

SOIL/SITE EVALUATION
for ON-SITE WASTEWATER SYSTEM

Owner: _____

Applicant: _____

Address: _____

Date Evaluated: 3/11/08

Proposed Facility: 3 BEDROOM HOME Design Flow (.1949): 360 gpd

Property Size: 3/11/08

Location of Site: _____

Property Recorded: 3/27/08

Water Supply: Public Individual Well Spring Other
 Evaluation Method: Auger Boring Pit Cut
 Type of Wastewater: Sewage Industrial Process Mixed

P R O F I L E #	.1940 Landscape Position/ Slope%	Horizon Depth (IN.)	SOIL MORPHOLOGY .1941		OTHER PROFILE FACTORS				Profile Class & LTAR
			.1941 Structure/ Texture	.1941 Consistence Mineralogy	.1942 Soil Wetness/ Color	.1943 Soil Depth (IN.)	.1956 Sapro Class	.1944 Restr Horiz	
1	FS 2.5%	0-10"	G LS	VF2 NS/VP					US
		10"	M C/C2	F1 S/P	10YR 8/1 @ 12"				
2		0-5"	G LS	VF2 NS/VP					US
		5"	M C	F1 S/P					
3		0-36"	G S	VF2 NS/VP					PS .8
		36"	SBK SCL	F2 S/P	10YR 7/2 @ 36"				
4		0-10"	G S	VF2 NS/VP					US
		10"	SBK SCL	F1 S/P	10YR 7/2 @ 20"				
5		0-12"	G S	VF2 NS/VP					PS .3
		12"	SBK SCL	F2 S/P	10YR 7/2 @ 28"				
6		0-10"	G S	VF2 NS/VP					US PS Fill
		10-22"	SBK SCL	F2 S/P	10YR 7/2 @ 22"				

Description	Initial System	Repair System
Available Space (.1945)	✓	✓
System Type(s)	US SBR SYSTEM ACCEPTED	FILL
Site LTAR	.25	.01

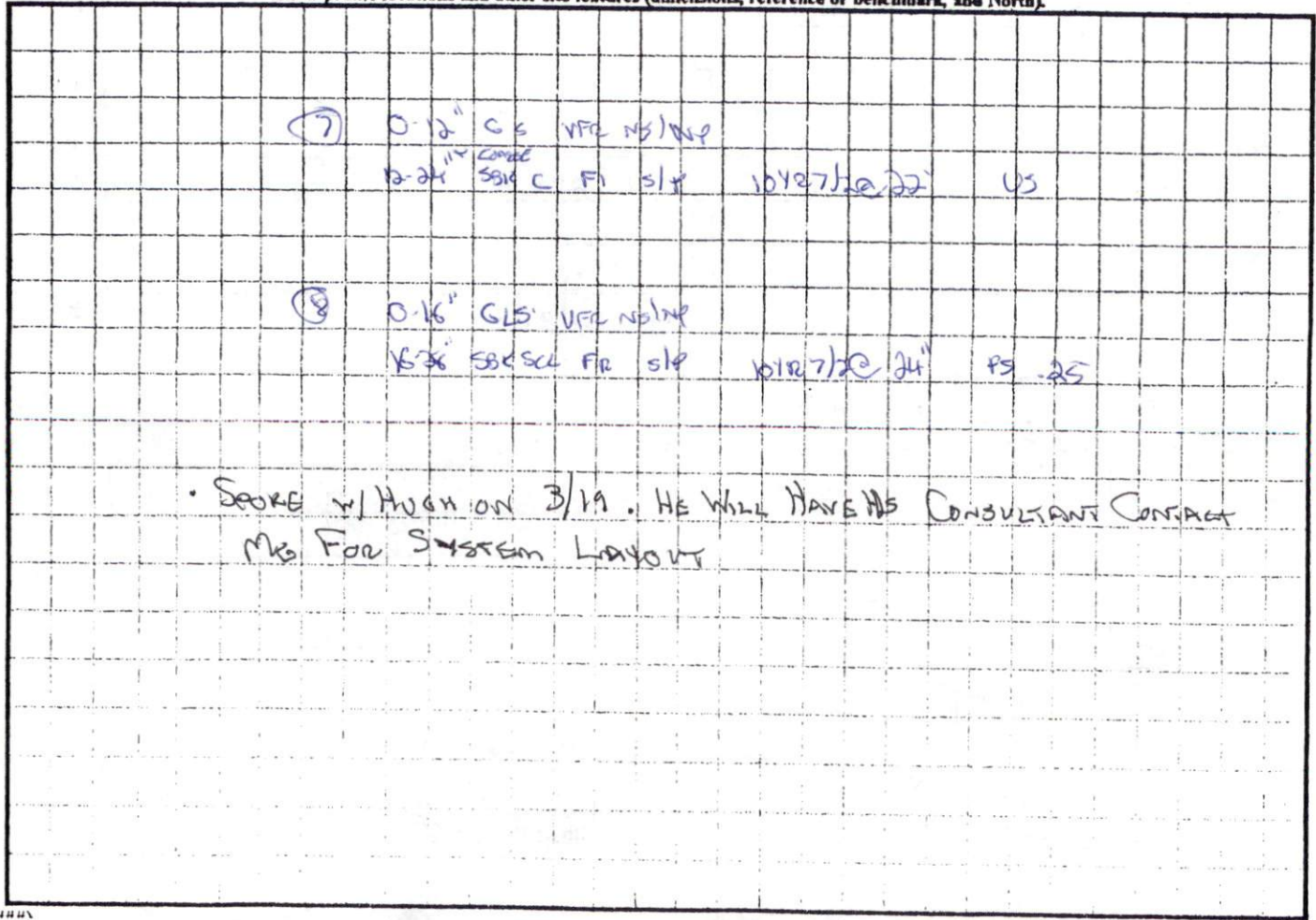
Other Factors (.1946): _____
 Site Classification (.1948): PS
 Evaluated By: OT
 Others Present: _____
 SEE ATTACHED PROPOSAL
 BY APPLICANTS CONSULTANT

COMMENTS: _____

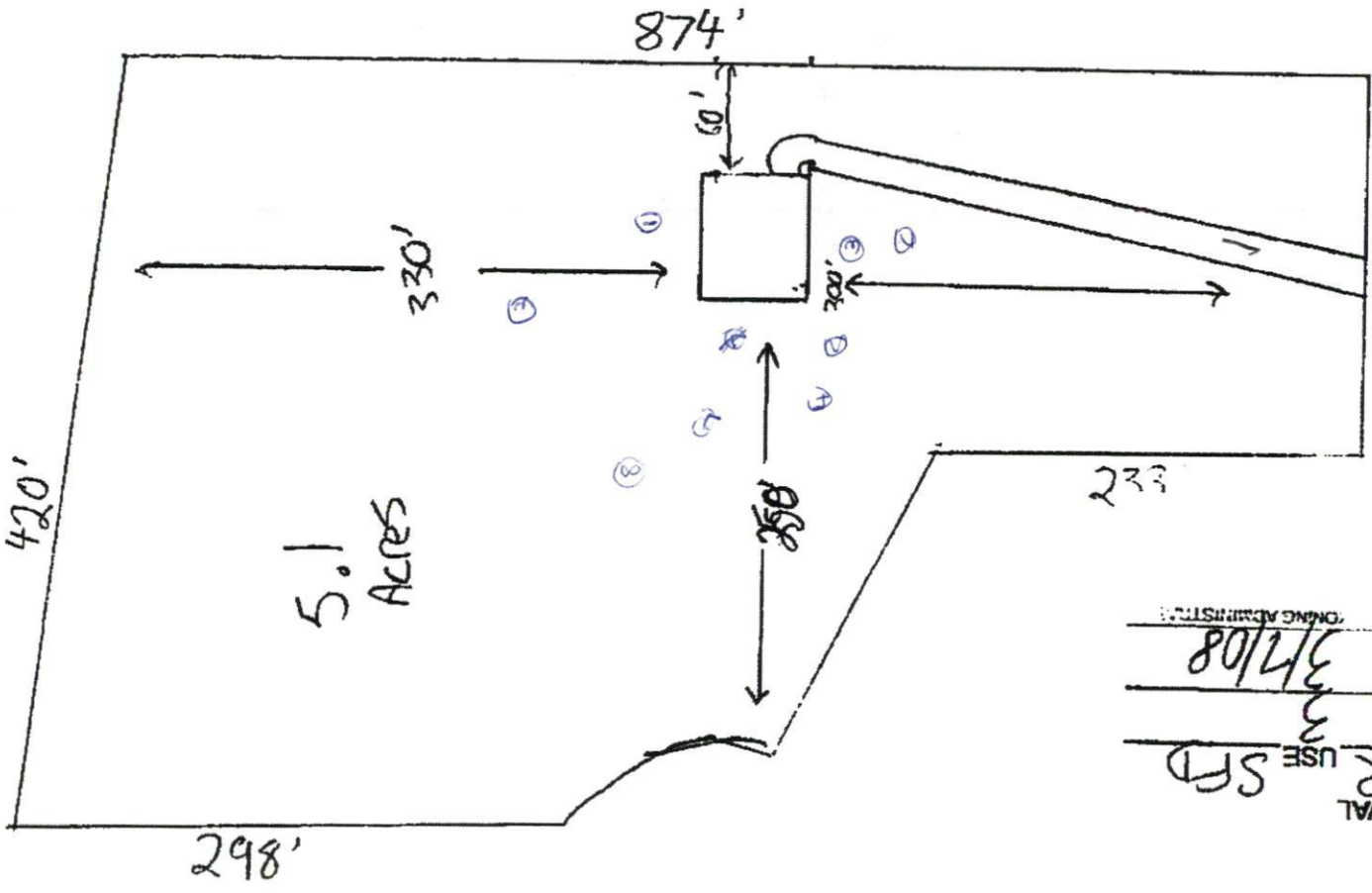
LANDSCAPE POSITIONS	GROUP	TEXTURES	.1955 LTAR	CONSISTENCE MOIST	WET
R-RIDGE	I	S-SAND	1.2 - 0.8	VFR-VERY FRIABLE FR-FRIABLE	NS-NON-STICKY SS-SLIGHTLY STICKY
S-SHOULDER SLOPE		LS-LOAMY SAND			
L-LINEAR SLOPE	II	SL-SANDY LOAM	0.8 - 0.6	FI-FIRM VFI-VERY FIRM	S-STICKY VS-VERY STICKY
FS-FOOT SLOPE		L-LOAM			
N-NOSE SLOPE	III	SI-SILT-	0.6 - 0.3	EFI-EXTREMELY FIRM	NP-NON-PLASTIC SP-SLIGHTLY STICKY P-PLASTIC VP-VERY PLASTIC
H-HEAD SLOPE		SIL-SILT LOAM			
CC-CONCLAVE SLOPE		CL-CLAY LOAM			
CV-CONVEX SLOPE		SCL-SANDY CLAY LOAM			
T-TERRACE		SICL-SILTY CLAY LOAM			
FP-FLOOD PLAN	IV	SIC-SILTY CLAY	0.4 - 0.1		
		C-CLAY			
		SC-SANDY CLAY			

<u>STRUCTURE</u>	<u>MINERALOGY</u>
SG-SINGLE GRAIN	SLIGHTLY EXPANSIVE
M-MASSIVE	
CR-CRUMB	EXPANSIVE
GR-GRANULAR	
SBK-SUBANGULAR BLOCKY	
ABK-ANGULAR BLOCKY	
PL-PLATY	
PR-PRISMATIC	

Show profile locations and other site features (dimensions, reference or benchmark, and North).



SCALE
1" = 100'



PLANNING APPROVAL
PROJECT: RAZOR
USE: SFD
ADDITIONAL APPROVALS
DATE: 3/7/08
ADMINISTRATOR: [Signature]