

Improvement Permit

A building permit cannot be issued with only an Improvement Permit

ISSUED TO: JASON PRICE CONT. PROPERTY LOCATION: 1115
 SUBDIVISION CRESTVIEW LOT # 212
 NEW REPAIR EXPANSION Site Improvements required prior to Construction Authorization Issuance:
 Type of Structure: SFD 57x41-3BR
 Proposed Wastewater System Type: 25% Reduction system
 Projected Daily Flow: 360' GPD
 Number of bedrooms: 3 Number of Occupants: 6 max
 Basement Yes No
 Pump Required: Yes No May be required based on final location and elevations of facilities
 Type of Water Supply: Community Public Well Distance from well 50 feet Permit valid for: Five years
 Permit conditions: STUB OUT PLUMBING SHALLOW, AT GROUND LEVEL OR HIGHER No expiration
AND WHERE SHOWN AND IF 18" DITCH DEPTHS CAN BE MAINTAINED THEN PUMP
MAY NOT BE REQUIRED - MEET ON SITE FOR FINAL LAYOUT

Authorized State Agent: Ju WANI Date: 08-23-07 SEE ATTACHED SITE SKETCH
 The issuance of this permit by the Health Department in no way guarantees the issuance of other permits. The permit holder is responsible for checking with appropriate governing bodies in meeting their requirements. This site is subject to revocation if the site plan, plat, or the intended use changes. The Improvement Permit shall not be affected by a change in ownership of the site. This permit is subject to compliance with the provisions of the Laws and Rules for Sewage Treatment and Disposal and to conditions of this permit.

Construction Authorization

(Required for Building Permit)

The construction and installation requirements of Rules .1950, .1952, .1954, .1955, .1956, .1957, .1958, and .1959 are incorporated by references into this permit and shall be met. Systems shall be installed in accordance with the attached system layout.

ISSUED TO: JASON PRICE CONT. PROPERTY LOCATION: 1115
 SUBDIVISION CRESTVIEW LOT # 212
 Facility Type: SFD-57x41-3BR New Expansion Repair
 Basement? Yes No Basement Fixtures? Yes No
 Type of Wastewater System** 25% Reduction Sys. (Initial) Wastewater Flow: 360 GPD
 (See note below, if applicable 360' LF of LSP (Repair))

Installation Requirements/Conditions

Septic Tank Size 1000 gallons Exact length of each trench 1x300 feet Trench Spacing: 9 Feet on Center
 Pump Tank Size 1000 gallons Trenches shall be installed on contour at a Soil Cover: 6 inches
 IF Needed Maximum Trench Depth of: 18 inches (Maximum soil cover shall not exceed 36" above the trench bottom)
 Pump Requirements: _____ ft. TDH vs. _____ GPM Aggregate Depth: _____ inches below pipe
 Conditions: _____ inches above pipe
 _____ inches total

****If applicable:** *I understand the system type specified is different from the type specified on the application. I accept the specifications of this permit.*

Owner/Legal Representative Signature: _____ Date: _____

This Construction Authorization is subject to revocation if the site plan, plat, or the intended use changes. The Construction Authorization shall not be transferred when there is a change in ownership of the site. This Construction Authorization is subject to compliance with the provisions of the Laws and Rules for Sewage Treatment and Disposal and to the conditions of this permit.

Authorized State Agent: Ju WANI Date: 08-23-07 SEE ATTACHED SITE SKETCH
 Construction Authorization Expiration Date: 08-23-2012

HTE# 07-50018087R

Permit # 24279

Harnett County Department of Public Health Site Sketch

PROPERTY LOCATOR: 1115

ISSUED TO: Jason Price Const.

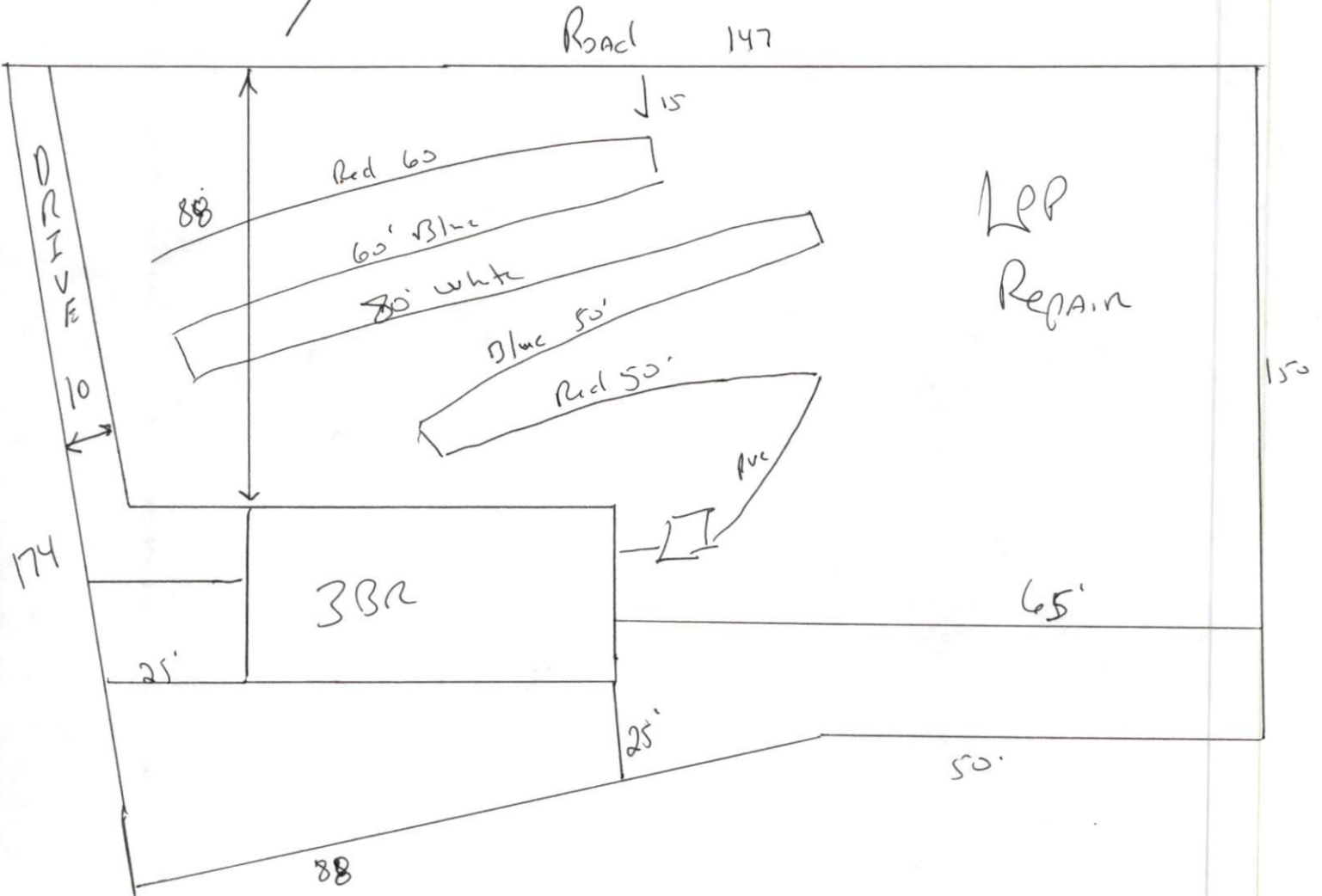
SUBDIVISION: Crestview Est

LOT # 212

Authorized State Agent:

Jo LARS

Date: 08-23-07



STUB out Plumbing shallow, at ground level or higher where shown. maintain ALL set BACKS meet onsite for Final Layout. Install 1x300 of 25% Reduction System AT 18"