

November 30, 2004

Harnett County Health Department
PO Box 09
Lillington, N.C. 27546

Re: Final recommendations, Lots 50 - 100, Woodshire Subdivision (Phase 3), Silver Oaks Drive, Harnett County, North Carolina

To whom it may concern,

A preliminary soils investigation has been completed for each of the above referenced lots. The property is located on Silver Oaks Drive as shown on the accompanying map. The purpose of the investigation was to determine the ability of the soil to support any subsurface waste disposal systems for each proposed lot. All ratings and determinations were made in accordance with "Laws and Rules for Sanitary Sewage Collection, Treatment, and Disposal, 15A NCAC 18A .1900".

Each lot appears to contain at least one area that meets minimum criteria for subsurface waste disposal systems for at least a 3 bedroom home (may include the use of conventional, gravelless drainlines, low pressure pipe, pumps, fill, large diameter pipe, french drains, pretreatment, etc.). Soil characteristics in the usable area were dominantly provisionally suitable to at least 24 inches (including .1940, .1941, .1942, .1943, .1944 and .1945). A soil map indicating typical soil areas that meet these criteria is enclosed. Each of the lots appears to contain sufficient available space for a repair area for at least a 3 bedroom home (may include the use of LPP, PPBPS, infiltrator, fill, sand filter, etc.).

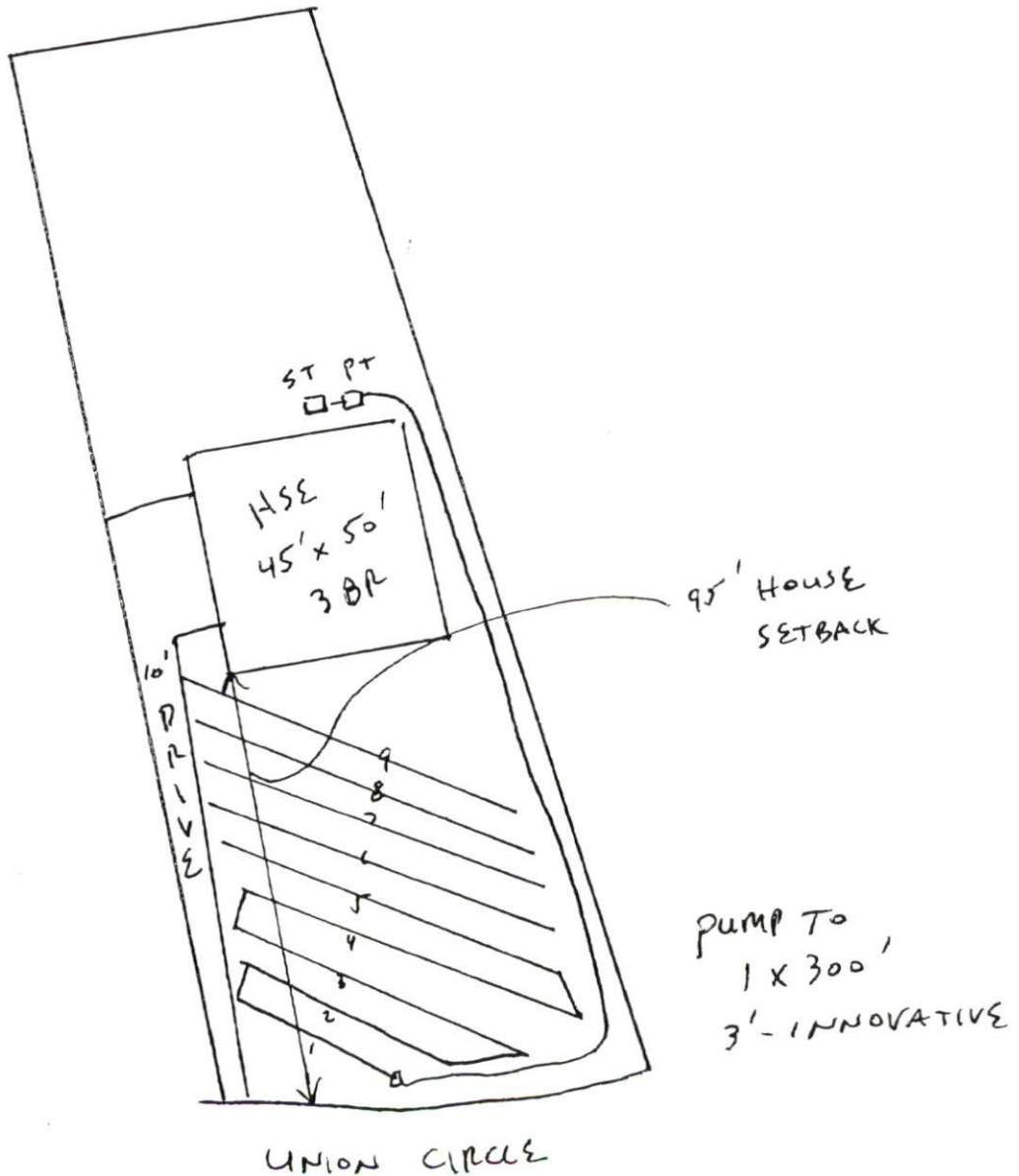
Because of small lots, particular house placement may be required on some lots (which may not be in line with other houses). Further, any or all lots may require specific design/layout on our part prior to action by the local health department due to space and soil considerations (at separate cost to client).

Southeastern Soil & Environmental Associates, Inc.

P.O. Box 9321
Fayetteville, NC 28311
Phone/Fax (910) 822-4540

WOODSHIRE

Lot 77
#11502



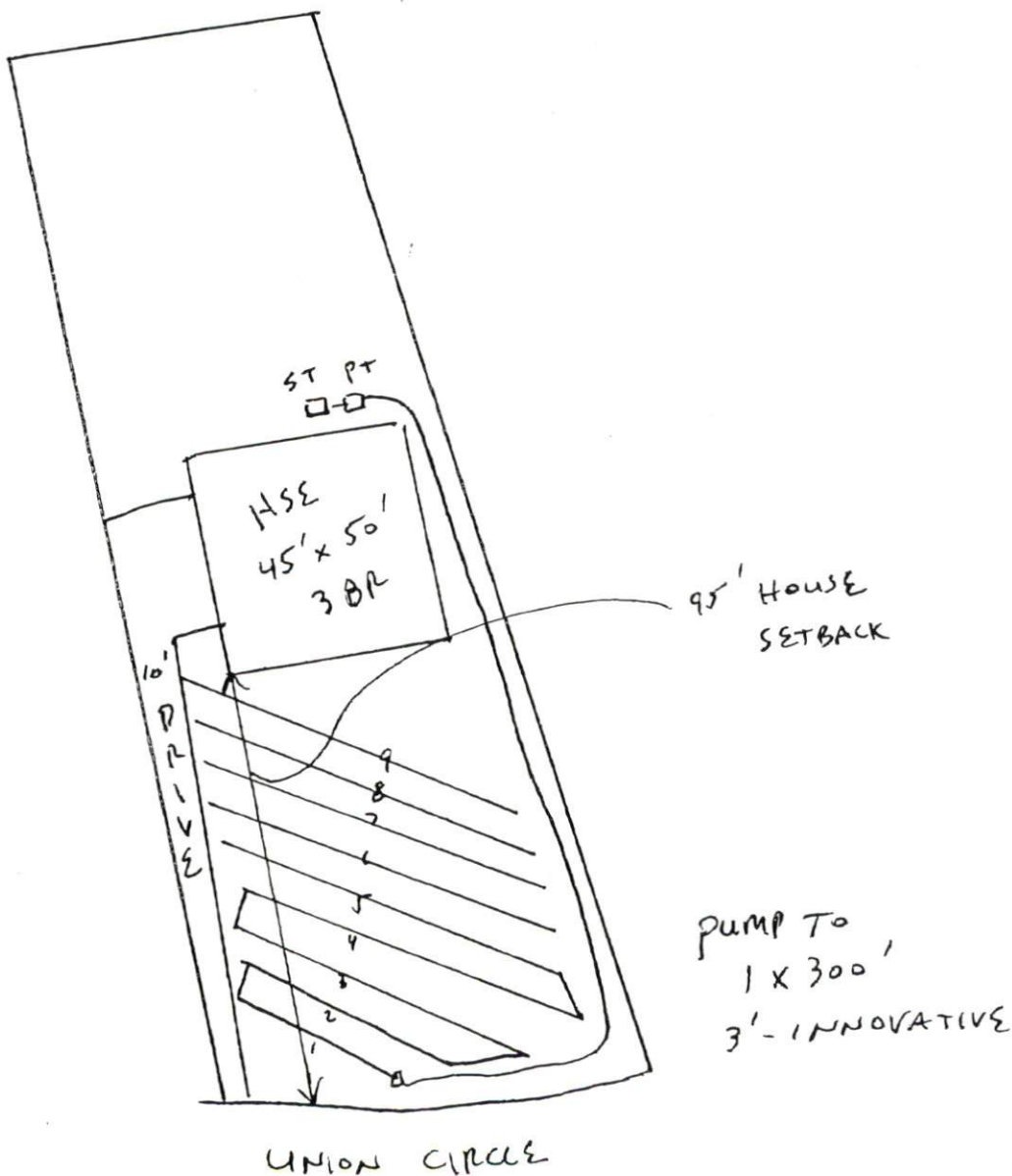
Mar 30 05 08:48a michael eaker 9108224540 p. 1

Southeastern So. & Environmental Associates, Inc.

P.O. Box 9321
Fayetteville, NC 28311
Phone/Fax (910) 822-4540

WOODSHIRE

Lot 77



SOUTHEASTERN SOIL & ENVIRONMENTAL ASSOC., INC.

PROPOSED SUBSURFACE WASTE DISPOSAL SYSTEM DETAIL SHEET

SUBDIVISION WOODSHIRE LOT 77

INITIAL SYSTEM PUMP TO INNOVATIVE REPAIR SYSTEM PUMP TO INNOVATIVE

BENCHMARK ELEV. 100.0 LOCATION Front corner 77/78

TYPE OF DISTRIBUTION pump to O-box

CTAR = 0.3 gpd / ft²

LINE	ELEVATION	LENGTH	FLAG COLOR
1	98.42	40'	O
2	97.25	50'	B
3	96.84	65'	W
4	96.58	90'	R
5	96.00	55'	O
6	95.58	80'	B
7	95.25	80'	W
8	94.75	80'	R
9	94.25	60'	O

Friction

BY M Eaker DATE 03/2005

FLAG COLOR: Y = YELLOW R = RED W = WHITE B = BLUE O = ORANGE P = PINK