

42224



235 Anthony Grove road
Crouse, NC 28033
direct 704 483 5511
toll free 800 951 5511
facsimile 704 483 0905
www.r-anell.com

To Whom It May Concern:

3/9/2018

RV105-A6
Serial number: 41232
Customer: Brown

This letter is to confirm that Truss CCB37709 from the permit package is to be replaced with truss # CCB3711.

Sincerely,

A handwritten signature in black ink, appearing to read "Jonathan Reed", written over a large, stylized, loopy flourish.

Jonathan Reed
Engineering
R-Anell Housing Group, LLC

Job 91192	Truss CCB37711	Truss Type CAPE COD	Qty 1	Ply 1	Commodore 315 NC R41P9F (WITH BEARING AT OH 1 SIDE) Ref. #3157426
---------------------	--------------------------	-------------------------------	-----------------	-----------------	---

Universal Forest Products Inc., Grand Rapids, MI 49525, Weston Gorbay 8.130 e Dec 12 2017 MiTek Industries, Inc. Thu Mar 8 10:48:52 2018 Page 1 of 2
Copyright © 2018 Universal Forest Products, Inc. All Rights Reserved

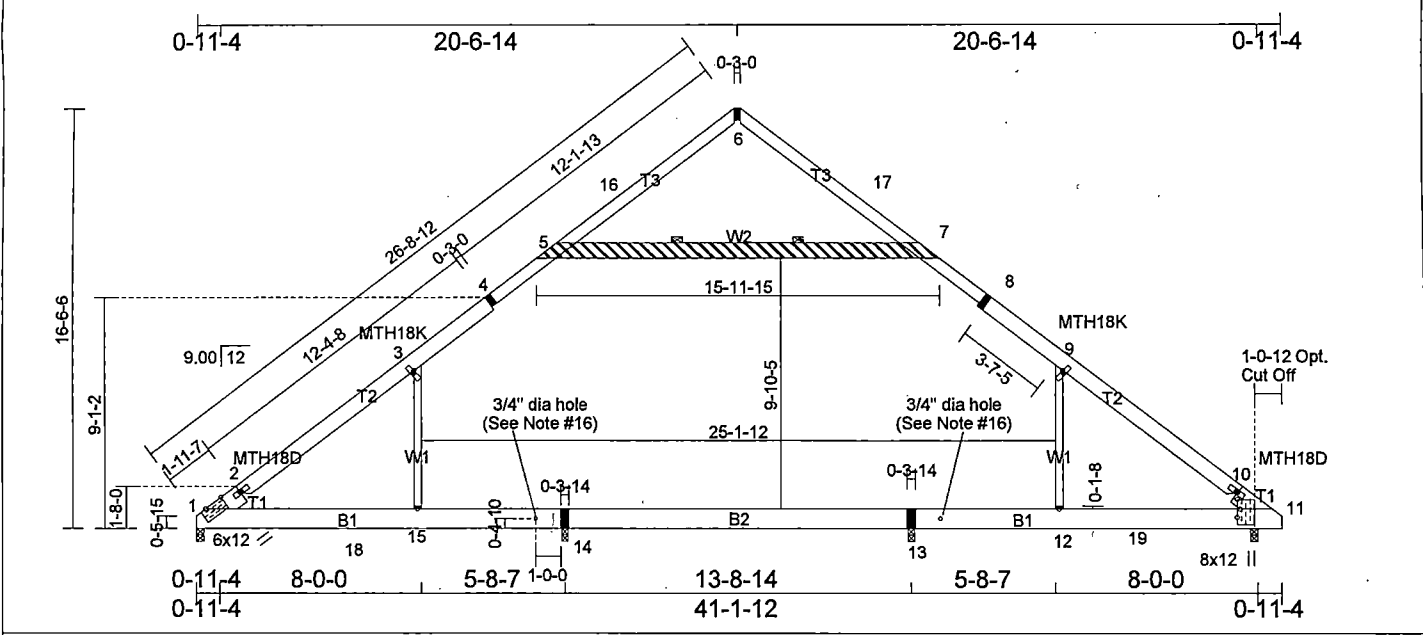


Plate Offsets (X,Y)- [1:0-9-3,0-0-0], [2:0-0-11,0-0-0], [3:0-0-11,0-1-2], [9:0-0-11,0-1-2], [10:0-0-11,0-0-0], [11:0-1-3,0-4-0], [11:0-4-10,0-1-3]

SPACING:- 2-0-0 LOADING (psf) TCLL 23.1 (Ground Snow=30.0) TCDL 7.0 BCLL 0.0 BCDL 10.0	SPACING:- 1-4-0 LOADING (psf) TCLL 34.7 (Ground Snow=45.0) TCDL 10.5 BCLL 0.0 BCDL 15.0	SPACING- 2-0-0 Plate Grip DOL 1.15 Lumber DOL 1.15 Rep Stress Incr YES Code IBC2009/TPI2007	CSI. TC 0.94 BC 0.62 WB 0.52 Matrix-R	DEFL. in (loc) l/defl L/d Vert(LL) 0.60 1-15 >288 240 Vert(TL) -0.55 1-15 >315 180 Horz(TL) 0.02 11 n/a n/a Attic -0.31 14-15 452 360	PLATES GRIP MT20 137/130 MT18HS 137/130 Weight: 277 lb FT = 0%
--	---	--	--	---	---

LUMBER- TOP CHORD 1-1/2X9-1/4 LP-LSL TC 1.75E *Except* T2: 2x8 SP No.1 or 2x8 SPF No.2 T3: 2x6 SP No.1 or 2x6 SPF No.2 BOT CHORD 2x10 SP DSS WEBS 2x4 SP No.2 or 2x4 SPF No.2 *Except* W2: 2x8 SP No.2 or 2x8 SPF No.2	BRACING- TOP CHORD Structural wood sheathing directly applied or 2-2-0 oc purlins. BOT CHORD Rigid ceiling directly applied or 5-3-12 oc bracing. WEBS 2 Rows at 1/3 pts 5-7
---	--

REACTIONS. (lb/size) 1=1331/0-3-8 (min. 0-2-1), 11=1345/0-3-8 (min. 0-2-2), 14=510/0-3-0 (min. 0-1-8), 13=420/0-3-0 (min. 0-1-8)
Max Horz 1=-1083(LC 7)
Max Uplift 1=-1011(LC 9), 11=-1018(LC 9), 14=-471(LC 9), 13=-435(LC 7)
Max Grav 1=1331(LC 1), 11=1345(LC 1), 14=1256(LC 13), 13=1206(LC 13)

FORCES. (lb) - Maximum Compression/Maximum Tension
TOP CHORD 1-2=-1489/1126, 2-3=-1304/1140, 3-4=-1357/1413, 4-5=-1166/1433, 5-16=-459/350, 6-16=-347/370, 6-17=-340/371, 7-17=-465/351, 7-8=-1166/1432, 8-9=-1357/1412, 9-10=-1304/1121, 10-11=-1375/1113
BOT CHORD 1-18=-645/1057, 15-18=-645/1057, 14-15=-640/1055, 13-14=-640/1055, 12-13=-640/1055, 12-19=-642/1057, 11-19=-642/1057
WEBS 9-12=-534/900, 3-15=-564/930, 5-7=-874/1420

REQUIRED FIELD JOINT CONNECTIONS - Maximum Compression (lb)/ Tension (lb)/ Shear (lb)/ Moment (lb-in)
4=1256/1421/261/0, 5=885/1432/72/0, 6=272/373/316/0, 7=888/1436/72/0, 8=1255/1421/241/0, 12=534/900/0/0, 13=640/1055/687/0, 14=640/1055/687/0, 15=564/930/0/0



The professional engineering seal indicates that a licensed professional has reviewed the design under the standards referenced within this document, not necessarily the current state building code. The engineering seal is not an approval to use in a specific state. The final determination on whether a truss design is acceptable under the locally adopted building code rest with the building official or designated appointee.

WARNING - Verify design parameters and READ NOTES Universal Forest Products, Inc. 2801 EAST BELTLINE RD, NE GRAND RAPIDS, MI 49525
PHONE (616)-364-6161 FAX (616)-365-0060

Truss shall not be cut or modified without approval of the truss design engineer.
This component has only been designed for the loads noted on this drawing. Construction and lifting forces have not been considered. The builder is responsible for lifting methods and system design. Builder responsibilities are defined under TPI1. This design is based only upon parameters shown, and is for an individual building component to be installed and loaded vertically. Applicability of design parameters and proper incorporation of component is responsibility of building designer - not truss designer. Bracing shown is for lateral support of individual web members only. Additional temporary bracing to insure stability during construction is the responsibility of the erector. Additional permanent bracing of the overall structure is the responsibility of the building designer. For general guidance regarding fabrication, quality control, storage, delivery, erection and bracing, consult BCSI 1-06 from the Wood Truss Council of America and Truss Plate Institute Recommendation available from WTCA, 6300 Enterprise LN, Madison, WI 53719 J:\support\MitekSupp\templates\ufp.tpe

Job 91192	Truss CCB37711	Truss Type CAPE COD	Qty 1	Ply 1	Commodore 315 NC R41P9F (WITH BEARING AT OH 1 SIDE) Ref. #3157426
--------------	-------------------	------------------------	----------	----------	---

Universal Forest Products Inc., Grand Rapids, MI 49525, Weston Gorby 8.130 e Dec 12 2017 MiTek Industries, Inc. Thu Mar 8 10:48:52 2018 Page 2 of 2

Copyright © 2018 Universal Forest Products, Inc. All Rights Reserved

NOTES:

- 1) Wind: ASCE 7-05; 130mph @24in o.c.; TCDL=2.8psf; BCDL=4.0psf; (Alt. 150mph @16in o.c.; TCDL=4.2psf; BCDL=6.0psf); h=30ft; Cat. II; Exp C; enclosed; MWFRS (low-rise) gable end zone and C-C Exterior(2) zone; cantilever right exposed ;C-C for members and forces & MWFRS for reactions shown; Lumber DOL=1.60 plate grip DOL=1.60
- 2) TLL: ASCE 7-05; Pg=30.0 psf (ground snow); Ps=23.1 psf (roof snow); Category II; Exp C; Partially Exp.; Ct=1.1
- 3) Roof design snow load has been reduced to account for slope.
- 4) Unbalanced snow loads have been considered for this design.
- 5) This truss has been designed for basic load combinations, which include cases with reductions for multiple concurrent live loads.
- 6) All plates are MT20 plates unless otherwise indicated.
- 7) See HINGE PLATE DETAILS for plate placement.
- 8) Provisions must be made to prevent lateral movement of hinged member(s) during transportation.
- 9) All additional member connections shall be provided by others for forces as indicated.
- 10) This truss has been designed for a 10.0 psf bottom chord live load nonconcurrent with any other live loads.
- 11) * This truss has been designed for a live load of 20.0psf on the bottom chord in all areas where a rectangle 3-6-0 tall by 2-0-0 wide will fit between the bottom chord and any other members, with BCDL = 10.0psf.
- 12) Ceiling dead load (5.0 psf) on member(s). 3-5, 7-9, 5-7
- 13) Bottom chord live load (40.0 psf) and additional bottom chord dead load (0.0 psf) applied only to room. 14-15, 13-14, 12-13
- 14) Provide mechanical connection (by others) of truss to bearing plate capable of withstanding 1011 lb uplift at joint 1, 1018 lb uplift at joint 11, 471 lb uplift at joint 14 and 435 lb uplift at joint 13.
- 15) This truss has been designed in accordance with the 2009 IBC Section 2303.4.6, 2009 IRC Section 802.10.2.
- 16) This truss design allows for the following max. bolt holes along the member c/lines spaced a min. of 0-6-0 apart: 0.750in in the bottom chord.
- 17) Attic room checked for L/360 deflection.
- 18) Take precaution to keep the chords in plane, any bending or twisting of the hinge plate must be repaired before the building is put into service.
- 19) The field-installed members are an integral part of the truss design. Retain a design professional to specify final field connections and temporary supports. All field-installed members must be properly fastened prior to applying any loading to the truss. This design anticipates the final set position.
- 20) Based on: CCB37709
- 21) Revision: Removed bottom chord scabs, added hole note.

The professional engineering seal indicates that a licensed professional has reviewed the design under the standards referenced within this document, not necessarily the current state building code. The engineering seal is not an approval to use in a specific state. The final determination on whether a truss design is acceptable under the locally adopted building code rest with the building official or designated appointee.

WARNING - Verify design parameters and READ NOTES

Truss shall not be cut or modified without approval of the truss design engineer.

This component has only been designed for the loads noted on this drawing. Construction and lifting forces have not been considered. The builder is responsible for lifting methods and system design. Builder responsibilities are defined under TPI1. This design is based only upon parameters shown, and is for an individual building component to be installed and loaded vertically. Applicability of design parameters and proper incorporation of component is responsibility of building designer - not truss designer. Bracing shown is for lateral support of individual web members only. Additional temporary bracing to insure stability during construction is the responsibility of the erector. Additional permanent bracing of the overall structure is the responsibility of the building designer. For general guidance regarding fabrication, quality control, storage, delivery, erection and bracing, consult BCSI 1-06 from the Wood Truss Council of America and Truss Plate Institute Recommendation available from WTCA, 6300 Enterprise LN, Madison, WI 53719 J:\support\MitekSupp\templates\ufp.tpe

Universal Forest Products, Inc.
PHONE (616)-364-6161 FAX (616)-365-0060

2801 EAST BELTLINE RD, NE
GRAND RAPIDS, MI 49525

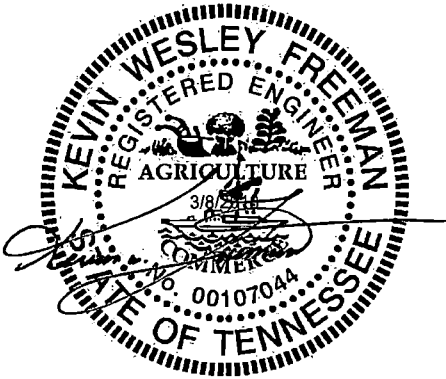




UNIVERSAL FOREST PRODUCTS, INC.

Job 91192	Truss CCB37711	Customer COMMODORE	MFG 315
--------------	-------------------	-----------------------	------------

The professional engineering seal indicates that a licensed professional has reviewed the design under the standards referenced within this document, not necessarily the current state building code. The engineering seal is not an approval to use a design in a specific state. The final determination on whether a truss design is acceptable under the locally adopted building code rest with the building official or designated appointee.



Corporate Engineering

2801 East Beltline, NE Grand Rapids, MI 49525-9736 (616) 364-6161 Fax (616) 365-0060

ufpi.com