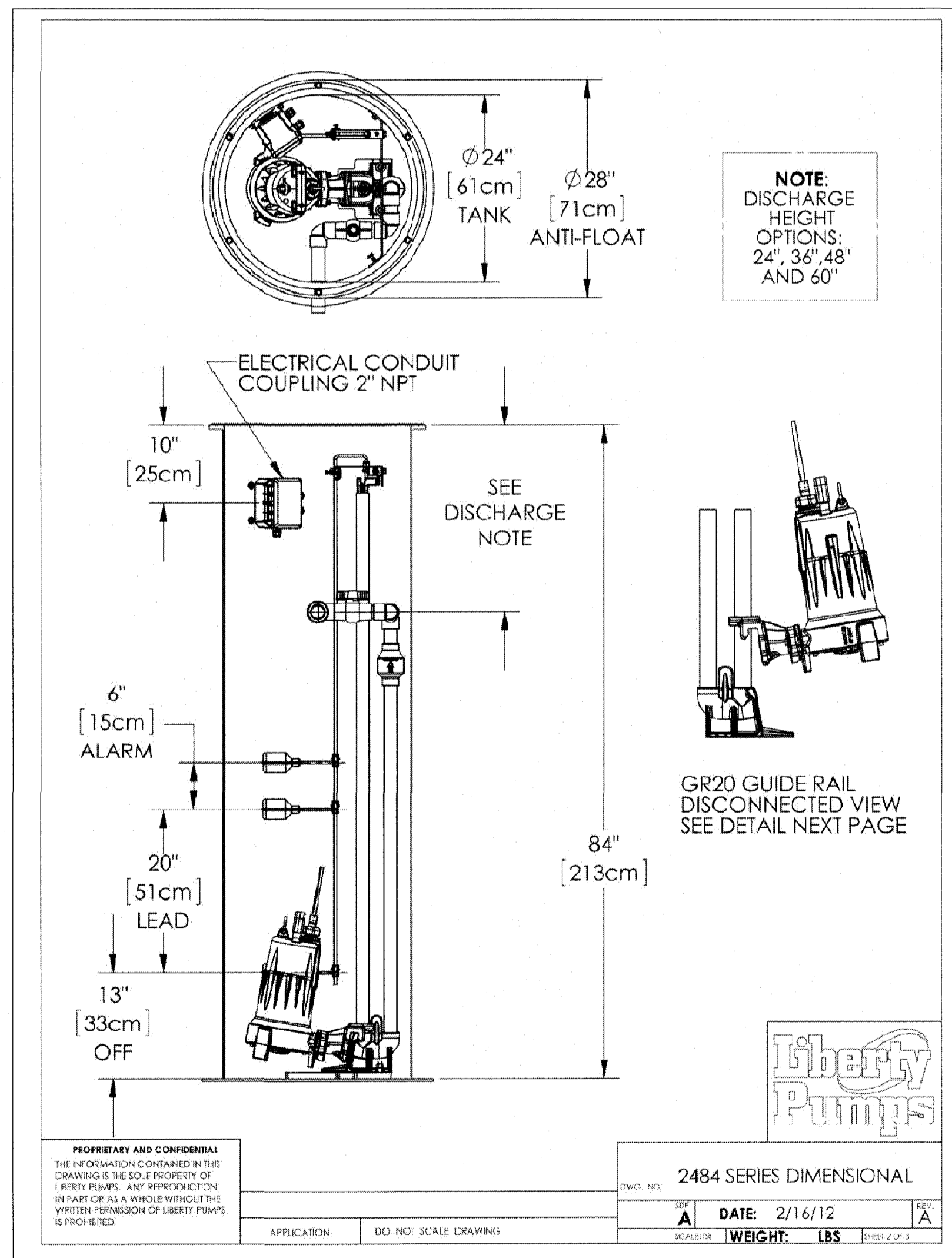
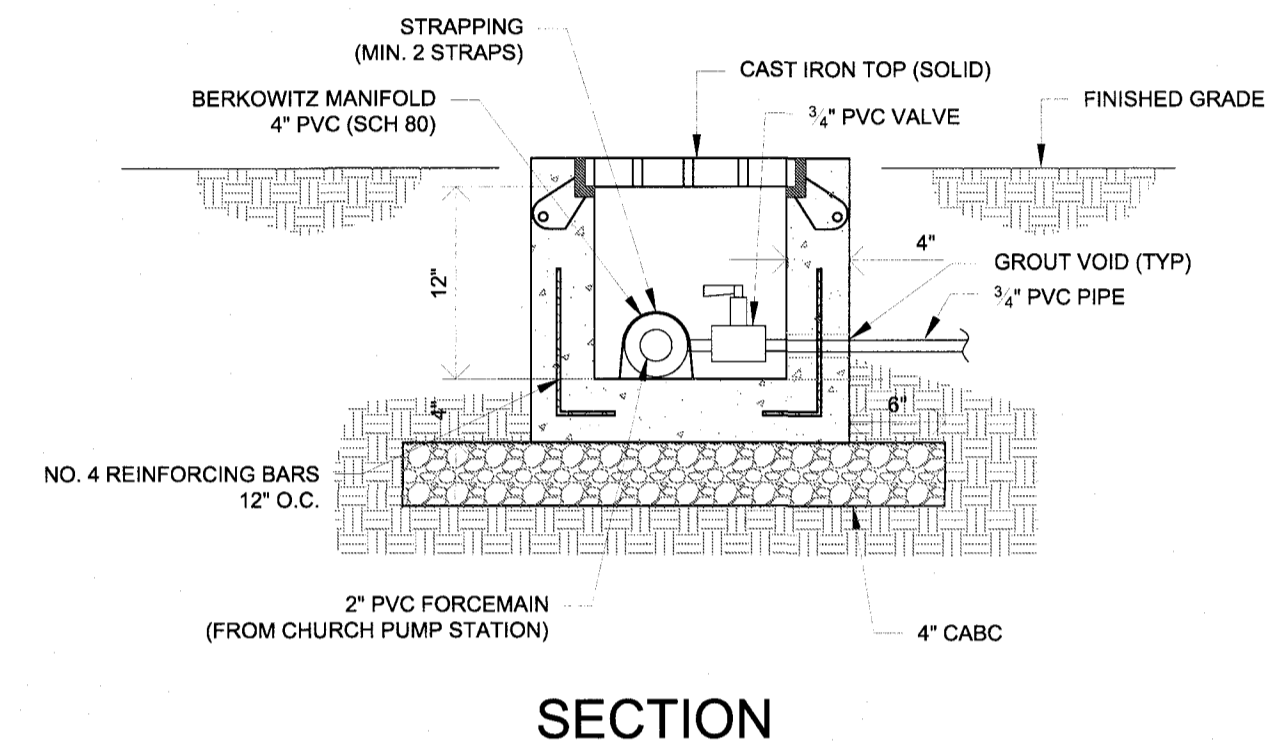
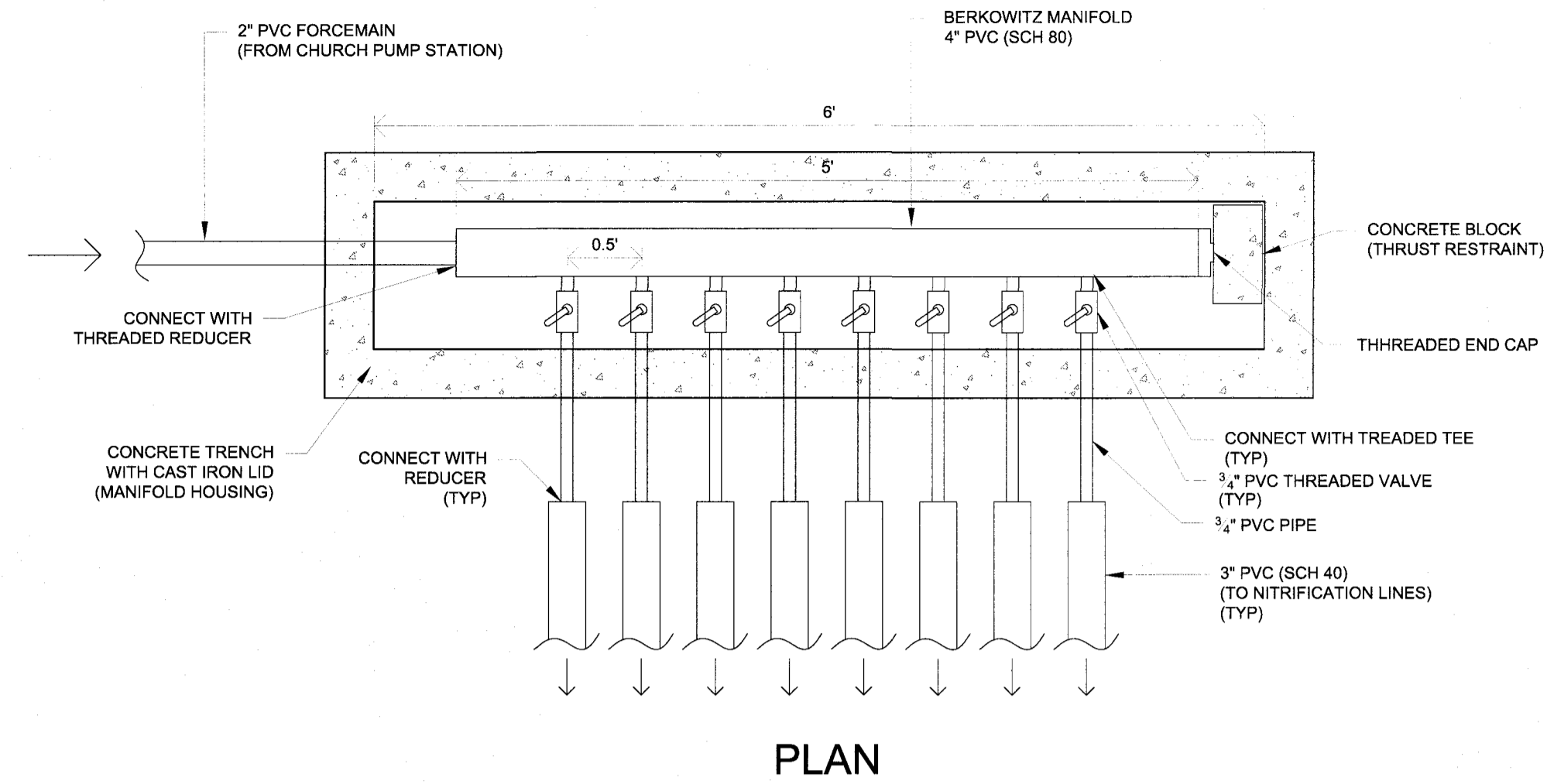


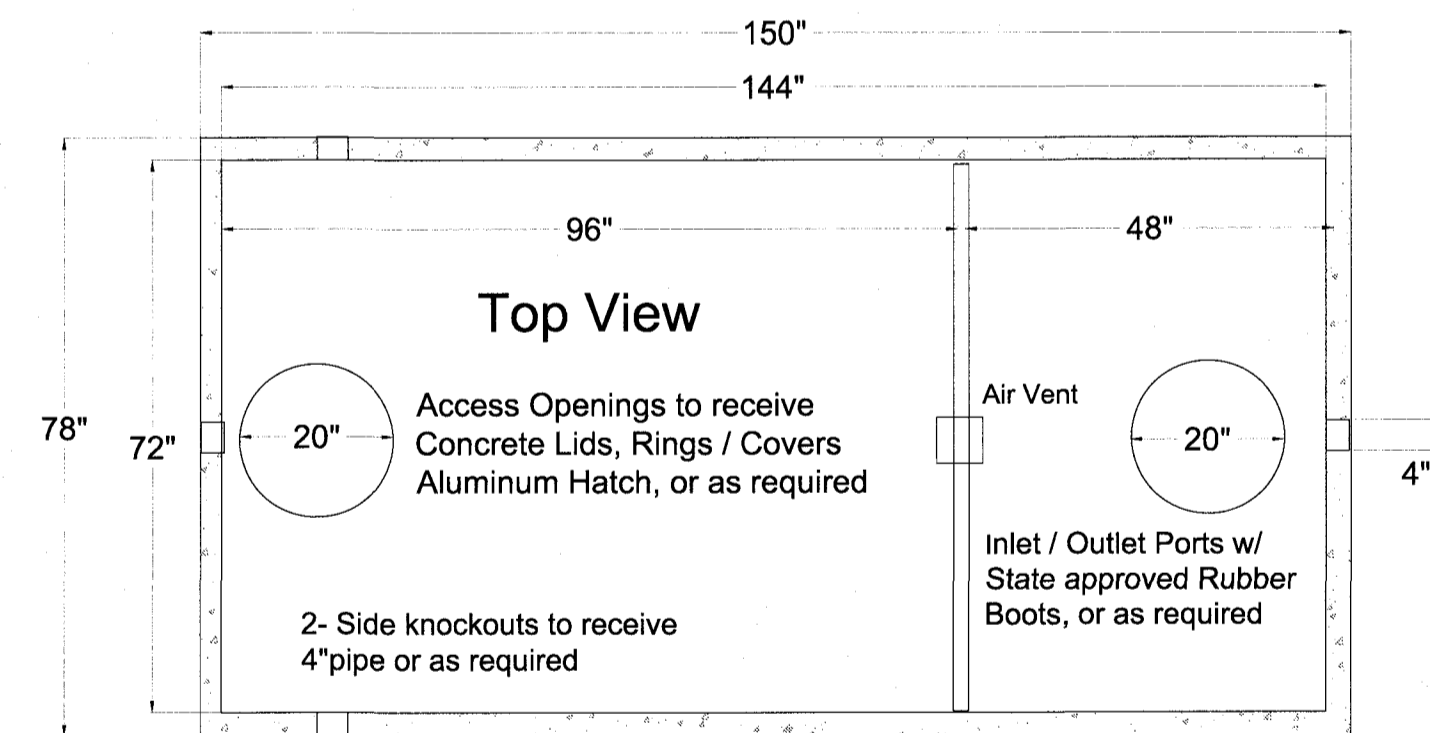
A-10 INFILTRATOR CHAMBER
 NTS



B-10 SEPTIC SYSTEM PUMP STATION
 NTS

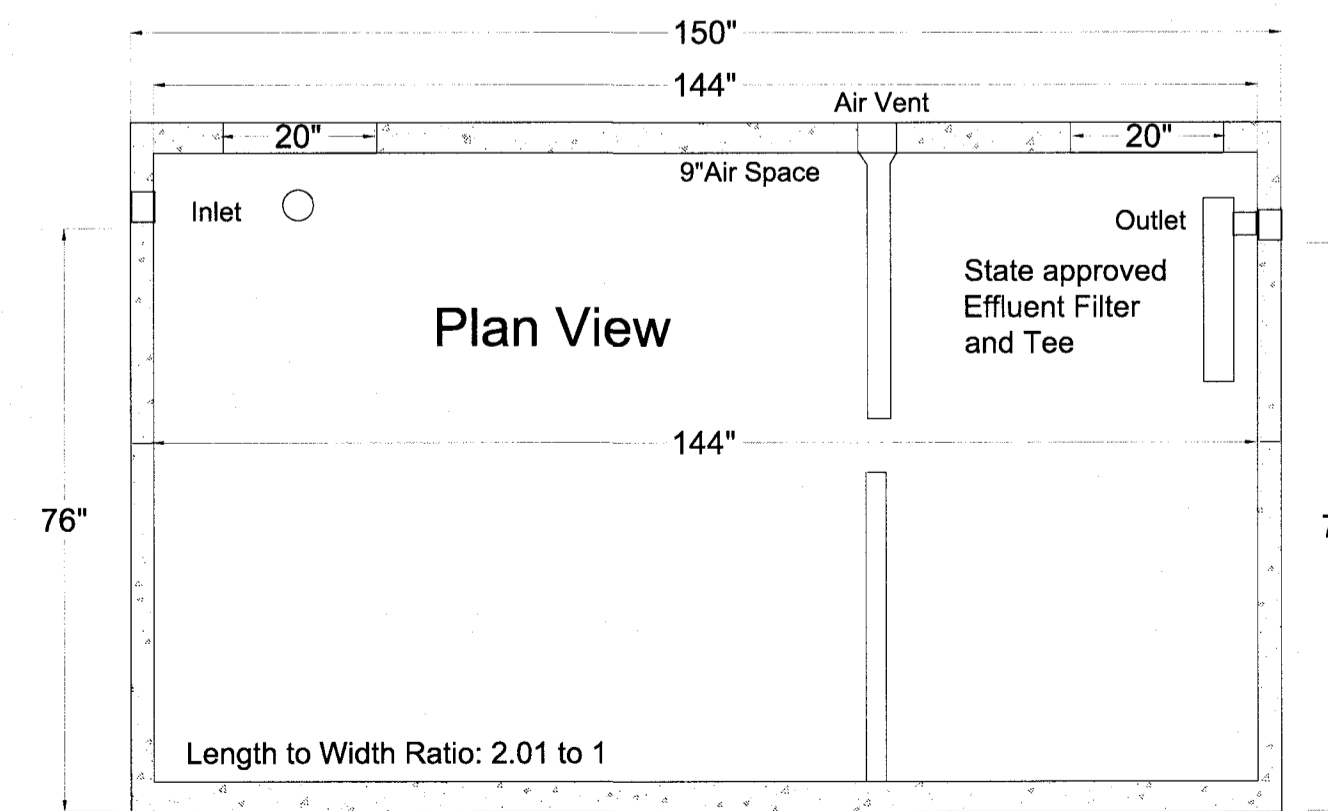
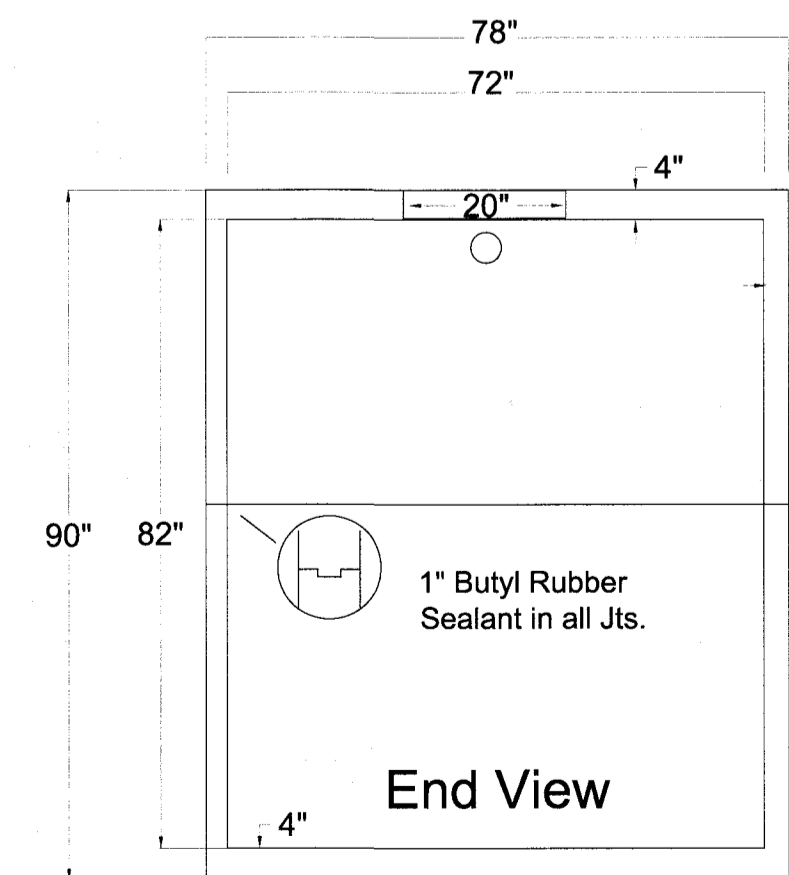


C-10 BERKOWITZ MANIFOLD
 NTS



STB - 349 Mid Seam
 Date: 8 - 14 - 97
 Non Traffic Rated
 Liquid Capacity 3141 Gallons
 Reinforcing Schedule: # 3 Grade 60 Rebar
 4500 PSI Concrete w/ State Approved Structural Fiber
 4.70 yds. *Est. Weight 18,000 lbs.*

Manufactured By:
Blackwelder Tank Service, Inc.
 121 Stanton Hill Rd.
 Carthage NC 28327
 Phone 919-718-5181
 Fax 919-775-2229
 blackwelder.tank.com

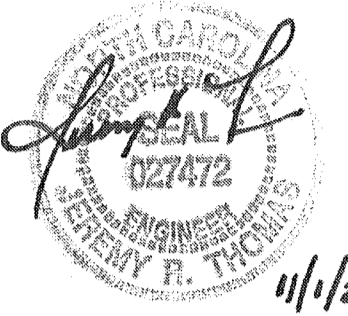


D-10 SEPTIC TANK
 NTS

J Thomas Engineering, Inc.

civil engineering • planning

143 Charlotte Avenue, Suite 104
 Sanford, North Carolina 27330
 (919) 777-6010 phone
 www.jthomasengineering.com
 license no. C-3389



PROFESSIONAL ENGINEER'S SEAL

GOURD SPRINGS CHURCH
NEW BUILDING ADDITION
 4575 RAY ROAD
 HARNETT COUNTY, NORTH CAROLINA

SEPTIC SYSTEM DETAILS

REVISIONS

12 JAN 2018: ADDED SEPTIC SYSTEM DESIGN, SHEETS C9 AND C10.

AGENCY REVIEW ONLY

Scale: NTS	Drawn by: JRT
Sheet: C10 of 10	Designed by: JRT
Project Number: 17-020	Reviewed by: JRT
Date: 01 NOV 2017	

RECEIVED
 JAN 16 2018

CONSTRUCTION SYSTEMS, INC.