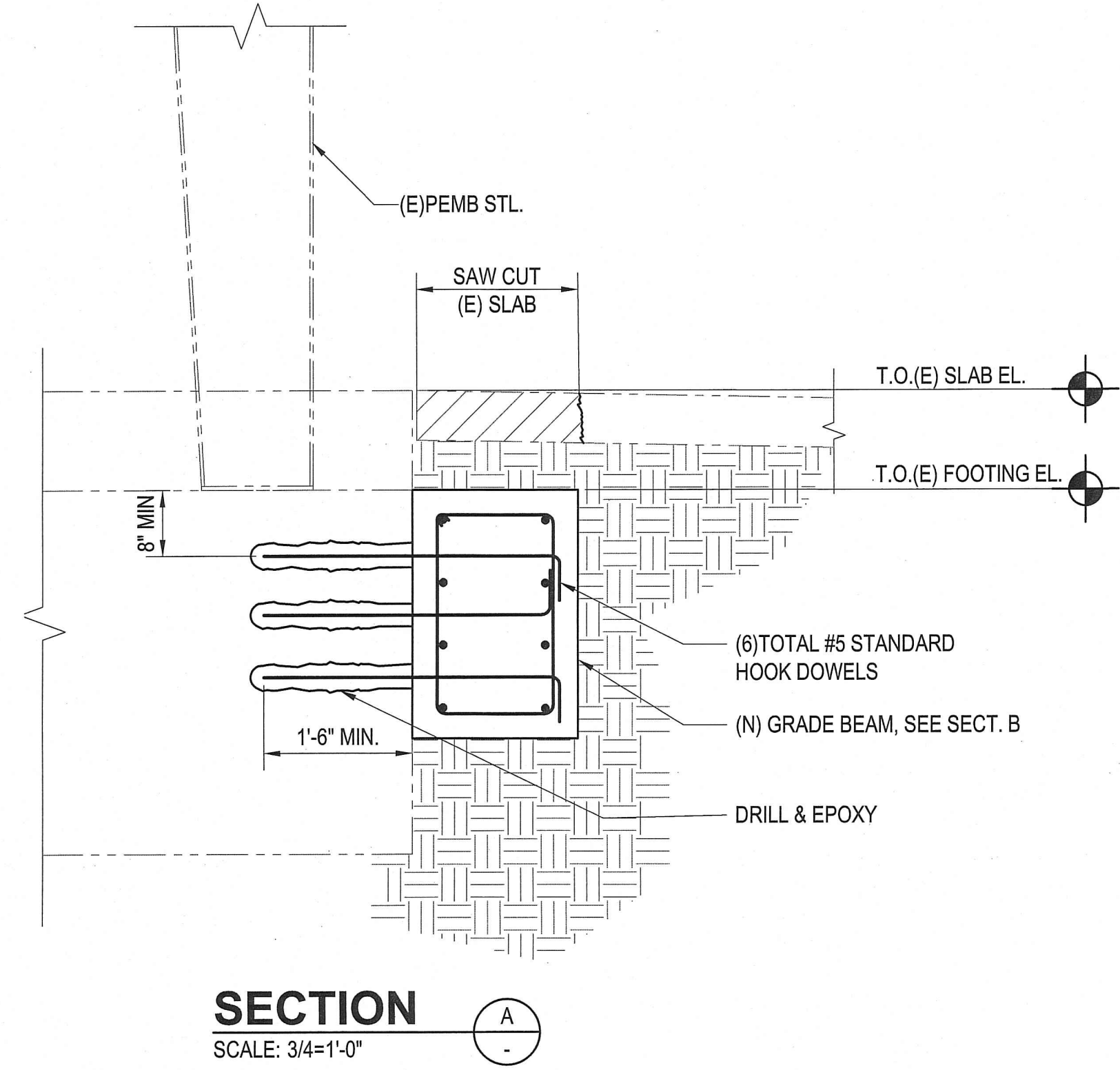
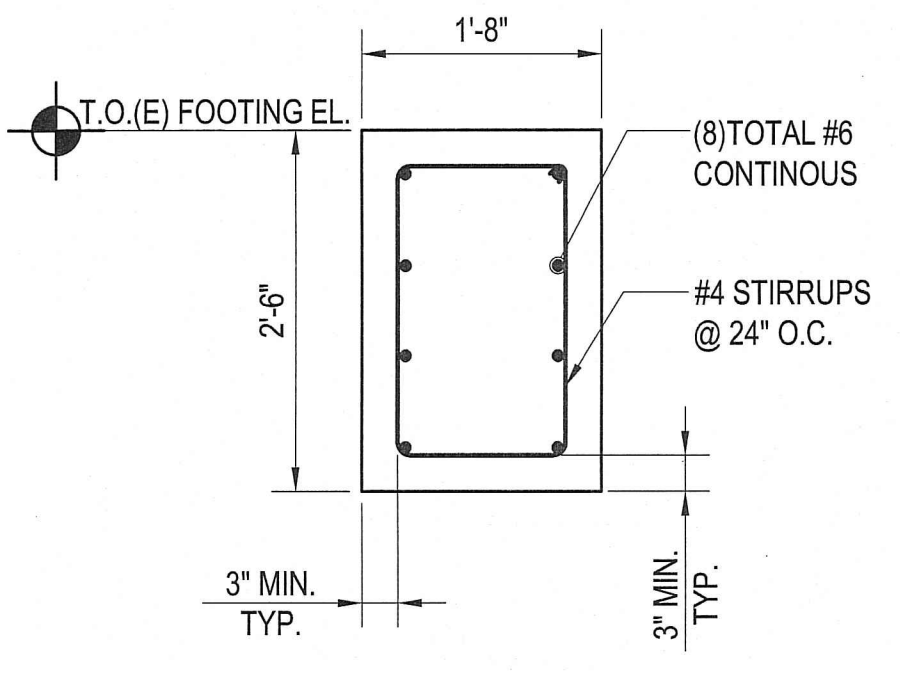


PARTIAL FOUNDATION PLAN
SCALE: 3/16"=1'-0"



SECTION A
SCALE: 3/4"=1'-0"



SECTION B
SCALE: 3/4"=1'-0"

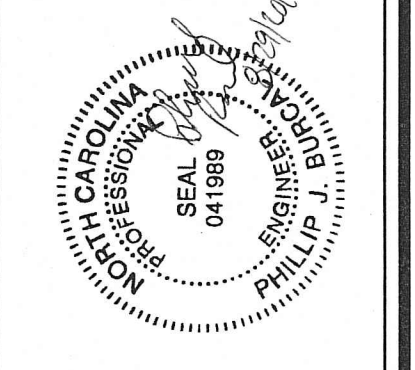
DRAWING NOTES:

- 1.) EXISTING FOUNDATION PLAN BASED UPON DRAWING OM0384, CAGLE FURNITURE STORE FOUNDATION PLAN AND DETAILS, SHEET 6 OF 10, BY JOHN C. CASTANES DATED 26 JULY, 2000.
- 2.) PRE-ENGINEERED BUILDING LOADS BASED UPON AMERICAN BUILDING COMPANY DRAWING 71557201 AB-2, REV. 0, DATED 19 JANUARY, 2001.
- 3.) SHOULD EXISTING CONDITIONS DIFFER FROM WHAT IS SHOWN ON PLAN, CONTACT ENGINEER.
- 4.) PRESENCE OF BURIED UTILITIES IS UNKNOWN, CONTRACTOR SHALL TAKE CARE IN EXCAVATION NOT TO DAMAGE EXISTING UTILITIES. CONTRACTOR SHALL OBTAIN UTILITIES LOCATE AS NECESSARY.
- 5.) GRADE BEAM DESIGNED TO TRANSFER LATERAL FOUNDATION LOADS AT A 30 DEGREE ANGLE FROM THE HORIZONTAL TO THE SOIL BENEATH THE NEW POOL. EXISTING FOUNDATION GRAVITY LOAD CAPACITY IS UNAFFECTED BY THE POOL WALL PROXIMITY.
- 6.) CODES: 2018 NC BUILDING CODE, ACI 318-14
- 7.) ASSUMED PASSIVE LATERAL EARTH PRESSURE IS 150 PSF/ FT DEPTH (NC BUILDING CODE TABLE 1806.2).
- 8.) CONCRETE SHALL HAVE A MINIMUM COMPRESSIVE STRENGTH OF 3000 PSI AT 28 DAYS.
- 9.) REINFORCING STEEL SHALL BE ASTM A615 GRADE 60. MINIMUM REINFORCING LAP LENGTH = 48". MINIMUM CONCRETE COVER IS 3".
- 10.) EPOXY SHALL BE HILTI HIT-RE 500V3. PERFORM HOLE CLEANING AND INSTALL IN ACCORDANCE WITH MANUFACTURER'S INSTALLATION REQUIREMENTS.

Drawing File: P:\2019\190334\Structural\Pool foundation geometry.dwg
 Plotted by: lex506
 Plotted Date: Aug 29, 2019 - 4:00pm

DEJENKINS
 CONSULTING ENGINEERS, PA
 OFFICE IN: BURKE SPRINGS, NORTH CAROLINA
 1582 MARTIN RD., FAYETTEVILLE, NC 28311-1002
 CORPORATION NUMBER C-3070 Budy@dejenkins.com
 910.822.1724 FAX 910.822.4616

ARCHITECTURE
 ENGINEERING
 CONSTRUCTION MANAGEMENT
 www.dejenkins.com
 11111 CARMEL COMMONS BLVD., CHARLOTTE, NC 28226
 CORPORATION NUMBER C-3840 PH: 704.734.0200
 704.734.0200 FAX: 704.734.0200



DESIGNED BY: P. BURCAL
 DRAWN BY: L. ECHEVARRIA
 CHECKED BY: P. BURCAL
 DATE: 29 AUG 2019

FINAL DRAWING [] FOR REVIEW PURPOSES ONLY
 PRELIMINARY [] FOR DESIGN DEVELOPMENT ONLY
 FINAL DRAWING [X] FOR CONSTRUCTION
 OWNER/TENANT: HARNETT COUNTY YMCA
 CONTRACTOR/BUILDER: RAY WEST
 PID-80-0000

PROJECT: HARNETT CO. YMCA GRADE BEAM
 107 CARLETTA CAGLE DR. CAMERON, NC 28326
 SHEET: GRADE BEAM PLAN & SECTIONS