

THIS PLAN HAS BEEN DRAWN TO CONFORM TO THE 2018 NORTH CAROLINA RESIDENTIAL CODE

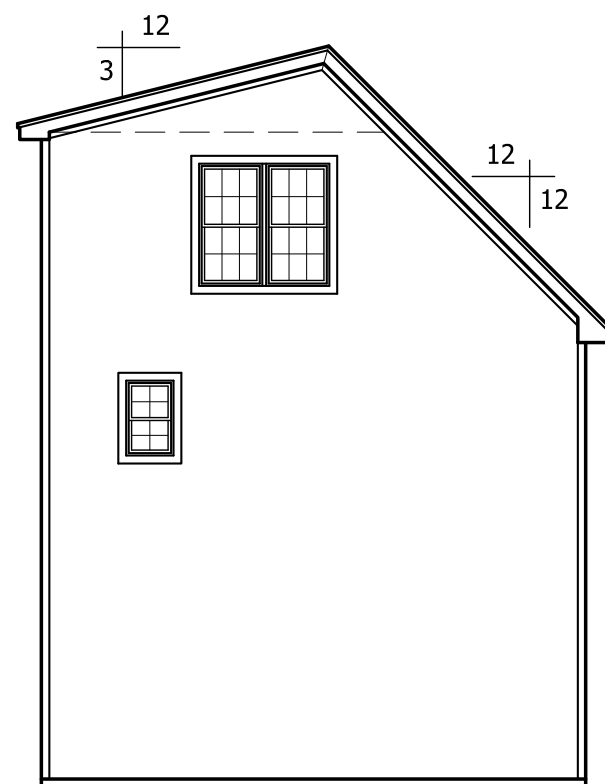
CONTRACTOR SHALL VERIFY ALL DIMENSIONS AND CONDITIONS PRIOR TO BEGGINING WORK. CONTRACTOR IS RESPONSIBLE FOR COMPLIANCE WITH ALL STATE AND LOCAL BUILDING CODES AND ORDINANCES. KADS CUSTOM HOME DESIGNS ASSUMES NO LIABILITY FOR SITE CONDITIONS, CONSTRUCTION METHODS OR ANY DEVIATION OF THESE PLANS.

NOTE:
ALL WINDOWS TO BE INSTALLED MUST MEET A MAXIMUM OF .32 U VALUE OR BETTER, UNLESS ENERGY CALCULATIONS ARE SUBMITTED WITH PLANS PROVIDED BY BUILDER AT TIME OF PLAN REVIEW.



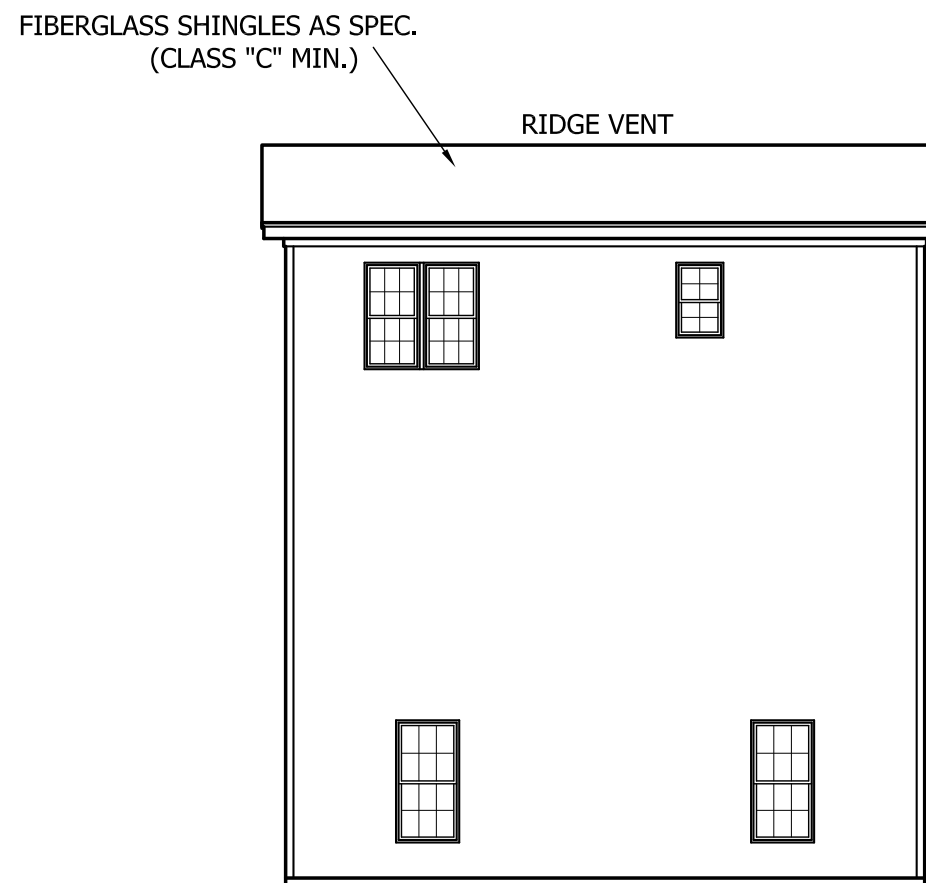
FRONT ELEVATION

SCALE: 1/4"=1'-0"



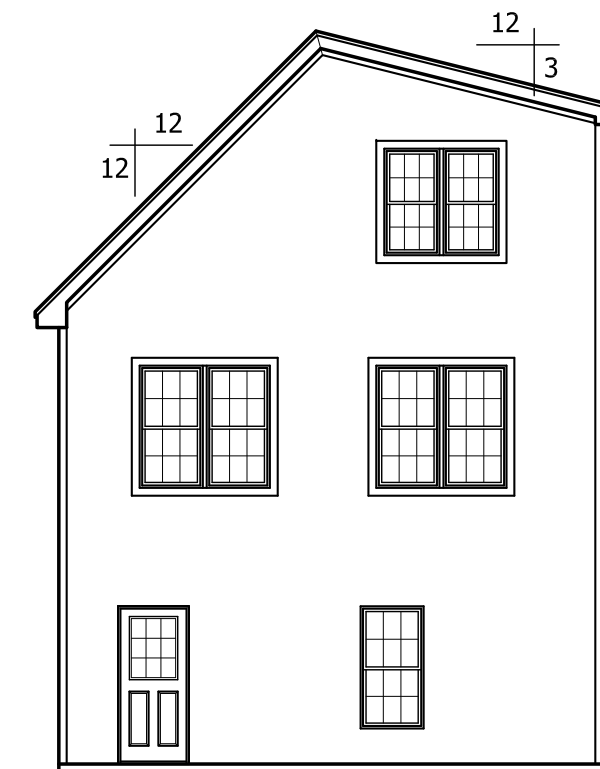
LEFT ELEVATION

SCALE: 1/8"=1'-0"



REAR ELEVATION

SCALE: 1/8"=1'-0"



RIGHT ELEVATION

SCALE: 1/8"=1'-0"

**DINH TRAN
KEITH HILLS**



ANGIER, NC
919-369-7181

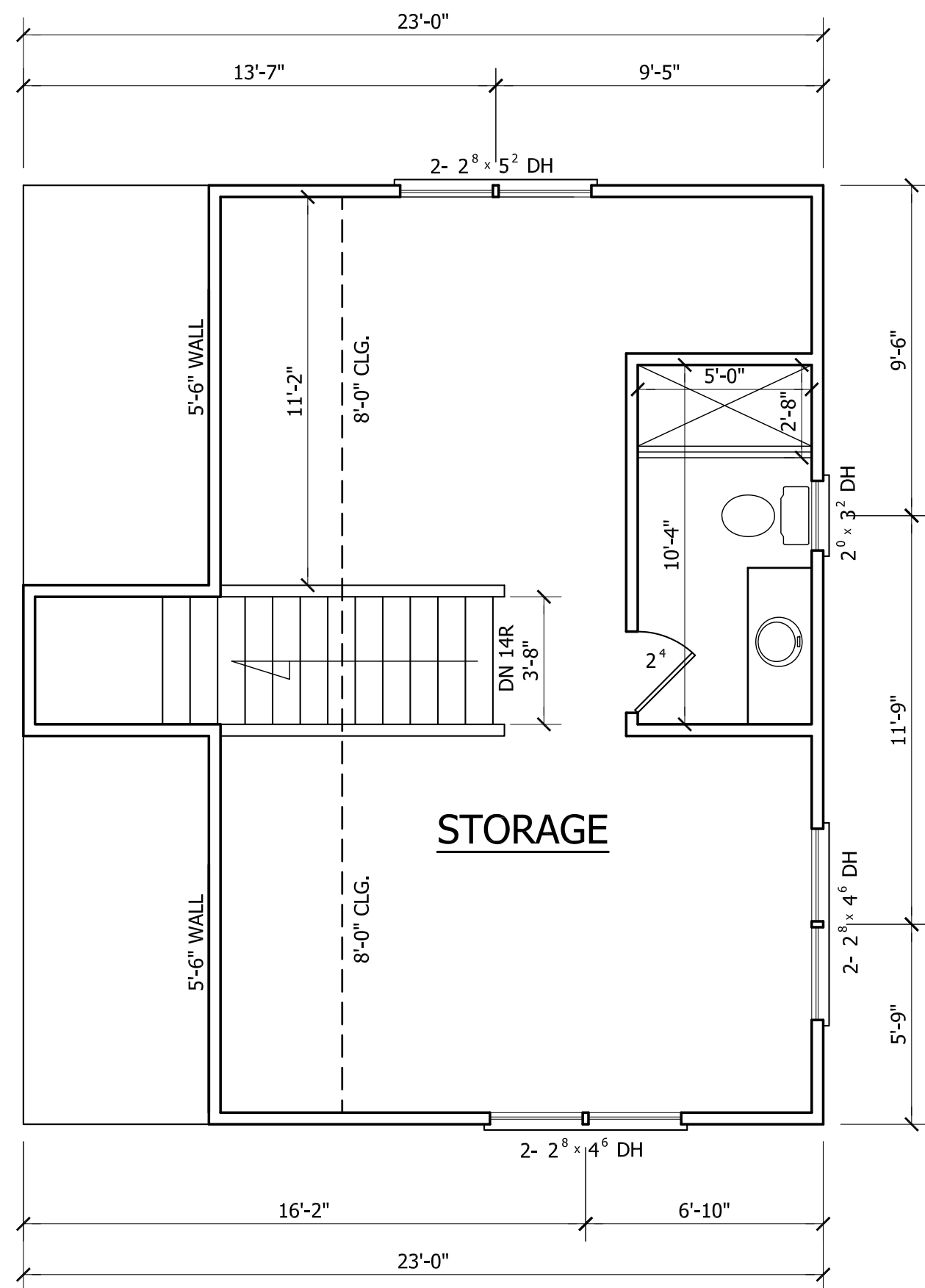
DRAWN BY:
D.W.O.

DATE:
5/19/25

PAGE NO

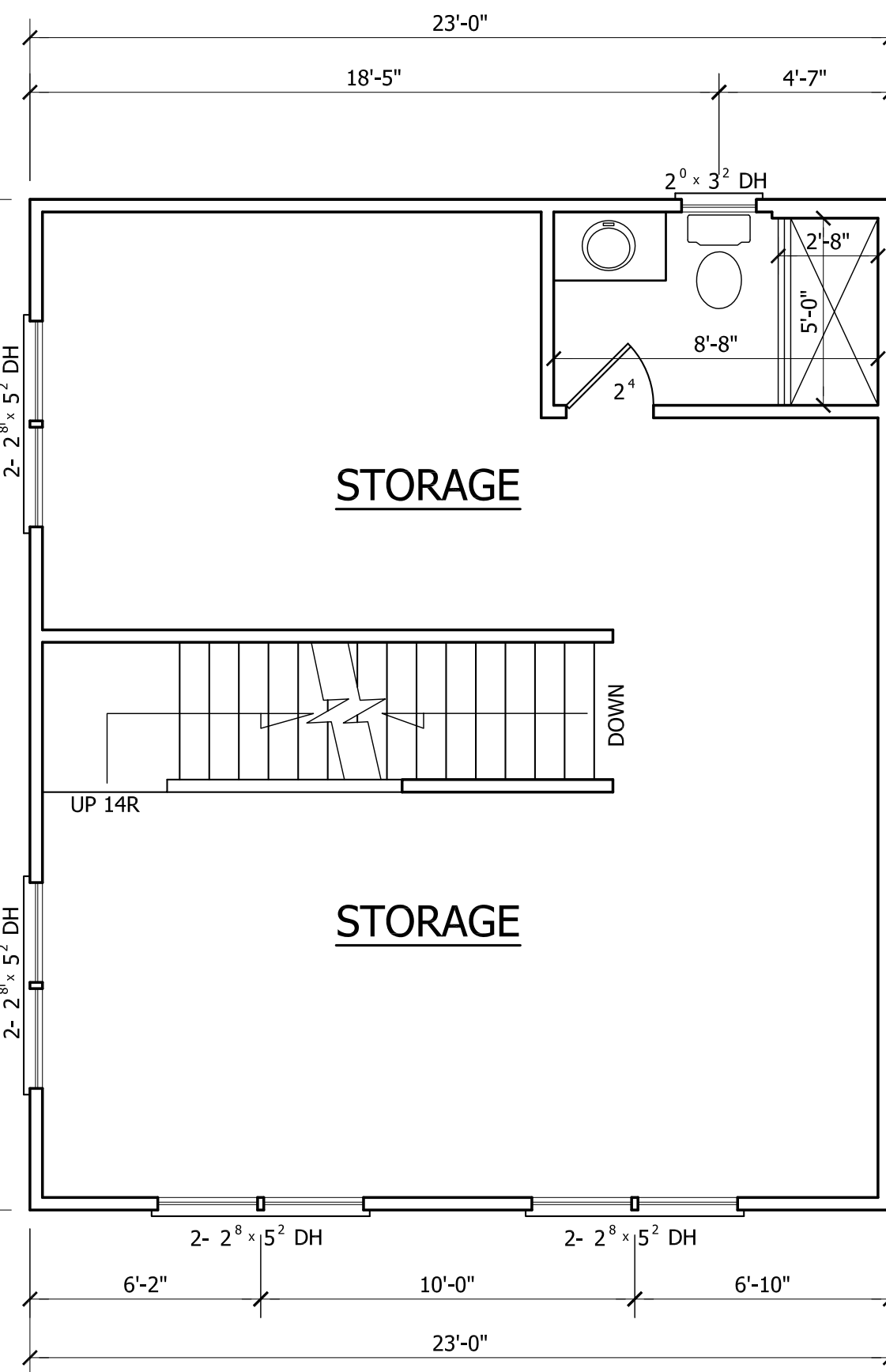
1

OF
3



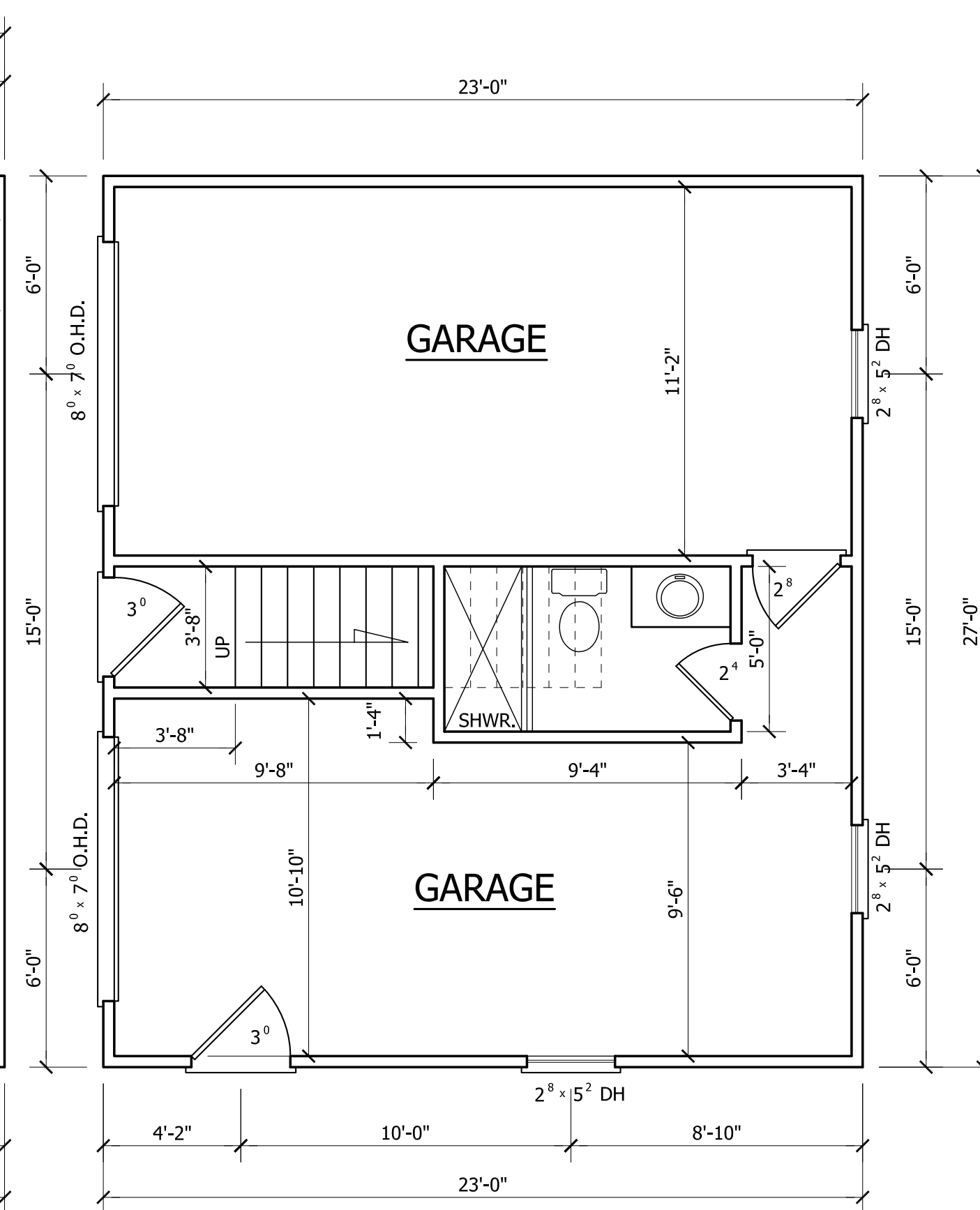
THIRD FLOOR PLAN

SCALE: 1/4"=1'-0"
 8'-0" CLG. HGT.
 SET WINDOWS AT 6'-8" A.F.F.



SECOND FLOOR PLAN

SCALE: 1/4"=1'-0"
 8'-0" CLG. HGT.
 SET WINDOWS AT 6'-8" A.F.F.



FIRST FLOOR PLAN

SCALE: 1/4"=1'-0"
 9'-0" CLG. HGT.
 SET WINDOWS AT 6'-8" A.F.F.

FIRST FLOOR SQ. FT.	= 621
SECOND FLOOR SQ. FT.	= 621
THIRD FLOOR SQ. FT.	= 477
TOTAL SQ. FT.	= 1719

DINH TRAN
 KEITH HILLS

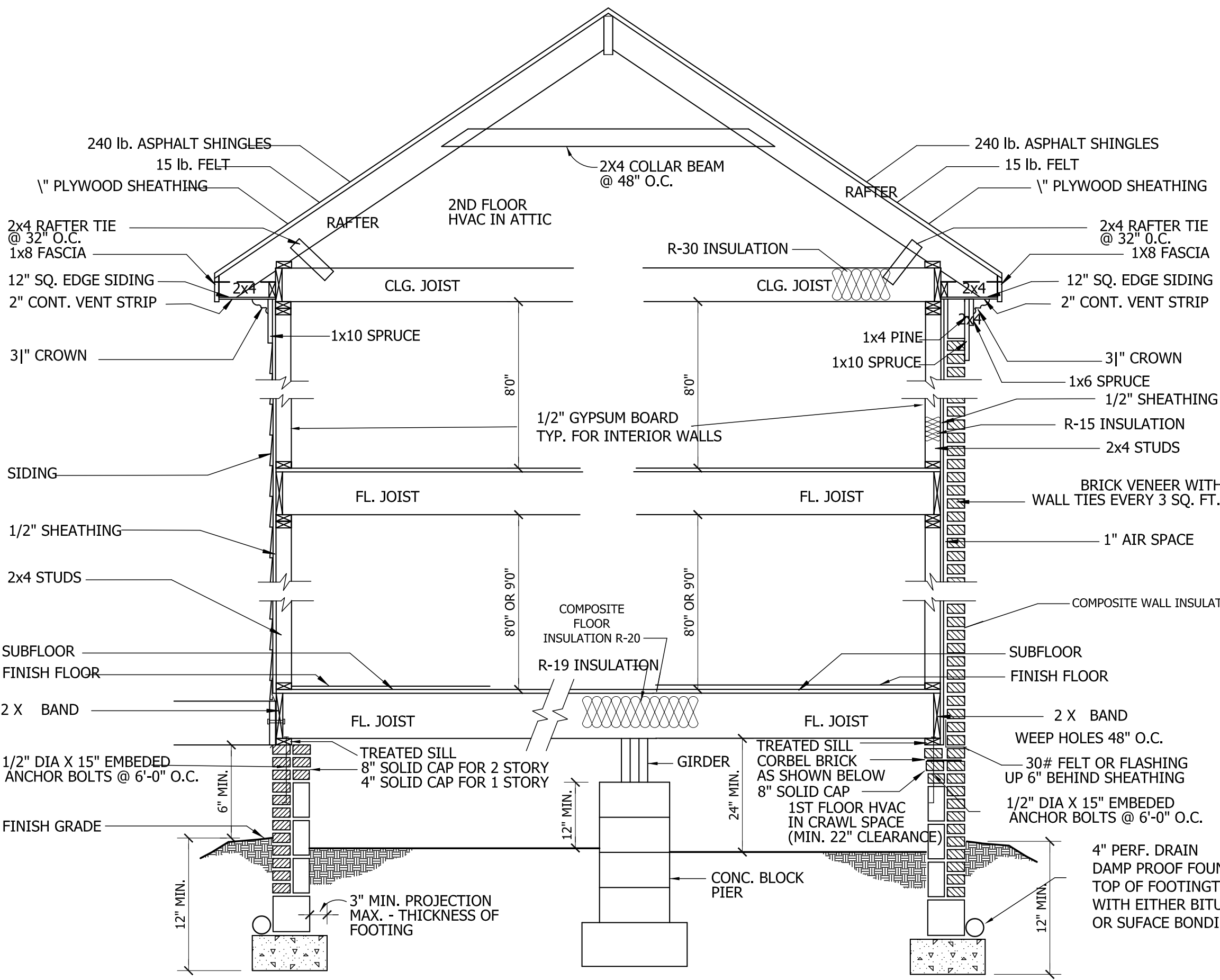
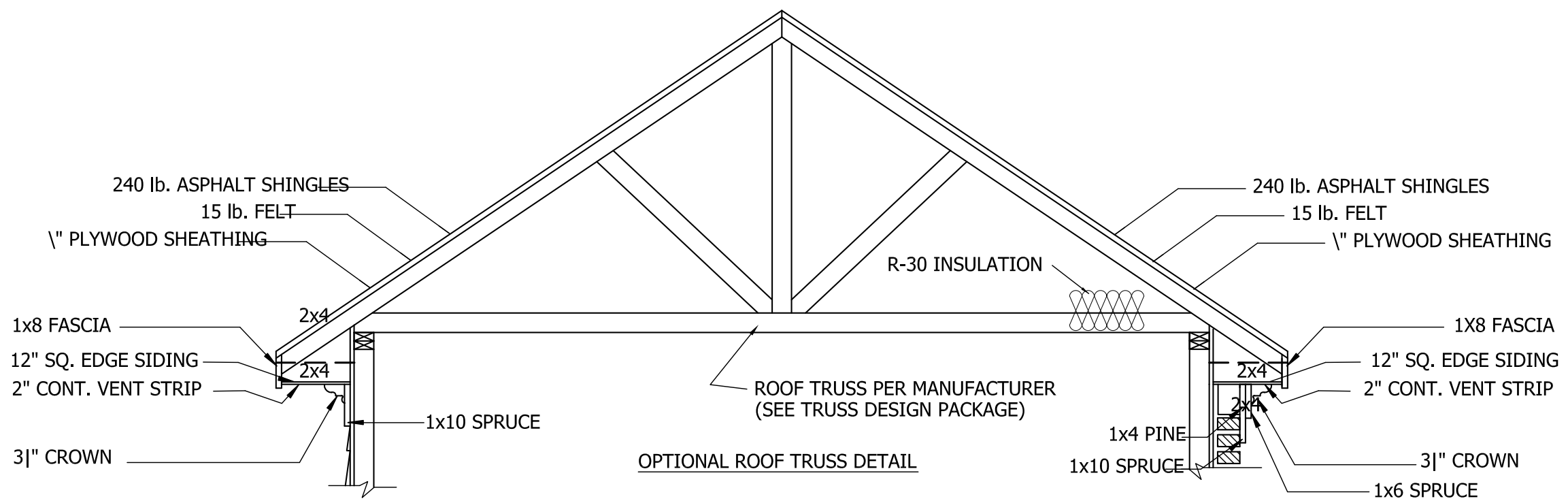


ANGIER, NC
 919-369-7181

DRAWN BY:
 D.W.O.

DATE:
 5/19/25

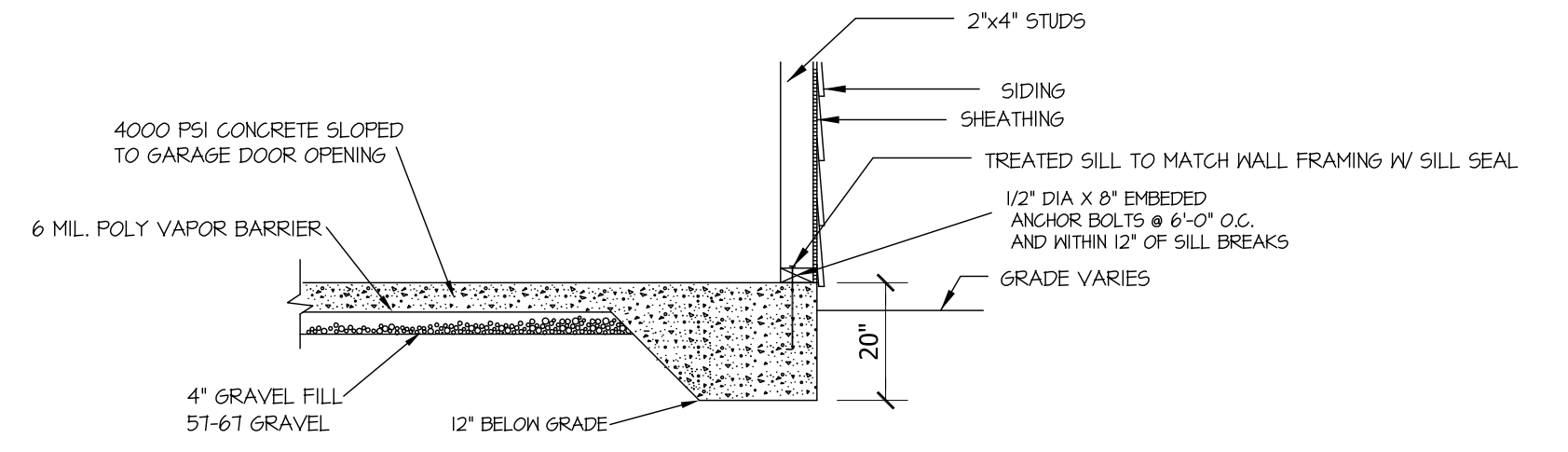
PAGE NO
 2
 OF
 3



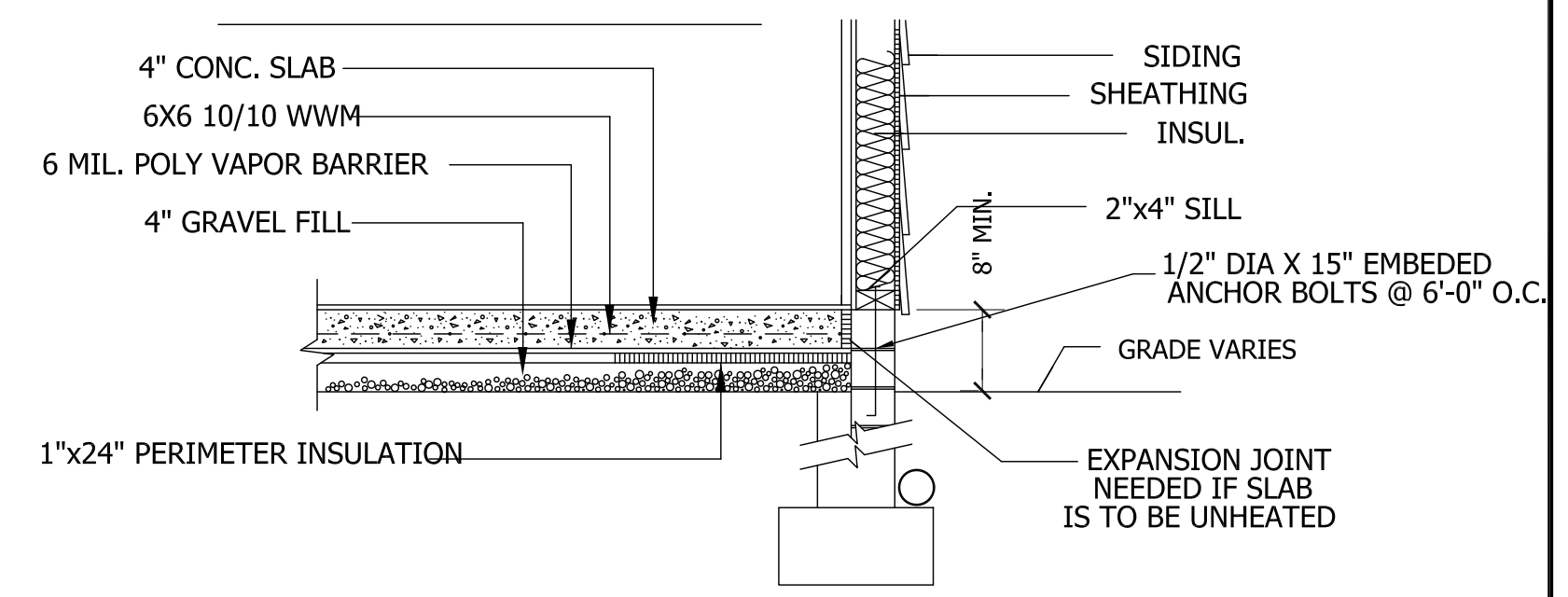
SIDING SECTION

BRICK SECTION

WALL SECTION
SCALE: 1/4" = 1'-0"



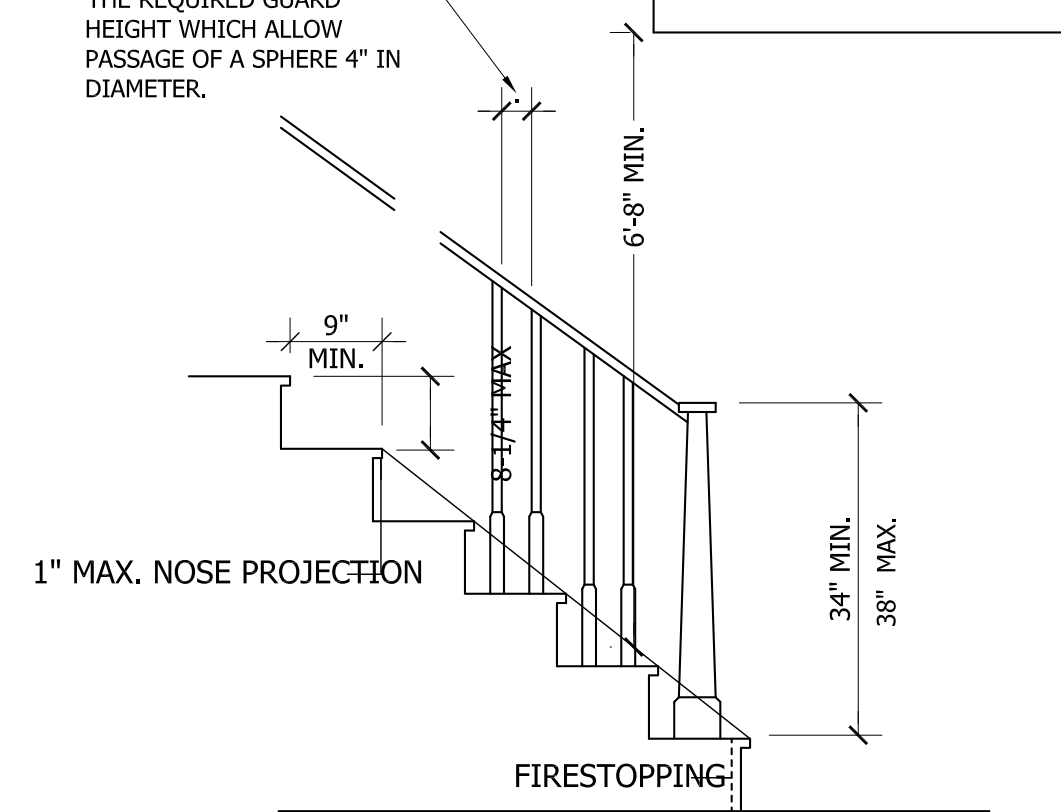
SLAB FDN. DETAIL



SLAB FDN. DETAIL

SCALE: 1" = 1'-0"

REQUIRED GUARDS SHALL NOT HAVE OPENINGS FROM THE WALKING SURFACE TO THE REQUIRED GUARD HEIGHT WHICH ALLOW PASSAGE OF A SPHERE 4" IN DIAMETER.



NOTE:

Stairways shall not be less than 36 inches in clear width at all points above the permitted handrail height and below the required headroom height. Handrails shall not project more than 4.5 inches on either side of the stairway and the minimum clear width of the stairway at and below the handrail height, including treads and landings, shall not be less than 31-1/2 inches where a handrail is installed on one side and 27 inches where handrails are provided on both sides

STAIR DETAIL

SCALE: NTS

DINH TRAN
KEITH HILLS



ANGIER, NC
919-369-7181

DRAWN BY:
D.W.O.

DATE:
5/19/25

PAGE NO

3

OF

3

ROOF VENTILATING REQUIREMENTS

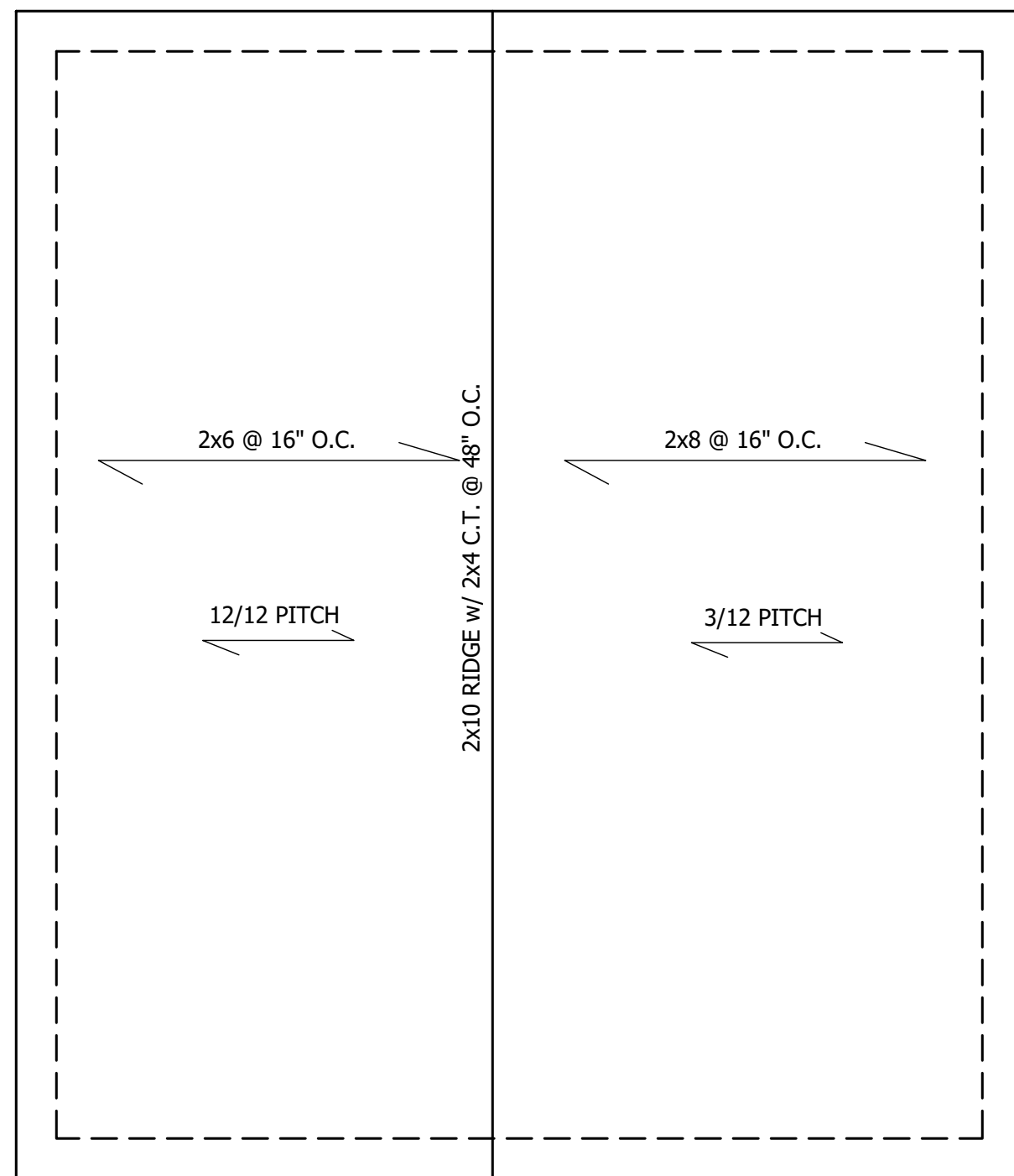
$\frac{621}{150} = 4.14$ SQ. FT. REQ'D

ROOF VENTILATING REQUIREMENTS

(POWER ROOF VENTILATOR REQUIRED)

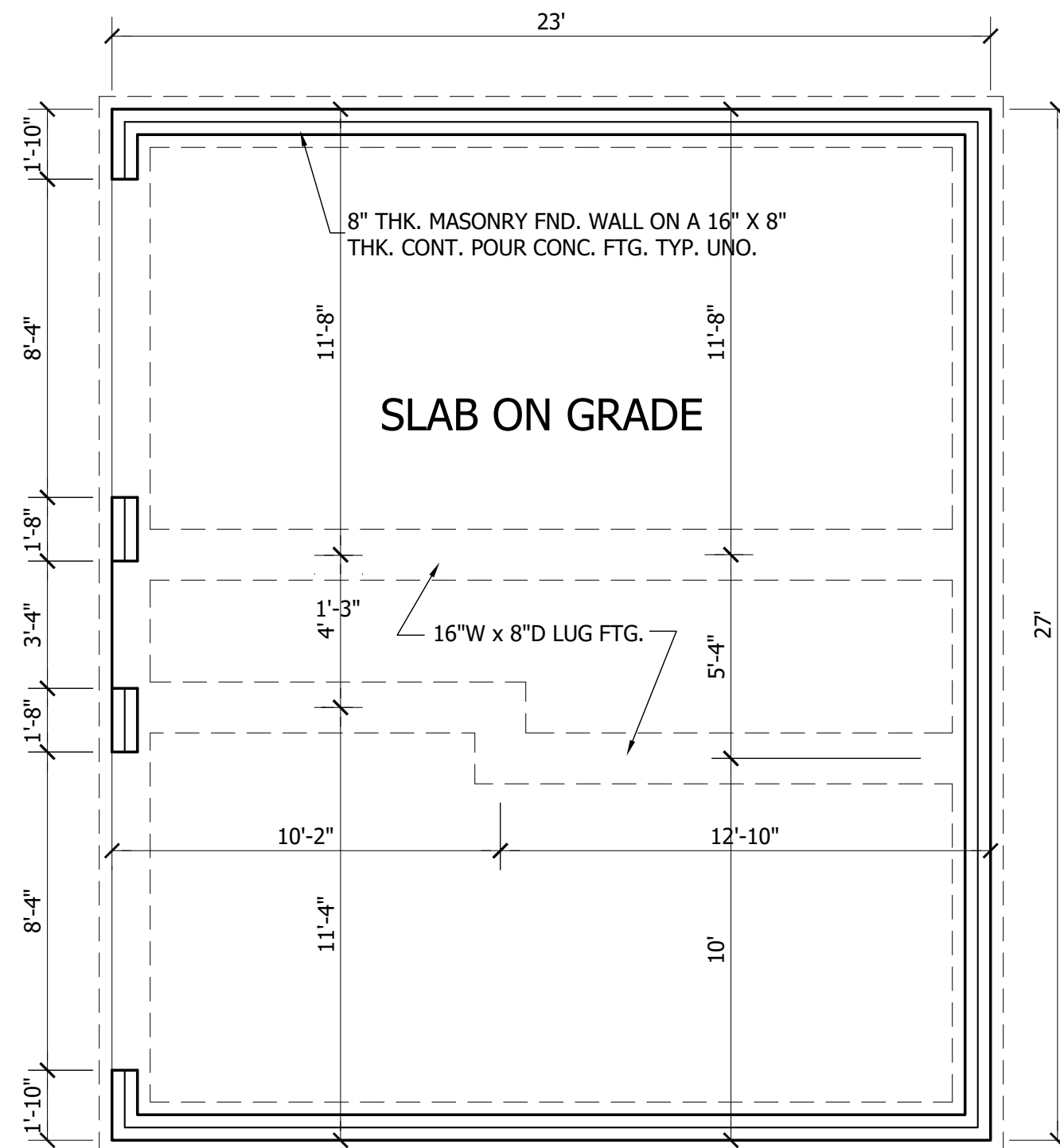
$\frac{621}{300} = 2.07$ SQ. FT. REQ'D

BUILDER TO PROVIDE APPROPRIATE VENTILATING AS REQUIRED.



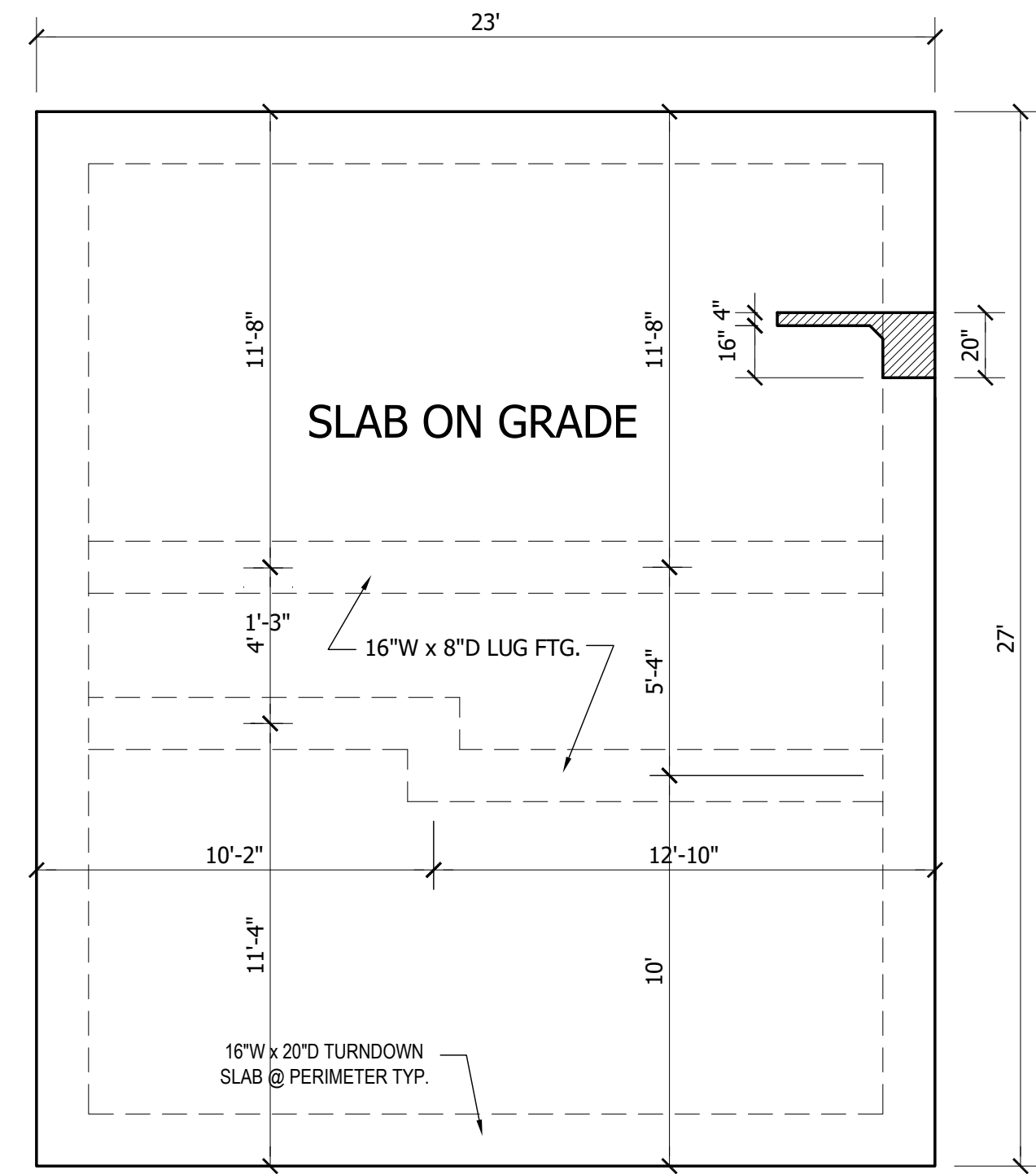
ROOF PLAN

SCALE: 1/4"=1'-0"



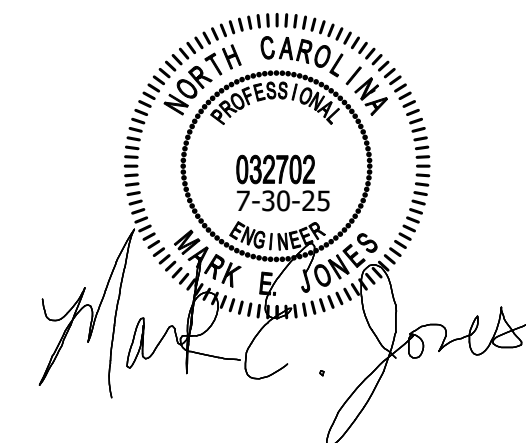
STEM WALL SLAB PLAN

SCALE: 1/4"=1'-0"



MONOLITHIC SLAB PLAN

SCALE: 1/4"=1'-0"



Structural Engineering by:
 Mark E. Jones, PE
 6425 Glen Dean Court
 Raleigh, NC 27603
 Phone: (919) 395-5618

*Engineers seal applies only to structural components on this document. Seal does not include construction means, methods, techniques, sequences, procures or safety precautions.
 *Any deviations or discrepancies on plans are to be brought to the immediate attention of Mark E. Jones, PE. Failure to do so will void Mark E. Jones, PE liability.
 Structural analysis based on NCResidential Building Code 2018.

Project No. 25-151

**DINH TRAN
 KEITH HILLS**



ANGIER, NC
 919-369-7181

DRAWN BY:
 D.W.O.

DATE:
 5/19/25

PAGE NO

S1

OF
 2

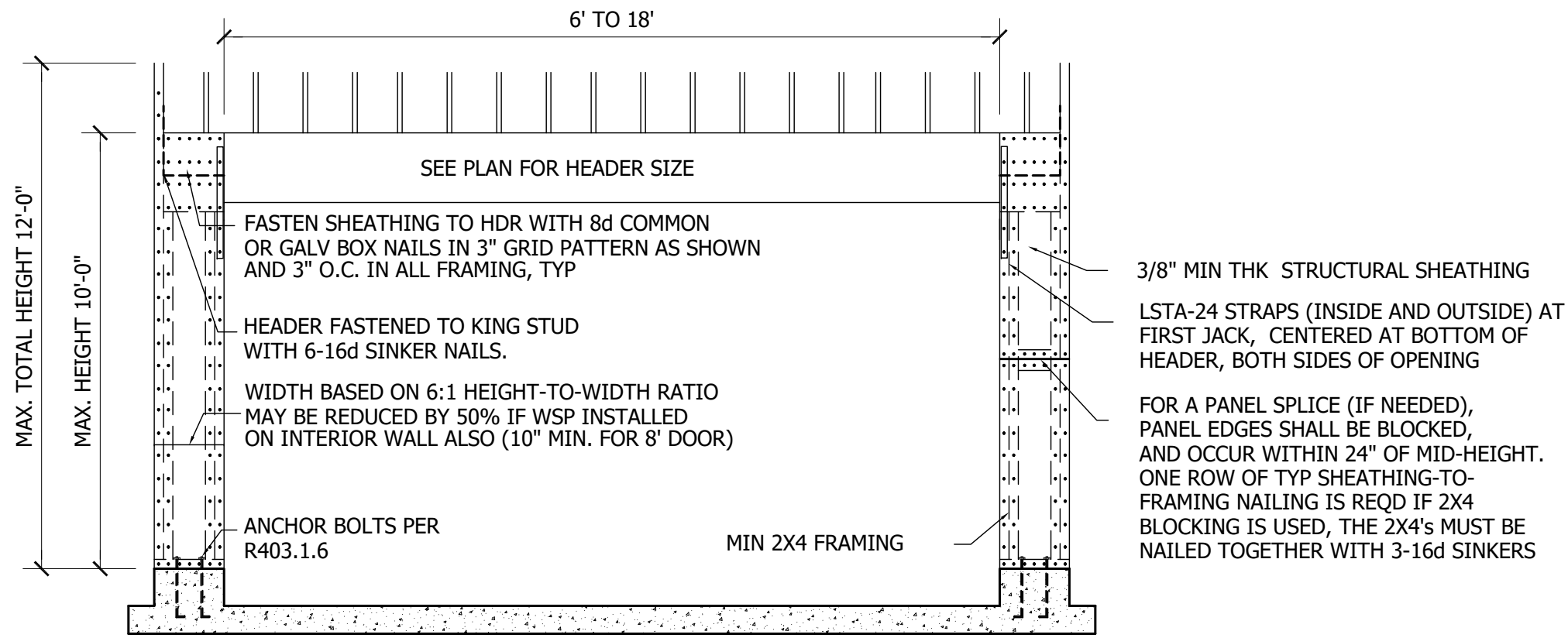
STRUCTURAL NOTES

1) ALL CONSTRUCTION SHALL CONFORM TO THE LATEST REQUIREMENTS OF NORTH CAROLINA STATE 2018 RESIDENTIAL BUILDING CODE*, IN ADDITION TO ALL LOCAL CODES AND REGULATIONS.

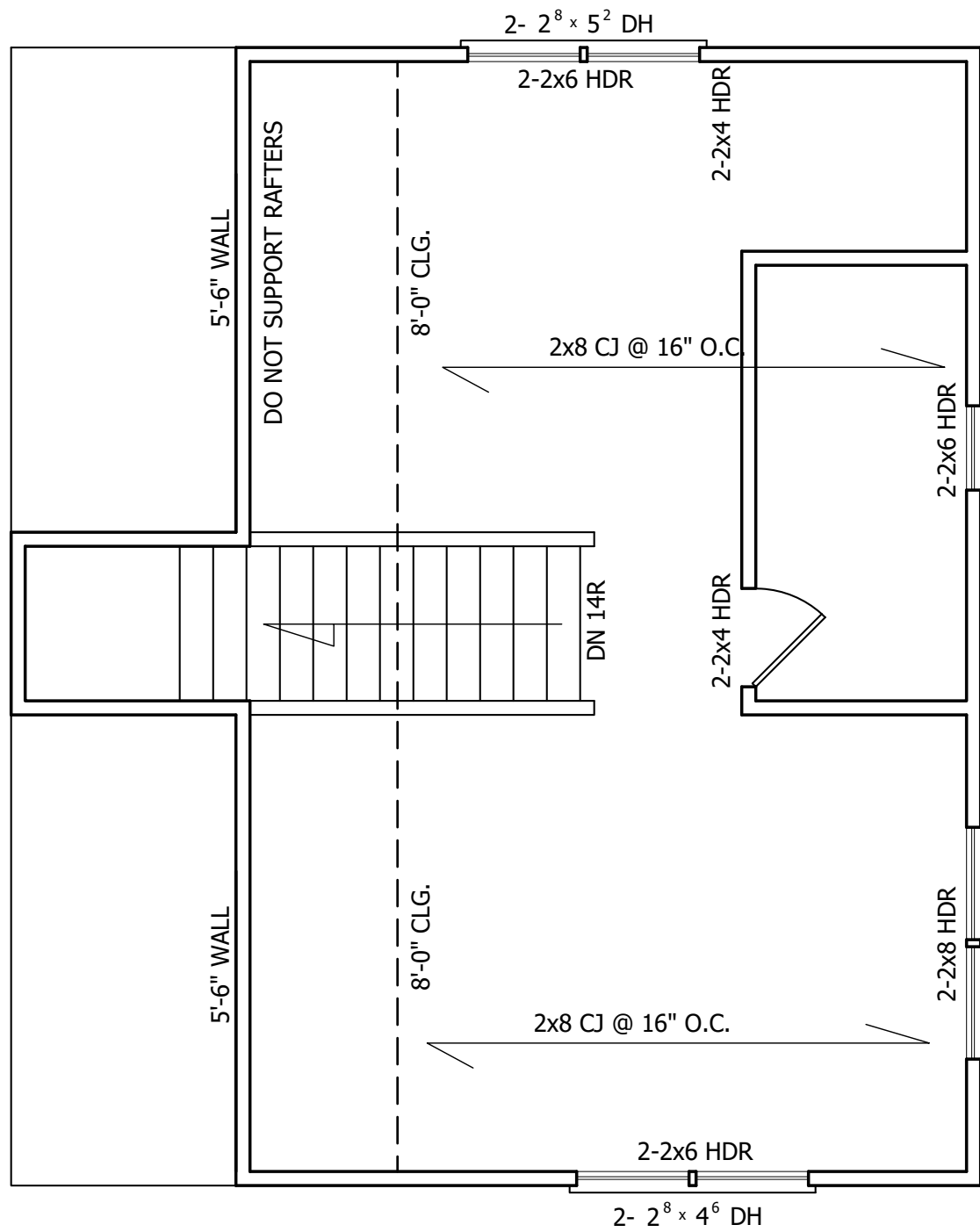
2) DESIGN LOADS:

	LIVE LOAD (PSF)	DEAD LOAD (PSF)	DEFLECTION (DL & LL)
ALL FLOORS	40	10	L/360
ATTIC (pull down access)	20	10	L/240
ATTIC (no access)	10	5	L/240
EXTERNAL BALCONY	60	10	L/360
ROOF	20	10	L/180
ROOF TRUSS	20	20	L/240
WIND LOAD	(BASED ON 120 MPH (3-second gust))		

- 3) MINIMUM ALLOWABLE SOIL BEARING PRESSURE = 2000 PSF
- 4) CONCRETE SHALL HAVE A MINIMUM 28 DAY STRENGTH OF 3000 PSI AND A MAXIMUM SLUMP OF FIVE INCHES UNLESS NOTED OTHERWISE (UNO).
- 5) MAXIMUM DEPTH OF UNBALANCED FILL AGAINST FOUNDATION WALLS TO BE LESS THAN 4'-0" WITHOUT USING SUFFICIENT WALL BRACING. REFER TO SECTION R404 OF 2012 NC BUILDING CODE FOR BACKFILL LIMITATIONS BASED ON WALL HEIGHT, WALL THICKNESS, SOIL TYPE, AND UNBALANCED BACKFILL HEIGHT.
- 6) ALL FRAMING LUMBER SHALL BE SYP #2 (F_b = 800 PSI) UNO. ALL FRAMING LUMBER EXPOSED TO THE ELEMENTS SHALL BE TREATED MATERIAL.
- 7) ALL LOAD BEARING HEADERS SHALL BE (2)x10 (UNO). ALL WINDOW AND DOOR HEADERS SHALL BE SUPPORTED BY (1) JACK STUD AND (1) KING STUD AT EACH END UNLESS NOTED. ALL OTHER BEAMS SHALL BE SUPPORTED BY 2 STUDS OR THE AMOUNT OF STUDS REQUIRED FOR FULL BEARING AT EACH END UNLESS NOTED. POINT LOADS (STIFF KNEES, ETC.) SHALL CONSIST OF 2 STUDS UNLESS NOTED. ALL SUPPORTS OF 2 STUDS OR MORE SHALL BE TRANSFERRED THROUGH EACH FLOOR TO THE FOUNDATION.
- 8) ALL EXTERIOR WALLS TO BE SHEATHED WITH MIN. 7/16" WOOD STRUCTURAL PANELS FASTENED WITH 8D NAILS 6" O.C. AT EDGES AND 12" O.C. AT INT. SUPPORTS. BLOCKING SHALL BE INSTALLED IF LESS THAN 50 PERCENT OF THE WALL LENGTH IS SHEATHED. WHERE BLOCKING IS REQ'D, ALL PANELS SHALL BE FASTENED AT 3" O.C. AT EDGES AND 6" O.C. AT INT. SUPPORTS.
- 9) ALL STRUCTURAL STEEL SHALL ASTM A-36. STEEL BEAMS SHALL BE SUPPORTED AT EACH END WITH A MINIMUM BEARING LENGTH OF 3-1/2" INCHES AND FULL FLANGE WIDTH. PROVIDE SOLID BEARING FROM BEAM SUPPORT TO FOUNDATION. BEAMS SHALL BE ATTACHED TO EACH SUPPORT WITH TWO LAG SCREWS (1/2" DIAMETER AND 4" LONG). LATERAL SUPPORT IS CONSIDERED ADEQUATE PROVIDING THE JOISTS ARE TOE NAILED TO THE SOLE PLATES, AND THE SOLE PLATES ARE NAILED OR BOLTED TO THE BEAM FLANGES @ 48" O.C.
- 10) ANCHOR BOLT PLACEMENT PER SECTION R403.1.6. 1/2" DIAMETER ANCHOR BOLTS SPACED AT 6'-0" O.C. AND PLACED 12" FROM THE END OF EACH PLATE SECTION.
- 11) FOUNDATION DRAINAGE-DAMP PROOFING OR WATERPROOFING PER SECTION 405 AND 406 OF 2012 NC BUILDING CODE.
- 12) WALL AND ROOF CLADDING VALUES:
WALL CLADDING SHALL BE DESIGNED FOR A 24.1 SQ.FT. OR GREATER POSITIVE AND NEGATIVE PRESSURE.
ROOF VALUES BOTH POSITIVE AND NEGATIVE SHALL BE AS FOLLOWS:
45.5 LBS/SQ.FT FOR ROOF PITCHES OF 0/12 TO 2.25/12
34.8 LBS/SQ.FT FOR ROOF PITCHES OF 2.25/12 TO 7/12
21.0 LBS/SQ.FT FOR ROOF PITCHES OF 7/12 TO 12/12
** MEAN ROOF HEIGHT 3' OR LESS
- 13) FOR ROOF SLOPES FROM 2:12 THROUGH 4:12, BUILDER TO INSTALL 2 LAYERS OF 15# FELT PAPER.
- 14) IT IS THE CONTRACTOR'S RESPONSIBILITY TO VERIFY ALL DIMENSIONS AND SQ. FTG. ARE CORRECT PRIOR TO CONSTRUCTION. DESIGNER IS NOT RESPONSIBLE FOR DIMENSIONING OR SQ. FTG. ERRORS ONCE CONSTRUCTION BEGINS.

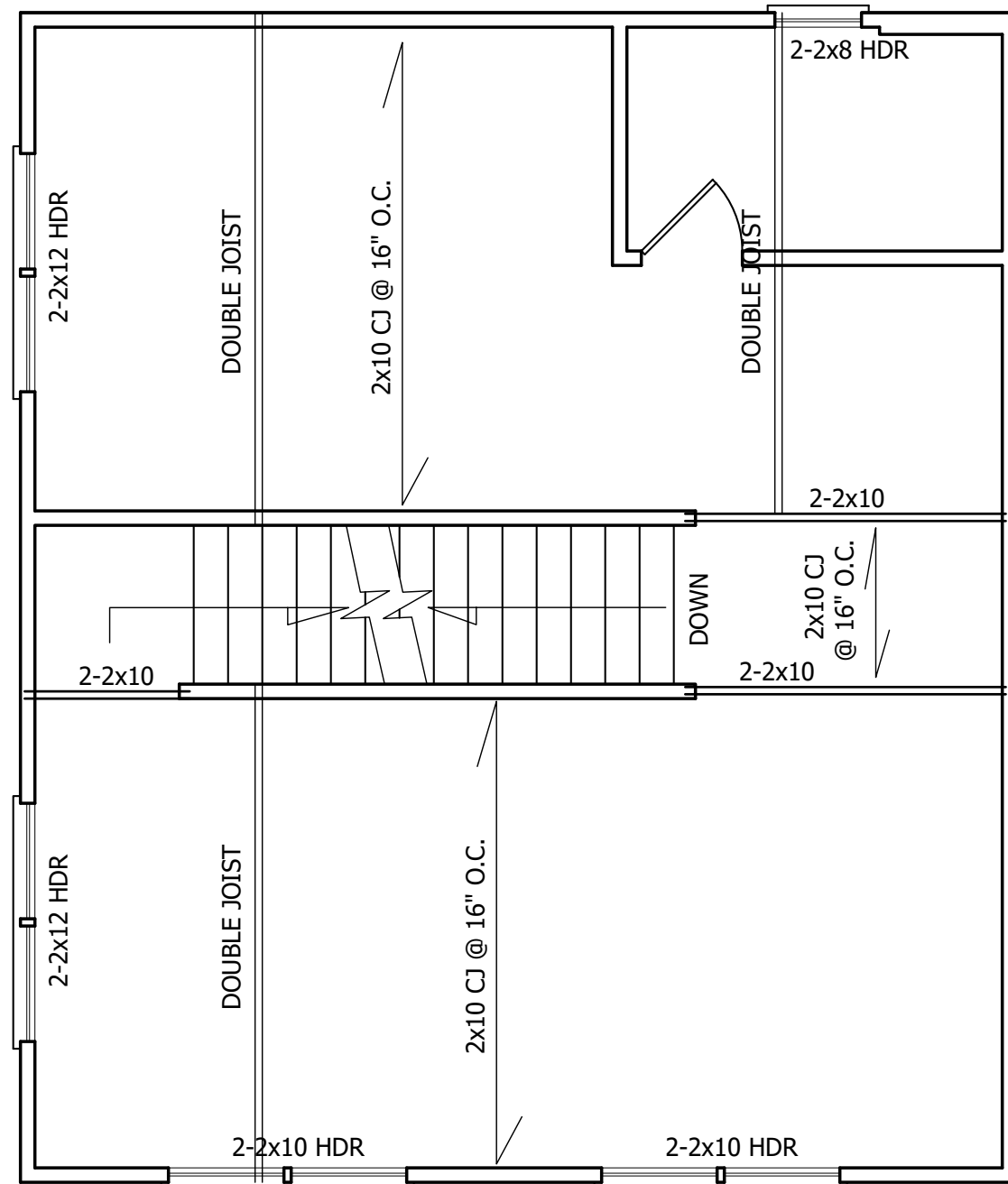


PORTAL FRAME DETAIL



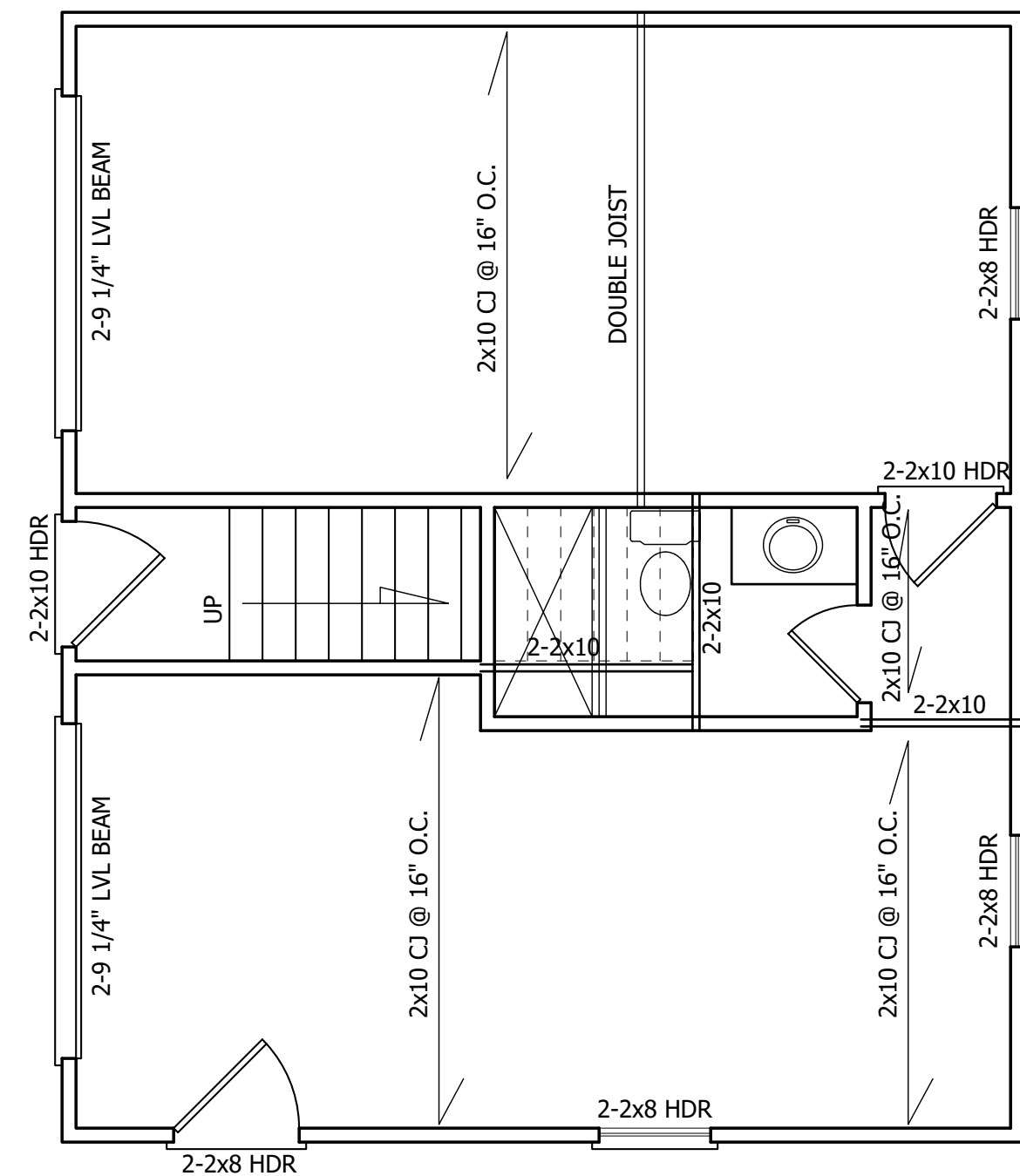
THIRD FLOOR PLAN

SCALE: 1/4"=1'-0"
8'-0" CLG. HGT.
SET WINDOWS AT 6'-8" A.F.F.



SECOND FLOOR PLAN

SCALE: 1/4"=1'-0"
8'-0" CLG. HGT.
SET WINDOWS AT 6'-8" A.F.F.



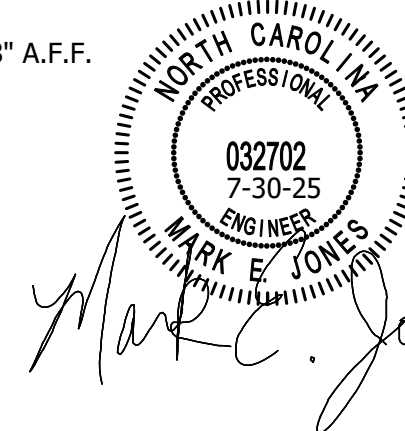
FIRST FLOOR PLAN

SCALE: 1/4"=1'-0"
9'-0" CLG. HGT.
SET WINDOWS AT 6'-8" A.F.F.

Structural Engineering by:
Mark E. Jones, PE
6425 Glen Dean Court
Raleigh, NC 27603
Phone: (919) 395-5618

*Engineers seal applies only to structural components on this document. Seal does not include construction means, methods, techniques, sequences, procures or safety precautions.
*Any deviations or discrepancies on plans are to be brought to the immediate attention of Mark E. Jones, PE. Failure to do so will void Mark E. Jones, PE liability.
Structural analysis based on NCResidential Building Code 2018.

Project No. 25-151



DINH TRAN
KEITH HILLS



ANGIER, NC
919-369-7181

DRAWN BY:
D.W.O.

DATE:
5/19/25

PAGE NO

S2

OF
2