

REGULAR / A-FRAME 12'-0" WIDE CARPORT STYLE BUILDINGS

MANUFACTURED BY:



DESIGN NOTES

1. ALL CONSTRUCTION SHALL BE PROVIDED IN ACCORDANCE WITH IBC 2015, OSHA, AISC 360, AISI 100, ASCE 7-10, AWS D1.3 CODES AND ALL APPLICABLE LOCAL REQUIREMENTS.
2. ALL MATERIALS IDENTIFIED BY MANUFACTURER NAME MAY BE SUBSTITUTED WITH MATERIAL EQUAL OR EXCEEDING ORIGINAL.
3. ALL SHOP CONNECTIONS SHALL BE WELDED CONNECTIONS.
4. ALL STRUCTURAL FIELD CONNECTIONS SHALL BE #12-14 X 3/4" SDS (ESR-2196 OR EQ) WITHOUT WASHERS.
5. STEEL SHEATHING SHALL BE 29GA. CORRUGATED GALV. OR PAINTED STEEL - MAIN RIB HT. 3/4" (FY=80KSI) OR EQ. CONNECTIONS SHALL BE #12-14 X 3/4" SDS (ESR-2196 OR EQ) WITH NEOPRENE WASHERS.
6. ALL STRUCTURAL LIGHT GAUGE TUBING AND CHANNELS SHALL BE GRADE 50 STEEL (FY = 50 KSI, FU = 65 KSI).
7. STRUCTURAL TUBE 2 1/2" X 2 1/2" - 14GA. IS EQUIVALENT TO TS 2 1/4" X 2 1/4" - 12GA AND EITHER ONE MAY BE USED IN LIEU OF THE OTHER.
8. GYPSUM BOARD OR DRYWALL FINISH OR ANY BRITTLE BASE MATERIAL IS NOT CONSIDERED OR ACCOUNTED FOR ON THE DESIGN CRITERIA.
9. ALL DESIGN CRITERIA MUST BE INCREASED TO THE NEXT HIGHER INCREMENT BASED ON THE TABLES ON PAGE 4. NO INTERPOLATION IS ALLOWED.

DESIGN CRITERIA

PREVAILING CODE:	NCBC 2018 (IBC 2015)
USE GROUP:	U (CARPORTS, BARN)
RISK CATEGORY:	I
1. ROOF DEAD LOAD (D)	D = 4 PSF
2. ROOF LIVE/SNOW LOAD (Lr)	Lr = 20 - 61 PSF (AS PER SNOW LOAD SEE TABLE 4)
3. SNOW LOAD (S)	
GROUND SNOW LOAD	P _g = 20 - 90 PSF
IMPORTANCE FACTOR	I _s = 0.8
THERMAL FACTOR	C _t = 1.2
EXPOSURE FACTOR	C _e = 1.0
ROOF SLOPE FACTOR	C _s = 1.0
4. WIND LOAD (W)	
BASIC WIND SPEED	V _{ULT} = 105 - 180 MPH
EXPOSURE	C
5. SEISMIC LOAD (E)	
DESIGN CATEGORY	D
IMPORTANCE FACTOR	I _e = 1.00

LOAD COMBINATIONS:

1. D + (Lr OR S)
2. D + (0.6W OR ±0.7E)
3. D + 0.75 (0.6W OR ±0.7E) + 0.75 (Lr OR S)
4. 0.6D + (0.6W OR ±0.7E)

DRAWING INDEX

COVER SHEET	---	1
SCHEDULES & MEMBER -		
SECTIONS	---	2
FRAME SECTIONS & DETAILS	---	3
SPACING SCHEDULES -		
& ENCLOSURE NOTES	---	4
PURLIN & GIRT SCHEDULES	---	5
SHEATHING OPTIONS	---	6
SIDE WALL FRAMING		
& OPENINGS	---	7
END WALL FRAMING		
& OPENINGS	---	8-A, 8-B
CORNER BRACING DETAILS	---	9
OPTIONAL LEAN-TO ADDITION	---	10
FOUNDATION OPTIONS	---	11-A TO 11-D

**Omar
Abu-
Yasein**

Digitally signed
by Omar Abu-
Yasein
Date: 2024.01.13
08:30:23 -06'00'

DRAWING INFORMATION

PROJECT: 12'-0" WIDE BUILDINGS
LOCATION: STATE OF NORTH CAROLINA
PROJECT NO.: 325-23-2447
SHEET TITLE:

COVER SHEET

SHEET NO.: 1 / 11
DRAWN BY: AW DATE: 7/18/22
CHECKED BY: OAA DATE: 7/18/22

LEGAL INFORMATION

- ANY DUPLICATION OF THIS DRAWING IN WHOLE OR PART IS STRICTLY FORBIDDEN. ANYONE DOING SO WILL BE PROSECUTED UNDER THE FULL EXTENT OF THE LAW. - DRAWINGS VALID UP TO 1 YEAR FROM DATE OF ISSUE.

SEAL:



CUSTOMER INFORMATION	DESIGN LOADS	BUILDING INFORMATION		CERTIFICATION VALIDITY NOTICE
OWNER: Darlene Williams ADDRESS: 231 Golden Oats Dr. Angier, NC 27501	GROUND SNOW: 30 psf ROOF LIVE LOAD: 20 psf BASIC WIND SPEED: 115 mph	WIDTH: 10' LENGTH: 16' HEIGHT: 6'	FRAME TYPE: <input checked="" type="checkbox"/> A-FRAME <input type="checkbox"/> REGULAR ENCLOSURE TYPE: <input checked="" type="checkbox"/> FULL <input type="checkbox"/> PARTIAL <input type="checkbox"/> OPEN	DATE OF PLANS EXPIRATION: 08-30-2024 CERTIFICATION ON THESE DRAWINGS IS VALID FOR ONE YEAR FROM DATE OF ISSUE
				DATE EXPIRES: 12-31-2024 DATE SIGNED: 08-30-2023

TABLE 2.1: MEMBER PROPERTIES

NO.	LABEL	PROPERTY	DETAIL NO.
1	COLUMN POST	2.5" X 2.5" X 14GA TUBE	1
2	ROOF BEAM	2.5" X 2.5" X 14GA TUBE	1
3	BASE RAIL	2.5" X 2.5" X 14GA TUBE	1
4	PEAK BRACE	2.5" X 2.5" 14GA CHANNEL	4
5	KNEE BRACES	2.5" X 1.5" 14GA CHANNEL	4
6	CONNECTOR SLEEVE	2.25" X 2.25" X 12GA TUBE	2
7	BASE ANGLE	2" X 2" X 3" LG. 3/16" ANGLE	10
8	PURLIN	4.25" X 1.5" X 14GA / 18GA HAT CHANNEL	5
9	GIRT	4.25" X 1.5" X 14GA / 18GA HAT CHANNEL	5
9A	OPT. END WALL GIRT	2.5" X 1.5" 14GA CHANNEL	1
10	SHEATHING	29 GA CORRUGATED SHEET	8
11	END WALL POST	2.5" X 2.5" X 14GA TUBE	1
12	DOOR POST	2.5" X 2.5" X 14GA TUBE	1
13	SINGLE HEADER	2.5" X 2.5" X 14GA TUBE	1
14	DOUBLE HEADER	DBL. 2.5" X 2.5" X 14GA TUBE	1
15	SERVICE DOOR / WINDOW FRAMING	2.5" X 2.5" X 14GA TUBE	1
16	ANGLE BRACKET	2" X 2" X 2" LG. 14GA ANGLE	7
17	STRAIGHT BRACKET	2" X 2" X 4" LG. 14GA PLATE	6
18	PB SUPPORT	2.5" X 2.5" X 14GA TUBE	1
19	DIAGONAL BRACE	2" X 2" X 14 GA TUBE	3
20	GABLE BRACE	2" X 2" X 14 GA TUBE	3
21	DB BRACKET	2.25" X 2.25" X 6" LG. 14GA ANGLE	9
22	TRUSS SPACER	2.5" X 2.5" X 14GA TUBE	1
23	ALL FASTENERS	#12 X 1" SELF-DRILL SCREWS (ESR-2196 OR EQ) W/ NEOPRENE/STEEL WASHER	

TABLE 2.2: SHEATHING FASTENER SCHEDULE

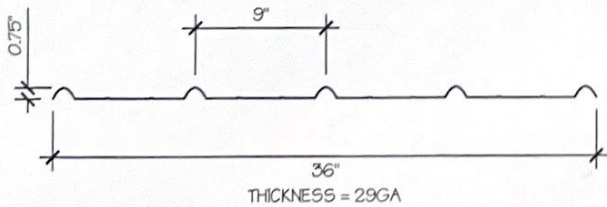
LOCATION	CORNER PANELS	SIDE LAPS	EDGE LAPS	ELSEWHERE
SPACING	9" C/C	MIN. 1	4 1/2" C/C	9" C/C

FASTENER TYPE: #12X1" SELF-DRILL SCREWS (ESR-2196 OR EQ) W/ NEOPRENE/STEEL WASHER

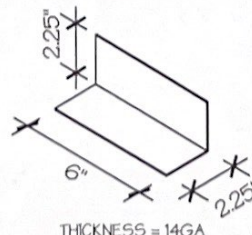
*SEE TYP. SHEATHING FASTENER SCHEDULE DIAGRAM ON PAGE 6.

TABLE 2.3: GAUGE THICKNESS

GAUGE	29	18	14	12
THICKNESS (IN)	0.0135	0.049	0.083	0.109



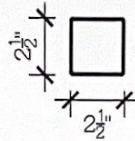
29 GA CORRUGATED SHEATHING 8
SCALE: NTS



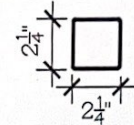
DB BRACKET 9
SCALE: NTS



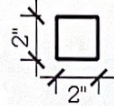
BASE ANGLE 10
SCALE: NTS



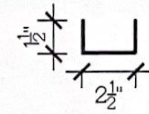
2.5" X 2.5" 14GA TUBE 1
SCALE: NTS



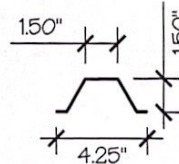
2.25" X 2.25" 12GA TUBE 2
SCALE: NTS



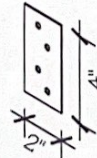
2" X 2" 14GA TUBE 3
SCALE: NTS



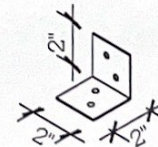
2.5" X 1.5" 14GA CHANNEL 4
SCALE: NTS



4.25" X 1.5" X 14GA / 18GA HAT CHANNEL 5
SCALE: NTS



STRAIGHT BRACKET 6
SCALE: NTS



ANGLE BRACKET 7
SCALE: NTS

MANUFACTURED BY:



DRAWING INFORMATION

PROJECT: 12'-0" WIDE BUILDINGS
LOCATION: STATE OF NORTH CAROLINA
PROJECT NO.: 325-23-2447
SHEET TITLE:

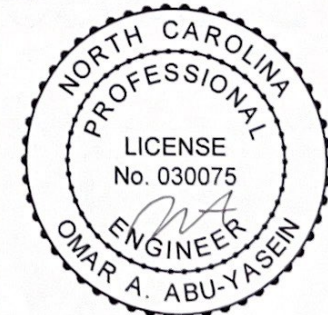
SCHEDULES & MEMBER SECTIONS

SHEET NO.: 2 / 11
DRAWN BY: AW DATE: 7/18/22
CHECKED BY: OAA DATE: 7/18/22

LEGAL INFORMATION

- ANY DUPLICATION OF THIS DRAWING IN WHOLE OR PART IS STRICTLY FORBIDDEN. ANYONE DOING SO WILL BE PROSECUTED UNDER THE FULL EXTENT OF THE LAW.
- DRAWINGS VALID UP TO 1 YEAR FROM DATE OF ISSUE.

SEAL:



DATE EXPIRES: 12-31-2024
DATE SIGNED: 08-30-2023

MANUFACTURED BY:



HERITAGE STEEL

DRAWING INFORMATION

PROJECT: 12'-0" WIDE BUILDINGS

LOCATION: STATE OF NORTH CAROLINA

PROJECT NO.: 325-23-2447

SHEET TITLE:

FRAME SECTIONS & DETAILS

SHEET NO.: 3 / 11

DRAWN BY: AW DATE: 7/18/22

CHECKED BY: OAA DATE: 7/18/22

LEGAL INFORMATION

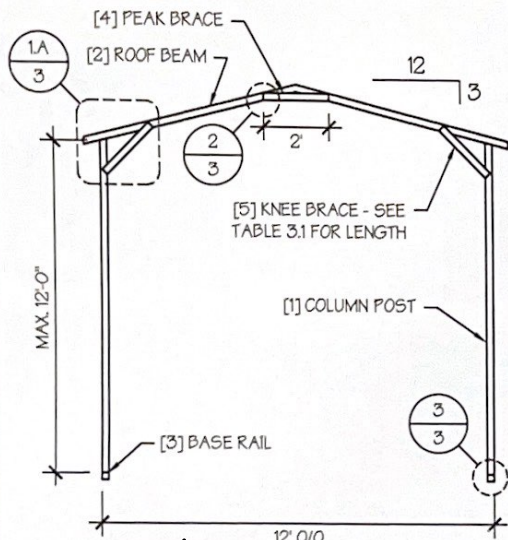
- ANY DUPLICATION OF THIS DRAWING IN WHOLE OR PART IS STRICTLY FORBIDDEN. ANYONE DOING SO WILL BE PROSECUTED UNDER THE FULL EXTENT OF THE LAW. - DRAWINGS VALID UP TO 1 YEAR FROM DATE OF ISSUE.

SEAL:

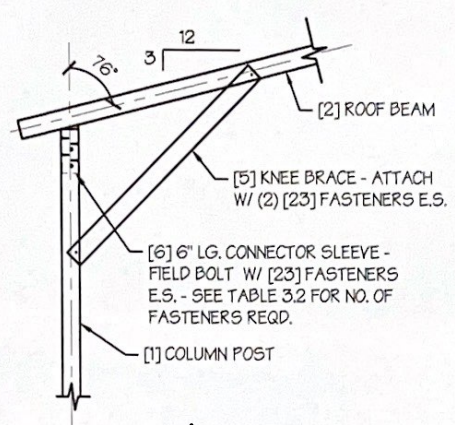


DATE EXPIRES: 12-31-2024

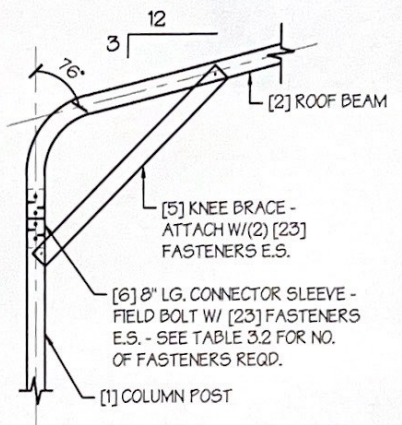
DATE SIGNED: 08-30-2023



TYP. A-FRAME SECTION
SCALE: NTS

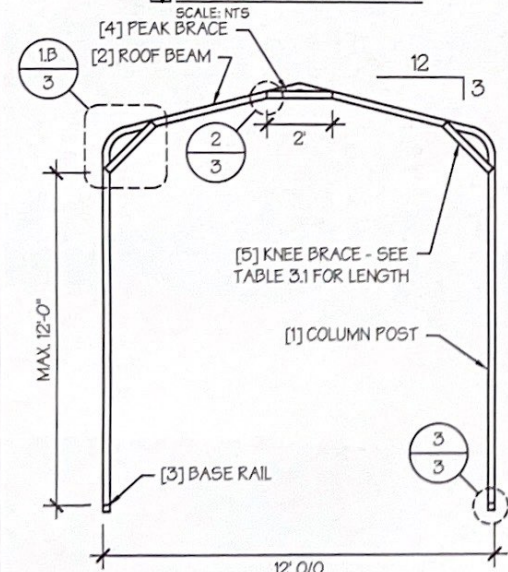


A. A-FRAME

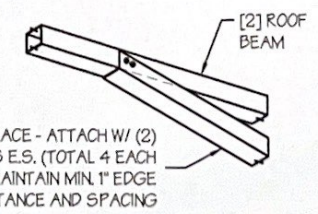


B. REGULAR FRAME

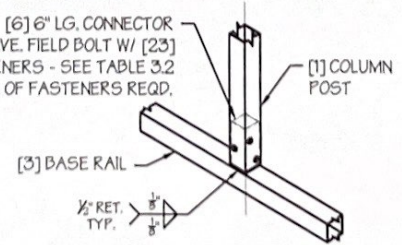
EAVE DETAIL 1
SCALE: NTS



TYP. REGULAR FRAME SECTION
SCALE: NTS



PEAK BRACE CONNECTION DETAILS 2
SCALE: NTS



BASE DETAIL 3
SCALE: NTS

TABLE 3.1: KNEE BRACE SCHEDULE

EAVE HEIGHT	KNEE BRACE LENGTH
<input checked="" type="checkbox"/> UP TO 8'	24"
<input type="checkbox"/> 9' TO 12'	36"

TABLE 3.2 FASTENER SCHEDULE

WIND SPEED (MPH)	NO. OF FASTENERS
<input checked="" type="checkbox"/> 105 TO 125	4
<input type="checkbox"/> 130 TO 155	6
<input type="checkbox"/> 160 TO 180	8

NOTE: COLUMN POST MAY BE ADJUSTED ±1" FOR LEVELING. MANUFACTURER IS NOT RESPONSIBLE FOR LEVELING OF GROUND AND/OR CONCRETE SURFACE PROVIDED BY OTHERS.

TABLE 4: FRAME SPACING CHART / SCHEDULE

GROUND SNOW / ROOF LIVE LOAD (PSF)	ENCLOSED BUILDINGS							OPEN BUILDINGS						
	WIND SPEED (MPH)							WIND SPEED (MPH)						
	105	115	130	140	155	165	180	105	115	130	140	155	165	180
30 / 20	60	60	54/60	54	42	42	36	60	54/60	48/60	42/54	36/42	36/42	36
40 / 27	48/60	48/60	42/60	42/54	42	42	36	48/60	48/60	42/60	42/54	36/42	36/42	36
50 / 34	40/54	40/54	40/54	40/54	40/42	40/42	36	40/54	40/54	40/54	40/54	36/42	36/42	36
60 / 41	36/48	36/48	36/48	36/48	36/42	36/42	36	36/48	36/48	36/48	36/48	36/42	36/42	36
70 / 47	32/42	32/42	32/42	32/42	32/42	32/42	32/36	32/42	32/42	32/42	32/42	32/42	32/42	32/36
80 / 54	30/42	30/42	30/42	30/42	30/36	30/36	30/36	30/42	30/42	30/42	30/42	30/36	30/36	30/36
90 / 61	30/36	30/36	30/36	30/36	30/36	30	30	30/36	30/36	30/36	30/36	30	30	30
30 / 20	60	60	54/60	54	48	42/48	42	60	54/60	48/60	42/54	36/48	36/48	36/42
40 / 27	48/60	48/60	42/60	42/54	42/48	42/48	42	48/60	48/60	42/60	42/54	36/48	36/48	36/42
50 / 34	40/54	40/54	40/54	40/54	40/48	40/48	40/42	40/54	40/54	40/54	40/54	36/48	36/48	36/42
60 / 41	36/48	36/48	36/48	36/48	36/48	36/48	36/42	36/48	36/48	36/48	36/48	36/48	36/48	36/42
70 / 47	32/42	32/42	32/42	32/42	32/42	32/42	32/42	32/42	32/42	32/42	32/42	32/42	32/42	32/42
80 / 54	30/42	30/42	30/42	30/42	30/36	30/36	30/36	30/42	30/42	30/42	30/42	30/36	30/36	30/36
90 / 61	30/36	30/36	30/36	30/36	30/36	30/36	30/36	30/36	30/36	30/36	30/36	30/36	30/36	30/36
30 / 20	60	60	54/60	54	48	42/48	42	60	54/60	48/60	42/54	36/48	36/48	36/42
40 / 27	48/60	48/60	42/60	42/54	42/48	42/48	42	48/60	48/60	42/60	42/54	36/48	36/48	36/42
50 / 34	40/54	40/54	40/54	40/54	40/48	40/48	40/42	40/54	40/54	40/54	40/54	36/48	36/48	36/42
60 / 41	36/48	36/48	36/48	36/48	36/48	36/48	36/42	36/48	36/48	36/48	36/48	36/48	36/48	36/42
70 / 47	32/42	32/42	32/42	32/42	32/42	32/42	32/42	32/42	32/42	32/42	32/42	32/42	32/42	32/42
80 / 54	30/42	30/42	30/42	30/42	30/36	30/36	30/36	30/42	30/42	30/42	30/42	30/36	30/36	30/36
90 / 61	30/36	30/36	30/36	30/36	30/36	30/36	30/36	30/36	30/36	30/36	30/36	30/36	30/36	30/36

NOTES:

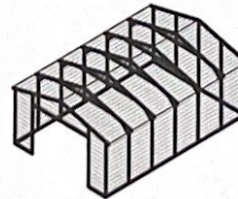
1. FRAME SPACINGS ARE IN UNITS OF INCHES (IN).
2. WHERE TWO VALUES ARE SHOWN, THE HIGHER VALUE CAN ONLY BE USED FOR VERTICAL SHEATHING.
3. SNOW LOADS AND ROOF LIVE LOADS ARE IN POUNDS PER SQUARE FOOT (PSF). WIND SPEED IS 3 SEC. GUST IN MILES PER HOUR (MPH).
4. FOR VALUES THAT LIE BETWEEN TWO CELLS, THE HIGHER (MORE STRINGENT) VALUE HAS TO BE USED. INTERPOLATION BETWEEN CELLS IS NOT ALLOWED.

ENCLOSURE CLASSIFICATION:

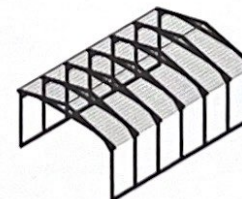
1. ENCLOSED BUILDING = ALL 4 WALLS FULLY ENCLOSED WITH DOORS/WINDOWS = USE ENCLOSED BUILDING SPACING CHART.
2. OPEN BUILDING = ALL 4 WALLS FULLY OPEN = USE OPEN BUILDING SPACING CHART.
3. 3FT PARTIALLY ENCLOSED = BOTH END-WALLS FULLY OPEN, WITH BOTH SIDE-WALLS ONLY 3FT ENCLOSED = USE OPEN BUILDING SPACING CHART.
4. PARTIALLY ENCLOSED = BOTH END-WALLS FULLY OPEN, WITH BOTH SIDE-WALLS ENCLOSED MORE THAN 3FT = START WITH OPEN BUILDING SPACING CHART AND THEN REDUCE SPACING BY 6".
5. 3 SIDED ENCLOSED = ALL WALLS ARE ENCLOSED EXCEPT FOR 1 END-WALL = START WITH ENCLOSED BUILDING SPACING + THE OPEN END FRAME MUST HAVE EITHER A GABLED END OR HAVE DOUBLED WELDED LEGS.
6. FOR ALL SHEATHING ENCLOSURES NOT LISTED ABOVE, REFER TO SHEET 5 FOR SPACING AND DESIGN REQUIREMENTS.

GENERAL NOTES:

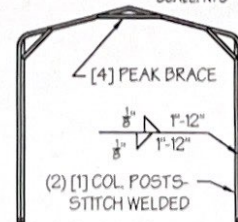
1. THE MAX. BUILDING LENGTH FOR ENCLOSED BUILDINGS IS 50'-0". THIS CAN BE INCREASED BY ADDING A DOUBLE FRAME AT THE CENTER TO BREAK THE LENGTH OF THE BUILDING.
2. BUILDINGS WITH PARTIALLY ENCLOSED END WALLS NEED TO HAVE SIDE WALL BRACING TO SUPPORT THE PARTIALLY ENCLOSED END WALL. (SEE FIGURE A ON SHEET 5).



TYP. ENCLOSED BUILDING
SCALE: NTS



TYP. OPEN BUILDING
SCALE: NTS



TYP. OPEN END WALL ON 3
SIDE ENCLOSED BUILDING
SCALE: NTS

MANUFACTURED BY:



DRAWING INFORMATION

PROJECT: 12'-0" WIDE BUILDINGS
 LOCATION: STATE OF NORTH CAROLINA
 PROJECT NO.: 325-23-2447
 SHEET TITLE:

SPACING SCHEDULES
& ENCLOSURE NOTES

SHEET NO.: 4 / 11
 DRAWN BY: AW DATE: 7/18/22
 CHECKED BY: OAA DATE: 7/18/22

LEGAL INFORMATION

- ANY DUPLICATION OF THIS DRAWING IN WHOLE OR PART IS STRICTLY FORBIDDEN. ANYONE DOING SO WILL BE PROSECUTED UNDER THE FULL EXTENT OF THE LAW.
 - DRAWINGS VALID UP TO 1 YEAR FROM DATE OF ISSUE.

SEAL:



DATE EXPIRES: 12-31-2024
 DATE SIGNED: 08-30-2023

TABLE 5.1: PURLIN SPACING SCHEDULE

GROUND SNOW / ROOF LIVE LOAD (PSF)	14GA HAT CHANNEL PURLIN								18GA HAT CHANNEL PURLIN							
	WIND SPEED (MPH)								WIND SPEED (MPH)							
	105	115	130	140	155	165	180	105	115	130	140	155	165	180		
30 / 20	54	48	42	36	30	24	24	36	30	24	18	18	12	12		
40 / 27	42	42	42	36	30	24	24	30	30	24	18	18	12	12		
50 / 34	40	40	40	36	30	24	24	24	24	24	18	18	12	12		
60 / 41	36	36	36	36	30	24	24	18	18	18	18	18	12	12		
70 / 47	32	32	32	32	30	24	24	18	18	18	18	18	12	12		
80 / 54	30	30	30	30	30	24	24	18	18	18	18	18	12	12		
90 / 61	24	24	24	24	24	24	24	12	12	12	12	12	12	12		
30 / 20	54	48	42	42	36	30	30	48	36	30	24	18	18	12		
40 / 27	42	42	42	42	36	30	30	42	36	30	24	18	18	12		
50 / 34	40	40	40	40	36	30	30	30	30	30	24	18	18	12		
60 / 41	36	36	36	36	36	30	30	30	30	30	24	18	18	12		
70 / 47	32	32	32	32	32	30	30	24	24	24	24	18	18	12		
80 / 54	32	32	32	32	32	30	30	18	18	18	18	18	18	12		
90 / 61	30	30	30	30	30	30	30	18	18	18	18	18	18	12		
30 / 20	54	48	42	42	36	36	30	54	48	36	30	24	24	18		
40 / 27	42	42	42	42	36	36	30	42	42	36	30	24	24	18		
50 / 34	40	40	40	40	36	36	30	40	40	36	30	24	24	18		
60 / 41	36	36	36	36	36	36	30	36	36	36	30	24	24	18		
70 / 47	32	32	32	32	32	32	30	30	30	30	30	24	24	18		
80 / 54	32	32	32	32	32	32	30	24	24	24	24	24	24	18		
90 / 61	30	30	30	30	30	30	30	24	24	24	24	24	24	18		
30 / 20	54	48	42	42	36	36	30	54	48	42	42	36	30	30		
40 / 27	42	42	42	42	36	36	30	42	42	42	42	36	30	30		
50 / 34	40	40	40	40	36	36	30	40	40	40	40	36	30	30		
60 / 41	36	36	36	36	36	36	30	36	36	36	36	36	30	30		
70 / 47	32	32	32	32	32	32	30	32	32	32	32	32	30	30		
80 / 54	32	32	32	32	32	32	30	32	32	32	32	32	30	30		
90 / 61	30	30	30	30	30	30	30	30	30	30	30	30	30	30		
30 / 20	54	48	42	42	36	36	30	54	48	42	42	36	36	30		
40 / 27	42	42	42	42	36	36	30	42	42	42	42	36	36	30		
50 / 34	40	40	40	40	36	36	30	40	40	40	40	36	36	30		
60 / 41	36	36	36	36	36	36	30	36	36	36	36	36	36	30		
70 / 47	32	32	32	32	32	32	30	32	32	32	32	32	32	30		
80 / 54	32	32	32	32	32	32	30	32	32	32	32	32	32	30		
90 / 61	30	30	30	30	30	30	30	30	30	30	30	30	30	30		

NOTES:

- PURLIN SPACING UNITS ARE IN INCHES.
- FRAME SPACING NEEDS TO BE DETERMINED FROM TABLE 4.

IRREGULAR BUILDING NOTES:

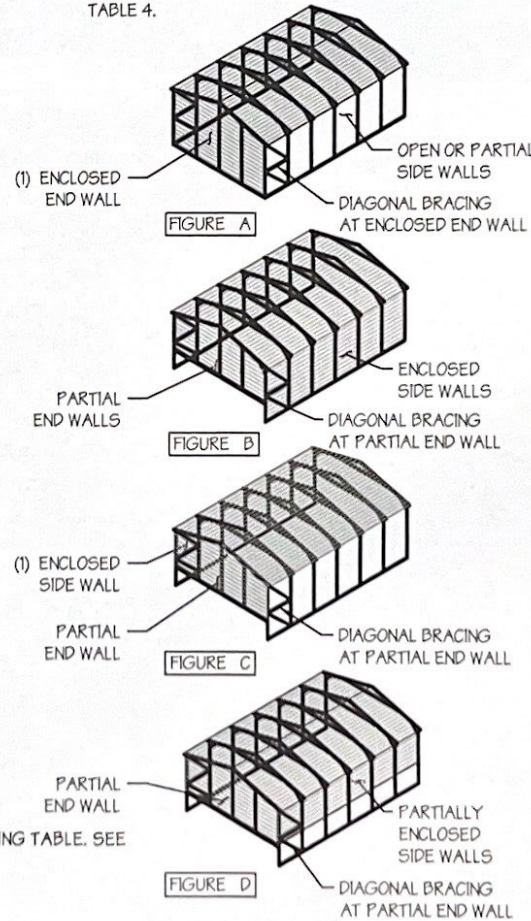
- FIGURES A, B, C & D ON THE RIGHT INDICATE EXAMPLES OF IRREGULAR BUILDINGS.
- FOR IRREGULAR BUILDINGS, FRAME SPACING MUST BE REDUCED BY 12" FROM OPEN BUILDING SPACING TABLE. SEE SHEET 4 FOR OPEN BUILDING TABLE.
- SITE SPECIFICS MAY ALLOW FOR ALTERNATIVE SPACING.

TABLE 5.2: GIRT SPACING SCHEDULE

FRAME SPACING	WIND SPEED (MPH)						
	105	115	130	140	155	165	180
5'-0"	60	48	36	30	24	24	18
4'-6"	60	60	48	42	36	30	24
4'-0"	60	60	54	54	42	36	30
3'-6"	60	60	54	54	48	42	42
2'-0" TO 3'-0"	60	60	54	54	48	42	42

NOTES:

- GIRT SPACING UNITS ARE IN INCHES.
- THIS SCHEDULE IS TO BE USED FOR BOTH 14GA AND 18 GA GIRTS.
- FRAME SPACING NEEDS TO BE DETERMINED FROM TABLE 4.



MANUFACTURED BY:



DRAWING INFORMATION

PROJECT: 12'-0" WIDE BUILDINGS
 LOCATION: STATE OF NORTH CAROLINA
 PROJECT NO.: 325-23-2447
 SHEET TITLE:

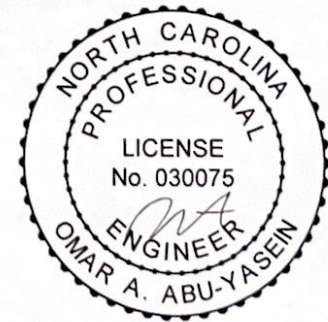
PURLIN & GIRT SPACING SCHEDULES

SHEET NO.: 5 / 11
 DRAWN BY: AW DATE: 7/18/22
 CHECKED BY: OAA DATE: 7/18/22

LEGAL INFORMATION

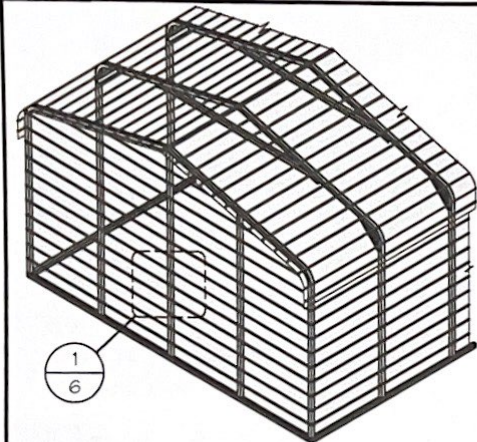
- ANY DUPLICATION OF THIS DRAWING IN WHOLE OR PART IS STRICTLY FORBIDDEN. ANYONE DOING SO WILL BE PROSECUTED UNDER THE FULL EXTENT OF THE LAW.
 - DRAWINGS VALID UP TO 1 YEAR FROM DATE OF ISSUE.

SEAL:

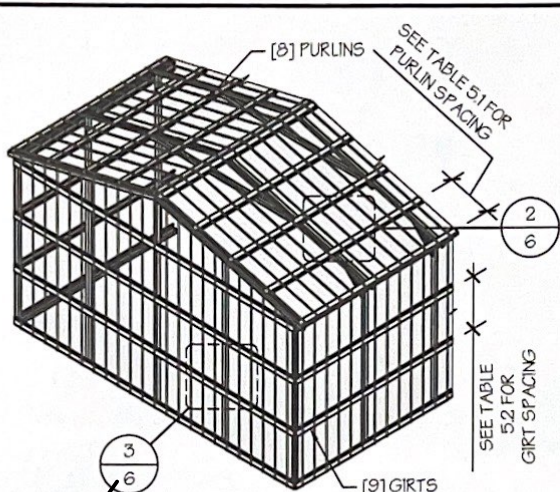


DATE EXPIRES: 12-31-2024

DATE SIGNED: 08-30-2023



TYP. HORIZONTAL SHEATHING
SCALE: NTS



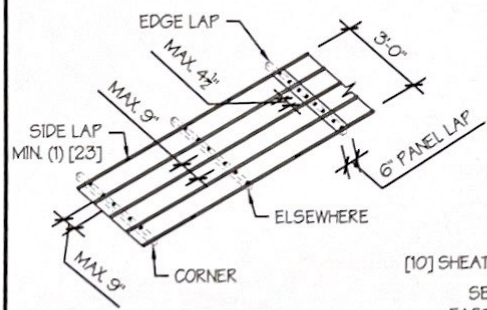
TYP. VERTICAL SHEATHING
SCALE: NTS

GENERAL SHEATHING NOTES:

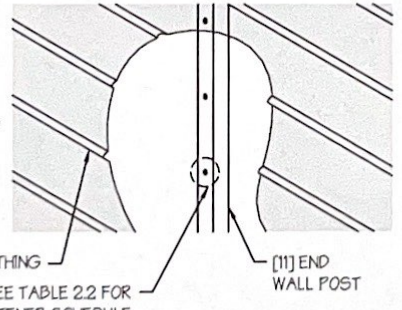
1. REGULAR STYLE BUILDINGS CAN ONLY HAVE HORIZONTAL SHEATHING ON ROOF AND WALLS.
2. A-FRAME STYLE BUILDINGS CAN HAVE ANY COMBINATION OF HORIZONTAL OR VERTICAL SHEATHING ON ROOFS AND WALLS.
3. BOTH HORIZONTAL AND VERTICALS ROOF SHEATHING CAN HAVE MAX. 6" OVERHANG.
4. USING VERTICAL SHEATHING MAY ALLOW FOR GREATER FRAME SPACING. SEE NOTE 2 UNDER TABLE 4.
5. VERTICAL SHEATHING RECOMMENDED FOR BUILDINGS 30' OR LONGER

MANUFACTURED BY:

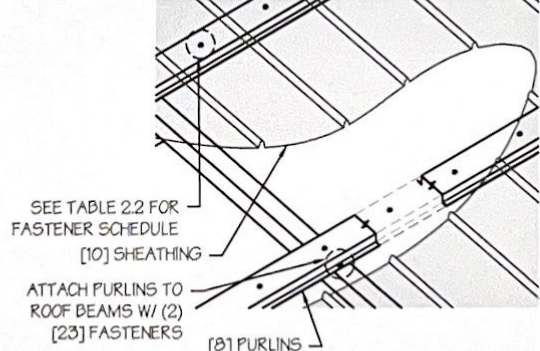
HERITAGE STEEL



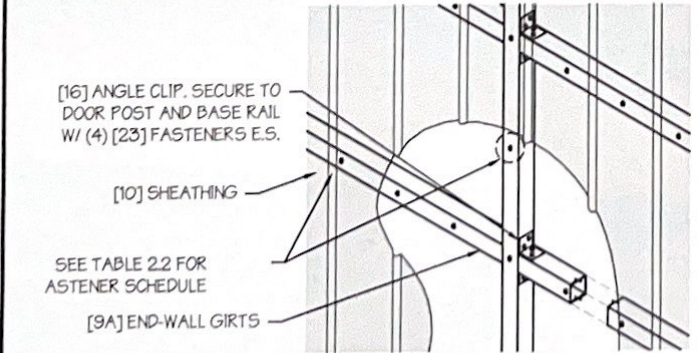
TYP. SHEATHING FASTENER SCHEDULE
SCALE: NTS



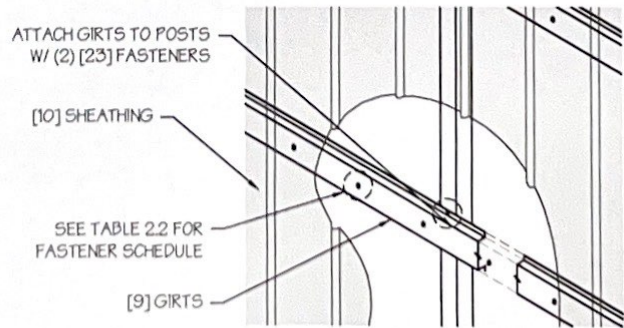
TYP. HORIZONTAL SHEATHING DETAIL 1
SCALE: NTS



ROOF VERTICAL SHEATHING DETAIL 2
SCALE: NTS



WALL VERTICAL SHEATHING - TUBE DETAIL 3
SCALE: NTS



WALL VERTICAL SHEATHING - HAT CHANNEL DETAIL 3
SCALE: NTS

DRAWING INFORMATION

PROJECT: 12'-0" WIDE BUILDINGS
 LOCATION: STATE OF NORTH CAROLINA
 PROJECT NO.: 325-23-2447
 SHEET TITLE: SHEATHING OPTIONS & DETAILS
 SHEET NO.: 6 / 11
 DRAWN BY: AW DATE: 7/18/22
 CHECKED BY: OAA DATE: 7/18/22

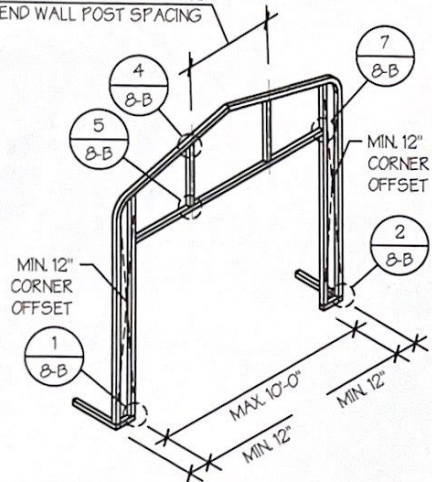
LEGAL INFORMATION

- ANY DUPLICATION OF THIS DRAWING IN WHOLE OR PART IS STRICTLY FORBIDDEN. ANYONE DOING SO WILL BE PROSECUTED UNDER THE FULL EXTENT OF THE LAW.
 - DRAWINGS VALID UP TO 1 YEAR FROM DATE OF ISSUE.

SEAL:

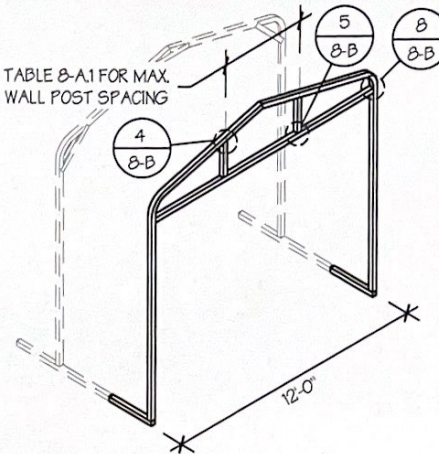
DATE EXPIRES: 12-31-2024
 DATE SIGNED: 08-30-2023

SEE TABLE 8-A1 FOR MAX
END WALL POST SPACING



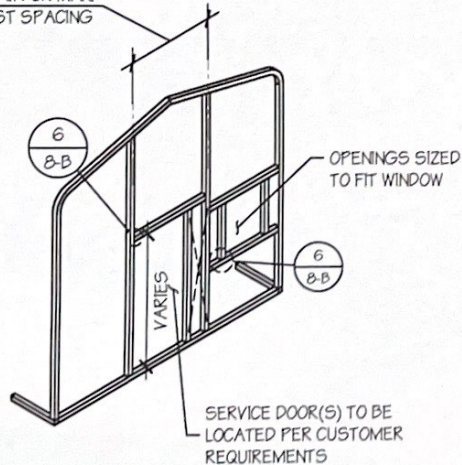
END WALL OVER HEAD DOOR OPENINGS
SCALE: NTS

SEE TABLE 8-A1 FOR MAX
END WALL POST SPACING



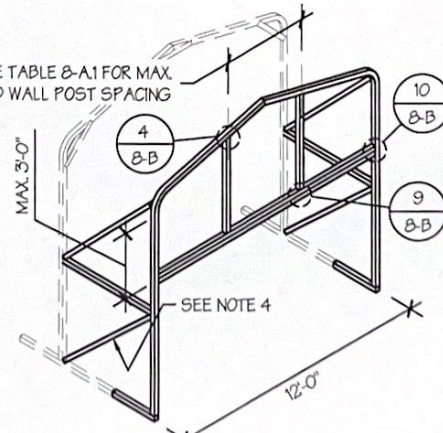
END WALL GABLES
SCALE: NTS

SEE TABLE 8-A1 FOR MAX
END WALL POST SPACING



END WALL SERVICE DOOR AND WINDOW OPENINGS
SCALE: NTS

SEE TABLE 8-A1 FOR MAX
END WALL POST SPACING



PARTIAL END WALL FRAMING
SCALE: NTS

TABLE 8-A1: END WALL POST
SPACING SCHEDULE

WIND SPEED (MPH)	EAVE HEIGHT		
	UP TO 7'	8' TO 9'	10' TO 12'
<input type="checkbox"/> 105	5'	5'	5'
<input checked="" type="checkbox"/> 115	5'	5'	4.5'
<input type="checkbox"/> 130	4.5'	4.5'	4'
<input type="checkbox"/> 140	4.5'	4.5'	3'
<input type="checkbox"/> 155	4'	4'	2.5'
<input type="checkbox"/> 165 - 180	3.5'	3'	2'

END WALL FRAMING NOTES:

- DESIGNS AND DETAILS SHOWN HERE ARE APPLICABLE TO BOTH REGULAR AND A-FRAME STYLE BUILDINGS.
- MIN. 12" CLEARANCE MUST BE MAINTAINED BETWEEN ANY TWO OPENINGS (OVERHEAD DOOR OR SERVICE DOOR) AND FROM CORNERS.
- SERVICE DOORS AND WINDOWS CAN BE PLACED AS NEEDED.
- DIAGONAL BRACES NEED TO BE ADDED FOR PARTIAL END WALL ENCLOSURES. SEE SHEET 9 FOR DIAGONAL BRACE CONNECTION DETAILS.

MANUFACTURED BY:



DRAWING INFORMATION

PROJECT: 12'-0" WIDE BUILDINGS
LOCATION: STATE OF NORTH CAROLINA
PROJECT NO.: 325-23-2447
SHEET TITLE:

END WALL FRAMING

SHEET NO.: 8-A / 11
DRAWN BY: AW DATE: 7/18/22
CHECKED BY: OAA DATE: 7/18/22

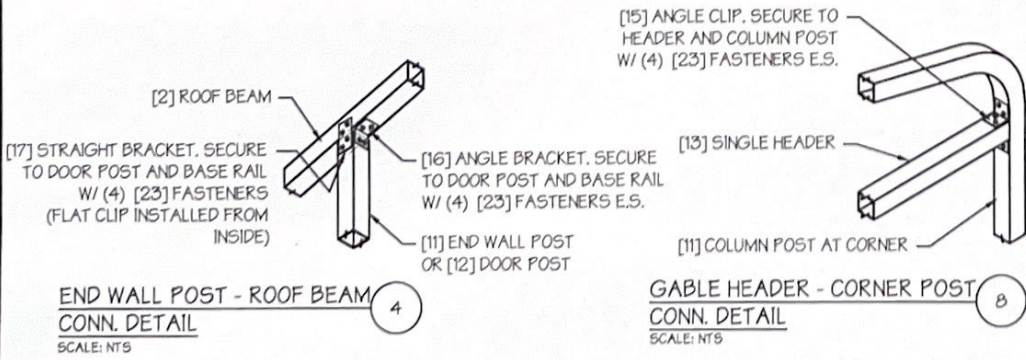
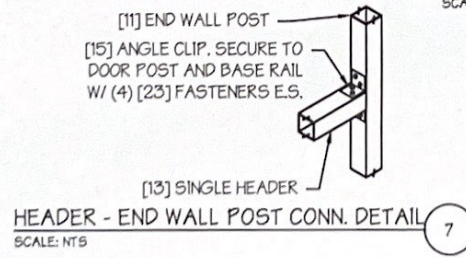
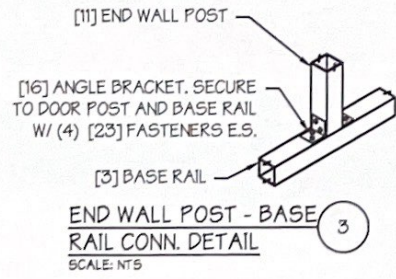
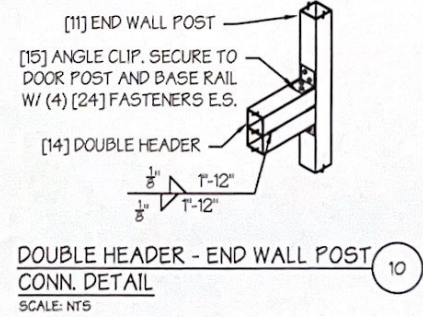
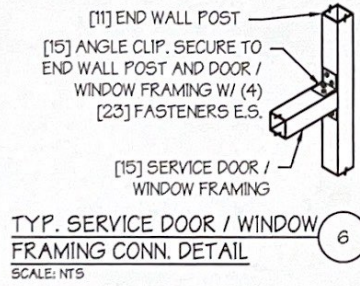
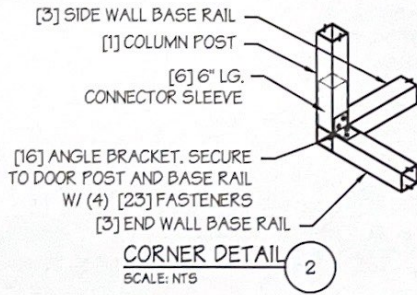
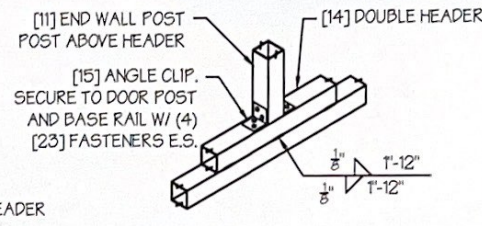
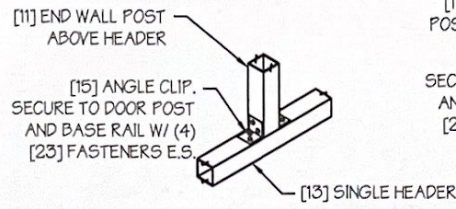
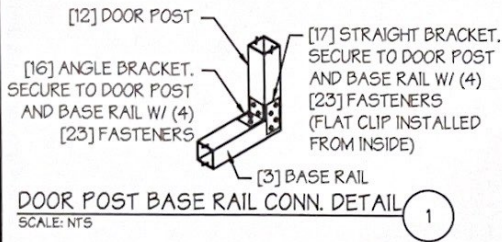
LEGAL INFORMATION

- ANY DUPLICATION OF THIS DRAWING IN WHOLE OR PART IS STRICTLY FORBIDDEN. ANYONE DOING SO WILL BE PROSECUTED UNDER THE FULL EXTENT OF THE LAW.
- DRAWINGS VALID UP TO 1 YEAR FROM DATE OF ISSUE.

SEAL:



DATE EXPIRES: 12-31-2024
DATE SIGNED: 08-30-2023



MANUFACTURED BY:

DRAWING INFORMATION

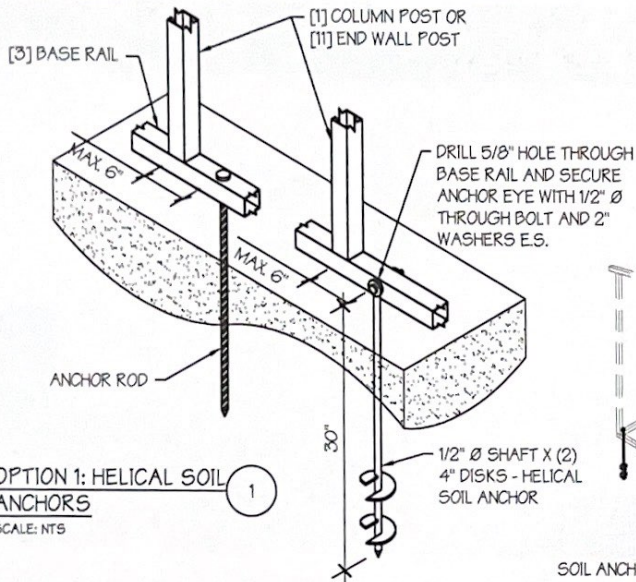
PROJECT: 12'-0" WIDE BUILDINGS
LOCATION: STATE OF NORTH CAROLINA
PROJECT NO.: 325-23-2447
SHEET TITLE: END WALL FRAMING DETAILS
SHEET NO.: 8-B / 11
DRAWN BY: AW DATE: 7/18/22
CHECKED BY: OAA DATE: 7/18/22

LEGAL INFORMATION

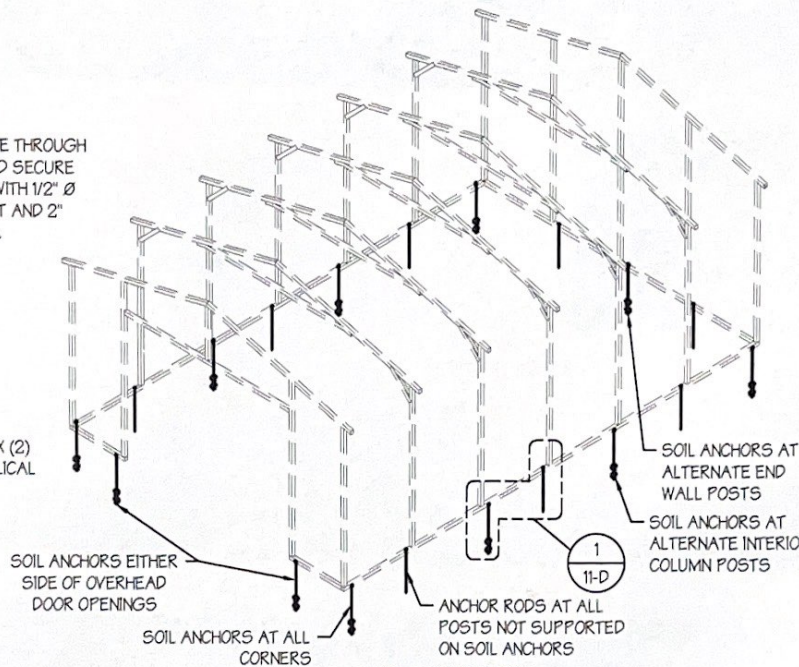
- ANY DUPLICATION OF THIS DRAWING IN WHOLE OR PART IS STRICTLY FORBIDDEN. ANYONE DOING SO WILL BE PROSECUTED UNDER THE FULL EXTENT OF THE LAW.
- DRAWINGS VALID UP TO 1 YEAR FROM DATE OF ISSUE.

SEAL:

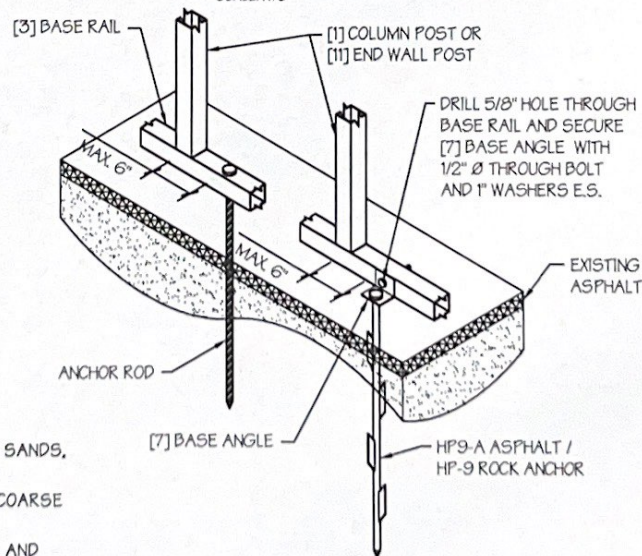
DATE EXPIRES: 12-31-2024
DATE SIGNED: 08-30-2023



OPTION 1: HELICAL SOIL ANCHORS
SCALE: NTS



SOIL FOUNDATION
SCALE: NTS



OPTION 2: ROCK / ASPHALT ANCHORS
SCALE: NTS

SOIL FOUNDATION NOTES:

- DESIGNS SHOWN ON THIS SHEET ARE FOR SOIL ANCHOR FOUNDATION.
- SOIL ANCHORS (HELICAL OR ROCK/ASPHALT) SHALL BE LOCATED AT ALL 4 CORNERS, ON EACH SIDE OF OVERHEAD DOOR OPENINGS, ON POSTS WITH DIAGONAL BRACING IF REQUIRED, AND ON ALTERNATE INTERIOR COLUMN POSTS AND END WALLS POSTS.
- HELICAL ANCHORS ARE TO BE USED ONLY IF THE DRIVING TORQUE INTO THE GROUND IS 150 FT-LBS OR GREATER. MANUFACTURER IS NOT RESPONSIBLE FOR SOIL QUALITY AT SITE.
- HELICAL ANCHORS CAN ONLY BE USED FOR CLASS 2, 3 & 4 SOILS (SEE SOIL CLASSIFICATIONS THIS PAGE).
- ALL POSTS WITH NO ANCHORS ADJACENT SHALL BE ANCHORED TO THE GROUND WITH A 1/2" X 30" LG. ROD. RODS WILL HAVE A PRE-FORMED HEAD AT THE TOP AND ONE COAT OF RUST PROOF MATERIAL.
- ASSUMED SOIL BEARING CAPACITY IS TO BE A MIN. OF 1500 PSF.

SOIL CLASSIFICATIONS:

SOIL CLASS	DESCRIPTION
2	SANDY GRAVEL AND GRAVEL, VERY THIN DENSE AND/OR CEMENTED SANDS, COARSE GRAVEL/COBBLES, PRELOADED SILTS, CLAYS AND CORAL.
3	SAND, SILTY SAND, CLAYEY SAND, SILTY GRAVEL, MEDIUM DENSE COARSE SANDS, SANDY GRAVEL, VERY STIFF SILT AND SANDY CLAYS.
4	LOOSE TO MEDIUM DENSE SANDS, FIRM TO STIFF CLAYS AND SILTS AND ALLUVIAL FILLS.

*FROM HUD "MODEL MANUFACTURED HOME INSTALLATION STANDARDS"

MANUFACTURED BY:



DRAWING INFORMATION

PROJECT: 12'-0" WIDE BUILDINGS
 LOCATION: STATE OF NORTH CAROLINA
 PROJECT NO.: 325-23-2447
 SHEET TITLE: FOUNDATION OPTION 4: SOIL ANCHORS
 SHEET NO.: 11-D / 11
 DRAWN BY: AW DATE: 7/18/22
 CHECKED BY: OAA DATE: 7/18/22

LEGAL INFORMATION

- ANY DUPLICATION OF THIS DRAWING IN WHOLE OR PART IS STRICTLY FORBIDDEN. ANYONE DOING SO WILL BE PROSECUTED UNDER THE FULL EXTENT OF THE LAW.
 - DRAWINGS VALID UP TO 1 YEAR FROM DATE OF ISSUE.

SEAL:



DATE EXPIRES: 12-31-2024
 DATE SIGNED: 08-30-2023