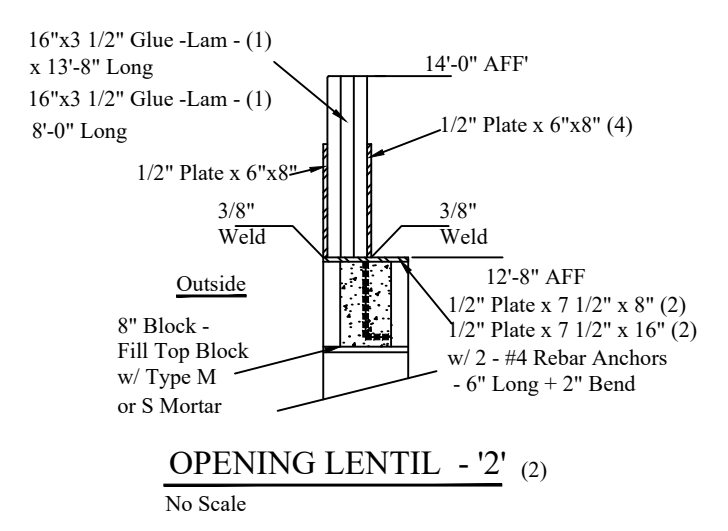
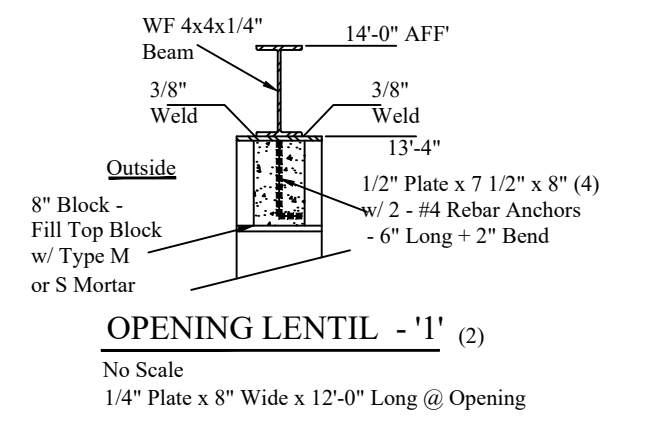


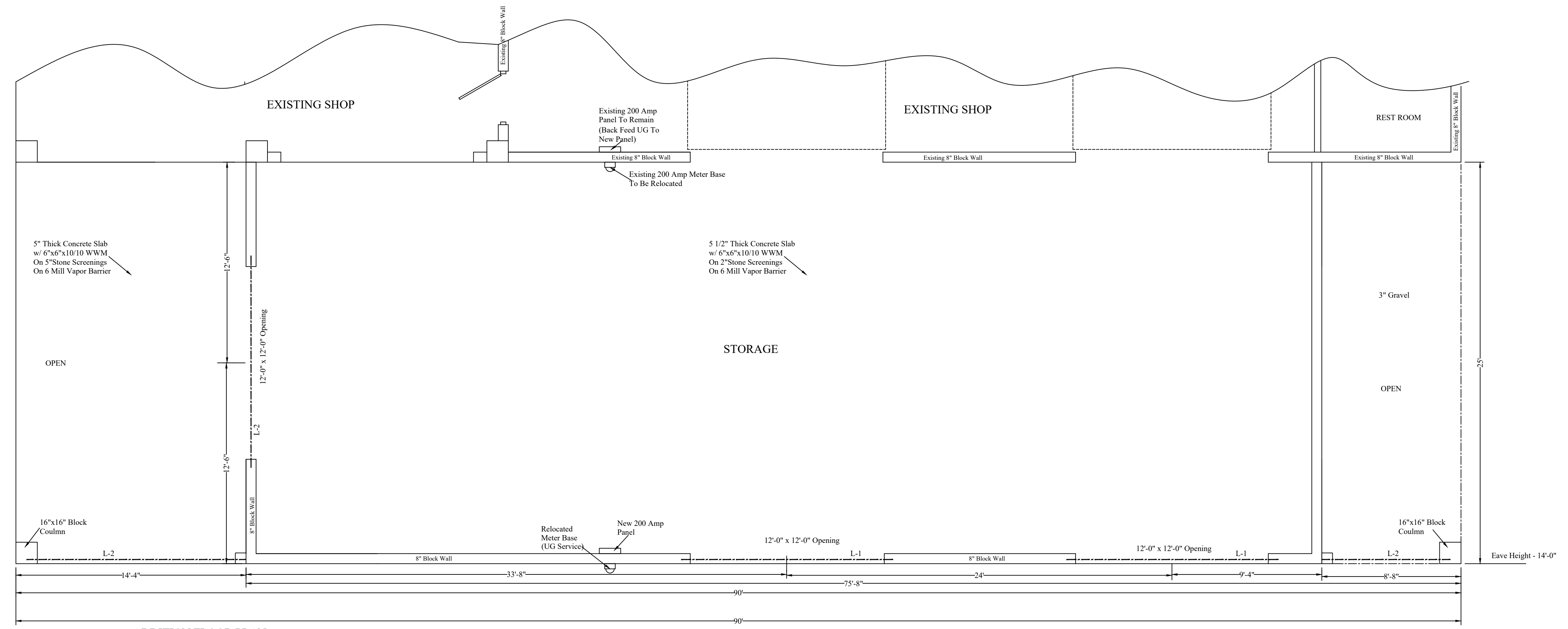
FRONT ELEVATION
Scale: 1/4" = 1'-0"



OPENING LENTIL - 2' (2)
No Scale



OPENING LENTIL - 1' (2)
No Scale
1/4" Plate x 8" Wide x 12'-0" Long @ Opening



ADDITION FLOOR PLAN
Scale: 1/4" = 1'-0"
8" Block Wall

REVISIONS	
NO.	DATE

AN ADDITION FOR JERRY PAGE SHOP
1798 Cameron Road
Broadway, NC 27505

DRAFTING SERVICES
1810 Carabnton Road
Sanford, NC 27330
919-770-1898

SCALE: 1/4" = 1'-0"
DRAWN BY: WRJ
DATE: 8-12-24
CHECKED BY:
DWG. NUMBER:
JOB NUMBER:

SHEET NO:
G - 1