



August 23, 2024

Randy L. Cruse, P.E.
Cruse And Associates, P.A.
414 E. Edgerton Street
Dunn, NC 28334
Email: rcruse@cruseassociates.com

Reference: Engineering Services
102 Gray Stone Lane
Holly Springs, NC 27540
TE&D Project No.: 2401-020694

To Whom It May Concern;

As requested, a representative of Tyndall Engineering & Design, PA (TE&D) is providing analyses for the following item(s):

- 1) Assessment of proposed framing/foundation for covering existing patio.

The following conclusions and recommendations were noted:

- 1) Based on our observations, analysis, and proposed plan provided by the client, we recommend modifying the proposed framing/foundation per pages 2-6 of this report.

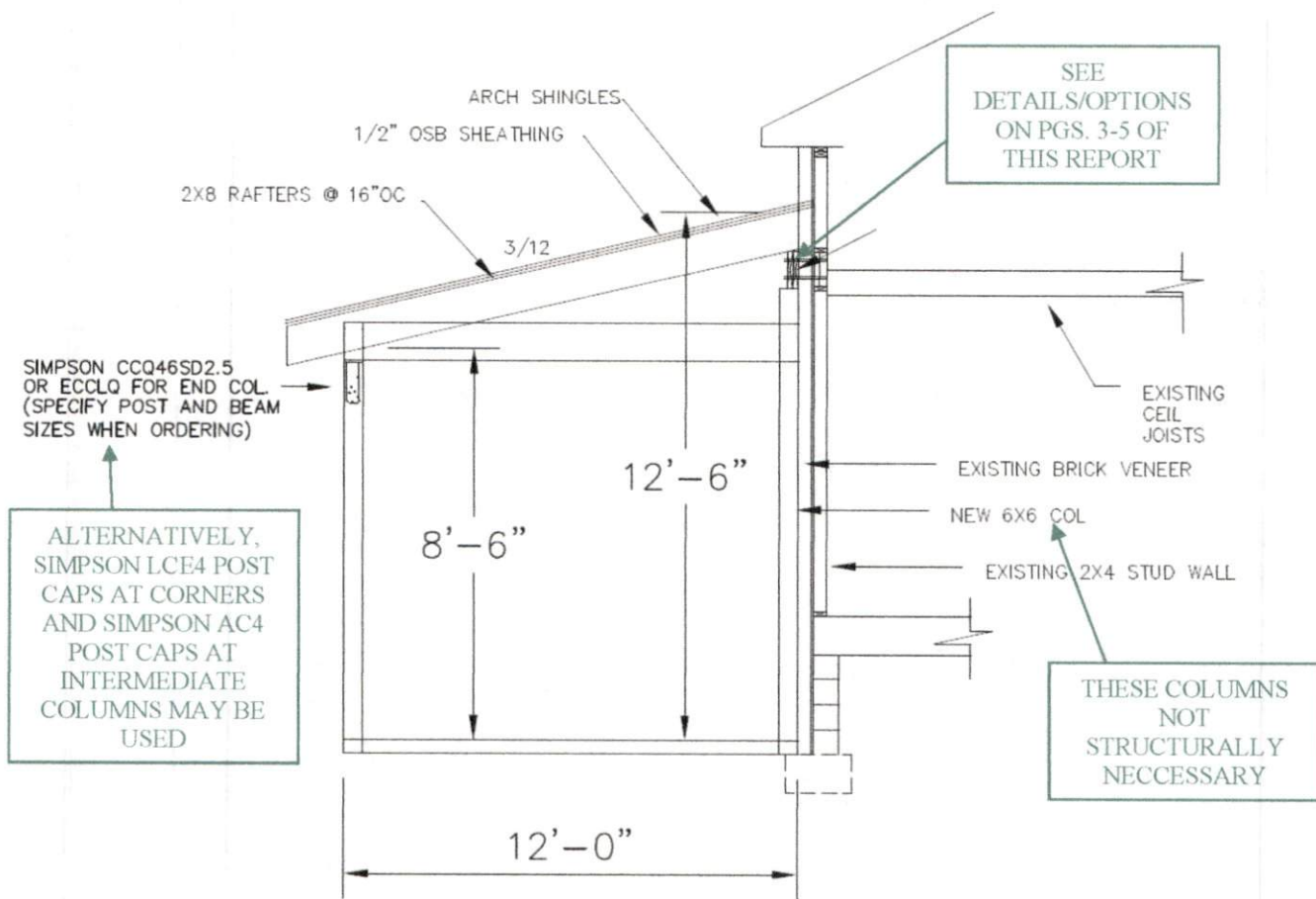
Upon completion, the new covered patio framing/foundation will provide the required support for the anticipated loading conditions. We appreciate being able to assist you during this phase of the project. If you need further assistance or require additional information, please do not hesitate to contact us.

Sincerely,
Tyndall Engineering & Design

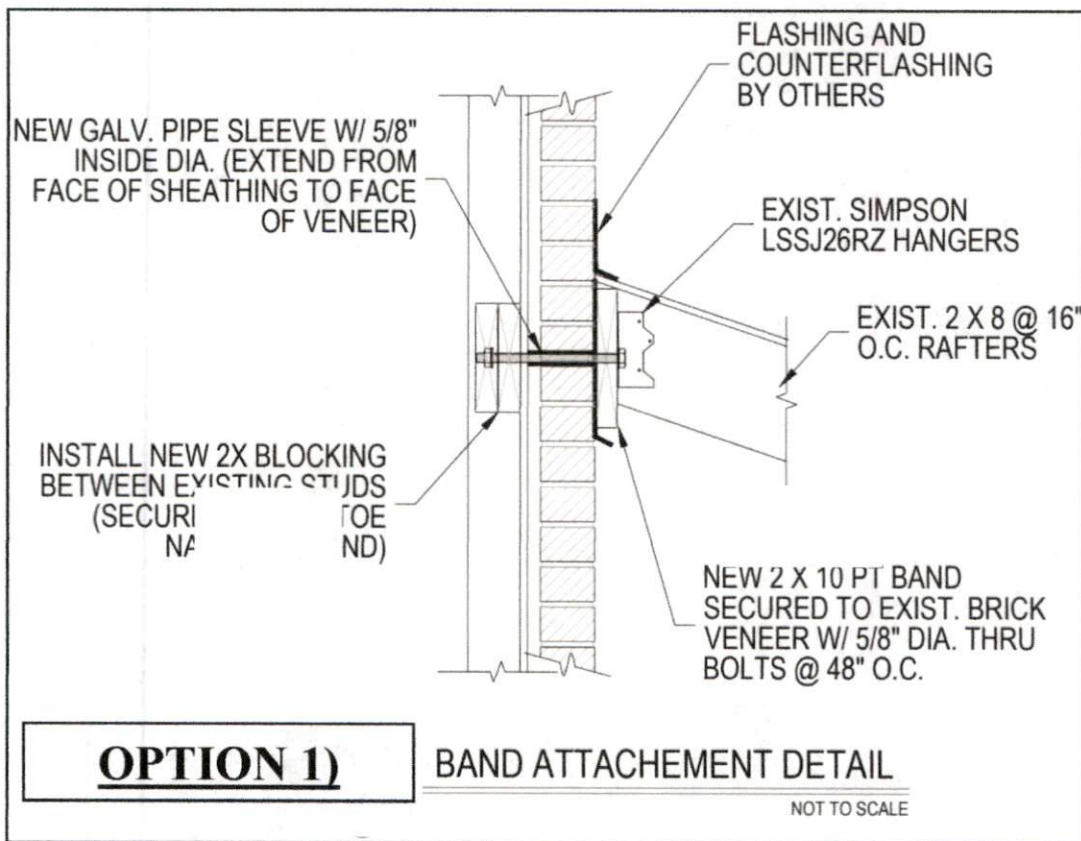
Tripp Amos
PT III | 2401-020694

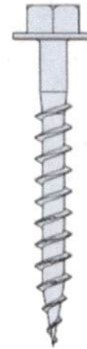
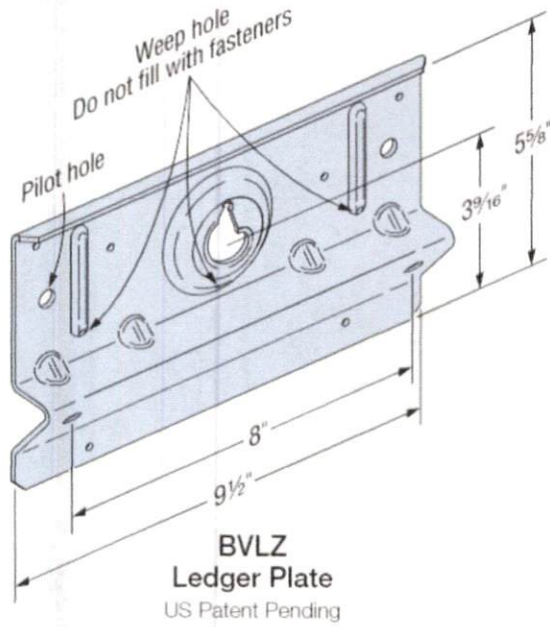
Prentice Tyndall Jr., P.E.



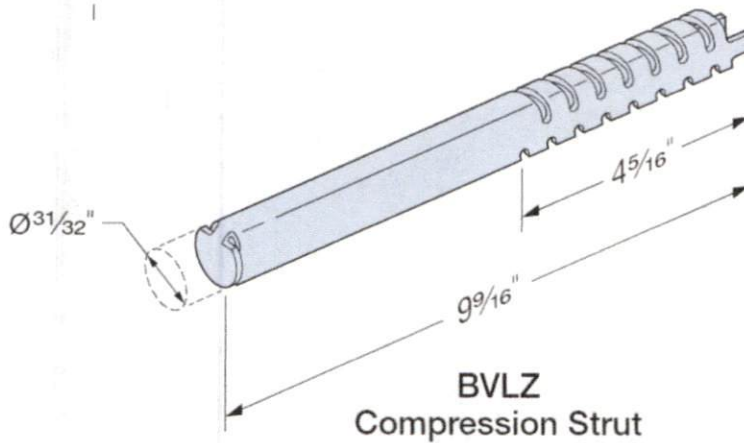


PROPOSED PLAN FOR NEW COVERED PATIO
W/ TE&D RECOMMENDATIONS IN GREEN
[PLAN COURTESY OF CLIENT, NOT TO SCALE]

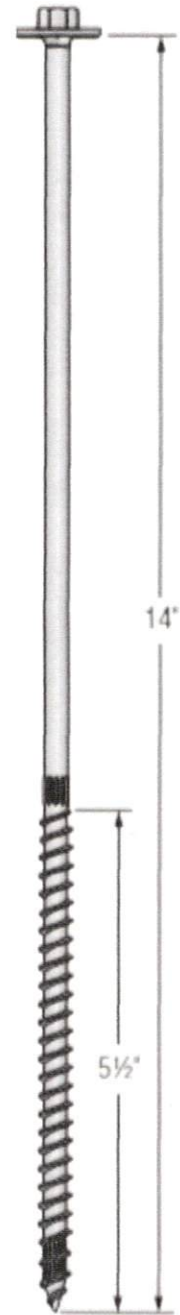




**Strong-Drive®
SD Connector
Screw**
(included)

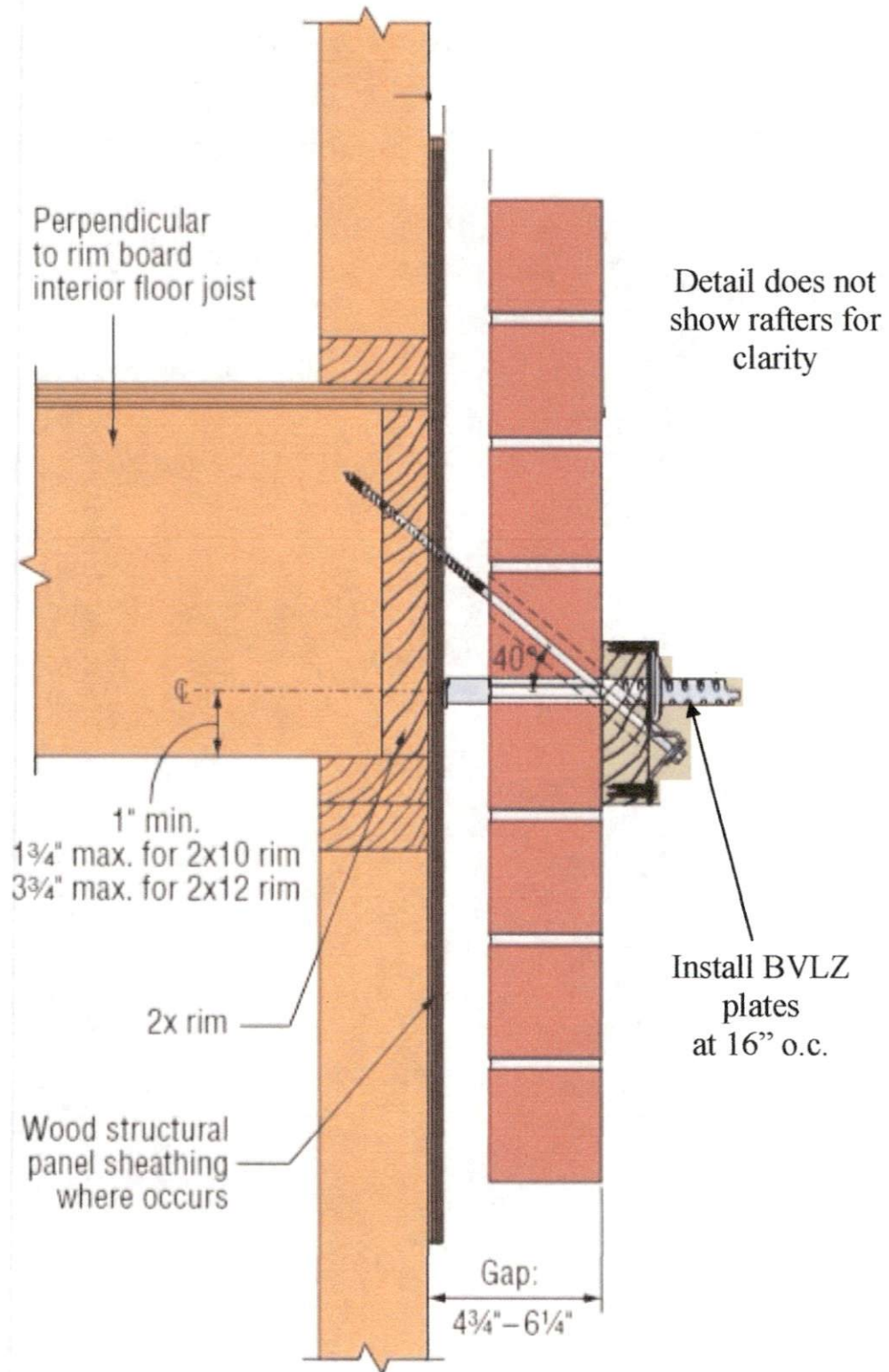


**BVLZ
Compression Strut**

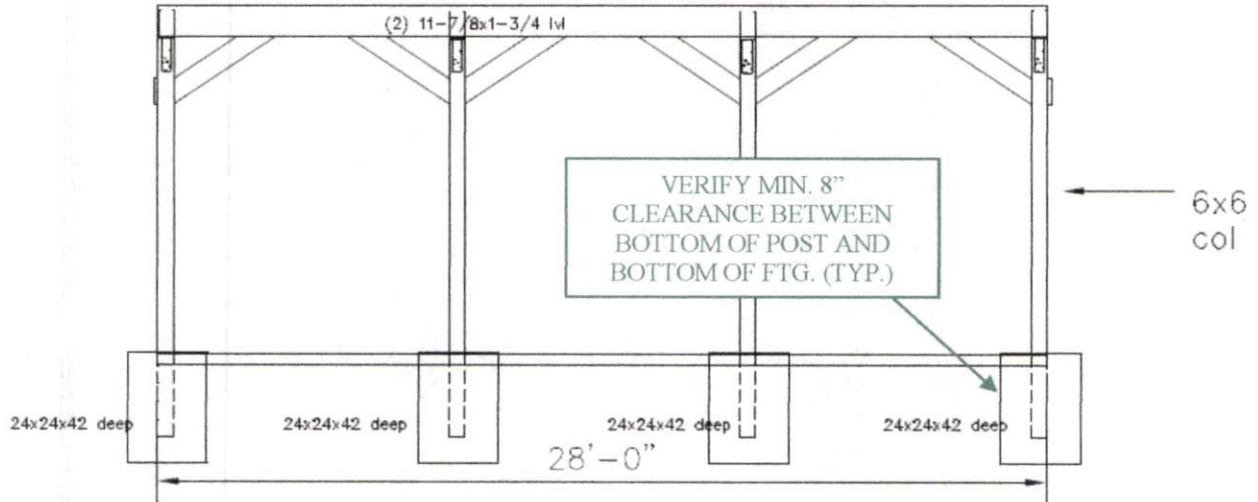


**Strong-Drive®
SDWH
Timber-Hex
HDG Screw**
(included)

OPTION 2
SEE PAGE 5 FOR
INSTALLATION



Typical BVLZ Installation



PROPOSED PLAN FOR NEW COVERED PATIO
(REAR ELEVATION AT ENDBEAM)
W/ TE&D RECOMMENDATIONS IN GREEN
(PLAN COURTESY OF CLIENT, NOT TO SCALE)

