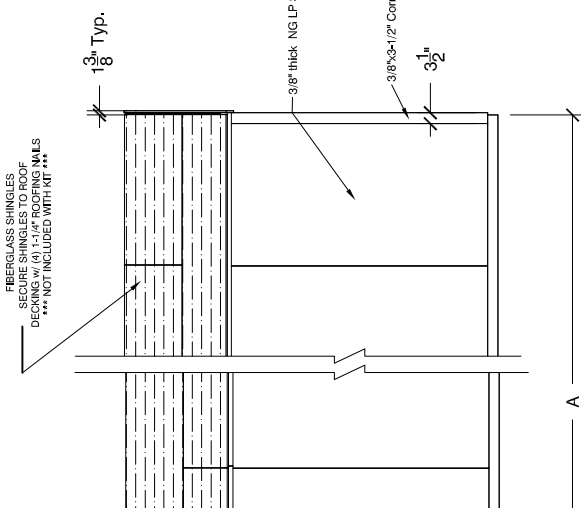
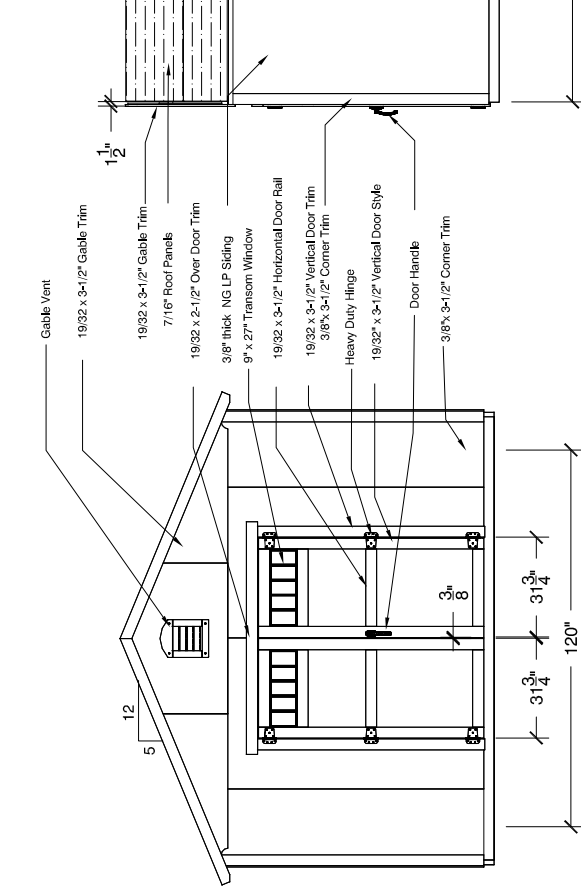


(C) GABLE ELEVATION
SCALE: 3/16" = 1'-0"



(B) EAVE ELEVATION w/o DOOR
SCALE: 3/16" = 1'-0"



(A) GABLE ELEV. w/ DOORS
SCALE: 3/16" = 1'-0"

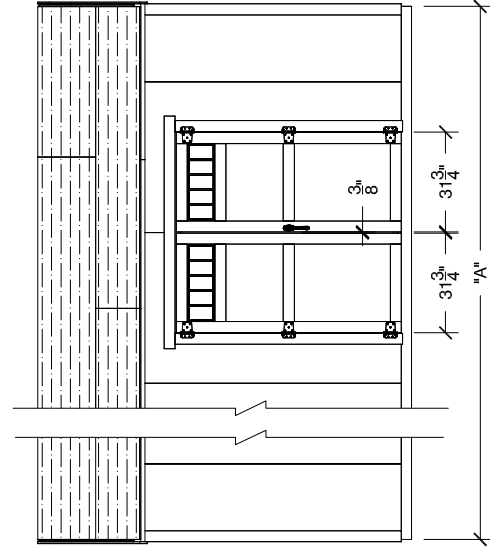
Brian Willis
2024.05.23 14:44:07 -04'00'



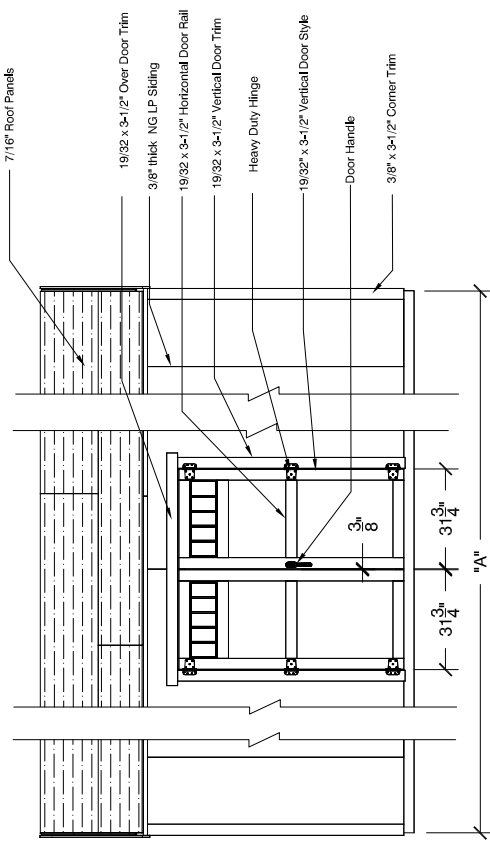
23-MAY-24

NTA Engineering, P.C. 305 N Oakland Ave
Nappanee, Indiana 46550
Engineering COA C-4764

These documents are applicable only to the elements and loading criteria specifically provided herein. These documents shall not be construed in any way to specify, certify or design any aspects of the building not contained herein. Specified design criteria are based solely on information provided by the client and must be verified and approved by the local authority having jurisdiction. NTA Engineering P.C. is not responsible for fabrication or erection. If it is suspected that these drawings have been modified, substituted or altered in any way, contact NTA Engineering P.C. at (574) 773-7975 to obtain a file copy.



(E) EAVE ELEVATION with DOOR OFFSET
SCALE: 3/16" = 1'-0"



(D) EAVE ELEVATION with DOOR CENTER
SCALE: 3/16" = 1'-0"

**12'-0" HANOVER/LANCASTER
GABLE STYLE ELEVATIONS**



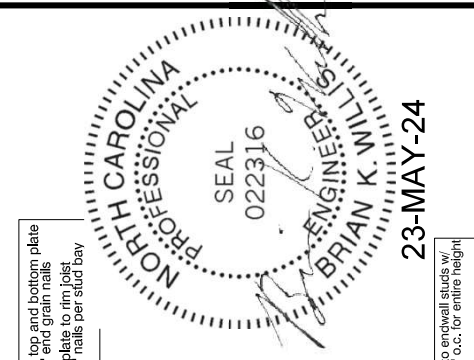
DESIGN CRITERIA: ASCE 7-16

Floor Live Load (psf)	50
Floor Dead Load (psf)	10
Roof Live Load (psf)	23.1
Roof Dead Load (psf)	10
Ground Snow Load (psf)	30

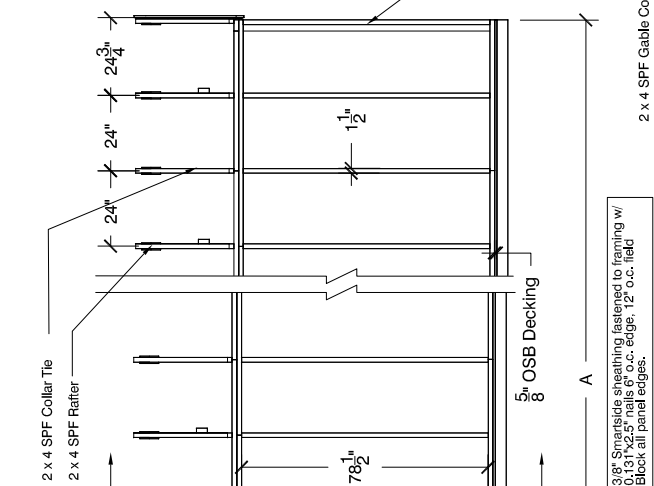
Wind Speed (Vult)	150 mph
Wind Speed (Vasd)	117 mph
Wind Exposure	C
Seismic Design Category	C

Depth Dim. "A "	12'-0"	16'-0"	18'-0"	20'-0"	24'-0"
Gable Style					
12'-0" wide by:					

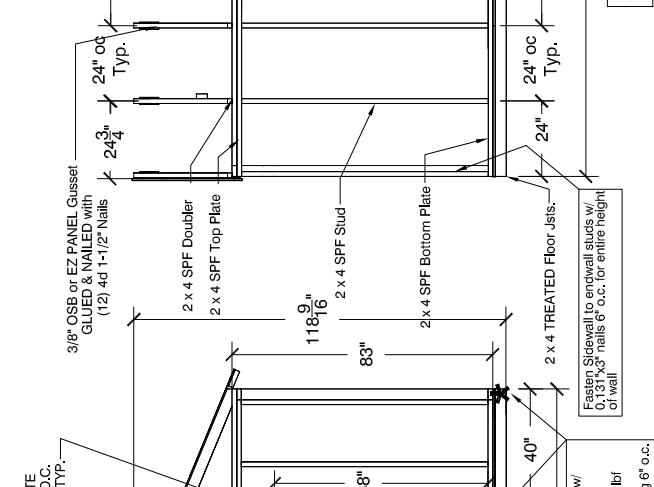
DATE: 05/23/24
DRAWN BY: Ken Sultner
1000 Ternes Dr.
Monroe, MI 48152
AS NOTED
(800) 432-2784
SHEET 1 OF 7



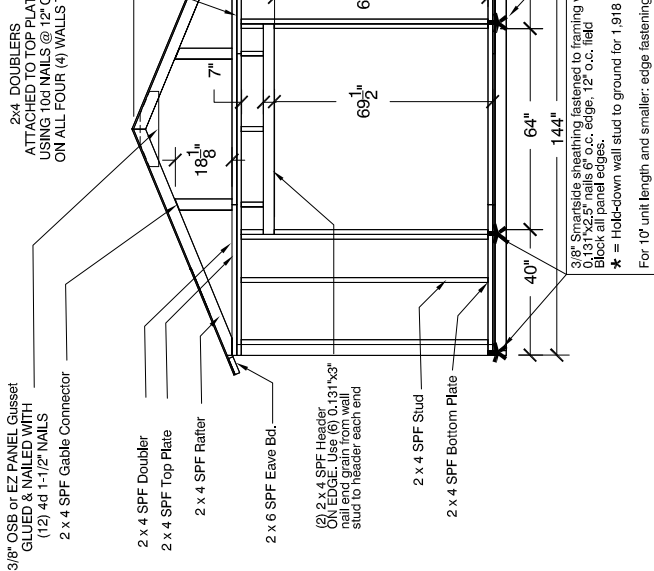
Attach studs to top and bottom plate w/ (3) 0.131"x3" end grain nails
 Attach bottom plate to center joist w/ (3) 0.131"x3" nails per stud bay



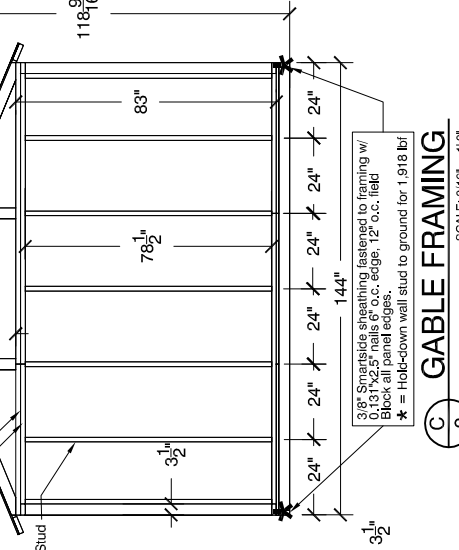
(B) EAVE FRAMING w/o DOOR
 SCALE: 3/16" = 1'-0"



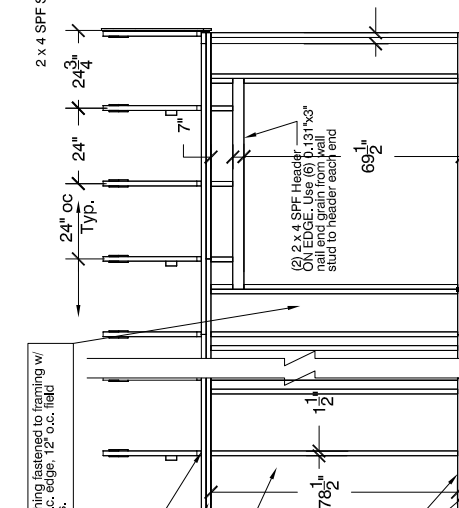
(E) EAVE SIDE FRAMING w/ DOOR OFFSET
 SCALE: 3/16" = 1'-0"



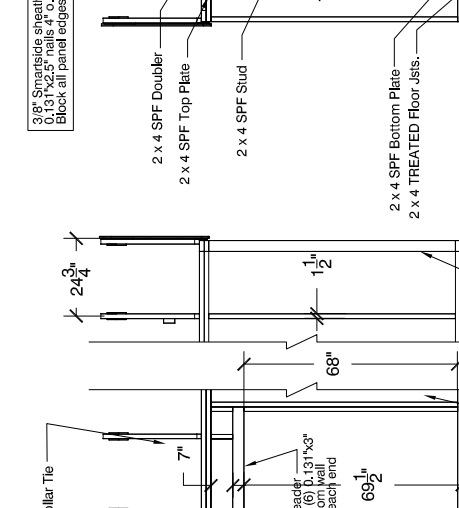
(A) GABLE FRAMING with DOOR
 SCALE: 3/16" = 1'-0"



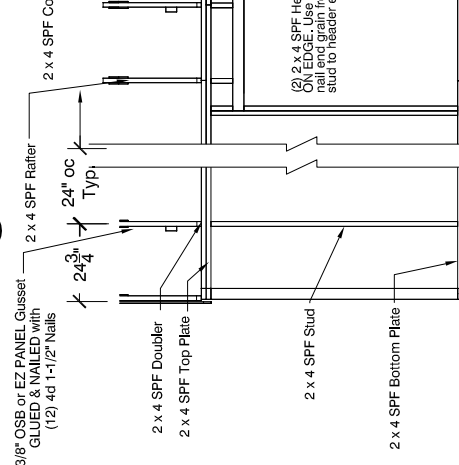
(C) GABLE FRAMING
 SCALE: 3/16" = 1'-0"



(D) EAVE SIDE FRAMING w/ DOOR CENTER
 SCALE: 3/16" = 1'-0"



(E) EAVE SIDE FRAMING w/ DOOR OFFSET
 SCALE: 3/16" = 1'-0"



(D) EAVE SIDE FRAMING w/ DOOR CENTER
 SCALE: 3/16" = 1'-0"

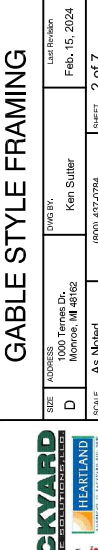
**NTA Engineering, P.C., 305 N Oakland Ave
 Nappanee, Indiana 46550
 Engineering COA C-4764**

These documents are applicable only to the elements and loading criteria specifically provided herein. These documents shall not be construed in any way to specify, certify or design any aspects of the building not contained herein. Specified criteria are based solely on information provided by the client and must be verified and approved by the local authority having jurisdiction. NTA Engineering P.C. is not responsible for fabrication or erection. If it is suspected that these drawings have been modified, substituted or altered in any way, contact NTA Engineering P.C. at (574) 773-7975 to obtain a file copy.

**12'-0" HANOVER/LANCASTER
 GABLE STYLE FRAMING**

SIZE: ADDRESS: 1000 Terrace Dr., Monroeville, PA 15146
 D PROJECT: Ken Suttler
 SCALE: AS NOTED (800) 437-2784 SHEET: 2 OF 7

Depth Dim. "A "	12'-0"	16'-0"	18'-0"	20'-0"	24'-0"
Gable Style	12'-0" wide by:				



24" Max. To First Anchor

P.T. BOND BOARD (TYP)...
SECURE BOND @ CORNERS
W/3-10d NAILS

P.T. JOISTS @ 16" O.C. (TYP)...
SECURE JOIST TO BOX SILL
W/3-10d NAILS @ EACH JOIST

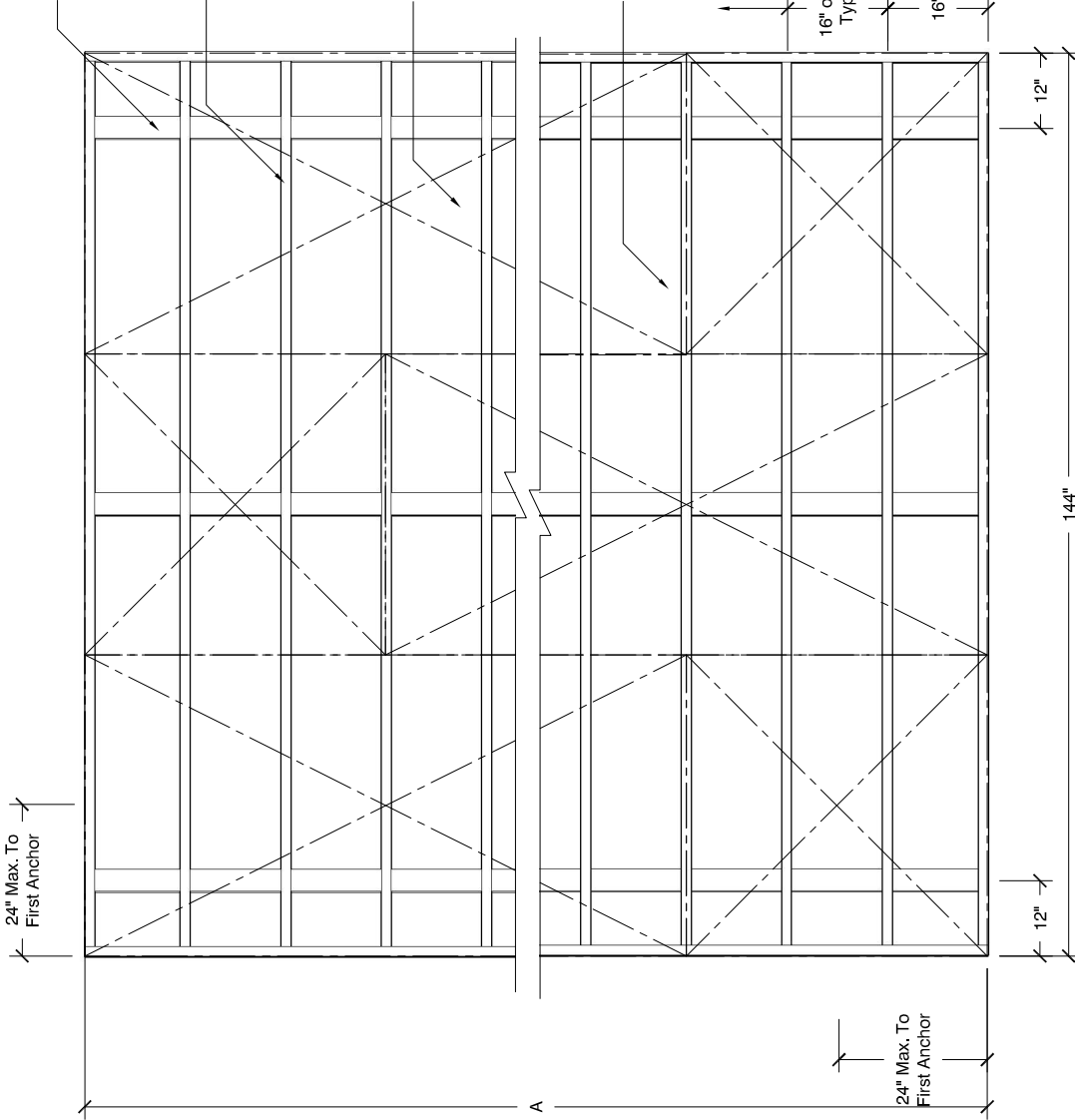
6'-0" MAX SPAN BETWEEN EARTH ANCHORS

4X4 P.T. RUNNERS (TYP)...
TOE NAIL FLOOR JOIST TO RUNNERS
W/3-10d NAILS @ EACH JOIST/RUNNER
INTERSECTION

5/8" OSB STANDARD OR 3/4" CDX TREATED PLYWOOD
(Optional 3/4" CDX Treated Plywood)
SECURE FLOOR DECKING
TO FLOOR JOIST W/8d NAILS
6" o.c. edge, 12" o.c. field

NOTES:

1. WHEN CONCRETE SLAB IS USED, THIS FLOOR FRAMING IS NOT REQUIRED
2. ALL MATERIALS AND LABOR SHALL MEET OR EXCEED APPLICABLE LOCAL CODES.
3. ALL LUMBER TO BE NO. 2 GRADE SPRUCE PINE FIR OR EQUIVALENT.
4. THIS FLOOR FRAMING PLAN IS FOR THE BACKYARD PRODUCTS, INC. 12' WIDE GABLE STYLE BUILDING
5. IN THE EVENT OF A DIMENSIONAL OR MATERIAL DISCREPANCY, NOTIFY BACKYARD PRODUCTS, INC.



(A) 3 FLOOR FRAMING
SCALE: 3/8" = 1'-0"



NTA Engineering, P.C., 305 N Oakland Ave
Nappanee, Indiana 46550
Engineering COA C-4764

These documents are applicable only to the elements and loading criteria specifically provided herein. These documents shall not be construed in any way to specify, certify or design any aspects of the building not contained herein. Specified design criteria are based solely on information provided by the client and must be verified and approved by the local authority having jurisdiction. NTA Engineering P.C. is not responsible for fabrication or erection. If it is suspected that these drawings have been modified, substituted or altered in any way, contact NTA Engineering P.C. at (574) 773-7975 to obtain a file copy.

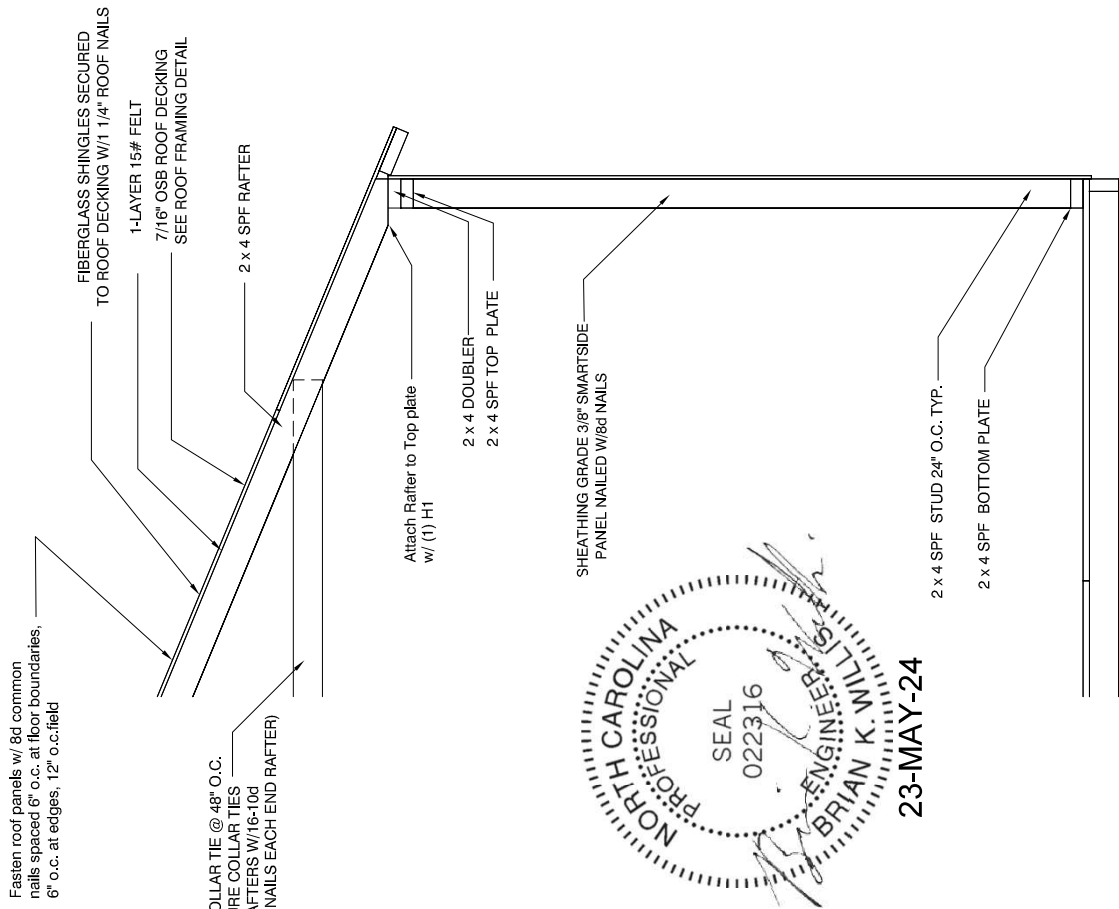
12'-0" HANOVER/LANCASTER
GABLE STYLE FLOOR

DATE	ADDRESS	DESIGNED BY	DATE
D	1000 Terms Dr. Monroe, MI 48152	Ken Suller	Feb. 15, 2024
SCALE	As Noted	(800) 432-2784	SHEET 3 of 7



23-MAY-24

Depth Dim. "A "	12'-0" Base	16'-0"	18'-0"	20'-0"	24'-0"
Gable Style 12'-0" wide by:					



NORTH CAROLINA PROFESSIONAL SEAL
 022316
 BRIAN K. WILLIS ENGINEER
 23-MAY-24

WALL SECTION
SCALE: 3/8" = 1'-0"

A TYP. WALL FRAMING PLAN
SCALE: 3/8" = 1'-0"

NOTE:
1. THIS WALL PLAN IS GOOD FOR THE 12' WIDE GABLE ONLY. ALL MATERIAL AND LABOR SHALL MEET OR EXCEED APPLICABLE LOCAL CODES.

**NTA Engineering, P.C. 305 N Oakland Ave
Nappanee, Indiana 46650
Engineering COA C-4764**

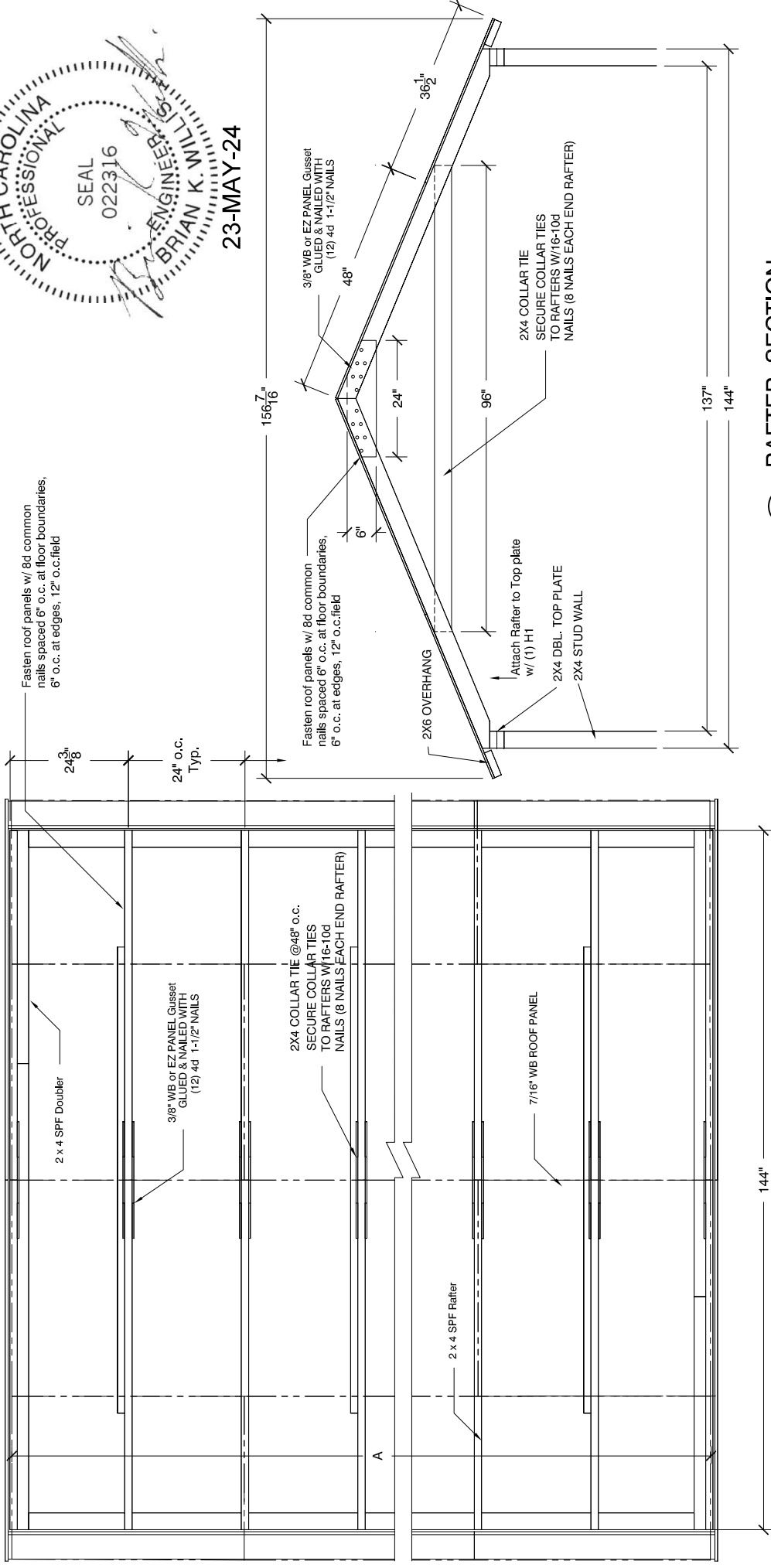
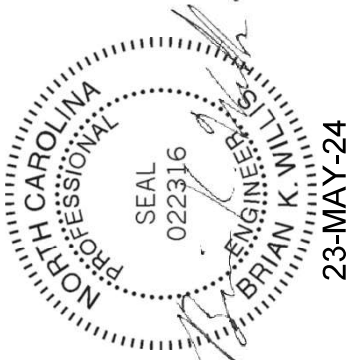
These documents are applicable only to the elements and loading criteria specifically provided herein. These documents shall not be construed in any way to specify, certify or design any aspects of the building not contained herein. Specified design criteria are based solely on information provided by the client and must be verified and approved by the local authority having jurisdiction. NTA Engineering P.C. is not responsible for fabrication or erection. If it is suspected that these drawings have been modified, substituted or altered in any way, contact NTA Engineering P.C. at (574) 773-7975 to obtain a file copy.

DATE	ADDRESS	PWS BY	LAST REVISION
D	1000 Tennes Dr. Monroe, MI 48152	Marc Dornelly	Feb. 15, 2024
SCALE	As Noted	(860) 432-0784	SHEET 4 OF 7



**12'-0" HANOVER/LANCASTER
GABLE STYLE WALLS**

Depth Dim. "A "	12'-0" Base	16'-0"	18'-0"	20'-0"	24'-0"
Gable Style 12'-0" wide by:					



ROOF FRAMING PLAN
SCALE: 3/8" = 1'-0"

RAFTER SECTION
SCALE: 3/8" = 1'-0"

NOTES:

- Approved Shingles installed per manufacturers instructions with 4 nails per shingle
- Drip edge must overlap 2" and nailed every 12" max.

NOTE:
1. THIS WALL PLAN IS GOOD FOR THE 12" WIDE GABLE ONLY. ALL MATERIAL AND LABOR SHALL MEET OR EXCEED APPLICABLE LOCAL CODES.

NTA Engineering, P.C., 305 N Oakland Ave
Nappanee, Indiana 46550
Engineering COA C-4764

These documents are applicable only to the elements and loading criteria specifically provided herein. These documents shall not be construed in any way to specify, certify or design any aspects of the building not contained herein. Specified design criteria are based solely on information provided by the client and must be verified and approved by the local authority having jurisdiction. NTA Engineering P.C. is not responsible for fabrication or erection. If it is suspected that these drawings have been modified, substituted or altered in any way, contact NTA Engineering P.C. at (574) 773-7975 to obtain a file copy.

Depth Dim. "A "	12'-0" Base	16'-0"	18'-0"	20'-0"	24'-0"
Gable Style 12'-0" wide by:					
12'-0" HANOVER/LANCASTER GABLE STYLE ROOF					
DATE	ADDRESS	DRAWN BY	DATE	SCALE	SHEET
D	1000 Terms Dr. Merrill, WI 48052	Ken Sutter	Feb. 15, 2024	(800) 432-2784	5 of 7

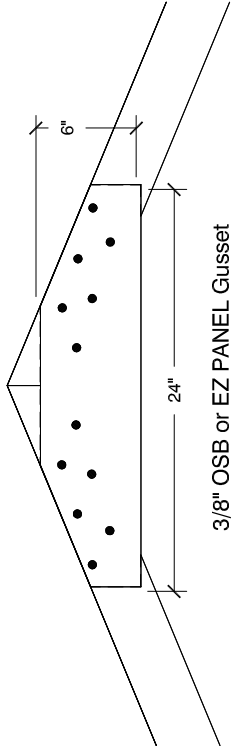
NOTES:

1. THESE STRUCTURAL DRAWINGS SHALL BE USED FOR THE CONSTRUCTION OF THE SHOWN STORAGE BUILDING. IN THE EVENT OF DIMENSIONAL DISCREPANCY, NOTIFY THE ENGINEER FOR RESOLUTION OF CONFLICT. ANY DEVIATION FROM THESE DRAWINGS MUST BE APPROVED BY THE ENGINEER

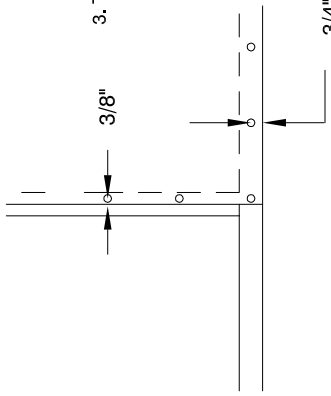
2. MATERIALS

- * ALL LUMBER TO BE NUMBER 2 GRADE SPRUCE PINE FIR OR EQUIVALENT.
- * ALL PLYWOOD SHALL CONFORM TO THE LATEST EDITION OF APA SPECIFICATIONS.
- * ALL CONNECTORS/FASTENERS AND ITS SPACING SHALL MEET THE APPLICABLE CODES.
- * ALL MATERIALS AND LABOR PER APPLICABLE LOCAL CODES
- * SmartSide Panel: 3/8" APA RATED (PRP-108) AS MANUFACTURED BY LOUISIANA-PACIFIC COMPANY, PORTLAND, OR. NER 124 CODE RECOGNITION.
- * O.S.B DECKING: 7/16" APA RATED ORIENTED STAND BOARD AS MANUFACTURED BY LOUISIANA-PACIFIC COMPANY, PORTLAND, OR.

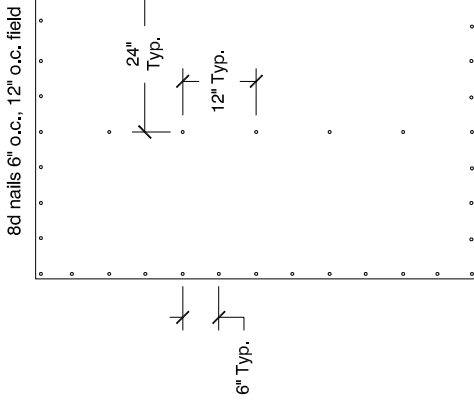
3. THESE STRUCTURES ARE TO BE USED AS STORAGE ONLY AND NOT FOR HABITATION



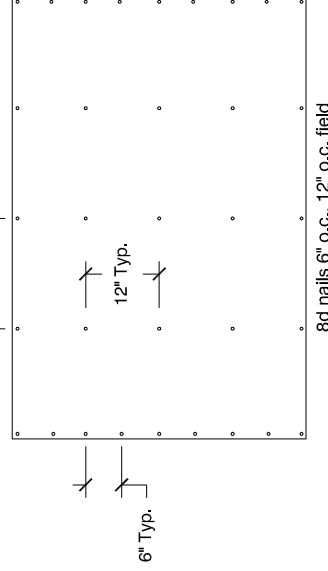
A ROOF GUSSET CONNECTION DETAIL
SCALE: 1" = 1'-0"



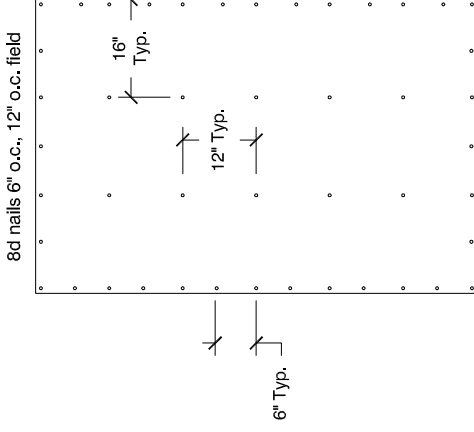
E SINGLE EDGE NAILING



B WALL PANEL TYP. NAIL PATTERN



C ROOF PANEL TYP. NAIL PATTERN



D FLOOR PANEL TYP. NAIL PATTERN



NTA Engineering, P.C., 305 N Oakland Ave
Nappanee, Indiana 46550
Engineering COA C-4764

These documents are applicable only to the elements and loading criteria specifically provided herein. These documents shall not be construed in any way to specify, certify or design any aspects of the building not contained herein. Specified design criteria are based solely on information provided by the client and must be verified and approved by the local authority having jurisdiction. NTA Engineering P.C. is not responsible for fabrication or erection. If it is suspected that these drawings have been modified, substituted or altered in any way, contact NTA Engineering P.C. at (574) 773-7975 to obtain a file copy.

12'-0" HANOVER/LANCASTER
GABLE STYLE NOTES

DATE	ADDRESS	PROJECT	LAST REVISION
D	1000 Terres Dr. Monroe, MI 48162	Ken Sullter	Feb. 15, 2024
SCALE	As Noted	(800) 432-2784	SHEET 6 of 7

Depth Dim. "A "	12'-0" Base	16'-0"	18'-0"	20'-0"	24'-0"
Gable Style 12'-0" wide by:					

23-MAY-24



5/8" OSB OR CDX TREATED PLYWOOD
 SECURE FLOOR DECKING TO FLOOR JOIST
 WITH 0.131 x 2.5" long 8d NAILS @ 6" O.C.
 @ EDGES & 12" O.C.
 @ INTERMEDIATE SUPPORTS

2x4 P.T. JOISTS @ 16" O.C. (TYP)
 SECURE JOIST TO BOX SILL @ EACH JOIST WITH
 (3) 10d

4x4 P.T. RUNNERS (TYP)...
 TOE NAIL FLOOR JOIST TO RUNNERS
 WITH (3) 10d TOE NAILS
 @ EACH JOIST / RUNNER INTERSECTION

PRESSURE TREATED WOOD SHIMS
 FOR LEVELING WHEN NECESSARY

4" X 12" X 12" SOLID CONC. BLOCK
 @ 42" O.C. (TYP) @ EACH RUNNER

30" SINGLE HELIX ANCHOR
 MODEL MTE-30 AS MFD.
 BY TIEDOWN ENGINEER, ATLANTA, GA.
 OR AS REQUIRED BY LOCAL CODE. MAX.
 30 DEGREES TO VERTICAL IN THIS PLANE (TYP)

Min. (1) anchor at each side of door

2 X 4 SPF STUD @ 24" O.C.

2 X 4 SPF BOTTOM PLATE

BOTTOM PLATE TO PERIMETER BEAM
 w/ (3) 10d nails per stud bay

(3) 10d NAILS INTO
 EACH FLOOR JOIST

2 x 4 P.T. BOND BOARD

8" Min.
 to Sheathing

WOOD FLOOR FRAMING DETAIL

SCALE: 3/4" = 1'-0"

NOTES:

1. WHEN MONOLITHIC SLAB IS USED, THIS FLOOR FRAMING IS NOT REQUIRED
2. ALL MATERIALS AND LABOR SHALL MEET OR EXCEED APPLICABLE LOCAL CODES.
3. ALL LUMBER TO BE NO. 2 GRADE SPRUCE PINE FIR OR EQUIVALENT
4. THIS FLOOR FRAMING PLAN IS FOR THE BACKYARD PRODUCTS, LLC 10' WIDE GABLE ANY DEVIATION OR MODIFICATION IS STRICTLY PROHIBITED.
5. IN THE EVENT OF A DIMENSIONAL OR MATERIAL DISCREPANCY, NOTIFY BACKYARD PRODUCTS, LLC

SHEATHING GRADE 3/8" EZ PANEL
 BOARD NAILED WITH
 0.131 dia. x 2.5" long nails

2 X 4 SPF STUD @ 24" O.C.

1/2" WEDGE ANCHOR BOLT, 30" O.C. 8-1/2" LONG
 (...or other approved fastener...)

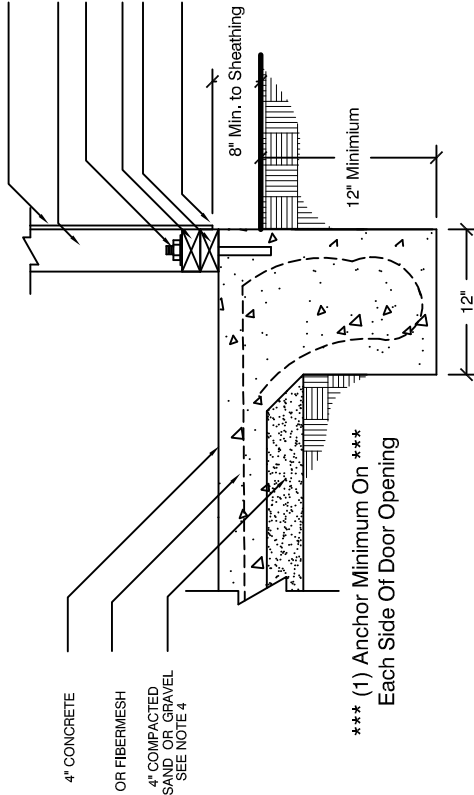
2 X 4 SPF BOTTOM PLATE

2 X 4 P.T. SILL PLATE

2" NAILS EVERY 3"
 ANGLED INTO FLOOR
 FRAME, 1/2" FROM EDGE

NOTES:

1. WHEN FLOOR FRAMING IS USED, THIS MONOLITHIC SLAB IS NOT REQUIRED
2. ALL MATERIALS AND LABOR SHALL MEET OR EXCEED APPLICABLE LOCAL CODES.
3. UNLESS OTHERWISE SPECIFIED OR SURPERSEDED BY APPLICABLE LOCAL CODES, MATERIAL TO BE 3000 PSI CONCRETE, #4 (0.5 dia.) REBAR, SPACED 10" o.c.
4. THIS MONOLITHIC SLAB IS DESIGNED FOR THE BACKYARD PRODUCTS, LLC 10' WIDE GABLE ANY DEVIATION AND MODIFICATION IS STRICTLY PROHIBITED.



*** (1) Anchor Minimum On
 Each Side Of Door Opening

MONOLITHIC CONCRETE SLAB DETAIL

SCALE: 3/4" = 1'-0"



23-MAY-24

NTA Engineering, P.C., 305 N Oakland Ave
 Nappanee, Indiana 46550
 Engineering COA C-4764

These documents are applicable only to the elements and loading criteria specifically provided herein. These documents shall not be construed in any way to specify, certify or design any aspects of the building not contained herein. Specified design criteria are based solely on information provided by the client and must be verified and approved by the local authority having jurisdiction. NTA Engineering P.C. is not responsible for fabrication or erection. If it is suspected that these drawings have been modified, substituted or altered, contact NTA Engineering P.C. at (874) 773-9375 to obtain a file copy.



FOUNDATION DETAILS

DATE	DESCRIPTION	BY	DATE
A	Issue	Ken Suter	July 15, 2021