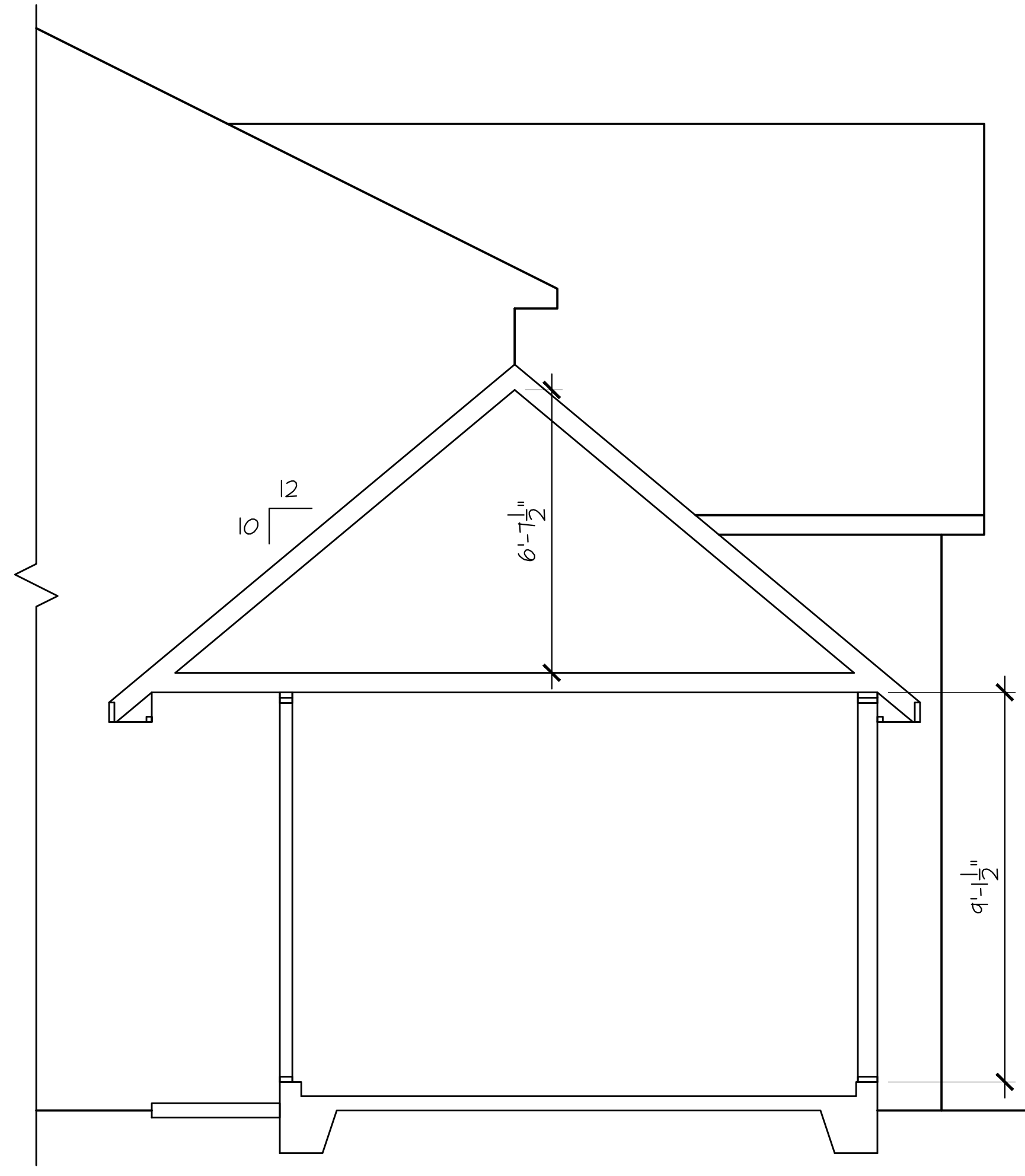
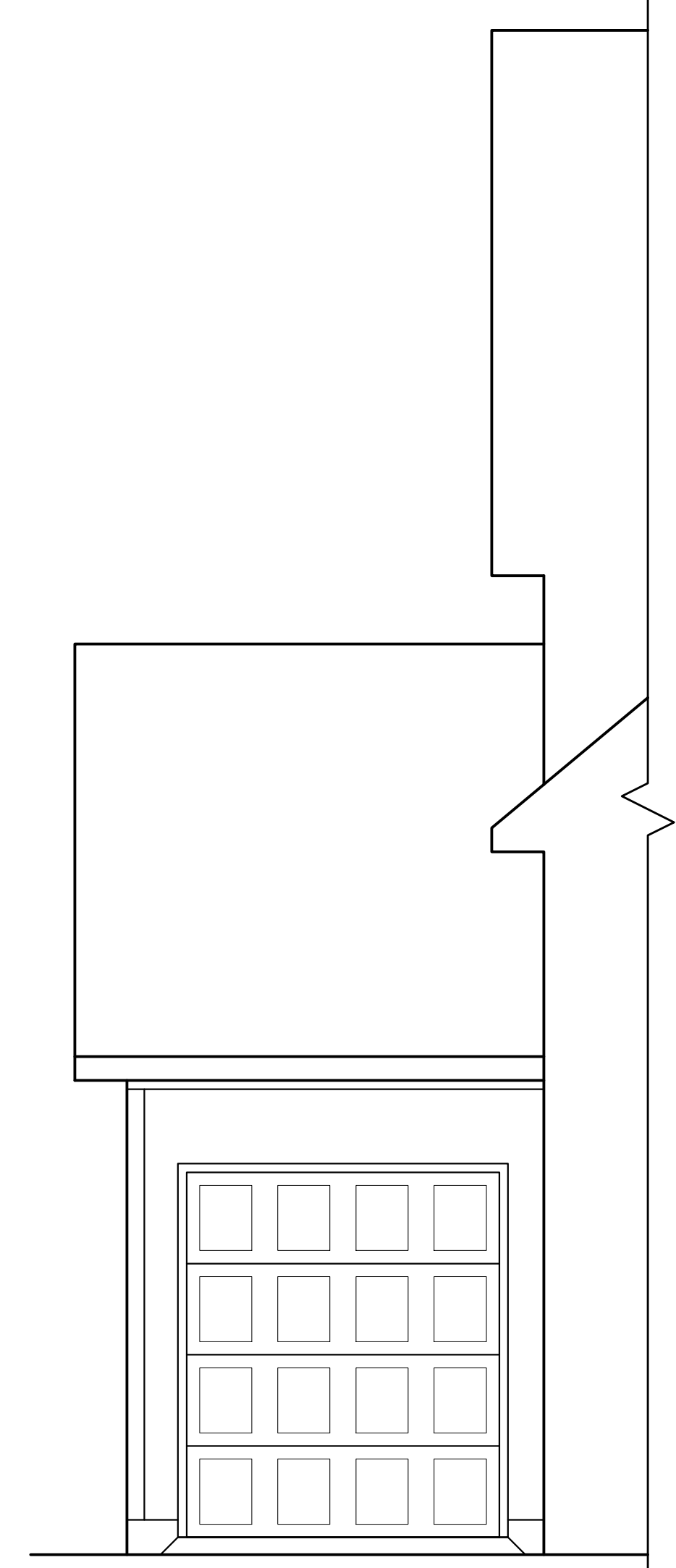


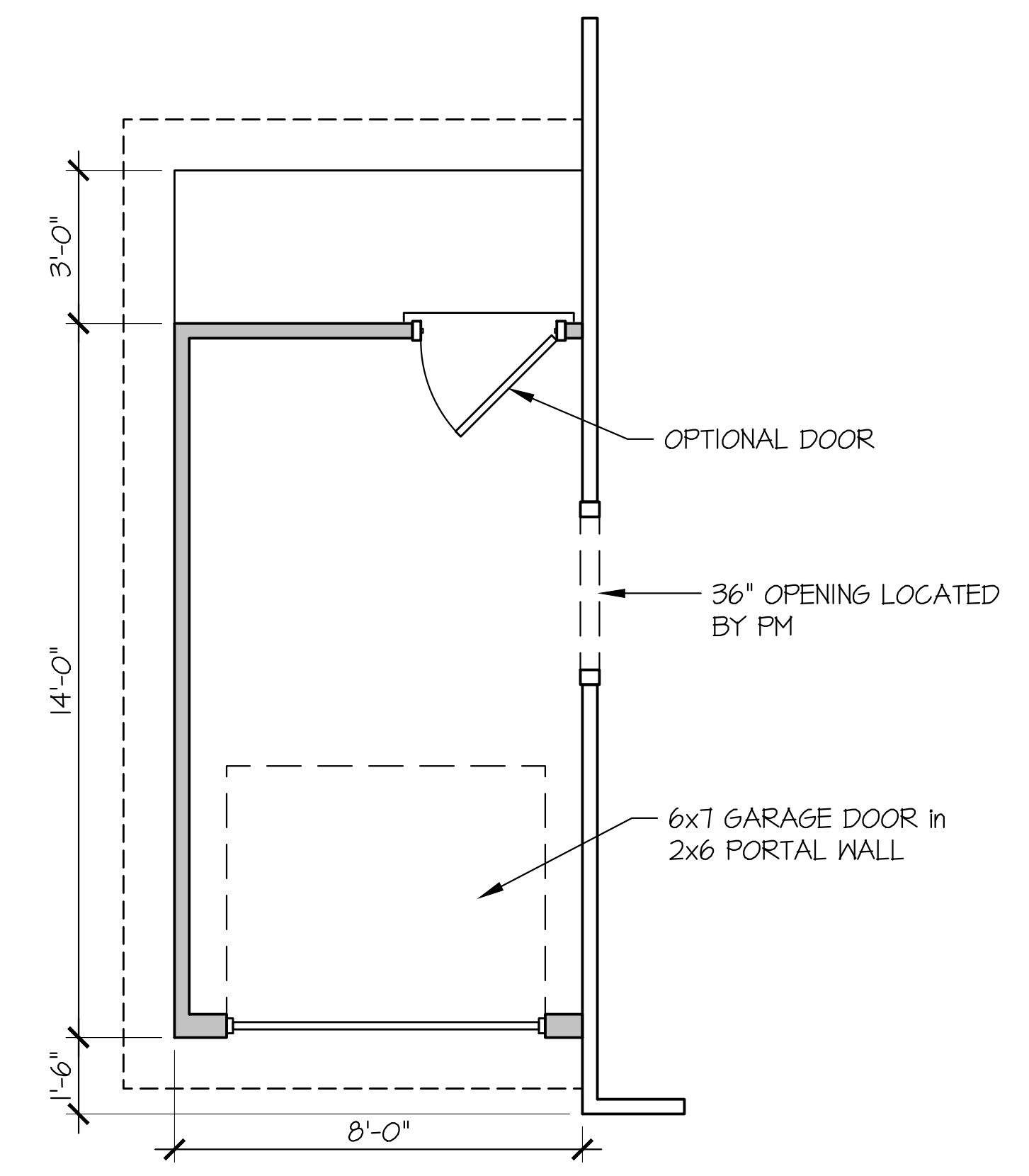
D:\CAVINNESS AND CATES\Caviness and Cates\RETRIEVER HOMES SERVICE\239 KENSINGTON DRIVE\239 KENSINGTON DRIVE 6-11-24.dwg, 6/13/2024 8:32:11 AM, 1:1



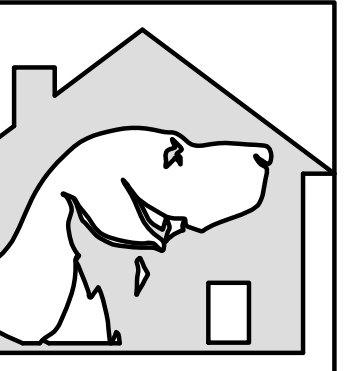
SECTION



STREET ELEVATION

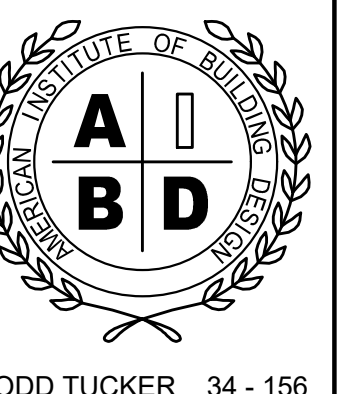


PLAN



639 Executive Place  
Suite 400  
Fayetteville, NC 28305  
Office: 910-481-0503  
Sales: 910-240-4210  
Fax: 910-481-0585

© 2022 Caviness & Cates



PLAN NAME/NUMBER: **239 KENSINGTON DRIVE**  
SHEET TITLE: **PROPOSED GARAGE ADDN**

PLAN NO: **239KENSING**

DATE: **JUNE 2024**

REVISIONS:	

SHEET NO:

**PD**