



639 Executive Place
Suite 400
Fayetteville, NC 28305
Office: 910-481-0503
Sales: 910-240-4210
Fax: 910-481-0585

© 2022 Caviness & Cates



TODD TUCKER 34 - 156

PLAN NAME/NUMBER:
239 KENSINGTON DRIVE
SHEET TITLE:
GARAGE ADDITION

PLAN NO:
239KENSING

DATE:
JUNE 2024

REVISIONS:

SHEET NO:

1

ATTIC VENT CALCULATIONS R206	
ADDITION ATTIC AREA:	136 S.F.
RIDGE VENTS*:	8 L.F. / 1 S.F. (50%)
SOFFIT VENT*:	16 L.F. / 1 S.F. (50%)
RATIO:	$\frac{2}{136} = \frac{1}{68}$

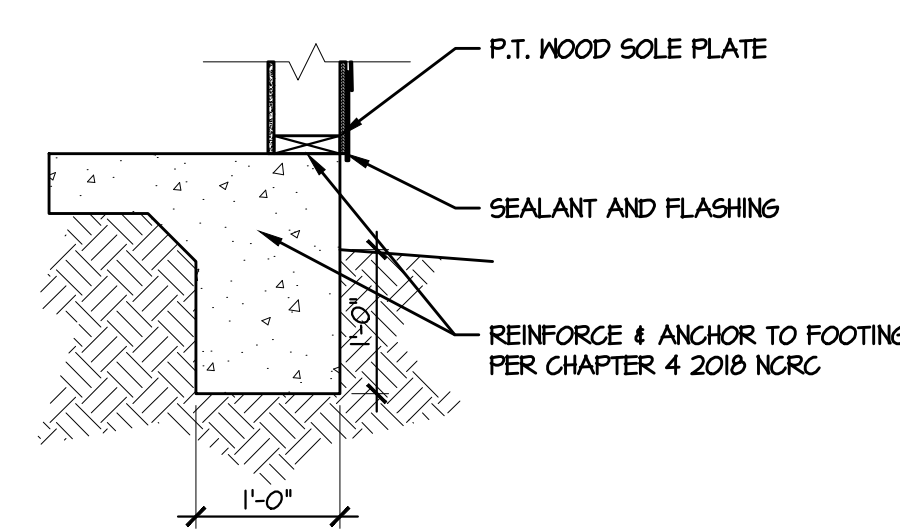
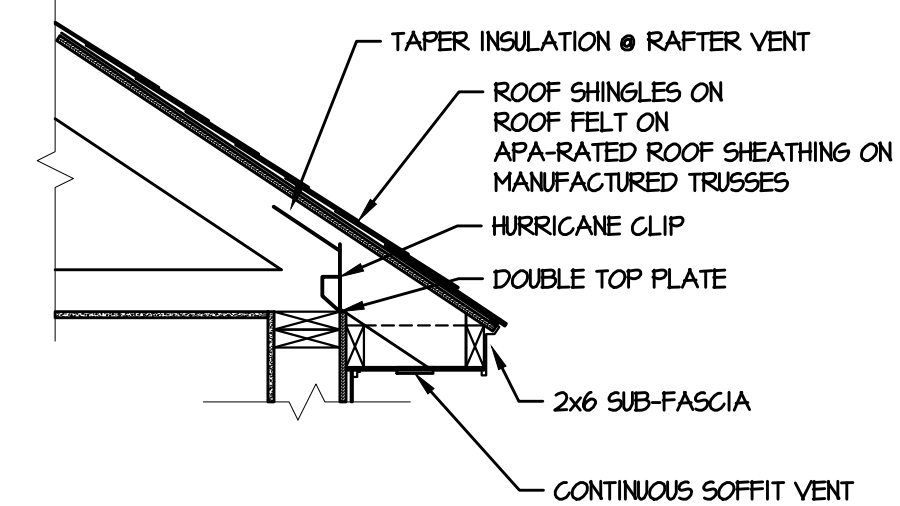
* CALCS BASED ON VENT FREE AREA OF 18 S.I., FOR RIDGE & 9 S.I. FOR SOFFIT (PLF)

OVERALL ADDITION HEIGHT 11'-6" WITH SLAB FOUNDATION

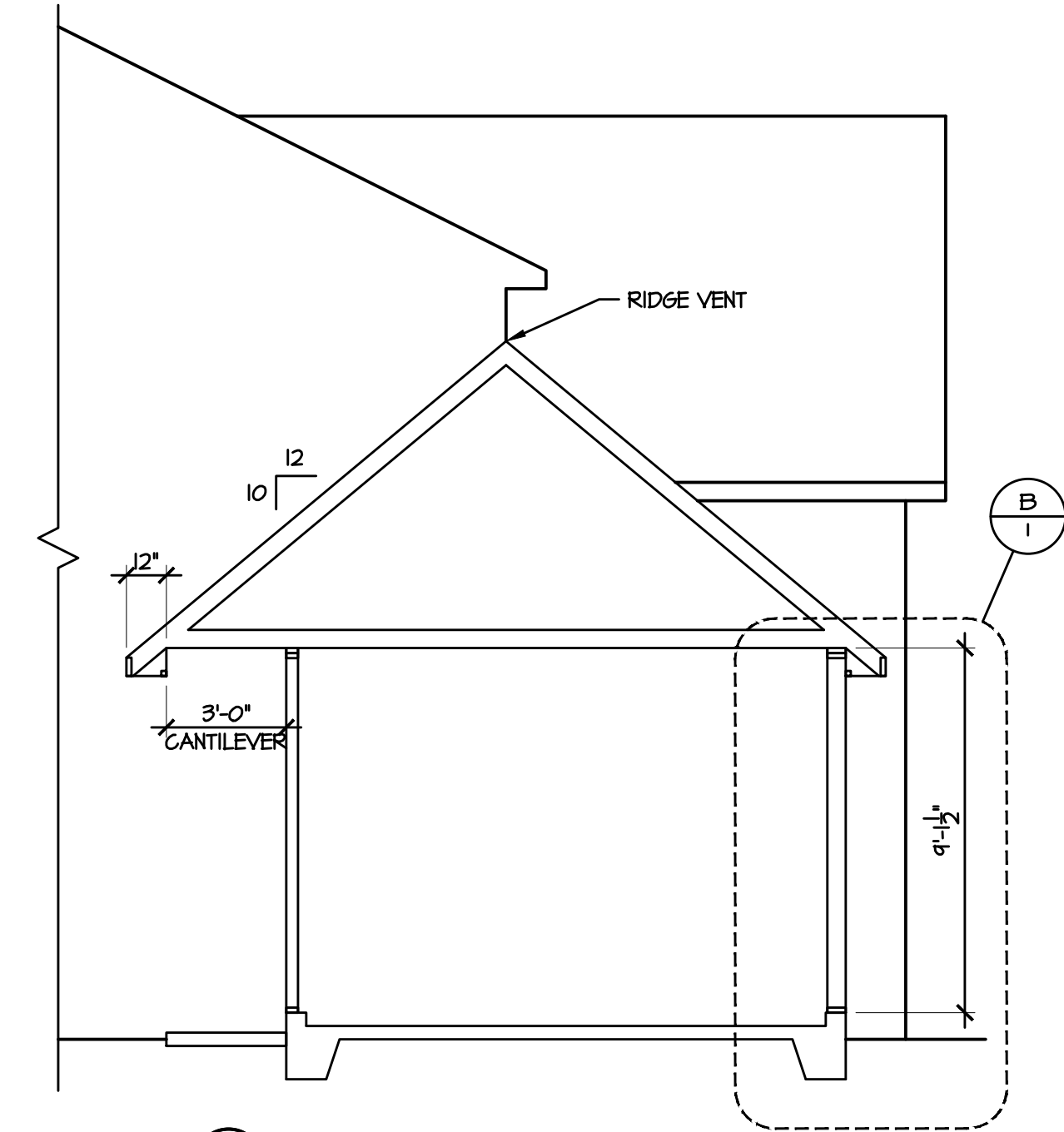
DESIGN LOADS

ROOF LOADS:	20 PSF LIVE, 20 PSF DEAD
ATTIC LOADS:	20 PSF LIVE, WHERE INDICATED (SEE TRUSS DIMS)
FIRST FLOOR:	40 PSF LIVE, 10 PSF DEAD
UPPER FLOORS:	30 PSF LIVE, 15 PSF DEAD
WIND LOAD:	FOR ASCE 7-10, RISK CATEGORY II, EXPOSURE 'B', 120 mph

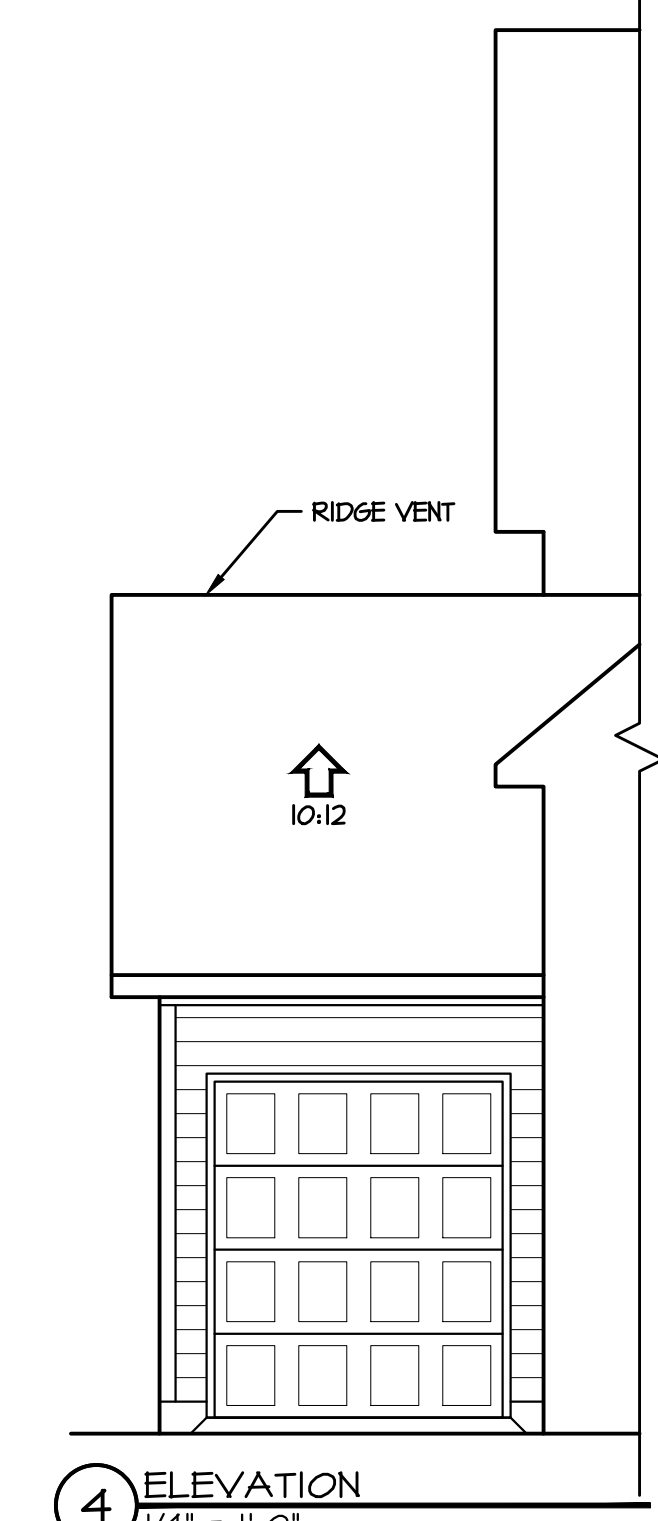
ALL GARAGE PORTAL WALLS TO BE FRAMED WITH 2x6 STUDS



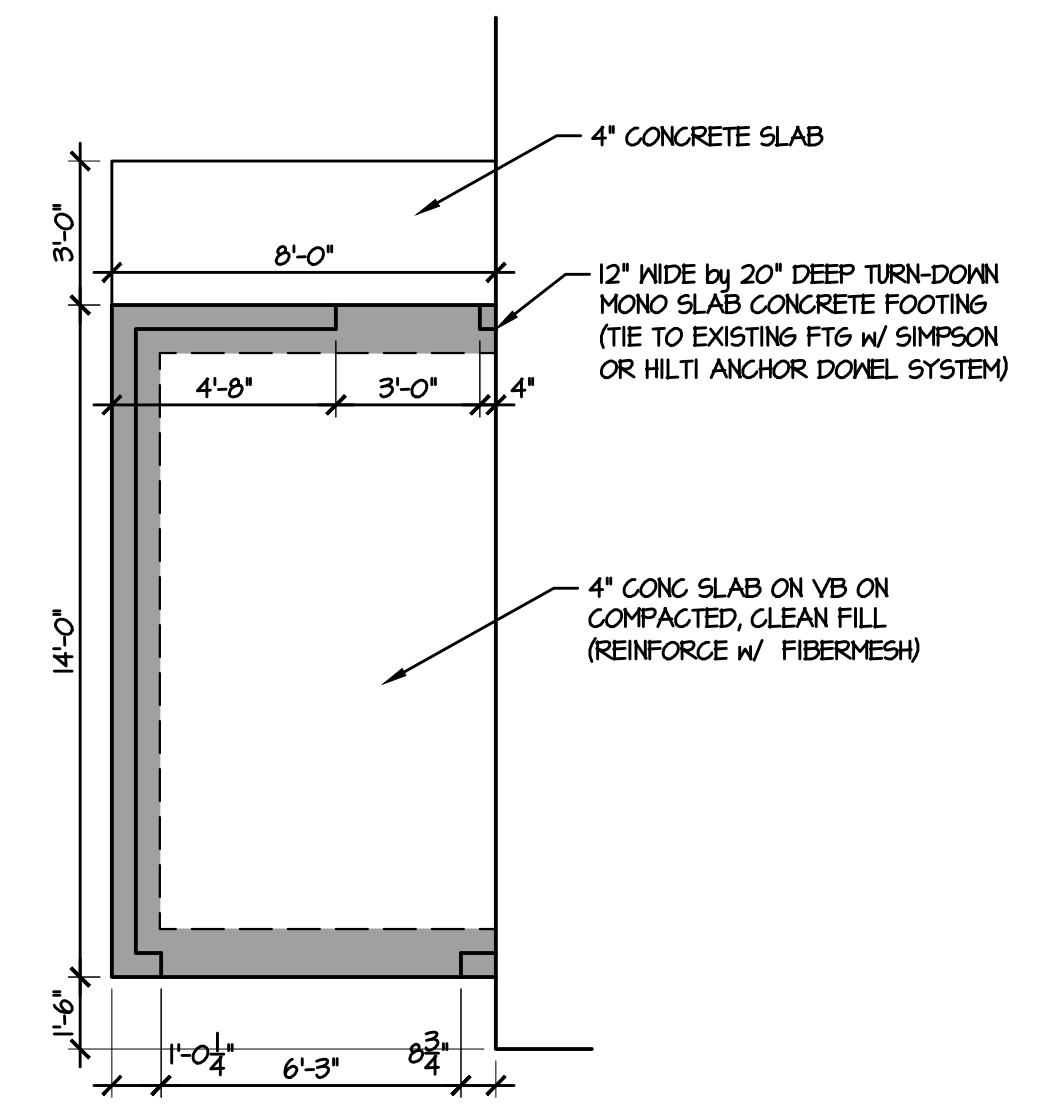
B WALL SECTION
3/4" = 1'-0"



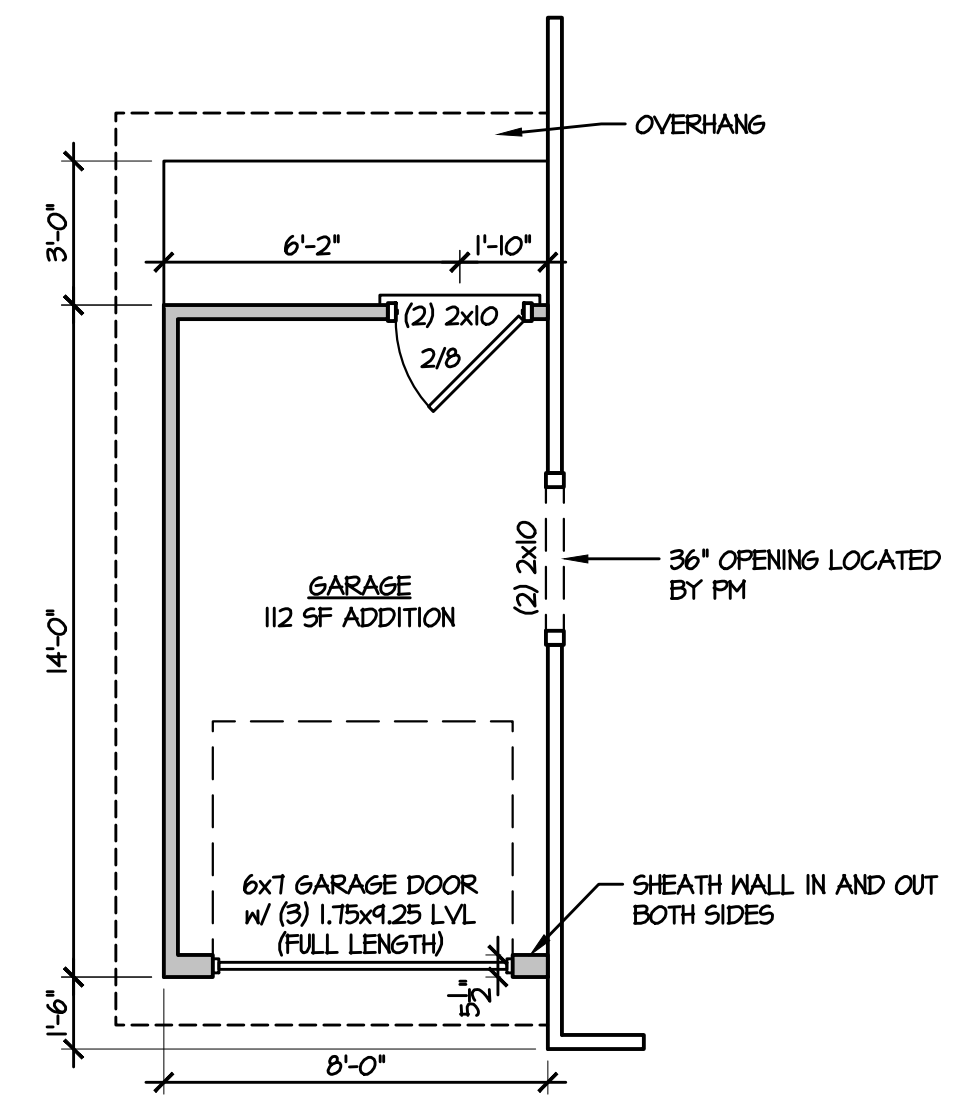
A BUILDING SECTION
1/4" = 1'-0"



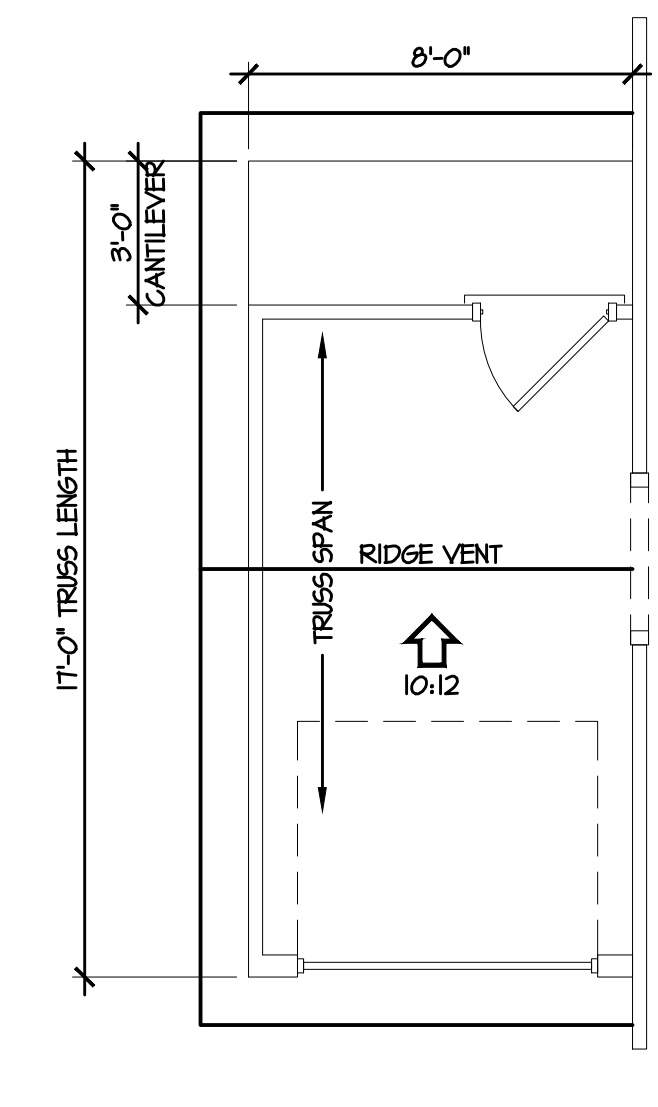
4 ELEVATION
1/4" = 1'-0"



1 FOUNDATION PLAN
1/4" = 1'-0"



2 FRAMING PLAN
1/4" = 1'-0"



3 ROOF PLAN
1/4" = 1'-0"