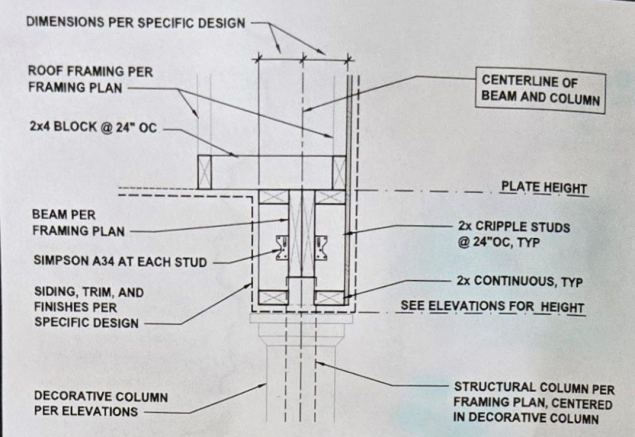
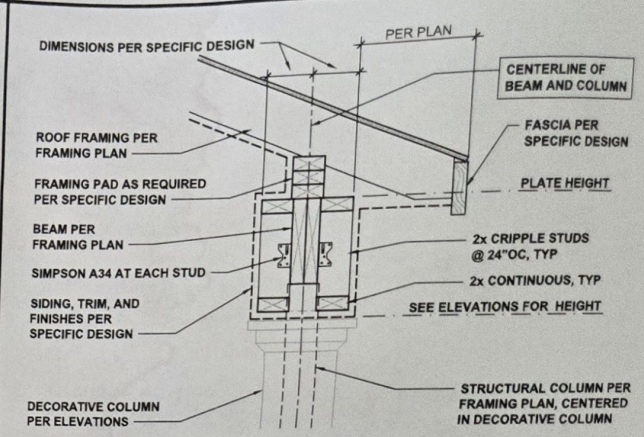


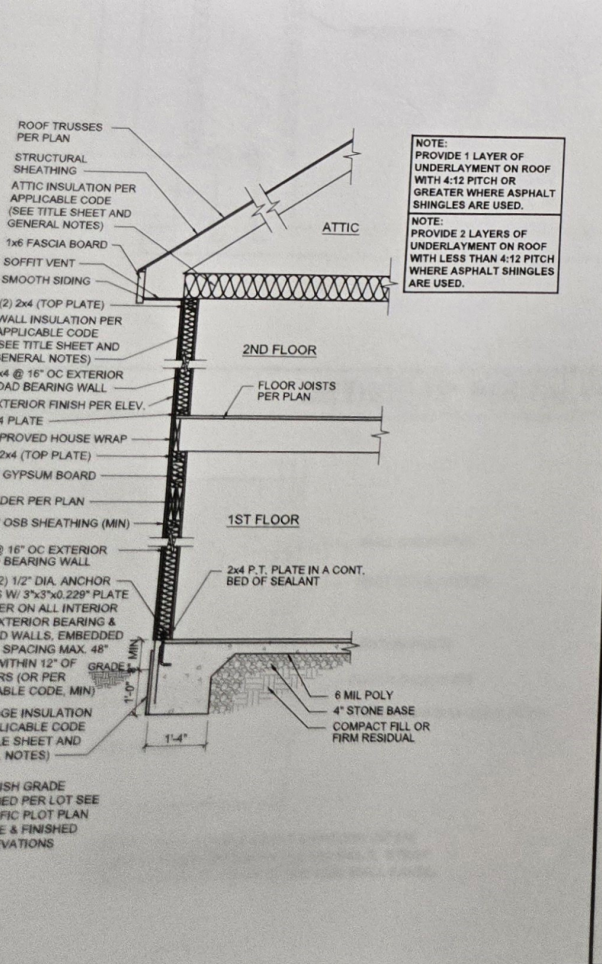
COVERED PORCH EAVES 3/4" = 1'-0" **1**



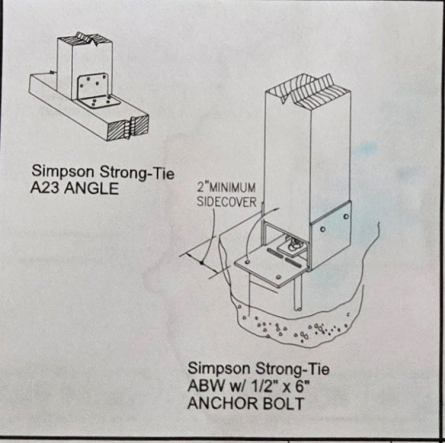
COVERED PORCH RAKE 3/4" = 1'-0" **2**



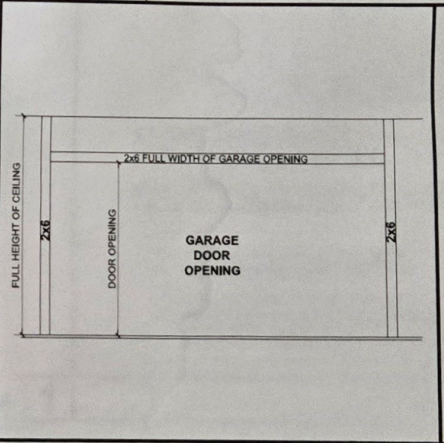
COVERED PORCH WITH SLOPING CLG 3/4" = 1'-0" **3**



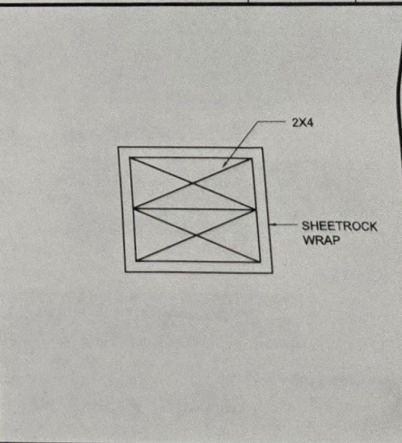
TWO-STORY ON SLAB NTS **4**



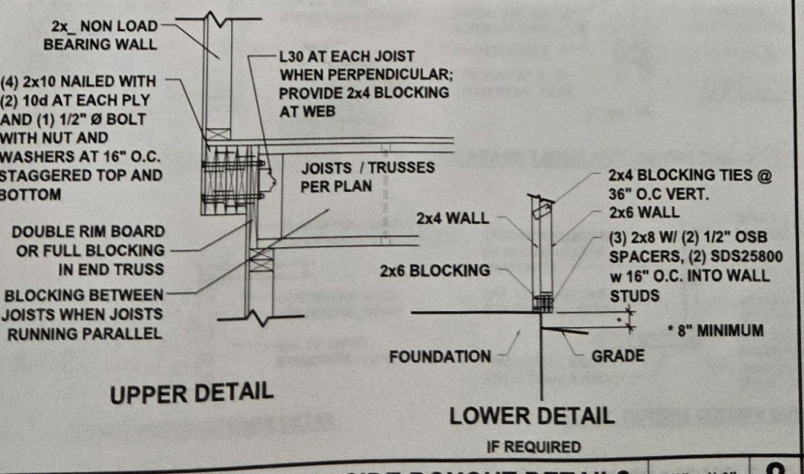
DK POST HOLD-DOWN NTS **5**



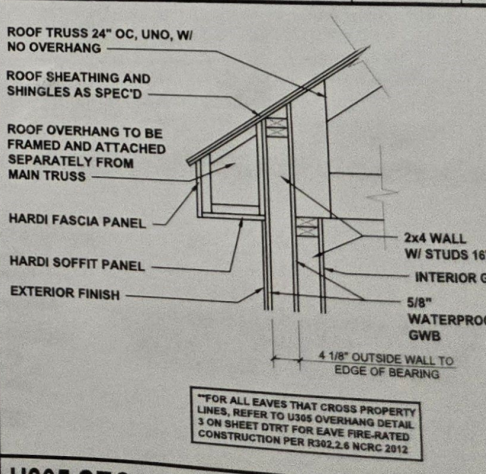
GOAL-POST FRAMING NTS **6**



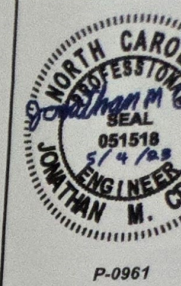
INTERIOR COL. 3" = 1'-0" **7**



6" ENHANCED SIDE BOXOUT DETAILS 1/2" = 1'-0" **8**



U305 SEC. AT OVERHANG 1/2" = 1'-0" **9**



JDS Consulting
ENGINEERING • DESIGN • ENERGY
JDS Consulting, PLLC, 8600 D JERSEY CT, RALEIGH, NC 27677-9180-1075
INFO@JDSCONSULTING.NET, WWW.JDSCONSULTING.COM

NORTH CAROLINA PROFESSIONAL ENGINEER SEAL
051518
5/4/18
JONATHAN M. G...

P-0961

JDS Consulting, PLLC IS NOT LIABLE FOR CHANGES MADE TO PLANS DUE TO CONSTRUCTION METHODS OR ANY OTHER REASONS. DRAWINGS ARE TO BE USED BY CONTRACTOR OR BY OTHERS. DRAWINGS ARE NOT TO BE REPRODUCED OR COPIED IN ANY MANNER WITHOUT THE WRITTEN PERMISSION OF JDS CONSULTING, PLLC.

MATTAMY HOMES
PROJECT: STANDARD DETAILS
LOCATION: NORTH CAROLINA

mattamyHOMES

PROJECT NO: STANDARD DE
DATE: 04/27/2023
DRAWN: []

MISCELLANEOUS FRAMING DETAILS
MISC