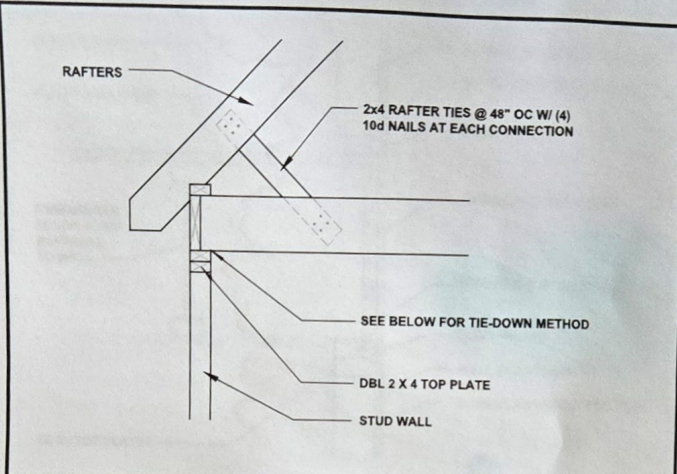
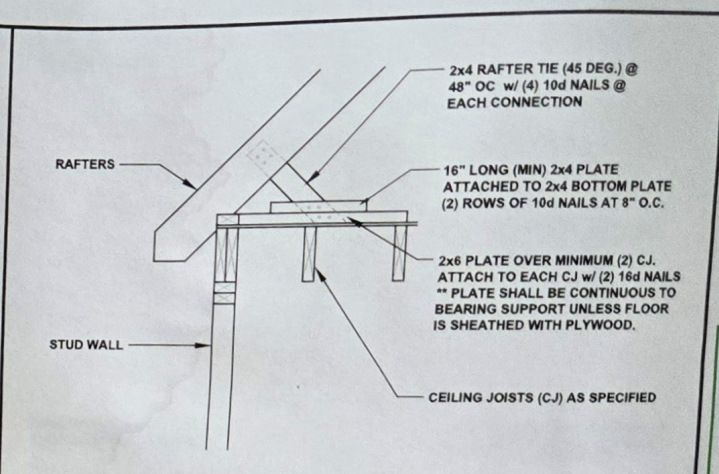


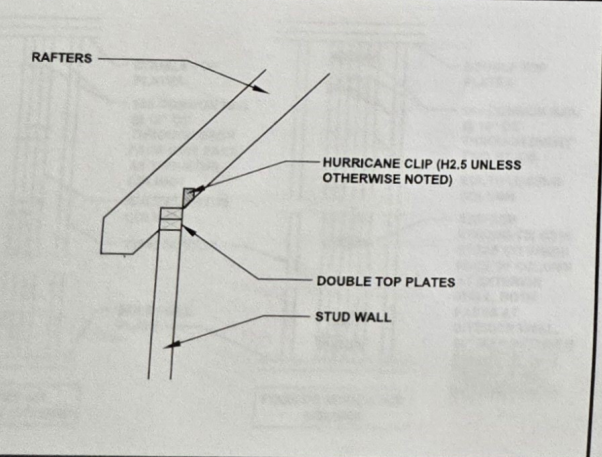
RAFTER TIE 1/2" = 1'-0" **1**



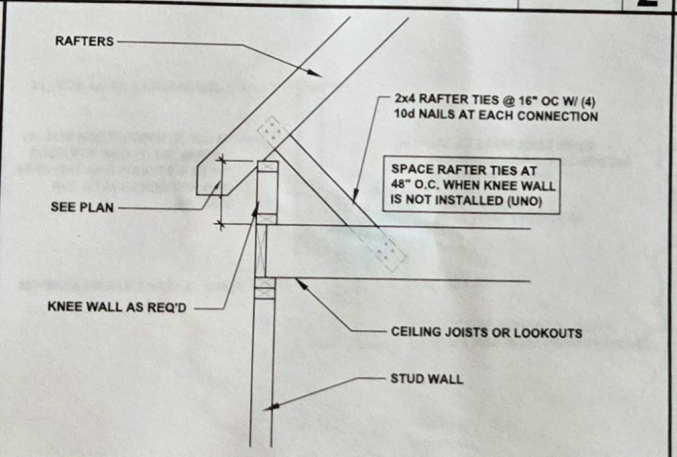
RAFTER TIE 1/2" = 1'-0" **2**



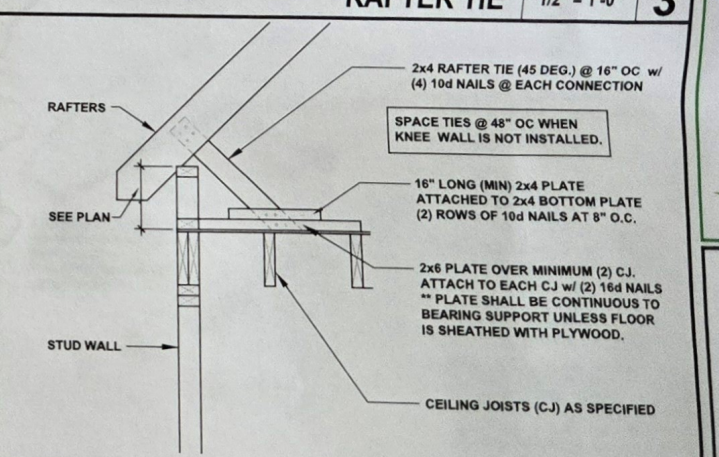
RAFTER TIE 1/2" = 1'-0" **3**



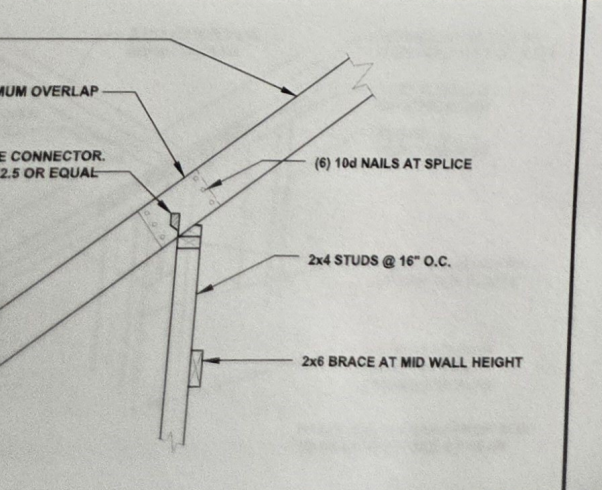
RAFTER-TO-PLATES CONNECTION 1/2" = 1'-0" **4**



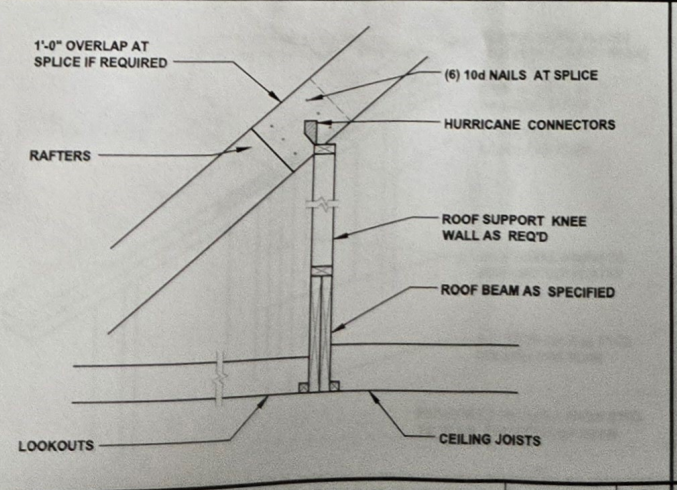
RAFTER AT KNEE WALL 1/2" = 1'-0" **5**



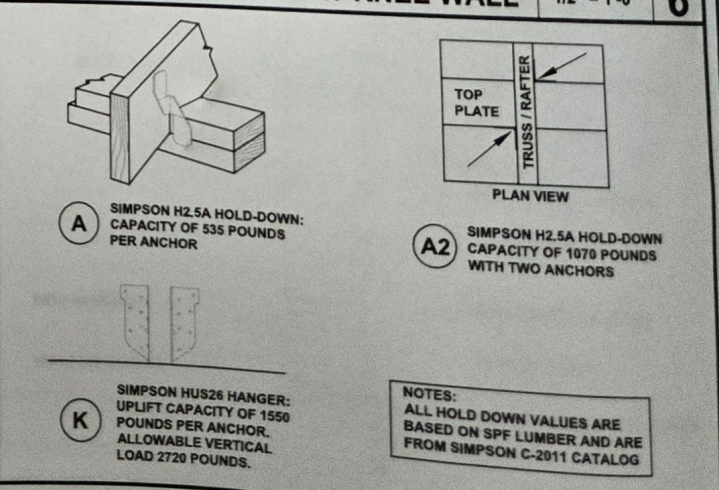
RAFTER AT KNEE WALL 1/2" = 1'-0" **6**



SPLICE AT BEARING WALL 1/2" = 1'-0" **7**



ROOF BEAM 1/2" = 1'-0" **8**



FRAMING CONNECTORS NTS **9**

NORTH
05
ENG
JOINTAN
 P-0

JDS Consulting
 ENGINEERING • DESIGN • ENERGY

JDS Consulting P.L.L.C., 8690 D JERSEY CT, RALEIGH, NC 27617 919.861.0075
 INFO@JDSCONSULTING.NET, WWW.JDSCONSULTING.NET

CLIENT: **MATTAMY HOMES**

PROJECT: **STANDARD DETAILS**

matta

PROJECT NO.: **STANDA**

DATE: **04/27/2023**

CONV
 FRAMING

DT