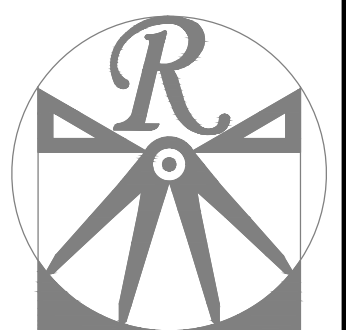


**GENERAL NOTES**

1. ALL WORK SHALL BE PERFORMED IN ACCORDANCE WITH ALL APPLICABLE NATIONAL, STATE, AND LOCAL CODES AND REGULATIONS.
2. CONTRACTOR SHALL THOROUGHLY REVIEW ALL SHEETS IN PLAN SET AND VERIFY ALL DETAILS AND DIMENSIONS BEFORE BEGINNING CONSTRUCTION. ANY DISCREPANCIES SHALL BE REPORTED TO RENAISSANCE RESIDENTIAL DESIGN, INC. FOR JUSTIFICATION AND/OR CORRECTION BEFORE PROCEEDING WITH WORK. CONTRACTORS SHALL ASSUME RESPONSIBILITY FOR ERRORS THAT ARE NOT REPORTED PRIOR TO CONSTRUCTION.
3. ALL DIMENSIONS SHOULD BE READ OR CALCULATED AND NEVER SCALED.
4. CONTRACTOR SHALL ENSURE COMPATIBILITY OF THE BUILDING WITH ALL SITE REQUIREMENTS.

**MAPLE HILL - LOT 2**  
**4214 DARROCH ROAD**  
**LILLINGTON, NC 27546**

**PLANS DESIGNED TO THE**  
**2018 NORTH CAROLINA STATE**  
**RESIDENTIAL BUILDING CODE.**



**RENAISSANCE**  
 RESIDENTIAL DESIGN, INC.  
 RALEIGH, NC 27612  
 (919) 648-4128  
 WWW.RRDNCAROLINA.COM

The art of transforming your vision into reality.  
 RENAISSANCE RESIDENTIAL DESIGN, INC. RESERVES THE RIGHT TO MAKE MODIFICATIONS TO FLOOR PLANS, DIMENSIONS, MATERIALS, AND SPECIFICATIONS WITHOUT NOTICE. THESE DRAWINGS ARE FOR THE PURPOSE OF CONVEYING AN ARCHITECTURAL CONCEPT ONLY.  
 RENAISSANCE RESIDENTIAL DESIGN, INC. HEREBY EXPRESSLY RESERVES ITS COMMON LAW COPYRIGHT AND OTHER PROPERTY RIGHTS IN THESE PLANS. THESE PLANS AND DRAWINGS ARE NOT TO BE REPRODUCED, CHANGED, OR COPIED IN ANY FORM OR MANNER WITHOUT FIRST OBTAINING THE EXPRESS WRITTEN CONSENT OF RENAISSANCE RESIDENTIAL DESIGN, INC. NOR ARE THEY TO BE ASSIGNED TO ANY THIRD PARTY WITHOUT FIRST OBTAINING SAID WRITTEN PERMISSION AND CONSENT.

**WEAVER**  
**HOMES**  
 350 Waggoner Drive • Fayetteville, NC 28303  
 910.690.2100 • 800.802.2190  
 www.weaver-homes.com

PRICE PROMOTIONS, INCENTIVES, FEATURES, OPTIONS, FLOOR PLANS, ELEVATIONS, DESIGNS, MATERIALS AND DIMENSIONS ARE SUBJECT TO CHANGE WITHOUT NOTICE. SQUARE FOOTAGE AND DIMENSIONS ARE ESTIMATED AND HOUSE QUALITY WILL BE DETERMINED BY THE SITE PLAN AND LOT PLAN. FLOOR PLANS AND ELEVATION RENDERINGS ARE ARTIST CONCEPTIONS. FLOOR PLANS ARE THE COPYRIGHTED PROPERTY OF WE AVER HOMES. NO USE, REPRODUCTION, PROHIBITED. SEE NEW HOME SALES CONSULTANT FOR CURRENT DETAILS. COPYRIGHT © 2020 WEAVER HOMES



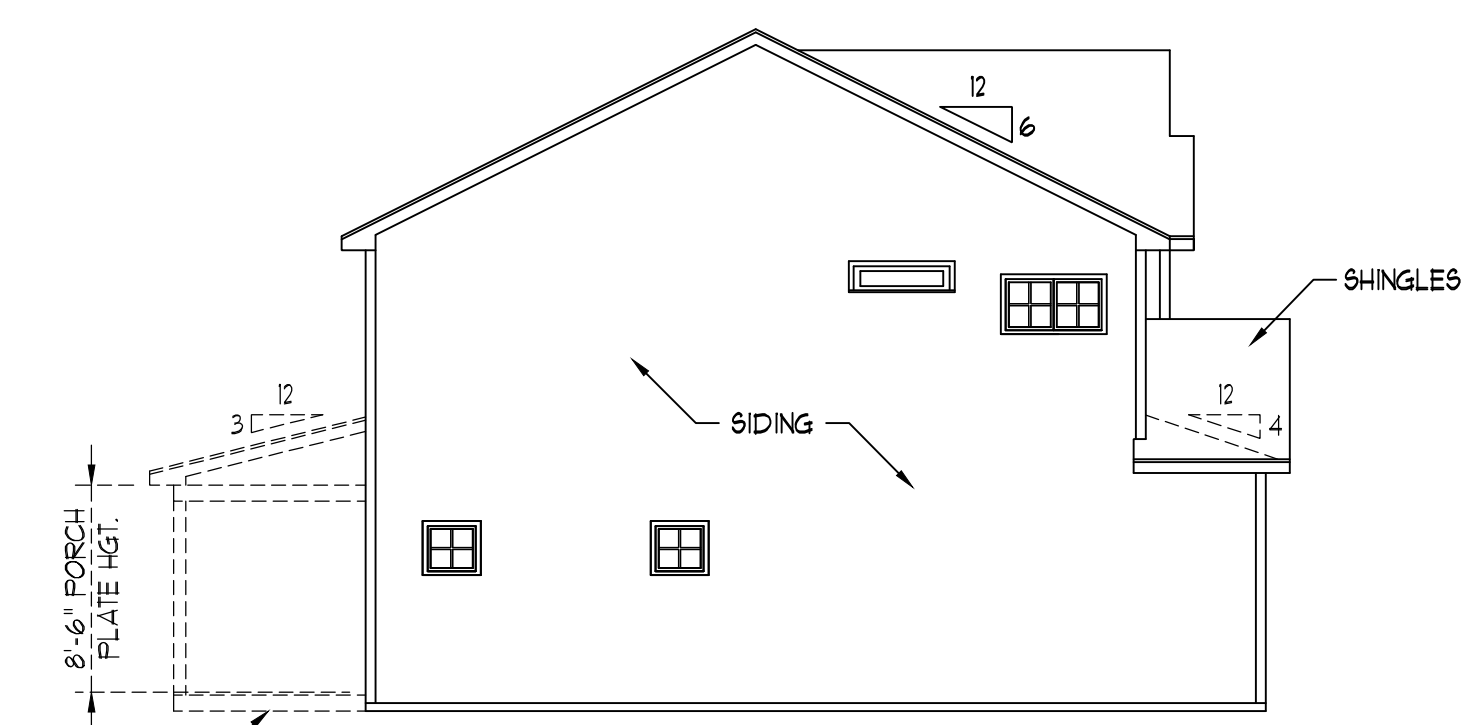
**BOARD & BATTEN**

**NO STONE**

**NOTICE TO CONTRACTOR**  
 All construction shall comply with current NC Building Codes and is subject to field inspection and verification.  
 Reviewed for Code Compliance  
 02/12/2025

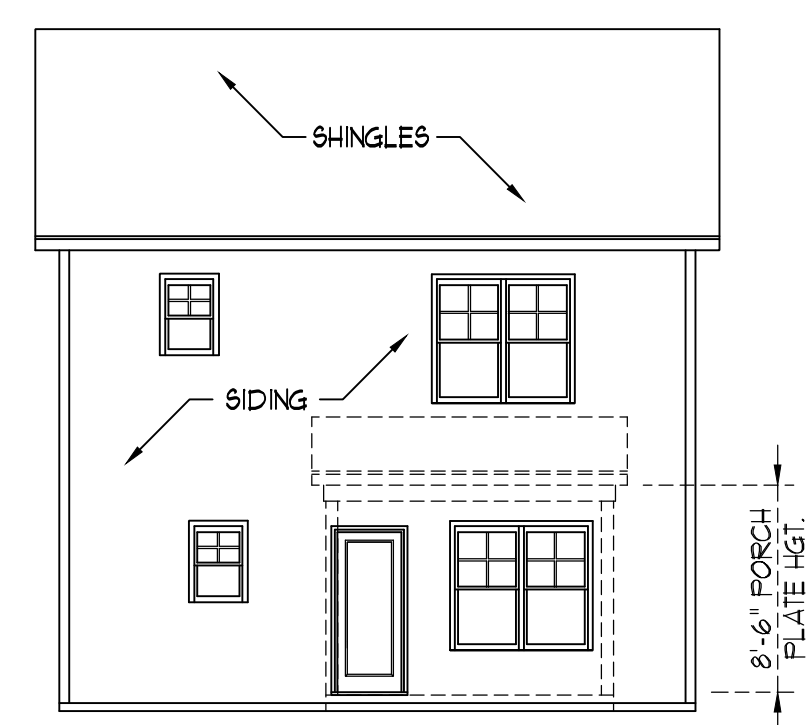
**FRONT ELEVATION-C**  
 SCALE: 1/4" = 1'-0"

**SEE FOUNDATION NOTES**

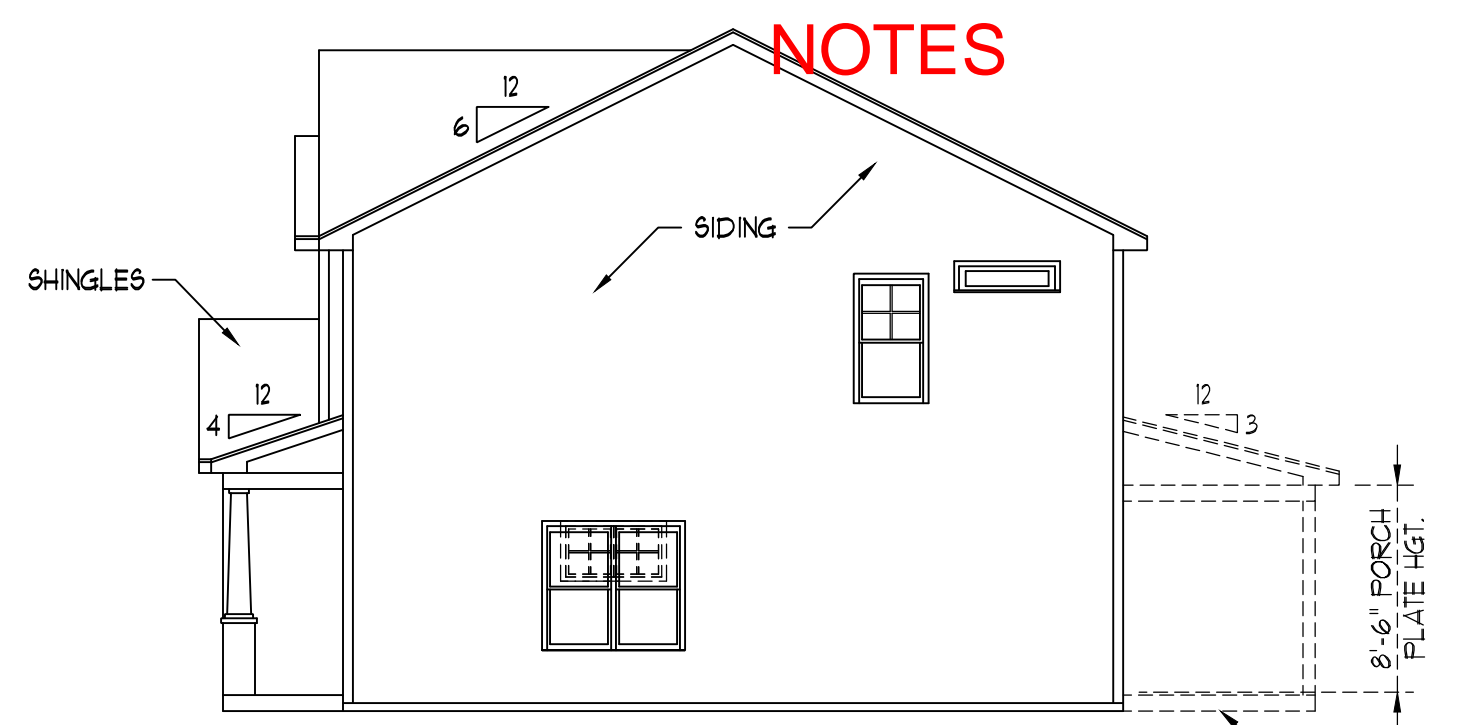


**COVERED PORCH**

**LEFT ELEVATION**  
 SCALE: 1/8" = 1'-0"



**REAR ELEVATION**  
 SCALE: 1/8" = 1'-0"



**COVERED PORCH**

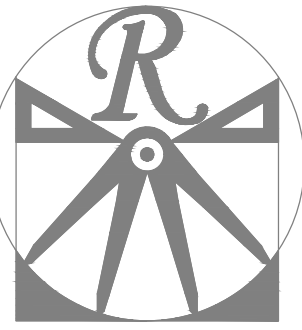
**RIGHT ELEVATION**  
 SCALE: 1/8" = 1'-0"

**WEAVER HOMES**  
**CAROLINA COLLECTION**  
**HICKORY DRIVE LEFT**

DATE: AUGUST 25, 2020  
 REV.:  
 SCALE: 1/4" = 1'-0"  
 DRAWN BY: WG  
 ENGINEERED BY:  
 REVIEWED BY:

C - ELEVATIONS  
**A-3**

SQUARE FOOTAGE (I.F.S.)	
1st FLOOR:	639 SQ. FT.
2nd FLOOR:	795 SQ. FT.
TOTAL:	1434 SQ. FT.
GARAGE:	232 SQ. FT.
FRONT PORCH:	73 SQ. FT.
STD. REAR PATIO:	96 SQ. FT.
OPT. REAR PORCH:	96 SQ. FT.



**RENAISSANCE**  
RESIDENTIAL DESIGN, INC.

RALEIGH, NC 27612  
(919) 648-4128  
WWW.RRDCAROLINA.COM

The art of transforming your vision into reality.

RENAISSANCE RESIDENTIAL DESIGN, INC. RESERVES THE RIGHT TO MAKE MODIFICATIONS TO FLOOR PLANS, DIMENSIONS, MATERIALS, AND SPECIFICATIONS WITHOUT NOTICE. THESE DRAWINGS ARE FOR THE PURPOSE OF CONVEYING AN ARCHITECTURAL CONCEPT ONLY.

RENAISSANCE RESIDENTIAL DESIGN, INC. HEREBY EXPRESSLY RESERVES ITS COMMON LAW COPYRIGHT AND OTHER PROPERTY RIGHTS IN THESE PLANS. THESE PLANS AND DRAWINGS ARE NOT TO BE REPRODUCED, CHANGED, OR COPIED IN ANY FORM OR MANNER WITHOUT FIRST OBTAINING THE EXPRESS WRITTEN CONSENT OF RENAISSANCE RESIDENTIAL DESIGN, INC. NOR ARE THEY TO BE ASSIGNED TO ANY THIRD PARTY WITHOUT FIRST OBTAINING SAID WRITTEN PERMISSION AND CONSENT.

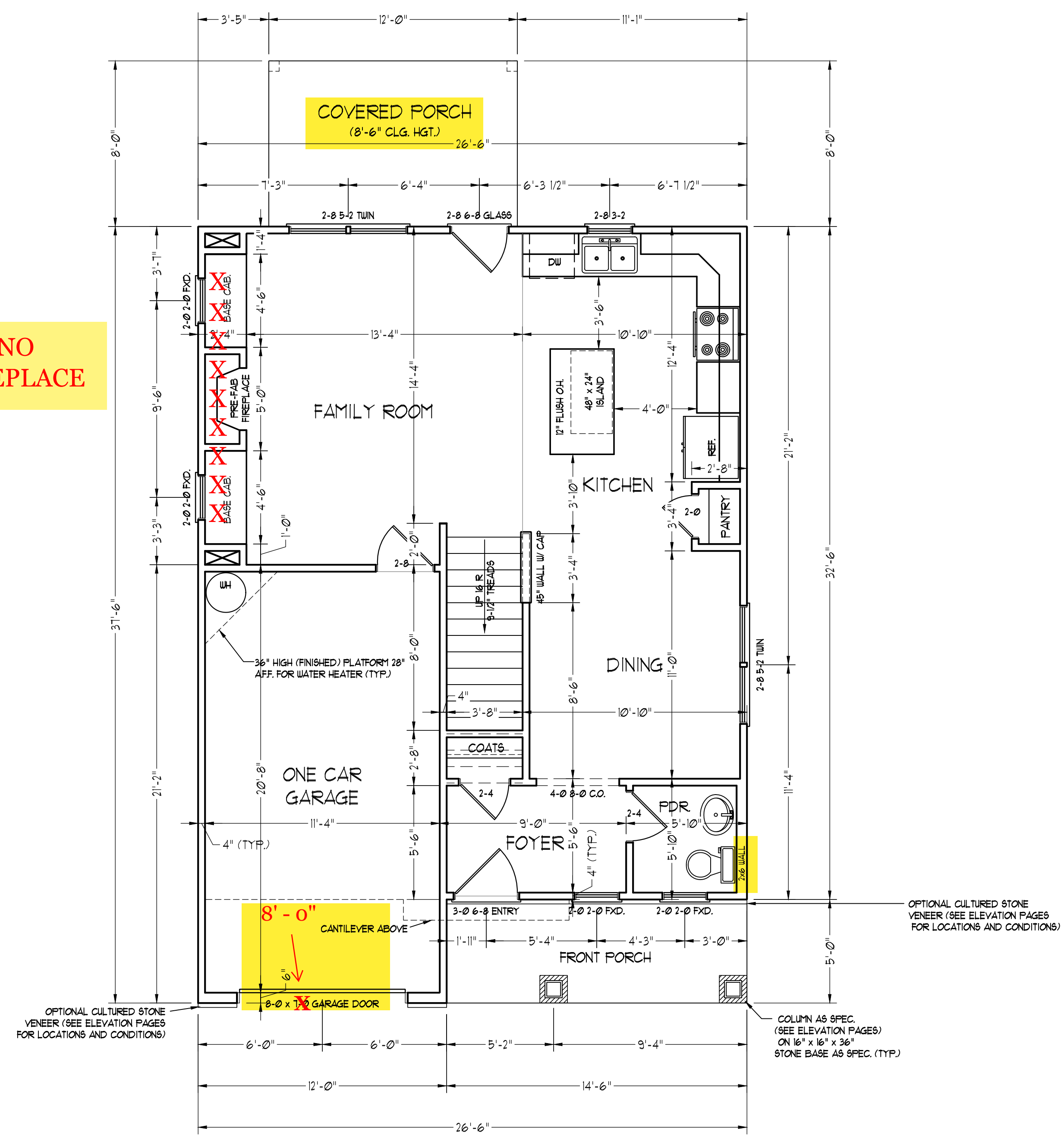
**WEAVER**  
**HOMES**  
350 Waggoner Drive • Fayetteville, NC 28303  
910.690.2190 • 800.802.2190  
www.weaver-homes.com

PRICES, PROMOTIONS, INCENTIVES, FEATURES, OPTIONS, FLOOR PLANS, ELEVATIONS, DESIGNS, MATERIALS AND DIMENSIONS ARE SUBJECT TO CHANGE WITHOUT NOTICE. SQUARE FOOTAGE AND DIMENSIONS ARE ESTIMATED AND NOT GUARANTEED. HOUSE QUALITY WILL BE DETERMINED BY THE SITE PLAN AND PLOT PLAN. FLOOR PLANS AND ELEVATION RENDERINGS ARE ARTIST CONCEPTIONS. FLOOR PLANS ARE THE COPYRIGHTED PROPERTY OF WEAVER HOMES. ALL RIGHTS ARE RESERVED. NO REPRODUCTION OR TRANSMISSION OF ANY KIND IS PERMITTED WITHOUT THE WRITTEN PERMISSION OF WEAVER HOMES. CURRENT DETAILS. COPYRIGHT © 2020 WEAVER HOMES

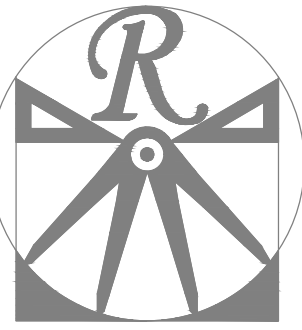
**WEAVER HOMES**  
**CAROLINA COLLECTION**  
**HICKORY DRIVE LEFT**

DATE: AUGUST 25, 2020  
REV.:  
SCALE: 1/4" = 1'-0"  
DRAWN BY: WG  
ENGINEERED BY:  
REVIEWED BY:

FIRST FLOOR  
PLAN  
**A-4**



SCALE NOTE: 18x24 PRINTS ARE TO SCALE AS NOTED.  
11x17 PRINTS ARE NOT TO SCALE



**RENAISSANCE**  
RESIDENTIAL DESIGN, INC.

RALEIGH, NC 27612  
(919) 648-4128  
WWW.RRDCAROLINA.COM

The art of transforming your vision into reality.

RENAISSANCE RESIDENTIAL DESIGN, INC. RESERVES THE RIGHT TO MAKE MODIFICATIONS TO FLOOR PLANS, DIMENSIONS, MATERIALS, AND SPECIFICATIONS WITHOUT NOTICE. THESE DRAWINGS ARE FOR THE PURPOSE OF CONVEYING AN ARCHITECTURAL CONCEPT ONLY.

RENAISSANCE RESIDENTIAL DESIGN, INC. HEREBY EXPRESSLY RESERVES ITS COMMON LAW COPYRIGHT AND OTHER PROPERTY RIGHTS IN THESE PLANS. THESE PLANS AND DRAWINGS ARE NOT TO BE REPRODUCED, CHANGED, OR COPIED IN ANY FORM OR MANNER WITHOUT FIRST OBTAINING THE EXPRESS WRITTEN CONSENT OF RENAISSANCE RESIDENTIAL DESIGN, INC. NOR ARE THEY TO BE ASSIGNED TO ANY THIRD PARTY WITHOUT FIRST OBTAINING SAID WRITTEN PERMISSION AND CONSENT.

**WEAVER**  
**HOMES**  
350 Waggoner Drive • Fayetteville, NC 28303  
910.690.2100 • 800.892.2190  
www.weaver-homes.com

PRICES, PROMOTIONS, INCENTIVES, FEATURES, OPTIONS, FLOOR PLANS, ELEVATIONS, DESIGNS, MATERIALS AND DIMENSIONS ARE SUBJECT TO CHANGE WITHOUT NOTICE. SQUARE FOOTAGE AND DIMENSIONS ARE ESTIMATED AND HOUSE QUALITY WILL BE DETERMINED BY THE SITE PLAN AND PLOT PLAN. FLOOR PLANS AND ELEVATION RENDERINGS ARE ARTIST CONCEPTIONS. FLOOR PLANS ARE THE COPYRIGHTED PROPERTY OF WEAVER HOMES. NO REPRODUCTION, PHOTOCOPYING, OR ANY OTHER FORM OF REPRODUCTION IS PROHIBITED. SEE NEW HOME SALES CONSULTANT FOR CURRENT DETAILS. COPYRIGHT © 2020 WEAVER HOMES

**WEAVER HOMES**  
**CAROLINA COLLECTION**  
**HICKORY DRIVE LEFT**

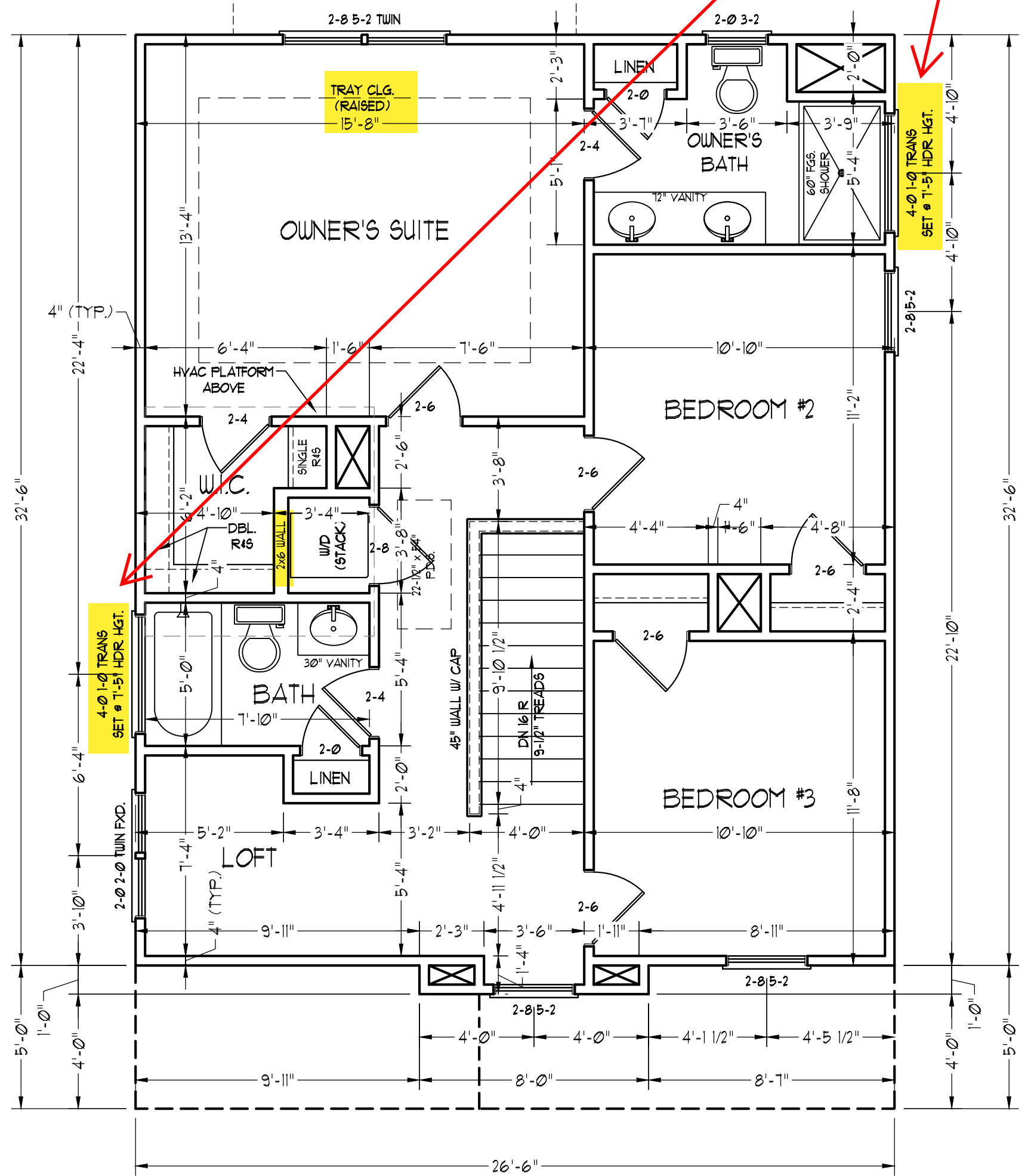
DATE: AUGUST 25, 2020  
REV.:  
SCALE: 1/4" = 1'-0"  
DRAWN BY: WG  
ENGINEERED BY:  
REVIEWED BY:

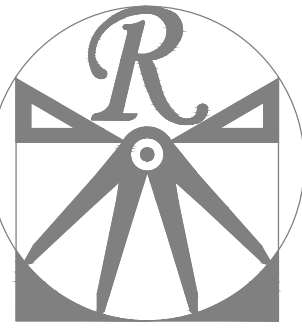
SECOND FLOOR  
PLAN

A-5

SCALE NOTE: 18x24 PRINTS ARE TO SCALE AS NOTED.  
11x17 PRINTS ARE NOT TO SCALE

**RAISE HEADER TO TOP PLATE**





**RENAISSANCE**  
RESIDENTIAL DESIGN, INC.

RALEIGH, NC 27612  
(919) 648-4128  
WWW.RRDCAROLINA.COM

The art of transforming your vision into reality.

RENAISSANCE RESIDENTIAL DESIGN, INC. RESERVES THE RIGHT TO MAKE MODIFICATIONS TO FLOOR PLANS, DIMENSIONS, MATERIALS, AND SPECIFICATIONS WITHOUT NOTICE. THESE DRAWINGS ARE FOR THE PURPOSE OF CONVEYING AN ARCHITECTURAL CONCEPT ONLY.

RENAISSANCE RESIDENTIAL DESIGN, INC. HEREBY EXPRESSLY RESERVES ITS COMMON LAW COPYRIGHT AND OTHER PROPERTY RIGHTS IN THESE PLANS. THESE PLANS AND DRAWINGS ARE NOT TO BE REPRODUCED, CHANGED, OR COPIED IN ANY FORM OR MANNER WITHOUT FIRST OBTAINING THE EXPRESS WRITTEN CONSENT OF RENAISSANCE RESIDENTIAL DESIGN, INC. NOR ARE THEY TO BE ASSIGNED TO ANY THIRD PARTY WITHOUT FIRST OBTAINING SAID WRITTEN PERMISSION AND CONSENT.

**WEAVER HOMES**  
350 Waggoner Drive • Fayetteville, NC 28303  
910.690.2100 • 800.802.2190  
www.weaver-homes.com

PRICE PROMOTIONS, INCENTIVES, FEATURES, OPTIONS, FLOOR PLANS, ELEVATIONS, DESIGNS, MATERIALS AND DIMENSIONS ARE SUBJECT TO CHANGE WITHOUT NOTICE. SQUARE FOOTAGE AND DIMENSIONS ARE ESTIMATED AND NOT TO BE USED FOR CONSTRUCTION. HOUSE QUALITY WILL BE DETERMINED BY THE SITE PLAN AND PLOT PLAN. FLOOR PLANS AND ELEVATION RENDERINGS ARE ARTIST CONCEPTIONS. FLOOR PLANS ARE THE COPYRIGHTED PROPERTY OF WE AVER HOMES. NO REPRODUCTION, DISTRIBUTION, SALE, OR USE OF THESE DRAWINGS IS PROHIBITED. SEE NEW HOME SALES CONSULTANT FOR CURRENT DETAILS. COPYRIGHT © 2020 WEAVER HOMES

**WEAVER HOMES**  
CAROLINA COLLECTION  
HICKORY DRIVE LEFT

DATE: AUGUST 25, 2020  
REV.:  
SCALE: 1/4" = 1'-0"  
DRAWN BY: WG  
ENGINEERED BY:  
REVIEWED BY:

FIRST FLOOR  
ELECTRICAL  
PLAN

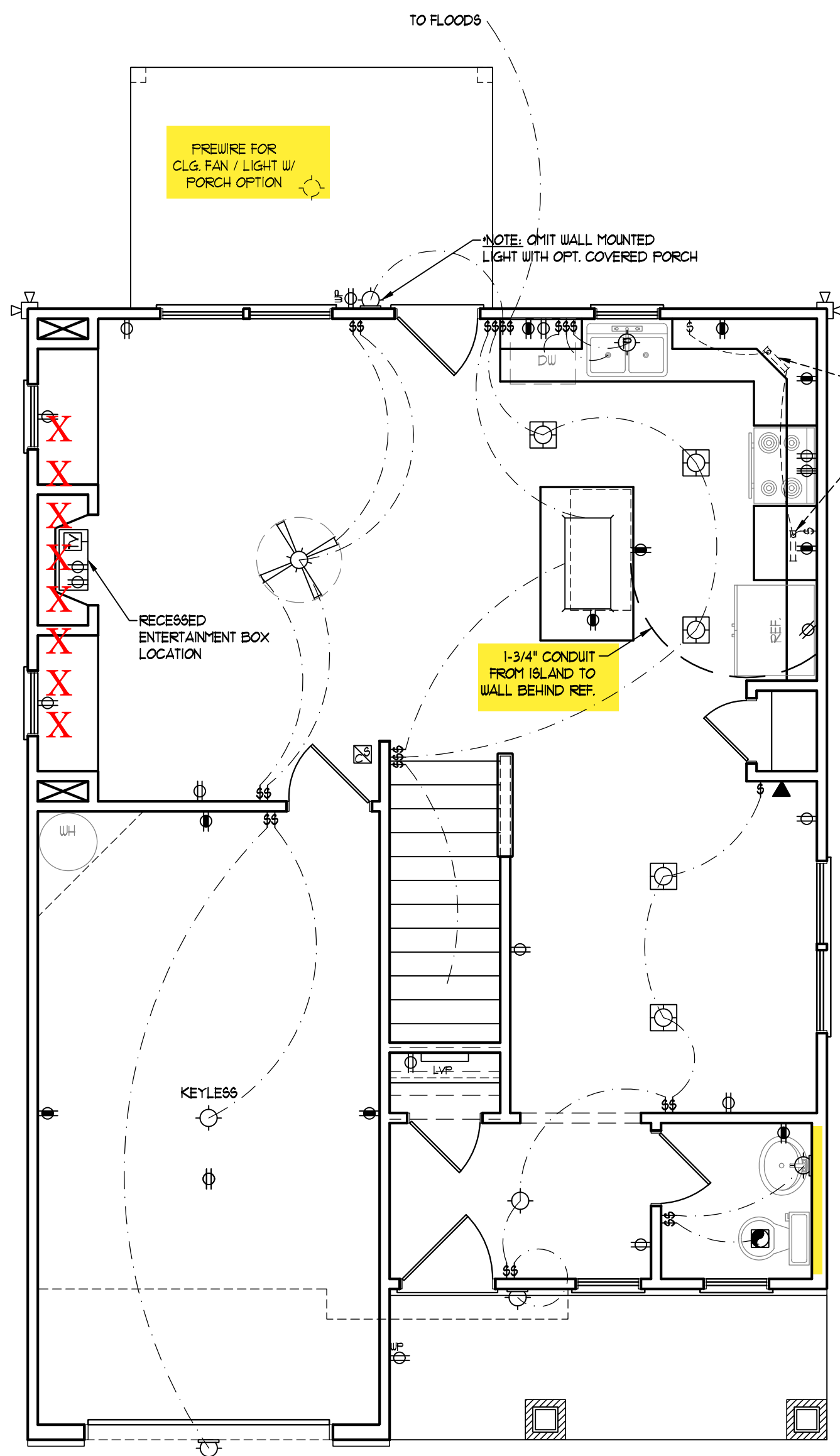
E-1

**ELECTRICAL LAYOUT NOTES:**

- 1.) BLOCK AND WIRE FOR ALL CEILING FANS PER PLAN.
- 2.) VANITY LIGHTS TO BE SET @ 30" AFF. (TYP.)
- 3.) ADDITIONAL EXTERIOR OUTLETS REQUIRED BY CODE TO BE LOCATED BY ELECTRICIAN.
- 4.) PLACE SWITCHES 8" (MIN.) FROM ROUGH OPENINGS.

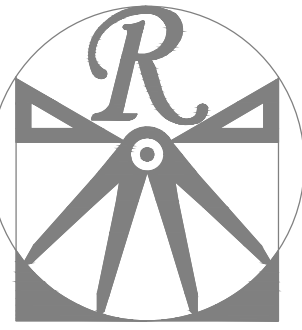
**ELECTRICAL LEGEND**

- 110 V OUTLET
- 110 V GFI OUTLET
- 110 V SWITCHED OUTLET
- BB ○ 110 V BASEBOARD OUTLET
- ⊕ 4-FLEX
- ⊕ COUNTER OR FLOOR MOUNTED
- ⊕ COUNTER OR FLOOR MOUNTED 110V GFI
- ⊕ WEATHERPROOF
- 220 V OUTLET
- 110 V DEDICATED CIRCUIT
- 220 V DEDICATED CIRCUIT
- ⊕ SPECIAL PURPOSE (240 V, ETC.)
- WALL MOUNT LIGHT
- CEILING MOUNT LIGHT
- PENDANT LIGHT
- ⊕ RECESSED CAN LIGHT
- ⊕ MINI CAN LIGHT
- ⊕ EYEBALL LIGHT
- ⊕ FLUORESCENT LIGHT
- ⊕ UNDERCABINET LIGHT
- ⊕ FLOOD LIGHT
- ⊕ SWITCH
- ⊕ DIMMER SWITCH
- ▲ TELEPHONE
- △ DATA
- ▲ TELEPHONE AND DATA
- TV TV CONNECTION
- TV DATA
- ⊕ CONDUIT FOR COMPONENT WIRING
- ⊕ SPEAKER
- ⊕ 110 V SMOKE/ CO DETECTOR
- ⊕ 110 V SMOKE DETECTOR
- ⊕ EXHAUST FAN
- ⊕ LOW VOLTAGE PANEL
- ⊕ ALARM PANEL



**NO FIREPLACE**

SCALE NOTE: 18x24 PRINTS ARE TO SCALE AS NOTED.  
11x17 PRINTS ARE NOT TO SCALE



**RENAISSANCE**  
RESIDENTIAL DESIGN, INC.

RALEIGH, NC 27612  
(919) 648-4128  
WWW.RRDCAROLINA.COM

The art of transforming your vision into reality.  
RENAISSANCE RESIDENTIAL DESIGN, INC. RESERVES THE RIGHT TO MAKE MODIFICATIONS TO FLOOR PLANS, DIMENSIONS, MATERIALS, AND SPECIFICATIONS WITHOUT NOTICE. THESE DRAWINGS ARE FOR THE PURPOSE OF CONVEYING AN ARCHITECTURAL CONCEPT ONLY.

RENAISSANCE RESIDENTIAL DESIGN, INC. HEREBY EXPRESSLY RESERVES ITS COMMON LAW COPYRIGHT AND OTHER PROPERTY RIGHTS IN THESE PLANS. THESE PLANS AND DRAWINGS ARE NOT TO BE REPRODUCED, CHANGED, OR COPIED IN ANY FORM OR MANNER WITHOUT FIRST OBTAINING THE EXPRESS WRITTEN CONSENT OF RENAISSANCE RESIDENTIAL DESIGN, INC. NOR ARE THEY TO BE ASSIGNED TO ANY THIRD PARTY WITHOUT FIRST OBTAINING SAID WRITTEN PERMISSION AND CONSENT.

**WEAVER HOMES**  
350 Waggoner Drive • Fayetteville, NC 28303  
910.690.2190 • 800.802.2190  
www.weaver-homes.com

PRICE PROMOTIONS, INCENTIVES, FEATURES, OPTIONS, FLOOR PLANS, ELEVATIONS, DESIGNS, MATERIALS AND DIMENSIONS ARE SUBJECT TO CHANGE WITHOUT NOTICE. SQUARE FOOTAGE AND DIMENSIONS ARE ESTIMATED AND NOT GUARANTEED. HOUSE QUALITY WILL BE DETERMINED BY THE SITE PLAN AND HOUSE CONCEPTS. FLOOR PLANS AND ELEVATION RENDERINGS ARE THE PROPERTY OF WE AVER HOMES. NO REPRODUCTION, PHOTOCOPYING, OR ANY OTHER FORM OF INFORMATION PROHIBITED. SEE NEW HOME SALES CONSULTANT FOR CURRENT DETAILS. COPYRIGHT © 2020 WEAVER HOMES

**WEAVER HOMES**  
**CAROLINA COLLECTION**  
**HICKORY DRIVE LEFT**

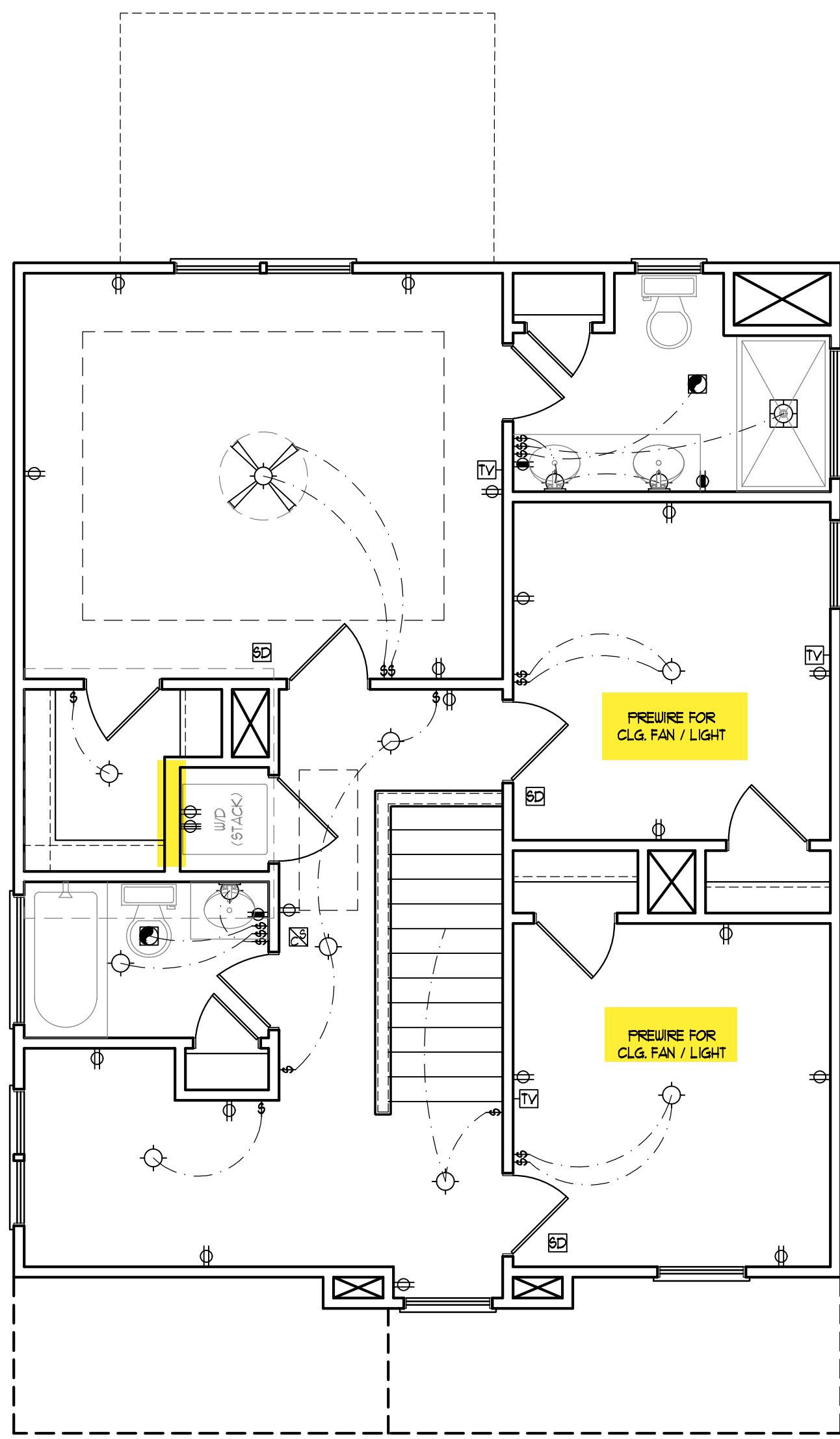
DATE: AUGUST 25, 2020  
REV.:  
SCALE: 1/4" = 1'-0"  
DRAWN BY: WG  
ENGINEERED BY:  
REVIEWED BY:

SECOND FLOOR  
ELCTRICAL  
PLAN

E-2

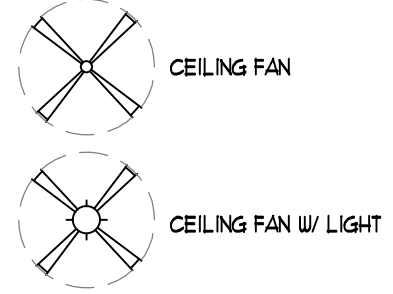
**ELECTRICAL LAYOUT NOTES:**

- 1.) BLOCK AND WIRE FOR ALL CEILING FANS PER PLAN.
- 2.) VANITY LIGHTS TO BE SET @ 90" AFF. (TYP.)
- 3.) ADDITIONAL EXTERIOR OUTLETS REQUIRED BY CODE TO BE LOCATED BY ELECTRICIAN.
- 4.) PLACE SWITCHES 8" (MIN.) FROM ROUGH OPENINGS.

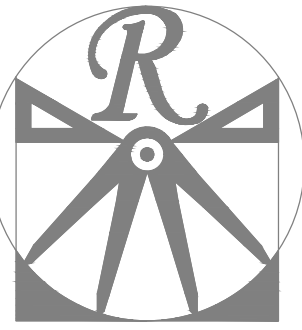


**ELECTRICAL LEGEND**

- ⊖ 110 V OUTLET
- ⊖ 110 V GFI OUTLET
- ⊖ 110 V SWITCHED OUTLET
- BB ⊖ 110 V BASEBOARD OUTLET
- ⊖ 4-FLEX
- ⊖ COUNTER OR FLOOR MOUNTED
- ⊖ COUNTER OR FLOOR MOUNTED 110V GFI
- ⊖ WEATHERPROOF
- ⊖ 220 V OUTLET
- ⊖ 110 V DEDICATED CIRCUIT
- ⊖ 220 V DEDICATED CIRCUIT
- ⊖ SPECIAL PURPOSE (240 V, ETC.)
- ⊖ WALL MOUNT LIGHT
- ⊖ CEILING MOUNT LIGHT
- ⊖ PENDANT LIGHT
- ⊖ RECESSED CAN LIGHT
- ⊖ MINI CAN LIGHT
- ⊖ EYEBALL LIGHT
- ⊖ FLUORESCENT LIGHT
- ⊖ UNDERCABINET LIGHT
- ⊖ FLOOD LIGHT
- ⊖ SWITCH
- ⊖ DIMMER SWITCH
- ▲ TELEPHONE
- △ DATA
- ▲ TELEPHONE AND DATA
- TV TV CONNECTION
- TV DATA
- ⊖ CONDUIT FOR COMPONENT WIRING
- ⊖ SPEAKER
- ⊖ 110 V SMOKE/ CO DETECTOR
- ⊖ 110 V SMOKE DETECTOR
- ⊖ EXHAUST FAN
- LVP LOW VOLTAGE PANEL
- ALARM ALARM PANEL



SCALE NOTE: 18x24 PRINTS ARE TO SCALE AS NOTED.  
11x17 PRINTS ARE NOT TO SCALE



**RENAISSANCE**  
RESIDENTIAL DESIGN, INC.

RALEIGH, NC 27612  
(919) 648-4128  
WWW.RRDCAROLINA.COM

The art of transforming your vision into reality.

RENAISSANCE RESIDENTIAL DESIGN, INC. RESERVES THE RIGHT TO MAKE MODIFICATIONS TO FLOOR PLANS, DIMENSIONS, MATERIALS, AND SPECIFICATIONS WITHOUT NOTICE. THESE DRAWINGS ARE FOR THE PURPOSE OF CONVEYING AN ARCHITECTURAL CONCEPT ONLY.

RENAISSANCE RESIDENTIAL DESIGN, INC. HEREBY EXPRESSLY RESERVES ITS COMMON LAW COPYRIGHT AND OTHER PROPERTY RIGHTS IN THESE PLANS. THESE PLANS AND DRAWINGS ARE NOT TO BE REPRODUCED, CHANGED, OR COPIED IN ANY FORM OR MANNER WITHOUT FIRST OBTAINING THE EXPRESS WRITTEN CONSENT OF RENAISSANCE RESIDENTIAL DESIGN, INC. NOR ARE THEY TO BE ASSIGNED TO ANY THIRD PARTY WITHOUT FIRST OBTAINING SAID WRITTEN PERMISSION AND CONSENT.

**WEAVER HOMES**  
350 Waggoner Drive • Fayetteville, NC 28303  
910.690.2190 • 800.892.2190  
www.weaver-homes.com

PRICE PROMOTIONS, INCENTIVES, FEATURES, OPTIONS, FLOOR PLANS, ELEVATIONS, DESIGNS, MATERIALS AND DIMENSIONS ARE SUBJECT TO CHANGE WITHOUT NOTICE. SQUARE FOOTAGE AND DIMENSIONS ARE ESTIMATED AND HOUSE QUALITY WILL BE DETERMINED BY THE SITE PLAN AND LOT PLAN. FLOOR PLANS AND ELEVATION RENDERINGS ARE ARTIST CONCEPTIONS. FLOOR PLANS ARE THE COPYRIGHTED PROPERTY OF WEAVER HOMES. ALL RIGHTS ARE RESERVED. PROHIBITED: SEE HOME SALES CONSULTANT FOR CURRENT DETAILS. COPYRIGHT © 2020 WEAVER HOMES

**WEAVER HOMES**  
CAROLINA COLLECTION  
HICKORY DRIVE LEFT

DATE: AUGUST 25, 2020

REV.:

SCALE: 1/4" = 1'-0"

DRAWN BY: WG

ENGINEERED BY:

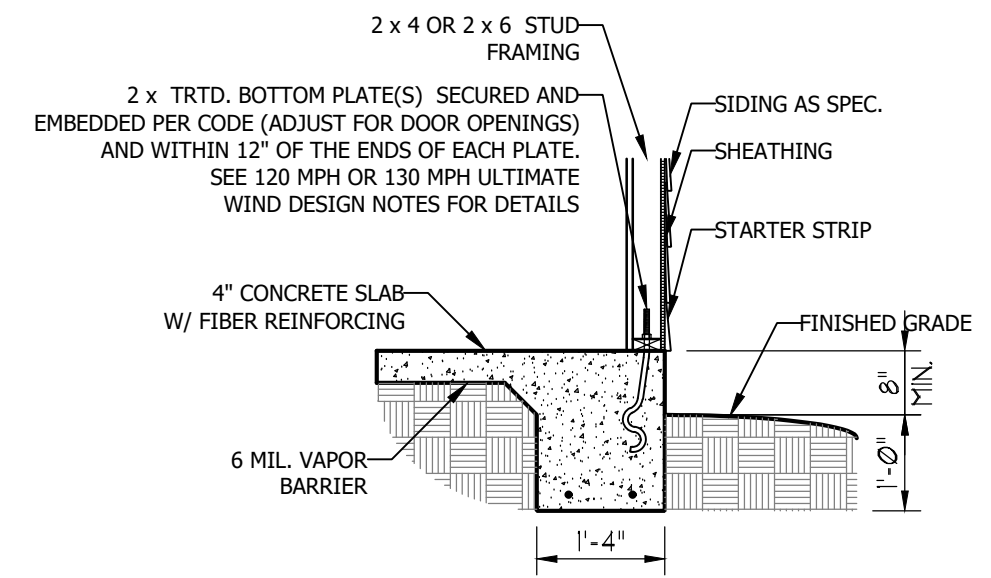
REVIEWED BY:

MONO SLAB  
FOUNDATION  
PLAN

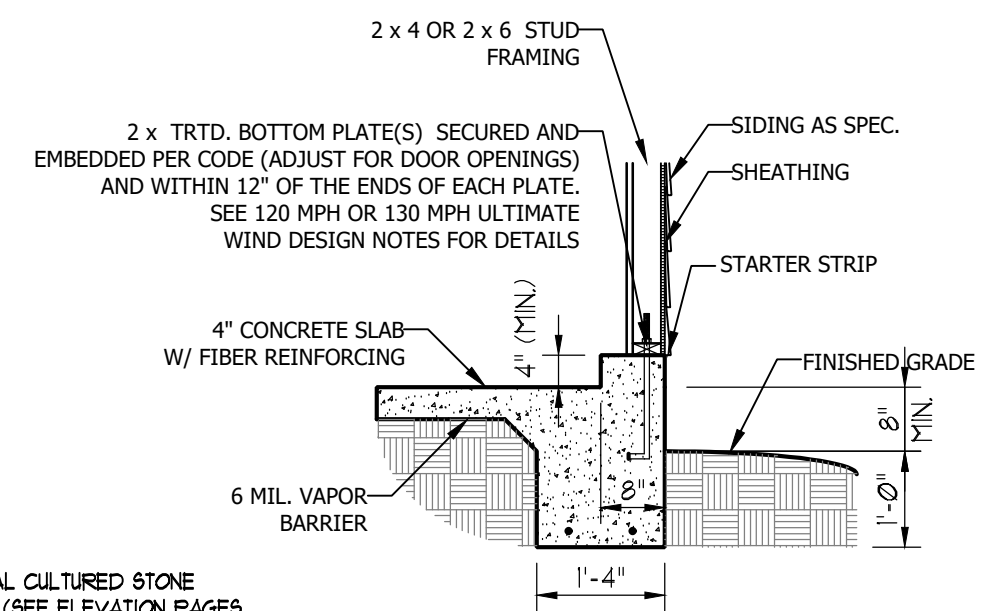
S-1

**ULTIMATE DESIGN WIND SPEED NOTES FOR LESS THAN 30' MEAN ROOF HEIGHT:**

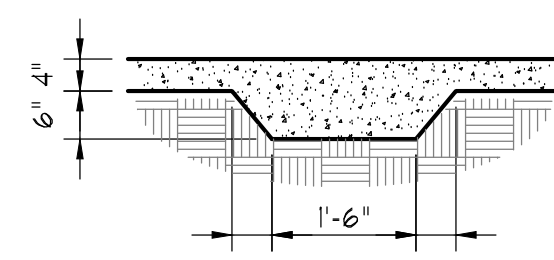
1. STRUCTURAL DESIGN PER NORTH CAROLINA RESIDENTIAL CODE, 2018 EDITION.
2. FOR 120 MPH WIND ZONES INSTALL 1/2" ANCHOR BOLTS 6'-0" O.C. AND WITHIN 1'-0" FROM END OF EACH CORNER. ANCHOR BOLTS MUST EXTEND A MINIMUM OF 7" INTO CONCRETE OR 15" INTO MASONRY. LOCATE BOLT WITHIN MIDDLE THIRD OF PLATE WIDTH.
3. FOR 130 MPH WIND ZONES INSTALL 1/2" ANCHOR BOLTS 4'-0" O.C. AND WITHIN 1'-0" FROM END OF EACH CORNER. ANCHOR BOLTS MUST EXTEND A MINIMUM OF 7" INTO CONCRETE OR 15" INTO MASONRY. LOCATE BOLT WITHIN MIDDLE THIRD OF PLATE WIDTH.
4. MEAN ROOF HEIGHT IS LESS THAN 30 FEET.
5. EXTERIOR WALLS DESIGNED FOR 120 OR 130 MPH WINDS.
6. INSTALL 7/16" OSB SHEATHING ON ALL EXTERIOR WALLS OF ALL STORIES IN ACCORDANCE WITH SECTION R602.10.3 OF THE NRCR, 2018 EDITION.
7. ENERGY EFFICIENCY COMPLIANCE AND INSULATION VALUES OF THE BUILDING TO BE IN ACCORDANCE WITH CHAPTER 11 OF THE NRCR, 2018 EDITION.



**TYPICAL SLAB DETAIL**

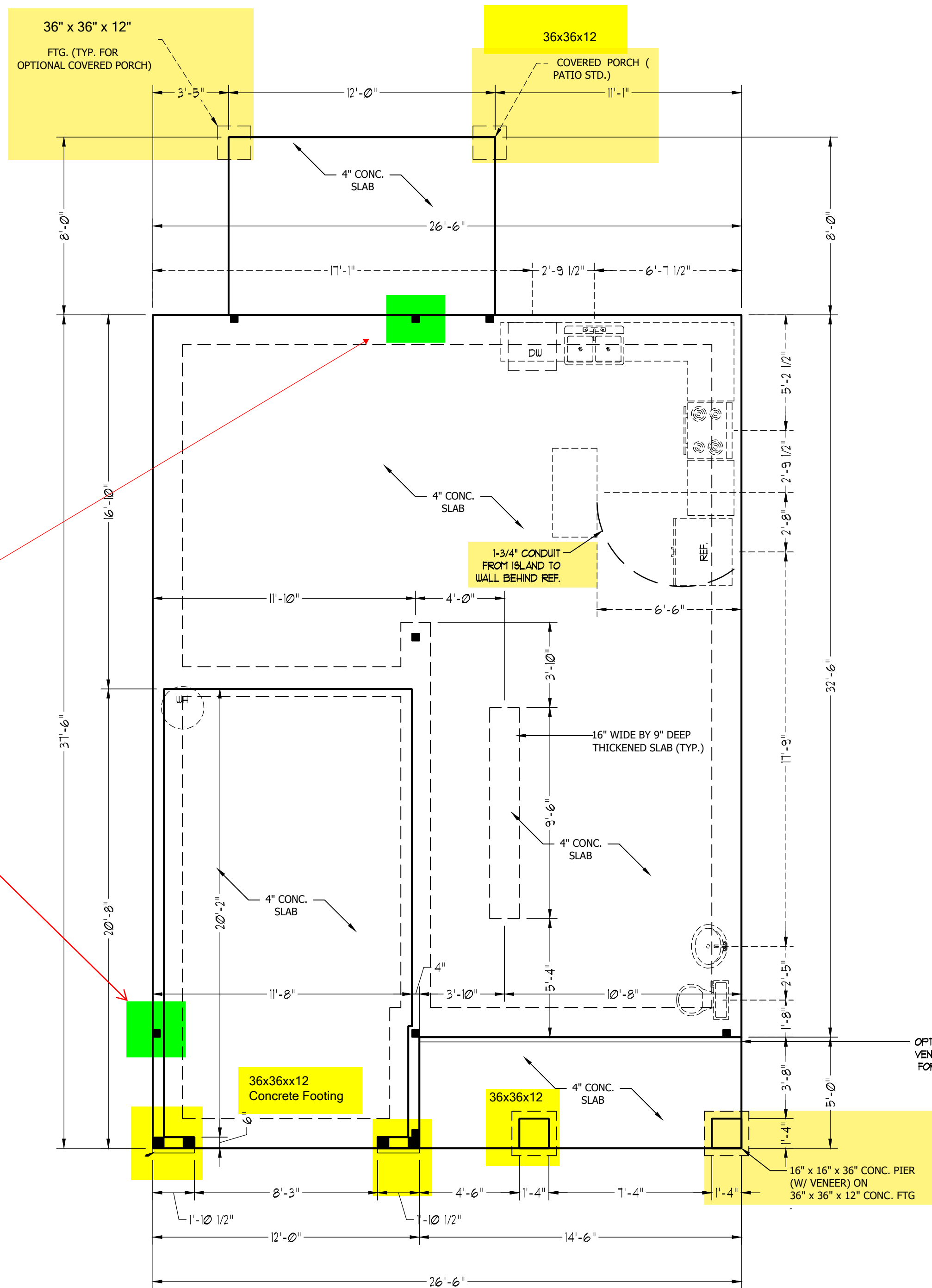


**GARAGE CURB DETAIL**



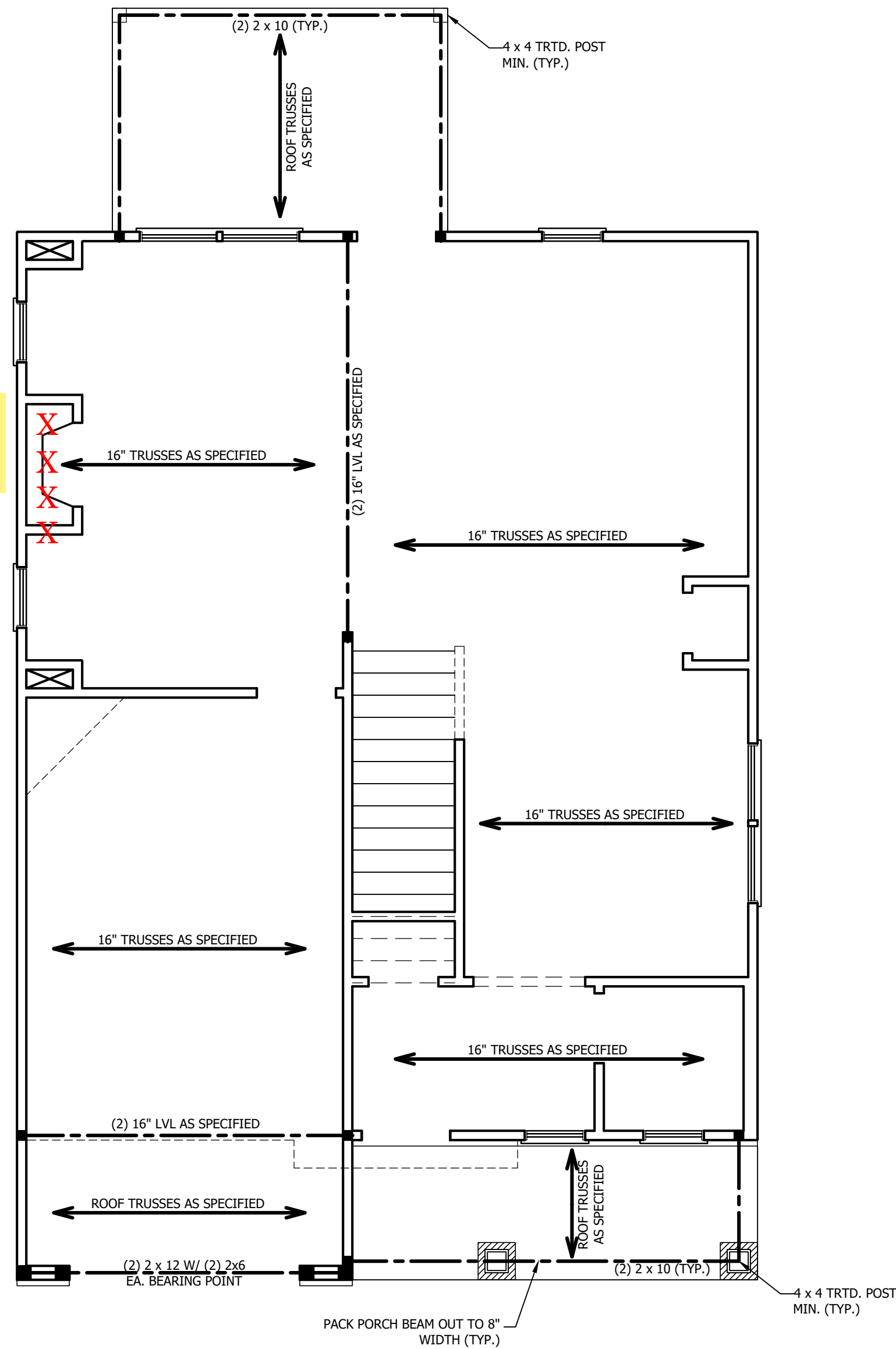
**THICKENED SLAB DETAIL**

ENLARGED FOOTINGS



SCALE NOTE: 18x24 PRINTS ARE TO SCALE AS NOTED.  
11x17 PRINTS ARE NOT TO SCALE

**NO  
FIREPLACE**



**STRUCTURAL NOTES:**

1. ALL FRAMING LUMBER TO BE SPF #2 (UNO). ALL TREATED LUMBER TO BE SPY #2 (UNO.)
2. ALL LOAD BEARING HEADERS TO BE (2) 2 x 4 (UNO).
3. INSTALL AN EXTRA JOIST UNDER WALLS PARALLEL TO FLOOR JOISTS
4. WINDOW AND DOOR HEADERS TO BE SUPPORTED w/ (1) JACK STUD AND (1) KING STUD EA. END (UNO.). SEE TABLE R602.7.5 FOR ADDITIONAL KING STUD REQUIREMENTS.
5. SQUARES DENOTE POINT LOADS WHICH REQUIRE SOLID BLOCKING TO GIRDER OR FOUNDATION. ALL SQUARES TO BE (2) STUDS (UNO.)
6. ALL 4 X 4 POSTS SHALL BE ANCHORED TO SLABS W/ SIMPSON ABU44 POST BASES (OR EQUAL) AND 6 X 6 POSTS W/ ABU66 POST BASES (OR EQUAL) (UNO). ALL 4 X 4 AND 6 X 6 POSTS TO BE INSTALLED WITH 700 LB CAPACITY UPLIFT CONNECTORS AT TOP (UNO.)
7. FOR FIBERGLASS, ALUMINUM, OR COLUMN ENG. BY OTHERS, SECURE TO SLAB W/ (2) METAL ANGLES USING 2" CONC. SCREWS. FASTEN ANGLES TO COLUMNS W/ 1/4" THROUGH BOLTS W/ NUTS AND WASHERS. LOCATE ANGLES ON OPPOSITE SIDES OF COLUMN. THROUGH BOLTS MUST BE INSTALLED PRIOR TO SETTING COLUMN.

**BRACE WALL PANEL NOTES:**

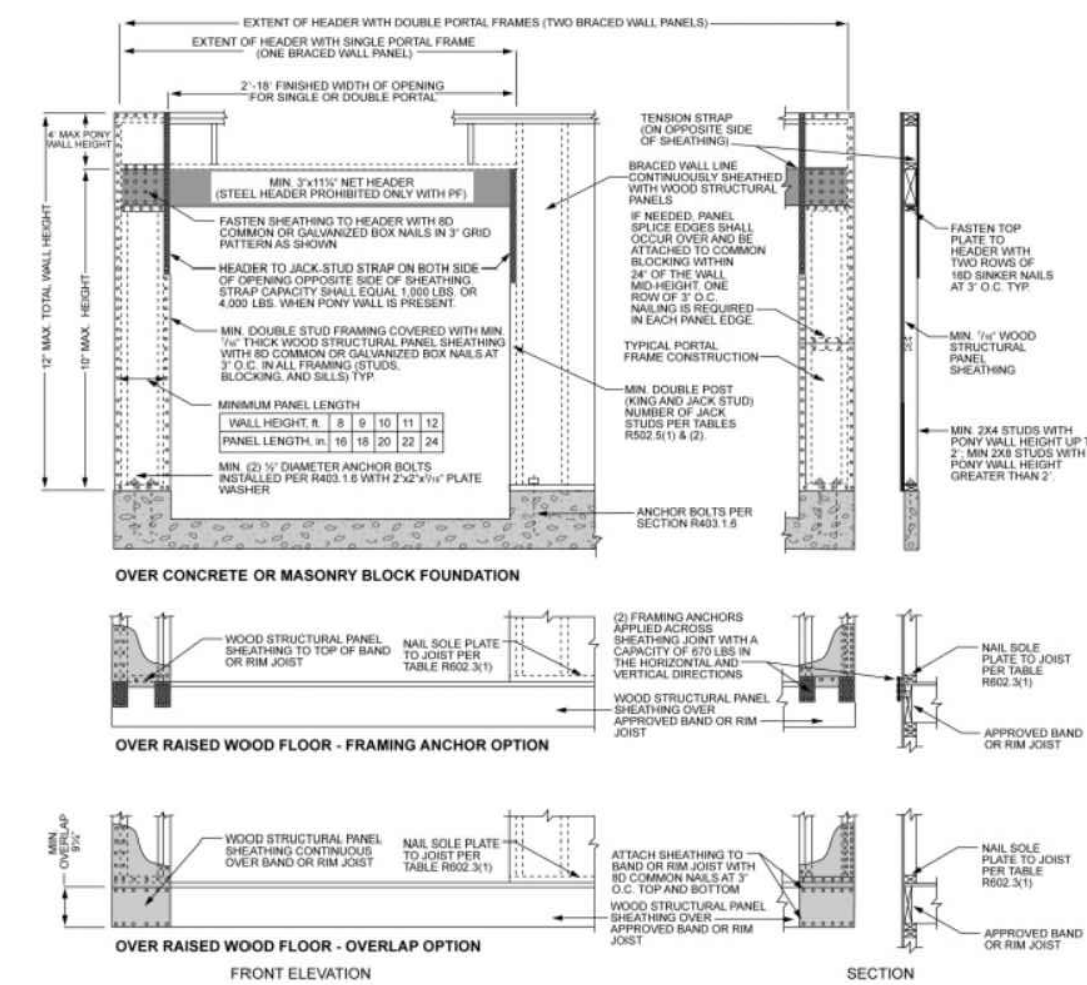
**EXTERIOR WALLS:** ALL EXTERIOR WALLS TO BE SHEATHED WITH CS-WSP OR CS-SFB IN ACCORDANCE WITH SECTION R602.10.3 UNLESS NOTED OTHERWISE.

**REQUIRED LENGTH OF BRACING:** REQUIRED BRACE WALL LENGTH FOR EACH SIDE OF THE CIRCUMSCRIBED RECTANGLE ARE INTERPOLATED PER TABLE R602.10.3. METHODS CS-WSP AND CS-SFB CONTRIBUTE THEIR ACTUAL LENGTH. METHOD GB CONTRIBUTES 0.5 ITS ACTUAL LENGTH. METHOD PF CONTRIBUTES 1.5 TIMES ITS ACTUAL LENGTH.

**GYPSON:** ALL INTERIOR SIDES OF EXTERIOR WALLS AND BOTH SIDES OF INTERIOR WALLS TO HAVE 1/2" GYPSON INSTALLED. WHEN NOT USING METHOD GB GYPSON TO BE FASTENED PER TABLE R702.3.5. METHOD GB TO BE FASTENED PER TABLE R602.10.1.

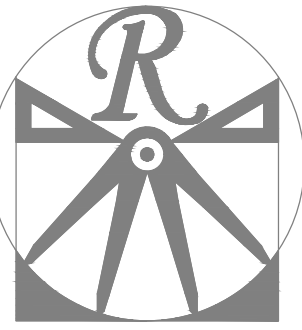
**HD:** 800 LBS HOLD DOWN DEVICE FASTENED TO THE EDGE OF THE BRACE WALL PANEL NEAREST TO THE CORNER

**METHODS:** PER TABLE R602.10.1



inch = 25.4 mm, 1 foot = 305 mm, 1 lb = 4.45 N.

**FIGURE R602.10.1  
METHOD PF—PORTAL FRAME CONSTRUCTION**



**RENAISSANCE  
RESIDENTIAL DESIGN, INC.**

RALEIGH, NC 27612  
(919) 648-4128  
WWW.RRD-CAROLINA.COM

The art of transforming your vision into reality.

RENAISSANCE RESIDENTIAL DESIGN, INC. RESERVES THE RIGHT TO MAKE MODIFICATIONS TO FLOOR PLANS, DIMENSIONS, MATERIALS, AND SPECIFICATIONS WITHOUT NOTICE. THESE DRAWINGS ARE FOR THE PURPOSE OF CONVEYING AN ARCHITECTURAL CONCEPT ONLY.

RENAISSANCE RESIDENTIAL DESIGN, INC. HEREBY EXPRESSLY RESERVES ITS COMMON LAW COPYRIGHT AND OTHER PROPERTY RIGHTS IN THESE PLANS. THESE PLANS AND DRAWINGS ARE NOT TO BE REPRODUCED, CHANGED, OR COPIED IN ANY FORM OR MANNER WITHOUT FIRST OBTAINING THE EXPRESS WRITTEN CONSENT OF RENAISSANCE RESIDENTIAL DESIGN, INC. NOR ARE THEY TO BE ASSIGNED TO ANY THIRD PARTY WITHOUT FIRST OBTAINING SAID WRITTEN PERMISSION AND CONSENT.

**WEAVER  
HOMES**  
3590 Waggoner Drive • Fayetteville, NC 28303  
910.630.2190 • 800.802.2190  
www.weaver-homes.com

PRICE PROMOTIONS, INCENTIVES, FEATURES, OPTIONS, FLOOR PLANS, ELEVATIONS, DESIGN, MATERIALS AND DIMENSIONS ARE SUBJECT TO CHANGE WITHOUT NOTICE. SQUARE FOOTAGE AND DIMENSIONS ARE ESTIMATED AND HOUSE QUALITY WILL BE DETERMINED BY THE SITE PLAN AND PLOT PLAN. FLOOR PLANS AND ELEVATION RENDERINGS ARE ARTIST CONCEPTIONS. FLOOR PLANS ARE THE COPYRIGHTED PROPERTY OF WEAVER HOMES. ALL RIGHTS ARE RESERVED. PROHIBITED: SEE NEW HOME SALES CONSULTANT FOR CURRENT DETAILS. COPYRIGHT © 2020 WEAVER HOMES

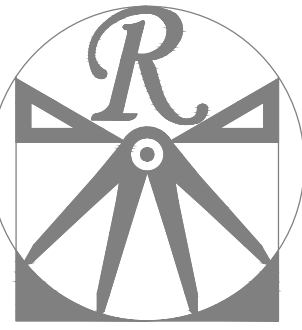
**WEAVER HOMES  
CAROLINA COLLECTION  
HICKORY DRIVE LEFT**

DATE: AUGUST 23, 2020  
REV.:  
SCALE: 1/4" = 1'-0"  
DRAWN BY: WG  
ENGINEERED BY:  
REVIEWED BY:

SECOND FLOOR  
FRAMING PLAN

S-2

SCALE NOTE: 18x24 PRINTS ARE TO SCALE AS NOTED.  
11x17 PRINTS ARE NOT TO SCALE



**RENAISSANCE**

RESIDENTIAL DESIGN, INC.

RALEIGH, NC 27612

(919) 648-4128

WWW.RRDCAROLINA.COM

The art of transforming your vision into reality.

RENAISSANCE RESIDENTIAL DESIGN, INC. RESERVES THE RIGHT TO MAKE MODIFICATIONS TO FLOOR PLANS, DIMENSIONS, MATERIALS, AND SPECIFICATIONS WITHOUT NOTICE. THESE DRAWINGS ARE FOR THE PURPOSE OF CONVEYING AN ARCHITECTURAL CONCEPT ONLY.

RENAISSANCE RESIDENTIAL DESIGN, INC. HEREBY EXPRESSLY RESERVES ITS COMMON LAW COPYRIGHT AND OTHER PROPERTY RIGHTS IN THESE PLANS. THESE PLANS AND DRAWINGS ARE NOT TO BE REPRODUCED, CHANGED, OR COPIED IN ANY FORM OR MANNER WITHOUT FIRST OBTAINING THE EXPRESS WRITTEN CONSENT OF RENAISSANCE RESIDENTIAL DESIGNS, INC. NOR ARE THEY TO BE ASSIGNED TO ANY THIRD PARTY WITHOUT FIRST OBTAINING SAID WRITTEN PERMISSION AND CONSENT.

**WEAVER**  
**HOMES**  
350 Wagoner Drive • Fayetteville, NC 28303  
910.690.2190 • 800.892.2190  
www.weaver-homes.com

PRICES, PROMOTIONS, INCENTIVES, FEATURES, OPTIONS, FLOOR PLANS, ELEVATIONS, DESIGNS, MATERIALS AND DIMENSIONS ARE SUBJECT TO CHANGE WITHOUT NOTICE. SQUARE FOOTAGE AND DIMENSIONS ARE ESTIMATED AND HOUSE QUALITY WILL BE DETERMINED BY THE SITE PLAN AND PLOT PLAN. FLOOR PLANS AND ELEVATION RENDERINGS ARE ARTIST CONCEPTIONS. FLOOR PLANS ARE THE COPYRIGHTED PROPERTY OF WEAVER HOMES. NO REPRODUCTION, PHOTOCOPYING, OR ANY OTHER FORM OF REPRODUCTION IS PROHIBITED. SEE NEW HOME SALES CONSULTANT FOR CURRENT DETAILS. COPYRIGHT © 2020 WEAVER HOMES

**WEAVER HOMES**  
**CAROLINA COLLECTION**  
**HICKORY DRIVE LEFT**

DATE: AUGUST 25, 2020

REV.:

SCALE: 1/4" = 1'-0"

DRAWN BY: WG

ENGINEERED BY:

REVIEWED BY:

ATTIC FLOOR  
FRAMING PLAN

S-3

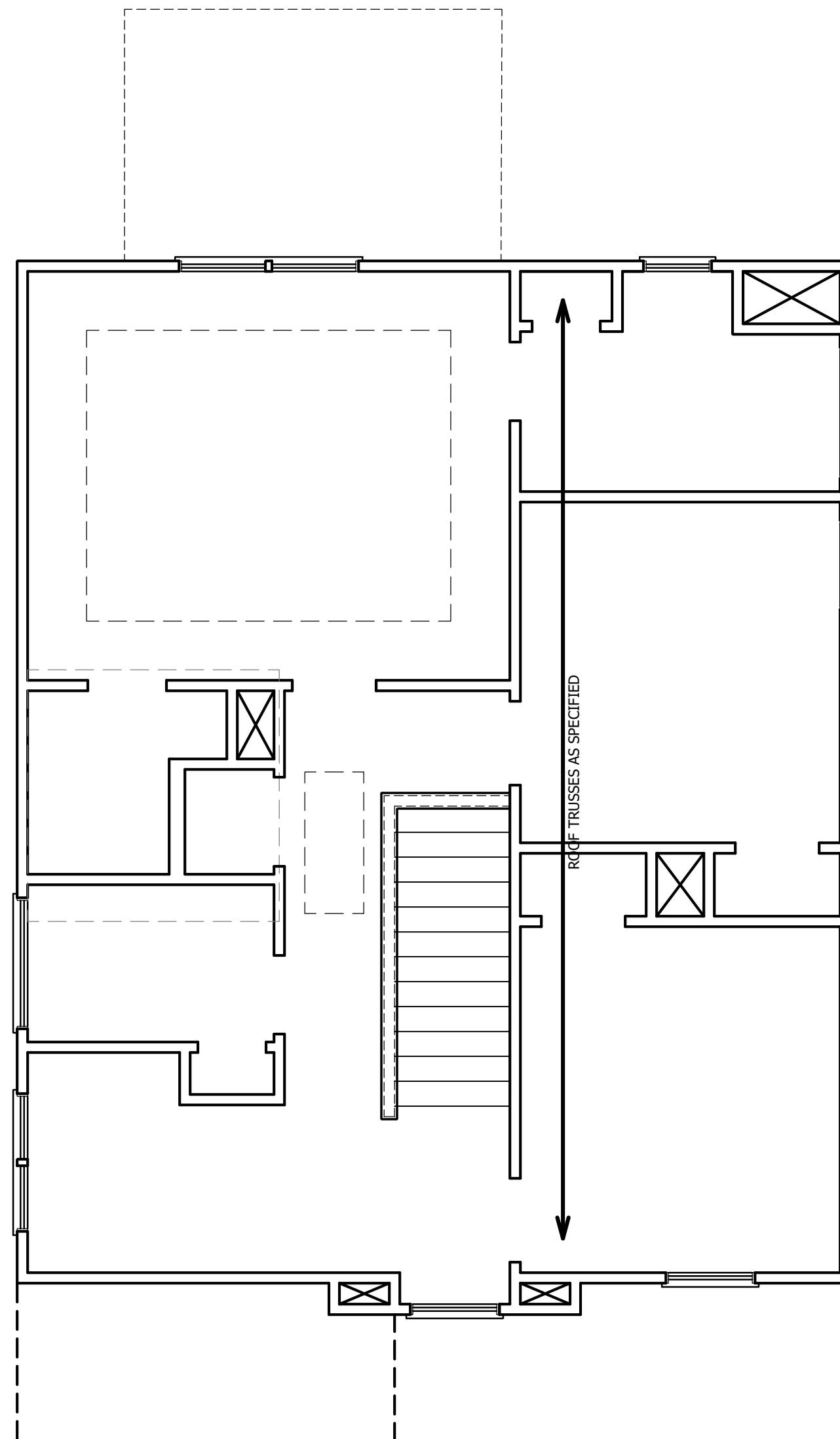
TABLE R602.7.5  
MINIMUM NUMBER OF FULL HEIGHT STUDS  
AT EACH END OF HEADERS IN EXTERIOR WALLS

HEADER SPAN (FEET)	MAXIMUM STUD SPACING (INCHES) (PER TABLE R602.3(5))	
	16	24
UP TO 3'	1	1
4'	2	1
8'	3	2
12'	5	3
16'	6	4

**STRUCTURAL NOTES:**

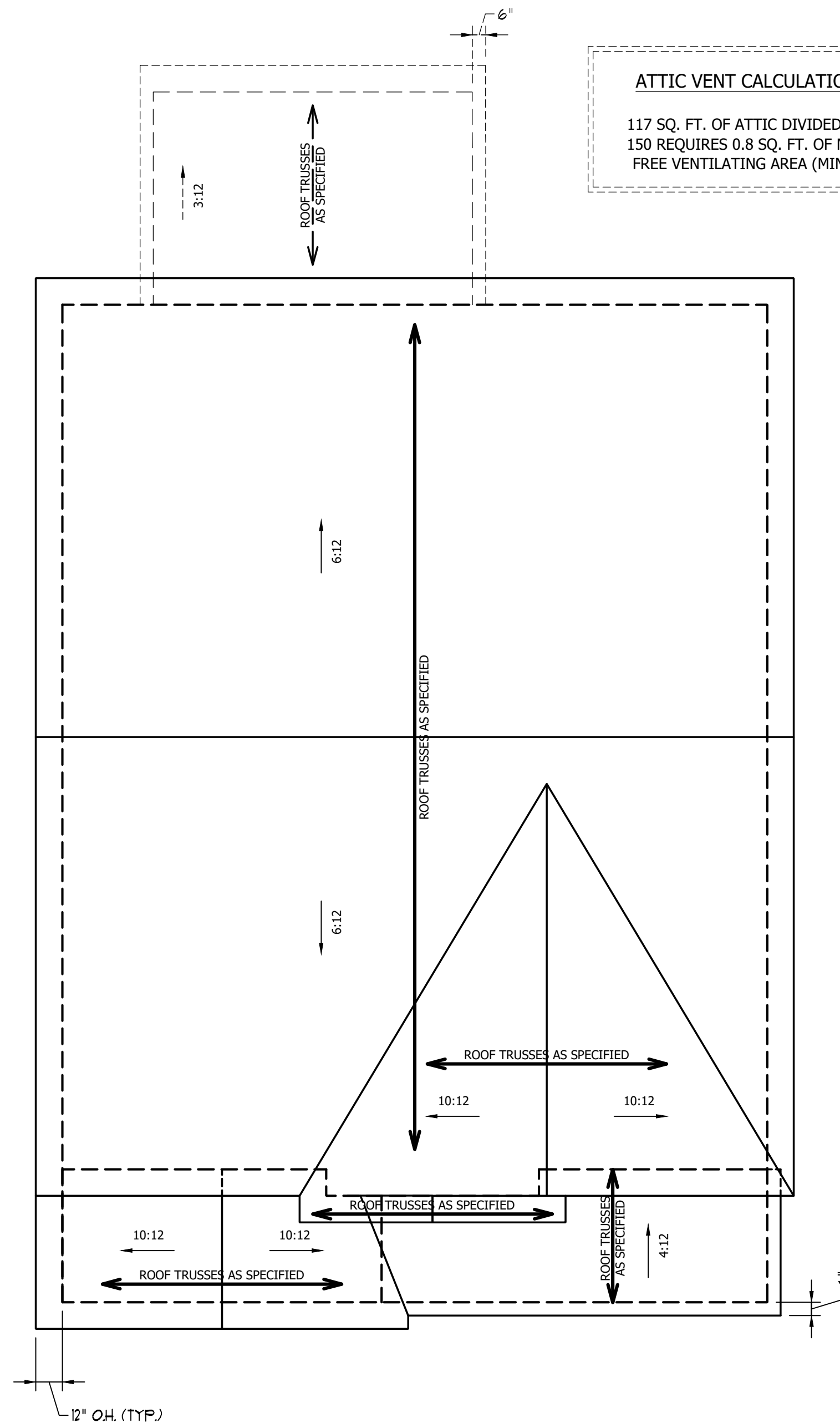
1. ALL FRAMING LUMBER TO BE SPF #2 (UNO). ALL TREATED LUMBER TO BE SYP #2 (UNO).
2. ALL LOAD BEARING HEADERS TO BE (2) 2 x 6 (UNO).
3. WINDOW AND DOOR HEADERS TO BE SUPPORTED w/ (1) JACK STUD AND (1) KING STUD EA. END (UNO.). SEE TABLE R602.7.5 FOR ADDITIONAL KING STUD REQUIREMENTS.
4. SQUARES DENOTE POINT LOADS WHICH REQUIRE SOLID BLOCKING TO GIRDER OR FOUNDATION. ALL SQUARES TO BE (2) STUDS (UNO.)

DSP - DOUBLE STUD POCKET  
TSP - TRIPLE STUD POCKET



SCALE NOTE: 18x24 PRINTS ARE TO SCALE AS NOTED.  
11x17 PRINTS ARE NOT TO SCALE



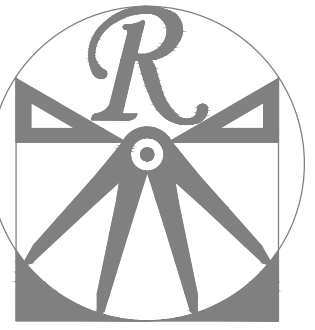


**ATTIC VENT CALCULATION:**  
 117 SQ. FT. OF ATTIC DIVIDED BY 150 REQUIRES 0.8 SQ. FT. OF NET FREE VENTILATING AREA (MIN.).

**ATTIC VENT CALCULATION:**  
 1116 SQ. FT. OF ATTIC DIVIDED BY 150 REQUIRES 7.4 SQ. FT. OF NET FREE VENTILATING AREA (MIN.).

**ATTIC VENT CALCULATION:**  
 1040 SQ. FT. OF ATTIC DIVIDED BY 150 REQUIRES 6.9 SQ. FT. OF NET FREE VENTILATING AREA (MIN.).

- STRUCTURAL NOTES:**
- ALL FRAMING LUMBER TO BE #2 SPF (UNO).
  - HIP SPLICES ARE TO BE SPACED A MIN. OF 8'-0". FASTEN MEMBERS WITH THREE ROWS OF 12d NAILS @ 16" O.C. (TYP.)
  - STICK FRAME OVER-FRAMED ROOF SECTIONS W/ 2 x 8 RIDGES, 2 x 6 RAFTERS @ 16" O.C. AND FLAT 2 x 10 VALLEYS OR USE VALLEY TRUSSES.
  - FASTEN FLAT VALLEYS TO RAFTERS OR TRUSSES WITH SIMPSON H2.5A HURRICANE TIES @ 32" O.C. MAX. PASS HURRICANE TIES THROUGH NOTCH IN ROOF SHEATHING. EACH RAFTER IS TO BE FASTENED TO THE FLAT VALLEY WITH A MIN. OF (6) 12d TOE NAILS.
  - REFER TO SECTION R802.11 OF THE 2018 NCR FOR REQUIRED UPLIFT RESISTANCE AT RAFTERS AND TRUSSES.



**RENAISSANCE**  
 RESIDENTIAL DESIGN, INC.  
 RALEIGH, NC 27612  
 (919) 648-4128  
 WWW.RRDCAROLINA.COM

The art of transforming your vision into reality.

RENAISSANCE RESIDENTIAL DESIGN, INC. RESERVES THE RIGHT TO MAKE MODIFICATIONS TO FLOOR PLANS, DIMENSIONS, MATERIALS, AND SPECIFICATIONS WITHOUT NOTICE. THESE DRAWINGS ARE FOR THE PURPOSE OF CONVEYING AN ARCHITECTURAL CONCEPT ONLY.

RENAISSANCE RESIDENTIAL DESIGN, INC. HEREBY EXPRESSLY RESERVES ITS COMMON LAW COPYRIGHT AND OTHER PROPERTY RIGHTS IN THESE PLANS. THESE PLANS AND DRAWINGS ARE NOT TO BE REPRODUCED, CHANGED, OR COPIED IN ANY FORM OR MANNER WITHOUT FIRST OBTAINING THE EXPRESS WRITTEN CONSENT OF RENAISSANCE RESIDENTIAL DESIGN, INC. NOR ARE THEY TO BE ASSIGNED TO ANY THIRD PARTY WITHOUT FIRST OBTAINING SAID WRITTEN PERMISSION AND CONSENT.

**WEAVER HOMES**  
 350 Wagoner Drive • Fayetteville, NC 28303  
 910.690.2190 • 800.892.2190  
 www.weaver-homes.com

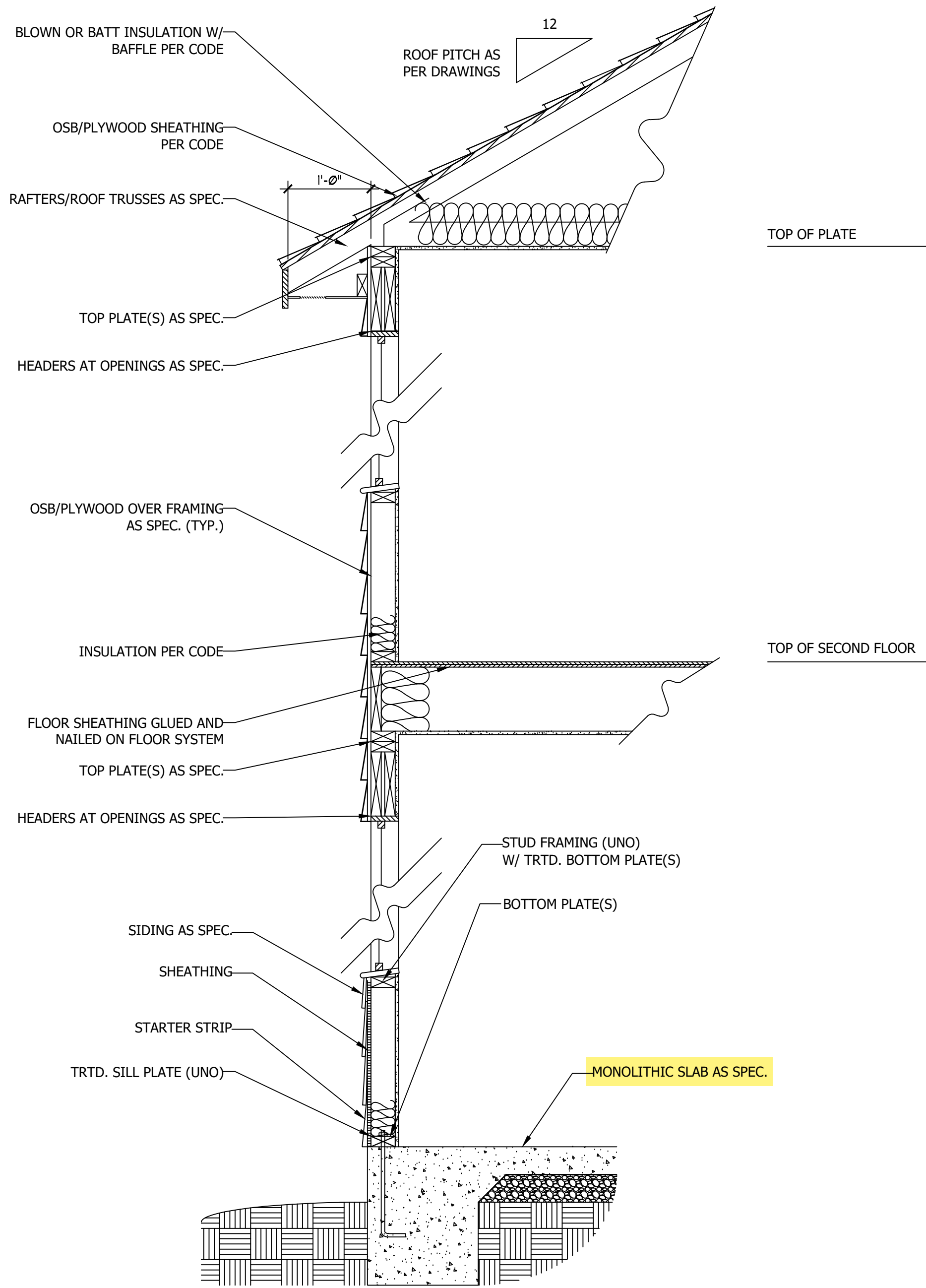
PRICES, PROMOTIONS, INCENTIVES, FEATURES, OPTIONS, FLOOR PLANS, ELEVATIONS, DESIGNS, MATERIALS AND DIMENSIONS ARE SUBJECT TO CHANGE WITHOUT NOTICE. SQUARE FOOTAGE AND DIMENSIONS ARE ESTIMATED AND NOT GUARANTEED. HOUSE QUALITY WILL BE DETERMINED BY THE SITE PLAN AND PLOT PLAN. FLOOR PLANS AND ELEVATION RENDERINGS ARE ARTIST CONCEPTIONS. FLOOR PLANS ARE THE COPYRIGHTED PROPERTY OF WEAVER HOMES. NO REPRODUCTION, PHOTOCOPYING, OR ANY OTHER FORM OF REPRODUCTION IS PROHIBITED. SEE NEW HOME SALES CONSULTANT FOR CURRENT DETAILS. COPYRIGHT © 2020 WEAVER HOMES

**WEAVER HOMES**  
 CAROLINA COLLECTION  
 HICKORY DRIVE LEFT

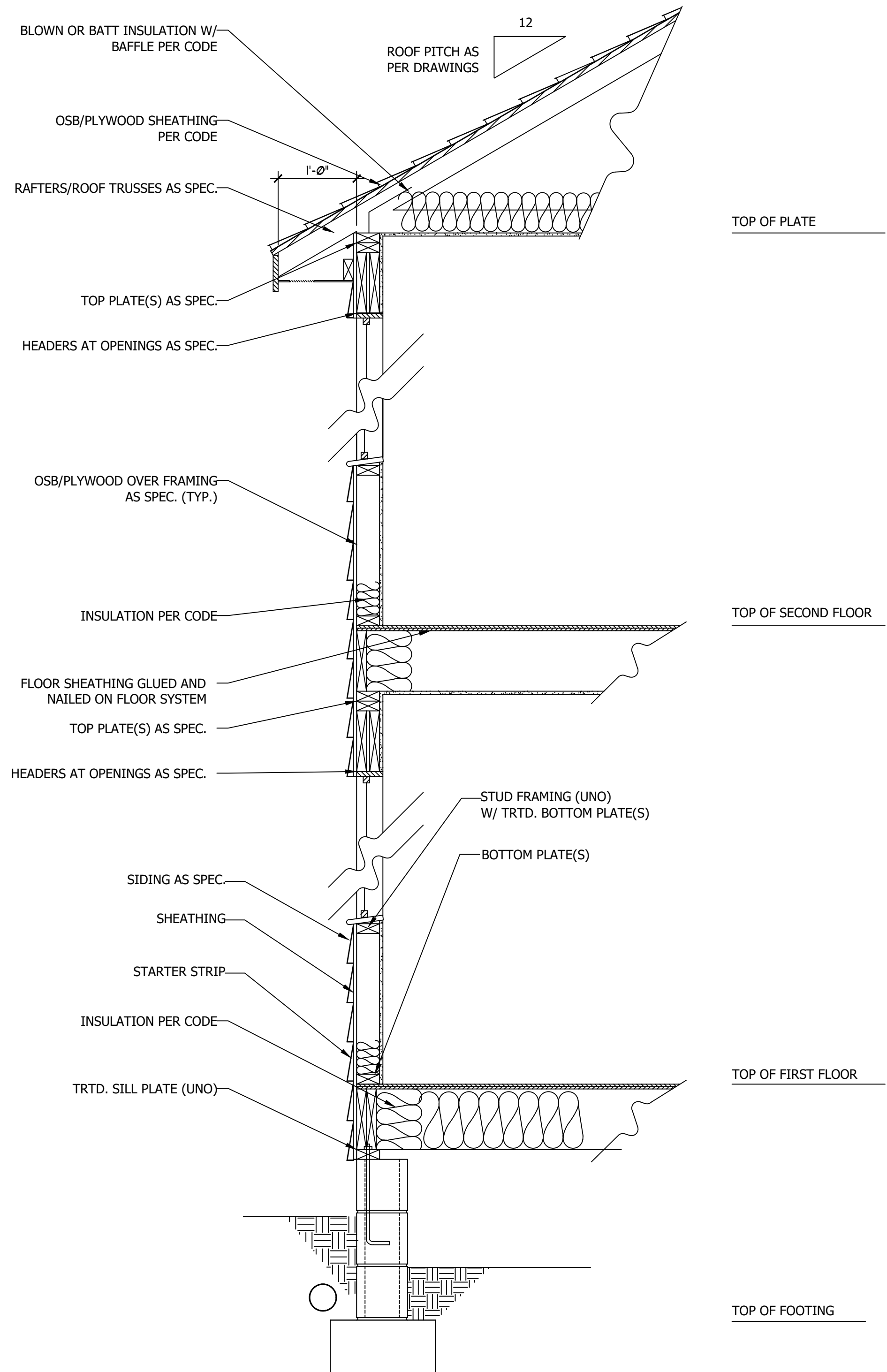
DATE: AUGUST 25, 2020  
 REV.:  
 SCALE: 1/4" = 1'-0"  
 DRAWN BY: WG  
 ENGINEERED BY:  
 REVIEWED BY:

ROOF PLAN  
**S-4**

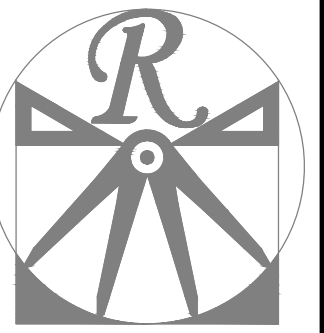
SCALE NOTE: 18x24 PRINTS ARE TO SCALE AS NOTED.  
**11x17 PRINTS ARE NOT TO SCALE**



**WALL SECTION W/ SLAB  
W/ STD. SIDING SHOWN (NTS)**



**WALL SECTION W/ CRAWL SPACE  
W/ STD. SIDING SHOWN (NTS)**



**RENAISSANCE**  
RESIDENTIAL DESIGN, INC.

RALEIGH, NC 27612  
(919) 648-4128  
WWW.RRDCAROLINA.COM

The art of transforming your vision into reality.

RENAISSANCE RESIDENTIAL DESIGN, INC. RESERVES THE RIGHT TO MAKE MODIFICATIONS TO FLOOR PLANS, DIMENSIONS, MATERIALS, AND SPECIFICATIONS WITHOUT NOTICE. THESE DRAWINGS ARE FOR THE PURPOSE OF CONVEYING AN ARCHITECTURAL CONCEPT ONLY.

RENAISSANCE RESIDENTIAL DESIGN, INC. HEREBY EXPRESSLY RESERVES ITS COMMON LAW COPYRIGHT AND OTHER PROPERTY RIGHTS IN THESE PLANS. THESE PLANS AND DRAWINGS ARE NOT TO BE REPRODUCED, CHANGED, OR COPIED IN ANY FORM OR MANNER WITHOUT FIRST OBTAINING THE EXPRESS WRITTEN CONSENT OF RENAISSANCE RESIDENTIAL DESIGN, INC. NOR ARE THEY TO BE ASSIGNED TO ANY THIRD PARTY WITHOUT FIRST OBTAINING SAID WRITTEN PERMISSION AND CONSENT.

**WEAVER**  
**HOMES**  
350 Waggoner Drive • Fayetteville, NC 28303  
910.690.2100 • 800.892.2190  
www.weaver-homes.com

PRICE PROMOTIONS, INCENTIVES, FEATURES, OPTIONS, FLOOR PLANS, ELEVATIONS, DESIGNS, MATERIALS AND DIMENSIONS ARE SUBJECT TO CHANGE WITHOUT NOTICE. SQUARE FOOTAGE AND DIMENSIONS ARE ESTIMATED AND HOUSE QUALITY WILL BE DETERMINED BY THE SITE PLAN AND PLOT PLAN. FLOOR PLANS AND ELEVATION RENDERINGS ARE ARTIST CONCEPTIONS. FLOOR PLANS ARE THE COPYRIGHTED PROPERTY OF WEAVER HOMES. ALL RIGHTS ARE RESERVED. PROHIBITED. SEE NEW HOME SALES CONSULTANT FOR CURRENT DETAILS. COPYRIGHT © 2020 WEAVER HOMES

**WEAVER HOMES**  
**CAROLINA COLLECTION**  
**HICKORY DRIVE LEFT**

DATE: AUGUST 25, 2020

REV.:

SCALE: 1/4" = 1'-0"

DRAWN BY: WG

ENGINEERED BY:

REVIEWED BY:

TYPICAL WALL SECTIONS

D-1



**ROOF & FLOOR TRUSSES & BEAMS**

Reilly Road Industrial Park  
Fayetteville, N.C. 28309  
Phone: (910) 864-8787  
Fax: (910) 864-4444

Bearing reactions less than or equal to 3000# are deemed to comply with the prescriptive Code requirements. The contractor shall refer to the attached Tables ( derived from the prescriptive Code requirements ) to determine the minimum foundation size and number of wood studs required to support reactions greater than 3000# but not greater than 15000#. A registered design professional shall be retained to design the support system for any reaction that exceeds those specified in the attached Tables. A registered design professional shall be retained to design the support system for all reactions that exceed 15000#.

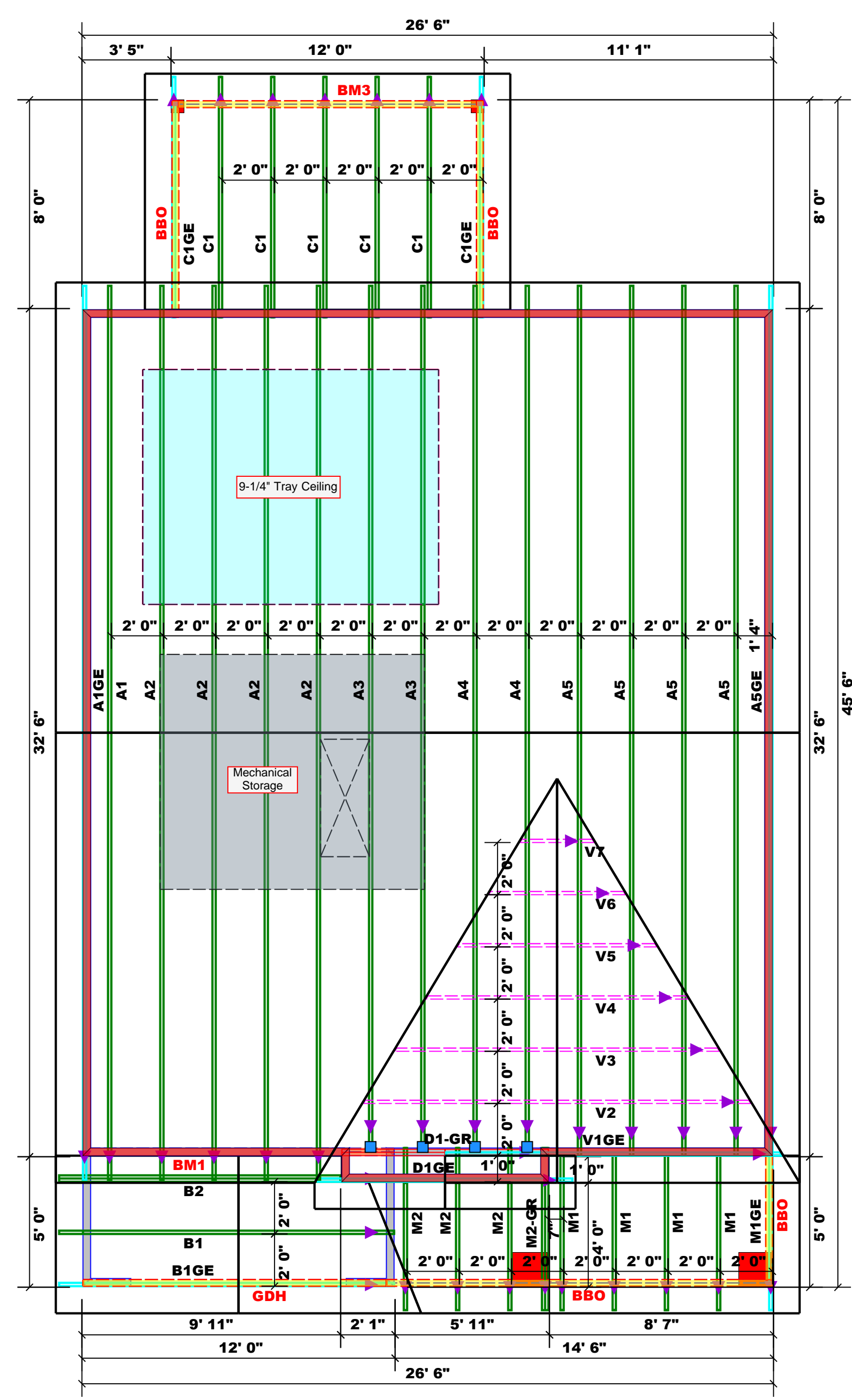
Signature David Landry  
**David Landry**

**LOAD CHART FOR JACK STUDS**

(BASED ON TABLES R502.5(1) & (b))

NUMBER OF JACK STUDS REQUIRED @ EA END OF HEADER/GIRDER

END REACTION (UP TO)	REQ. D. STUDS FOR (1) 1/2" HEADER	END REACTION (UP TO)	REQ. D. STUDS FOR (1) 1/2" HEADER	END REACTION (UP TO)	REQ. D. STUDS FOR (1) 1/2" HEADER
1700	1	2550	1	3400	1
3400	2	5100	2	6800	2
5100	3	7650	3	10200	3
6800	4	10200	4	13600	4
8500	5	12750	5	17000	5
10200	6	15300	6		
11900	7				
13600	8				
15300	9				



**Dimension Notes**

- All exterior wall to wall dimensions are to face of sheathing unless noted otherwise
- All interior wall dimensions are to face of frame wall unless noted otherwise
- All exterior wall to truss dimensions are to face of frame wall unless noted otherwise

**All Walls Shown Are Considered Load Bearing**

Roof Area = 1468.1 sq.ft.  
Ridge Line = 52.07 ft.  
Hip Line = 0 ft.  
Horiz. OH = 98.57 ft.  
Raked OH = 159.04 ft.  
Decking = 50 sheets

**Hatch Legend**

[Grey Hatch]	Padded HVAC
[Red Hatch]	2nd Floor Walls
[Light Blue Hatch]	Tray Ceiling
[Yellow Hatch]	Drop Beam

Connector Information					Nail Information	
Sym	Product	Manuf	Qty	Supported Member	Header	Truss
[Blue Box]	HUS26	USP	4	NA	16d/3-1/2"	16d/3-1/2"

**Products**

PlotID	Length	Product	Plies	Net Qty
BM1	12' 0"	1-3/4"x 16" LVL Kerto-S	2	2
BM2	15' 0"	1-3/4"x 16" LVL Kerto-S	2	2
BM3	12' 0"	2x10 SPF No.2	2	2
GDH	12' 0"	2x12 SPF No.2	2	2

**1 Truss Placement Plan**  
Scale: 1/4"=1'

BUILDER	JOB NAME	PLAN	SEAL DATE	QUOTE #	JOB #	CITY / CO.	ADDRESS	MODEL	DATE REV.	DRAWN BY	SALES REP.
Weaver Homes, Inc.	Lot 2 Maple Hill	Hickory "C" / GLF, CP	N/A		J1124-6266	Lillington / Harnett	4214 Darrach Rd.	Roof	12/05/24	David Landry	Lenny Norris

**THIS IS A TRUSS PLACEMENT DIAGRAM ONLY.**  
These trusses are designed as individual building components to be incorporated into the building design at the specification of the building designer. See individual design sheets for each truss design identified on the placement drawing. The building designer is responsible for temporary and permanent bracing of the roof and floor system and for the overall structure. The design of the truss support structure including headers, beams, walls, and columns is the responsibility of the building designer. For general guidance regarding bracing, consult BCSI-B1 and BCSI-B3 provided with the truss delivery package or online @ sbcindustry.com

**▲ = Indicates Left End of Truss**  
**( Reference Engineered Truss Drawing )**  
**Do NOT Erect Truss Backwards**



# ROOF & FLOOR TRUSSES & BEAMS

Reilly Road Industrial Park  
 Fayetteville, N.C. 28309  
 Phone: (910) 864-8787  
 Fax: (910) 864-4444

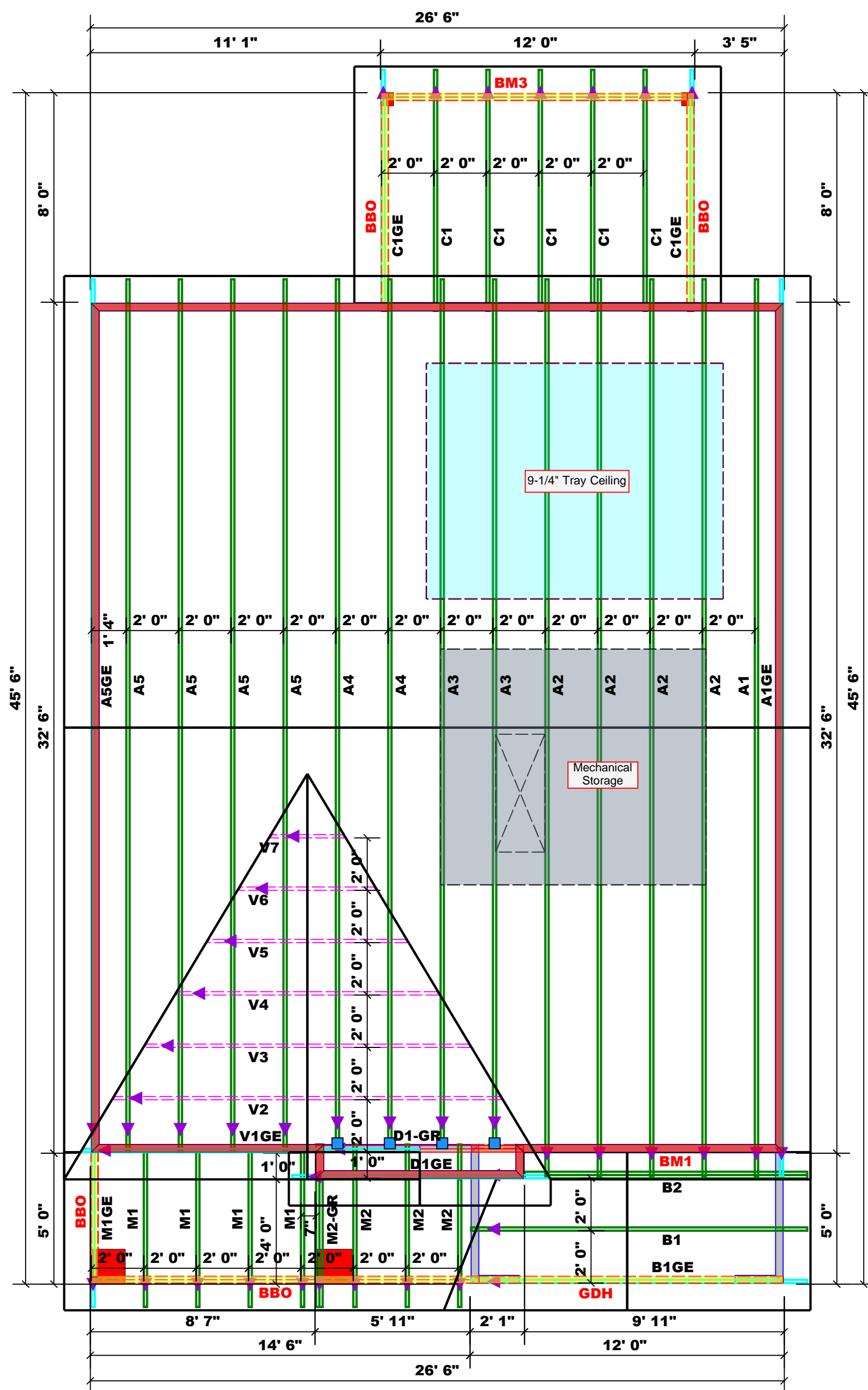
Bearing reactions less than or equal to 3000# are deemed to comply with the prescriptive Code requirements. The contractor shall refer to the attached Tables ( derived from the prescriptive Code requirements ) to determine the minimum foundation size and number of wood studs required to support reactions greater than 3000# but not greater than 15000#. A registered design professional shall be retained to design the support system for any reaction that exceeds those specified in the attached Tables. A registered design professional shall be retained to design the support system for all reactions that exceed 15000#.

Signature David Landry  
 David Landry

### LOAD CHART FOR JACK STUDS

(BASED ON TABLES R502.5(1) & (b))

NUMBER OF JACK STUDS REQUIRED @ EA END OF HEADER/GIRDER		
END REACTION (UP TO)	REQ. D. STUDS FOR (1) 1" X 4" HEADER	REQ. D. STUDS FOR (1) 1" X 6" HEADER
1700	1	1
3400	2	2
5100	3	3
6800	4	4
8500	5	5
10200	6	6
11900	7	
13600	8	
15300	9	



**Dimension Notes**

- All exterior wall to wall dimensions are to face of sheathing unless noted otherwise.
- All interior wall dimensions are to face of frame wall unless noted otherwise.
- All exterior wall to truss dimensions are to face of frame wall unless noted otherwise.

**All Walls Shown Are Considered Load Bearing**

Roof Area = 1468.1 sq.ft.  
 Ridge Line = 52.07 ft.  
 Hip Line = 0 ft.  
 Horiz. OH = 98.57 ft.  
 Raked OH = 159.04 ft.  
 Decking = 50 sheets

**Hatch Legend**

[Grey Hatch]	Padded HVAC
[Red Hatch]	2nd Floor Walls
[Light Blue Hatch]	Tray Ceiling
[Yellow Hatch]	Drop Beam

Connector Information					Nail Information	
Sym	Product	Manuf	Qty	Supported Member	Header	Truss
[Blue Box]	HUS26	USP	4	NA	16d/3-1/2"	16d/3-1/2"

**Products**

PlotID	Length	Product	Plies	Net Qty
BM1	12' 0"	1-3/4"x 16" LVL Kerto-S	2	2
BM2	15' 0"	1-3/4"x 16" LVL Kerto-S	2	2
BM3	12' 0"	2x10 SPF No.2	2	2
GDH	12' 0"	2x12 SPF No.2	2	2

1 Truss Placement Plan  
 Scale: 1/4"=1'

BUILDER	JOB NAME	PLAN	SEAL DATE	QUOTE #	JOB #	CITY / CO.	ADDRESS	MODEL	DATE REV.	DRAWN BY	SALES REP.
Weaver Homes, Inc.	Lot 2 Maple Hill	Hickory "C" / GLF, CP	N/A		J1124-6266	Lillington / Harnett	4214 Darroch Rd.	Roof	12/05/24	David Landry	Lenny Norris

THIS IS A TRUSS PLACEMENT DIAGRAM ONLY. These trusses are designed as individual building components to be incorporated into the building design at the specification of the building designer. See individual design sheets for each truss design identified on the placement drawing. The building designer is responsible for temporary and permanent bracing of the roof and floor system and for the overall structure. The design of the truss support structure including headers, beams, walls, and columns is the responsibility of the building designer. For general guidance regarding bracing, consult BCSI-B1 and BCSI-B3 provided with the truss delivery package or online @ sbcindustry.com

**▲ = Indicates Left End of Truss**  
**(Reference Engineered Truss Drawing)**  
**Do NOT Erect Truss Backwards**

Trenco  
818 Soundside Rd  
Edenton, NC 27932

Re: J1124-6266  
Lot 2 Maple Hill

The truss drawing(s) referenced below have been prepared by Truss Engineering Co. under my direct supervision based on the parameters provided by Comtech, Inc - Fayetteville.

Pages or sheets covered by this seal: I70024549 thru I70024573

My license renewal date for the state of North Carolina is December 31, 2024.

North Carolina COA: C-0844



December 6, 2024

Gilbert, Eric

**IMPORTANT NOTE:** The seal on these truss component designs is a certification that the engineer named is licensed in the jurisdiction(s) identified and that the designs comply with ANSI/TPI 1. These designs are based upon parameters shown (e.g., loads, supports, dimensions, shapes and design codes), which were given to MiTek or TRENCO. Any project specific information included is for MiTek's or TRENCO's customers file reference purpose only, and was not taken into account in the preparation of these designs. MiTek or TRENCO has not independently verified the applicability of the design parameters or the designs for any particular building. Before use, the building designer should verify applicability of design parameters and properly incorporate these designs into the overall building design per ANSI/TPI 1, Chapter 2.

Job J1124-6266	Truss A1	Truss Type COMMON	Qty 1	Ply 1	Lot 2 Maple Hill	170024549
-------------------	-------------	----------------------	----------	----------	------------------	-----------

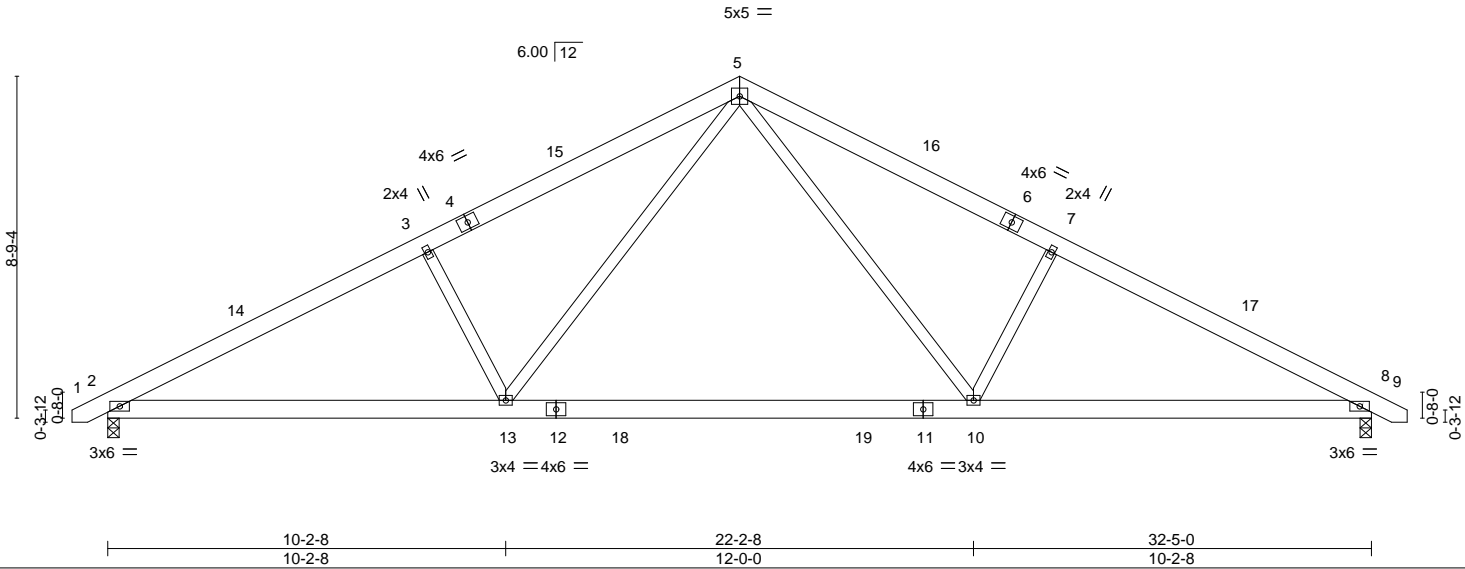
Comtech, Inc. Fayetteville, NC - 28314,

8.530 s Aug 2 2023 MiTek Industries, Inc. Thu Dec 5 16:11:43 2024 Page 1

ID:1yUksKypmk2404ufZYCrxyoKUD-0XUYcm3bPfqCiTaQwk84tflHp\_?XRwrQRTN?tkyBz7U

0-11-0	8-2-8	16-2-8	24-2-8	32-5-0	33-4-0
0-11-0	8-2-8	8-0-0	8-0-0	8-2-8	0-11-0

Scale = 1:59.1



<b>LOADING</b> (psf)	<b>SPACING-</b>	2-0-0	<b>CSI.</b>	<b>DEFL.</b>	in (loc)	l/defl	L/d	<b>PLATES</b>	<b>GRIP</b>
TCLL 20.0	Plate Grip DOL	1.15	TC 0.28	Vert(LL)	-0.34 10-13	>999	360	MT20	244/190
TCDL 10.0	Lumber DOL	1.15	BC 0.64	Vert(CT)	-0.47 10-13	>824	240		
BCLL 0.0 *	Rep Stress Incr	YES	WB 0.27	Horz(CT)	0.05 8	n/a	n/a		
BCDL 10.0	Code IRC2015/TPI2014		Matrix-S	Wind(LL)	0.05 2-13	>999	240		
								Weight: 208 lb	FT = 20%

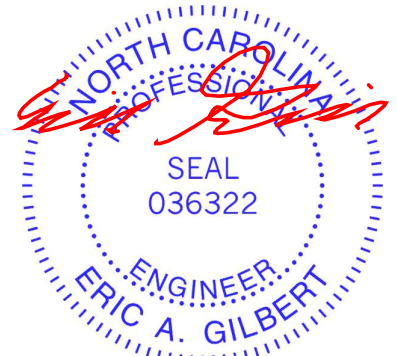
**LUMBER-**  
 TOP CHORD 2x6 SP No.1  
 BOT CHORD 2x6 SP No.1  
 WEBS 2x4 SP No.2

**BRACING-**  
 TOP CHORD Structural wood sheathing directly applied or 4-11-7 oc purlins.  
 BOT CHORD Rigid ceiling directly applied or 10-0-0 oc bracing.

**REACTIONS.** (size) 2=0-3-8, 8=0-3-8  
 Max Horz 2=-110(LC 10)  
 Max Uplift 2=-89(LC 12), 8=-89(LC 13)  
 Max Grav 2=1337(LC 1), 8=1337(LC 1)

**FORCES.** (lb) - Max. Comp./Max. Ten. - All forces 250 (lb) or less except when shown.  
 TOP CHORD 2-3=-2307/486, 3-5=-2125/534, 5-7=-2125/534, 7-8=-2307/486  
 BOT CHORD 2-13=-316/2007, 10-13=-106/1303, 8-10=-320/1964  
 WEBS 5-10=-147/921, 7-10=-454/288, 5-13=-147/921, 3-13=-454/288

- NOTES-**
- 1) Unbalanced roof live loads have been considered for this design.
  - 2) Wind: ASCE 7-10; Vult=130mph Vasd=103mph; TCCL=6.0psf; BCDL=6.0psf; h=15ft; Cat. II; Exp C; Enclosed; MWFRS (envelope) and C-C Exterior(2) -0-8-10 to 3-8-3, Interior(1) 3-8-3 to 16-2-8, Exterior(2) 16-2-8 to 20-7-5, Interior(1) 20-7-5 to 33-1-10 zone; C-C for members and forces & MWFRS for reactions shown; Lumber DOL=1.60 plate grip DOL=1.60
  - 3) This truss has been designed for a 10.0 psf bottom chord live load nonconcurrent with any other live loads.
  - 4) \* This truss has been designed for a live load of 30.0psf on the bottom chord in all areas where a rectangle 3-6-0 tall by 2-0-0 wide will fit between the bottom chord and any other members, with BCDL = 10.0psf.
  - 5) Provide mechanical connection (by others) of truss to bearing plate capable of withstanding 89 lb uplift at joint 2 and 89 lb uplift at joint 8.
  - 6) See Standard Industry Piggyback Truss Connection Detail for Connection to base truss as applicable, or consult qualified building designer.



December 6, 2024

**WARNING - Verify design parameters and READ NOTES ON THIS AND INCLUDED MITEK REFERENCE PAGE MII-7473 rev. 1/2/2023 BEFORE USE.**

Design valid for use only with MiTek® connectors. This design is based only upon parameters shown, and is for an individual building component, not a truss system. Before use, the building designer must verify the applicability of design parameters and properly incorporate this design into the overall building design. Bracing indicated is to prevent buckling of individual truss web and/or chord members only. Additional temporary and permanent bracing is always required for stability and to prevent collapse with possible personal injury and property damage. For general guidance regarding the fabrication, storage, delivery, erection and bracing of trusses and truss systems, see **ANSI/TPH Quality Criteria and DSB-22** available from Truss Plate Institute (www.tpinst.org) and **BCSI Building Component Safety Information** available from the Structural Building Component Association (www.sbcacomponents.com)



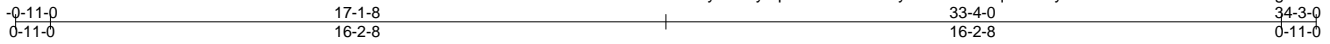
818 Soundside Road  
 Edenton, NC 27932

Job J1124-6266	Truss A1GE	Truss Type COMMON SUPPORTED GAB	Qty 1	Ply 1	Lot 2 Maple Hill Job Reference (optional)	170024550
-------------------	---------------	------------------------------------	----------	----------	--	-----------

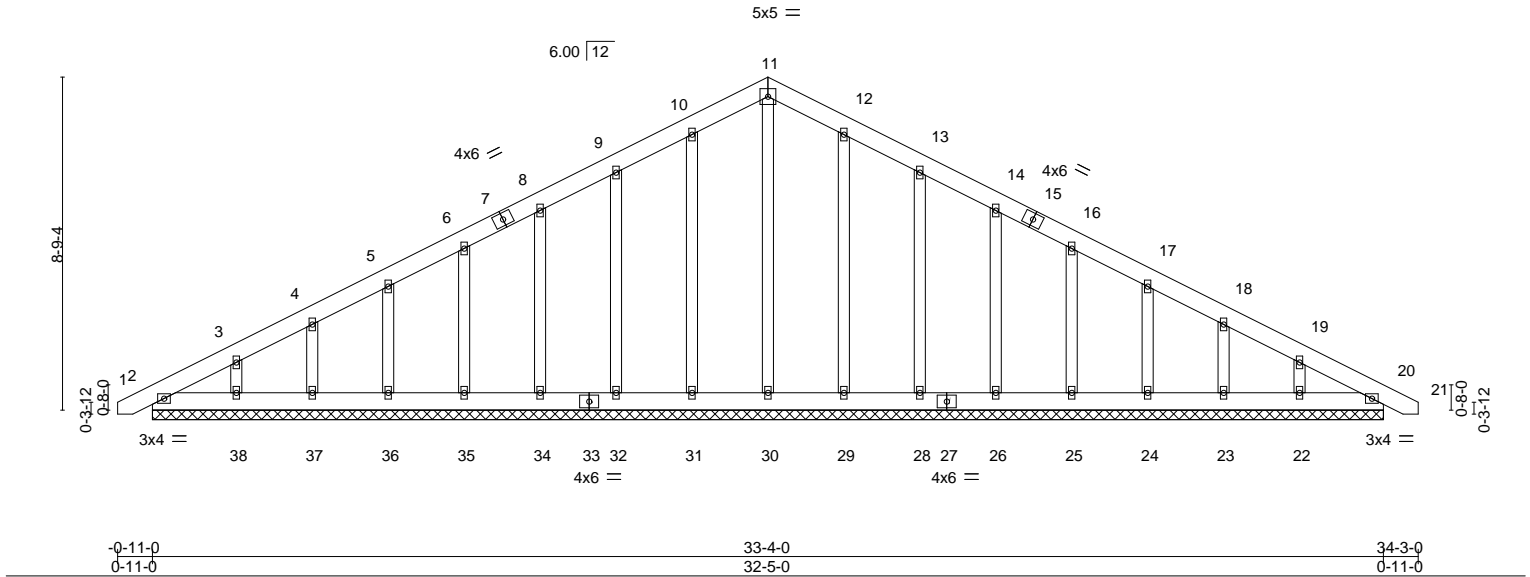
Comtech, Inc. Fayetteville, NC - 28314,

8.530 s Aug 2 2023 MiTek Industries, Inc. Thu Dec 5 16:11:44 2024 Page 1

ID:1yUksKymplk2404ufZYCrxyoKUD-sk2wq64DAzy3Kd91USfJQsrWLNvZAPnZg77ZPByBz7T



Scale = 1:60.7



<b>LOADING</b> (psf)	<b>SPACING-</b>	2-0-0	<b>CSI.</b>	<b>DEFL.</b>	in (loc)	l/defl	L/d	<b>PLATES</b>	<b>GRIP</b>
TCLL 20.0	Plate Grip DOL	1.15	TC 0.04	Vert(LL)	0.00	20	n/r	MT20	244/190
TCDL 10.0	Lumber DOL	1.15	BC 0.02	Vert(CT)	0.00	20	n/r		
BCLL 0.0 *	Rep Stress Incr	YES	WB 0.16	Horz(CT)	0.00	20	n/a		
BCDL 10.0	Code IRC2015/TPI2014		Matrix-S						
								Weight: 258 lb	FT = 20%

<b>LUMBER-</b>	<b>BRACING-</b>
TOP CHORD 2x6 SP No.1	TOP CHORD Structural wood sheathing directly applied or 6-0-0 oc purlins.
BOT CHORD 2x6 SP No.1	BOT CHORD Rigid ceiling directly applied or 10-0-0 oc bracing.
OTHERS 2x4 SP No.2	

**REACTIONS.** All bearings 32-5-0.  
 (lb) - Max Horz 2=-171(LC 17)  
 Max Uplift All uplift 100 lb or less at joint(s) 2, 31, 32, 34, 35, 36, 37, 38, 29, 28, 26, 25, 24, 23, 22  
 Max Grav All reactions 250 lb or less at joint(s) 2, 30, 31, 32, 34, 35, 36, 37, 38, 29, 28, 26, 25, 24, 23, 22, 20

**FORCES.** (lb) - Max. Comp./Max. Ten. - All forces 250 (lb) or less except when shown.  
 TOP CHORD 10-11=-114/284, 11-12=-114/284

- NOTES-**
- 1) Unbalanced roof live loads have been considered for this design.
  - 2) Wind: ASCE 7-10; Vult=130mph Vasd=103mph; TC DL=6.0psf; BCDL=6.0psf; h=15ft; Cat. II; Exp C; Enclosed; MWFRS (envelope) gable end zone and C-C Exterior(2) zone; C-C for members and forces & MWFRS for reactions shown; Lumber DOL=1.60 plate grip DOL=1.60
  - 3) Truss designed for wind loads in the plane of the truss only. For studs exposed to wind (normal to the face), see Standard Industry Gable End Details as applicable, or consult qualified building designer as per ANSI/TPI 1.
  - 4) All plates are 2x4 MT20 unless otherwise indicated.
  - 5) Gable requires continuous bottom chord bearing.
  - 6) Gable studs spaced at 2-0-0 oc.
  - 7) This truss has been designed for a 10.0 psf bottom chord live load nonconcurrent with any other live loads.
  - 8) \* This truss has been designed for a live load of 30.0psf on the bottom chord in all areas where a rectangle 3-6-0 tall by 2-0-0 wide will fit between the bottom chord and any other members.
  - 9) Provide mechanical connection (by others) of truss to bearing plate capable of withstanding 100 lb uplift at joint(s) 2, 31, 32, 34, 35, 36, 37, 38, 29, 28, 26, 25, 24, 23, 22.
  - 10) See Standard Industry Piggyback Truss Connection Detail for Connection to base truss as applicable, or consult qualified building designer.



December 6, 2024



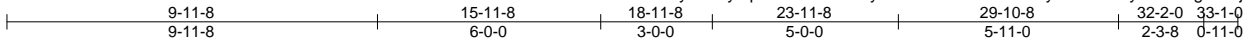


Job	Truss	Truss Type	Qty	Ply	Lot 2 Maple Hill	170024552
J1124-6266	A3	ROOF SPECIAL	2	1		

Comtech, Inc. Fayetteville, NC - 28314,

8.530 s Aug 2 2023 MiTek Industries, Inc. Thu Dec 5 16:11:45 2024 Page 1

ID:1yUksKymplk2404ufZYCrxyoKUD-Kwcl1S5rwH4wymkD29AYy4NWungkvkXjuns6xdyBz7S



Scale = 1:61.9

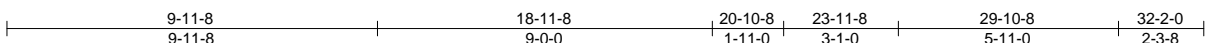
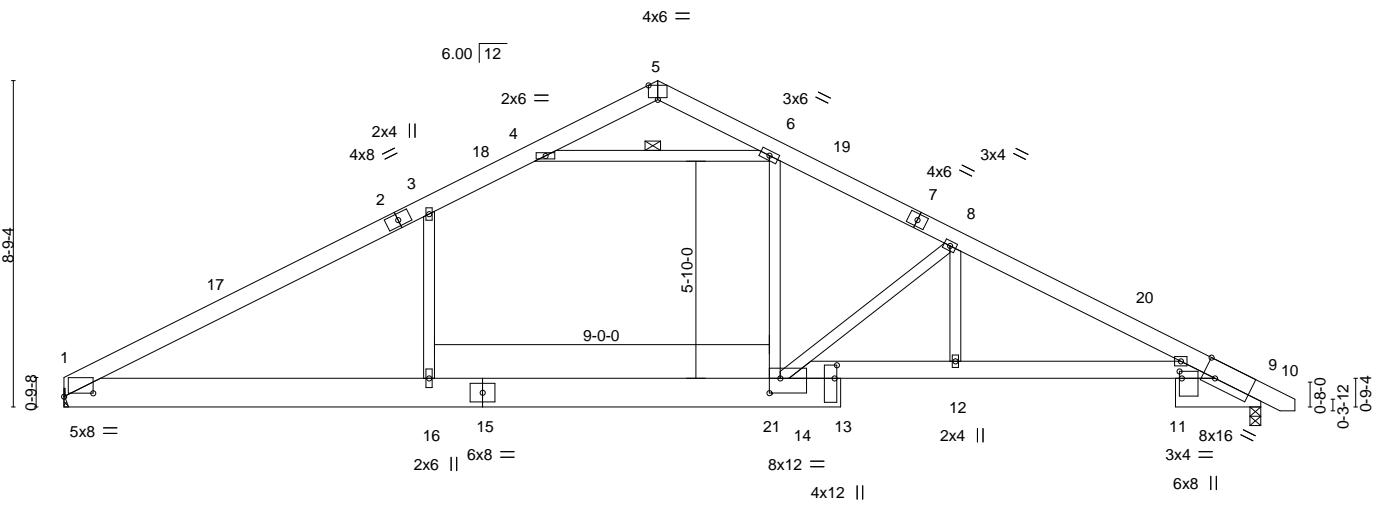


Plate Offsets (X, Y)-- [1:0-9-6,0-1-2], [5:0-3-0,Edge], [9:0-4-0,Edge], [11:0-2-4,0-0-12], [13:0-4-4,0-0-12], [14:0-3-8,0-4-12]

LOADING (psf)	SPACING-	CSI.	DEFL.	PLATES	GRIP
TCLL 20.0	2-0-0	TC 0.76	in (loc) l/defl L/d	MT20	244/190
TCDL 10.0	Plate Grip DOL 1.15	BC 0.66	Vert(LL) -0.21 16 >999 360		
BCLL 0.0 *	Lumber DOL 1.15	WB 0.70	Vert(CT) -0.36 16 >999 240		
BCDL 10.0	Rep Stress Incr YES	Matrix-S	Horz(CT) 0.09 9 n/a n/a		
	Code IRC2015/TP12014		Wind(LL) 0.16 1-16 >999 240	Weight: 243 lb	FT = 20%

LUMBER-	BRACING-
TOP CHORD 2x6 SP No.1	TOP CHORD Structural wood sheathing directly applied or 3-10-0 oc purlins.
BOT CHORD 2x10 SP No.1 *Except*	BOT CHORD Rigid ceiling directly applied or 10-0-0 oc bracing.
9-14: 2x6 SP 2400F 2.0E	WEBS 1 Row at midpt 4-6
WEBS 2x4 SP No.2	

**REACTIONS.** (size) 1=Mechanical, 9=0-3-8  
 Max Horz 1=-111(LC 8)  
 Max Uplift 1=-76(LC 12), 9=-90(LC 13)  
 Max Grav 1=1345(LC 2), 9=1347(LC 2)

**FORCES.** (lb) - Max. Comp./Max. Ten. - All forces 250 (lb) or less except when shown.  
 TOP CHORD 1-3=-2189/401, 3-4=-1853/491, 6-8=-2237/517, 8-9=-2874/549  
 BOT CHORD 1-16=-198/1827, 14-16=-200/1839, 12-14=-375/2511, 9-12=-384/2511  
 WEBS 6-14=-117/966, 3-16=-53/392, 4-6=-1931/474, 8-14=-1081/228, 8-12=0/620

- NOTES-**
- 1) Unbalanced roof live loads have been considered for this design.
  - 2) Wind: ASCE 7-10; Vult=130mph Vasd=103mph; TCDL=6.0psf; BCDL=6.0psf; h=15ft; Cat. II; Exp C; Enclosed; MWFRS (envelope) and C-C Exterior(2) 0-0-12 to 4-5-9, Interior(1) 4-5-9 to 15-11-8, Exterior(2) 15-11-8 to 20-4-5, Interior(1) 20-4-5 to 32-10-10 zone; C-C for members and forces & MWFRS for reactions shown; Lumber DOL=1.60 plate grip DOL=1.60
  - 3) This truss has been designed for a 10.0 psf bottom chord live load nonconcurrent with any other live loads.
  - 4) \* This truss has been designed for a live load of 30.0psf on the bottom chord in all areas where a rectangle 3-6-0 tall by 2-0-0 wide will fit between the bottom chord and any other members, with BCDL = 10.0psf.
  - 5) Refer to girder(s) for truss to truss connections.
  - 6) Provide mechanical connection (by others) of truss to bearing plate capable of withstanding 100 lb uplift at joint(s) 1, 9.



December 6, 2024

<p><b>WARNING - Verify design parameters and READ NOTES ON THIS AND INCLUDED MITEK REFERENCE PAGE MII-7473 rev. 1/2/2023 BEFORE USE.</b></p> <p>Design valid for use only with MiTek® connectors. This design is based only upon parameters shown, and is for an individual building component, not a truss system. Before use, the building designer must verify the applicability of design parameters and properly incorporate this design into the overall building design. Bracing indicated is to prevent buckling of individual truss web and/or chord members only. Additional temporary and permanent bracing is always required for stability and to prevent collapse with possible personal injury and property damage. For general guidance regarding the fabrication, storage, delivery, erection and bracing of trusses and truss systems, see <b>ANSI/TPH Quality Criteria and DSB-22</b> available from Truss Plate Institute (www.tpinst.org) and <b>BCSI Building Component Safety Information</b> available from the Structural Building Component Association (www.sbcacomponents.com)</p>	<p>818 Soundside Road Edenton, NC 27932</p>
--	---

Job J1124-6266	Truss A4	Truss Type COMMON	Qty 2	Ply 1	Lot 2 Maple Hill	170024553
-------------------	-------------	----------------------	----------	----------	------------------	-----------

Comtech, Inc. Fayetteville, NC - 28314,

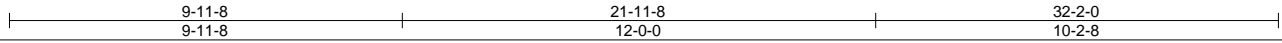
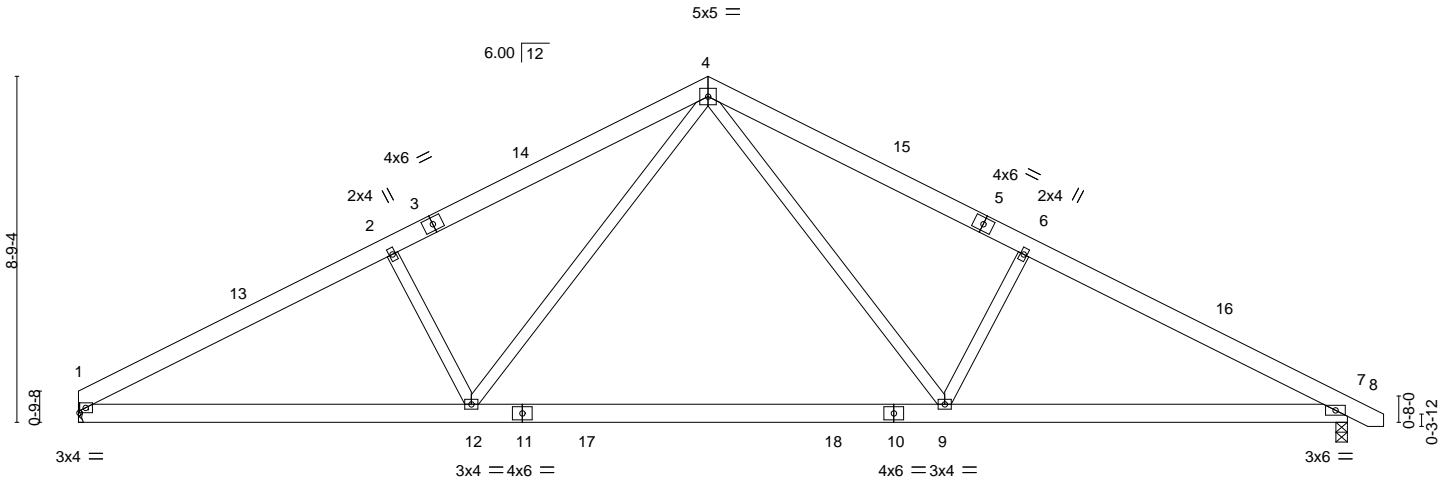
8.530 s Aug 2 2023 MiTek Industries, Inc. Thu Dec 5 16:11:46 2024 Page 1

ID:1yUksKympIk2404ufZyCrxyoKUD-o6AhFo5ThaCmZwJPbthnVHwo3B0EeHas7RcgU3yBz7R

Job Reference (optional)



Scale = 1:58.4



LOADING (psf)		SPACING-		CSI.		DEFL.				PLATES	GRIP	
TCLL	20.0	Plate Grip DOL	2-0-0	TC	0.28	Vert(LL)	-0.34	9-12	>999	360	MT20	244/190
TCDL	10.0	Lumber DOL	1.15	BC	0.64	Vert(CT)	-0.47	9-12	>822	240		
BCLL	0.0 *	Rep Stress Incr	YES	WB	0.27	Horz(CT)	0.05	7	n/a	n/a		
BCDL	10.0	Code	IRC2015/TPI2014	Matrix-S		Wind(LL)	0.05	12	>999	240	Weight: 204 lb	FT = 20%

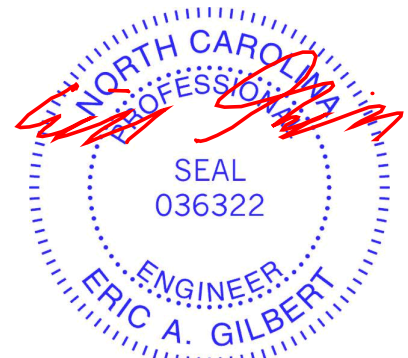
**LUMBER-**  
 TOP CHORD 2x6 SP No.1  
 BOT CHORD 2x6 SP No.1  
 WEBS 2x4 SP No.2

**BRACING-**  
 TOP CHORD Structural wood sheathing directly applied or 4-11-9 oc purlins.  
 BOT CHORD Rigid ceiling directly applied or 10-0-0 oc bracing.

**REACTIONS.** (size) 1=Mechanical, 7=0-3-8  
 Max Horz 1=-111(LC 8)  
 Max Uplift 1=-76(LC 12), 7=-89(LC 13)  
 Max Grav 1=1278(LC 1), 7=1331(LC 1)

**FORCES.** (lb) - Max. Comp./Max. Ten. - All forces 250 (lb) or less except when shown.  
 TOP CHORD 1-2=-2276/496, 2-4=-2096/546, 4-6=-2113/532, 6-7=-2294/484  
 BOT CHORD 1-12=-319/1973, 9-12=-109/1291, 7-9=-324/1953  
 WEBS 4-9=-147/922, 6-9=-454/288, 4-12=-144/897, 2-12=-437/286

- NOTES-**
- Unbalanced roof live loads have been considered for this design.
  - Wind: ASCE 7-10; Vult=130mph Vasd=103mph; TCDL=6.0psf; BCDL=6.0psf; h=15ft; Cat. II; Exp C; Enclosed; MWFRS (envelope) and C-C Exterior(2) 0-0-12 to 4-5-9, Interior(1) 4-5-9 to 15-11-8, Exterior(2) 15-11-8 to 20-4-5, Interior(1) 20-4-5 to 32-10-10 zone; C-C for members and forces & MWFRS for reactions shown; Lumber DOL=1.60 plate grip DOL=1.60
  - This truss has been designed for a 10.0 psf bottom chord live load nonconcurrent with any other live loads.
  - \* This truss has been designed for a live load of 30.0psf on the bottom chord in all areas where a rectangle 3-6-0 tall by 2-0-0 wide will fit between the bottom chord and any other members, with BCDL = 10.0psf.
  - Refer to girder(s) for truss to truss connections.
  - Provide mechanical connection (by others) of truss to bearing plate capable of withstanding 100 lb uplift at joint(s) 1, 7.



December 6, 2024

**WARNING - Verify design parameters and READ NOTES ON THIS AND INCLUDED MITEK REFERENCE PAGE MII-7473 rev. 1/2/2023 BEFORE USE.**  
 Design valid for use only with MiTek® connectors. This design is based only upon parameters shown, and is for an individual building component, not a truss system. Before use, the building designer must verify the applicability of design parameters and properly incorporate this design into the overall building design. Bracing indicated is to prevent buckling of individual truss web and/or chord members only. Additional temporary and permanent bracing is always required for stability and to prevent collapse with possible personal injury and property damage. For general guidance regarding the fabrication, storage, delivery, erection and bracing of trusses and truss systems, see **ANSI/TPH Quality Criteria and DSB-22** available from Truss Plate Institute (www.tpinst.org) and **BCSI Building Component Safety Information** available from the Structural Building Component Association (www.sbcacomponents.com)



818 Soundside Road  
 Edenton, NC 27932

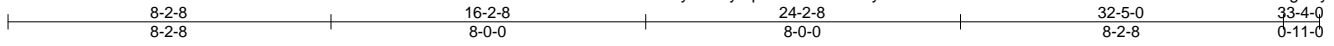
Job J1124-6266	Truss A5	Truss Type COMMON	Qty 4	Ply 1	Lot 2 Maple Hill	170024554
-------------------	-------------	----------------------	----------	----------	------------------	-----------

Comtech, Inc. Fayetteville, NC - 28314,

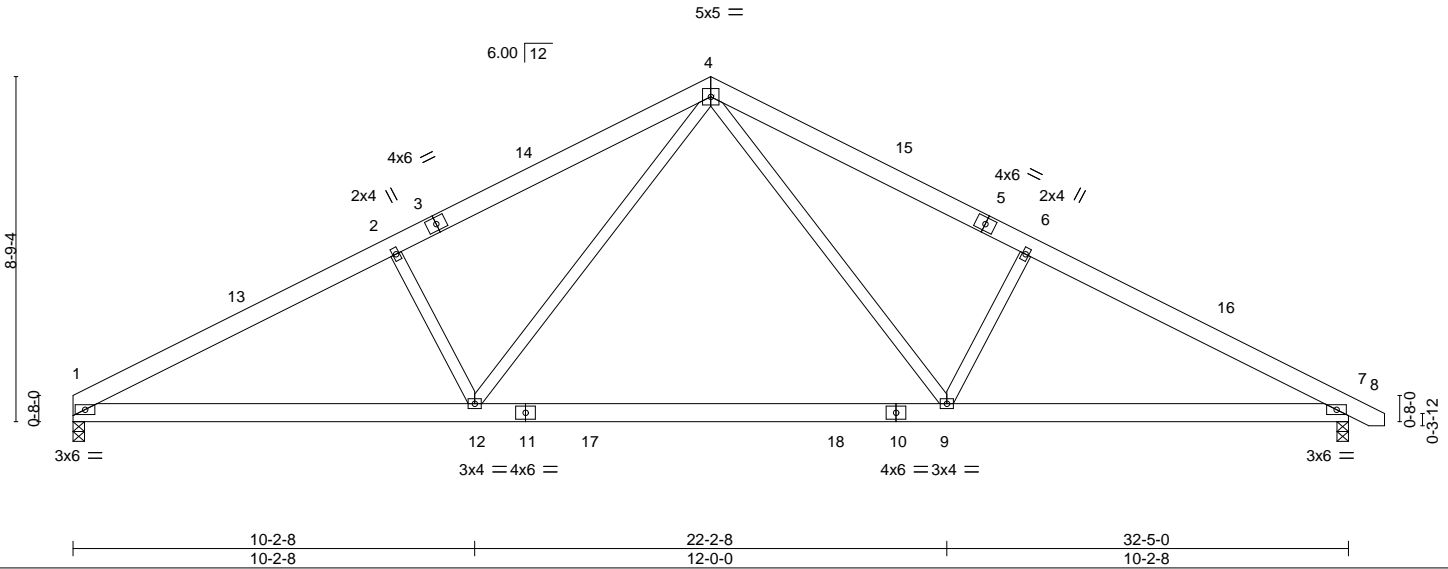
8.530 s Aug 2 2023 MiTek Industries, Inc. Thu Dec 5 16:11:46 2024 Page 1

ID:1yUksKymplk2404ufZYCrxyoKUD-o6AhFo5ThaCmZwJPbthnVHwo?B0DeHWs7RcgU3yBz7R

Job Reference (optional)



Scale = 1:58.6



LOADING (psf)	SPACING-	2-0-0	CSI.	DEFL.	in (loc)	l/defl	L/d	PLATES	GRIP
TCLL 20.0	Plate Grip DOL	1.15	TC 0.29	Vert(LL)	-0.34 9-12	>999	360	MT20	244/190
TCDL 10.0	Lumber DOL	1.15	BC 0.65	Vert(CT)	-0.47 9-12	>822	240		
BCLL 0.0 *	Rep Stress Incr	YES	WB 0.27	Horz(CT)	0.05 7	n/a	n/a		
BCDL 10.0	Code IRC2015/TPI2014		Matrix-S	Wind(LL)	0.05 12	>999	240		
								Weight: 206 lb	FT = 20%

**LUMBER-**  
 TOP CHORD 2x6 SP No.1  
 BOT CHORD 2x6 SP No.1  
 WEBS 2x4 SP No.2

**BRACING-**  
 TOP CHORD Structural wood sheathing directly applied or 4-10-13 oc purlins.  
 BOT CHORD Rigid ceiling directly applied or 10-0-0 oc bracing.

**REACTIONS.** (size) 1=0-3-8, 7=0-3-8  
 Max Horz 1=-111(LC 10)  
 Max Uplift 1=-77(LC 12), 7=-89(LC 13)  
 Max Grav 1=1284(LC 1), 7=1337(LC 1)

**FORCES.** (lb) - Max. Comp./Max. Ten. - All forces 250 (lb) or less except when shown.  
 TOP CHORD 1-2=-2310/503, 2-4=-2129/551, 4-6=-2126/535, 6-7=-2308/487  
 BOT CHORD 1-12=-327/2012, 9-12=-111/1304, 7-9=-326/1966  
 WEBS 4-9=-147/921, 6-9=-454/288, 4-12=-149/924, 2-12=-458/292

**NOTES-**

- 1) Unbalanced roof live loads have been considered for this design.
- 2) Wind: ASCE 7-10; Vult=130mph Vasd=103mph; TCCL=6.0psf; BCDL=6.0psf; h=15ft; Cat. II; Exp C; Enclosed; MWFRS (envelope) and C-C Exterior(2) 0-1-12 to 4-6-9, Interior(1) 4-6-9 to 16-2-8, Exterior(2) 16-2-8 to 20-7-5, Interior(1) 20-7-5 to 33-1-10 zone;C-C for members and forces & MWFRS for reactions shown; Lumber DOL=1.60 plate grip DOL=1.60
- 3) This truss has been designed for a 10.0 psf bottom chord live load nonconcurrent with any other live loads.
- 4) \* This truss has been designed for a live load of 30.0psf on the bottom chord in all areas where a rectangle 3-6-0 tall by 2-0-0 wide will fit between the bottom chord and any other members, with BCDL = 10.0psf.
- 5) Provide mechanical connection (by others) of truss to bearing plate capable of withstanding 100 lb uplift at joint(s) 1, 7.



December 6, 2024

**WARNING - Verify design parameters and READ NOTES ON THIS AND INCLUDED MITEK REFERENCE PAGE MII-7473 rev. 1/2/2023 BEFORE USE.**

Design valid for use only with MiTek® connectors. This design is based only upon parameters shown, and is for an individual building component, not a truss system. Before use, the building designer must verify the applicability of design parameters and properly incorporate this design into the overall building design. Bracing indicated is to prevent buckling of individual truss web and/or chord members only. Additional temporary and permanent bracing is always required for stability and to prevent collapse with possible personal injury and property damage. For general guidance regarding the fabrication, storage, delivery, erection and bracing of trusses and truss systems, see **ANSI/TPH Quality Criteria and DSB-22** available from Truss Plate Institute (www.tpinst.org) and **BCSI Building Component Safety Information** available from the Structural Building Component Association (www.sbcacomponents.com)



818 Soundside Road  
 Edenton, NC 27932

Job J1124-6266	Truss A5GE	Truss Type COMMON SUPPORTED GAB	Qty 1	Ply 1	Lot 2 Maple Hill Job Reference (optional)	170024555
-------------------	---------------	------------------------------------	----------	----------	--	-----------

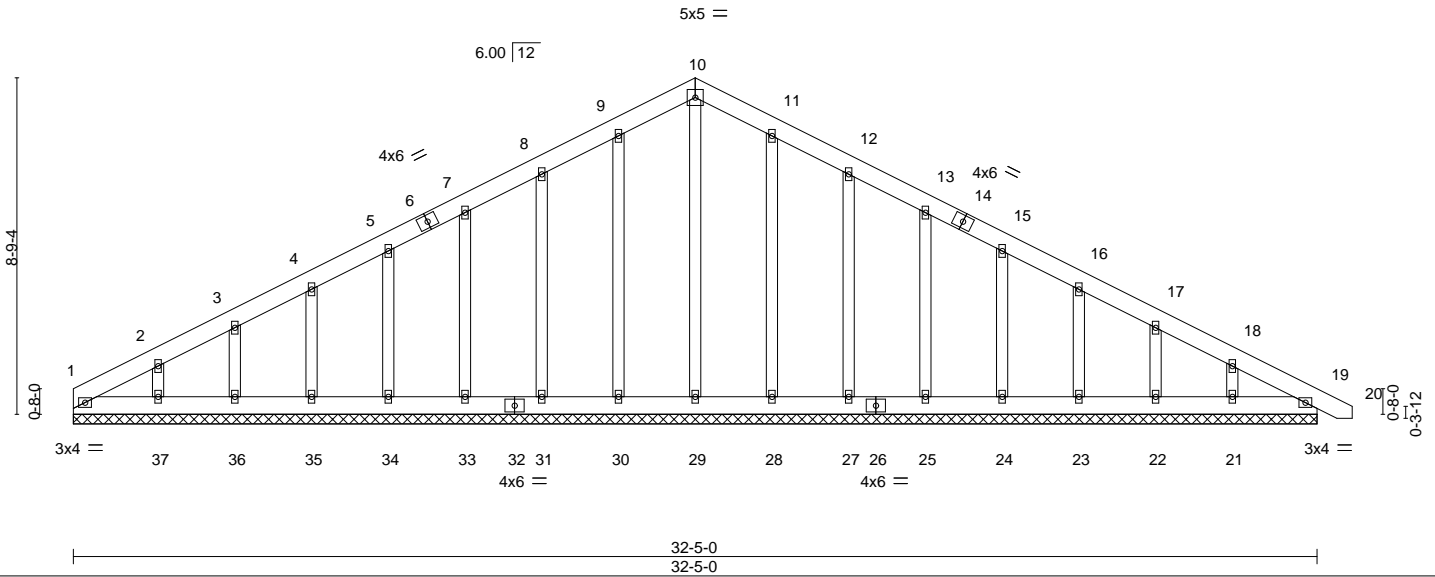
Comtech, Inc. Fayetteville, NC - 28314,

8.530 s Aug 2 2023 MiTek Industries, Inc. Thu Dec 5 16:11:47 2024 Page 1

ID:1yUksKymplk2404ufZYCrxyoKUD-HJj3S865SuKdB4tc9aC01VT1abWfNmWOM5LD0VybZ7Q

16-2-8 16-2-8 32-5-0 16-2-8 33-4-0 0-11-0

Scale = 1:60.1



LOADING (psf)	SPACING-	2-0-0	CSI.	DEFL.	in (loc)	l/defl	L/d	PLATES	GRIP
TCLL 20.0	Plate Grip DOL	1.15	TC 0.04	Vert(LL)	0.00	19	n/r	MT20	244/190
TCDL 10.0	Lumber DOL	1.15	BC 0.02	Vert(CT)	0.00	19	n/r		
BCLL 0.0 *	Rep Stress Incr	YES	WB 0.16	Horz(CT)	0.00	19	n/a		
BCDL 10.0	Code IRC2015/TPI2014		Matrix-S					Weight: 256 lb	FT = 20%

**LUMBER-**  
 TOP CHORD 2x6 SP No.1  
 BOT CHORD 2x6 SP No.1  
 OTHERS 2x4 SP No.2

**BRACING-**  
 TOP CHORD Structural wood sheathing directly applied or 6-0-0 oc purlins.  
 BOT CHORD Rigid ceiling directly applied or 10-0-0 oc bracing.

**REACTIONS.** All bearings 32-5-0.  
 (lb) - Max Horz 1=175(LC 17)  
 Max Uplift All uplift 100 lb or less at joint(s) 1, 30, 31, 33, 34, 35, 36, 28, 27, 25, 24, 23, 22, 21 except 37=101(LC 12)  
 Max Grav All reactions 250 lb or less at joint(s) 1, 29, 30, 31, 33, 34, 35, 36, 37, 28, 27, 25, 24, 23, 22, 21, 19

**FORCES.** (lb) - Max. Comp./Max. Ten. - All forces 250 (lb) or less except when shown.  
 TOP CHORD 9-10=114/284, 10-11=114/284

- NOTES-**
- 1) Unbalanced roof live loads have been considered for this design.
  - 2) Wind: ASCE 7-10; Vult=130mph Vasd=103mph; TCDL=6.0psf; BCDL=6.0psf; h=15ft; Cat. II; Exp C; Enclosed; MWFRS (envelope) gable end zone and C-C Exterior(2) zone; C-C for members and forces & MWFRS for reactions shown; Lumber DOL=1.60 plate grip DOL=1.60
  - 3) Truss designed for wind loads in the plane of the truss only. For studs exposed to wind (normal to the face), see Standard Industry Gable End Details as applicable, or consult qualified building designer as per ANSI/TPI 1.
  - 4) All plates are 2x4 MT20 unless otherwise indicated.
  - 5) Gable requires continuous bottom chord bearing.
  - 6) Gable studs spaced at 2-0-0 oc.
  - 7) This truss has been designed for a 10.0 psf bottom chord live load nonconcurrent with any other live loads.
  - 8) \* This truss has been designed for a live load of 30.0psf on the bottom chord in all areas where a rectangle 3-6-0 tall by 2-0-0 wide will fit between the bottom chord and any other members.
  - 9) Provide mechanical connection (by others) of truss to bearing plate capable of withstanding 100 lb uplift at joint(s) 1, 30, 31, 33, 34, 35, 36, 28, 27, 25, 24, 23, 22, 21 except (jt=lb) 37=101.



December 6, 2024

**WARNING - Verify design parameters and READ NOTES ON THIS AND INCLUDED MITEK REFERENCE PAGE MII-7473 rev. 1/2/2023 BEFORE USE.**  
 Design valid for use only with MiTek® connectors. This design is based only upon parameters shown, and is for an individual building component, not a truss system. Before use, the building designer must verify the applicability of design parameters and properly incorporate this design into the overall building design. Bracing indicated is to prevent buckling of individual truss web and/or chord members only. Additional temporary and permanent bracing is always required for stability and to prevent collapse with possible personal injury and property damage. For general guidance regarding the fabrication, storage, delivery, erection and bracing of trusses and truss systems, see **ANSI/TPI1 Quality Criteria and DSB-22** available from Truss Plate Institute (www.tpinst.org) and **BCSI Building Component Safety Information** available from the Structural Building Component Association (www.sbcacomponents.com)



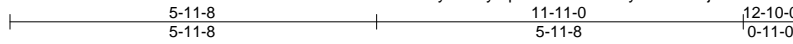
818 Soundside Road  
 Edenton, NC 27932

Job J1124-6266	Truss B1	Truss Type COMMON	Qty 1	Ply 1	Lot 2 Maple Hill Job Reference (optional)	170024556
-------------------	-------------	----------------------	----------	----------	--	-----------

Comtech, Inc. Fayetteville, NC - 28314,

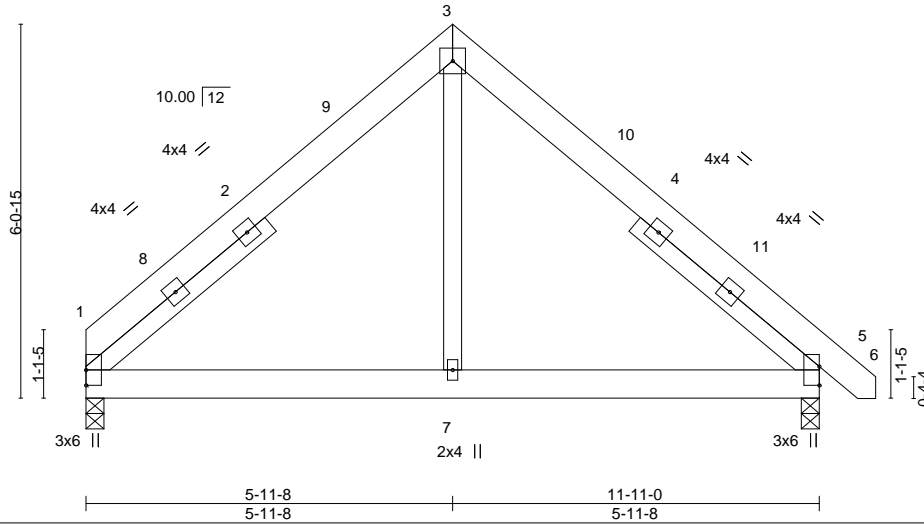
8.530 s Aug 2 2023 MiTek Industries, Inc. Thu Dec 5 16:11:47 2024 Page 1

ID:1yUksKymplk2404ufZYCrxyoKUD-HJj3S865SuKdB4tc9aC01VT?4bVcNo00M5LD0VyBz7Q



5x5 =

Scale = 1:37.4



LOADING (psf)	SPACING-	2-0-0	CSI.	DEFL.	in (loc)	l/defl	L/d	PLATES	GRIP
TCLL 20.0	Plate Grip DOL	1.15	TC 0.14	Vert(LL)	-0.01	1-7	>999	MT20	244/190
TCDL 10.0	Lumber DOL	1.15	BC 0.12	Vert(CT)	-0.02	1-7	>999		
BCLL 0.0 *	Rep Stress Incr	YES	WB 0.06	Horz(CT)	0.00	5	n/a		
BCDL 10.0	Code IRC2015/TPI2014		Matrix-S	Wind(LL)	0.01	5-7	>999		
								Weight: 87 lb	FT = 20%

**LUMBER-**

TOP CHORD 2x6 SP No.1  
 BOT CHORD 2x6 SP No.1  
 WEBS 2x4 SP No.2  
 SLIDER Left 2x4 SP No.2 3-9-13, Right 2x4 SP No.2 3-9-13

**BRACING-**

TOP CHORD Structural wood sheathing directly applied or 6-0-0 oc purlins.  
 BOT CHORD Rigid ceiling directly applied or 10-0-0 oc bracing.

**REACTIONS.**

(size) 1=0-3-8, 5=0-3-8  
 Max Horz 1=-134(LC 10)  
 Max Uplift 1=-18(LC 12), 5=-29(LC 13)  
 Max Grav 1=475(LC 1), 5=524(LC 1)

**FORCES.** (lb) - Max. Comp./Max. Ten. - All forces 250 (lb) or less except when shown.

TOP CHORD 1-3=-491/156, 3-5=-517/155  
 BOT CHORD 1-7=0/307, 5-7=0/307  
 WEBS 3-7=0/277

**NOTES-**

- Unbalanced roof live loads have been considered for this design.
- Wind: ASCE 7-10; Vult=130mph Vasd=103mph; TCDL=6.0psf; BCDL=6.0psf; h=15ft; Cat. II; Exp C; Enclosed; MWFRS (envelope) and C-C Exterior(2) 0-0-0 to 4-4-13, Interior(1) 4-4-13 to 5-11-8, Exterior(2) 5-11-8 to 10-4-5, Interior(1) 10-4-5 to 12-8-4 zone; C-C for members and forces & MWFRS for reactions shown; Lumber DOL=1.60 plate grip DOL=1.60
- This truss has been designed for a 10.0 psf bottom chord live load nonconcurrent with any other live loads.
- \* This truss has been designed for a live load of 30.0psf on the bottom chord in all areas where a rectangle 3-6-0 tall by 2-0-0 wide will fit between the bottom chord and any other members.
- Provide mechanical connection (by others) of truss to bearing plate capable of withstanding 100 lb uplift at joint(s) 1, 5.



December 6, 2024

**WARNING - Verify design parameters and READ NOTES ON THIS AND INCLUDED MITEK REFERENCE PAGE MII-7473 rev. 1/2/2023 BEFORE USE.**

Design valid for use only with MiTek® connectors. This design is based only upon parameters shown, and is for an individual building component, not a truss system. Before use, the building designer must verify the applicability of design parameters and properly incorporate this design into the overall building design. Bracing indicated is to prevent buckling of individual truss web and/or chord members only. Additional temporary and permanent bracing is always required for stability and to prevent collapse with possible personal injury and property damage. For general guidance regarding the fabrication, storage, delivery, erection and bracing of trusses and truss systems, see **ANSI/TPH Quality Criteria and DSB-22** available from Truss Plate Institute ([www.tpinst.org](http://www.tpinst.org)) and **BCSI Building Component Safety Information** available from the Structural Building Component Association ([www.sbcacomponents.com](http://www.sbcacomponents.com))

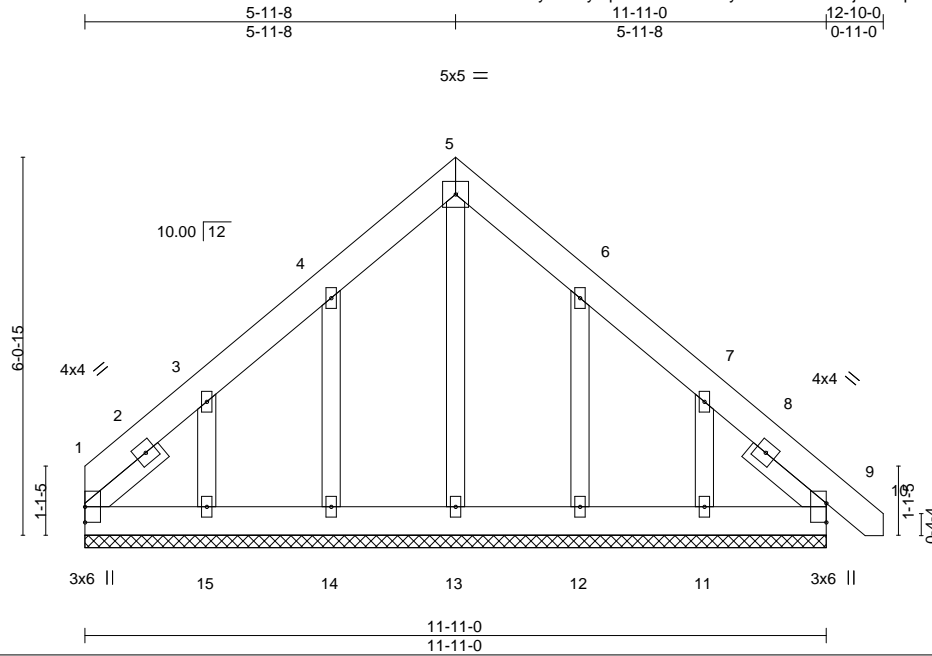


818 Soundside Road  
 Edenton, NC 27932

Job J1124-6266	Truss B1GE	Truss Type COMMON SUPPORTED GAB	Qty 1	Ply 1	Lot 2 Maple Hill Job Reference (optional)	170024557
-------------------	---------------	------------------------------------	----------	----------	--	-----------

Comtech, Inc. Fayetteville, NC - 28314,

8.530 s Aug 2 2023 MiTek Industries, Inc. Thu Dec 5 16:11:48 2024 Page 1  
ID:1yUksKypmk2404ufZYCrxyoKUD-IVHRfU7jDCSUpESojIkFai?CZ?sQ6FV9bl5mYyyBz7P



Scale = 1:37.0

LOADING (psf)	SPACING-	2-0-0	CSI.	DEFL.	in (loc)	l/defl	L/d	PLATES	GRIP
TCLL 20.0	Plate Grip DOL	1.15	TC 0.03	Vert(LL)	-0.00	9	n/r	MT20	244/190
TCDL 10.0	Lumber DOL	1.15	BC 0.02	Vert(CT)	0.00	9	n/r		
BCLL 0.0 *	Rep Stress Incr	YES	WB 0.05	Horz(CT)	0.00	9	n/a		
BCDL 10.0	Code IRC2015/TPI2014		Matrix-S					Weight: 96 lb	FT = 20%

**LUMBER-**

TOP CHORD 2x6 SP No.1  
 BOT CHORD 2x6 SP No.1  
 OTHERS 2x4 SP No.2  
 SLIDER Left 2x4 SP No.2 1-6-11, Right 2x4 SP No.2 1-6-11

**BRACING-**

TOP CHORD Structural wood sheathing directly applied or 6-0-0 oc purlins.  
 BOT CHORD Rigid ceiling directly applied or 10-0-0 oc bracing.

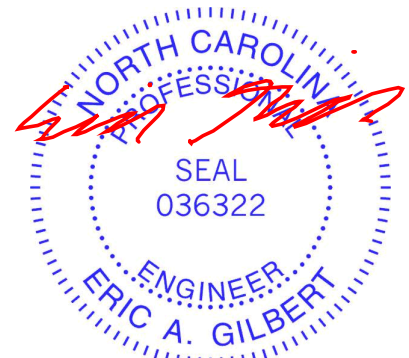
**REACTIONS.**

All bearings 11-11-0.  
 (lb) - Max Horz 1=-167(LC 8)  
 Max Uplift All uplift 100 lb or less at joint(s) 1, 9, 14, 12 except 15=-181(LC 12), 11=-169(LC 13)  
 Max Grav All reactions 250 lb or less at joint(s) 1, 9, 13, 14, 15, 12, 11

**FORCES.** (lb) - Max. Comp./Max. Ten. - All forces 250 (lb) or less except when shown.

**NOTES-**

- Unbalanced roof live loads have been considered for this design.
- Wind: ASCE 7-10; Vult=130mph Vasd=103mph; TCDL=6.0psf; BCDL=6.0psf; h=15ft; Cat. II; Exp C; Enclosed; MWFRS (envelope) gable end zone and C-C Exterior(2) zone; C-C for members and forces & MWFRS for reactions shown; Lumber DOL=1.60 plate grip DOL=1.60
- Truss designed for wind loads in the plane of the truss only. For studs exposed to wind (normal to the face), see Standard Industry Gable End Details as applicable, or consult qualified building designer as per ANSI/TPI 1.
- All plates are 2x4 MT20 unless otherwise indicated.
- Gable requires continuous bottom chord bearing.
- Gable studs spaced at 2-0-0 oc.
- This truss has been designed for a 10.0 psf bottom chord live load nonconcurrent with any other live loads.
- \* This truss has been designed for a live load of 30.0psf on the bottom chord in all areas where a rectangle 3-6-0 tall by 2-0-0 wide will fit between the bottom chord and any other members.
- Provide mechanical connection (by others) of truss to bearing plate capable of withstanding 100 lb uplift at joint(s) 1, 9, 14, 12 except (jt=lb) 15=181, 11=169.
- Beveled plate or shim required to provide full bearing surface with truss chord at joint(s) 9.



December 6, 2024

**WARNING - Verify design parameters and READ NOTES ON THIS AND INCLUDED MITEK REFERENCE PAGE MII-7473 rev. 1/2/2023 BEFORE USE.**

Design valid for use only with MiTek® connectors. This design is based only upon parameters shown, and is for an individual building component, not a truss system. Before use, the building designer must verify the applicability of design parameters and properly incorporate this design into the overall building design. Bracing indicated is to prevent buckling of individual truss web and/or chord members only. Additional temporary and permanent bracing is always required for stability and to prevent collapse with possible personal injury and property damage. For general guidance regarding the fabrication, storage, delivery, erection and bracing of trusses and truss systems, see **ANSI/TPH Quality Criteria and DSB-22** available from Truss Plate Institute (www.tpinst.org) and **BCSI Building Component Safety Information** available from the Structural Building Component Association (www.sbcacomponents.com)



818 Soundside Road  
 Edenton, NC 27932

Job J1124-6266	Truss B2	Truss Type ROOF SPECIAL	Qty 1	Ply 2	Lot 2 Maple Hill Job Reference (optional)	170024558
-------------------	-------------	----------------------------	----------	----------	--	-----------

Comtech, Inc. Fayetteville, NC - 28314,

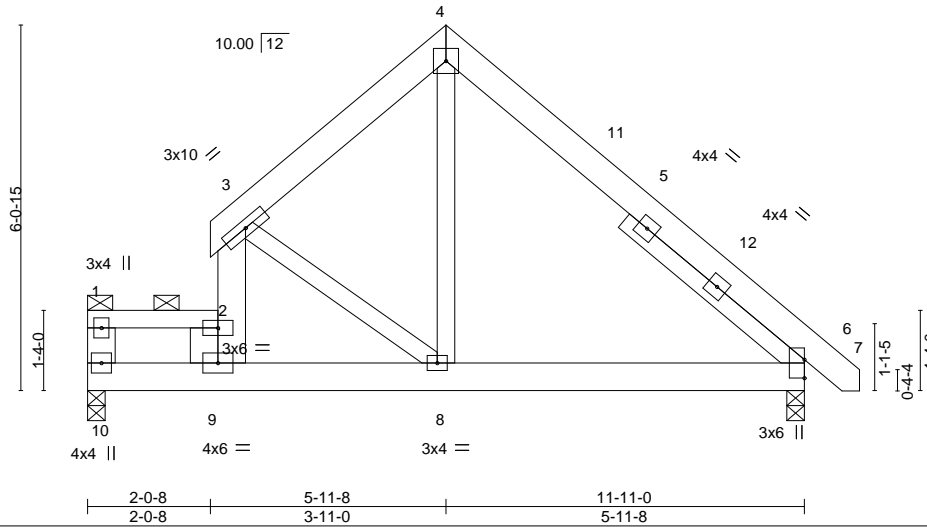
8.530 s Aug 2 2023 MiTek Industries, Inc. Thu Dec 5 16:11:48 2024 Page 1

ID:1yUksKypmk2404ufZYCrxyoKUD-IVHRfU7jDCSUpESojIkFai?AK?p66DN9bl5mYyBz7P



5x5 =

Scale = 1:38.3



LOADING (psf)	SPACING-	2-0-0	CSI.	DEFL.	in (loc)	l/defl	L/d	PLATES	GRIP
TCLL 20.0	Plate Grip DOL	1.15	TC 0.17	Vert(LL)	-0.01 8-9	>999	360	MT20	244/190
BCDL 10.0	Lumber DOL	1.15	BC 0.23	Vert(CT)	-0.04 8-9	>999	240		
BCLL 0.0 *	Rep Stress Incr	NO	WB 0.18	Horz(CT)	0.00 6	n/a	n/a		
BCDL 10.0	Code IRC2015/TP12014		Matrix-S	Wind(LL)	0.01 8-9	>999	240		
								Weight: 184 lb	FT = 20%

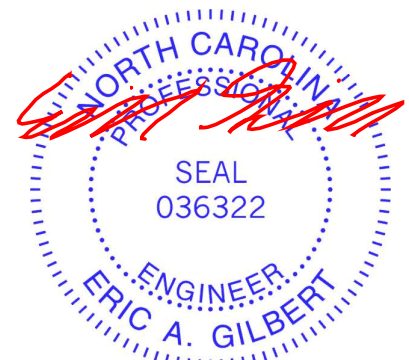
LUMBER-	BRACING-
TOP CHORD 2x6 SP No.1 *Except* 1-2: 2x4 SP No.1	TOP CHORD Structural wood sheathing directly applied or 6-0-0 oc purlins, except end verticals, and 2-0-0 oc purlins (6-0-0 max.): 1-2.
BOT CHORD 2x6 SP No.1	BOT CHORD Rigid ceiling directly applied or 10-0-0 oc bracing.
WEBS 2x6 SP No.1 *Except* 4-8,3-8: 2x4 SP No.2	
SLIDER Right 2x4 SP No.2 3-9-13	

REACTIONS.	(size)
	10=0-3-8, 6=0-3-8
	Max Horz 10=-131(LC 8)
	Max Grav 10=859(LC 1), 6=555(LC 1)

FORCES.	(lb) - Max. Comp./Max. Ten. - All forces 250 (lb) or less except when shown.
TOP CHORD	1-10=-363/0, 1-2=-630/0, 3-4=-478/103, 4-6=-578/69
BOT CHORD	9-10=0/631, 8-9=0/325, 6-8=0/334
WEBS	4-8=0/359, 2-9=-497/2, 2-3=-404/132

- NOTES-**
- 2-ply truss to be connected together with 10d (0.131"x3") nails as follows:  
Top chords connected as follows: 2x6 - 2 rows staggered at 0-9-0 oc, 2x4 - 1 row at 0-9-0 oc.  
Bottom chords connected as follows: 2x6 - 2 rows staggered at 0-9-0 oc.  
Webs connected as follows: 2x4 - 1 row at 0-9-0 oc, 2x6 - 2 rows staggered at 0-9-0 oc.
  - All loads are considered equally applied to all plies, except if noted as front (F) or back (B) face in the LOAD CASE(S) section. Ply to ply connections have been provided to distribute only loads noted as (F) or (B), unless otherwise indicated.
  - Unbalanced roof live loads have been considered for this design.
  - Wind: ASCE 7-10; Vult=130mph Vasd=103mph; TC DL=6.0psf; BC DL=6.0psf; h=15ft; Cat. II; Exp C; Enclosed; MWFRS (envelope) and C-C Exterior(2) 0-2-12 to 2-4-12, Interior(1) 2-4-12 to 5-11-8, Exterior(2) 5-11-8 to 10-4-5, Interior(1) 10-4-5 to 12-8-4 zone; C-C for members and forces & MWFRS for reactions shown; Lumber DOL=1.60 plate grip DOL=1.60
  - Provide adequate drainage to prevent water ponding.
  - This truss has been designed for a 10.0 psf bottom chord live load nonconcurrent with any other live loads.
  - \* This truss has been designed for a live load of 30.0psf on the bottom chord in all areas where a rectangle 3-6-0 tall by 2-0-0 wide will fit between the bottom chord and any other members.
  - Load case(s) 1, 2, 3, 4, 5, 6, 7, 8, 9, 10, 11, 12, 13, 14, 15, 16, 17, 18, 19, 20, 21, 22, 23, 24, 25, 26 has/have been modified.  
Building designer must review loads to verify that they are correct for the intended use of this truss.
  - Graphical purlin representation does not depict the size or the orientation of the purlin along the top and/or bottom chord.

LOAD CASE(S)	Standard
1) Dead + Roof Live (balanced): Lumber Increase=1.15, Plate Increase=1.15	
Uniform Loads (plf)	
Vert: 1-2=-260, 3-4=-60, 4-7=-60, 6-10=-20	



December 6, 2024

Continued on page 2

**WARNING - Verify design parameters and READ NOTES ON THIS AND INCLUDED MITEK REFERENCE PAGE MII-7473 rev. 1/2/2023 BEFORE USE.**

Design valid for use only with MiTek® connectors. This design is based only upon parameters shown, and is for an individual building component, not a truss system. Before use, the building designer must verify the applicability of design parameters and properly incorporate this design into the overall building design. Bracing indicated is to prevent buckling of individual truss web and/or chord members only. Additional temporary and permanent bracing is always required for stability and to prevent collapse with possible personal injury and property damage. For general guidance regarding the fabrication, storage, delivery, erection and bracing of trusses and truss systems, see **ANSI/TPH Quality Criteria and DSB-22** available from Truss Plate Institute (www.tpinst.org) and **BCSI Building Component Safety Information** available from the Structural Building Component Association (www.sbcacomponents.com)

**ENGINEERING BY**  
**TRENCO**  
A MiTek Affiliate

818 Soundside Road  
Edenton, NC 27932

Job	Truss	Truss Type	Qty	Ply	Lot 2 Maple Hill	170024558
J1124-6266	B2	ROOF SPECIAL	1	2	Job Reference (optional)	

Comtech, Inc. Fayetteville, NC - 28314,

8.530 s Aug 2 2023 MiTek Industries, Inc. Thu Dec 5 16:11:48 2024 Page 2  
 ID:1yUksKypmlk2404ufZYCrxyoKUD-IVHRfU7JDCSupESojIkFai?AK?p66DN9bl5mYyyBz7P

**LOAD CASE(S)** Standard

- 2) Dead + 0.75 Roof Live (balanced): Lumber Increase=1.15, Plate Increase=1.15  
 Uniform Loads (plf)  
 Vert: 1-2=-250, 3-4=-50, 4-7=-50, 6-10=-20
- 3) Dead + Uninhabitable Attic Without Storage: Lumber Increase=1.25, Plate Increase=1.25  
 Uniform Loads (plf)  
 Vert: 1-2=-220, 3-4=-20, 4-7=-20, 6-10=-40
- 4) Dead + 0.6 C-C Wind (Pos. Internal) Case 1: Lumber Increase=1.60, Plate Increase=1.60  
 Uniform Loads (plf)  
 Vert: 1-2=-156, 3-4=27, 4-12=35, 6-12=27, 6-7=20, 6-10=-12  
 Horz: 3-4=-39, 4-12=47, 6-12=39, 6-7=32
- 5) Dead + 0.6 C-C Wind (Pos. Internal) Case 2: Lumber Increase=1.60, Plate Increase=1.60  
 Uniform Loads (plf)  
 Vert: 1-2=-170, 3-4=35, 4-11=27, 6-11=35, 6-7=58, 6-10=-12  
 Horz: 3-4=-47, 4-11=39, 6-11=47, 6-7=70
- 6) Dead + 0.6 C-C Wind (Neg. Internal) Case 1: Lumber Increase=1.60, Plate Increase=1.60  
 Uniform Loads (plf)  
 Vert: 1-2=-235, 3-4=-58, 4-6=-58, 6-7=-51, 6-10=-20  
 Horz: 3-4=38, 4-6=-38, 6-7=31
- 7) Dead + 0.6 C-C Wind (Neg. Internal) Case 2: Lumber Increase=1.60, Plate Increase=1.60  
 Uniform Loads (plf)  
 Vert: 1-2=-235, 3-4=-58, 4-6=-58, 6-7=11, 6-10=-20  
 Horz: 3-4=38, 4-6=-38, 6-7=31
- 8) Dead + 0.6 MWFRS Wind (Pos. Internal) Left: Lumber Increase=1.60, Plate Increase=1.60  
 Uniform Loads (plf)  
 Vert: 1-2=-179, 3-4=-13, 4-6=11, 6-7=4, 6-10=-12  
 Horz: 3-4=1, 4-6=23, 6-7=16
- 9) Dead + 0.6 MWFRS Wind (Pos. Internal) Right: Lumber Increase=1.60, Plate Increase=1.60  
 Uniform Loads (plf)  
 Vert: 1-2=-191, 3-4=11, 4-6=-13, 6-7=2, 6-10=-12  
 Horz: 3-4=-23, 4-6=-1, 6-7=14
- 10) Dead + 0.6 MWFRS Wind (Neg. Internal) Left: Lumber Increase=1.60, Plate Increase=1.60  
 Uniform Loads (plf)  
 Vert: 1-2=-201, 3-4=-35, 4-6=-11, 6-7=-4, 6-10=-20  
 Horz: 3-4=15, 4-6=9, 6-7=16
- 11) Dead + 0.6 MWFRS Wind (Neg. Internal) Right: Lumber Increase=1.60, Plate Increase=1.60  
 Uniform Loads (plf)  
 Vert: 1-2=-213, 3-4=-11, 4-6=-35, 6-7=-28, 6-10=-20  
 Horz: 3-4=9, 4-6=-15, 6-7=-8
- 12) Dead + 0.6 MWFRS Wind (Pos. Internal) 1st Parallel: Lumber Increase=1.60, Plate Increase=1.60  
 Uniform Loads (plf)  
 Vert: 1-2=-179, 3-4=21, 4-6=9, 6-7=2, 6-10=-12  
 Horz: 3-4=-33, 4-6=21, 6-7=14
- 13) Dead + 0.6 MWFRS Wind (Pos. Internal) 2nd Parallel: Lumber Increase=1.60, Plate Increase=1.60  
 Uniform Loads (plf)  
 Vert: 1-2=-191, 3-4=9, 4-6=21, 6-7=14, 6-10=-12  
 Horz: 3-4=-21, 4-6=33, 6-7=26
- 14) Dead + 0.6 MWFRS Wind (Pos. Internal) 3rd Parallel: Lumber Increase=1.60, Plate Increase=1.60  
 Uniform Loads (plf)  
 Vert: 1-2=-179, 3-4=21, 4-6=9, 6-7=2, 6-10=-12  
 Horz: 3-4=-33, 4-6=21, 6-7=14
- 15) Dead + 0.6 MWFRS Wind (Pos. Internal) 4th Parallel: Lumber Increase=1.60, Plate Increase=1.60  
 Uniform Loads (plf)  
 Vert: 1-2=-191, 3-4=9, 4-6=21, 6-7=14, 6-10=-12  
 Horz: 3-4=-21, 4-6=33, 6-7=26
- 16) Dead + 0.6 MWFRS Wind (Neg. Internal) 1st Parallel: Lumber Increase=1.60, Plate Increase=1.60  
 Uniform Loads (plf)  
 Vert: 1-2=-201, 3-4=-1, 4-6=-13, 6-7=-6, 6-10=-20  
 Horz: 3-4=19, 4-6=7, 6-7=14
- 17) Dead + 0.6 MWFRS Wind (Neg. Internal) 2nd Parallel: Lumber Increase=1.60, Plate Increase=1.60  
 Uniform Loads (plf)  
 Vert: 1-2=-213, 3-4=-13, 4-6=-1, 6-7=6, 6-10=-20  
 Horz: 3-4=-7, 4-6=19, 6-7=26
- 18) Dead: Lumber Increase=0.90, Plate Increase=0.90 Plt. metal=0.90  
 Uniform Loads (plf)  
 Vert: 1-2=-220, 3-4=-20, 4-7=-20, 6-10=-20
- 19) Dead + 0.75 Roof Live (bal.) + 0.75(0.6 MWFRS Wind (Neg. Int) Left): Lumber Increase=1.60, Plate Increase=1.60  
 Uniform Loads (plf)  
 Vert: 1-2=-236, 3-4=-61, 4-6=-43, 6-7=-38, 6-10=-20  
 Horz: 3-4=11, 4-6=7, 6-7=12
- 20) Dead + 0.75 Roof Live (bal.) + 0.75(0.6 MWFRS Wind (Neg. Int) Right): Lumber Increase=1.60, Plate Increase=1.60  
 Uniform Loads (plf)  
 Vert: 1-2=-245, 3-4=-43, 4-6=-61, 6-7=-56, 6-10=-20  
 Horz: 3-4=-7, 4-6=-11, 6-7=-6
- 21) Dead + 0.75 Roof Live (bal.) + 0.75(0.6 MWFRS Wind (Neg. Int) 1st Parallel): Lumber Increase=1.60, Plate Increase=1.60

Continued on page 3

**WARNING - Verify design parameters and READ NOTES ON THIS AND INCLUDED MITEK REFERENCE PAGE MII-7473 rev. 1/2/2023 BEFORE USE.**

Design valid for use only with MiTek® connectors. This design is based only upon parameters shown, and is for an individual building component, not a truss system. Before use, the building designer must verify the applicability of design parameters and properly incorporate this design into the overall building design. Bracing indicated is to prevent buckling of individual truss web and/or chord members only. Additional temporary and permanent bracing is always required for stability and to prevent collapse with possible personal injury and property damage. For general guidance regarding the fabrication, storage, delivery, erection and bracing of trusses and truss systems, see **ANSI/TPH Quality Criteria and DSB-22** available from Truss Plate Institute ([www.tpinst.org](http://www.tpinst.org)) and **BCSI Building Component Safety Information** available from the Structural Building Component Association ([www.sbcacomponents.com](http://www.sbcacomponents.com))



818 Soundside Road  
 Edenton, NC 27932



Job	Truss	Truss Type	Qty	Ply	Lot 2 Maple Hill	170024558
J1124-6266	B2	ROOF SPECIAL	1	<b>2</b>	Job Reference (optional)	

Comtech, Inc. Fayetteville, NC - 28314,

8.530 s Aug 2 2023 MiTek Industries, Inc. Thu Dec 5 16:11:48 2024 Page 3  
 ID:1yUksKymplk2404ufZYCrxyoKUD-IVHRfU7jDCSUpESojkFai?AK?p66DN9bl5mYyyBz7P

**LOAD CASE(S)** Standard

Uniform Loads (plf)

Vert: 1-2=-236, 3-4=-36, 4-6=-45, 6-7=-40, 6-10=-20  
 Horz: 3-4=14, 4-6=5, 6-7=10

22) Dead + 0.75 Roof Live (bal.) + 0.75(0.6 MWFRS Wind (Neg. Int) 2nd Parallel): Lumber Increase=1.60, Plate Increase=1.60

Uniform Loads (plf)

Vert: 1-2=-245, 3-4=-45, 4-6=-36, 6-7=-31, 6-10=-20  
 Horz: 3-4=-5, 4-6=14, 6-7=19

23) 1st Dead + Roof Live (unbalanced): Lumber Increase=1.15, Plate Increase=1.15

Uniform Loads (plf)

Vert: 1-2=-260, 3-4=-60, 4-7=-20, 6-10=-20

24) 2nd Dead + Roof Live (unbalanced): Lumber Increase=1.15, Plate Increase=1.15

Uniform Loads (plf)

Vert: 1-2=-220, 3-4=-20, 4-7=-60, 6-10=-20

25) 3rd Dead + 0.75 Roof Live (unbalanced): Lumber Increase=1.15, Plate Increase=1.15

Uniform Loads (plf)

Vert: 1-2=-250, 3-4=-50, 4-7=-20, 6-10=-20

26) 4th Dead + 0.75 Roof Live (unbalanced): Lumber Increase=1.15, Plate Increase=1.15

Uniform Loads (plf)

Vert: 1-2=-220, 3-4=-20, 4-7=-50, 6-10=-20

**WARNING - Verify design parameters and READ NOTES ON THIS AND INCLUDED MITEK REFERENCE PAGE MII-7473 rev. 1/2/2023 BEFORE USE.**

Design valid for use only with MiTek® connectors. This design is based only upon parameters shown, and is for an individual building component, not a truss system. Before use, the building designer must verify the applicability of design parameters and properly incorporate this design into the overall building design. Bracing indicated is to prevent buckling of individual truss web and/or chord members only. Additional temporary and permanent bracing is always required for stability and to prevent collapse with possible personal injury and property damage. For general guidance regarding the fabrication, storage, delivery, erection and bracing of trusses and truss systems, see **ANSI/TP1 Quality Criteria and DSB-22** available from Truss Plate Institute ([www.tpinst.org](http://www.tpinst.org)) and **BCSI Building Component Safety Information** available from the Structural Building Component Association ([www.sbcacomponents.com](http://www.sbcacomponents.com))



818 Soundside Road  
 Edenton, NC 27932

Job	Truss	Truss Type	Qty	Ply	Lot 2 Maple Hill	170024559
J1124-6266	C1	Monopitch	5	1	Job Reference (optional)	

Comtech, Inc. Fayetteville, NC - 28314,

8.530 s Aug 2 2023 MiTek Industries, Inc. Thu Dec 5 16:11:49 2024 Page 1

ID:1yUksKymplk2404ufZYCrxyoKUD-Dhrptq8L\_VaLQO1\_H?FU7wYAWO9BriUipPqK4OyBz7O



Scale = 1:17.0

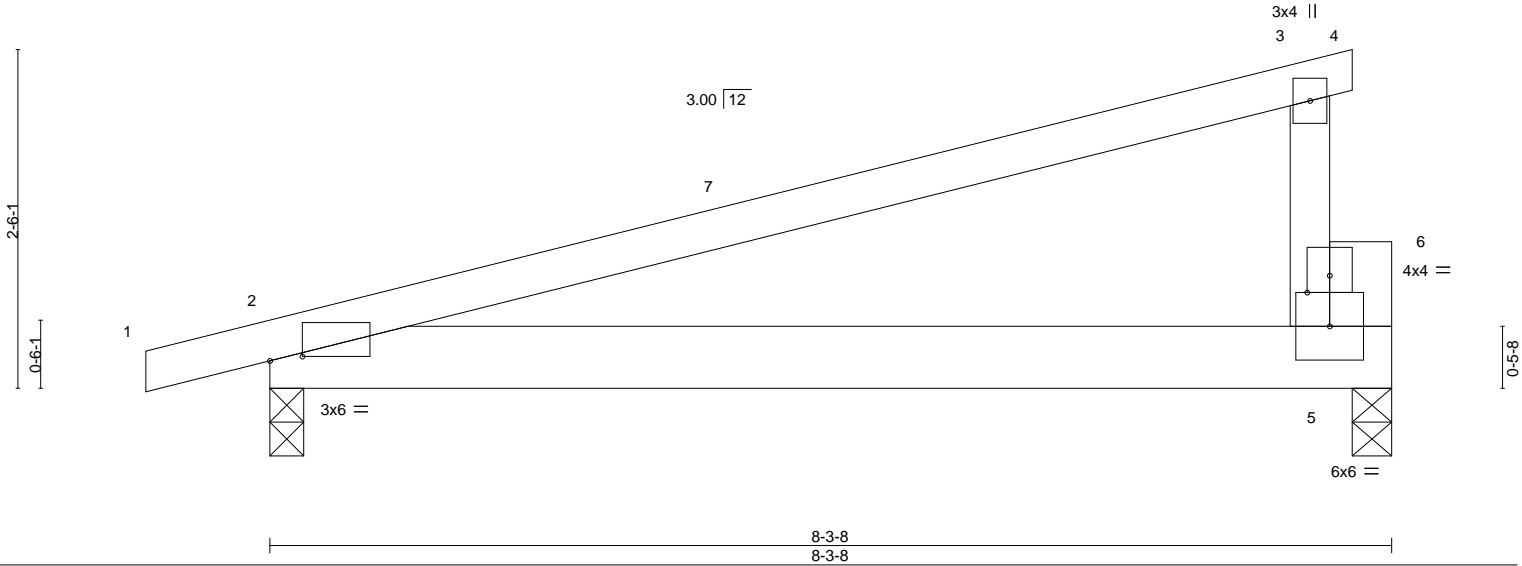


Plate Offsets (X,Y)--	[2:0-2-14,0-0-6], [6:0-2-0,0-1-8]
-----------------------	-----------------------------------

LOADING (psf)	SPACING-	CSI.	DEFL.	PLATES	GRIP
TCLL 20.0	2-0-0	TC 0.84	in (loc) l/defl L/d	MT20	244/190
TCDL 10.0	Plate Grip DOL 1.15	BC 0.24	Vert(LL) -0.05 2-5 >999 360		
BCLL 0.0 *	Lumber DOL 1.15	WB 0.00	Vert(CT) -0.10 2-5 >969 240		
BCDL 10.0	Rep Stress Incr YES	Matrix-P	Horz(CT) 0.00 5 n/a n/a		
	Code IRC2015/TPI2014		Wind(LL) 0.10 2-5 >886 240	Weight: 37 lb	FT = 20%

LUMBER-	BRACING-
TOP CHORD 2x4 SP No.1	TOP CHORD Structural wood sheathing directly applied or 5-3-4 oc purlins, except end verticals.
BOT CHORD 2x6 SP No.1	BOT CHORD Rigid ceiling directly applied or 10-0-0 oc bracing.
WEBS 2x4 SP No.2	
OTHERS 2x6 SP No.1	

**REACTIONS.** (size) 2=0-3-0, 5=0-3-8  
 Max Horz 2=74(LC 8)  
 Max Uplift 2=150(LC 8), 5=127(LC 8)  
 Max Grav 2=375(LC 1), 5=314(LC 1)

**FORCES.** (lb) - Max. Comp./Max. Ten. - All forces 250 (lb) or less except when shown.

- NOTES-**
- 1) Wind: ASCE 7-10; Vult=130mph Vasd=103mph; TCDL=6.0psf; BCDL=6.0psf; h=15ft; Cat. II; Exp C; Enclosed; MWFRS (envelope) and C-C Exterior(2) -0-11-0 to 3-5-13, Interior(1) 3-5-13 to 8-0-0 zone; porch left exposed; C-C for members and forces & MWFRS for reactions shown; Lumber DOL=1.60 plate grip DOL=1.60
  - 2) This truss has been designed for a 10.0 psf bottom chord live load nonconcurrent with any other live loads.
  - 3) \* This truss has been designed for a live load of 30.0psf on the bottom chord in all areas where a rectangle 3-6-0 tall by 2-0-0 wide will fit between the bottom chord and any other members.
  - 4) Provide mechanical connection (by others) of truss to bearing plate capable of withstanding 100 lb uplift at joint(s) except (jt=lb) 2=150, 5=127.



December 6, 2024

Job	Truss	Truss Type	Qty	Ply	Lot 2 Maple Hill	170024560
J1124-6266	C1GE	GABLE	2	1	Job Reference (optional)	

Comtech, Inc. Fayetteville, NC - 28314,

8.530 s Aug 2 2023 MiTek Industries, Inc. Thu Dec 5 16:11:49 2024 Page 1

ID:1yUksKymplk2404ufZYCrxyoKUD-Dhrptq8L\_VaLQO1\_H?FU7wYIF08zriGlpPqK4OyBz7O

-0-11-0  
0-11-0

8-0-0  
8-0-0

Scale = 1:17.6

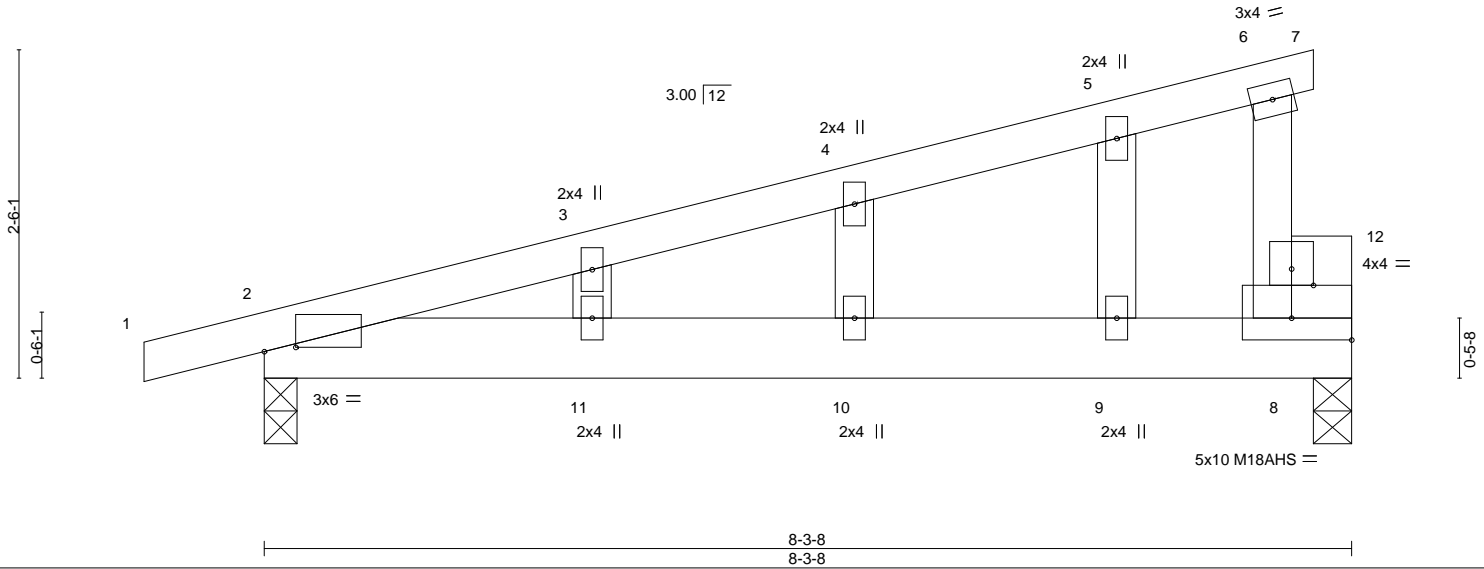


Plate Offsets (X,Y)--	[2:0-2-14,0-0-6], [8:Edge,0-2-0], [12:0-2-0,0-1-8]
-----------------------	--

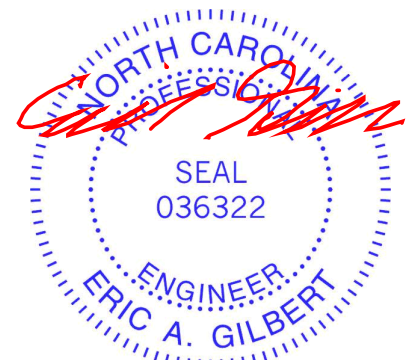
LOADING (psf)	SPACING-	2-0-0	CSI.	DEFL.	in (loc)	l/defl	L/d	PLATES	GRIP
TCLL 20.0	Plate Grip DOL	1.15	TC 0.35	Vert(LL)	0.09 10-11	>999	240	MT20	244/190
TCDL 10.0	Lumber DOL	1.15	BC 0.26	Vert(CT)	-0.08 10-11	>999	240	M18AHS	186/179
BCLL 0.0 *	Rep Stress Incr	YES	WB 0.01	Horz(CT)	-0.00 8	n/a	n/a		
BCDL 10.0	Code IRC2015/TPI2014		Matrix-S						
								Weight: 41 lb	FT = 20%

LUMBER-	BRACING-
TOP CHORD 2x4 SP No.1	TOP CHORD Structural wood sheathing directly applied or 6-0-0 oc purlins, except end verticals.
BOT CHORD 2x6 SP No.1	BOT CHORD Rigid ceiling directly applied or 10-0-0 oc bracing.
WEBS 2x4 SP No.2	
OTHERS 2x4 SP No.2 *Except*	
8-12: 2x6 SP No.1	

**REACTIONS.** (size) 2=0-3-0, 8=0-3-8  
 Max Horz 2=105(LC 8)  
 Max Uplift 2=-216(LC 8), 8=-188(LC 8)  
 Max Grav 2=375(LC 1), 8=314(LC 1)

**FORCES.** (lb) - Max. Comp./Max. Ten. - All forces 250 (lb) or less except when shown.  
 BOT CHORD 2-11=-284/207, 10-11=-284/207, 9-10=-284/207, 8-9=-284/207

- NOTES-**
- 1) Wind: ASCE 7-10; Vult=130mph Vasd=103mph; TCDL=6.0psf; BCDL=6.0psf; h=15ft; Cat. II; Exp C; Enclosed; MWFRS (envelope) gable end zone and C-C Exterior(2) zone; porch left exposed;C-C for members and forces & MWFRS for reactions shown; Lumber DOL=1.60 plate grip DOL=1.60
  - 2) Truss designed for wind loads in the plane of the truss only. For studs exposed to wind (normal to the face), see Standard Industry Gable End Details as applicable, or consult qualified building designer as per ANSI/TPI 1.
  - 3) All plates are MT20 plates unless otherwise indicated.
  - 4) Gable studs spaced at 2-0-0 oc.
  - 5) This truss has been designed for a 10.0 psf bottom chord live load nonconcurrent with any other live loads.
  - 6) \* This truss has been designed for a live load of 30.0psf on the bottom chord in all areas where a rectangle 3-6-0 tall by 2-0-0 wide will fit between the bottom chord and any other members.
  - 7) Provide mechanical connection (by others) of truss to bearing plate capable of withstanding 100 lb uplift at joint(s) except (jt=lb) 2=216, 8=188.



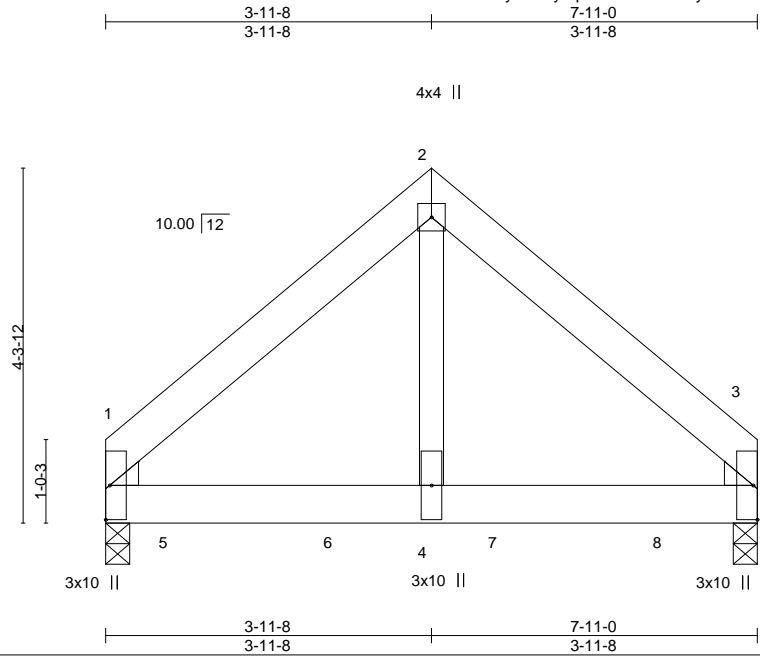
December 6, 2024

Job J1124-6266	Truss D1-GR	Truss Type Common Girder	Qty 1	Ply 2	Lot 2 Maple Hill Job Reference (optional)	170024561
-------------------	----------------	-----------------------------	----------	----------	--	-----------

Comtech, Inc. Fayetteville, NC - 28314,

8.530 s Aug 2 2023 MiTek Industries, Inc. Thu Dec 5 16:11:50 2024 Page 1

ID:1yUksKypmk2404ufZYCrxyoKUD-htPB4A8\_lpiC2YcAqimjf75TVoQOa3jS23atdqyBz7N



Scale = 1:28.0

LOADING (psf)	SPACING-	2-0-0	CSI.	DEFL.	in (loc)	l/defl	L/d	PLATES	GRIP
TCLL 20.0	Plate Grip DOL	1.15	TC 0.38	Vert(LL)	-0.02 3-4	>999	360	MT20	244/190
TCDL 10.0	Lumber DOL	1.15	BC 0.57	Vert(CT)	-0.04 3-4	>999	240		
BCLL 0.0 *	Rep Stress Incr	NO	WB 0.39	Horz(CT)	0.01 3	n/a	n/a		
BCDL 10.0	Code IRC2015/TPI2014		Matrix-P	Wind(LL)	0.01 3-4	>999	240		
								Weight: 100 lb	FT = 20%

**LUMBER-**

TOP CHORD 2x6 SP No.1  
 BOT CHORD 2x6 SP No.1  
 WEBS 2x4 SP No.2

WEDGE  
 Left: 2x4 SP No.2, Right: 2x4 SP No.2

**BRACING-**

TOP CHORD Structural wood sheathing directly applied or 6-0-0 oc purlins.  
 BOT CHORD Rigid ceiling directly applied or 10-0-0 oc bracing.

**REACTIONS.**

(size) 1=0-3-8, 3=0-3-8  
 Max Horz 1=91(LC 24)  
 Max Uplift 1=-191(LC 8), 3=-180(LC 9)  
 Max Grav 1=2919(LC 1), 3=2779(LC 2)

**FORCES.** (lb) - Max. Comp./Max. Ten. - All forces 250 (lb) or less except when shown.

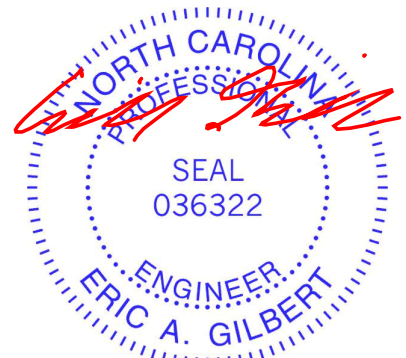
TOP CHORD 1-2=-2418/177, 2-3=-2418/177  
 BOT CHORD 1-4=-100/1678, 3-4=-100/1678  
 WEBS 2-4=-154/3142

**NOTES-**

- 2-ply truss to be connected together with 10d (0.131"x3") nails as follows:  
 Top chords connected as follows: 2x6 - 2 rows staggered at 0-9-0 oc.  
 Bottom chords connected as follows: 2x6 - 2 rows staggered at 0-6-0 oc.  
 Webs connected as follows: 2x4 - 1 row at 0-9-0 oc.
- All loads are considered equally applied to all plies, except if noted as front (F) or back (B) face in the LOAD CASE(S) section. Ply to ply connections have been provided to distribute only loads noted as (F) or (B), unless otherwise indicated.
- Unbalanced roof live loads have been considered for this design.
- Wind: ASCE 7-10; Vult=130mph Vasd=103mph; TCDL=6.0psf; BCDL=6.0psf; h=15ft; Cat. II; Exp C; Enclosed; MWFRS (envelope); Lumber DOL=1.60 plate grip DOL=1.60
- This truss has been designed for a 10.0 psf bottom chord live load nonconcurrent with any other live loads.
- \* This truss has been designed for a live load of 30.0psf on the bottom chord in all areas where a rectangle 3-6-0 tall by 2-0-0 wide will fit between the bottom chord and any other members.
- Provide mechanical connection (by others) of truss to bearing plate capable of withstanding 100 lb uplift at joint(s) except (jt=lb) 1=191, 3=180.
- Hanger(s) or other connection device(s) shall be provided sufficient to support concentrated load(s) 1261 lb down and 93 lb up at 0-9-12, 1258 lb down and 96 lb up at 2-9-12, and 1325 lb down and 96 lb up at 4-9-12, and 1325 lb down and 96 lb up at 6-9-12 on bottom chord. The design/selection of such connection device(s) is the responsibility of others.

**LOAD CASE(S)** Standard

- Dead + Roof Live (balanced): Lumber Increase=1.15, Plate Increase=1.15  
 Uniform Loads (plf)  
 Vert: 1-2=-60, 2-3=-60, 1-3=-20



December 6, 2024

Continued on page 2

**WARNING - Verify design parameters and READ NOTES ON THIS AND INCLUDED MITEK REFERENCE PAGE MII-7473 rev. 1/2/2023 BEFORE USE.**

Design valid for use only with MiTek® connectors. This design is based only upon parameters shown, and is for an individual building component, not a truss system. Before use, the building designer must verify the applicability of design parameters and properly incorporate this design into the overall building design. Bracing indicated is to prevent buckling of individual truss web and/or chord members only. Additional temporary and permanent bracing is always required for stability and to prevent collapse with possible personal injury and property damage. For general guidance regarding the fabrication, storage, delivery, erection and bracing of trusses and truss systems, see **ANSI/TPH Quality Criteria and DSB-22** available from Truss Plate Institute (www.tpinst.org) and **BCSI Building Component Safety Information** available from the Structural Building Component Association (www.sbcacomponents.com)



818 Soundside Road  
 Edenton, NC 27932

Job J1124-6266	Truss D1-GR	Truss Type Common Girder	Qty 1	Ply <b>2</b>	Lot 2 Maple Hill Job Reference (optional)	170024561
-------------------	----------------	-----------------------------	----------	-----------------	--	-----------

Comtech, Inc. Fayetteville, NC - 28314,

8.530 s Aug 2 2023 MiTek Industries, Inc. Thu Dec 5 16:11:50 2024 Page 2  
ID:1yUksKypmk2404ufZYCrxyoKUD-htPB4A8\_lpiC2YcAqimjf75TVoQOa3jS23atdqyBz7N

**LOAD CASE(S)** Standard

Concentrated Loads (lb)

Vert: 5=-1261(B) 6=-1258(B) 7=-1258(B) 8=-1258(B)

**WARNING - Verify design parameters and READ NOTES ON THIS AND INCLUDED MITEK REFERENCE PAGE MII-7473 rev. 1/2/2023 BEFORE USE.**

Design valid for use only with MiTek® connectors. This design is based only upon parameters shown, and is for an individual building component, not a truss system. Before use, the building designer must verify the applicability of design parameters and properly incorporate this design into the overall building design. Bracing indicated is to prevent buckling of individual truss web and/or chord members only. Additional temporary and permanent bracing is always required for stability and to prevent collapse with possible personal injury and property damage. For general guidance regarding the fabrication, storage, delivery, erection and bracing of trusses and truss systems, see **ANSI/TP1 Quality Criteria and DSB-22** available from Truss Plate Institute ([www.tpinst.org](http://www.tpinst.org)) and **BCSI Building Component Safety Information** available from the Structural Building Component Association ([www.sbcacomponents.com](http://www.sbcacomponents.com))



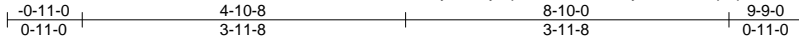
818 Soundside Road  
Edenton, NC 27932

Job J1124-6266	Truss D1GE	Truss Type COMMON SUPPORTED GAB	Qty 1	Ply 1	Lot 2 Maple Hill Job Reference (optional)	170024562
-------------------	---------------	------------------------------------	----------	----------	--	-----------

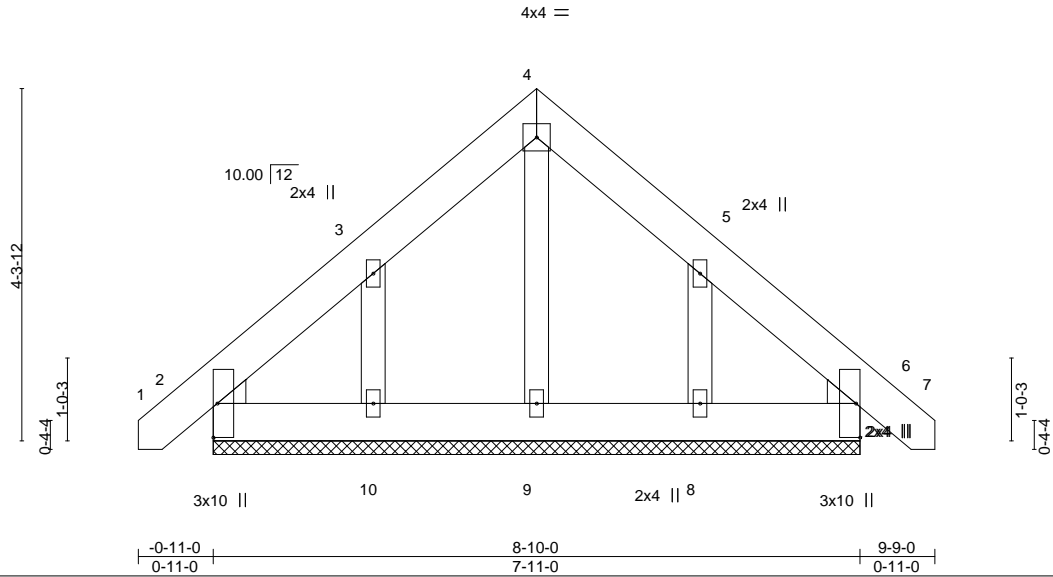
Comtech, Inc. Fayetteville, NC - 28314,

8.530 s Aug 2 2023 MiTek Industries, Inc. Thu Dec 5 16:11:49 2024 Page 1

ID:1yUksKymplk2404ufZYCrxyoKUD-Dhrpq8L\_ValLQO1\_H?FU7wYNMOCpri\_ipPqK4OyBz7O



Scale = 1:28.2



LOADING (psf)	SPACING-	2-0-0	CSI.	DEFL.	in (loc)	l/defl	L/d	PLATES	GRIP
TCLL 20.0	Plate Grip DOL	1.15	TC 0.02	Vert(LL)	0.00	6	n/r	MT20	244/190
BCDL 10.0	Lumber DOL	1.15	BC 0.01	Vert(CT)	0.00	6	n/r		
BCLL 0.0 *	Rep Stress Incr	YES	WB 0.03	Horz(CT)	0.00	6	n/a		
BCDL 10.0	Code IRC2015/TPI2014		Matrix-P					Weight: 60 lb	FT = 20%

**LUMBER-**  
 TOP CHORD 2x6 SP No.1  
 BOT CHORD 2x6 SP No.1  
 OTHERS 2x4 SP No.2  
 WEDGE  
 Left: 2x4 SP No.2 , Right: 2x4 SP No.2

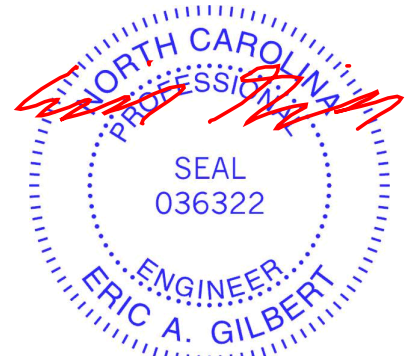
**BRACING-**  
 TOP CHORD Structural wood sheathing directly applied or 6-0-0 oc purlins.  
 BOT CHORD Rigid ceiling directly applied or 10-0-0 oc bracing.

**REACTIONS.** All bearings 7-11-0.  
 (lb) - Max Horz 2=118(LC 10)  
 Max Uplift All uplift 100 lb or less at joint(s) 2, 6 except 10=152(LC 12), 8=148(LC 13)  
 Max Grav All reactions 250 lb or less at joint(s) 2, 6, 9, 10, 8

**FORCES.** (lb) - Max. Comp./Max. Ten. - All forces 250 (lb) or less except when shown.

**NOTES-**

- Unbalanced roof live loads have been considered for this design.
- Wind: ASCE 7-10; Vult=130mph Vasd=103mph; TC DL=6.0psf; BCDL=6.0psf; h=15ft; Cat. II; Exp C; Enclosed; MWFRS (envelope) gable end zone and C-C Exterior(2) zone; C-C for members and forces & MWFRS for reactions shown; Lumber DOL=1.60 plate grip DOL=1.60
- Truss designed for wind loads in the plane of the truss only. For studs exposed to wind (normal to the face), see Standard Industry Gable End Details as applicable, or consult qualified building designer as per ANSI/TPI 1.
- Gable requires continuous bottom chord bearing.
- Gable studs spaced at 2-0-0 oc.
- This truss has been designed for a 10.0 psf bottom chord live load nonconcurrent with any other live loads.
- \* This truss has been designed for a live load of 30.0psf on the bottom chord in all areas where a rectangle 3-6-0 tall by 2-0-0 wide will fit between the bottom chord and any other members.
- Provide mechanical connection (by others) of truss to bearing plate capable of withstanding 100 lb uplift at joint(s) 2, 6 except (jt=lb) 10=152, 8=148.
- See Standard Industry Piggyback Truss Connection Detail for Connection to base truss as applicable, or consult qualified building designer.



December 6, 2024

**WARNING - Verify design parameters and READ NOTES ON THIS AND INCLUDED MITEK REFERENCE PAGE MII-7473 rev. 1/2/2023 BEFORE USE.**

Design valid for use only with MiTek® connectors. This design is based only upon parameters shown, and is for an individual building component, not a truss system. Before use, the building designer must verify the applicability of design parameters and properly incorporate this design into the overall building design. Bracing indicated is to prevent buckling of individual truss web and/or chord members only. Additional temporary and permanent bracing is always required for stability and to prevent collapse with possible personal injury and property damage. For general guidance regarding the fabrication, storage, delivery, erection and bracing of trusses and truss systems, see **ANSI/TPH Quality Criteria and DSB-22** available from Truss Plate Institute (www.tpinst.org) and **BCSI Building Component Safety Information** available from the Structural Building Component Association (www.sbcacomponents.com)



818 Soundside Road  
 Edenton, NC 27932

Job J1124-6266	Truss M1	Truss Type MONOPIITCH	Qty 4	Ply 1	Lot 2 Maple Hill	170024563
-------------------	-------------	--------------------------	----------	----------	------------------	-----------

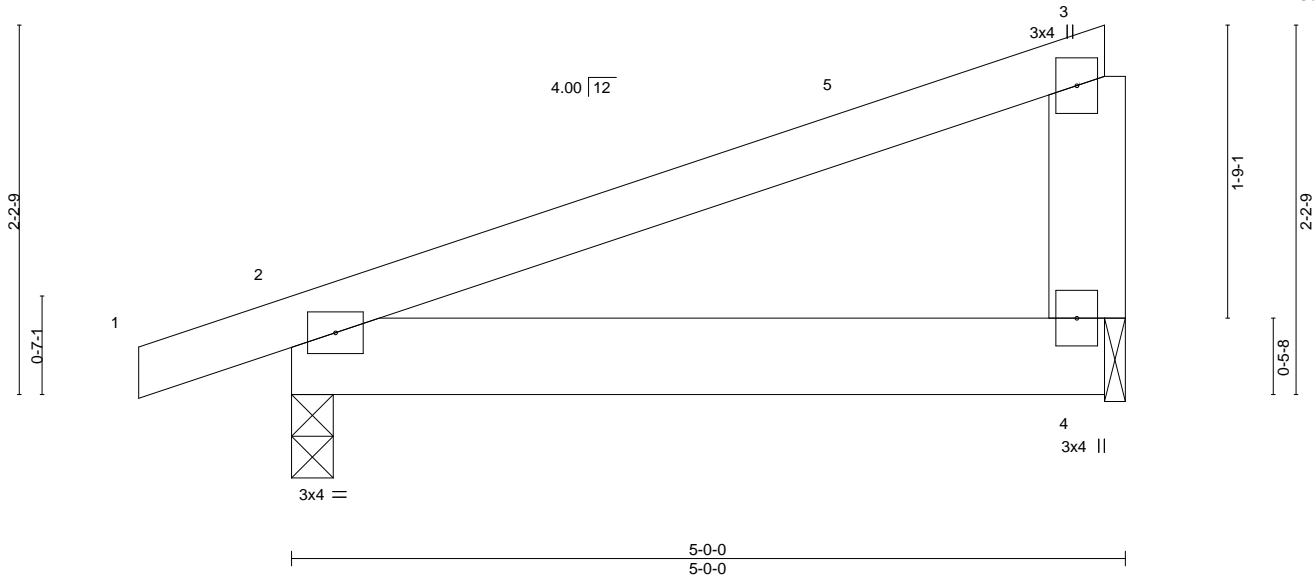
Comtech, Inc. Fayetteville, NC - 28314,

8.530 s Aug 2 2023 MiTek Industries, Inc. Thu Dec 5 16:11:50 2024 Page 1

ID:1yUksKymplk2404ufZYCrxyoKUD-htPB4A8\_lpic2YcAqimjf75U7oXxa9kS23atdqyBz7N



Scale = 1:13.8



LOADING (psf)	SPACING-	2-0-0	CSI.	DEFL.	in (loc)	l/defl	L/d	PLATES	GRIP
TCLL 20.0	Plate Grip DOL	1.15	TC 0.28	Vert(LL)	-0.01 2-4	>999	360	MT20	244/190
TCDL 10.0	Lumber DOL	1.15	BC 0.08	Vert(CT)	-0.01 2-4	>999	240		
BCLL 0.0 *	Rep Stress Incr	YES	WB 0.00	Horz(CT)	0.00	n/a	n/a		
BCDL 10.0	Code IRC2015/TPI2014		Matrix-P	Wind(LL)	0.01 2-4	>999	240	Weight: 24 lb	FT = 20%

**LUMBER-**  
 TOP CHORD 2x4 SP No.1  
 BOT CHORD 2x6 SP No.1  
 WEBS 2x6 SP No.1

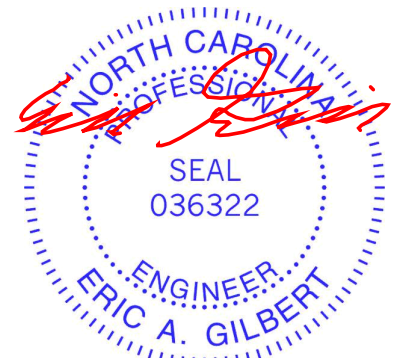
**BRACING-**  
 TOP CHORD Structural wood sheathing directly applied or 5-0-0 oc purlins, except end verticals.  
 BOT CHORD Rigid ceiling directly applied or 10-0-0 oc bracing.

**REACTIONS.** (size) 2=0-3-0, 4=0-1-8  
 Max Horz 2=63(LC 8)  
 Max Uplift 2=-102(LC 8), 4=-79(LC 8)  
 Max Grav 2=255(LC 1), 4=179(LC 1)

**FORCES.** (lb) - Max. Comp./Max. Ten. - All forces 250 (lb) or less except when shown.

**NOTES-**

- 1) Wind: ASCE 7-10; Vult=130mph Vasd=103mph; TCDL=6.0psf; BCDL=6.0psf; h=15ft; Cat. II; Exp C; Enclosed; MWFRS (envelope) and C-C Exterior(2) -0-11-0 to 3-5-13, Interior(1) 3-5-13 to 4-9-4 zone; porch left exposed; C-C for members and forces & MWFRS for reactions shown; Lumber DOL=1.60 plate grip DOL=1.60
- 2) This truss has been designed for a 10.0 psf bottom chord live load nonconcurrent with any other live loads.
- 3) \* This truss has been designed for a live load of 30.0psf on the bottom chord in all areas where a rectangle 3-6-0 tall by 2-0-0 wide will fit between the bottom chord and any other members.
- 4) Bearing at joint(s) 4 considers parallel to grain value using ANSI/TPI 1 angle to grain formula. Building designer should verify capacity of bearing surface.
- 5) Provide mechanical connection (by others) of truss to bearing plate at joint(s) 4.
- 6) Provide mechanical connection (by others) of truss to bearing plate capable of withstanding 100 lb uplift at joint(s) 4 except (jt=lb) 2=102.



December 6, 2024

**WARNING - Verify design parameters and READ NOTES ON THIS AND INCLUDED MITEK REFERENCE PAGE MII-7473 rev. 1/2/2023 BEFORE USE.**

Design valid for use only with MiTek® connectors. This design is based only upon parameters shown, and is for an individual building component, not a truss system. Before use, the building designer must verify the applicability of design parameters and properly incorporate this design into the overall building design. Bracing indicated is to prevent buckling of individual truss web and/or chord members only. Additional temporary and permanent bracing is always required for stability and to prevent collapse with possible personal injury and property damage. For general guidance regarding the fabrication, storage, delivery, erection and bracing of trusses and truss systems, see **ANSI/TPI1 Quality Criteria and DSB-22** available from Truss Plate Institute (www.tpinst.org) and **BCSI Building Component Safety Information** available from the Structural Building Component Association (www.sbcacomponents.com)



818 Soundside Road  
 Edenton, NC 27932

Job J1124-6266	Truss M1GE	Truss Type GABLE	Qty 1	Ply 1	Lot 2 Maple Hill Job Reference (optional)	170024564
-------------------	---------------	---------------------	----------	----------	--	-----------

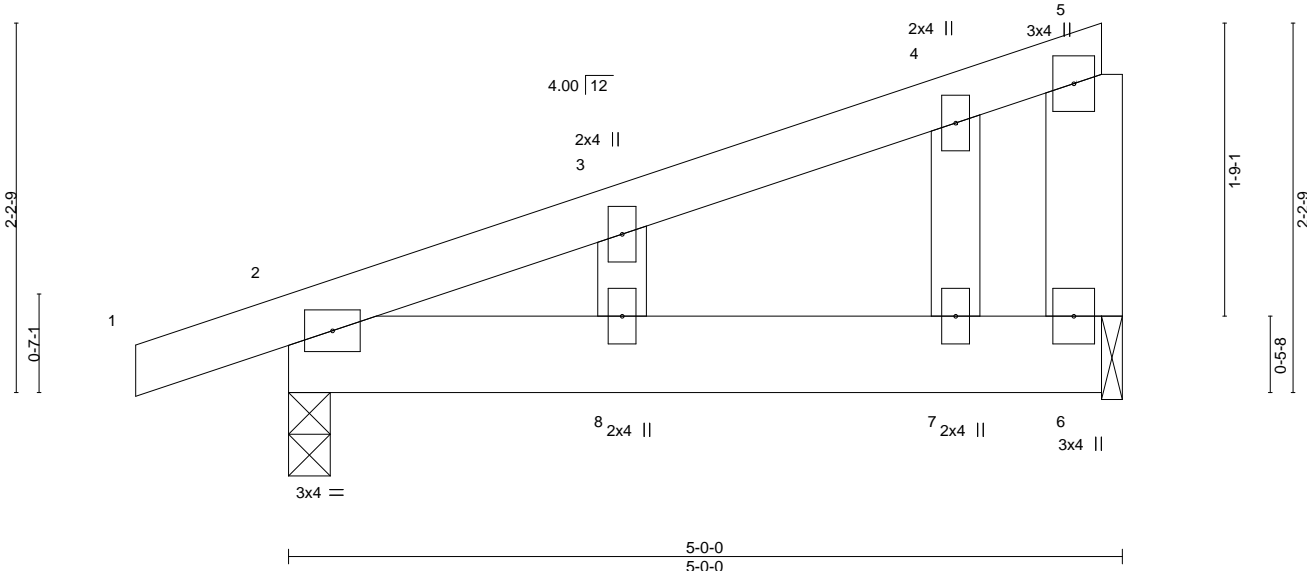
Comtech, Inc. Fayetteville, NC - 28314,

8.530 s Aug 2 2023 MiTek Industries, Inc. Thu Dec 5 16:11:51 2024 Page 1

ID:1yUksKymplk2404ufZYCrxyoKUD-94zaIW9cW7q3ghBNOQHCLdinCs?JclbHjJQ9HyBz7M



Scale = 1:13.8



LOADING (psf)	SPACING-	2-0-0	CSI.	DEFL.	in (loc)	l/defl	L/d	PLATES	GRIP
TCLL 20.0	Plate Grip DOL	1.15	TC 0.09	Vert(LL)	0.01	8	>999	MT20	244/190
TCDL 10.0	Lumber DOL	1.15	BC 0.09	Vert(CT)	-0.01	8	>999		
BCLL 0.0 *	Rep Stress Incr	YES	WB 0.02	Horz(CT)	-0.00	6	n/a		
BCDL 10.0	Code IRC2015/TPI2014		Matrix-S					Weight: 27 lb	FT = 20%

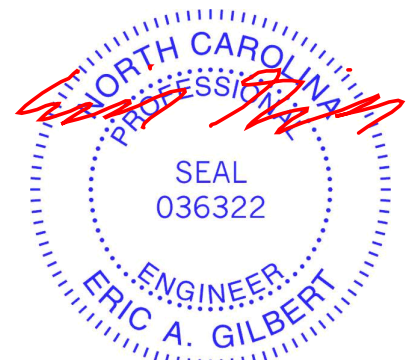
LUMBER-	BRACING-
TOP CHORD 2x4 SP No.1	TOP CHORD Structural wood sheathing directly applied or 5-0-0 oc purlins, except end verticals.
BOT CHORD 2x6 SP No.1	BOT CHORD Rigid ceiling directly applied or 10-0-0 oc bracing.
WEBS 2x6 SP No.1	
OTHERS 2x4 SP No.2	

**REACTIONS.** (size) 2=0-3-0, 6=0-1-8  
 Max Horz 2=90(LC 8)  
 Max Uplift 2=-147(LC 8), 6=-115(LC 8)  
 Max Grav 2=255(LC 1), 6=179(LC 1)

**FORCES.** (lb) - Max. Comp./Max. Ten. - All forces 250 (lb) or less except when shown.

**NOTES-**

- 1) Wind: ASCE 7-10; Vult=130mph Vasd=103mph; TCCL=6.0psf; BCDL=6.0psf; h=15ft; Cat. II; Exp C; Enclosed; MWFRS (envelope) gable end zone and C-C Exterior(2) zone; porch left exposed; C-C for members and forces & MWFRS for reactions shown; Lumber DOL=1.60 plate grip DOL=1.60
- 2) Truss designed for wind loads in the plane of the truss only. For studs exposed to wind (normal to the face), see Standard Industry Gable End Details as applicable, or consult qualified building designer as per ANSI/TPI 1.
- 3) Gable studs spaced at 2-0-0 oc.
- 4) This truss has been designed for a 10.0 psf bottom chord live load nonconcurrent with any other live loads.
- 5) \* This truss has been designed for a live load of 30.0psf on the bottom chord in all areas where a rectangle 3-6-0 tall by 2-0-0 wide will fit between the bottom chord and any other members.
- 6) Bearing at joint(s) 6 considers parallel to grain value using ANSI/TPI 1 angle to grain formula. Building designer should verify capacity of bearing surface.
- 7) Provide mechanical connection (by others) of truss to bearing plate at joint(s) 6.
- 8) Provide mechanical connection (by others) of truss to bearing plate capable of withstanding 100 lb uplift at joint(s) except (jt=lb) 2=147, 6=115.



December 6, 2024

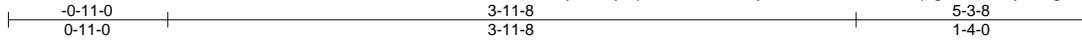


Job J1124-6266	Truss M2	Truss Type Half Hip	Qty 3	Ply 1	Lot 2 Maple Hill Job Reference (optional)	170024565
-------------------	-------------	------------------------	----------	----------	--	-----------

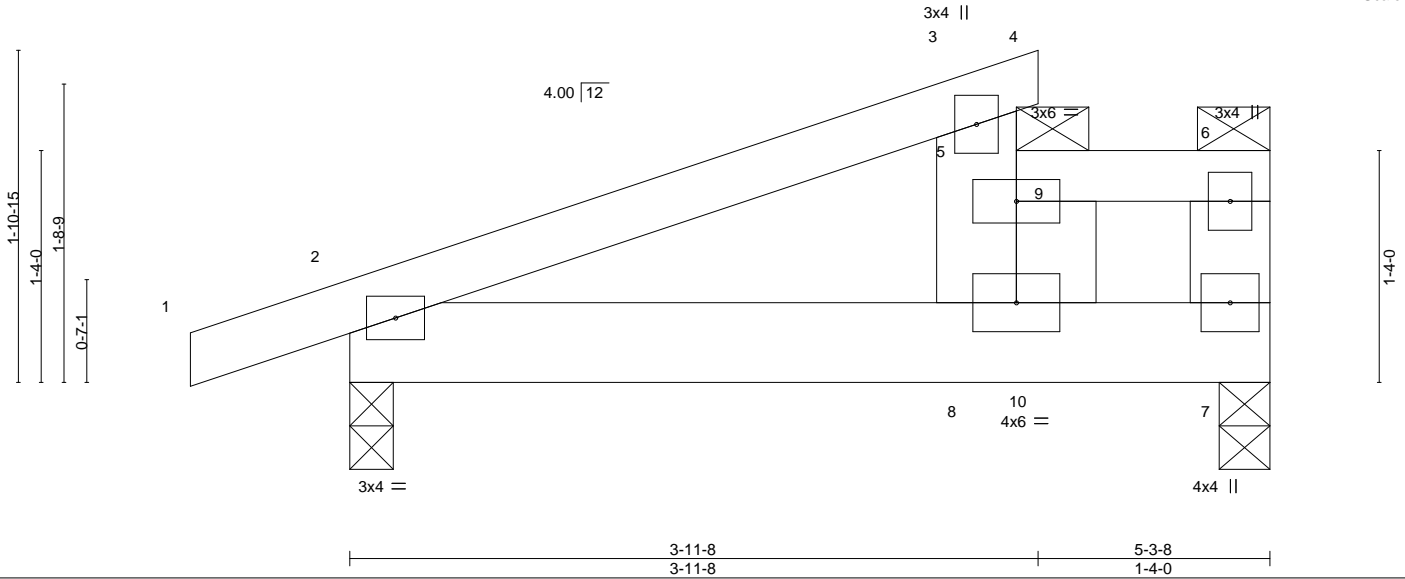
Comtech, Inc. Fayetteville, NC - 28314,

8.530 s Aug 2 2023 MiTek Industries, Inc. Thu Dec 5 16:11:51 2024 Page 1

ID:1yUksKymplk2404ufZYCrxyoKUD-94zaIW9cW7q3ghBNOQHyclDgRCqJc\_bHjJQ9HyBz7M



Scale = 1:13.3



LOADING (psf)	SPACING-	2-0-0	CSI.	DEFL.	in (loc)	l/defl	L/d	PLATES	GRIP
TCLL 20.0	Plate Grip DOL	1.15	TC 0.24	Vert(LL)	-0.00	8	>999	MT20	244/190
TCDL 10.0	Lumber DOL	1.15	BC 0.24	Vert(CT)	-0.01	8	>999		
BCLL 0.0 *	Rep Stress Incr	NO	WB 0.00	Horz(CT)	-0.00	7	n/a		
BCDL 10.0	Code IRC2015/TPI2014		Matrix-R	Wind(LL)	0.02	8	>999	Weight: 28 lb	FT = 20%

**LUMBER-**  
 TOP CHORD 2x4 SP No.1  
 BOT CHORD 2x6 SP No.1  
 WEBS 2x6 SP No.1

**BRACING-**  
 TOP CHORD Structural wood sheathing directly applied or 5-3-8 oc purlins, except end verticals, and 2-0-0 oc purlins: 3-8, 5-6. Except: 10-0-0 oc bracing: 3-5  
 BOT CHORD Rigid ceiling directly applied or 10-0-0 oc bracing.

**REACTIONS.** (size) 7=0-3-8, 2=0-3-0  
 Max Horz 2=69(LC 12)  
 Max Uplift 7=-173(LC 8), 2=-138(LC 8)  
 Max Grav 7=561(LC 19), 2=349(LC 1)

**FORCES.** (lb) - Max. Comp./Max. Ten. - All forces 250 (lb) or less except when shown.  
 TOP CHORD 2-3=-425/505, 5-8=-279/265, 5-6=-233/338, 6-7=-292/309  
 BOT CHORD 2-8=-546/359, 7-8=-338/233

**NOTES-**

- Unbalanced roof live loads have been considered for this design.
- Wind: ASCE 7-10; Vult=130mph Vasd=103mph; TCCL=6.0psf; BCDL=6.0psf; h=15ft; Cat. II; Exp C; Enclosed; MWFRS (envelope) and C-C Exterior(2) -0-11-0 to 3-7-4, Interior(1) 3-7-4 to 5-0-12 zone; porch left exposed; C-C for members and forces & MWFRS for reactions shown; Lumber DOL=1.60 plate grip DOL=1.60
- Provide adequate drainage to prevent water ponding.
- This truss has been designed for a 10.0 psf bottom chord live load nonconcurrent with any other live loads.
- \* This truss has been designed for a live load of 30.0psf on the bottom chord in all areas where a rectangle 3-6-0 tall by 2-0-0 wide will fit between the bottom chord and any other members.
- Provide mechanical connection (by others) of truss to bearing plate capable of withstanding 100 lb uplift at joint(s) except (jt=lb) 7=173, 2=138.
- Load case(s) 1, 2, 3, 4, 5, 6, 7, 8, 9, 10, 11, 12, 13, 14, 15, 16, 17, 18, 19, 20, 21, 22, 23, 24, 25, 26 has/have been modified. Building designer must review loads to verify that they are correct for the intended use of this truss.
- Graphical purlin representation does not depict the size or the orientation of the purlin along the top and/or bottom chord.
- Hanger(s) or other connection device(s) shall be provided sufficient to support concentrated load(s). The design/selection of such connection device(s) is the responsibility of others.

**LOAD CASE(S)** Standard

- Dead + Roof Live (balanced): Lumber Increase=1.15, Plate Increase=1.15  
 Uniform Loads (plf)  
 Vert: 1-3=-60, 3-4=-60, 5-9=-40, 6-9=-80, 2-7=-20  
 Concentrated Loads (lb)  
 Vert: 9=400
- Dead + 0.75 Roof Live (balanced): Lumber Increase=1.15, Plate Increase=1.15  
 Uniform Loads (plf)  
 Vert: 1-3=-50, 3-4=-50, 5-9=-100, 6-9=-130, 2-7=-20



December 6, 2024

Continued on page 2

**WARNING - Verify design parameters and READ NOTES ON THIS AND INCLUDED MITEK REFERENCE PAGE MII-7473 rev. 1/2/2023 BEFORE USE.**

Design valid for use only with MiTek® connectors. This design is based only upon parameters shown, and is for an individual building component, not a truss system. Before use, the building designer must verify the applicability of design parameters and properly incorporate this design into the overall building design. Bracing indicated is to prevent buckling of individual truss web and/or chord members only. Additional temporary and permanent bracing is always required for stability and to prevent collapse with possible personal injury and property damage. For general guidance regarding the fabrication, storage, delivery, erection and bracing of trusses and truss systems, see **ANSI/TP1 Quality Criteria and DSB-22** available from Truss Plate Institute (www.tpinst.org) and **BCSI Building Component Safety Information** available from the Structural Building Component Association (www.sbcacomponents.com)



818 Soundside Road  
 Edenton, NC 27932

Job	Truss	Truss Type	Qty	Ply	Lot 2 Maple Hill	170024565
J1124-6266	M2	Half Hip	3	1	Job Reference (optional)	

Comtech, Inc. Fayetteville, NC - 28314,

8.530 s Aug 2 2023 MiTek Industries, Inc. Thu Dec 5 16:11:51 2024 Page 2  
 ID:1yUksKymplk2404ufZYCrxyoKUD-94zaIW9cW7q3ghBNOQHCLDgRCqJc\_bHjJQ9HyBz7M

**LOAD CASE(S)** Standard

- Concentrated Loads (lb)  
Vert: 9=-350
- 3) Dead + Uninhabitable Attic Without Storage: Lumber Increase=1.25, Plate Increase=1.25  
Uniform Loads (plf)  
Vert: 1-3=-20, 3-4=-20, 5-6=-40, 2-7=-40  
Concentrated Loads (lb)  
Vert: 9=300
- 4) Dead + 0.6 C-C Wind (Pos. Internal) Case 1: Lumber Increase=1.60, Plate Increase=1.60  
Uniform Loads (plf)  
Vert: 1-2=70, 2-3=58, 3-4=153, 5-6=12, 2-8=52, 8-10=115, 7-10=52  
Horz: 1-2=-82, 2-3=-70, 3-4=-165, 3-5=-55  
Concentrated Loads (lb)  
Vert: 9=548
- 5) Dead + 0.6 C-C Wind (Pos. Internal) Case 2: Lumber Increase=1.60, Plate Increase=1.60  
Uniform Loads (plf)  
Vert: 1-2=51, 2-3=58, 3-4=51, 5-6=42, 2-8=52, 8-10=115, 7-10=52  
Horz: 1-2=-63, 2-3=-70, 3-4=-63, 3-5=-55  
Concentrated Loads (lb)  
Vert: 9=566
- 6) Dead + 0.6 C-C Wind (Neg. Internal) Case 1: Lumber Increase=1.60, Plate Increase=1.60  
Uniform Loads (plf)  
Vert: 1-2=-1, 2-3=-45, 3-4=17, 5-6=-58, 2-8=-9, 8-10=2, 7-10=-9  
Horz: 1-2=-19, 2-3=25, 3-4=-37, 3-5=51  
Concentrated Loads (lb)  
Vert: 9=420
- 7) Dead + 0.6 C-C Wind (Neg. Internal) Case 2: Lumber Increase=1.60, Plate Increase=1.60  
Uniform Loads (plf)  
Vert: 1-2=-39, 2-3=-45, 3-4=-39, 5-6=-58, 2-8=-9, 8-10=2, 7-10=-9  
Horz: 1-2=19, 2-3=25, 3-4=19, 3-5=51  
Concentrated Loads (lb)  
Vert: 9=420
- 8) Dead + 0.6 MWFRS Wind (Pos. Internal) Left: Lumber Increase=1.60, Plate Increase=1.60  
Uniform Loads (plf)  
Vert: 1-2=36, 2-3=21, 3-4=14, 5-6=-11, 2-8=10, 8-10=33, 7-10=10  
Horz: 1-2=-48, 2-3=-33, 3-4=-26, 3-5=7  
Concentrated Loads (lb)  
Vert: 9=154
- 9) Dead + 0.6 MWFRS Wind (Pos. Internal) Right: Lumber Increase=1.60, Plate Increase=1.60  
Uniform Loads (plf)  
Vert: 1-2=6, 2-3=12, 3-4=28, 5-6=1, 2-7=-12  
Horz: 1-2=-18, 2-3=-24, 3-4=-40, 3-5=-27  
Concentrated Loads (lb)  
Vert: 9=43
- 10) Dead + 0.6 MWFRS Wind (Neg. Internal) Left: Lumber Increase=1.60, Plate Increase=1.60  
Uniform Loads (plf)  
Vert: 1-2=6, 2-3=-1, 3-4=6, 5-6=-33, 2-8=2, 8-10=25, 7-10=2  
Horz: 1-2=-26, 2-3=-19, 3-4=-26, 3-5=34  
Concentrated Loads (lb)  
Vert: 9=-339
- 11) Dead + 0.6 MWFRS Wind (Neg. Internal) Right: Lumber Increase=1.60, Plate Increase=1.60  
Uniform Loads (plf)  
Vert: 1-2=-2, 2-3=-9, 3-4=-2, 5-6=-21, 2-7=-20  
Horz: 1-2=-18, 2-3=-11, 3-4=-18, 3-5=-0  
Concentrated Loads (lb)  
Vert: 9=-234
- 12) Dead + 0.6 MWFRS Wind (Pos. Internal) 1st Parallel: Lumber Increase=1.60, Plate Increase=1.60  
Uniform Loads (plf)  
Vert: 1-2=14, 2-3=21, 3-4=14, 5-6=-11, 2-7=-12  
Horz: 1-2=-26, 2-3=-33, 3-4=-26, 3-5=-39  
Concentrated Loads (lb)  
Vert: 9=43
- 13) Dead + 0.6 MWFRS Wind (Pos. Internal) 2nd Parallel: Lumber Increase=1.60, Plate Increase=1.60  
Uniform Loads (plf)  
Vert: 1-2=2, 2-3=9, 3-4=2, 5-6=1, 2-7=-12  
Horz: 1-2=-14, 2-3=-21, 3-4=-14, 3-5=-27  
Concentrated Loads (lb)  
Vert: 9=43
- 14) Dead + 0.6 MWFRS Wind (Pos. Internal) 3rd Parallel: Lumber Increase=1.60, Plate Increase=1.60  
Uniform Loads (plf)  
Vert: 1-2=14, 2-3=21, 3-4=14, 5-6=-11, 2-7=-12  
Horz: 1-2=-26, 2-3=-33, 3-4=-26, 3-5=-39  
Concentrated Loads (lb)  
Vert: 9=43
- 15) Dead + 0.6 MWFRS Wind (Pos. Internal) 4th Parallel: Lumber Increase=1.60, Plate Increase=1.60

Continued on page 3

**WARNING - Verify design parameters and READ NOTES ON THIS AND INCLUDED MITEK REFERENCE PAGE MII-7473 rev. 1/2/2023 BEFORE USE.**

Design valid for use only with MiTek® connectors. This design is based only upon parameters shown, and is for an individual building component, not a truss system. Before use, the building designer must verify the applicability of design parameters and properly incorporate this design into the overall building design. Bracing indicated is to prevent buckling of individual truss web and/or chord members only. Additional temporary and permanent bracing is always required for stability and to prevent collapse with possible personal injury and property damage. For general guidance regarding the fabrication, storage, delivery, erection and bracing of trusses and truss systems, see **ANSI/TPI1 Quality Criteria and DSB-22** available from Truss Plate Institute ([www.tpinst.org](http://www.tpinst.org)) and **BCSI Building Component Safety Information** available from the Structural Building Component Association ([www.sbcacomponents.com](http://www.sbcacomponents.com))



818 Soundside Road  
Edenton, NC 27932

Job	Truss	Truss Type	Qty	Ply	Lot 2 Maple Hill	170024565
J1124-6266	M2	Half Hip	3	1	Job Reference (optional)	

Comtech, Inc. Fayetteville, NC - 28314,

8.530 s Aug 2 2023 MiTek Industries, Inc. Thu Dec 5 16:11:51 2024 Page 3  
 ID:1yUksKymplk2404ufZYCrxyoKUD-94zaIW9cW7q3ghBNOQHCLDgRCqJc\_bHjJQ9HyBz7M

**LOAD CASE(S)** Standard

- Uniform Loads (plf)
  - Vert: 1-2=2, 2-3=9, 3-4=2, 5-6=1, 2-7=-12
  - Horz: 1-2=-14, 2-3=-21, 3-4=-14, 3-5=-27
- Concentrated Loads (lb)
  - Vert: 9=43
- 16) Dead + 0.6 MWFRS Wind (Neg. Internal) 1st Parallel: Lumber Increase=1.60, Plate Increase=1.60
  - Uniform Loads (plf)
    - Vert: 1-2=6, 2-3=-1, 3-4=6, 5-6=-33, 2-7=-20
    - Horz: 1-2=-26, 2-3=-19, 3-4=-26, 3-5=-12
  - Concentrated Loads (lb)
    - Vert: 9=-234
- 17) Dead + 0.6 MWFRS Wind (Neg. Internal) 2nd Parallel: Lumber Increase=1.60, Plate Increase=1.60
  - Uniform Loads (plf)
    - Vert: 1-2=-6, 2-3=-13, 3-4=-6, 5-6=-21, 2-7=-20
    - Horz: 1-2=-14, 2-3=-7, 3-4=-14, 3-5=0
  - Concentrated Loads (lb)
    - Vert: 9=-234
- 18) Dead: Lumber Increase=0.90, Plate Increase=0.90 Plt. metal=0.90
  - Uniform Loads (plf)
    - Vert: 1-3=-20, 3-4=-20, 5-6=-120, 2-7=-20
  - Concentrated Loads (lb)
    - Vert: 9=200
- 19) Dead + 0.75 Roof Live (bal.) + 0.75 Attic Floor + 0.75(0.6 MWFRS Wind (Neg. Int) Left): Lumber Increase=1.60, Plate Increase=1.60
  - Uniform Loads (plf)
    - Vert: 1-2=-31, 2-3=-36, 3-4=-31, 5-9=-95, 6-9=-125, 2-8=-3, 8-10=13, 7-10=-3
    - Horz: 1-2=-19, 2-3=-14, 3-4=-19, 3-5=26
  - Concentrated Loads (lb)
    - Vert: 9=454
- 20) Dead + 0.75 Roof Live (bal.) + 0.75 Attic Floor + 0.75(0.6 MWFRS Wind (Neg. Int) Right): Lumber Increase=1.60, Plate Increase=1.60
  - Uniform Loads (plf)
    - Vert: 1-2=-37, 2-3=-42, 3-4=-37, 5-9=-86, 6-9=-116, 2-7=-20
    - Horz: 1-2=-13, 2-3=-8, 3-4=-13, 3-5=0
  - Concentrated Loads (lb)
    - Vert: 9=-375
- 21) Dead + 0.75 Roof Live (bal.) + 0.75 Attic Floor + 0.75(0.6 MWFRS Wind (Neg. Int) 1st Parallel): Lumber Increase=1.60, Plate Increase=1.60
  - Uniform Loads (plf)
    - Vert: 1-2=-31, 2-3=-36, 3-4=-31, 5-9=-95, 6-9=-125, 2-7=-20
    - Horz: 1-2=-19, 2-3=-14, 3-4=-19, 3-5=-9
  - Concentrated Loads (lb)
    - Vert: 9=-375
- 22) Dead + 0.75 Roof Live (bal.) + 0.75 Attic Floor + 0.75(0.6 MWFRS Wind (Neg. Int) 2nd Parallel): Lumber Increase=1.60, Plate Increase=1.60
  - Uniform Loads (plf)
    - Vert: 1-2=-40, 2-3=-45, 3-4=-40, 5-9=-86, 6-9=-116, 2-7=-20
    - Horz: 1-2=-10, 2-3=-5, 3-4=-10, 3-5=0
  - Concentrated Loads (lb)
    - Vert: 9=-375
- 23) 1st Dead + Roof Live (unbalanced): Lumber Increase=1.15, Plate Increase=1.15
  - Uniform Loads (plf)
    - Vert: 1-3=-60, 3-4=-60, 5-6=-40, 2-7=-20
  - Concentrated Loads (lb)
    - Vert: 9=-400
- 24) 2nd Dead + Roof Live (unbalanced): Lumber Increase=1.15, Plate Increase=1.15
  - Uniform Loads (plf)
    - Vert: 1-3=-20, 3-4=-20, 5-9=-40, 6-9=-80, 2-7=-20
  - Concentrated Loads (lb)
    - Vert: 9=-400
- 25) 3rd Dead + 0.75 Roof Live (unbalanced): Lumber Increase=1.15, Plate Increase=1.15
  - Uniform Loads (plf)
    - Vert: 1-3=-50, 3-4=-50, 5-6=-100, 2-7=-20
  - Concentrated Loads (lb)
    - Vert: 9=-350
- 26) 4th Dead + 0.75 Roof Live (unbalanced): Lumber Increase=1.15, Plate Increase=1.15
  - Uniform Loads (plf)
    - Vert: 1-3=-20, 3-4=-20, 5-9=-100, 6-9=-130, 2-7=-20
  - Concentrated Loads (lb)
    - Vert: 9=-350

**WARNING - Verify design parameters and READ NOTES ON THIS AND INCLUDED MITEK REFERENCE PAGE MII-7473 rev. 1/2/2023 BEFORE USE.**

Design valid for use only with MiTek® connectors. This design is based only upon parameters shown, and is for an individual building component, not a truss system. Before use, the building designer must verify the applicability of design parameters and properly incorporate this design into the overall building design. Bracing indicated is to prevent buckling of individual truss web and/or chord members only. Additional temporary and permanent bracing is always required for stability and to prevent collapse with possible personal injury and property damage. For general guidance regarding the fabrication, storage, delivery, erection and bracing of trusses and truss systems, see **ANSI/TP1 Quality Criteria and DSB-22** available from Truss Plate Institute ([www.tpinst.org](http://www.tpinst.org)) and **BCSI Building Component Safety Information** available from the Structural Building Component Association ([www.sbcacomponents.com](http://www.sbcacomponents.com))



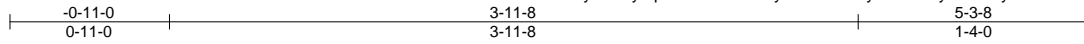
818 Soundside Road  
 Edenton, NC 27932

Job J1124-6266	Truss M2-GR	Truss Type HALF HIP	Qty 1	Ply 2	Lot 2 Maple Hill Job Reference (optional)	170024566
-------------------	----------------	------------------------	----------	----------	--	-----------

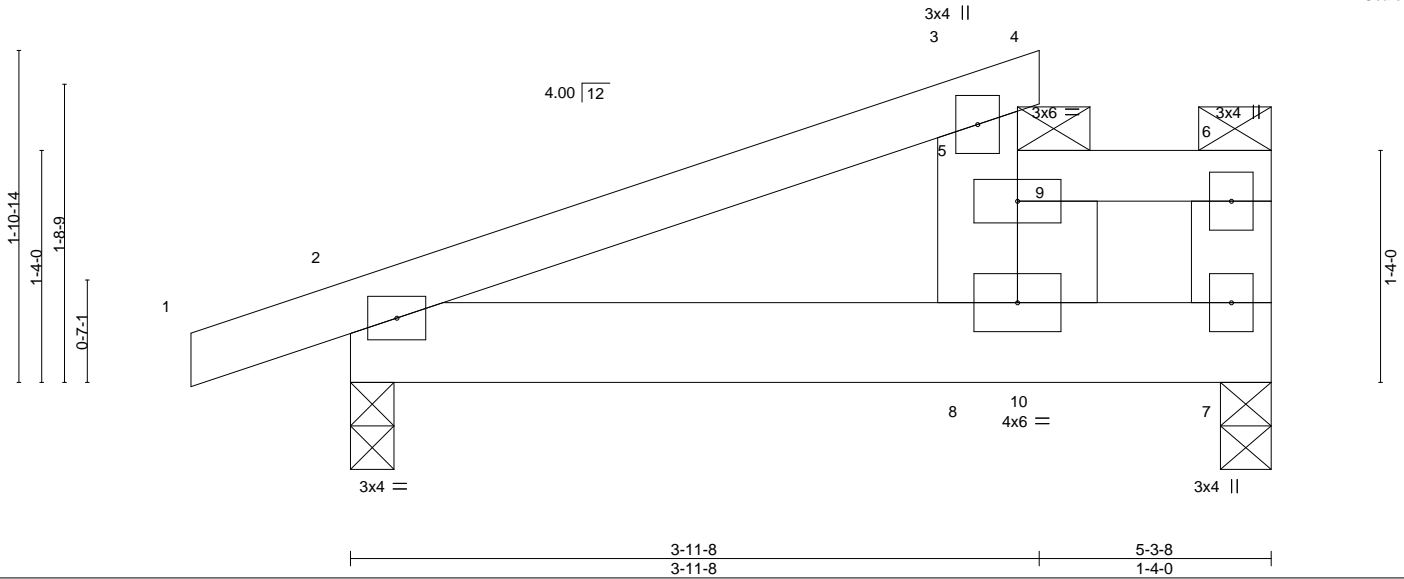
Comtech, Inc. Fayetteville, NC - 28314,

8.530 s Aug 2 2023 MiTek Industries, Inc. Thu Dec 5 16:11:52 2024 Page 1

ID:1yUksKymplk2404ufZYCrxyoKUD-dGXyVrAEHQywHrmZy7oBkYAt5cBV22EIVN3\_hjyBz7L



Scale = 1:13.2



LOADING (psf)	SPACING-	2-0-0	CSI.	DEFL.	in (loc)	l/defl	L/d	PLATES	GRIP
TCLL 20.0	Plate Grip DOL	1.15	TC 0.12	Vert(LL)	-0.00	8	>999	MT20	244/190
TCDL 10.0	Lumber DOL	1.15	BC 0.14	Vert(CT)	-0.01	8	>999		
BCLL 0.0 *	Rep Stress Incr	NO	WB 0.00	Horz(CT)	-0.00	7	n/a		
BCDL 10.0	Code IRC2015/TPI2014		Matrix-R	Wind(LL)	0.01	8	>999	Weight: 55 lb	FT = 20%

**LUMBER-**  
 TOP CHORD 2x4 SP No.1  
 BOT CHORD 2x6 SP No.1  
 WEBS 2x6 SP No.1

**BRACING-**  
 TOP CHORD Structural wood sheathing directly applied or 5-3-8 oc purlins, except end verticals, and 2-0-0 oc purlins: 3-8, 5-6. Except: 10-0-0 oc bracing: 3-5  
 BOT CHORD Rigid ceiling directly applied or 10-0-0 oc bracing.

**REACTIONS.** (size) 7=0-3-8, 2=0-3-0  
 Max Horz 2=69(LC 12)  
 Max Uplift 7=24(LC 8), 2=112(LC 8)  
 Max Grav 7=710(LC 19), 2=375(LC 1)

**FORCES.** (lb) - Max. Comp./Max. Ten. - All forces 250 (lb) or less except when shown.  
 TOP CHORD 2-3=-484/446, 5-8=-334/210, 5-6=-280/291, 6-7=-390/210  
 BOT CHORD 2-8=-491/415, 7-8=-291/280

**NOTES-**

- 2-ply truss to be connected together with 10d (0.131"x3") nails as follows:  
 Top chords connected as follows: 2x4 - 1 row at 0-9-0 oc, 2x6 - 2 rows staggered at 0-9-0 oc.  
 Bottom chords connected as follows: 2x6 - 2 rows staggered at 0-9-0 oc.  
 Webs connected as follows: 2x6 - 2 rows staggered at 0-9-0 oc.
- All loads are considered equally applied to all plies, except if noted as front (F) or back (B) face in the LOAD CASE(S) section. Ply to ply connections have been provided to distribute only loads noted as (F) or (B), unless otherwise indicated.
- Unbalanced roof live loads have been considered for this design.
- Wind: ASCE 7-10; Vult=130mph Vasd=103mph; TC DL=6.0psf; BC DL=6.0psf; h=15ft; Cat. II; Exp C; Enclosed; MWFRS (envelope) and C-C Exterior(2) -0-11-0 to 3-7-4, Interior(1) 3-7-4 to 5-0-12 zone; porch left exposed; C-C for members and forces & MWFRS for reactions shown; Lumber DOL=1.60 plate grip DOL=1.60
- Provide adequate drainage to prevent water ponding.
- This truss has been designed for a 10.0 psf bottom chord live load nonconcurrent with any other live loads.
- \* This truss has been designed for a live load of 30.0psf on the bottom chord in all areas where a rectangle 3-6-0 tall by 2-0-0 wide will fit between the bottom chord and any other members.
- Provide mechanical connection (by others) of truss to bearing plate capable of withstanding 100 lb uplift at joint(s) 7 except (jt=lb) 2=112.
- Load case(s) 1, 2, 3, 4, 5, 6, 7, 8, 9, 10, 11, 12, 13, 14, 15, 16, 17, 18, 19, 20, 21, 22, 23, 24, 25, 26 has/have been modified. Building designer must review loads to verify that they are correct for the intended use of this truss.
- Graphical purlin representation does not depict the size or the orientation of the purlin along the top and/or bottom chord.
- Hanger(s) or other connection device(s) shall be provided sufficient to support concentrated load(s). The design/selection of such connection device(s) is the responsibility of others.

**LOAD CASE(S)** Standard

- Dead + Roof Live (balanced): Lumber Increase=1.15, Plate Increase=1.15  
 Uniform Loads (plf)  
 Vert: 1-3=-60, 3-4=-60, 5-9=-160, 6-9=-200, 2-7=-20



December 6, 2024

Continued on page 2

**WARNING - Verify design parameters and READ NOTES ON THIS AND INCLUDED MITEK REFERENCE PAGE MII-7473 rev. 1/2/2023 BEFORE USE.**  
 Design valid for use only with MiTek® connectors. This design is based only upon parameters shown, and is for an individual building component, not a truss system. Before use, the building designer must verify the applicability of design parameters and properly incorporate this design into the overall building design. Bracing indicated is to prevent buckling of individual truss web and/or chord members only. Additional temporary and permanent bracing is always required for stability and to prevent collapse with possible personal injury and property damage. For general guidance regarding the fabrication, storage, delivery, erection and bracing of trusses and truss systems, see **ANSI/TP1 Quality Criteria and DSB-22** available from Truss Plate Institute (www.tpinst.org) and **BCSI Building Component Safety Information** available from the Structural Building Component Association (www.sbcacomponents.com)



818 Soundside Road  
 Edenton, NC 27932

Job	Truss	Truss Type	Qty	Ply	Lot 2 Maple Hill	170024566
J1124-6266	M2-GR	HALF HIP	1	2	Job Reference (optional)	

Comtech, Inc. Fayetteville, NC - 28314,

8.530 s Aug 2 2023 MiTek Industries, Inc. Thu Dec 5 16:11:52 2024 Page 2  
 ID:1yUksKymplk2404ufZYCrxyoKUD-dGXyVrAEHQyHrmZy7oBkYA5cBV2EIVN3\_hjyBz7L

**LOAD CASE(S)** Standard

- Concentrated Loads (lb)  
Vert: 9=-400
- 2) Dead + 0.75 Roof Live (balanced) + 0.75 Attic Floor: Lumber Increase=1.15, Plate Increase=1.15  
Uniform Loads (plf)  
Vert: 1-3=-50, 3-4=-50, 5-9=-220, 6-9=-250, 2-7=-20  
Concentrated Loads (lb)  
Vert: 9=-350
- 3) Dead + Uninhabitable Attic Without Storage: Lumber Increase=1.25, Plate Increase=1.25  
Uniform Loads (plf)  
Vert: 1-3=-20, 3-4=-20, 5-6=-160, 2-7=-40  
Concentrated Loads (lb)  
Vert: 9=-300
- 4) Dead + 0.6 C-C Wind (Pos. Internal) Case 1: Lumber Increase=1.60, Plate Increase=1.60  
Uniform Loads (plf)  
Vert: 1-2=70, 2-3=58, 3-4=153, 5-6=-108, 2-8=52, 8-10=115, 7-10=52  
Horz: 1-2=-82, 2-3=-70, 3-4=-165, 3-5=-55  
Concentrated Loads (lb)  
Vert: 9=548
- 5) Dead + 0.6 C-C Wind (Pos. Internal) Case 2: Lumber Increase=1.60, Plate Increase=1.60  
Uniform Loads (plf)  
Vert: 1-2=51, 2-3=58, 3-4=51, 5-6=-78, 2-8=52, 8-10=115, 7-10=52  
Horz: 1-2=-63, 2-3=-70, 3-4=-63, 3-5=-55  
Concentrated Loads (lb)  
Vert: 9=566
- 6) Dead + 0.6 C-C Wind (Neg. Internal) Case 1: Lumber Increase=1.60, Plate Increase=1.60  
Uniform Loads (plf)  
Vert: 1-2=-1, 2-3=-45, 3-4=17, 5-6=-178, 2-8=-9, 8-10=2, 7-10=-9  
Horz: 1-2=-19, 2-3=25, 3-4=-37, 3-5=51  
Concentrated Loads (lb)  
Vert: 9=420
- 7) Dead + 0.6 C-C Wind (Neg. Internal) Case 2: Lumber Increase=1.60, Plate Increase=1.60  
Uniform Loads (plf)  
Vert: 1-2=-39, 2-3=-45, 3-4=-39, 5-6=-178, 2-8=-9, 8-10=2, 7-10=-9  
Horz: 1-2=19, 2-3=25, 3-4=19, 3-5=51  
Concentrated Loads (lb)  
Vert: 9=420
- 8) Dead + 0.6 MWFRS Wind (Pos. Internal) Left: Lumber Increase=1.60, Plate Increase=1.60  
Uniform Loads (plf)  
Vert: 1-2=36, 2-3=21, 3-4=14, 5-6=-131, 2-8=10, 8-10=33, 7-10=10  
Horz: 1-2=-48, 2-3=-33, 3-4=-26, 3-5=7  
Concentrated Loads (lb)  
Vert: 9=154
- 9) Dead + 0.6 MWFRS Wind (Pos. Internal) Right: Lumber Increase=1.60, Plate Increase=1.60  
Uniform Loads (plf)  
Vert: 1-2=6, 2-3=12, 3-4=28, 5-6=-119, 2-7=-12  
Horz: 1-2=-18, 2-3=-24, 3-4=-40, 3-5=-27  
Concentrated Loads (lb)  
Vert: 9=43
- 10) Dead + 0.6 MWFRS Wind (Neg. Internal) Left: Lumber Increase=1.60, Plate Increase=1.60  
Uniform Loads (plf)  
Vert: 1-2=6, 2-3=-1, 3-4=6, 5-6=-153, 2-8=2, 8-10=25, 7-10=2  
Horz: 1-2=-26, 2-3=-19, 3-4=-26, 3-5=34  
Concentrated Loads (lb)  
Vert: 9=-339
- 11) Dead + 0.6 MWFRS Wind (Neg. Internal) Right: Lumber Increase=1.60, Plate Increase=1.60  
Uniform Loads (plf)  
Vert: 1-2=-2, 2-3=-9, 3-4=-2, 5-6=-141, 2-7=-20  
Horz: 1-2=-18, 2-3=-11, 3-4=-18, 3-5=-0  
Concentrated Loads (lb)  
Vert: 9=-234
- 12) Dead + 0.6 MWFRS Wind (Pos. Internal) 1st Parallel: Lumber Increase=1.60, Plate Increase=1.60  
Uniform Loads (plf)  
Vert: 1-2=14, 2-3=21, 3-4=14, 5-6=-131, 2-7=-12  
Horz: 1-2=-26, 2-3=-33, 3-4=-26, 3-5=-39  
Concentrated Loads (lb)  
Vert: 9=43
- 13) Dead + 0.6 MWFRS Wind (Pos. Internal) 2nd Parallel: Lumber Increase=1.60, Plate Increase=1.60  
Uniform Loads (plf)  
Vert: 1-2=2, 2-3=9, 3-4=2, 5-6=-119, 2-7=-12  
Horz: 1-2=-14, 2-3=-21, 3-4=-14, 3-5=-27  
Concentrated Loads (lb)  
Vert: 9=43
- 14) Dead + 0.6 MWFRS Wind (Pos. Internal) 3rd Parallel: Lumber Increase=1.60, Plate Increase=1.60

Continued on page 3

**WARNING - Verify design parameters and READ NOTES ON THIS AND INCLUDED MITEK REFERENCE PAGE MII-7473 rev. 1/2/2023 BEFORE USE.**

Design valid for use only with MiTek® connectors. This design is based only upon parameters shown, and is for an individual building component, not a truss system. Before use, the building designer must verify the applicability of design parameters and properly incorporate this design into the overall building design. Bracing indicated is to prevent buckling of individual truss web and/or chord members only. Additional temporary and permanent bracing is always required for stability and to prevent collapse with possible personal injury and property damage. For general guidance regarding the fabrication, storage, delivery, erection and bracing of trusses and truss systems, see **ANSI/TP1 Quality Criteria and DSB-22** available from Truss Plate Institute ([www.tpinst.org](http://www.tpinst.org)) and **BCSI Building Component Safety Information** available from the Structural Building Component Association ([www.sbcacomponents.com](http://www.sbcacomponents.com))



818 Soundside Road  
Edenton, NC 27932

Job	Truss	Truss Type	Qty	Ply	Lot 2 Maple Hill	170024566
J1124-6266	M2-GR	HALF HIP	1	2	Job Reference (optional)	

Comtech, Inc. Fayetteville, NC - 28314,

8.530 s Aug 2 2023 MiTek Industries, Inc. Thu Dec 5 16:11:52 2024 Page 3  
ID:1yUksKymplk2404ufZYCrxyoKUD-dGXyVrAEHQyHrmZy7oBkYAt5cBV22EIVN3\_hjyBz7L

**LOAD CASE(S)** Standard

- Uniform Loads (plf)
  - Vert: 1-2=14, 2-3=21, 3-4=14, 5-6=-131, 2-7=-12
  - Horz: 1-2=-26, 2-3=-33, 3-4=-26, 3-5=-39
- Concentrated Loads (lb)
  - Vert: 9=43
- 15) Dead + 0.6 MWFRS Wind (Pos. Internal) 4th Parallel: Lumber Increase=1.60, Plate Increase=1.60
  - Uniform Loads (plf)
    - Vert: 1-2=2, 2-3=9, 3-4=2, 5-6=-119, 2-7=-12
    - Horz: 1-2=-14, 2-3=-21, 3-4=-14, 3-5=-27
  - Concentrated Loads (lb)
    - Vert: 9=43
- 16) Dead + 0.6 MWFRS Wind (Neg. Internal) 1st Parallel: Lumber Increase=1.60, Plate Increase=1.60
  - Uniform Loads (plf)
    - Vert: 1-2=6, 2-3=-1, 3-4=6, 5-6=-153, 2-7=-20
    - Horz: 1-2=-26, 2-3=-19, 3-4=-26, 3-5=-12
  - Concentrated Loads (lb)
    - Vert: 9=-234
- 17) Dead + 0.6 MWFRS Wind (Neg. Internal) 2nd Parallel: Lumber Increase=1.60, Plate Increase=1.60
  - Uniform Loads (plf)
    - Vert: 1-2=-6, 2-3=-13, 3-4=-6, 5-6=-141, 2-7=-20
    - Horz: 1-2=-14, 2-3=-7, 3-4=-14, 3-5=0
  - Concentrated Loads (lb)
    - Vert: 9=-234
- 18) Dead: Lumber Increase=0.90, Plate Increase=0.90 Plt. metal=0.90
  - Uniform Loads (plf)
    - Vert: 1-3=-20, 3-4=-20, 5-6=-240, 2-7=-20
  - Concentrated Loads (lb)
    - Vert: 9=-200
- 19) Dead + 0.75 Roof Live (bal.) + 0.75 Attic Floor + 0.75(0.6 MWFRS Wind (Neg. Int) Left): Lumber Increase=1.60, Plate Increase=1.60
  - Uniform Loads (plf)
    - Vert: 1-2=-31, 2-3=-36, 3-4=-31, 5-9=-215, 6-9=-245, 2-8=-3, 8-10=13, 7-10=-3
    - Horz: 1-2=-19, 2-3=-14, 3-4=-19, 3-5=26
  - Concentrated Loads (lb)
    - Vert: 9=-454
- 20) Dead + 0.75 Roof Live (bal.) + 0.75 Attic Floor + 0.75(0.6 MWFRS Wind (Neg. Int) Right): Lumber Increase=1.60, Plate Increase=1.60
  - Uniform Loads (plf)
    - Vert: 1-2=-37, 2-3=-42, 3-4=-37, 5-9=-206, 6-9=-236, 2-7=-20
    - Horz: 1-2=-13, 2-3=-8, 3-4=-13, 3-5=0
  - Concentrated Loads (lb)
    - Vert: 9=-375
- 21) Dead + 0.75 Roof Live (bal.) + 0.75 Attic Floor + 0.75(0.6 MWFRS Wind (Neg. Int) 1st Parallel): Lumber Increase=1.60, Plate Increase=1.60
  - Uniform Loads (plf)
    - Vert: 1-2=-31, 2-3=-36, 3-4=-31, 5-9=-215, 6-9=-245, 2-7=-20
    - Horz: 1-2=-19, 2-3=-14, 3-4=-19, 3-5=-9
  - Concentrated Loads (lb)
    - Vert: 9=-375
- 22) Dead + 0.75 Roof Live (bal.) + 0.75 Attic Floor + 0.75(0.6 MWFRS Wind (Neg. Int) 2nd Parallel): Lumber Increase=1.60, Plate Increase=1.60
  - Uniform Loads (plf)
    - Vert: 1-2=-40, 2-3=-45, 3-4=-40, 5-9=-206, 6-9=-236, 2-7=-20
    - Horz: 1-2=-10, 2-3=-5, 3-4=-10, 3-5=0
  - Concentrated Loads (lb)
    - Vert: 9=-375
- 23) 1st Dead + Roof Live (unbalanced): Lumber Increase=1.15, Plate Increase=1.15
  - Uniform Loads (plf)
    - Vert: 1-3=-60, 3-4=-60, 5-6=-160, 2-7=-20
  - Concentrated Loads (lb)
    - Vert: 9=-400
- 24) 2nd Dead + Roof Live (unbalanced): Lumber Increase=1.15, Plate Increase=1.15
  - Uniform Loads (plf)
    - Vert: 1-3=-20, 3-4=-20, 5-9=-160, 6-9=-200, 2-7=-20
  - Concentrated Loads (lb)
    - Vert: 9=-400
- 25) 3rd Dead + 0.75 Roof Live (unbalanced) + 0.75 Attic Floor: Lumber Increase=1.15, Plate Increase=1.15
  - Uniform Loads (plf)
    - Vert: 1-3=-50, 3-4=-50, 5-6=-220, 2-7=-20
  - Concentrated Loads (lb)
    - Vert: 9=-350
- 26) 4th Dead + 0.75 Roof Live (unbalanced) + 0.75 Attic Floor: Lumber Increase=1.15, Plate Increase=1.15
  - Uniform Loads (plf)
    - Vert: 1-3=-20, 3-4=-20, 5-9=-220, 6-9=-250, 2-7=-20
  - Concentrated Loads (lb)
    - Vert: 9=-350

**WARNING - Verify design parameters and READ NOTES ON THIS AND INCLUDED MITEK REFERENCE PAGE MII-7473 rev. 1/2/2023 BEFORE USE.**

Design valid for use only with MiTek® connectors. This design is based only upon parameters shown, and is for an individual building component, not a truss system. Before use, the building designer must verify the applicability of design parameters and properly incorporate this design into the overall building design. Bracing indicated is to prevent buckling of individual truss web and/or chord members only. Additional temporary and permanent bracing is always required for stability and to prevent collapse with possible personal injury and property damage. For general guidance regarding the fabrication, storage, delivery, erection and bracing of trusses and truss systems, see **ANSI/TP1 Quality Criteria and DSB-22** available from Truss Plate Institute ([www.tpinst.org](http://www.tpinst.org)) and **BCSI Building Component Safety Information** available from the Structural Building Component Association ([www.sbcacomponents.com](http://www.sbcacomponents.com))

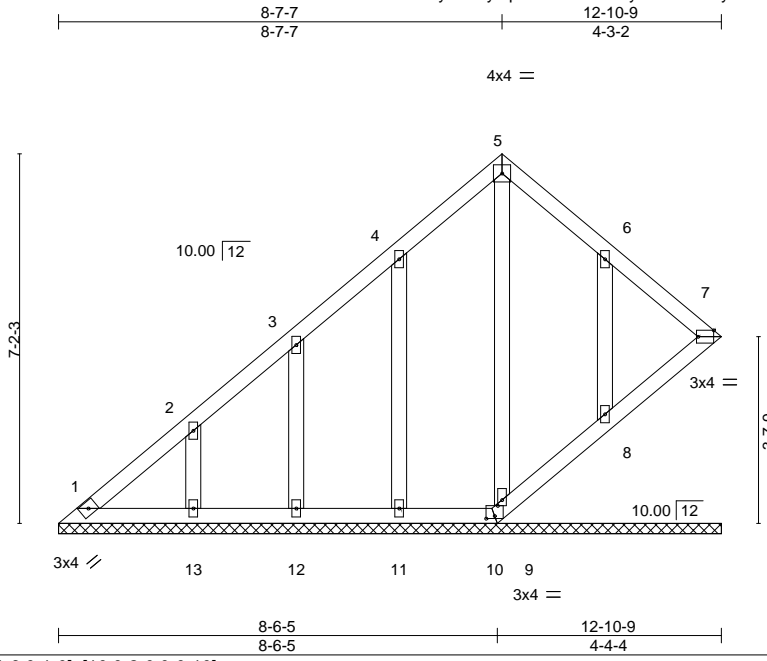


818 Soundside Road  
Edenton, NC 27932

Job J1124-6266	Truss V1GE	Truss Type ROOF SPECIAL STRUCTU	Qty 1	Ply 1	Lot 2 Maple Hill Job Reference (optional)	170024567
-------------------	---------------	------------------------------------	----------	----------	--	-----------

Comtech, Inc. Fayetteville, NC - 28314,

8.530 s Aug 2 2023 MiTek Industries, Inc. Thu Dec 5 16:11:52 2024 Page 1  
ID:1yUksKypmk2404ufZYCrxyoKUD-dGXyVrAEHQywHrmZy7oBkYAuo?cDB210IVN3\_hjyBz7L



Scale = 1:44.8

Plate Offsets (X,Y)--	[7:0-3-11,Edge], [9:0-1-6,0-1-0], [10:0-2-0,0-0-10]				
<b>LOADING</b> (psf)	<b>SPACING-</b> 2-0-0	<b>CSI.</b>	<b>DEFL.</b> in (loc) l/defl L/d	<b>PLATES</b>	<b>GRIP</b>
TCLL 20.0	Plate Grip DOL 1.15	TC 0.06	Vert(LL) n/a - n/a 999	MT20	244/190
TCDL 10.0	Lumber DOL 1.15	BC 0.03	Vert(CT) n/a - n/a 999		
BCLL 0.0 *	Rep Stress Incr YES	WB 0.08	Horz(CT) 0.00 7 n/a n/a		
BCDL 10.0	Code IRC2015/TPI2014	Matrix-S		Weight: 75 lb	FT = 20%

**LUMBER-**  
TOP CHORD 2x4 SP No.1  
BOT CHORD 2x4 SP No.1  
OTHERS 2x4 SP No.2

**BRACING-**  
TOP CHORD Structural wood sheathing directly applied or 6-0-0 oc purlins.  
BOT CHORD Rigid ceiling directly applied or 10-0-0 oc bracing.

**REACTIONS.** All bearings 12-10-9.  
(lb) - Max Horz 1=231(LC 12)  
Max Uplift All uplift 100 lb or less at joint(s) 1, 7, 10 except 11=112(LC 12), 12=107(LC 12), 13=133(LC 12), 8=126(LC 13)  
Max Grav All reactions 250 lb or less at joint(s) 1, 7, 10, 9, 11, 12, 13, 8

**FORCES.** (lb) - Max. Comp./Max. Ten. - All forces 250 (lb) or less except when shown.  
TOP CHORD 1-2=-295/189

- NOTES-**
- Unbalanced roof live loads have been considered for this design.
  - Wind: ASCE 7-10; Vult=130mph Vasd=103mph; TCCL=6.0psf; BCDL=6.0psf; h=15ft; Cat. II; Exp C; Enclosed; MWFRS (envelope) gable end zone and C-C Exterior(2) zone; C-C for members and forces & MWFRS for reactions shown; Lumber DOL=1.60 plate grip DOL=1.60
  - Truss designed for wind loads in the plane of the truss only. For studs exposed to wind (normal to the face), see Standard Industry Gable End Details as applicable, or consult qualified building designer as per ANSI/TPI 1.
  - All plates are 2x4 MT20 unless otherwise indicated.
  - Gable requires continuous bottom chord bearing.
  - Gable studs spaced at 2-0-0 oc.
  - This truss has been designed for a 10.0 psf bottom chord live load nonconcurrent with any other live loads.
  - \* This truss has been designed for a live load of 30.0psf on the bottom chord in all areas where a rectangle 3-6-0 tall by 2-0-0 wide will fit between the bottom chord and any other members.
  - Bearing at joint(s) 7, 9, 8 considers parallel to grain value using ANSI/TPI 1 angle to grain formula. Building designer should verify capacity of bearing surface.
  - Provide mechanical connection (by others) of truss to bearing plate capable of withstanding 100 lb uplift at joint(s) 1, 7, 10 except (jt=lb) 11=112, 12=107, 13=133, 8=126.
  - Beveled plate or shim required to provide full bearing surface with truss chord at joint(s) 7, 9, 8.



December 6, 2024

**WARNING - Verify design parameters and READ NOTES ON THIS AND INCLUDED MITEK REFERENCE PAGE MII-7473 rev. 1/2/2023 BEFORE USE.**  
Design valid for use only with MiTek® connectors. This design is based only upon parameters shown, and is for an individual building component, not a truss system. Before use, the building designer must verify the applicability of design parameters and properly incorporate this design into the overall building design. Bracing indicated is to prevent buckling of individual truss web and/or chord members only. Additional temporary and permanent bracing is always required for stability and to prevent collapse with possible personal injury and property damage. For general guidance regarding the fabrication, storage, delivery, erection and bracing of trusses and truss systems, see **ANSI/TPI1 Quality Criteria and DSB-22** available from Truss Plate Institute (www.tpinst.org) and **BCSI Building Component Safety Information** available from the Structural Building Component Association (www.sbcacomponents.com)

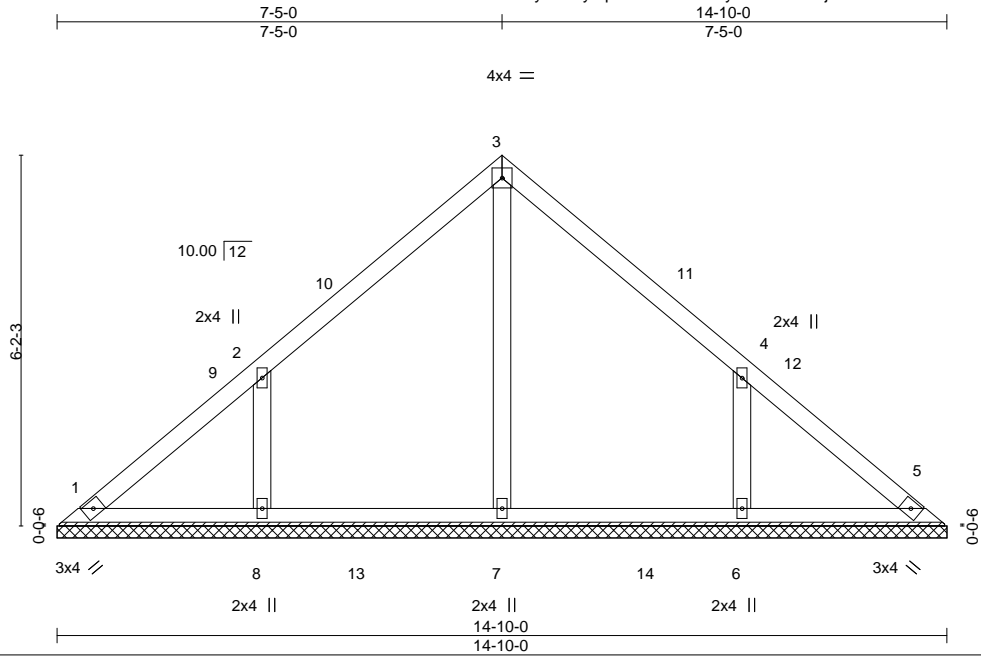
ENGINEERING BY  
**TRENCO**  
A MiTek Affiliate  
818 Soundside Road  
Edenton, NC 27932

Job J1124-6266	Truss V2	Truss Type VALLEY	Qty 1	Ply 1	Lot 2 Maple Hill Job Reference (optional)	170024568
-------------------	-------------	----------------------	----------	----------	--	-----------

Comtech, Inc. Fayetteville, NC - 28314,

8.530 s Aug 2 2023 MiTek Industries, Inc. Thu Dec 5 16:11:53 2024 Page 1

ID:1yUksKymplk2404ufZYCrxyoKUD-5S5KjBBs2k4nv?LIWrJQHmi0Y0XynU2uk1oXD9yBz7K



Scale = 1:38.4

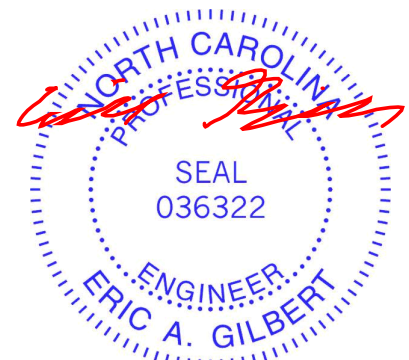
Plate Offsets (X,Y)--	[4:0-0-0,0-0-0]				
<b>LOADING</b> (psf)	<b>SPACING-</b> 2-0-0	<b>CSI.</b>	<b>DEFL.</b> in (loc) l/defl L/d	<b>PLATES</b>	<b>GRIP</b>
TCLL 20.0	Plate Grip DOL 1.15	TC 0.14	Vert(LL) n/a - n/a 999	MT20	244/190
TCDL 10.0	Lumber DOL 1.15	BC 0.15	Vert(CT) n/a - n/a 999		
BCLL 0.0 *	Rep Stress Incr YES	WB 0.09	Horz(CT) 0.00 5 n/a n/a		
BCDL 10.0	Code IRC2015/TPI2014	Matrix-S		Weight: 64 lb	FT = 20%

<b>LUMBER-</b>	<b>BRACING-</b>
TOP CHORD 2x4 SP No.1	TOP CHORD Structural wood sheathing directly applied or 6-0-0 oc purlins.
BOT CHORD 2x4 SP No.1	BOT CHORD Rigid ceiling directly applied or 10-0-0 oc bracing.
OTHERS 2x4 SP No.2	

**REACTIONS.** All bearings 14-10-0.  
 (lb) - Max Horz 1=140(LC 8)  
 Max Uplift All uplift 100 lb or less at joint(s) 1 except 8=135(LC 12), 6=135(LC 13)  
 Max Grav All reactions 250 lb or less at joint(s) 1, 5 except 7=400(LC 19), 8=393(LC 19), 6=393(LC 20)

**FORCES.** (lb) - Max. Comp./Max. Ten. - All forces 250 (lb) or less except when shown.  
 WEBS 2-8=-338/247, 4-6=-338/247

- NOTES-**
- 1) Unbalanced roof live loads have been considered for this design.
  - 2) Wind: ASCE 7-10; Vult=130mph Vasd=103mph; TCDL=6.0psf; BCDL=6.0psf; h=15ft; Cat. II; Exp C; Enclosed; MWFRS (envelope) and C-C Exterior(2) 0-4-13 to 4-9-10, Interior(1) 4-9-10 to 7-5-0, Exterior(2) 7-5-0 to 11-9-13, Interior(1) 11-9-13 to 14-5-3 zone; C-C for members and forces & MWFRS for reactions shown; Lumber DOL=1.60 plate grip DOL=1.60
  - 3) Gable requires continuous bottom chord bearing.
  - 4) This truss has been designed for a 10.0 psf bottom chord live load nonconcurrent with any other live loads.
  - 5) \* This truss has been designed for a live load of 30.0psf on the bottom chord in all areas where a rectangle 3-6-0 tall by 2-0-0 wide will fit between the bottom chord and any other members, with BCDL = 10.0psf.
  - 6) Provide mechanical connection (by others) of truss to bearing plate capable of withstanding 100 lb uplift at joint(s) 1 except (jt=lb) 8=135, 6=135.



December 6, 2024

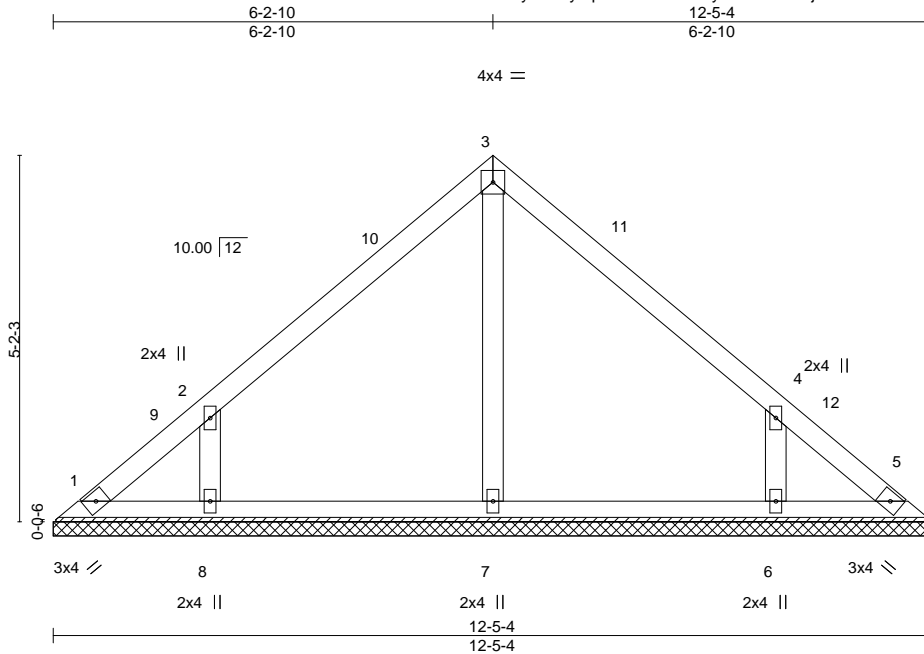


Job J1124-6266	Truss V3	Truss Type VALLEY	Qty 1	Ply 1	Lot 2 Maple Hill Job Reference (optional)	170024569
-------------------	-------------	----------------------	----------	----------	--	-----------

Comtech, Inc. Fayetteville, NC - 28314,

8.530 s Aug 2 2023 MiTek Industries, Inc. Thu Dec 5 16:11:53 2024 Page 1

ID:1yUksKymplk2404ufZYCrxyoKUD-5S5KjBBs2k4nv?LIWrJQHmi0h0YWhUTuk1oXD9yBz7K



Scale = 1:32.6

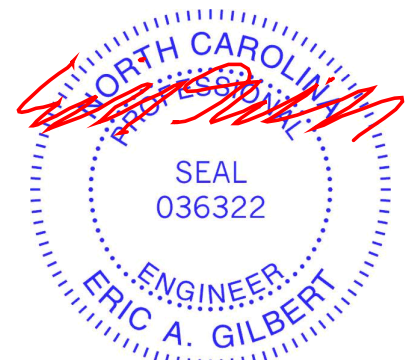
Plate Offsets (X,Y)--	[4:0-0-0,0-0-0]								
<b>LOADING</b> (psf)	<b>SPACING-</b>	2-0-0	<b>CSI.</b>	<b>DEFL.</b>	in (loc)	l/defl	L/d	<b>PLATES</b>	<b>GRIP</b>
TCLL 20.0	Plate Grip DOL	1.15	TC 0.13	Vert(LL)	n/a	-	n/a	MT20	244/190
TCDL 10.0	Lumber DOL	1.15	BC 0.09	Vert(CT)	n/a	-	n/a		
BCLL 0.0 *	Rep Stress Incr	YES	WB 0.06	Horz(CT)	0.00	5	n/a		
BCDL 10.0	Code IRC2015/TPI2014		Matrix-S					Weight: 52 lb	FT = 20%

<b>LUMBER-</b>		<b>BRACING-</b>	
TOP CHORD	2x4 SP No.1	TOP CHORD	Structural wood sheathing directly applied or 6-0-0 oc purlins.
BOT CHORD	2x4 SP No.1	BOT CHORD	Rigid ceiling directly applied or 10-0-0 oc bracing.
OTHERS	2x4 SP No.2		

**REACTIONS.** All bearings 12-5-4.  
 (lb) - Max Horz 1=-116(LC 8)  
 Max Uplift All uplift 100 lb or less at joint(s) 1, 5 except 8=-123(LC 12), 6=-123(LC 13)  
 Max Grav All reactions 250 lb or less at joint(s) 1, 5, 7 except 8=326(LC 19), 6=326(LC 20)

**FORCES.** (lb) - Max. Comp./Max. Ten. - All forces 250 (lb) or less except when shown.  
 WEBS 2-8=-312/241, 4-6=-312/241

- NOTES-**
- 1) Unbalanced roof live loads have been considered for this design.
  - 2) Wind: ASCE 7-10; Vult=130mph Vasd=103mph; TCDL=6.0psf; BCDL=6.0psf; h=15ft; Cat. II; Exp C; Enclosed; MWFRS (envelope) and C-C Exterior(2) 0-4-13 to 4-9-10, Interior(1) 4-9-10 to 6-2-10, Exterior(2) 6-2-10 to 10-7-7, Interior(1) 10-7-7 to 12-0-7 zone; C-C for members and forces & MWFRS for reactions shown; Lumber DOL=1.60 plate grip DOL=1.60
  - 3) Gable requires continuous bottom chord bearing.
  - 4) This truss has been designed for a 10.0 psf bottom chord live load nonconcurrent with any other live loads.
  - 5) \* This truss has been designed for a live load of 30.0psf on the bottom chord in all areas where a rectangle 3-6-0 tall by 2-0-0 wide will fit between the bottom chord and any other members.
  - 6) Provide mechanical connection (by others) of truss to bearing plate capable of withstanding 100 lb uplift at joint(s) 1, 5 except (jt=lb) 8=123, 6=123.



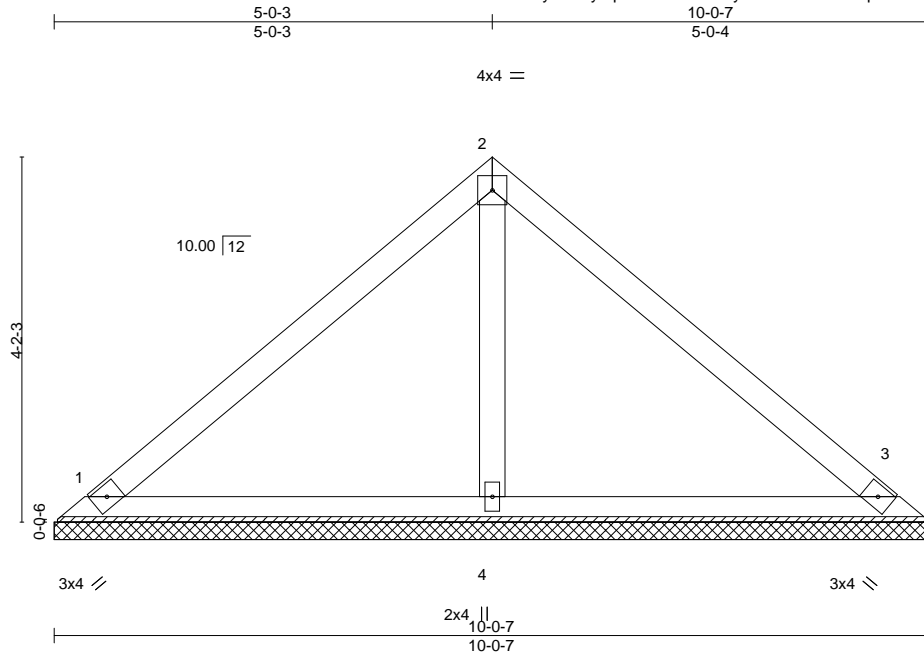
December 6, 2024

<p><b>WARNING - Verify design parameters and READ NOTES ON THIS AND INCLUDED MITEK REFERENCE PAGE MII-7473 rev. 1/2/2023 BEFORE USE.</b></p> <p>Design valid for use only with MiTek® connectors. This design is based only upon parameters shown, and is for an individual building component, not a truss system. Before use, the building designer must verify the applicability of design parameters and properly incorporate this design into the overall building design. Bracing indicated is to prevent buckling of individual truss web and/or chord members only. Additional temporary and permanent bracing is always required for stability and to prevent collapse with possible personal injury and property damage. For general guidance regarding the fabrication, storage, delivery, erection and bracing of trusses and truss systems, see <b>ANSI/TPH Quality Criteria and DSB-22</b> available from Truss Plate Institute (www.tpinst.org) and <b>BCSI Building Component Safety Information</b> available from the Structural Building Component Association (www.sbcacomponents.com)</p>	<p>ENGINEERING BY</p> <p><b>TRENCO</b></p> <p>A MiTek Affiliate</p> <p>818 Soundside Road Edenton, NC 27932</p>
--	---

Job J1124-6266	Truss V4	Truss Type VALLEY	Qty 1	Ply 1	Lot 2 Maple Hill Job Reference (optional)	170024570
-------------------	-------------	----------------------	----------	----------	--	-----------

Comtech, Inc. Fayetteville, NC - 28314,

8.530 s Aug 2 2023 MiTek Industries, Inc. Thu Dec 5 16:11:54 2024 Page 1  
ID:1yUksKymplk2404ufZYCrxyoKUD-ZfeiwXCUp1CeX9wy3YqzqzFayPtiWyt1zhY5mbyBz7J



Scale = 1:26.4

LOADING (psf)	SPACING-	CSI.	DEFL.	in (loc)	l/defl	L/d	PLATES	GRIP
TCLL 20.0	2-0-0	TC 0.22	Vert(LL)	n/a	-	n/a	MT20	244/190
TCDL 10.0	Plate Grip DOL 1.15	BC 0.16	Vert(CT)	n/a	-	n/a		
BCLL 0.0 *	Lumber DOL 1.15	WB 0.05	Horz(CT)	0.00	3	n/a		
BCDL 10.0	Rep Stress Incr YES	Matrix-S					Weight: 38 lb	FT = 20%
	Code IRC2015/TPI2014							

**LUMBER-**  
TOP CHORD 2x4 SP No.1  
BOT CHORD 2x4 SP No.1  
OTHERS 2x4 SP No.2

**BRACING-**  
TOP CHORD Structural wood sheathing directly applied or 6-0-0 oc purlins.  
BOT CHORD Rigid ceiling directly applied or 10-0-0 oc bracing.

**REACTIONS.** (size) 1=10-0-7, 3=10-0-7, 4=10-0-7  
Max Horz 1=-92(LC 8)  
Max Uplift 1=22(LC 13), 3=-30(LC 13)  
Max Grav 1=197(LC 1), 3=197(LC 1), 4=344(LC 1)

**FORCES.** (lb) - Max. Comp./Max. Ten. - All forces 250 (lb) or less except when shown.

**NOTES-**

- 1) Unbalanced roof live loads have been considered for this design.
- 2) Wind: ASCE 7-10; Vult=130mph Vasd=103mph; TC DL=6.0psf; BCDL=6.0psf; h=15ft; Cat. II; Exp C; Enclosed; MWFRS (envelope) and C-C Exterior(2) zone; C-C for members and forces & MWFRS for reactions shown; Lumber DOL=1.60 plate grip DOL=1.60
- 3) Gable requires continuous bottom chord bearing.
- 4) This truss has been designed for a 10.0 psf bottom chord live load nonconcurrent with any other live loads.
- 5) \* This truss has been designed for a live load of 30.0psf on the bottom chord in all areas where a rectangle 3-6-0 tall by 2-0-0 wide will fit between the bottom chord and any other members.
- 6) Provide mechanical connection (by others) of truss to bearing plate capable of withstanding 100 lb uplift at joint(s) 1, 3.



December 6, 2024

**WARNING - Verify design parameters and READ NOTES ON THIS AND INCLUDED MITEK REFERENCE PAGE MII-7473 rev. 1/2/2023 BEFORE USE.**

Design valid for use only with MiTek® connectors. This design is based only upon parameters shown, and is for an individual building component, not a truss system. Before use, the building designer must verify the applicability of design parameters and properly incorporate this design into the overall building design. Bracing indicated is to prevent buckling of individual truss web and/or chord members only. Additional temporary and permanent bracing is always required for stability and to prevent collapse with possible personal injury and property damage. For general guidance regarding the fabrication, storage, delivery, erection and bracing of trusses and truss systems, see **ANSI/TPH Quality Criteria and DSB-22** available from Truss Plate Institute (www.tpinst.org) and **BCSI Building Component Safety Information** available from the Structural Building Component Association (www.sbcacomponents.com)



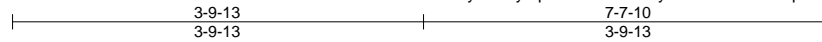
818 Soundside Road  
Edenton, NC 27932

Job J1124-6266	Truss V5	Truss Type VALLEY	Qty 1	Ply 1	Lot 2 Maple Hill Job Reference (optional)	170024571
-------------------	-------------	----------------------	----------	----------	--	-----------

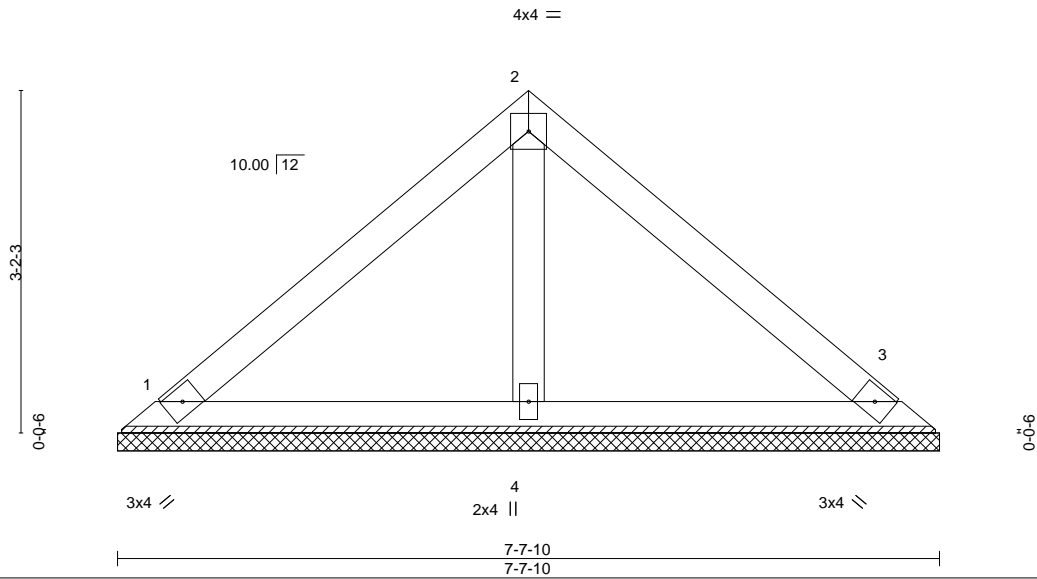
Comtech, Inc. Fayetteville, NC - 28314,

8.530 s Aug 2 2023 MiTek Industries, Inc. Thu Dec 5 16:11:54 2024 Page 1

ID:1yUksKymplk2404ufZYCrxyoKUD-ZfeiwXCUp1CeX9wy3YqfzFBoPupWyL1zhY5mbyBz7J



Scale = 1:21.4



LOADING (psf)	SPACING-	CSI.	DEFL.	in (loc)	l/defl	L/d	PLATES	GRIP
TCLL 20.0	2-0-0	TC 0.17	Vert(LL)	n/a	-	n/a	MT20	244/190
TCDL 10.0	Plate Grip DOL 1.15	BC 0.09	Vert(CT)	n/a	-	n/a		
BCLL 0.0 *	Lumber DOL 1.15	WB 0.02	Horz(CT)	0.00	3	n/a		
BCDL 10.0	Rep Stress Incr YES	Matrix-P					Weight: 28 lb	FT = 20%
	Code IRC2015/TPI2014							

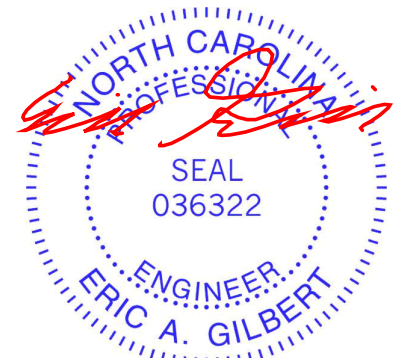
**LUMBER-**  
 TOP CHORD 2x4 SP No.1  
 BOT CHORD 2x4 SP No.1  
 OTHERS 2x4 SP No.2

**BRACING-**  
 TOP CHORD Structural wood sheathing directly applied or 6-0-0 oc purlins.  
 BOT CHORD Rigid ceiling directly applied or 10-0-0 oc bracing.

**REACTIONS.** (size) 1=7-7-10, 3=7-7-10, 4=7-7-10  
 Max Horz 1=68(LC 9)  
 Max Uplift 1=24(LC 13), 3=30(LC 13)  
 Max Grav 1=158(LC 1), 3=158(LC 1), 4=230(LC 1)

**FORCES.** (lb) - Max. Comp./Max. Ten. - All forces 250 (lb) or less except when shown.

- NOTES-**
- 1) Unbalanced roof live loads have been considered for this design.
  - 2) Wind: ASCE 7-10; Vult=130mph Vasd=103mph; TCCL=6.0psf; BCDL=6.0psf; h=15ft; Cat. II; Exp C; Enclosed; MWFRS (envelope) and C-C Exterior(2) zone; C-C for members and forces & MWFRS for reactions shown; Lumber DOL=1.60 plate grip DOL=1.60
  - 3) Gable requires continuous bottom chord bearing.
  - 4) This truss has been designed for a 10.0 psf bottom chord live load nonconcurrent with any other live loads.
  - 5) \* This truss has been designed for a live load of 30.0psf on the bottom chord in all areas where a rectangle 3-6-0 tall by 2-0-0 wide will fit between the bottom chord and any other members.
  - 6) Provide mechanical connection (by others) of truss to bearing plate capable of withstanding 100 lb uplift at joint(s) 1, 3.



December 6, 2024

**WARNING - Verify design parameters and READ NOTES ON THIS AND INCLUDED MITEK REFERENCE PAGE MII-7473 rev. 1/2/2023 BEFORE USE.**  
 Design valid for use only with MiTek® connectors. This design is based only upon parameters shown, and is for an individual building component, not a truss system. Before use, the building designer must verify the applicability of design parameters and properly incorporate this design into the overall building design. Bracing indicated is to prevent buckling of individual truss web and/or chord members only. Additional temporary and permanent bracing is always required for stability and to prevent collapse with possible personal injury and property damage. For general guidance regarding the fabrication, storage, delivery, erection and bracing of trusses and truss systems, see **ANSI/TPH Quality Criteria and DSB-22** available from Truss Plate Institute (www.tpinst.org) and **BCSI Building Component Safety Information** available from the Structural Building Component Association (www.sbcacomponents.com)



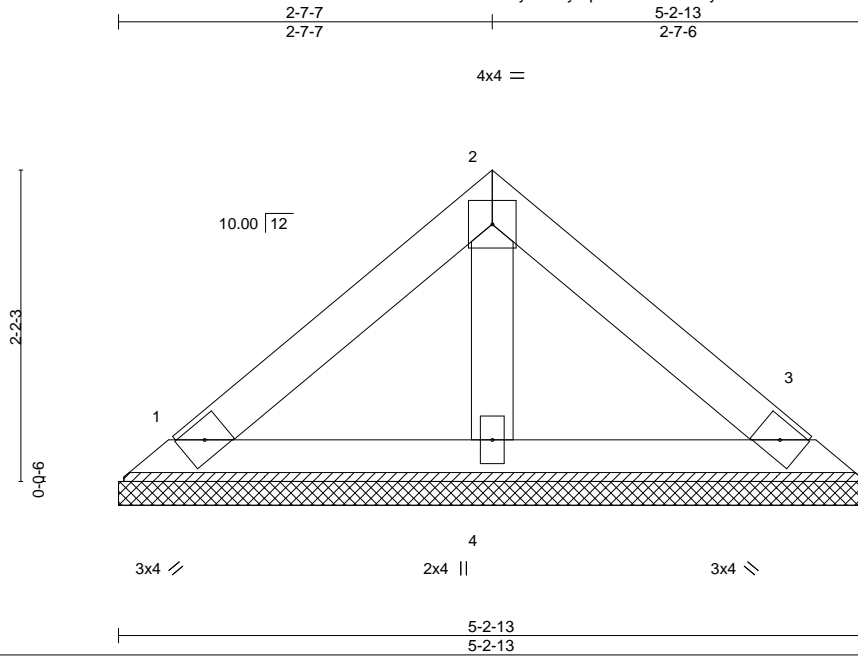
818 Soundside Road  
 Edenton, NC 27932

Job J1124-6266	Truss V6	Truss Type VALLEY	Qty 1	Ply 1	Lot 2 Maple Hill Job Reference (optional)	170024572
-------------------	-------------	----------------------	----------	----------	--	-----------

Comtech, Inc. Fayetteville, NC - 28314,

8.530 s Aug 2 2023 MiTek Industries, Inc. Thu Dec 5 16:11:55 2024 Page 1

ID:1yUksKymplk2404ufZYCrxyoKUD-2rC47tC6aLKV8JV8dGMuMBoN8pFqFPoBCLHel2yBz7l



Scale: 3/4"=1'

LOADING (psf)	SPACING-	2-0-0	CSI.	DEFL.	in (loc)	l/defl	L/d	PLATES	GRIP	
TCLL 20.0	Plate Grip DOL	1.15	TC 0.07	Vert(LL)	n/a	-	n/a	999	MT20	244/190
TCDL 10.0	Lumber DOL	1.15	BC 0.04	Vert(CT)	n/a	-	n/a	999		
BCLL 0.0 *	Rep Stress Incr	YES	WB 0.01	Horz(CT)	0.00	3	n/a	n/a		
BCDL 10.0	Code IRC2015/TPI2014		Matrix-P						Weight: 19 lb	FT = 20%

**LUMBER-**  
TOP CHORD 2x4 SP No.1  
BOT CHORD 2x4 SP No.1  
OTHERS 2x4 SP No.2

**BRACING-**  
TOP CHORD Structural wood sheathing directly applied or 5-2-13 oc purlins.  
BOT CHORD Rigid ceiling directly applied or 10-0-0 oc bracing.

**REACTIONS.** (size) 1=5-2-13, 3=5-2-13, 4=5-2-13  
Max Horz 1=-44(LC 8)  
Max Uplift 1=-15(LC 13), 3=-19(LC 13)  
Max Grav 1=102(LC 1), 3=102(LC 1), 4=149(LC 1)

**FORCES.** (lb) - Max. Comp./Max. Ten. - All forces 250 (lb) or less except when shown.

**NOTES-**

- 1) Unbalanced roof live loads have been considered for this design.
- 2) Wind: ASCE 7-10; Vult=130mph Vasd=103mph; TC DL=6.0psf; BCDL=6.0psf; h=15ft; Cat. II; Exp C; Enclosed; MWFRS (envelope) and C-C Exterior(2) zone; C-C for members and forces & MWFRS for reactions shown; Lumber DOL=1.60 plate grip DOL=1.60
- 3) Gable requires continuous bottom chord bearing.
- 4) This truss has been designed for a 10.0 psf bottom chord live load nonconcurrent with any other live loads.
- 5) \* This truss has been designed for a live load of 30.0psf on the bottom chord in all areas where a rectangle 3-6-0 tall by 2-0-0 wide will fit between the bottom chord and any other members.
- 6) Provide mechanical connection (by others) of truss to bearing plate capable of withstanding 100 lb uplift at joint(s) 1, 3.



December 6, 2024

**WARNING - Verify design parameters and READ NOTES ON THIS AND INCLUDED MITEK REFERENCE PAGE MII-7473 rev. 1/2/2023 BEFORE USE.**

Design valid for use only with MiTek® connectors. This design is based only upon parameters shown, and is for an individual building component, not a truss system. Before use, the building designer must verify the applicability of design parameters and properly incorporate this design into the overall building design. Bracing indicated is to prevent buckling of individual truss web and/or chord members only. Additional temporary and permanent bracing is always required for stability and to prevent collapse with possible personal injury and property damage. For general guidance regarding the fabrication, storage, delivery, erection and bracing of trusses and truss systems, see **ANSI/TPH Quality Criteria and DSB-22** available from Truss Plate Institute ([www.tpinst.org](http://www.tpinst.org)) and **BCSI Building Component Safety Information** available from the Structural Building Component Association ([www.sbcacomponents.com](http://www.sbcacomponents.com))



818 Soundside Road  
Edenton, NC 27932

Job J1124-6266	Truss V7	Truss Type VALLEY	Qty 1	Ply 1	Lot 2 Maple Hill 170024573
-------------------	-------------	----------------------	----------	----------	-------------------------------

Comtech, Inc, Fayetteville, NC - 28314,

8.530 s Aug 2 2023 MiTek Industries, Inc. Thu Dec 5 16:11:55 2024 Page 1  
ID:1yUksKymplk2404ufZYCrxyoKUD-2rC47tC6aLKV8JV8dGMuMBoOzpFtFPzBCLHel2yBz7l



Scale = 1:8.7

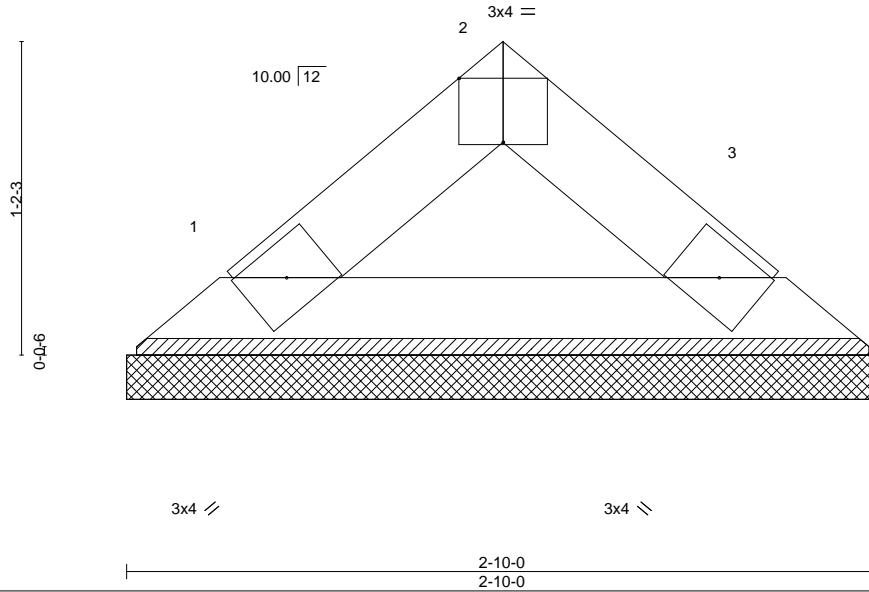


Plate Offsets (X,Y)-- [2:0-2-0,Edge]										
<b>LOADING</b> (psf)	<b>SPACING-</b>	2-0-0	<b>CSI.</b>	<b>DEFL.</b>	in (loc)	l/defl	L/d	<b>PLATES</b>	<b>GRIP</b>	
TCLL 20.0	Plate Grip DOL	1.15	TC 0.01	Vert(LL)	n/a	-	n/a	999	MT20	244/190
TCDL 10.0	Lumber DOL	1.15	BC 0.03	Vert(CT)	n/a	-	n/a	999		
BCLL 0.0 *	Rep Stress Incr	YES	WB 0.00	Horz(CT)	0.00	3	n/a	n/a		
BCDL 10.0	Code	IRC2015/TPI2014	Matrix-P						Weight: 8 lb	FT = 20%

**LUMBER-**  
TOP CHORD 2x4 SP No.1  
BOT CHORD 2x4 SP No.1

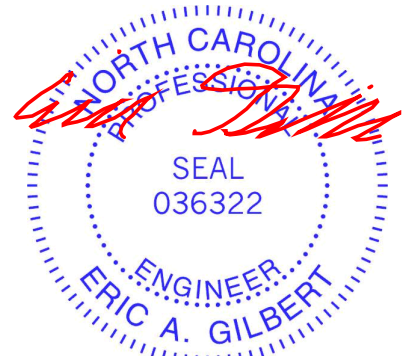
**BRACING-**  
TOP CHORD Structural wood sheathing directly applied or 2-10-0 oc purlins.  
BOT CHORD Rigid ceiling directly applied or 10-0-0 oc bracing.

**REACTIONS.** (size) 1=2-10-0, 3=2-10-0  
Max Horz 1=20(LC 8)  
Max Uplift 1=4(LC 12), 3=4(LC 13)  
Max Grav 1=81(LC 1), 3=81(LC 1)

**FORCES.** (lb) - Max. Comp./Max. Ten. - All forces 250 (lb) or less except when shown.

**NOTES-**

- 1) Unbalanced roof live loads have been considered for this design.
- 2) Wind: ASCE 7-10; Vult=130mph Vasd=103mph; TCDL=6.0psf; BCDL=6.0psf; h=15ft; Cat. II; Exp C; Enclosed; MWFRS (envelope) and C-C Exterior(2) zone; C-C for members and forces & MWFRS for reactions shown; Lumber DOL=1.60 plate grip DOL=1.60
- 3) Gable requires continuous bottom chord bearing.
- 4) This truss has been designed for a 10.0 psf bottom chord live load nonconcurrent with any other live loads.
- 5) \* This truss has been designed for a live load of 30.0psf on the bottom chord in all areas where a rectangle 3-6-0 tall by 2-0-0 wide will fit between the bottom chord and any other members.
- 6) Provide mechanical connection (by others) of truss to bearing plate capable of withstanding 100 lb uplift at joint(s) 1, 3.



December 6, 2024

**WARNING - Verify design parameters and READ NOTES ON THIS AND INCLUDED MITEK REFERENCE PAGE MII-7473 rev. 1/2/2023 BEFORE USE.**

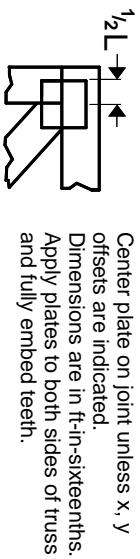
Design valid for use only with MiTek® connectors. This design is based only upon parameters shown, and is for an individual building component, not a truss system. Before use, the building designer must verify the applicability of design parameters and properly incorporate this design into the overall building design. Bracing indicated is to prevent buckling of individual truss web and/or chord members only. Additional temporary and permanent bracing is always required for stability and to prevent collapse with possible personal injury and property damage. For general guidance regarding the fabrication, storage, delivery, erection and bracing of trusses and truss systems, see **ANSI/TP1 Quality Criteria and DSB-22** available from Truss Plate Institute (www.tpinst.org) and **BCSI Building Component Safety Information** available from the Structural Building Component Association (www.sbcacomponents.com)



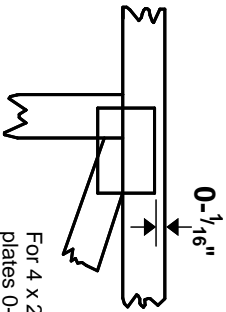
818 Soundside Road  
Edenton, NC 27932

# Symbols

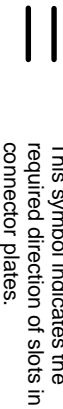
## PLATE LOCATION AND ORIENTATION



Center plate on joint unless x, y offsets are indicated. Dimensions are in ft-in-sixteenths. Apply plates to both sides of truss and fully embed teeth.



For 4 x 2 orientation, locate plates 0-  $\frac{1}{16}$ \" from outside edge of truss.



This symbol indicates the required direction of slots in connector plates.

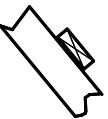
\* Plate location details available in MITek software or upon request.

## PLATE SIZE

**4 X 4**

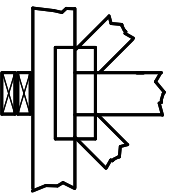
The first dimension is the plate width measured perpendicular to slots. Second dimension is the length parallel to slots.

## LATERAL BRACING LOCATION



Indicated by symbol shown and/or by text in the bracing section of the output. Use T or I bracing if indicated.

## BEARING

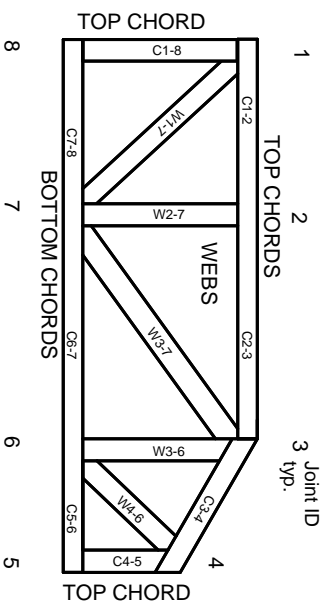


Indicates location where bearings (supports) occur. Icons vary but reaction section indicates joint number/letter where bearings occur. Min size shown is for crushing only.

## Industry Standards:

ANSI/TP1: National Design Specification for Metal Plate Connected Wood Truss Construction.  
DSB-22: Design Standard for Bracing.  
BCSI: Building Component Safety Information, Guide to Good Practice for Handling, Installing, Restraining & Bracing of Metal Plate Connected Wood Trusses.

# Numbering System



**JOINTS ARE GENERALLY NUMBERED/LETTERED CLOCKWISE AROUND THE TRUSS STARTING AT THE JOINT FARTHEST TO THE LEFT.**

**CHORDS AND WEBS ARE IDENTIFIED BY END JOINT NUMBERS/LETTERS.**

# Product Code Approvals

ICC-ES Reports:  
ESR-1988, ESR-2362, ESR-2685, ESR-3282  
ESR-4722, ESL-1388

# Design General Notes

Trusses are designed for wind loads in the plane of the truss unless otherwise shown.

Lumber design values are in accordance with ANSI/TP1 section 6.3. These truss designs rely on Lumber values established by others.

© 2023 MITek® All Rights Reserved

# General Safety Notes

## Failure to Follow Could Cause Property Damage or Personal Injury

1. Additional stability/bracing for truss system, e.g. diagonal or X-bracing, is always required. See BCSI.
2. Truss bracing must be designed by an engineer. For wide truss spacing, individual lateral braces themselves may require bracing, or alternative Tor I bracing should be considered.
3. Never exceed the design loading shown and never stack materials on inadequately braced trusses.
4. Provide copies of this truss design to the building designer, erection supervisor, property owner and all other interested parties.
5. Cut members to bear tightly against each other.
6. Place plates on each face of truss at each joint and embed fully. Knots and wane at joint locations are regulated by ANSI/TP1 1.
7. Design assumes trusses will be suitably protected from the environment in accord with ANSI/TP1 1.
8. Unless otherwise noted, moisture content of lumber shall not exceed 19% at time of fabrication.
9. Unless expressly noted, this design is not applicable for use with fire retardant, preservative treated, or green lumber.
10. Camber is a non-structural consideration and is the responsibility of truss fabricator. General practice is to camber for dead load deflection.
11. Plate type, size, orientation and location dimensions indicated are minimum plating requirements.
12. Lumber used shall be of the species and size, and in all respects, equal to or better than that specified.
13. Top chords must be sheathed or purlins provided at spacing indicated on design.
14. Bottom chords require lateral bracing at 10 ft. spacing, or less, if no ceiling is installed, unless otherwise noted.
15. Connections not shown are the responsibility of others.
16. Do not cut or alter truss member or plate without prior approval of an engineer.
17. Install and load vertically unless indicated otherwise.
18. Use of green or treated lumber may pose unacceptable environmental, health or performance risks. Consult with project engineer before use.
19. Review all portions of this design (front, back, words and pictures) before use. Reviewing pictures alone is not sufficient.
20. Design assumes manufacture in accordance with ANSI/TP1 1 Quality Criteria.
21. The design does not take into account any dynamic or other loads other than those expressly stated.

**MITek**

ENGINEERING BY  
**TRENGO**  
A MITek Affiliate

MITek Engineering Reference Sheet: MIL-7473 rev. 1/2/2023



# ROOF & FLOOR TRUSSES & BEAMS

Reilly Road Industrial Park  
Fayetteville, N.C. 28309  
Phone: (910) 864-8787  
Fax: (910) 864-4444

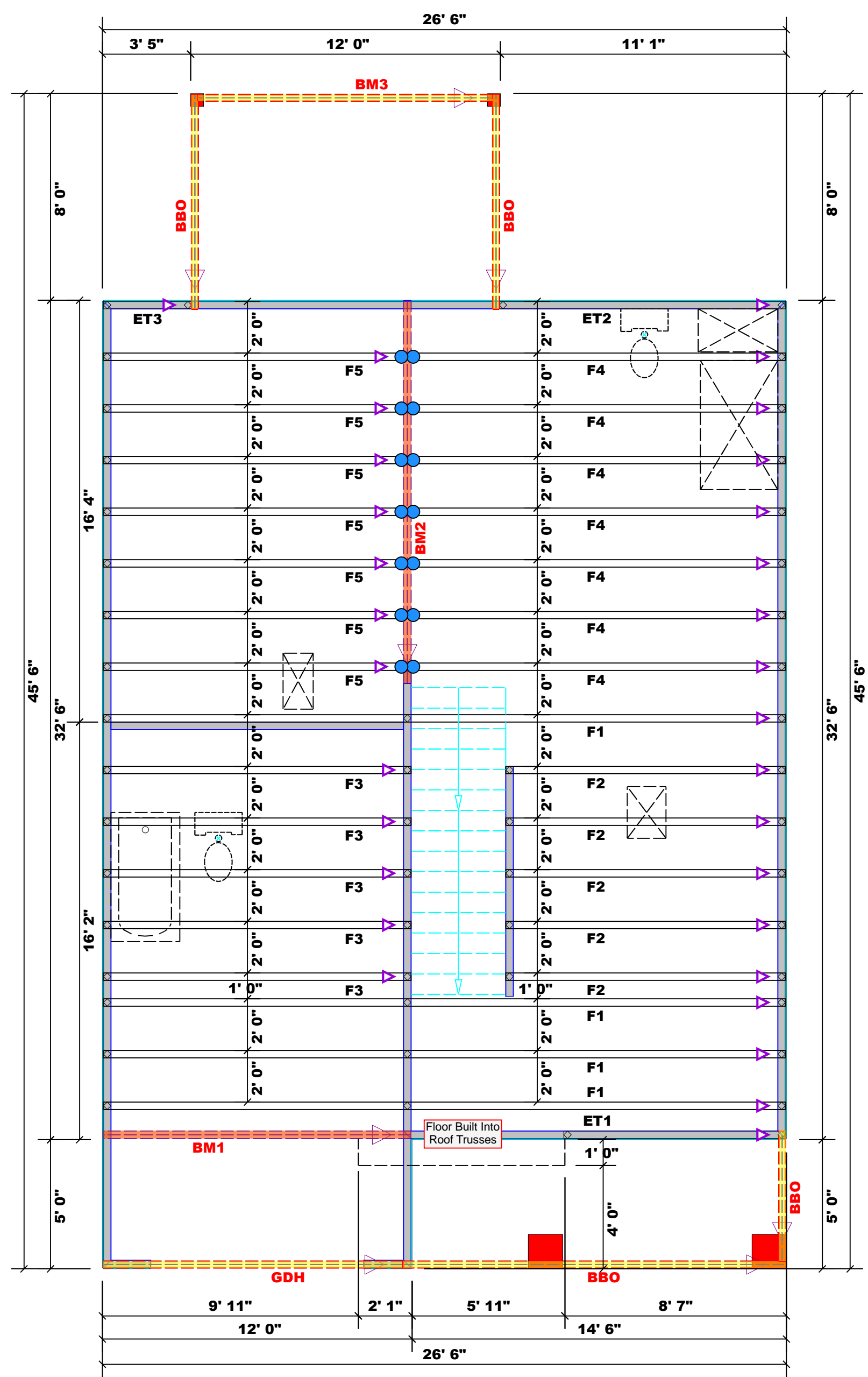
Bearing reactions less than or equal to 3000# are deemed to comply with the prescriptive Code requirements. The contractor shall refer to the attached Tables ( derived from the prescriptive Code requirements ) to determine the minimum foundation size and number of wood studs required to support reactions greater than 3000# but not greater than 15000#. A registered design professional shall be retained to design the support system for any reaction that exceeds those specified in the attached Tables. A registered design professional shall be retained to design the support system for all reactions that exceed 15000#.

Signature David Landry  
David Landry

### LOAD CHART FOR JACK STUDS

(BASED ON TABLES R502.5(1) & (b))  
NUMBER OF JACK STUDS REQUIRED @ EA END OF HEADER/GIRDER

END REACTION (UP TO)	REQ. STUDS FOR (1) PLATE	END REACTION (UP TO)	REQ. STUDS FOR (1) PLATE	END REACTION (UP TO)	REQ. STUDS FOR (1) PLATE
1700	1	2550	1	3400	1
3400	2	5100	2	6800	2
5100	3	7650	3	10200	3
6800	4	10200	4	13600	4
8500	5	12750	5	17000	5
10200	6	15300	6		
11900	7				
13600	8				
15300	9				



**Dimension Notes**

- All exterior wall to wall dimensions are to face of sheathing unless noted otherwise
- All interior wall dimensions are to face of frame wall unless noted otherwise
- All exterior wall to truss dimensions are to face of frame wall unless noted otherwise

**All Walls Shown Are Considered Load Bearing**

**Plumbing Drop Notes**

- Plumbing drop locations shown are NOT exact.
- Contractor to verify ALL plumbing drop locations prior to setting Floor Trusses.
- Adjust spacing as needed not to exceed 24"oc.

Connector Information					Nail Information	
Sym	Product	Manuf	Qty	Supported Member	Header	Truss
●	HUS410	USP	14	NA	16d/3-1/2"	16d/3-1/2"

Products					
PlotID	Length	Product	Plies	Net Qty	
BM1	12' 0"	1-3/4"x 16" LVL Kerto-S	2	2	
BM2	15' 0"	1-3/4"x 16" LVL Kerto-S	2	2	
BM3	12' 0"	2x10 SPF No.2	2	2	
GDH	12' 0"	2x12 SPF No.2	2	2	

1 Truss Placement Plan  
Scale: 1/4"=1'

BUILDER	CITY / CO.	ADDRESS	MODEL	DATE REV.	DRAWN BY	SALES REP.
Weaver Homes, Inc.	Lillington / Harnett	4214 Darrnoch Rd.	Floor	12/05/24	David Landry	Lenny Norris
JOB NAME	PLAN	SEAL DATE	QUOTE #	JOB #		
Lot 2 Maple Hill	Hickory "C" / GLF, CP	N/A		J1124-6267		

▲ = Indicates Left End of Truss  
(Reference Engineered Truss Drawing)  
Do NOT Erect Truss Backwards

THIS IS A TRUSS PLACEMENT DIAGRAM ONLY. These trusses are designed as individual building components to be incorporated into the building design at the specification of the building designer. See individual design sheets for each truss design identified on the placement drawing. The building designer is responsible for temporary and permanent bracing of the roof and floor system and for the overall structure. The design of the truss support structure including headers, beams, walls, and columns is the responsibility of the building designer. For general guidance regarding bracing, consult BCSI-B1 and BCSI-B3 provided with the truss delivery package or online @ sbcindustry.com



# ROOF & FLOOR TRUSSES & BEAMS

Reilly Road Industrial Park  
 Fayetteville, N.C. 28309  
 Phone: (910) 864-8787  
 Fax: (910) 864-4444

Bearing reactions less than or equal to 3000# are deemed to comply with the prescriptive Code requirements. The contractor shall refer to the attached Tables ( derived from the prescriptive Code requirements ) to determine the minimum foundation size and number of wood studs required to support reactions greater than 3000# but not greater than 15000#. A registered design professional shall be retained to design the support system for any reaction that exceeds those specified in the attached Tables. A registered design professional shall be retained to design the support system for all reactions that exceed 15000#.

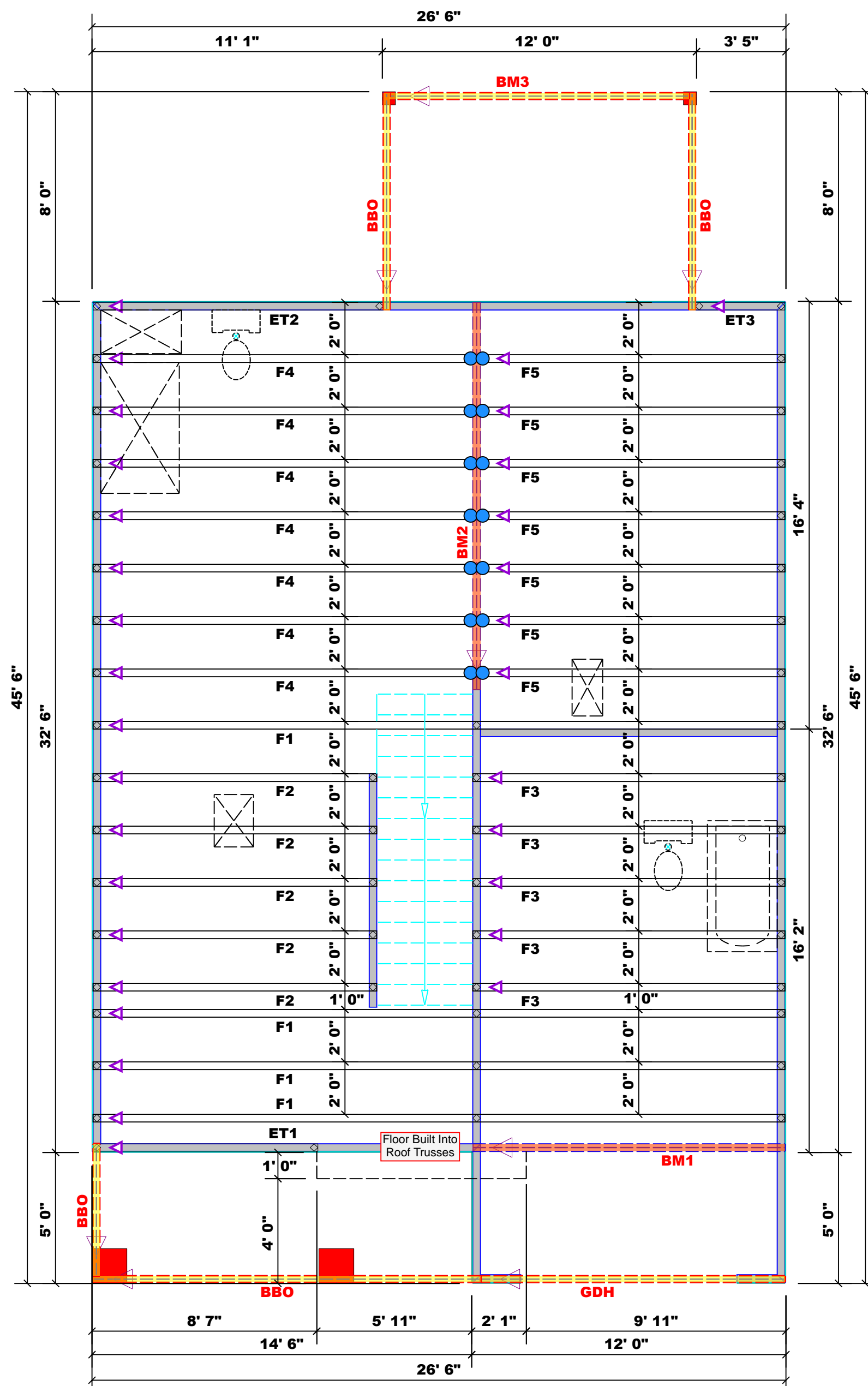
Signature *David Landry*

David Landry

### LOAD CHART FOR JACK STUDS

(BASED ON TABLES R502.5(1) & (b))  
 NUMBER OF JACK STUDS REQUIRED @ EA END OF HEADER/GIRDER

END REACTION (UP TO)	REQ. D. STUDS FOR (1) FLY HEADER	END REACTION (UP TO)	REQ. D. STUDS FOR (2) FLY HEADER	END REACTION (UP TO)	REQ. D. STUDS FOR (3) FLY HEADER
1700	1	2550	1	3400	1
3400	2	5100	2	6800	2
5100	3	7650	3	10200	3
6800	4	10200	4	13600	4
8500	5	12750	5	17000	5
10200	6	15300	6		
11900	7				
13600	8				
15300	9				



**Dimension Notes**

- All exterior wall to wall dimensions are to face of sheathing unless noted otherwise
- All interior wall dimensions are to face of frame wall unless noted otherwise
- All exterior wall to truss dimensions are to face of frame wall unless noted otherwise

**All Walls Shown Are Considered Load Bearing**

**Plumbing Drop Notes**

- Plumbing drop locations shown are NOT exact.
- Contractor to verify ALL plumbing drop locations prior to setting Floor Trusses.
- Adjust spacing as needed not to exceed 24" oc.

Connector Information					Nail Information	
Sym	Product	Manuf	Qty	Supported Member	Header	Truss
●	HUS410	USP	14	NA	16d/3-1/2"	16d/3-1/2"

Products					
PlotID	Length	Product	Plies	Net Qty	
BM1	12' 0"	1-3/4"x 16" LVL Kerto-S	2	2	
BM2	15' 0"	1-3/4"x 16" LVL Kerto-S	2	2	
BM3	12' 0"	2x10 SPF No.2	2	2	
GDH	12' 0"	2x12 SPF No.2	2	2	

1 Truss Placement Plan  
 Scale: 1/4"=1'

BUILDER	CITY / CO.	WEAVER HOMES, INC.	LILLINGTON / HARNETT
JOB NAME	ADDRESS	Lot 2 Maple Hill	4214 Darroch Rd.
PLAN	MODEL	Hickory "C" / GLF, CP	Floor
SEAL DATE	DATE REV.	N/A	12/05/24
QUOTE #	DRAWN BY		David Landry
JOB #	SALES REP.	J1124-6267	Lenny Norris

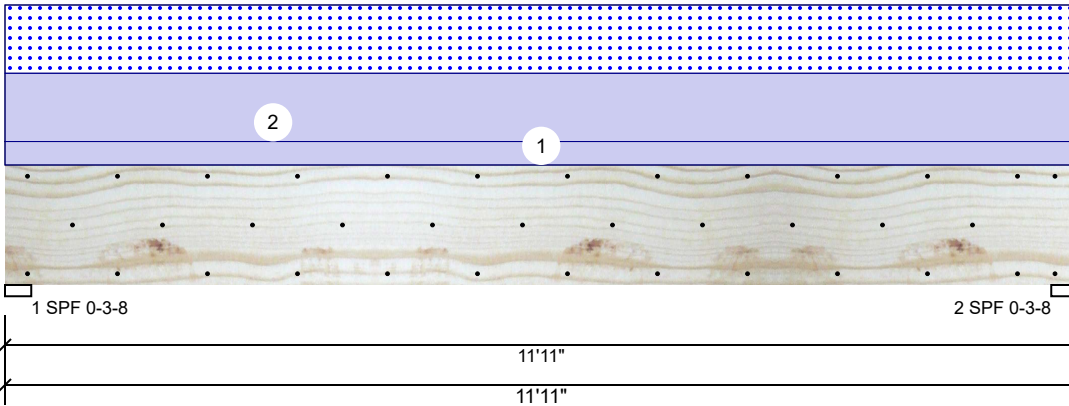
THIS IS A TRUSS PLACEMENT DIAGRAM ONLY. These trusses are designed as individual building components to be incorporated into the building design at the specification of the building designer. See individual design sheets for each truss design identified on the placement drawing. The building designer is responsible for temporary and permanent bracing of the roof and floor system and for the overall structure. The design of the truss support structure including headers, beams, walls, and columns is the responsibility of the building designer. For general guidance regarding bracing, consult BCSI-B1 and BCSI-B3 provided with the truss delivery package or online @ sbcindustry.com

**▲ = Indicates Left End of Truss (Reference Engineered Truss Drawing)**  
**Do NOT Erect Truss Backwards**



**BM1 Kerto-S LVL 1.750" X 16.000" 2-Ply - PASSED**

Level: Level



**Member Information**

Type:	Girder	Application:	Floor
Plies:	2	Design Method:	ASD
Moisture Condition:	Dry	Building Code:	IBC/IRC 2015
Deflection LL:	480	Load Sharing:	No
Deflection TL:	360	Deck:	Not Checked
Importance:	Normal - II	Ceiling:	Gypsum 1/2"
Temperature:	Temp <= 100°F		

**Reactions UNPATTERNED lb (Uplift)**

Brg	Direction	Live	Dead	Snow	Wind	Const
1	Vertical	0	2869	2079	0	0
2	Vertical	0	2869	2079	0	0

**Bearings**

Bearing	Length	Dir.	Cap.	React D/L lb	Total	Ld. Case	Ld. Comb.
1 - SPF	3.500"	Vert	95%	2869 / 2079	4948	L	D+S
2 - SPF	3.500"	Vert	95%	2869 / 2079	4948	L	D+S

**Analysis Results**

Analysis	Actual	Location	Allowed	Capacity	Comb.	Case
Moment	13679 ft-lb	5'11 1/2"	39750 ft-lb	0.344 (34%)	D+S	L
Unbraced	13679 ft-lb	5'11 1/2"	13699 ft-lb	0.999 (100%)	D+S	L
Shear	3615 lb	1'7 1/2"	13739 lb	0.263 (26%)	D+S	L
LL Defl inch	0.069 (L/2000)	5'11 1/2"	0.287 (L/480)	0.240 (24%)	S	L
TL Defl inch	0.164 (L/840)	5'11 1/2"	0.383 (L/360)	0.428 (43%)	D+S	L

**Design Notes**

- Provide support to prevent lateral movement and rotation at the end bearings. Lateral support may also be required at the interior bearings by the building code.
- Fasten all plies using 3 rows of 10d Box nails (.128x3") at 12" o.c. Maximum end distance not to exceed 6".
- Refer to last page of calculations for fasteners required for specified loads.
- Girders are designed to be supported on the bottom edge only.
- Top loads must be supported equally by all plies.
- Top must be laterally braced at a maximum of 8'8 3/8" o.c.
- Lateral slenderness ratio based on single ply width.

ID	Load Type	Location	Trib Width	Side	Dead 0.9	Live 1	Snow 1.15	Wind 1.6	Const. 1.25	Comments
1	Uniform			Top	120 PLF	0 PLF	0 PLF	0 PLF	0 PLF	Wall
2	Uniform			Top	349 PLF	0 PLF	349 PLF	0 PLF	0 PLF	A2
	Self Weight				12 PLF					

**Notes**

Calculated Structured Designs is responsible only of the structural adequacy of this component based on the design criteria and loadings shown. It is the responsibility of the customer and/or the contractor to ensure the component suitability of the intended application, and to verify the dimensions and loads.

**Lumber**

- Dry service conditions, unless noted otherwise
- LVL not to be treated with fire retardant or corrosive chemicals

**Handling & Installation**

- LVL beams must not be cut or drilled
- Refer to manufacturer's product information regarding installation requirements, multi-ply fastening details, beam strength values, and code approvals
- Damaged Beams must not be used
- Design assumes top edge is laterally restrained
- Provide lateral support at bearing points to avoid lateral displacement and rotation

6. For flat roofs provide proper drainage to prevent ponding

This design is valid until 6/28/2026

**Manufacturer Info**

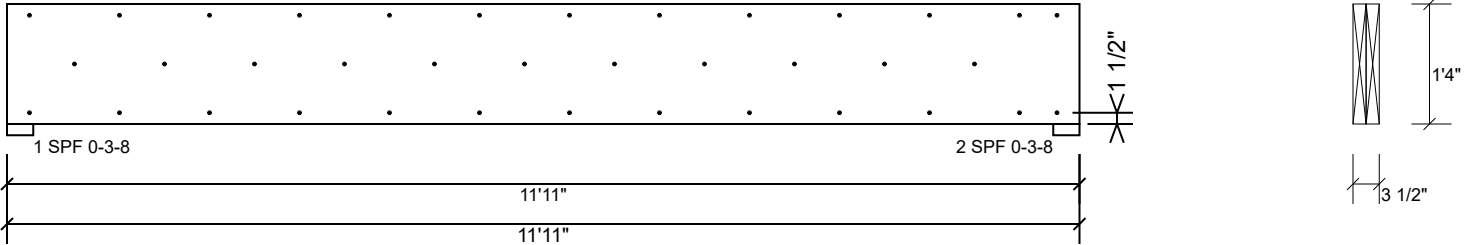
Metsä Wood  
 301 Merritt 7 Building, 2nd Floor  
 Norwalk, CT 06851  
 (800) 622-5850  
[www.metsawood.com/us](http://www.metsawood.com/us)

Comtech, Inc.  
 1001 S Reilly Rd., NC  
 28314  
 (910) 864-8787



**BM1 Kerto-S LVL 1.750" X 16.000" 2-Ply - PASSED**

Level: Level



**Multi-Ply Analysis**

Fasten all plies using 3 rows of 10d Box nails (.128x3") at 12" o.c.. Maximum end distance not to exceed 6".

Capacity	0.0 %
Load	0.0 PLF
Yield Limit per Foot	245.6 PLF
Yield Limit per Fastener	81.9 lb.
C <sub>m</sub>	1
Yield Mode	IV
Edge Distance	1 1/2"
Min. End Distance	3"
Load Combination	
Duration Factor	1.00

**Notes**

Calculated Structured Designs is responsible only of the structural adequacy of this component based on the design criteria and loadings shown. It is the responsibility of the customer and/or the contractor to ensure the component suitability of the intended application, and to verify the dimensions and loads.

**Lumber**

1. Dry service conditions, unless noted otherwise
2. LVL not to be treated with fire retardant or corrosive

chemicals

**Handling & Installation**

1. LVL beams must not be cut or drilled
2. Refer to manufacturer's product information regarding installation requirements, multi-ply fastening details, beam strength values, and code approvals
3. Damaged Beams must not be used
4. Design assumes top edge is laterally restrained
5. Provide lateral support at bearing points to avoid lateral displacement and rotation

6. For flat roofs provide proper drainage to prevent ponding

This design is valid until 6/28/2026

**Manufacturer Info**

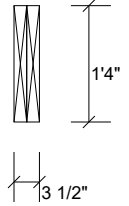
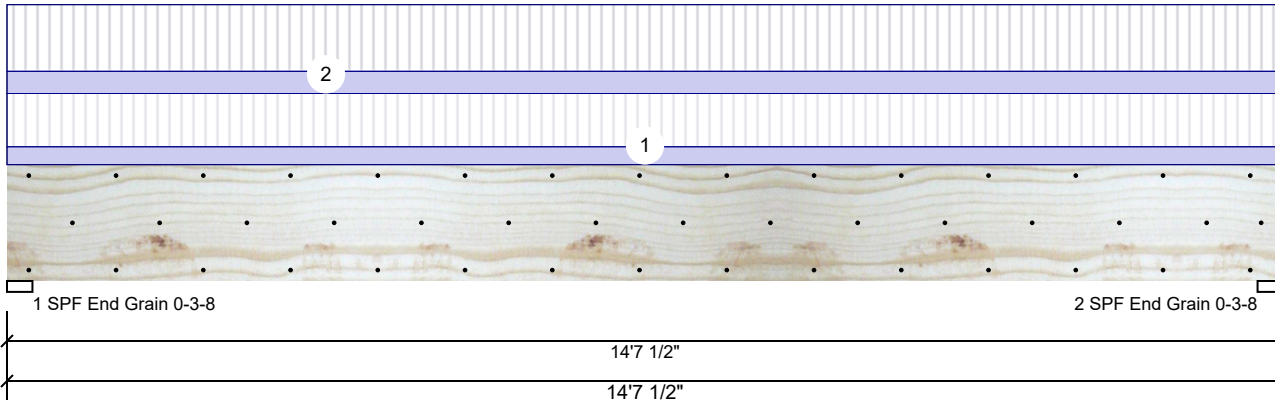
Metsä Wood  
 301 Merritt 7 Building, 2nd Floor  
 Norwalk, CT 06851  
 (800) 622-5850  
[www.metsawood.com/us](http://www.metsawood.com/us)

Comtech, Inc.  
 1001 S Reilly Rd., NC  
 28314  
 (910) 864-8787



**BM2 Kerto-S LVL 1.750" X 16.000" 2-Ply - PASSED**

Level: Level



**Member Information**

Type:	Girder	Application:	Floor
Plies:	2	Design Method:	ASD
Moisture Condition:	Dry	Building Code:	IBC/IRC 2015
Deflection LL:	480	Load Sharing:	No
Deflection TL:	360	Deck:	Not Checked
Importance:	Normal - II	Ceiling:	Gypsum 1/2"
Temperature:	Temp <= 100°F		

**Reactions UNPATTERNED lb (Uplift)**

Brg	Direction	Live	Dead	Snow	Wind	Const
1	Vertical	3868	1385	0	0	0
2	Vertical	3868	1385	0	0	0

**Bearings**

Bearing	Length	Dir.	Cap.	React D/L lb	Total	Ld. Case	Ld. Comb.
1 - SPF End Grain	3.500"	Vert	51%	1385 / 3868	5254	L	D+L
2 - SPF End Grain	3.500"	Vert	51%	1385 / 3868	5254	L	D+L

**Analysis Results**

Analysis	Actual	Location	Allowed	Capacity	Comb.	Case
Moment	18077 ft-lb	7'3 3/4"	34565 ft-lb	0.523 (52%)	D+L	L
Unbraced	18077 ft-lb	7'3 3/4"	18085 ft-lb	1.000 (100%)	D+L	L
Shear	5044 lb	1'7 1/2"	11947 lb	0.422 (42%)	D+L	L
LL Defl inch	0.229 (L/743)	7'3 13/16"	0.355 (L/480)	0.646 (65%)	L	L
TL Defl inch	0.311 (L/547)	7'3 13/16"	0.473 (L/360)	0.658 (66%)	D+L	L

**Design Notes**

- Provide support to prevent lateral movement and rotation at the end bearings. Lateral support may also be required at the interior bearings by the building code.
- Fasten all plies using 3 rows of 10d Box nails (.128x3") at 12" o.c. Maximum end distance not to exceed 6".
- Refer to last page of calculations for fasteners required for specified loads.
- Girders are designed to be supported on the bottom edge only.
- Top must be laterally braced at a maximum of 6'5 1/8" o.c.
- Lateral slenderness ratio based on single ply width.

ID	Load Type	Location	Trib Width	Side	Dead 0.9	Live 1	Snow 1.15	Wind 1.6	Const. 1.25	Comments
1	Uniform			Near Face	79 PLF	235 PLF	0 PLF	0 PLF	0 PLF	F5
2	Uniform			Far Face	98 PLF	294 PLF	0 PLF	0 PLF	0 PLF	F4
	Self Weight				12 PLF					

**Notes**

Calculated Structured Designs is responsible only of the structural adequacy of this component based on the design criteria and loadings shown. It is the responsibility of the customer and/or the contractor to ensure the component suitability of the intended application, and to verify the dimensions and loads.

**Lumber**

- Dry service conditions, unless noted otherwise
- LVL not to be treated with fire retardant or corrosive chemicals

chemicals

**Handling & Installation**

- LVL beams must not be cut or drilled
- Refer to manufacturer's product information regarding installation requirements, multi-ply fastening details, beam strength values, and code approvals
- Damaged Beams must not be used
- Design assumes top edge is laterally restrained
- Provide lateral support at bearing points to avoid lateral displacement and rotation

- For flat roofs provide proper drainage to prevent ponding

This design is valid until 6/28/2026

**Manufacturer Info**

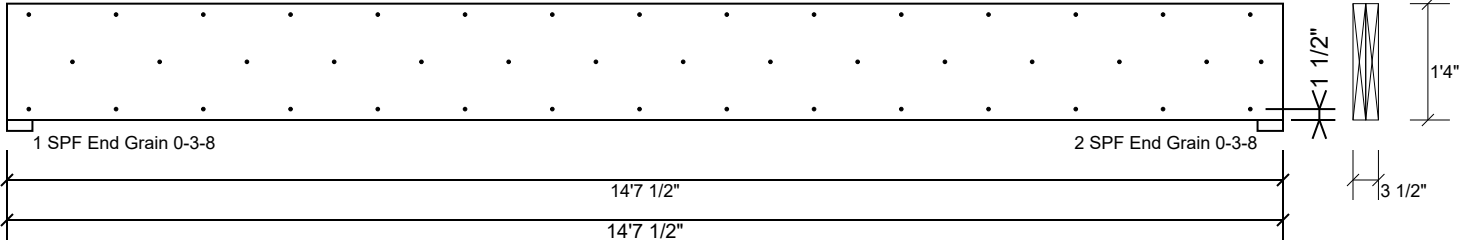
Metsä Wood  
 301 Merritt 7 Building, 2nd Floor  
 Norwalk, CT 06851  
 (800) 622-5850  
[www.metsawood.com/us](http://www.metsawood.com/us)

Comtech, Inc.  
 1001 S Reilly Rd., NC  
 28314  
 (910) 864-8787



**BM2 Kerto-S LVL 1.750" X 16.000" 2-Ply - PASSED**

Level: Level



**Multi-Ply Analysis**

Fasten all plies using 3 rows of 10d Box nails (.128x3") at 12" o.c.. Maximum end distance not to exceed 6".

Capacity	79.8 %
Load	196.0 PLF
Yield Limit per Foot	245.6 PLF
Yield Limit per Fastener	81.9 lb.
C <sub>m</sub>	1
Yield Mode	IV
Edge Distance	1 1/2"
Min. End Distance	3"
Load Combination	D+L
Duration Factor	1.00

**Notes**

Calculated Structured Designs is responsible only of the structural adequacy of this component based on the design criteria and loadings shown. It is the responsibility of the customer and/or the contractor to ensure the component suitability of the intended application, and to verify the dimensions and loads.

**Lumber**

1. Dry service conditions, unless noted otherwise
2. LVL not to be treated with fire retardant or corrosive chemicals

**Handling & Installation**

1. LVL beams must not be cut or drilled
2. Refer to manufacturer's product information regarding installation requirements, multi-ply fastening details, beam strength values, and code approvals
3. Damaged Beams must not be used
4. Design assumes top edge is laterally restrained
5. Provide lateral support at bearing points to avoid lateral displacement and rotation

6. For flat roofs provide proper drainage to prevent ponding

This design is valid until 6/28/2026

**Manufacturer Info**

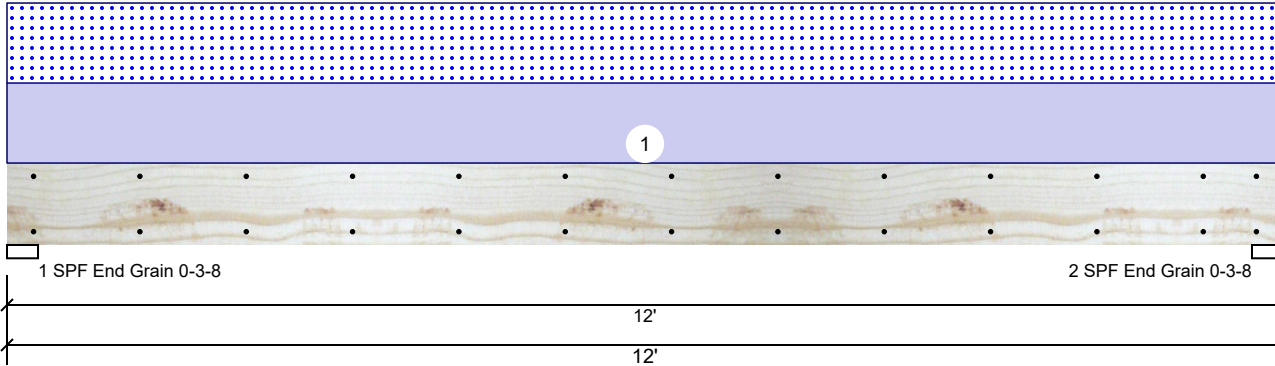
Metsä Wood  
 301 Merritt 7 Building, 2nd Floor  
 Norwalk, CT 06851  
 (800) 622-5850  
[www.metsawood.com/us](http://www.metsawood.com/us)

Comtech, Inc.  
 1001 S Reilly Rd., NC  
 28314  
 (910) 864-8787



**BM3 S-P-F #2 2.000" X 10.000" 2-Ply - PASSED**

Level: Level



**Member Information**

Type:	Girder	Application:	Floor
Plies:	2	Design Method:	ASD
Moisture Condition:	Dry	Building Code:	IBC/IRC 2015
Deflection LL:	480	Load Sharing:	No
Deflection TL:	360	Deck:	Not Checked
Importance:	Normal - II	Ceiling:	Gypsum 1/2"
Temperature:	Temp <= 100°F		

**Reactions UNPATTERNED lb (Uplift)**

Brg	Direction	Live	Dead	Snow	Wind	Const
1	Vertical	0	564	564	0	0
2	Vertical	0	564	564	0	0

**Bearings**

Bearing	Length	Dir.	Cap.	React D/L lb	Total	Ld. Case	Ld. Comb.
1 - SPF End Grain	3.500"	Vert	25%	564 / 564	1128	L	D+S
2 - SPF End Grain	3.500"	Vert	25%	564 / 564	1128	L	D+S

**Analysis Results**

Analysis	Actual	Location	Allowed	Capacity	Comb.	Case
Moment	3130 ft-lb	6'	3946 ft-lb	0.793 (79%)	D+S	L
Unbraced	3130 ft-lb	6'	3131 ft-lb	1.000 (100%)	D+S	L
Shear	928 lb	10'11 1/4"	2872 lb	0.323 (32%)	D+S	L
LL Defl inch	0.135 (L/1022)	6'	0.289 (L/480)	0.470 (47%)	S	L
TL Defl inch	0.271 (L/511)	6'	0.385 (L/360)	0.704 (70%)	D+S	L

**Design Notes**

- 1 Provide support to prevent lateral movement and rotation at the end bearings. Lateral support may also be required at the interior bearings by the building code.
- 2 Fasten all plies using 2 rows of 10d Box nails (.128x3") at 12" o.c. Maximum end distance not to exceed 6".
- 3 Refer to last page of calculations for fasteners required for specified loads.
- 4 Girders are designed to be supported on the bottom edge only.
- 5 Top loads must be supported equally by all plies.
- 6 Top must be laterally braced at a maximum of 8'8 11/16" o.c.
- 7 Lateral slenderness ratio based on single ply width.

ID	Load Type	Location	Trib Width	Side	Dead 0.9	Live 1	Snow 1.15	Wind 1.6	Const. 1.25	Comments
1	Uniform			Top	94 PLF	0 PLF	94 PLF	0 PLF	0 PLF	C1

**Manufacturer Info**

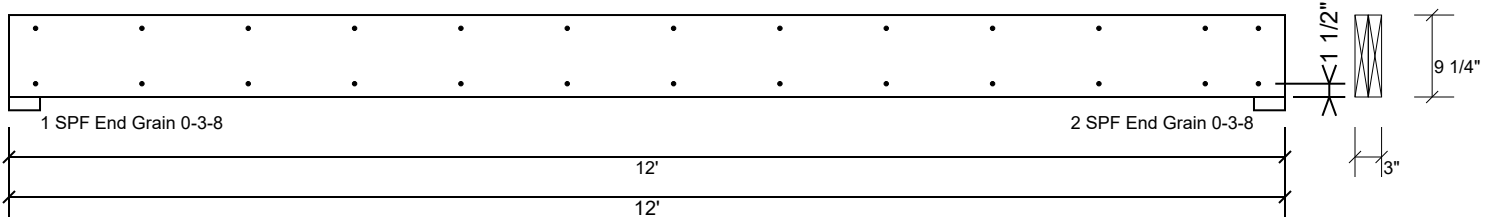
Comtech, Inc.  
 1001 S Reilly Rd., NC  
 28314  
 (910) 864-8787



This design is valid until 6/28/2026

**BM3 S-P-F #2 2.000" X 10.000" 2-Ply - PASSED**

Level: Level



**Multi-Ply Analysis**

Fasten all plies using 2 rows of 10d Box nails (.128x3") at 12" o.c.. Maximum end distance not to exceed 6".

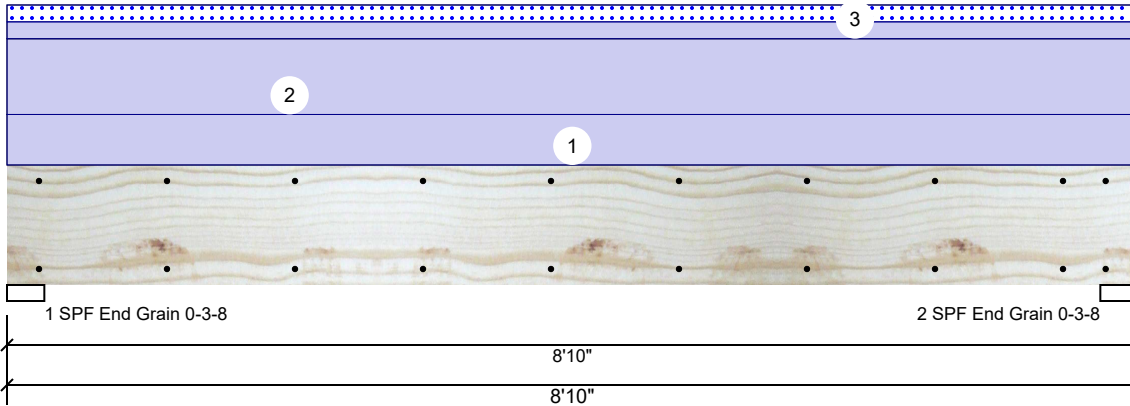
Capacity	0.0 %
Load	0.0 PLF
Yield Limit per Foot	157.4 PLF
Yield Limit per Fastener	78.7 lb.
C <sub>m</sub>	1
Yield Mode	IV
Edge Distance	1 1/2"
Min. End Distance	3"
Load Combination	
Duration Factor	1.00

<b>Manufacturer Info</b>	Comtech, Inc. 1001 S Reilly Rd., NC 28314 (910) 864-8787

This design is valid until 6/28/2026

**GDH S-P-F #2 2.000" X 12.000" 2-Ply - PASSED**

Level: Level



**Member Information**

Type:	Girder	Application:	Floor
Plies:	2	Design Method:	ASD
Moisture Condition:	Dry	Building Code:	IBC/IRC 2015
Deflection LL:	480	Load Sharing:	No
Deflection TL:	360	Deck:	Not Checked
Importance:	Normal - II	Ceiling:	Gypsum 1/2"
Temperature:	Temp <= 100°F		

**Reactions UNPATTERNED Ib (Uplift)**

Brg	Direction	Live	Dead	Snow	Wind	Const
1	Vertical	0	751	88	0	0
2	Vertical	0	751	88	0	0

**Bearings**

Bearing	Length	Dir.	Cap.	React D/L lb	Total	Ld. Case	Ld. Comb.
1 - SPF End Grain	3.500"	Vert	19%	751 / 88	839	L	D+S
2 - SPF End Grain	3.500"	Vert	19%	751 / 88	839	L	D+S

**Analysis Results**

Analysis	Actual	Location	Allowed	Capacity	Comb.	Case
Moment	1490 ft-lb	4'5"	4153 ft-lb	0.359 (36%)	D	Uniform
Unbraced	1490 ft-lb	4'5"	3539 ft-lb	0.421 (42%)	D	Uniform
Shear	542 lb	1'2 3/4"	2734 lb	0.198 (20%)	D	Uniform
LL Defl inch (L/22622)	0.004	4'5 1/16"	0.209 (L/480)	0.021 (2%)	S	L
TL Defl inch (L/2381)	0.042	4'5 1/16"	0.279 (L/360)	0.151 (15%)	D+S	L

**Design Notes**

- 1 Provide support to prevent lateral movement and rotation at the end bearings. Lateral support may also be required at the interior bearings by the building code.
- 2 Fasten all plies using 2 rows of 10d Box nails (.128x3") at 12" o.c. Maximum end distance not to exceed 6".
- 3 Refer to last page of calculations for fasteners required for specified loads.
- 4 Girders are designed to be supported on the bottom edge only.
- 5 Top loads must be supported equally by all plies.
- 6 Top must be laterally braced at end bearings.
- 7 Lateral slenderness ratio based on single ply width.

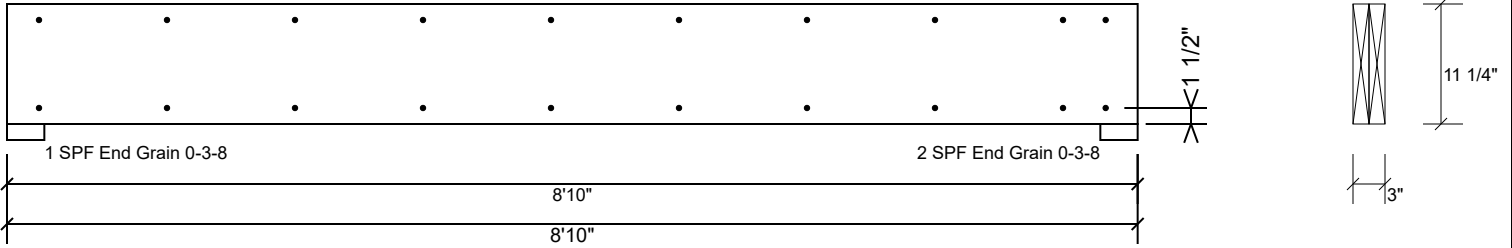
ID	Load Type	Location	Trib Width	Side	Dead 0.9	Live 1	Snow 1.15	Wind 1.6	Const. 1.25	Comments
1	Uniform			Top	60 PLF	0 PLF	0 PLF	0 PLF	0 PLF	Wall
2	Uniform			Top	90 PLF	0 PLF	0 PLF	0 PLF	0 PLF	B1GE
3	Tie-In	0-0-0 to 8-10-0	1-0-0	Top	20 PSF	0 PSF	20 PSF	0 PSF	0 PSF	Roof Load

<b>Manufacturer Info</b>	Comtech, Inc. 1001 S Reilly Rd., NC 28314 (910) 864-8787

This design is valid until 6/28/2026

**GDH S-P-F #2 2.000" X 12.000" 2-Ply - PASSED**

Level: Level



**Multi-Ply Analysis**

Fasten all plies using 2 rows of 10d Box nails (.128x3") at 12" o.c.. Maximum end distance not to exceed 6".

Capacity	0.0 %
Load	0.0 PLF
Yield Limit per Foot	157.4 PLF
Yield Limit per Fastener	78.7 lb.
C <sub>m</sub>	1
Yield Mode	IV
Edge Distance	1 1/2"
Min. End Distance	3"
Load Combination	
Duration Factor	1.00

<b>Manufacturer Info</b>	Comtech, Inc. 1001 S Reilly Rd., NC 28314 (910) 864-8787

This design is valid until 6/28/2026



Trenco  
818 Soundside Rd  
Edenton, NC 27932

Re: J1124-6267  
Lot 2 Maple Hill

The truss drawing(s) referenced below have been prepared by Truss Engineering Co. under my direct supervision based on the parameters provided by Comtech, Inc - Fayetteville.

Pages or sheets covered by this seal: I70024575 thru I70024582

My license renewal date for the state of North Carolina is December 31, 2024.

North Carolina COA: C-0844



December 6, 2024

Gilbert, Eric

**IMPORTANT NOTE:** The seal on these truss component designs is a certification that the engineer named is licensed in the jurisdiction(s) identified and that the designs comply with ANSI/TPI 1. These designs are based upon parameters shown (e.g., loads, supports, dimensions, shapes and design codes), which were given to MiTek or TRENCO. Any project specific information included is for MiTek's or TRENCO's customers file reference purpose only, and was not taken into account in the preparation of these designs. MiTek or TRENCO has not independently verified the applicability of the design parameters or the designs for any particular building. Before use, the building designer should verify applicability of design parameters and properly incorporate these designs into the overall building design per ANSI/TPI 1, Chapter 2.

Job	Truss	Truss Type	Qty	Ply	Lot 2 Maple Hill	170024575
J1124-6267	ET1	GABLE	1	1		
Comtech, Inc. Fayetteville, NC - 28314,						Job Reference (optional)

8.530 s Aug 2 2023 MiTek Industries, Inc. Thu Dec 5 16:12:19 2024 Page 1  
 ID:1yUksKymplk2404ufZYCrxyoKUD-LTf9A4VAwjM51?K11nWKFnUeUR\_tGFj45v7fyBz6w



Plate Offsets (X, Y)--	[5:0-1-8,Edge], [17:0-1-8,0-1-8], [18:0-1-8,0-1-8]
------------------------	--

LOADING (psf)	SPACING-	2-0-0	CSI.	DEFL.	in (loc)	l/defl	L/d	PLATES	GRIP
TCLL 40.0	Plate Grip DOL	1.00	TC 0.10	Vert(LL)	n/a	-	n/a	MT20	244/190
TCDL 10.0	Lumber DOL	1.00	BC 0.00	Vert(CT)	n/a	-	n/a		
BCLL 0.0	Rep Stress Incr	YES	WB 0.04	Horz(CT)	0.00	9	n/a		
BCDL 5.0	Code IRC2015/TPI2014		Matrix-P					Weight: 54 lb	FT = 20%F, 11%E

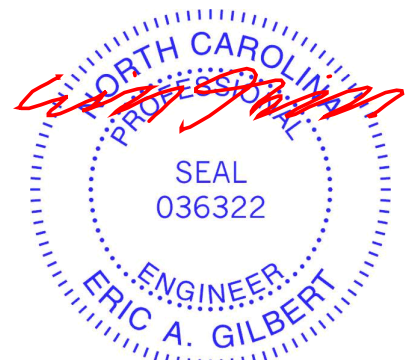
LUMBER-	BRACING-
TOP CHORD 2x4 SP No.1(flat)	TOP CHORD Structural wood sheathing directly applied or 6-0-0 oc purlins, except end verticals.
BOT CHORD 2x4 SP No.1(flat)	BOT CHORD Rigid ceiling directly applied or 10-0-0 oc bracing.
WEBS 2x4 SP No.3(flat)	
OTHERS 2x4 SP No.3(flat)	

**REACTIONS.** All bearings 8-7-0.  
 (lb) - Max Grav All reactions 250 lb or less at joint(s) 16, 9, 15, 14, 13, 12, 11, 10


**FORCES.** (lb) - Max. Comp./Max. Ten. - All forces 250 (lb) or less except when shown.

- NOTES-**
- Plates checked for a plus or minus 1 degree rotation about its center.
  - Gable requires continuous bottom chord bearing.
  - Truss to be fully sheathed from one face or securely braced against lateral movement (i.e. diagonal web).
  - Gable studs spaced at 1-4-0 oc.
  - Recommend 2x6 strongbacks, on edge, spaced at 10-0-0 oc and fastened to each truss with 3-10d (0.131" X 3") nails. Strongbacks to be attached to walls at their outer ends or restrained by other means.

**LOAD CASE(S)** Standard  
 1) Dead + Floor Live (balanced): Lumber Increase=1.00, Plate Increase=1.00  
 Uniform Loads (plf)  
 Vert: 9-16=-10, 1-8=-100  
 Concentrated Loads (lb)  
 Vert: 4=-71 7=-77 19=-71 20=-71



December 6, 2024

<p><b>WARNING - Verify design parameters and READ NOTES ON THIS AND INCLUDED MITEK REFERENCE PAGE MII-7473 rev. 1/2/2023 BEFORE USE.</b></p> <p>Design valid for use only with MiTek® connectors. This design is based only upon parameters shown, and is for an individual building component, not a truss system. Before use, the building designer must verify the applicability of design parameters and properly incorporate this design into the overall building design. Bracing indicated is to prevent buckling of individual truss web and/or chord members only. Additional temporary and permanent bracing is always required for stability and to prevent collapse with possible personal injury and property damage. For general guidance regarding the fabrication, storage, delivery, erection and bracing of trusses and truss systems, see <b>ANSI/TP1 Quality Criteria and DSB-22</b> available from Truss Plate Institute (www.tpinst.org) and <b>BCSI Building Component Safety Information</b> available from the Structural Building Component Association (www.sbcacomponents.com)</p>	<p>ENGINEERING BY</p>  <p>A MiTek Affiliate</p> <p>818 Soundside Road        Edenton, NC 27932</p>
--	---

Job	Truss	Truss Type	Qty	Ply	Lot 2 Maple Hill	170024576
J1124-6267	ET2	GABLE	1	1	Job Reference (optional)	

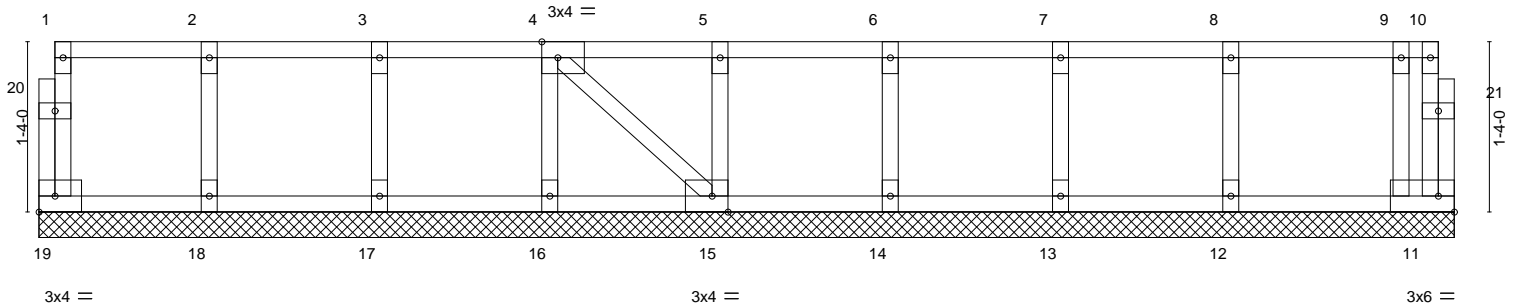
Comtech, Inc. Fayetteville, NC - 28314,

8.530 s Aug 2 2023 MiTek Industries, Inc. Thu Dec 5 16:12:19 2024 Page 1  
 ID:1yUksKymplk2404ufZYCrxyoKUD-LTf9A4VAwjM51?K11nWkFnVCURtGOjj45v7fyBz6w

0,1-8

0,1-8

Scale = 1:18.0



1-4-0	2-8-0	4-0-0	5-4-0	6-8-0	8-0-0	9-4-0	10-8-0	11-1-0
1-4-0	1-4-0	1-4-0	1-4-0	1-4-0	1-4-0	1-4-0	1-4-0	0-5-0

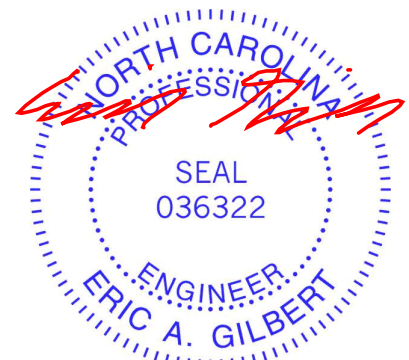
Plate Offsets (X,Y)-- [4:0-1-8,Edge], [15:0-1-8,Edge]									
<b>LOADING</b> (psf)	<b>SPACING-</b>	2-0-0	<b>CSI.</b>	<b>DEFL.</b>	in (loc)	l/defl	L/d	<b>PLATES</b>	<b>GRIP</b>
TCLL 40.0	Plate Grip DOL	1.00	TC 0.06	Vert(LL)	n/a	-	n/a	MT20	244/190
TCDL 10.0	Lumber DOL	1.00	BC 0.01	Vert(CT)	n/a	-	n/a		
BCLL 0.0	Rep Stress Incr	YES	WB 0.03	Horz(CT)	0.00	11	n/a		
BCDL 5.0	Code IRC2015/TPI2014		Matrix-S						
								Weight: 54 lb	FT = 20%F, 11%E

<b>LUMBER-</b>	<b>BRACING-</b>
TOP CHORD 2x4 SP No.1(flat)	TOP CHORD Structural wood sheathing directly applied or 6-0-0 oc purlins, except end verticals.
BOT CHORD 2x4 SP No.1(flat)	BOT CHORD Rigid ceiling directly applied or 10-0-0 oc bracing.
WEBS 2x4 SP No.3(flat)	
OTHERS 2x4 SP No.3(flat)	

**REACTIONS.** All bearings 11-1-0.  
 (lb) - Max Grav All reactions 250 lb or less at joint(s) 19, 11, 18, 17, 16, 15, 14, 13, 12

**FORCES.** (lb) - Max. Comp./Max. Ten. - All forces 250 (lb) or less except when shown.

- NOTES-**
- All plates are 1.5x3 MT20 unless otherwise indicated.
  - Plates checked for a plus or minus 1 degree rotation about its center.
  - Gable requires continuous bottom chord bearing.
  - Truss to be fully sheathed from one face or securely braced against lateral movement (i.e. diagonal web).
  - Gable studs spaced at 1-4-0 oc.
  - Recommend 2x6 strongbacks, on edge, spaced at 10-0-0 oc and fastened to each truss with 3-10d (0.131" X 3") nails. Strongbacks to be attached to walls at their outer ends or restrained by other means.



December 6, 2024

Job J1124-6267	Truss ET3	Truss Type Floor Supported Gable	Qty 1	Ply 1	Lot 2 Maple Hill Job Reference (optional)	170024577
-------------------	--------------	-------------------------------------	----------	----------	--	-----------

Comtech, Inc. Fayetteville, NC - 28314,

8.530 s Aug 2 2023 MiTek Industries, Inc. Thu Dec 5 16:12:20 2024 Page 1

ID:1yUksKymplk2404ufZYCrxyoKUD-pfDXNQWoh1Uye9vxb0lItSKg7unAcjsykrTg5yBz6v

3x4 = 0-1-8

1 3x4 ||                      2 1.5x3 ||                      3                      4 1.5x3 ||

Scale = 1:9.4

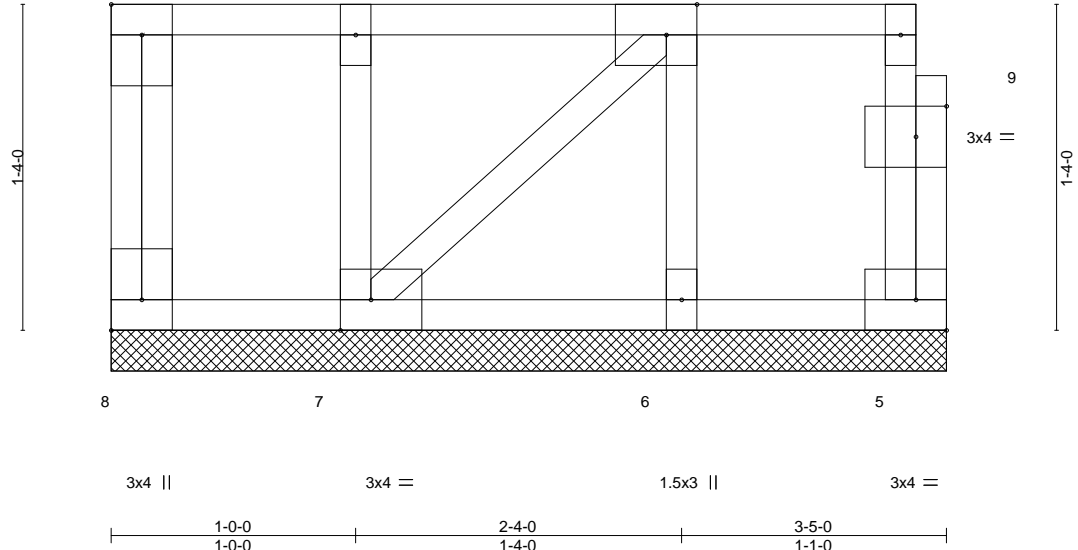


Plate Offsets (X,Y)-- [1:Edge,0-1-8], [3:0-1-8,Edge], [7:0-1-8,Edge], [8:Edge,0-1-8], [9:0-1-8,0-1-8]

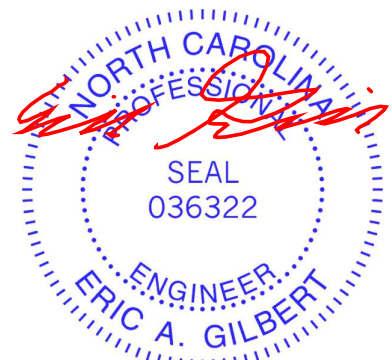
LOADING (psf)	SPACING-	2-0-0	CSI.	DEFL.	in (loc)	l/defl	L/d	PLATES	GRIP	
TCLL 40.0	Plate Grip DOL	1.00	TC 0.05	Vert(LL)	n/a	-	n/a	999	MT20	244/190
TCDL 10.0	Lumber DOL	1.00	BC 0.01	Vert(CT)	n/a	-	n/a	999		
BCLL 0.0	Rep Stress Incr	YES	WB 0.03	Horz(CT)	0.00	5	n/a	n/a		
BCDL 5.0	Code	IRC2015/TPI2014	Matrix-P						Weight: 22 lb	FT = 20%F, 11%E

LUMBER-	BRACING-
TOP CHORD 2x4 SP No.1(flat)	TOP CHORD Structural wood sheathing directly applied or 3-5-0 oc purlins, except end verticals.
BOT CHORD 2x4 SP No.1(flat)	BOT CHORD Rigid ceiling directly applied or 10-0-0 oc bracing.
WEBS 2x4 SP No.3(flat)	
OTHERS 2x4 SP No.3(flat)	

**REACTIONS.** All bearings 3-5-0.  
(lb) - Max Grav All reactions 250 lb or less at joint(s) 8, 5, 7, 6

**FORCES.** (lb) - Max. Comp./Max. Ten. - All forces 250 (lb) or less except when shown.

- NOTES-**
- 1) Plates checked for a plus or minus 1 degree rotation about its center.
  - 2) Gable requires continuous bottom chord bearing.
  - 3) Truss to be fully sheathed from one face or securely braced against lateral movement (i.e. diagonal web).
  - 4) Gable studs spaced at 1-4-0 oc.
  - 5) Recommend 2x6 strongbacks, on edge, spaced at 10-0-0 oc and fastened to each truss with 3-10d (0.131" X 3") nails. Strongbacks to be attached to walls at their outer ends or restrained by other means.
  - 6) CAUTION, Do not erect truss backwards.

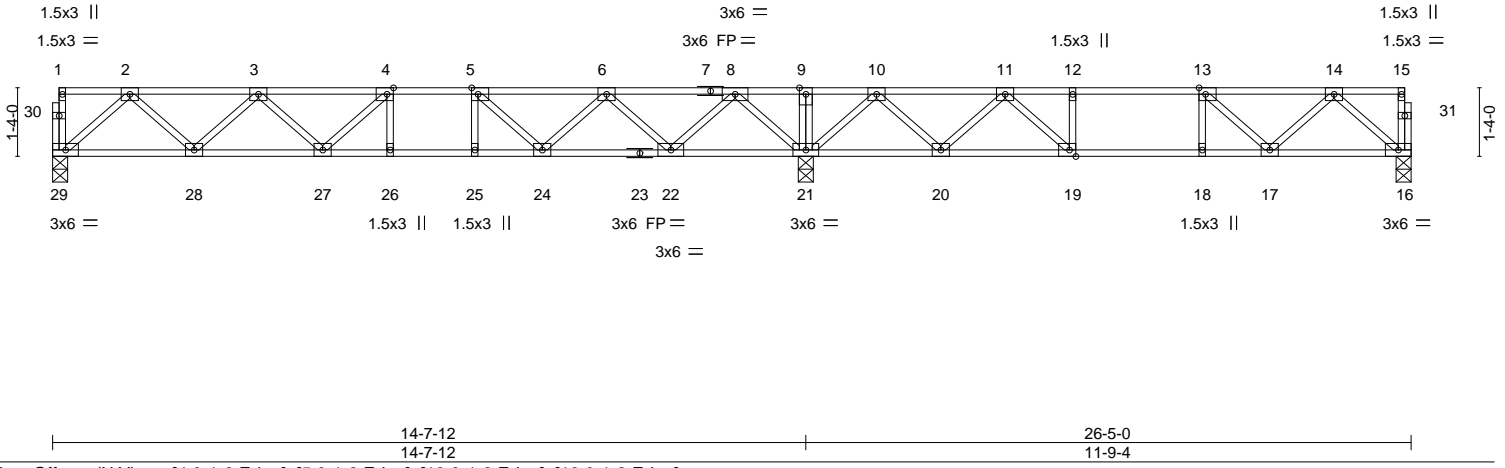


December 6, 2024

Job	Truss	Truss Type	Qty	Ply	Lot 2 Maple Hill	170024578
J1124-6267	F1	Floor	4	1		

Comtech, Inc. Fayetteville, NC - 28314,

8.530 s Aug 2 2023 MiTek Industries, Inc. Thu Dec 5 16:12:20 2024 Page 1  
 ID:1yUksKymplk2404ufZYCrxyoKUD-pfDXNQWoh1Uye9vxb0lItSKZUudOcdIsykrTg5yBz6v



LOADING (psf)	SPACING-	2-0-0	CSI.	DEFL.	in (loc)	l/defl	L/d	PLATES	GRIP
TCLL 40.0	Plate Grip DOL	1.00	TC 0.47	Vert(LL)	-0.10	26-27	>999	MT20	244/190
TCDL 10.0	Lumber DOL	1.00	BC 0.70	Vert(CT)	-0.13	26-27	>999		
BCLL 0.0	Rep Stress Incr	YES	WB 0.44	Horz(CT)	0.03	16	n/a		
BCDL 5.0	Code IRC2015/TPI2014		Matrix-S						

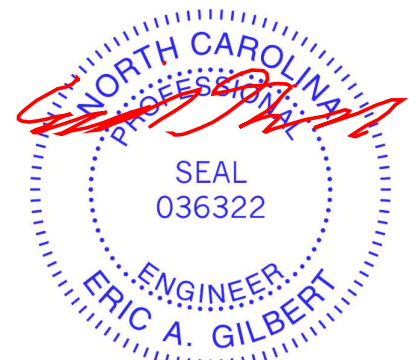
Weight: 136 lb FT = 20%F, 11%E

<b>LUMBER-</b>	<b>BRACING-</b>
TOP CHORD 2x4 SP No.1(flat)	TOP CHORD Structural wood sheathing directly applied or 6-0-0 oc purlins, except end verticals.
BOT CHORD 2x4 SP No.1(flat)	BOT CHORD Rigid ceiling directly applied or 6-0-0 oc bracing.
WEBS 2x4 SP No.3(flat)	

**REACTIONS.** (size) 29=0-3-8, 21=0-3-8, 16=0-3-8  
 Max Grav 29=727(LC 10), 21=1671(LC 1), 16=557(LC 4)

**FORCES.** (lb) - Max. Comp./Max. Ten. - All forces 250 (lb) or less except when shown.  
 TOP CHORD 2-3=-1257/0, 3-4=-1883/0, 4-5=-2002/0, 5-6=-1658/0, 6-8=-756/224, 8-9=0/1400, 9-10=0/1400, 10-11=-468/367, 11-12=-1158/0, 12-13=-1158/0, 13-14=-884/0  
 BOT CHORD 28-29=0/771, 27-28=0/1718, 26-27=0/2002, 25-26=0/2002, 24-25=0/2002, 22-24=-33/1341, 21-22=-443/147, 20-21=-637/20, 19-20=-175/900, 18-19=0/1158, 17-18=0/1158, 16-17=0/585  
 WEBS 2-29=-1023/0, 2-28=0/677, 3-28=-640/0, 8-21=-1289/0, 8-22=0/923, 10-21=-1064/0, 10-20=0/687, 11-20=-690/0, 11-19=0/582, 12-19=-278/0, 6-22=-882/0, 6-24=0/527, 5-24=-633/0, 14-16=-776/0, 14-17=0/416, 13-17=-373/90

- NOTES-**
- 1) Unbalanced floor live loads have been considered for this design.
  - 2) All plates are 3x4 MT20 unless otherwise indicated.
  - 3) Plates checked for a plus or minus 1 degree rotation about its center.
  - 4) Recommend 2x6 strongbacks, on edge, spaced at 10-0-0 oc and fastened to each truss with 3-10d (0.131" X 3") nails. Strongbacks to be attached to walls at their outer ends or restrained by other means.
  - 5) CAUTION, Do not erect truss backwards.



December 6, 2024

<p><b>WARNING - Verify design parameters and READ NOTES ON THIS AND INCLUDED MITEK REFERENCE PAGE MII-7473 rev. 1/2/2023 BEFORE USE.</b></p> <p>Design valid for use only with MiTek® connectors. This design is based only upon parameters shown, and is for an individual building component, not a truss system. Before use, the building designer must verify the applicability of design parameters and properly incorporate this design into the overall building design. Bracing indicated is to prevent buckling of individual truss web and/or chord members only. Additional temporary and permanent bracing is always required for stability and to prevent collapse with possible personal injury and property damage. For general guidance regarding the fabrication, storage, delivery, erection and bracing of trusses and truss systems, see <b>ANSI/TPH Quality Criteria and DSB-22</b> available from Truss Plate Institute (www.tpinst.org) and <b>BCSI Building Component Safety Information</b> available from the Structural Building Component Association (www.sbcacomponents.com)</p>	<p>818 Soundside Road Edenton, NC 27932</p>
--	---

Job J1124-6267	Truss F2	Truss Type Floor	Qty 5	Ply 1	Lot 2 Maple Hill Job Reference (optional)	170024579
-------------------	-------------	---------------------	----------	----------	--	-----------

Comtech, Inc. Fayetteville, NC - 28314,

8.530 s Aug 2 2023 MiTek Industries, Inc. Thu Dec 5 16:12:21 2024 Page 1  
ID:1yUksKymplk2404ufZYCrxyoKUD-HrmbmXQSKcpGJU89jp\_Qgtm010HL740ANa0CXyBz6u

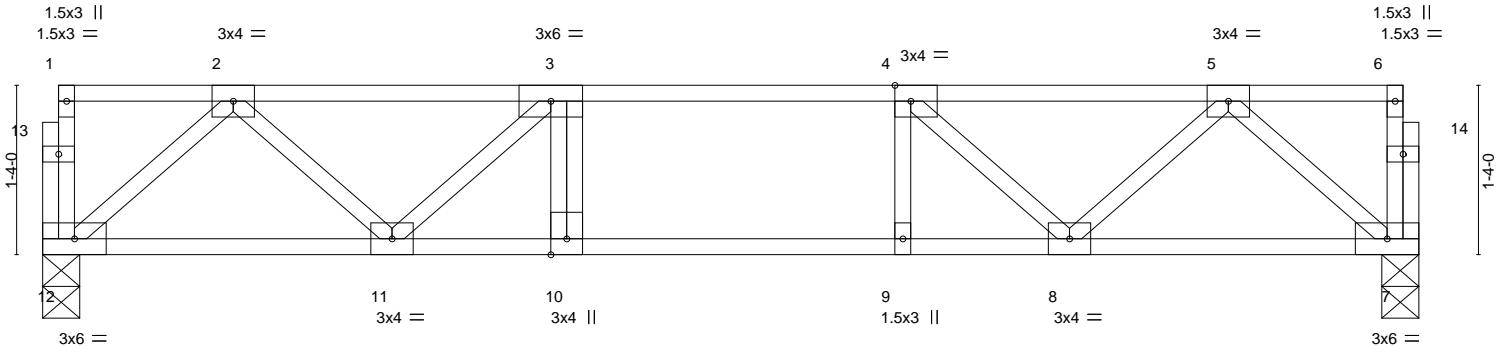
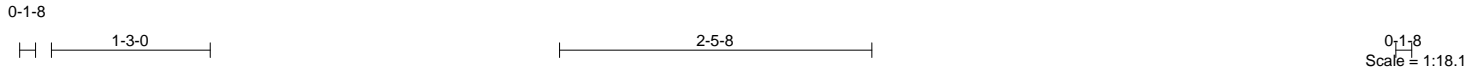


Plate Offsets (X,Y)-- [4:0-1-8,Edge]		10-10-0 10-10-0	
<b>LOADING</b> (psf)	<b>SPACING-</b> 2-0-0	<b>CSI.</b>	<b>DEFL.</b> in (loc) l/defl L/d
TCLL 40.0	Plate Grip DOL 1.00	TC 0.36	Vert(LL) -0.07 10 >999 480
TCDL 10.0	Lumber DOL 1.00	BC 0.46	Vert(CT) -0.09 10 >999 360
BCLL 0.0	Rep Stress Incr YES	WB 0.21	Horz(CT) 0.01 7 n/a n/a
BCDL 5.0	Code IRC2015/TPI2014	Matrix-S	
			<b>PLATES</b> MT20
			<b>GRIP</b> 244/190
			Weight: 57 lb FT = 20%F, 11%E

<b>LUMBER-</b>	<b>BRACING-</b>
TOP CHORD 2x4 SP No.1(flat)	TOP CHORD Structural wood sheathing directly applied or 6-0-0 oc purlins, except end verticals.
BOT CHORD 2x4 SP No.1(flat)	BOT CHORD Rigid ceiling directly applied or 10-0-0 oc bracing.
WEBS 2x4 SP No.3(flat)	


**REACTIONS.** (size) 12=0-3-8, 7=0-3-8  
Max Grav 12=576(LC 1), 7=576(LC 1)

**FORCES.** (lb) - Max. Comp./Max. Ten. - All forces 250 (lb) or less except when shown.  
TOP CHORD 2-3=-923/0, 3-4=-1242/0, 4-5=-925/0  
BOT CHORD 11-12=0/606, 10-11=0/1242, 9-10=0/1242, 8-9=0/1242, 7-8=0/603  
WEBS 2-12=-805/0, 2-11=0/441, 3-11=-469/0, 5-7=-800/0, 5-8=0/449, 4-8=-475/0

- NOTES-**
- 1) Unbalanced floor live loads have been considered for this design.
  - 2) Plates checked for a plus or minus 1 degree rotation about its center.
  - 3) Recommend 2x6 strongbacks, on edge, spaced at 10-0-0 oc and fastened to each truss with 3-10d (0.131" X 3") nails. Strongbacks to be attached to walls at their outer ends or restrained by other means.



December 6, 2024

<p><b>WARNING - Verify design parameters and READ NOTES ON THIS AND INCLUDED MITEK REFERENCE PAGE MII-7473 rev. 1/2/2023 BEFORE USE.</b></p> <p>Design valid for use only with MiTek® connectors. This design is based only upon parameters shown, and is for an individual building component, not a truss system. Before use, the building designer must verify the applicability of design parameters and properly incorporate this design into the overall building design. Bracing indicated is to prevent buckling of individual truss web and/or chord members only. Additional temporary and permanent bracing is always required for stability and to prevent collapse with possible personal injury and property damage. For general guidance regarding the fabrication, storage, delivery, erection and bracing of trusses and truss systems, see <b>ANSI/TPH Quality Criteria and DSB-22</b> available from Truss Plate Institute (<a href="http://www.tpinst.org">www.tpinst.org</a>) and <b>BCSI Building Component Safety Information</b> available from the Structural Building Component Association (<a href="http://www.sbcacomponents.com">www.sbcacomponents.com</a>)</p>	<p>ENGINEERING BY</p>  <p>A MiTek Affiliate</p> <p>818 Soundside Road Edenton, NC 27932</p>
--	--

Job	Truss	Truss Type	Qty	Ply	Lot 2 Maple Hill	170024580
J1124-6267	F3	Floor	5	1	Job Reference (optional)	

Comtech, Inc. Fayetteville, NC - 28314,

8.530 s Aug 2 2023 MiTek Industries, Inc. Thu Dec 5 16:12:21 2024 Page 1  
ID:1yUksKymplk2404ufZYCrxyoKUD-HrmvbmXQSKcpGJU89jp\_QgtjUI\_bLG0ANa0CXyBz6u

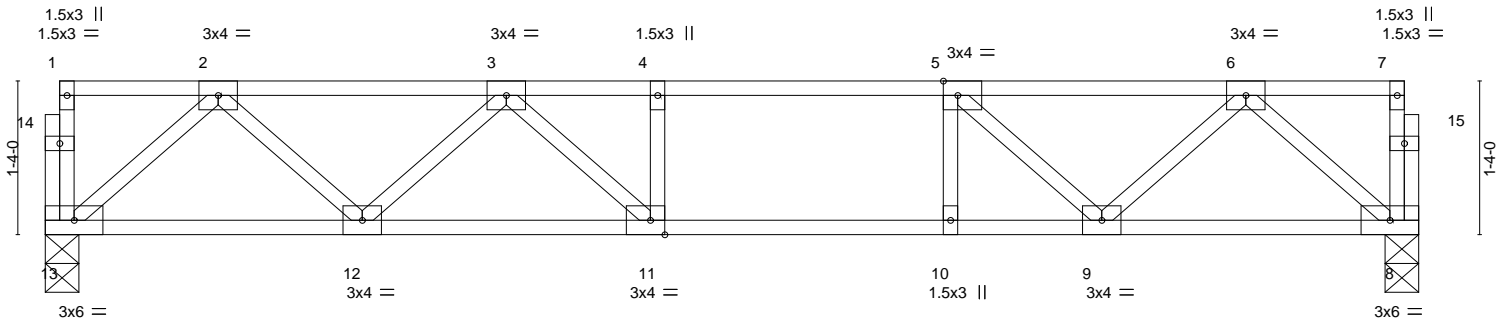
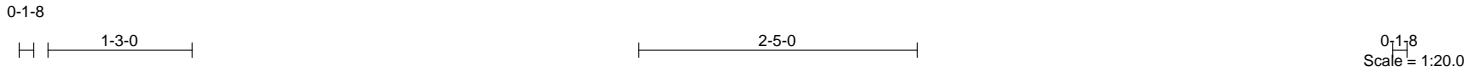


Plate Offsets (X,Y)--	[5:0-1-8,Edge], [11:0-1-8,Edge]
-----------------------	---------------------------------

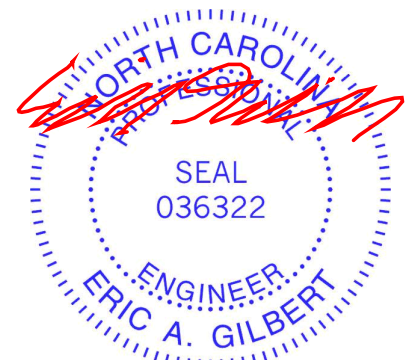
<b>LOADING</b> (psf)	<b>SPACING-</b> 2-0-0	<b>CSI.</b>	<b>DEFL.</b> in (loc) l/defl L/d	<b>PLATES</b>	<b>GRIP</b>
TCLL 40.0	Plate Grip DOL 1.00	TC 0.52	Vert(LL) -0.13 11-12 >999 480	MT20	244/190
TCDL 10.0	Lumber DOL 1.00	BC 0.63	Vert(CT) -0.16 11-12 >894 360		
BCLL 0.0	Rep Stress Incr YES	WB 0.27	Horz(CT) 0.02 8 n/a n/a		
BCDL 5.0	Code IRC2015/TPI2014	Matrix-S		Weight: 61 lb	FT = 20%F, 11%E

<b>LUMBER-</b>	<b>BRACING-</b>
TOP CHORD 2x4 SP No.1(flat)	TOP CHORD Structural wood sheathing directly applied or 6-0-0 oc purlins, except end verticals.
BOT CHORD 2x4 SP No.1(flat)	BOT CHORD Rigid ceiling directly applied or 10-0-0 oc bracing.
WEBS 2x4 SP No.3(flat)	

**REACTIONS.** (size) 13=0-3-8, 8=0-3-8  
Max Grav 13=635(LC 1), 8=635(LC 1)

**FORCES.** (lb) - Max. Comp./Max. Ten. - All forces 250 (lb) or less except when shown.  
TOP CHORD 2-3=-1060/0, 3-4=-1495/0, 4-5=-1495/0, 5-6=-1059/0  
BOT CHORD 12-13=0/676, 11-12=0/1395, 10-11=0/1495, 9-10=0/1495, 8-9=0/658  
WEBS 2-13=-898/0, 2-12=0/534, 3-12=-466/0, 3-11=-19/356, 6-8=-873/0, 6-9=0/557, 5-9=-617/0

**NOTES-**  
1) Unbalanced floor live loads have been considered for this design.  
2) Plates checked for a plus or minus 1 degree rotation about its center.  
3) Recommend 2x6 strongbacks, on edge, spaced at 10-0-0 oc and fastened to each truss with 3-10d (0.131" X 3") nails. Strongbacks to be attached to walls at their outer ends or restrained by other means.



December 6, 2024

<p><b>WARNING - Verify design parameters and READ NOTES ON THIS AND INCLUDED MITEK REFERENCE PAGE MII-7473 rev. 1/2/2023 BEFORE USE.</b> Design valid for use only with MiTek® connectors. This design is based only upon parameters shown, and is for an individual building component, not a truss system. Before use, the building designer must verify the applicability of design parameters and properly incorporate this design into the overall building design. Bracing indicated is to prevent buckling of individual truss web and/or chord members only. Additional temporary and permanent bracing is always required for stability and to prevent collapse with possible personal injury and property damage. For general guidance regarding the fabrication, storage, delivery, erection and bracing of trusses and truss systems, see <b>ANSI/TPH Quality Criteria and DSB-22</b> available from Truss Plate Institute (www.tpinst.org) and <b>BCSI Building Component Safety Information</b> available from the Structural Building Component Association (www.sbcacomponents.com)</p>	<p>ENGINEERING BY <b>TRENCO</b> A MiTek Affiliate</p> <p>818 Soundside Road Edenton, NC 27932</p>
---	---

Job	Truss	Truss Type	Qty	Ply	Lot 2 Maple Hill	170024581
J1124-6267	F4	Floor	7	1	Job Reference (optional)	

Comtech, Inc. Fayetteville, NC - 28314,

8.530 s Aug 2 2023 MiTek Industries, Inc. Thu Dec 5 16:12:21 2024 Page 1  
ID:1yUksKymplk2404ufZYCrxyoKUD-HrnmvbmXQSKcpGJU89jp\_QgtvixGL5\_0ANa0CXyBz6u

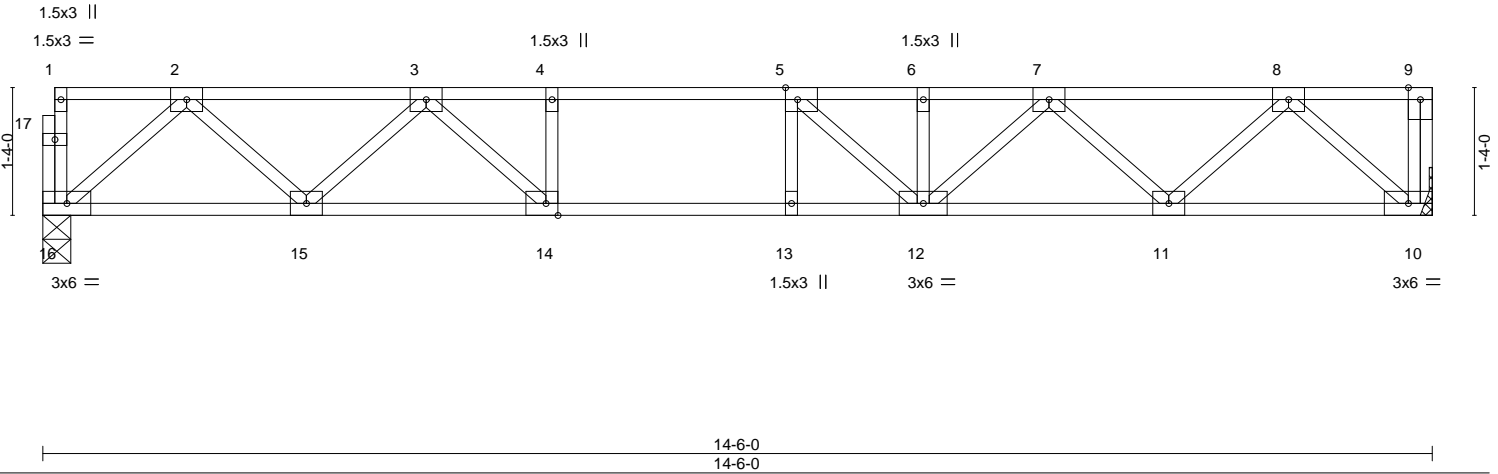
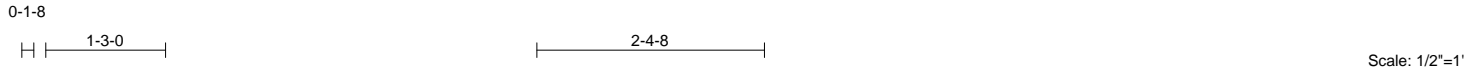


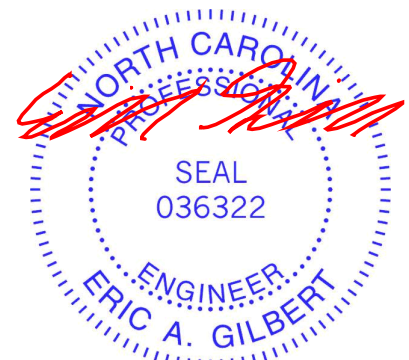
Plate Offsets (X, Y)--	[5:0-1-8,Edge], [14:0-1-8,Edge]						
<b>LOADING</b> (psf)	<b>SPACING-</b> 2-0-0	<b>CSI.</b>	<b>DEFL.</b> in (loc) l/defl L/d	<b>PLATES</b>	<b>GRIP</b>		
TCLL 40.0	Plate Grip DOL 1.00	TC 0.62	Vert(LL) -0.17 12-13 >999 480	MT20	244/190		
TCDL 10.0	Lumber DOL 1.00	BC 0.78	Vert(CT) -0.22 12-13 >790 360				
BCLL 0.0	Rep Stress Incr YES	WB 0.35	Horz(CT) 0.03 10 n/a n/a				
BCDL 5.0	Code IRC2015/TPI2014	Matrix-S					
						Weight: 76 lb	FT = 20%F, 11%E

<b>LUMBER-</b>		<b>BRACING-</b>	
TOP CHORD 2x4 SP No.1(flat)		TOP CHORD	Structural wood sheathing directly applied or 6-0-0 oc purlins, except end verticals.
BOT CHORD 2x4 SP No.1(flat)		BOT CHORD	Rigid ceiling directly applied or 10-0-0 oc bracing.
WEBS 2x4 SP No.3(flat)			

**REACTIONS.** (size) 16=0-3-8, 10=Mechanical  
Max Grav 16=778(LC 1), 10=784(LC 1)

**FORCES.** (lb) - Max. Comp./Max. Ten. - All forces 250 (lb) or less except when shown.  
TOP CHORD 2-3=-1348/0, 3-4=-2244/0, 4-5=-2244/0, 5-6=-2152/0, 6-7=-2152/0, 7-8=-1359/0  
BOT CHORD 15-16=0/834, 14-15=0/1856, 13-14=0/2244, 12-13=0/2244, 11-12=0/1857, 10-11=0/835  
WEBS 2-16=-1109/0, 2-15=0/714, 3-15=-707/0, 3-14=0/697, 4-14=-339/0, 8-10=-1111/0, 8-11=0/729, 7-11=-693/0, 7-12=0/401, 5-12=-438/123

- NOTES-**
- 1) Unbalanced floor live loads have been considered for this design.
  - 2) All plates are 3x4 MT20 unless otherwise indicated.
  - 3) Plates checked for a plus or minus 1 degree rotation about its center.
  - 4) Refer to girder(s) for truss to truss connections.
  - 5) Recommend 2x6 strongbacks, on edge, spaced at 10-0-0 oc and fastened to each truss with 3-10d (0.131" X 3") nails. Strongbacks to be attached to walls at their outer ends or restrained by other means.
  - 6) CAUTION, Do not erect truss backwards.



December 6, 2024

<p><b>WARNING - Verify design parameters and READ NOTES ON THIS AND INCLUDED MITEK REFERENCE PAGE MII-7473 rev. 1/2/2023 BEFORE USE.</b></p> <p>Design valid for use only with MiTek® connectors. This design is based only upon parameters shown, and is for an individual building component, not a truss system. Before use, the building designer must verify the applicability of design parameters and properly incorporate this design into the overall building design. Bracing indicated is to prevent buckling of individual truss web and/or chord members only. Additional temporary and permanent bracing is always required for stability and to prevent collapse with possible personal injury and property damage. For general guidance regarding the fabrication, storage, delivery, erection and bracing of trusses and truss systems, see <b>ANSI/TPH Quality Criteria and DSB-22</b> available from Truss Plate Institute (<a href="http://www.tpinst.org">www.tpinst.org</a>) and <b>BCSI Building Component Safety Information</b> available from the Structural Building Component Association (<a href="http://www.sbcacomponents.com">www.sbcacomponents.com</a>)</p>	<p>ENGINEERING BY</p> <p>A MiTek Affiliate</p> <p>818 Soundside Road Edenton, NC 27932</p>
--	--



Job J1124-6267	Truss F5	Truss Type Floor	Qty 7	Ply 1	Lot 2 Maple Hill Job Reference (optional)	170024582
-------------------	-------------	---------------------	----------	----------	--	-----------

Comtech, Inc. Fayetteville, NC - 28314,

8.530 s Aug 2 2023 MiTek Industries, Inc. Thu Dec 5 16:12:22 2024 Page 1  
ID:1yUksKymplk2404ufZYCrxyoKUD-I1Llo6X2DekguS3KiRLDytPwRiLv4al9P1KZk\_yBz6t

1-3-0

2-1-8

0,1,8

Scale = 1:19.3

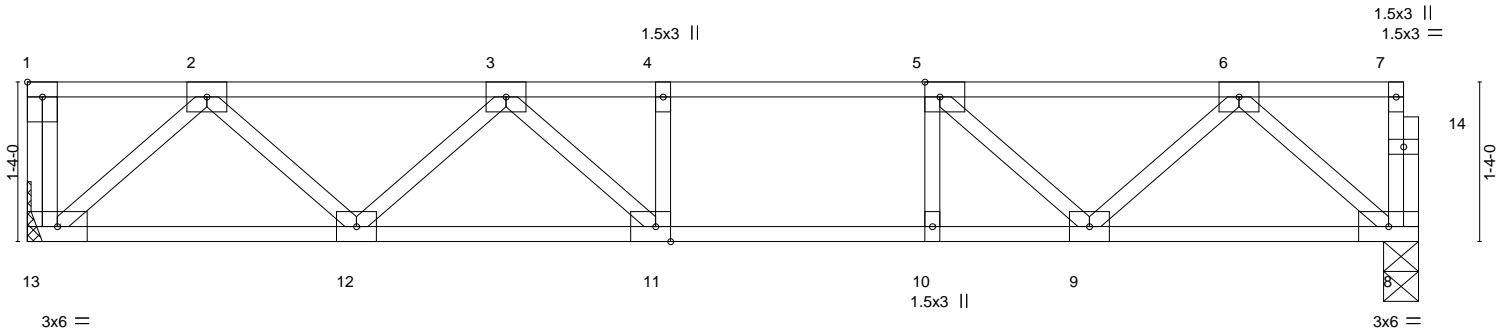


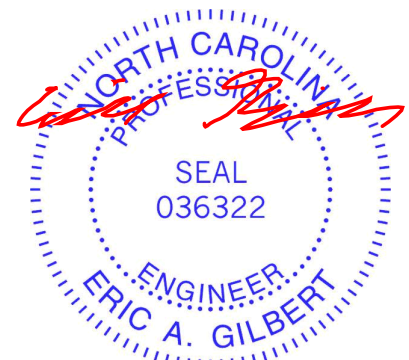
Plate Offsets (X,Y)-- [1:Edge,0-1-8], [5:0-1-8,Edge], [11:0-1-8,Edge]		11-7-8 11-7-8			
<b>LOADING</b> (psf)	<b>SPACING-</b> 2-0-0	<b>CSI.</b>	<b>DEFL.</b> in (loc) l/defl L/d	<b>PLATES</b>	<b>GRIP</b>
TCLL 40.0	Plate Grip DOL 1.00	TC 0.44	Vert(LL) -0.10 11-12 >999 480	MT20	244/190
TCDL 10.0	Lumber DOL 1.00	BC 0.56	Vert(CT) -0.13 11-12 >999 360		
BCLL 0.0	Rep Stress Incr YES	WB 0.25	Horz(CT) 0.02 8 n/a n/a		
BCDL 5.0	Code IRC2015/TPI2014	Matrix-S		Weight: 61 lb	FT = 20%F, 11%E

<b>LUMBER-</b>	<b>BRACING-</b>
TOP CHORD 2x4 SP No.1(flat)	TOP CHORD Structural wood sheathing directly applied or 6-0-0 oc purlins, except end verticals.
BOT CHORD 2x4 SP No.1(flat)	BOT CHORD Rigid ceiling directly applied or 10-0-0 oc bracing.
WEBS 2x4 SP No.3(flat)	


**REACTIONS.** (size) 13=Mechanical, 8=0-3-8  
Max Grav 13=626(LC 1), 8=619(LC 1)

**FORCES.** (lb) - Max. Comp./Max. Ten. - All forces 250 (lb) or less except when shown.  
TOP CHORD 2-3=-1025/0, 3-4=-1427/0, 4-5=-1427/0, 5-6=-1022/0  
BOT CHORD 12-13=0/658, 11-12=0/1345, 10-11=0/1427, 9-10=0/1427, 8-9=0/644  
WEBS 2-13=-876/0, 2-12=0/510, 3-12=-446/0, 3-11=-41/323, 6-8=-854/0, 6-9=0/526, 5-9=-570/0

- NOTES-**
- 1) Unbalanced floor live loads have been considered for this design.
  - 2) All plates are 3x4 MT20 unless otherwise indicated.
  - 3) Plates checked for a plus or minus 1 degree rotation about its center.
  - 4) Refer to girder(s) for truss to truss connections.
  - 5) Recommend 2x6 strongbacks, on edge, spaced at 10-0-0 oc and fastened to each truss with 3-10d (0.131" X 3") nails. Strongbacks to be attached to walls at their outer ends or restrained by other means.
  - 6) CAUTION, Do not erect truss backwards.

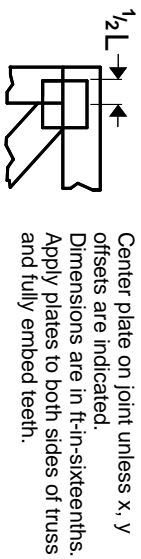


December 6, 2024

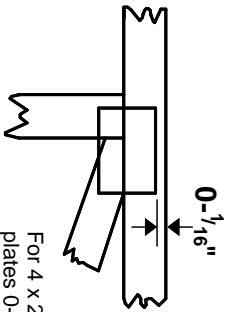
<p><b>WARNING - Verify design parameters and READ NOTES ON THIS AND INCLUDED MITEK REFERENCE PAGE MII-7473 rev. 1/2/2023 BEFORE USE.</b></p> <p>Design valid for use only with MiTek® connectors. This design is based only upon parameters shown, and is for an individual building component, not a truss system. Before use, the building designer must verify the applicability of design parameters and properly incorporate this design into the overall building design. Bracing indicated is to prevent buckling of individual truss web and/or chord members only. Additional temporary and permanent bracing is always required for stability and to prevent collapse with possible personal injury and property damage. For general guidance regarding the fabrication, storage, delivery, erection and bracing of trusses and truss systems, see <b>ANSI/TPH Quality Criteria and DSB-22</b> available from Truss Plate Institute (www.tpinst.org) and <b>BCSI Building Component Safety Information</b> available from the Structural Building Component Association (www.sbcacomponents.com)</p>	<p>ENGINEERING BY</p>  <p>818 Soundside Road Edenton, NC 27932</p>
--	---

# Symbols

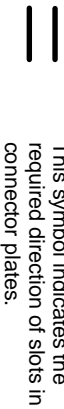
## PLATE LOCATION AND ORIENTATION



Center plate on joint unless x, y offsets are indicated. Dimensions are in ft-in-sixteenths. Apply plates to both sides of truss and fully embed teeth.



For 4 x 2 orientation, locate plates 0- 1/16\" from outside edge of truss.



This symbol indicates the required direction of slots in connector plates.

\* Plate location details available in MITek software or upon request.

## PLATE SIZE

**4 X 4**

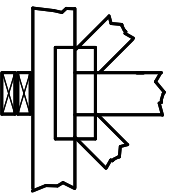
The first dimension is the plate width measured perpendicular to slots. Second dimension is the length parallel to slots.

## LATERAL BRACING LOCATION



Indicated by symbol shown and/or by text in the bracing section of the output. Use T or I bracing if indicated.

## BEARING

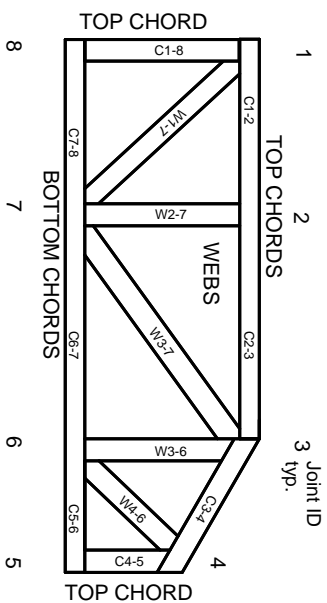


Indicates location where bearings (supports) occur. Icons vary but reaction section indicates joint number/letter where bearings occur. Min size shown is for crushing only.

## Industry Standards:

ANSI/TP1: National Design Specification for Metal Plate Connected Wood Truss Construction.  
DSB-22: Design Standard for Bracing.  
BCSI: Building Component Safety Information, Guide to Good Practice for Handling, Installing, Restraining & Bracing of Metal Plate Connected Wood Trusses.

# Numbering System



**JOINTS ARE GENERALLY NUMBERED/LETTERED CLOCKWISE AROUND THE TRUSS STARTING AT THE JOINT FARTHEST TO THE LEFT.**

**CHORDS AND WEBS ARE IDENTIFIED BY END JOINT NUMBERS/LETTERS.**

# Product Code Approvals

ICC-ES Reports:

ESR-1988, ESR-2362, ESR-2685, ESR-3282  
ESR-4722, ESL-1388

# Design General Notes

Trusses are designed for wind loads in the plane of the truss unless otherwise shown.

Lumber design values are in accordance with ANSI/TP1 section 6.3. These truss designs rely on Lumber values established by others.

© 2023 MITek® All Rights Reserved

# General Safety Notes

## Failure to Follow Could Cause Property Damage or Personal Injury

1. Additional stability/bracing for truss system, e.g. diagonal or X-bracing, is always required. See BCSI.
2. Truss bracing must be designed by an engineer. For wide truss spacing, individual lateral braces themselves may require bracing, or alternative Tor I bracing should be considered.
3. Never exceed the design loading shown and never stack materials on inadequately braced trusses.
4. Provide copies of this truss design to the building designer, erection supervisor, property owner and all other interested parties.
5. Cut members to bear tightly against each other.
6. Place plates on each face of truss at each joint and embed fully. Knots and wane at joint locations are regulated by ANSI/TP1 1.
7. Design assumes trusses will be suitably protected from the environment in accord with ANSI/TP1 1.
8. Unless otherwise noted, moisture content of lumber shall not exceed 19% at time of fabrication.
9. Unless expressly noted, this design is not applicable for use with fire retardant, preservative treated, or green lumber.
10. Camber is a non-structural consideration and is the responsibility of truss fabricator. General practice is to camber for dead load deflection.
11. Plate type, size, orientation and location dimensions indicated are minimum plating requirements.
12. Lumber used shall be of the species and size, and in all respects, equal to or better than that specified.
13. Top chords must be sheathed or purlins provided at spacing indicated on design.
14. Bottom chords require lateral bracing at 10 ft. spacing, or less, if no ceiling is installed, unless otherwise noted.
15. Connections not shown are the responsibility of others.
16. Do not cut or alter truss member or plate without prior approval of an engineer.
17. Install and load vertically unless indicated otherwise.
18. Use of green or treated lumber may pose unacceptable environmental, health or performance risks. Consult with project engineer before use.
19. Review all portions of this design (front, back, words and pictures) before use. Reviewing pictures alone is not sufficient.
20. Design assumes manufacture in accordance with ANSI/TP1 Quality Criteria.
21. The design does not take into account any dynamic or other loads other than those expressly stated.

**MITek**

ENGINEERING BY  
**TRENGO**  
A MITek Affiliate

MITek Engineering Reference Sheet: MIL-7473 rev. 1/2/2023