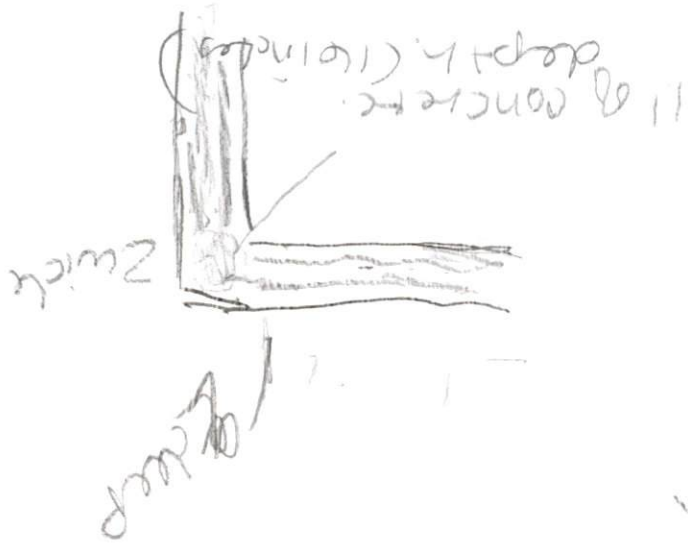
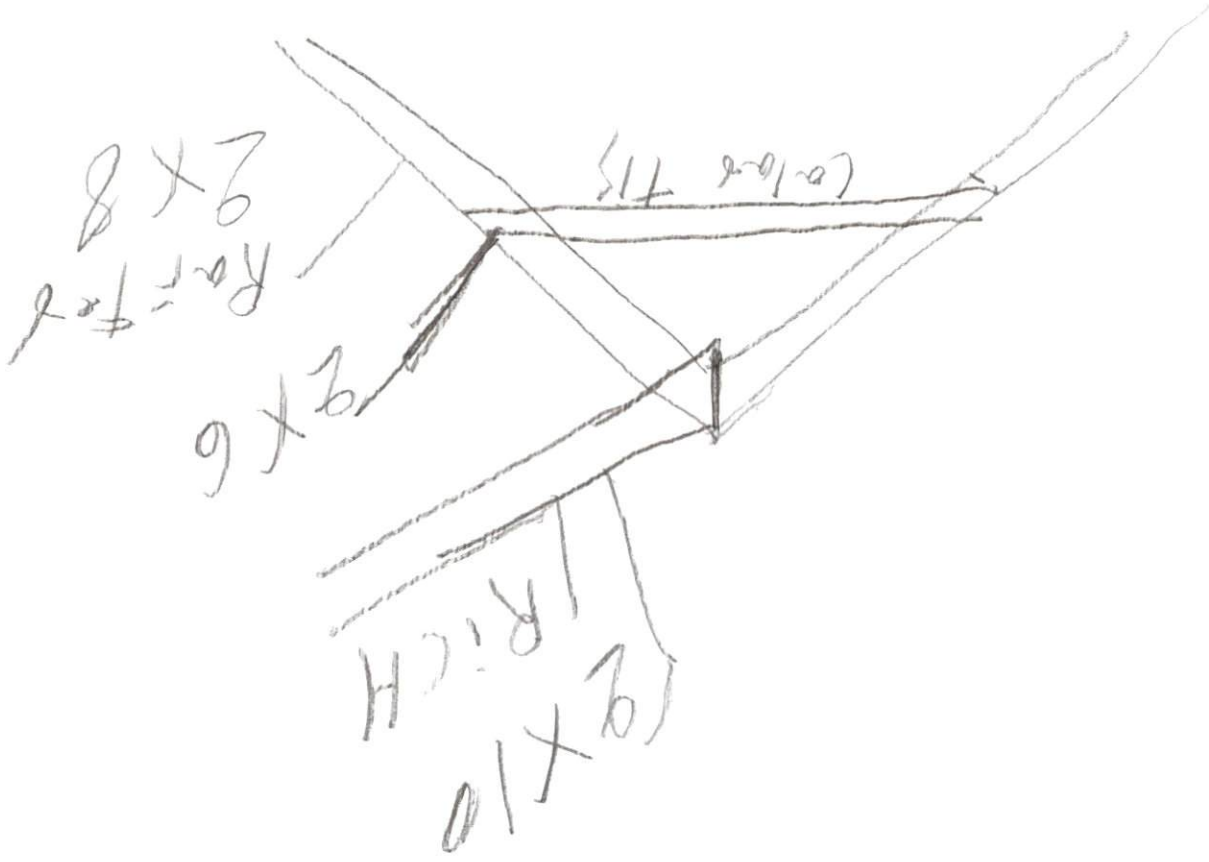


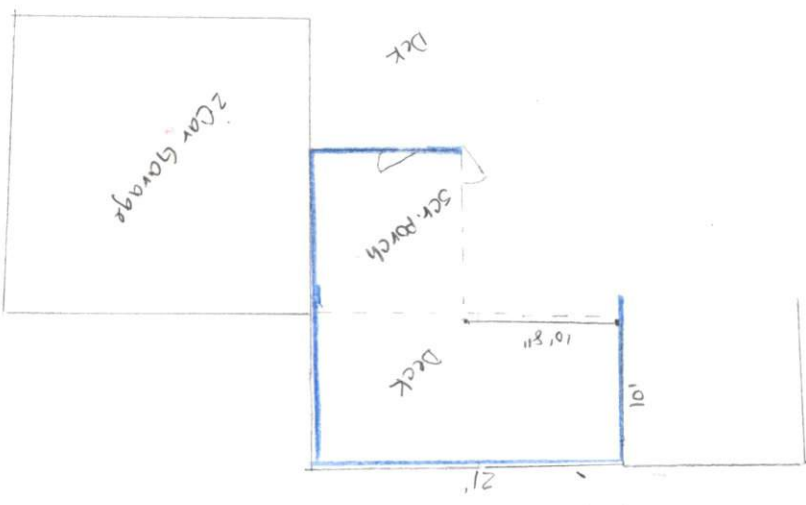


Roof



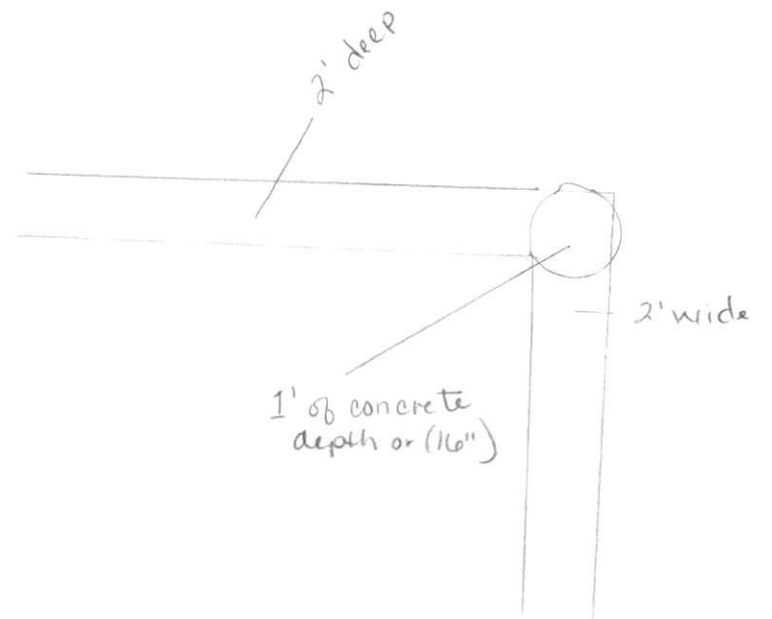
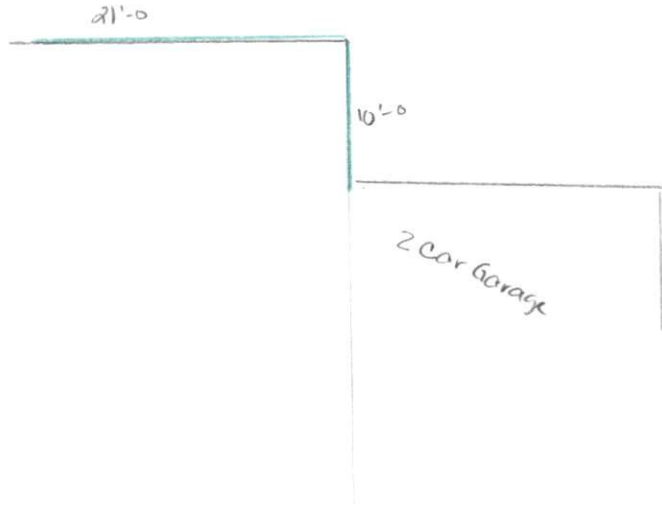
--- Existing wall

— New Addition



New Addition

— New Crawl Space Foundation / Addition



Load Support



- Existing wall
- New Addition
- (a) 1-3/4" x 1/4" x 21
- (a) 1-3/4" x 1/4" x 11'8"

