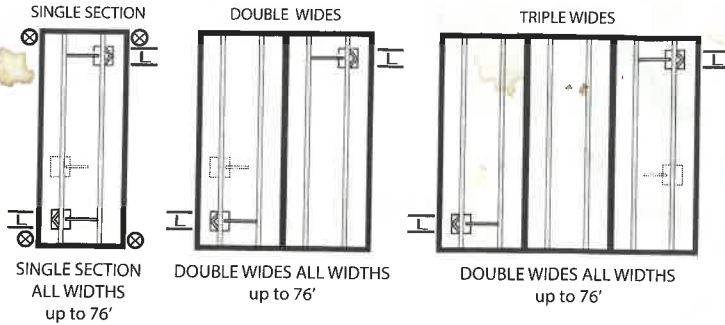
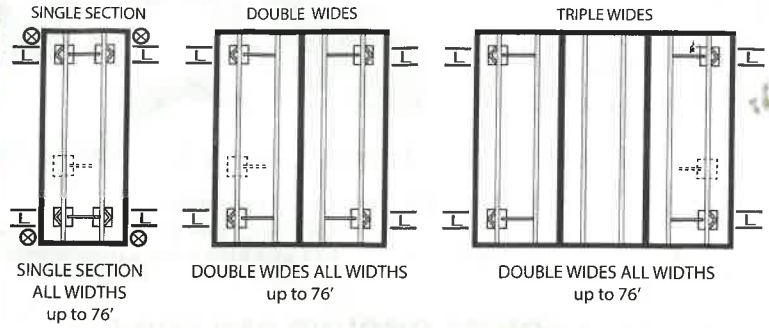


**REQUIRED NUMBER AND LOCATION OF MODEL
1100 "V" SERIES BRACES FOR 4/12 & 5/12**



**REQUIRED NUMBER AND LOCATION OF MODEL
1100 "V" SERIES BRACES FOR 6/12 & 7/12**



LEGEND:

- (Length of house is actual box size)
1. - - Approximate location of the system (See note H)
 2. - - Location of ASF Model 1100 "V" (Lateral and Longitudinal Bracing) or 1100 T (Lateral only)
 3. - - Location of additional ASF Model 1100 T "V" System (Lateral only) for homes exceeding 76' in length or with roof pitch between 4.37/12 (20 degrees) and 5/12, the additional system is to be installed at approximately the midpoint of the house and may be installed at either exterior beam.
 4. - - Installation of single wide homes require two (2) anchors per side located not more than ten (10) feet from each end (with a minimum of 3150 load rating)
 5. - - Location of additional ASF Model 1100 T "V" System (Lateral only) for homes exceeding 76' in length, sidewall height exceeding 96" or with roof pitch between 6/12 & 7/12 the additional system is to be installed at approximately the midpoint of the house and may be installed at either exterior beam.

NOTE:

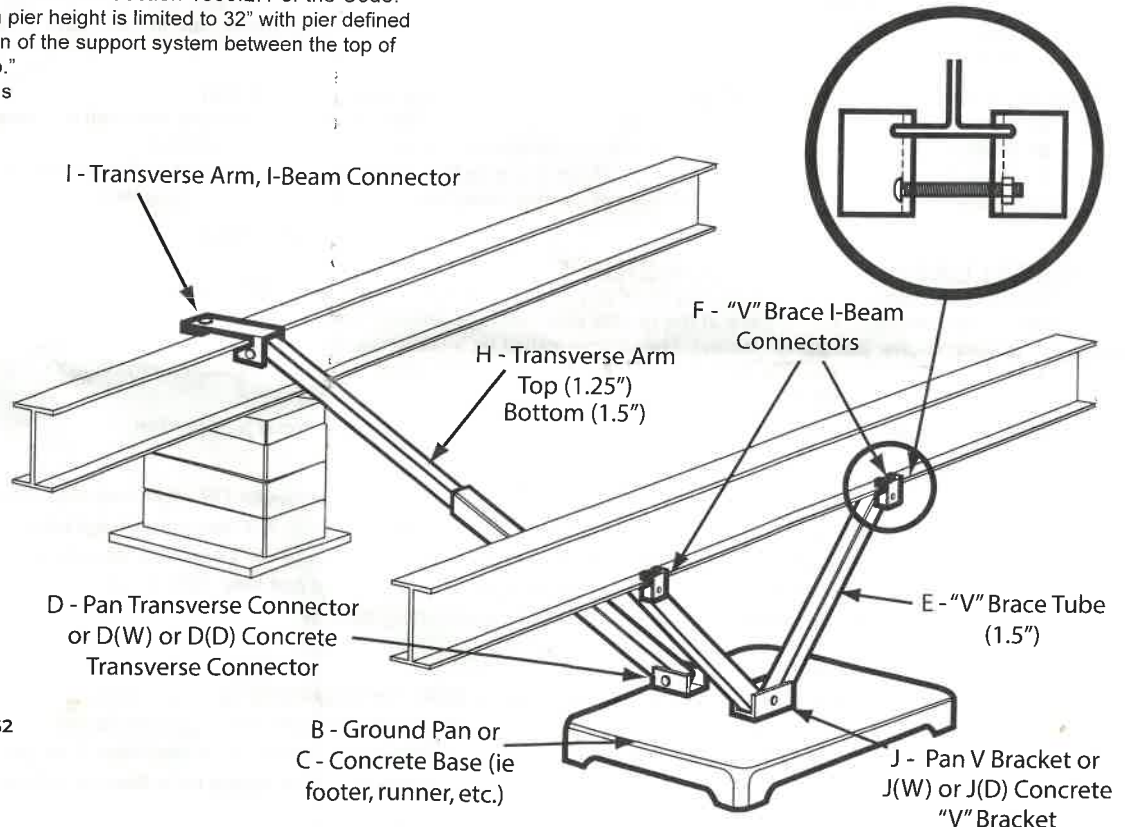
- a) Installation of the longitudinal system eliminates the need for the longitudinal anchors.
- b) Installation of the transverse system eliminates the need for all anchors, diagonal frame ties and stabilization plates except when noted. (Legend #5 & note C)
- c) All other home manufacturer's instructions for installation of stabilizing devices must be followed, including installation of vertical tie-down anchors, and mating line column, shear wall or center-line tie-down anchors. NOTE WIND ZONE II: ALL VERTICAL ANCHORS (NOT TO EXCEED 8' SPACING) MUST BE INSTALLED PER MANUFACTURER'S INSTALLATION INSTRUCTIONS!
- d) If the home manufacturer's installation instructions are not available, the home must be installed in accordance with any state promulgated rules or as required by the authority having jurisdiction.
- e) If bolts, nuts and tech screws are lost, they may be replaced as long as they meet or exceed the specs for OTI ASFS hardware.
- f) When the length of home exceeds 76', sidewall height exceeds 96" or the roof pitch is between 4.37/12 (20 degrees) and 5/12, add 1 transverse system (see location diagrams above) 6/12: a total of 4 Transverse & 3 Longitudinal systems are needed & 7/12: a total of 5 Transverse & 3 Longitudinal systems are needed. (Longitudinal portion only required when longitudinal bracing is required by home manufacturer).
- g) An alternative method using the 1100 CVD anchors (dry set) or 1100 CVW (wet set) may be used on a footing size of 16" diameter X 24" depth. These brackets are designed for lateral and longitudinal protection.
- h) It is recommended that the systems be installed at the 2nd pier in from each end of the house. However, they may be installed at any location at least 2 feet, but not more than 1/4 the house length, in from the ends of the home.

STATE OF MICHIGAN ONLY: As required by Section 1805.2 of the 200 Michigan Building Code, the depth of the footer shall be a minimum depth of 42 inches below grade, except that the authority having jurisdiction may approve a lesser depth based on known prevailing soil and weather conditions, or as provided by the exception under Section 1805.2.1 of the Code.

STATE OF ALABAMA ONLY: Maximum pier height is limited to 32" with pier defined in the Alabama Regulation as "that portion of the support system between the top of the footing and the bottom of the pier cap." The State of Alabama limits the use of this system to H.U.D labeled homes.

STATE OF NORTH CAROLINA ONLY: Tubing must be galvanized and, when the manufacturer's installation instructions are not available, vertical wall tie-downs must be installed not to exceed 8-feet on center. (Wind Zone II)

STATE OF IDAHO ONLY: Concrete must be a minimum of 8" in depth.



Phone : (800) 284-7437
 Fax : (931) 796-8811
 olivertechnologies.com
 467 Swan Avenue, Hohenwald, TN 38462