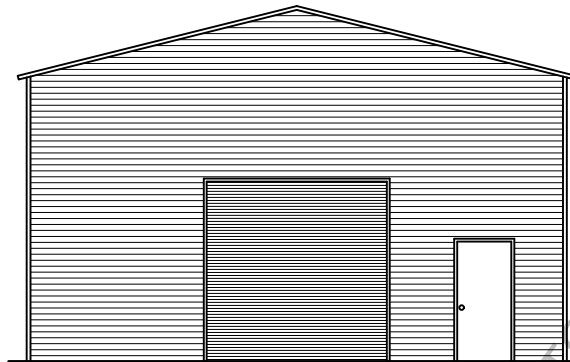


AUTHORIZED USER:

MICHAEL KESICK
TBD SUGGS RD
ERWIN, NC 28339

BUILDING SIZE:

20'W x 50'L x 12'H MAIN BUILDING
w/ TWO 12'W x 50'L x 11'H LEAN-TO'S



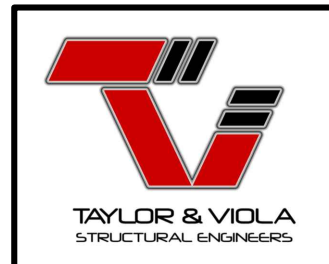
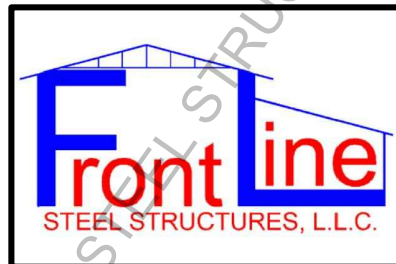
ENCLOSED GABLE END BUILDING

MAXIMUM 30'-0" WIDE X 16'-0" EAVE HEIGHT WITH BOX FRAME / 135 M.P.H. WIND ZONE - 30 P.S.F. SNOW LOAD

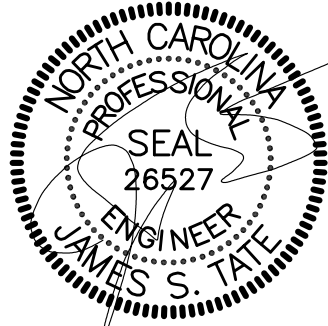
FOR:

FRONTLINE STEEL STRUCTURES, LLC
MT. AIRY, NORTH CAROLINA

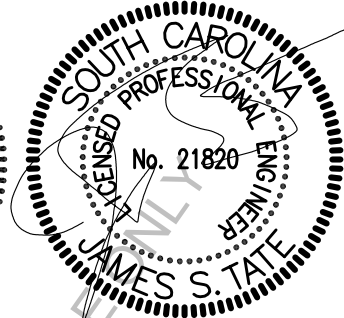
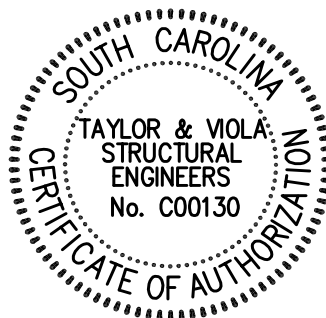
ISSUE DATE: MAY 12, 2023



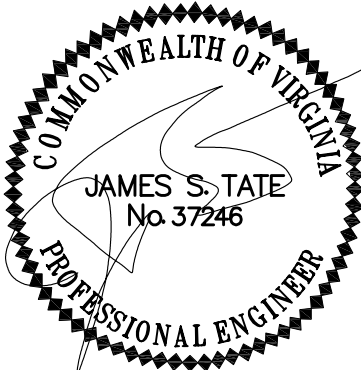
NOTE: THESE DRAWINGS ARE VALID FOR (1) CALENDAR YEAR AFTER THE ISSUE DATE LISTED ON THIS SHEET.



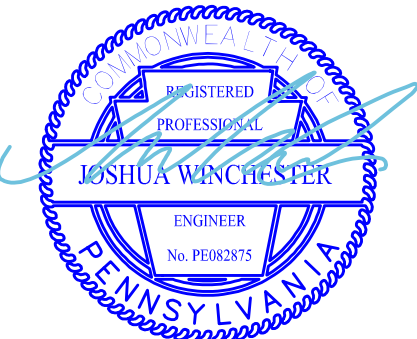
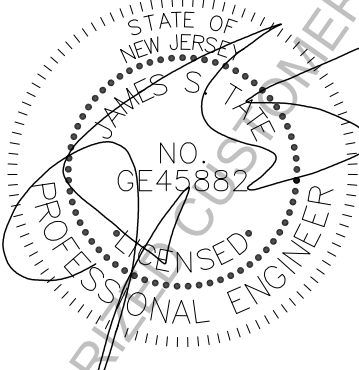
DOCUMENTS DESIGNED AND DRAWN TO MEET THE 2018 NC BUILDING CODE (2015 IBC)



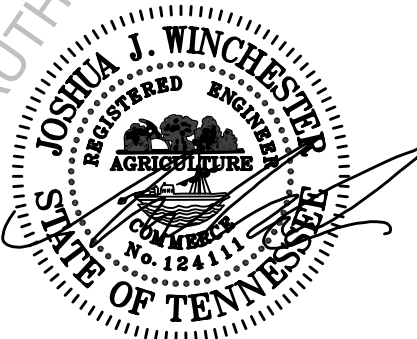
DOCUMENTS DESIGNED AND DRAWN TO MEET THE 2021 SC BUILDING CODE (2021 IBC)



DOCUMENTS DESIGNED AND DRAWN TO MEET THE 2018 VA CONSTRUCTION CODE (2018 IBC)



DOCUMENTS DESIGNED AND DRAWN TO MEET THE 2018 IBC



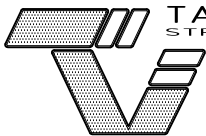
DOCUMENTS DESIGNED AND DRAWN TO MEET THE 2012 IBC



DOCUMENTS DESIGNED AND DRAWN TO MEET THE 2018 IBC



DOCUMENTS DESIGNED AND DRAWN TO MEET THE 2018 IBC



TAYLOR & VIOLA STRUCTURAL ENGINEERS
P.O.B. 2616 HICKORY NORTH CAROLINA
TELE: 828-328-6331 FAX: 828-322-1801
WWW.TAYLORVIOLA.COM

FRONTLINE STEEL STRUCTURES, LLC
MT. AIRY, NORTH CAROLINA

DRAWN BY:
BKS

PROJECT NO:
MISC

DATE:
2023.05.12

SHEET NO:
S1

NOTE: THESE DRAWINGS ARE VALID FOR (1) CALENDER YEAR AFTER THE ISSUE DATE LISTED ON THIS SHEET.



DOCUMENTS DESIGNED AND DRAWN TO MEET THE 2018 IBC



DOCUMENTS DESIGNED AND DRAWN TO MEET THE 2018 KENTUCKY BUILDING CODE (2015 IBC)

FRONTLINE STEEL STRUCTURES AUTHORIZED CUSTOMER USE ONLY



TAYLOR & VIOLA
STRUCTURAL ENGINEERS

P.O.B. 2616 HICKORY NORTH CAROLINA
TELE: 828-328-6331 FAX: 828-322-1801
WWW.TAYLORVIOLA.COM

FRONTLINE STEEL
STRUCTURES, LLC
MT. AIRY, NORTH CAROLINA

DRAWN BY:
BKS

PROJECT NO:
MISC

DATE:
2023.05.12

SHEET NO:
S1

NOTE: THESE DRAWINGS ARE VALID FOR (1) CALENDER YEAR AFTER THE ISSUE DATE LISTED ON THIS SHEET.

SHEET INDEX

SHEET NUMBER	SHEET TITLE
S0	COVER SHEET
S1	SEALS
S1A	SEALS
S2	INDEX
S3	GENERAL NOTES
S4	END ELEVATION
S4A	SIDE ELEVATION
S5	FRAME SECTIONS
S6	FRAME SECTIONS
S7	COLUMN CONNECTIONS
S7A	COLUMN CONNECTIONS
S8	BASE RAIL ANCHORAGE
S8A	BASE RAIL ANCHORAGE
S8B	BASE RAIL ANCHORAGE
S8C	BASE RAIL ANCHORAGE
S9	END WALL SECTIONS
S9A	END WALL SECTIONS
S9B	END WALL SECTIONS
S10	CONNECTION DETAILS
S11	CONNECTION DETAILS
S12	CONNECTION DETAILS
S13	CONNECTION DETAILS
S14	LEAN-TO OPTIONS
S14A	LEAN-TO OPTIONS
S14B	LEAN-TO OPTIONS
S14C	LEAN-TO OPTIONS
S14D	LEAN-TO OPTIONS
S15	END ELEVATION – VERTICAL SIDING
S15A	SIDE ELEVATION – VERTICAL SIDING
S16	WALL SECTION – VERTICAL SIDING
S16A	WALL SECTION – VERTICAL SIDING
S17	HEADER INFORMATION
S17A	HEADER INFORMATION
S18	U-CHANNEL BRACE

FRONTLINE STEEL STRUCTURES, LLC - CUSTOMER USE ONLY



TAYLOR & VIOLA
STRUCTURAL ENGINEERS

P.O.B. 2616 HICKORY NORTH CAROLINA
TELE: 828-328-6331 FAX: 828-322-1801
WWW.TAYLORVIOLA.COM

FRONTLINE STEEL
STRUCTURES, LLC
MT. AIRY, NORTH CAROLINA

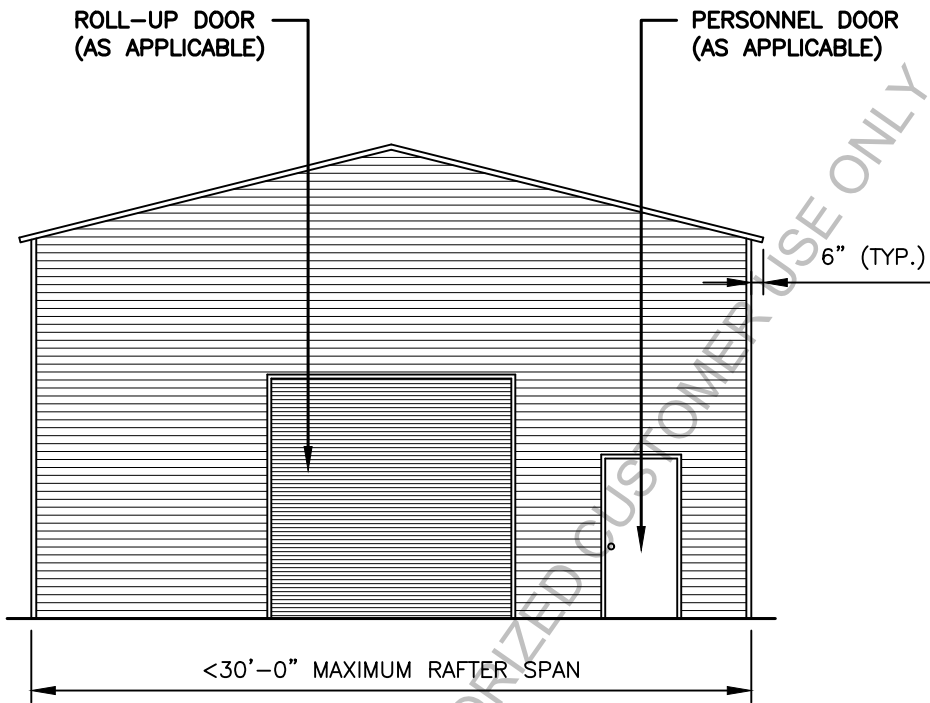
DRAWN BY:
BKS

PROJECT NO:
MISC

DATE:
2023.05.12

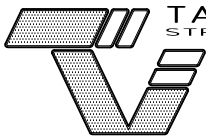
SHEET NO:
S2

NOTE: THESE DRAWINGS ARE VALID FOR (1) CALENDER YEAR AFTER THE ISSUE DATE LISTED ON THIS SHEET.



TYPICAL END ELEVATION - VERTICAL ROOF

FRONTLINE STEEL STRUCTURES AUTHORIZED CUSTOMER USE ONLY



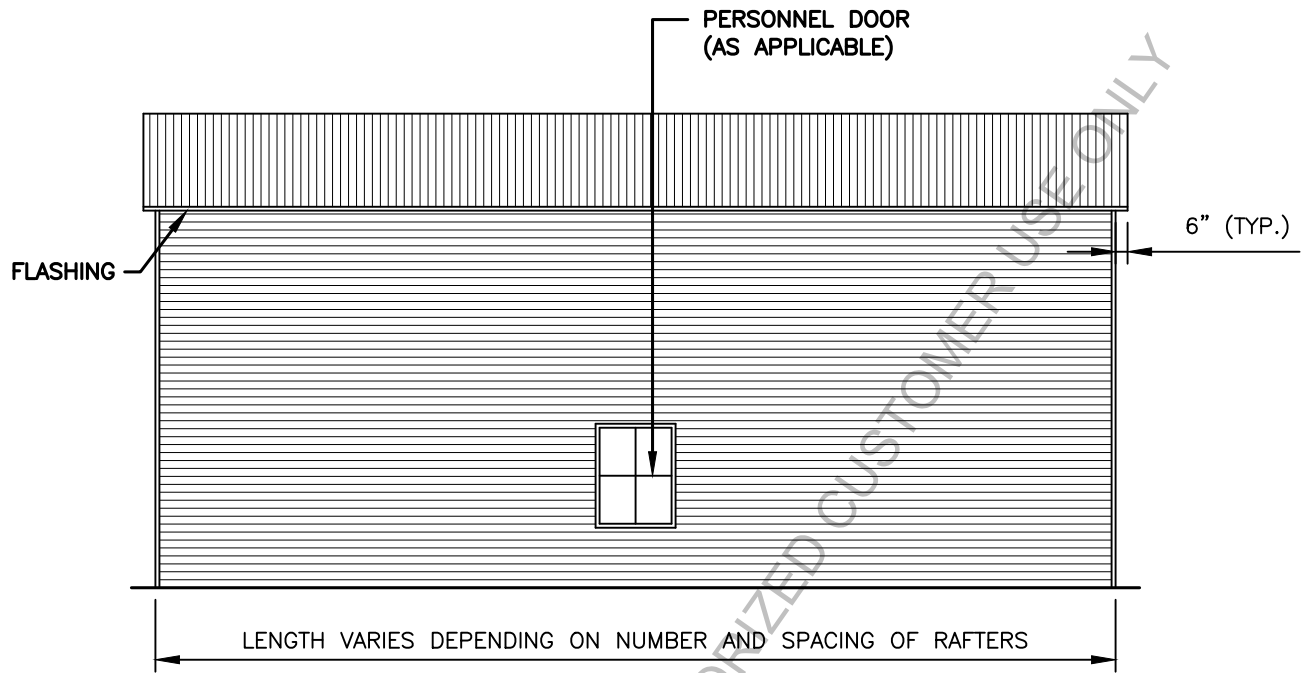
TAYLOR & VIOLA
STRUCTURAL ENGINEERS

P.O.B. 2616 HICKORY NORTH CAROLINA
TELE: 828-328-6331 FAX: 828-322-1801
WWW.TAYLORVIOLA.COM

FRONTLINE STEEL
STRUCTURES, LLC
MT. AIRY, NORTH CAROLINA

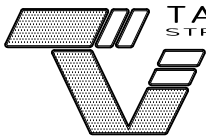
DRAWN BY: BKS	PROJECT NO: MISC
DATE: 2023.05.12	SHEET NO: S4

NOTE: THESE DRAWINGS ARE VALID FOR (1) CALENDER YEAR AFTER THE ISSUE DATE LISTED ON THIS SHEET.



TYPICAL SIDE ELEVATION - VERTICAL ROOF

FRONTLINE STEEL STRUCTURES AUTHORIZED CUSTOMER USE ONLY



TAYLOR & VIOLA
STRUCTURAL ENGINEERS

P.O.B. 2616 HICKORY NORTH CAROLINA
TELE: 828-328-6331 FAX: 828-322-1801
WWW.TAYLORVIOLA.COM

FRONTLINE STEEL
STRUCTURES, LLC
MT. AIRY, NORTH CAROLINA

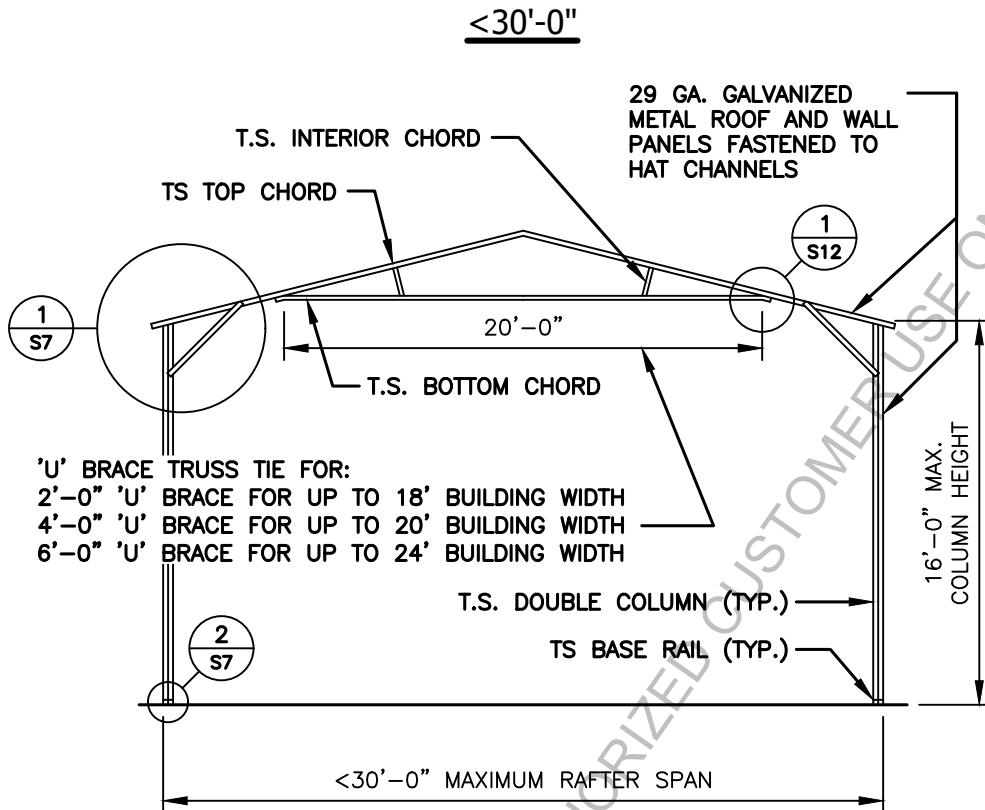
DRAWN BY:
BKS

PROJECT NO:
MISC

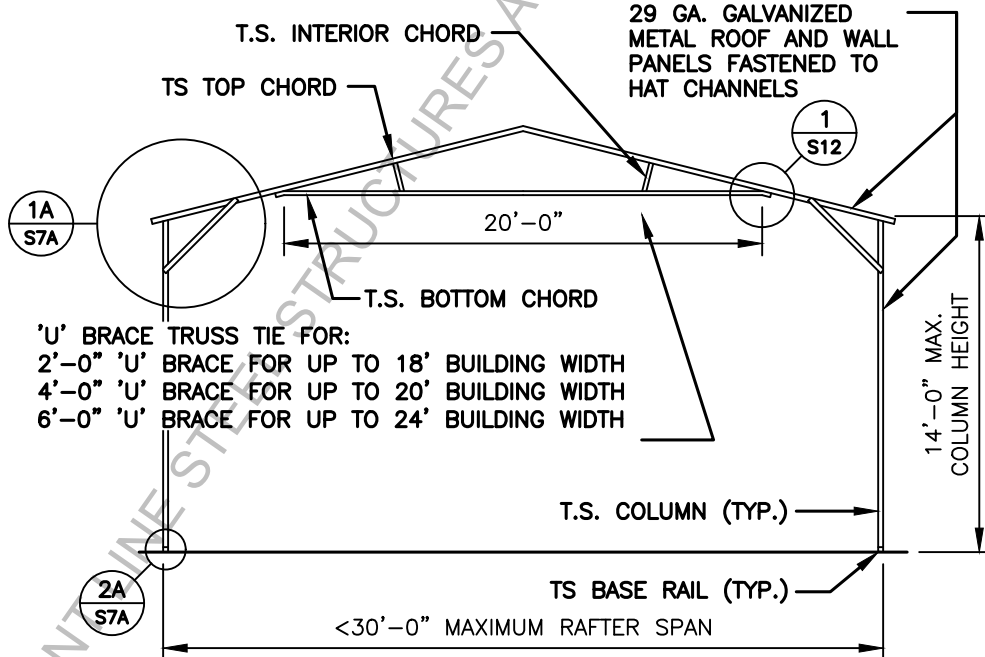
DATE:
2023.05.12

SHEET NO:
S4A

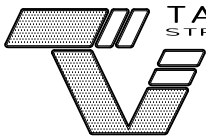
NOTE: THESE DRAWINGS ARE VALID FOR (1) CALENDER YEAR AFTER THE ISSUE DATE LISTED ON THIS SHEET.



TYPICAL RAFTER / COLUMN FRAME SECTION



TYPICAL RAFTER / COLUMN FRAME SECTION



TAYLOR & VIOLA
STRUCTURAL ENGINEERS

P.O.B. 2616 HICKORY NORTH CAROLINA
 TELE: 828-328-6331 FAX: 828-322-1801
 WWW.TAYLORVIOLA.COM

FRONTLINE STEEL
 STRUCTURES, LLC
 MT. AIRY, NORTH CAROLINA

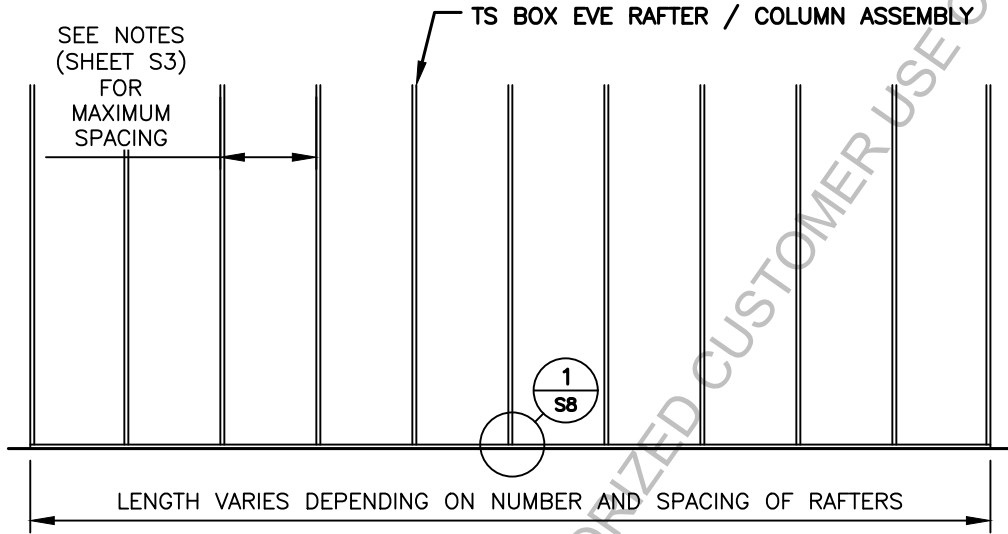
DRAWN BY:
BKS

PROJECT NO:
MISC

DATE:
2023.05.12

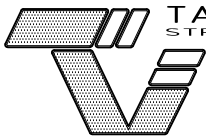
SHEET NO:
S5

NOTE: THESE DRAWINGS ARE VALID FOR (1) CALENDER YEAR AFTER THE ISSUE DATE LISTED ON THIS SHEET.



TYPICAL RAFTER / COLUMN SIDE FRAME SECTION

FRONT LINE STEEL STRUCTURES AUTHORIZED CUSTOMER USE ONLY



TAYLOR & VIOLA
STRUCTURAL ENGINEERS

P.O.B. 2616 HICKORY NORTH CAROLINA
TELE: 828-328-6331 FAX: 828-322-1801
WWW.TAYLORVIOLA.COM

FRONTLINE STEEL
STRUCTURES, LLC
MT. AIRY, NORTH CAROLINA

DRAWN BY:
BKS

PROJECT NO:
MISC

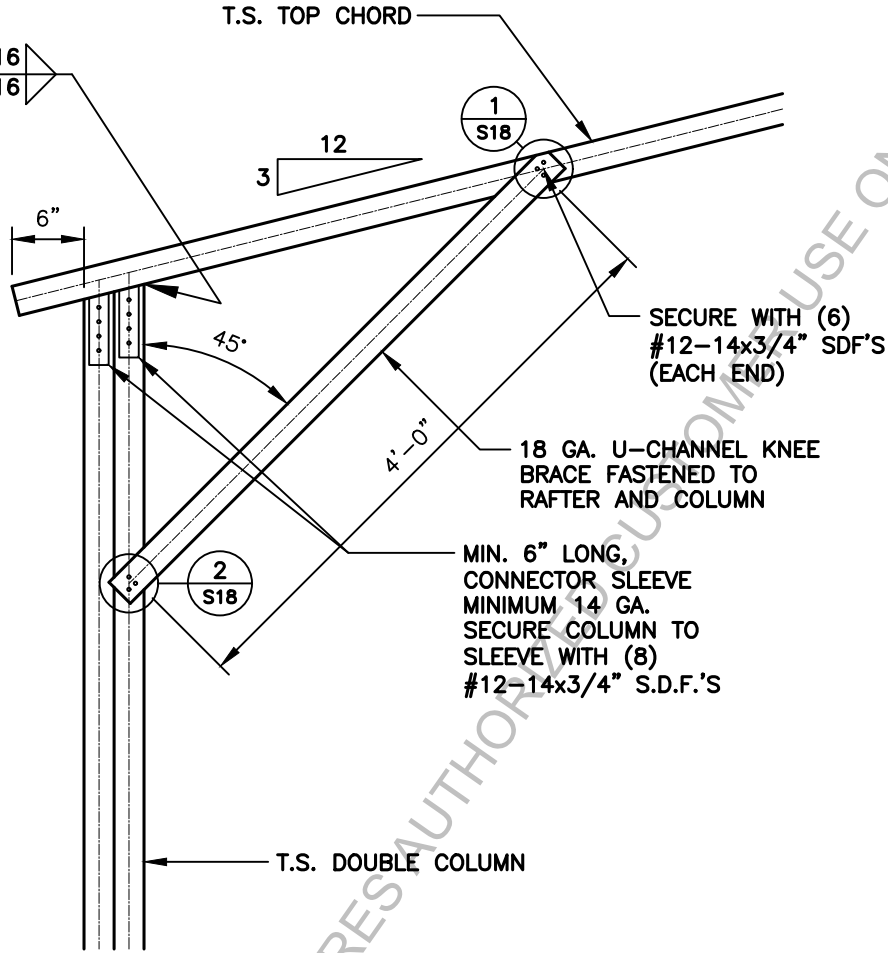
DATE:
2023.05.12

SHEET NO:
S6

NOTE: THESE DRAWINGS ARE VALID FOR (1) CALENDER YEAR AFTER THE ISSUE DATE LISTED ON THIS SHEET.

DOUBLE TUBE COLUMN OPTION

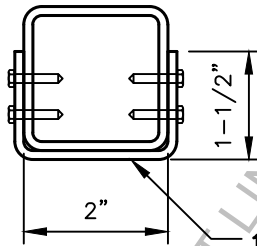
CONNECTOR SLEEVE TO BOTTOM CHORD (TYP.)



BOX EAVE RAFTER COLUMN CONNECTION DETAIL FOR HEIGHTS <16'-0"

1
S7

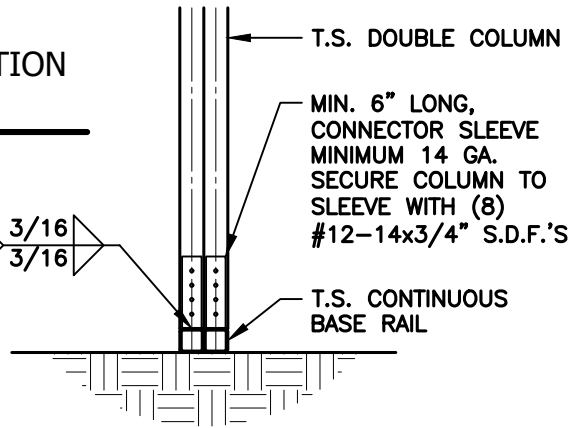
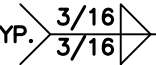
SCALE: 3/4" = 1'-0"



BRACE SECTION

18 GA. U-CHANNEL BRACE FASTENED TO THE COLUMN AND BOTTOM CHORD, WITH (8) #12-14x3/4" SDF'S AT EACH END (16 PER BRACE)

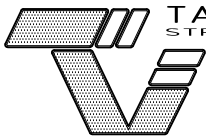
CONNECTOR SLEEVE TO BOTTOM CHORD (TYP.)



2
S7

COLUMN / BASE RAIL CONNECTION DETAIL

SCALE: 3/4" = 1'-0"



TAYLOR & VIOLA
STRUCTURAL ENGINEERS

P.O.B. 2616 HICKORY NORTH CAROLINA
TELE: 828-328-6331 FAX: 828-322-1801
WWW.TAYLORVIOLA.COM

FRONTLINE STEEL
STRUCTURES, LLC
MT. AIRY, NORTH CAROLINA

DRAWN BY:
BKS

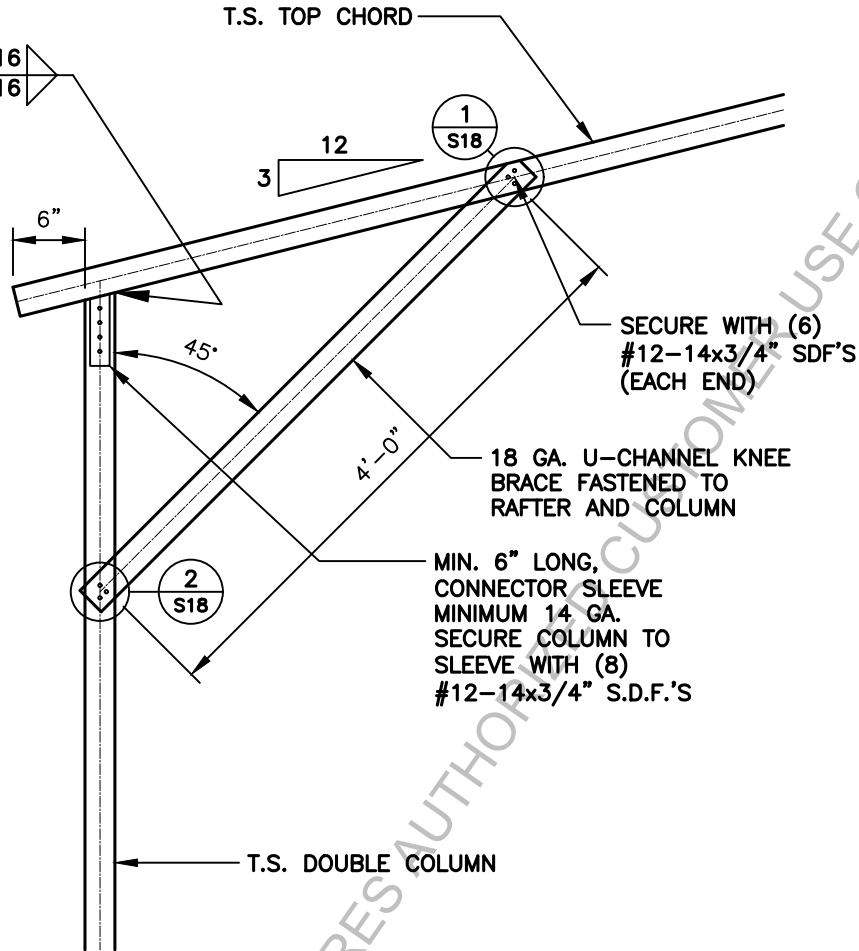
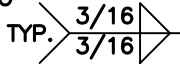
PROJECT NO:
MISC

DATE:
2023.05.12

SHEET NO:
S7

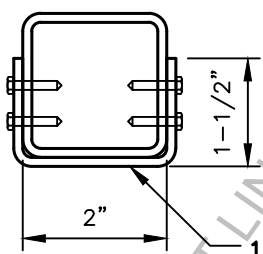
SINGLE TUBE COLUMN OPTION

CONNECTOR SLEEVE TO BOTTOM CHORD (TYP.)



BOX EAVE RAFTER COLUMN CONNECTION DETAIL FOR HEIGHTS <14'-0"

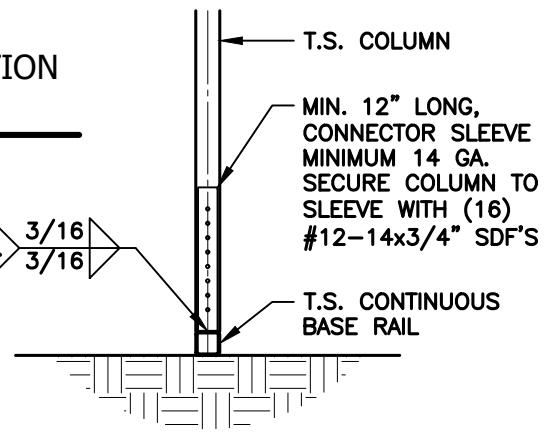
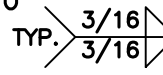
1A
S7A SCALE: 3/4" = 1'-0"



BRACE SECTION

18 GA. U-CHANNEL BRACE FASTENED TO THE COLUMN AND BOTTOM CHORD, WITH (8) #12-14x3/4" SDF'S AT EACH END (16 PER BRACE)

CONNECTOR SLEEVE TO BOTTOM CHORD (TYP.)



COLUMN / BASE RAIL CONNECTION DETAIL

2A
S7A SCALE: 3/4" = 1'-0"

TAYLOR & VIOLA
STRUCTURAL ENGINEERS
P.O.B. 2616 HICKORY NORTH CAROLINA
TELE: 828-328-6331 FAX: 828-322-1801
WWW.TAYLORVIOLA.COM

FRONTLINE STEEL
STRUCTURES, LLC
MT. AIRY, NORTH CAROLINA

DRAWN BY: BKS	PROJECT NO: MISC
DATE: 2023.05.12	SHEET NO: S7A

NOTE: THESE DRAWINGS ARE VALID FOR (1) CALENDER YEAR AFTER THE ISSUE DATE LISTED ON THIS SHEET.

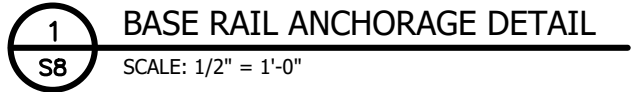
BASE RAIL ANCHORAGE

INSTALL (1) 1/2"x6 1/2" EXPANSION ANCHOR THROUGH BASE RAIL WITHIN 6" OF EACH COLUMN. (ALSO APPLICABLE TO END WALLS)

CONT. (1) #4 NOSING BAR

CONT. (2) #4 BARS

#4 HOOPS @ 48"oc



1 BASE RAIL ANCHORAGE DETAIL

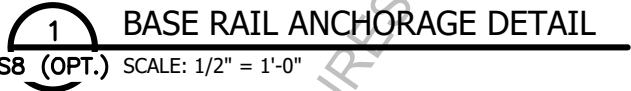
S8 SCALE: 1/2" = 1'-0"

INSTALL (1) 1/2"x6 1/2" EXPANSION ANCHOR THROUGH BASE RAIL WITHIN 6" OF EACH COLUMN. (ALSO APPLICABLE TO END WALLS)

CONT. (1) #4 NOSING BAR

CONT. (2) #4 BARS

#4 HOOPS @ 48"oc

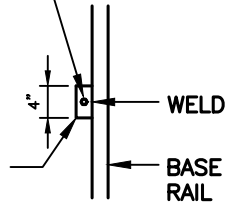


1 BASE RAIL ANCHORAGE DETAIL

S8 (OPT.) SCALE: 1/2" = 1'-0"

INSTALL (1) 1/2"x6 1/2" EXPANSION ANCHOR THROUGH BASE RAIL WITHIN 6" OF EACH COLUMN. (ALSO APPLICABLE TO END WALLS)

SAME MATERIAL AS BASE RAIL



PLAN VIEW

GENERAL NOTES:

ALL CONCRETE MONOLITHIC SLAB DESIGN BASED ON MINIMUM SOIL BEARING CAPACITY OF 2,000 PSF

CONCRETE:

CONCRETE SHALL HAVE A MINIMUM SPECIFIED COMPRESSIVE STRENGTH OF 3,000 PSI AT 28 DAYS

COVER OVER REINFORCING STEEL:

FOR FOUNDATIONS, MINIMUM CONCRETE COVER OVER REINFORCING BARS SHALL BE PER ACI-318: 3" IN FOUNDATIONS WHERE THE CONCRETE IS CAST AGAINST AND PERMANENTLY IN CONTACT WITH THE EARTH OR EXPOSED TO THE EARTH AND WEATHER AND 1-1/2" ELSEWHERE.

REINFORCING STEEL:

THE TURNDOWN REINFORCING STEEL SHALL BE ASTM A615 GRADE 60. THE SLAB REINFORCEMENT SHALL BE WELDED WIRE FABRIC MEETING ASTM A185 OR FIBERGLASS FIBER REINFORCEMENT.

REINFORCEMENT MAT BE BENT IN THE SHOP OF THE FIELD PROVIDED:

1. REINFORCEMENT IS BENT COLD.
2. THE DIAMETER OF THE BEND, MEASURED ON THE INSIDE OF THE BAR, IS NOT LESS THAN SIX-BAR DIAMETERS.
3. REINFORCEMENT PARTIALLY EMBEDDED IN CONCRETE SHALL NOT BE FIELD BENT.



FRONTLINE STEEL
STRUCTURES, LLC
MT. AIRY, NORTH CAROLINA

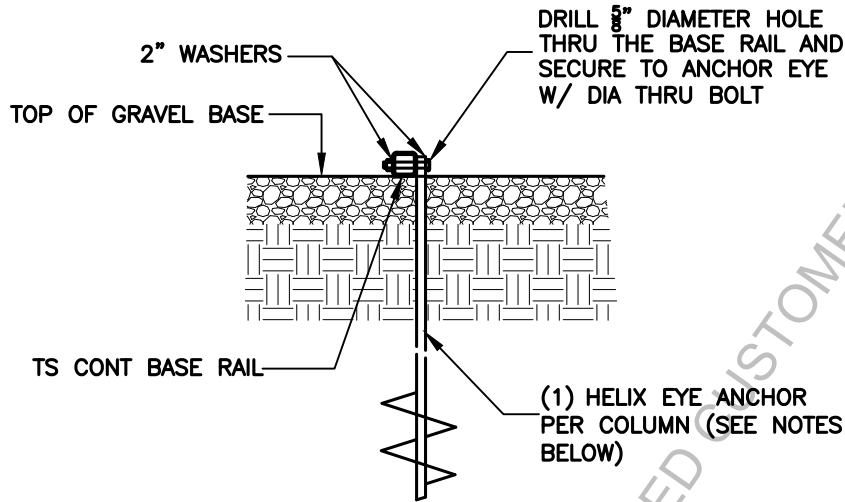
DRAWN BY:
BKS

PROJECT NO:
MISC

DATE:
2023.05.12

SHEET NO:
S8

BASE RAIL ANCHORAGE

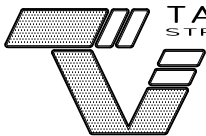


1
S8A

BASE RAIL ANCHORAGE DETAIL

SCALE: 3/4" = 1'-0"

HELIX EMBEDMENT INFORMATION:
 FOR VERY DENSE OR CEMENTED SANDS, COARSE GRAVEL, COBBLES, CALICHE, PRELOADED SILTS AND CLAYS, USE MIN (2) 4" HELICES WITH MINIMUM 30" EMBEDMENT OR SINGLE 6" HELIX WITH 50" EMBEDMENT
 FOR CORAL, USE MIN (2) 4" HELICES WITH MINIMUM 30" EMBEDMENT OR SINGLE 6" HELIX WITH 50" EMBEDMENT
 FOR MED DENSE COARSE SANDS, SANDY GRAVEL, VERY STIFF SILTS, AND CLAYS, USE MIN (2) 4" HELICES WITH MINIMUM 30" EMBEDMENT OR SINGLE 6" HELIX WITH 50" EMBEDMENT
 FOR LOOSE TO MEDIUM DENSE SANDS, FIRM TO STIFF CLAYS AND SILTS, USE MIN (2) 6" HELICES WITH MINIMUM 50" EMBEDMENT
 FOR VERY LOOSE TO MEDIUM DENSE SANDS, FIRM TO STIFFER CLAYS AND SILTS AND ALLUVIAL FILL, USE MIN (2) 8" HELICES WITH MINIMUM 60" EMBEDMENT



TAYLOR & VIOLA
STRUCTURAL ENGINEERS

P.O.B. 2616 HICKORY NORTH CAROLINA
 TELE: 828-328-6331 FAX: 828-322-1801
 WWW.TAYLORVIOLA.COM

FRONTLINE STEEL
 STRUCTURES, LLC
 MT. AIRY, NORTH CAROLINA

DRAWN BY:
BKS

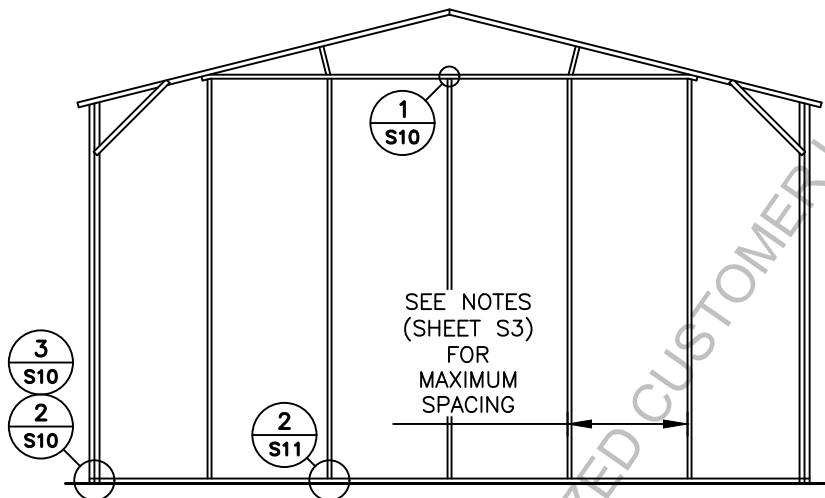
PROJECT NO:
MISC

DATE:
2023.05.12

SHEET NO:
S8A

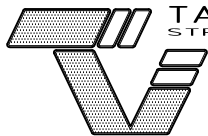
NOTE: THESE DRAWINGS ARE VALID FOR (1) CALENDER YEAR AFTER THE ISSUE DATE LISTED ON THIS SHEET.

TYPICAL END WALL FRAMING SECTION



TYPICAL END WALL FRAMING SECTION

FRONT LINE STEEL STRUCTURES AUTHORIZED CUSTOMER USE ONLY



TAYLOR & VIOLA
STRUCTURAL ENGINEERS

P.O.B. 2616 HICKORY NORTH CAROLINA
TELE: 828-328-6331 FAX: 828-322-1801
WWW.TAYLORVIOLA.COM

FRONTLINE STEEL
STRUCTURES, LLC
MT. AIRY, NORTH CAROLINA

DRAWN BY:
BKS

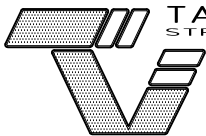
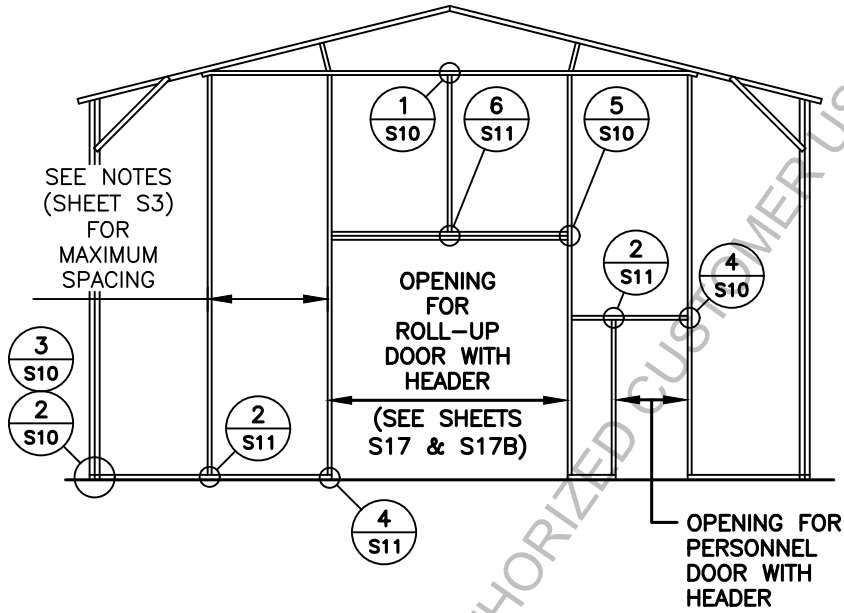
PROJECT NO:
MISC

DATE:
2023.05.12

SHEET NO:
S9

NOTE: THESE DRAWINGS ARE VALID FOR (1) CALENDER YEAR AFTER THE ISSUE DATE LISTED ON THIS SHEET.

TYPICAL END WALL FRAMING SECTION



TAYLOR & VIOLA
STRUCTURAL ENGINEERS

P.O.B. 2616 HICKORY NORTH CAROLINA
TELE: 828-328-6331 FAX: 828-322-1801
WWW.TAYLORVIOLA.COM

FRONTLINE STEEL
STRUCTURES, LLC
MT. AIRY, NORTH CAROLINA

DRAWN BY:
BKS

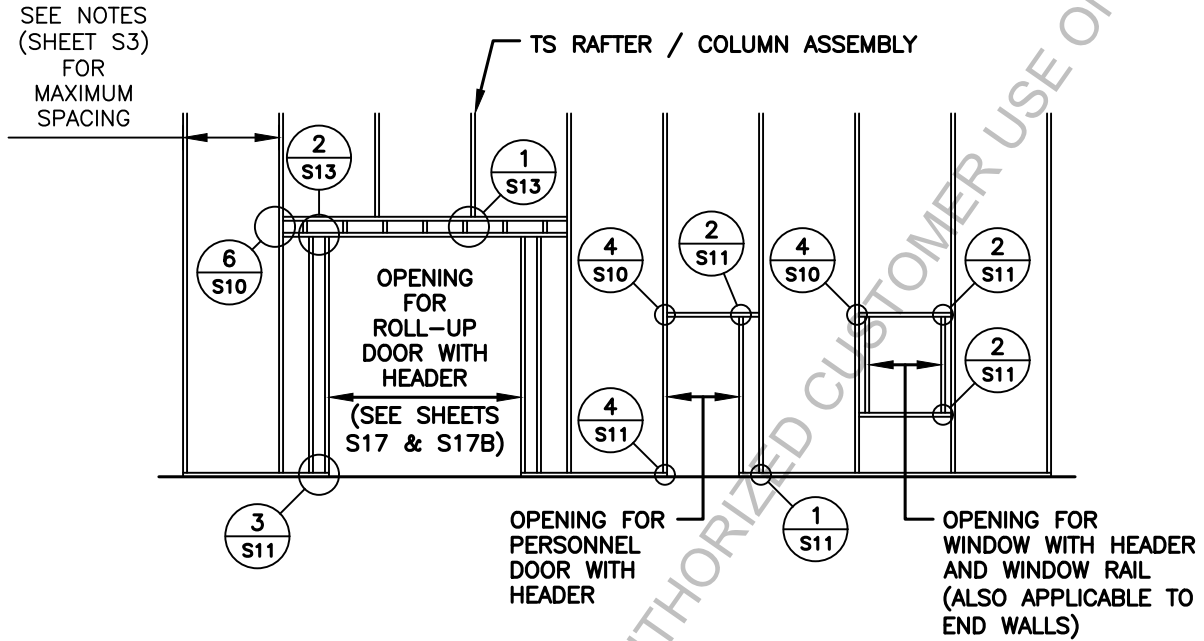
PROJECT NO:
MISC

DATE:
2023.05.12

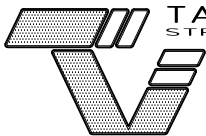
SHEET NO:
S9A

NOTE: THESE DRAWINGS ARE VALID FOR (1) CALENDER YEAR AFTER THE ISSUE DATE LISTED ON THIS SHEET.

TYPICAL SIDE WALL OPENING FRAMING SECTION



TYPICAL SIDE WALL OPENINGS FRAMING SECTION



TAYLOR & VIOLA
STRUCTURAL ENGINEERS

P.O.B. 2616 HICKORY NORTH CAROLINA
TELE: 828-328-6331 FAX: 828-322-1801
WWW.TAYLORVIOLA.COM

FRONTLINE STEEL
STRUCTURES, LLC
MT. AIRY, NORTH CAROLINA

DRAWN BY:
BKS

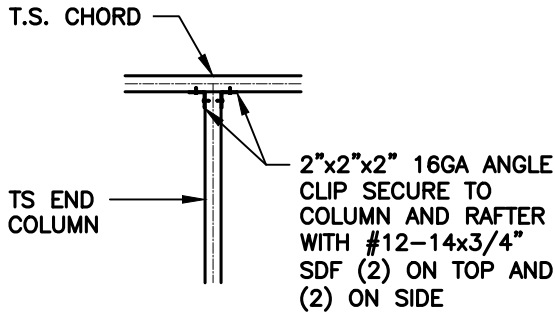
PROJECT NO:
MISC

DATE:
2023.05.12

SHEET NO:
S9B

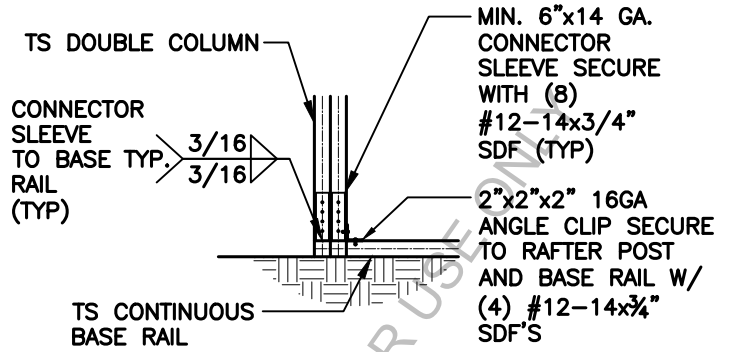
NOTE: THESE DRAWINGS ARE VALID FOR (1) CALENDER YEAR AFTER THE ISSUE DATE LISTED ON THIS SHEET.

CONNECTION DETAILS



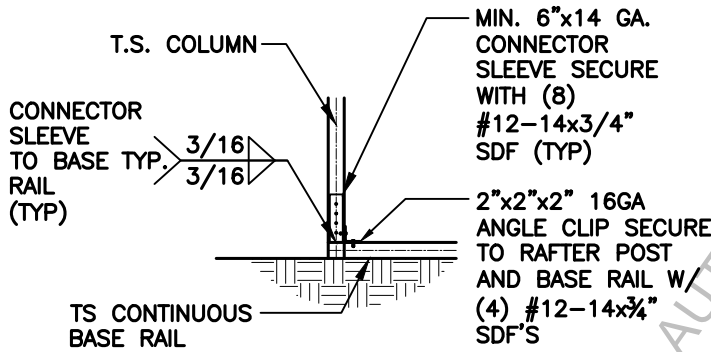
1
BOTTOM CHORD CONNECTION DETAIL

S10 SCALE: 1/2" = 1'-0"



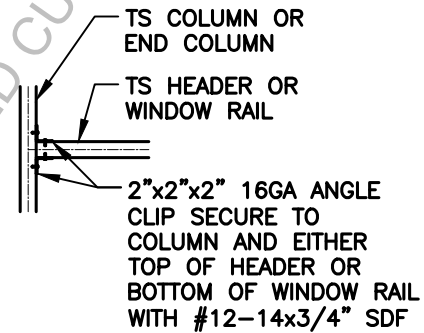
2
COLUMN / BASE RAIL CONNECTION DETAIL

S10 SCALE: 1/2" = 1'-0"



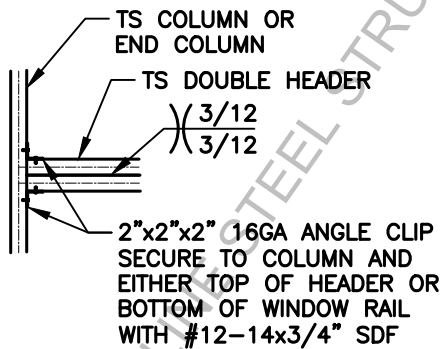
3
END POST / BASE RAIL CONNECTION DETAIL

S10 SCALE: 1/2" = 1'-0"



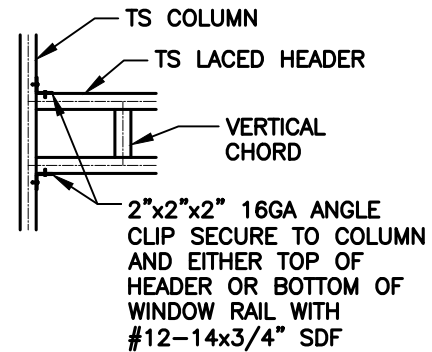
4
COLUMN OR WINDOW RAIL / WALL GIRTS TO POST CONNECTION DETAIL

S10 SCALE: 1/2" = 1'-0"



5
COLUMN / DOUBLE HEADER CONNECTION DETAIL

S10 SCALE: 1/2" = 1'-0"



6
COLUMN / LACED HEADER CONNECTION DETAIL

S10 SCALE: 1/2" = 1'-0"



FRONTLINE STEEL
STRUCTURES, LLC
MT. AIRY, NORTH CAROLINA

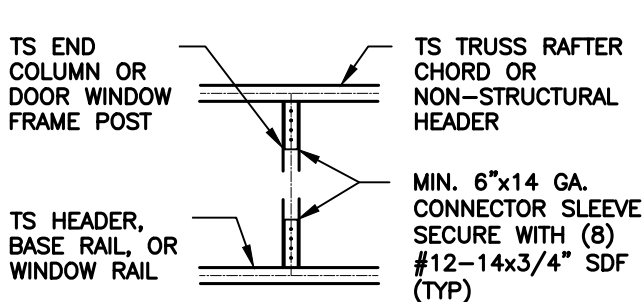
DRAWN BY:
BKS

PROJECT NO:
MISC

DATE:
2023.05.12

SHEET NO:
S10

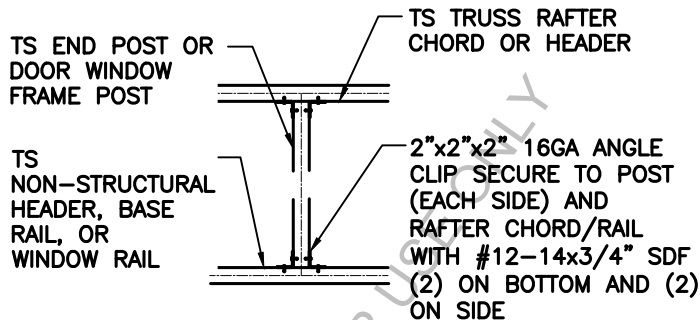
CONNECTION DETAILS



1
COLUMN TO HEADER OR BASE RAIL CONNECTION DETAIL

S11

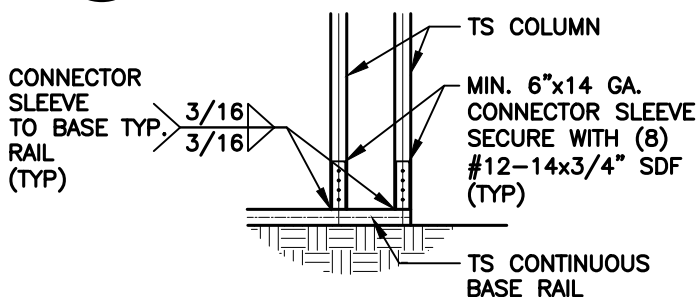
SCALE: 1/2" = 1'-0"



2
DOOR OR WINDOW HEADER RAIL TO POST CONNECTION DETAIL

S11

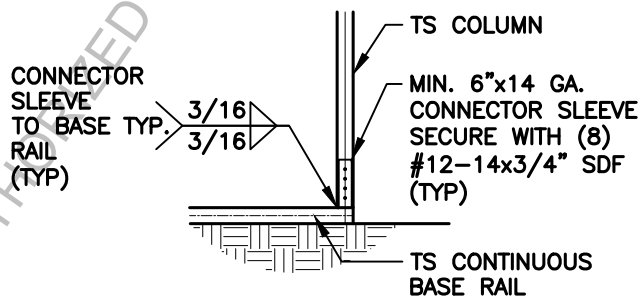
SCALE: 1/2" = 1'-0"



3
COLUMN / BASE RAIL CONNECTION DETAIL

S11

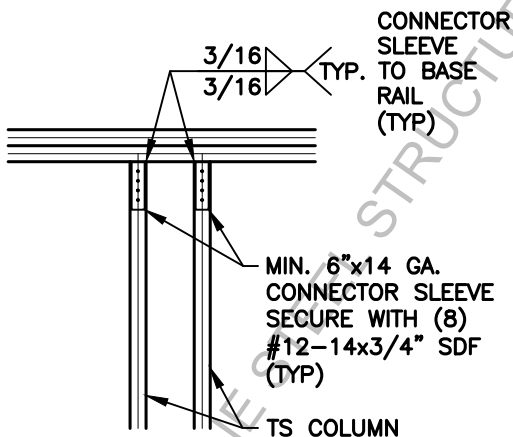
SCALE: 1/2" = 1'-0"



4
COLUMN / BASE RAIL CONNECTION DETAIL

S11

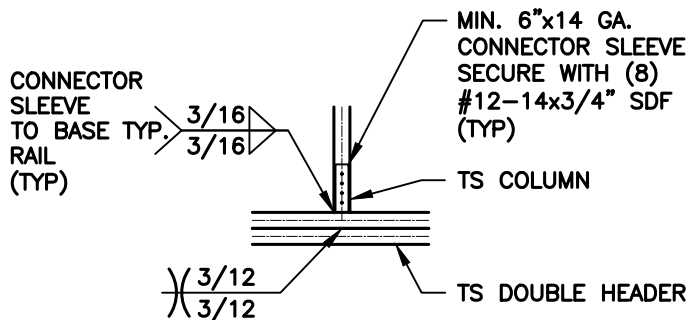
SCALE: 1/2" = 1'-0"



5
DOUBLE HEADER / COLUMN CONNECTION DETAIL

S11

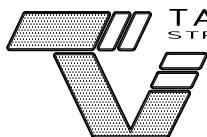
SCALE: 1/2" = 1'-0"



6
COLUMN / DOUBLE HEADER CONNECTION DETAIL

S11

SCALE: 1/2" = 1'-0"



TAYLOR & VIOLA
STRUCTURAL ENGINEERS
P.O.B. 2616 HICKORY NORTH CAROLINA
TELE: 828-328-6331 FAX: 828-322-1801
WWW.TAYLORVIOLA.COM

FRONTLINE STEEL
STRUCTURES, LLC
MT. AIRY, NORTH CAROLINA

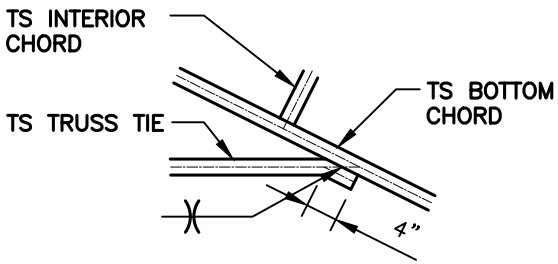
DRAWN BY:
BKS

PROJECT NO:
MISC

DATE:
2023.05.12

SHEET NO:
S11

CONNECTION DETAILS

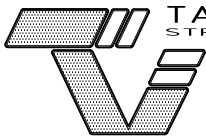


TRUSS TIE
CONNECTION DETAIL

1
S12

SCALE: 1/2" = 1'-0"

FRONT LINE STEEL STRUCTURES AUTHORIZED CUSTOMER USE ONLY



TAYLOR & VIOLA
STRUCTURAL ENGINEERS

P.O.B. 2616 HICKORY NORTH CAROLINA
TELE: 828-328-6331 FAX: 828-322-1801
WWW.TAYLORVIOLA.COM

FRONTLINE STEEL
STRUCTURES, LLC
MT. AIRY, NORTH CAROLINA

DRAWN BY:
BKS

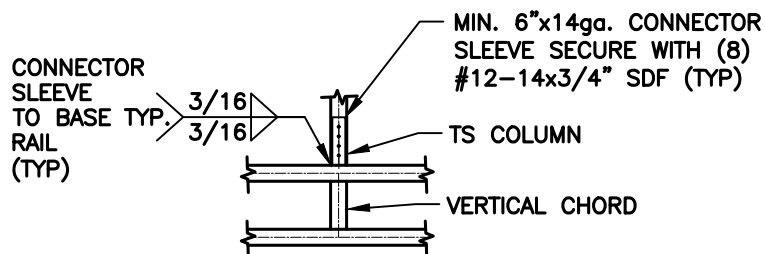
PROJECT NO:
MISC

DATE:
2023.05.12

SHEET NO:
S12

NOTE: THESE DRAWINGS ARE VALID FOR (1) CALENDER YEAR AFTER THE ISSUE DATE LISTED ON THIS SHEET.

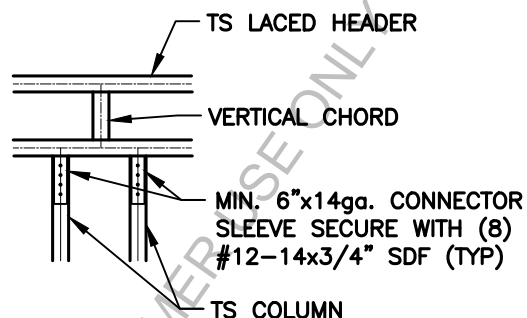
CONNECTION DETAILS



COLUMN / LACED HEADER
CONNECTION DETAIL

1
S13

SCALE: 1/2" = 1'-0"

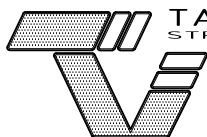


LACED HEADER / COLUMN
CONNECTION DETAIL

1
S13

SCALE: 1/2" = 1'-0"

FRONTLINE STEEL STRUCTURES AUTHORIZED CUSTOMER USE ONLY



TAYLOR & VIOLA
STRUCTURAL ENGINEERS

P.O.B. 2616 HICKORY NORTH CAROLINA
TELE: 828-328-6331 FAX: 828-322-1801
WWW.TAYLORVIOLA.COM

FRONTLINE STEEL
STRUCTURES, LLC
MT. AIRY, NORTH CAROLINA

DRAWN BY:
BKS

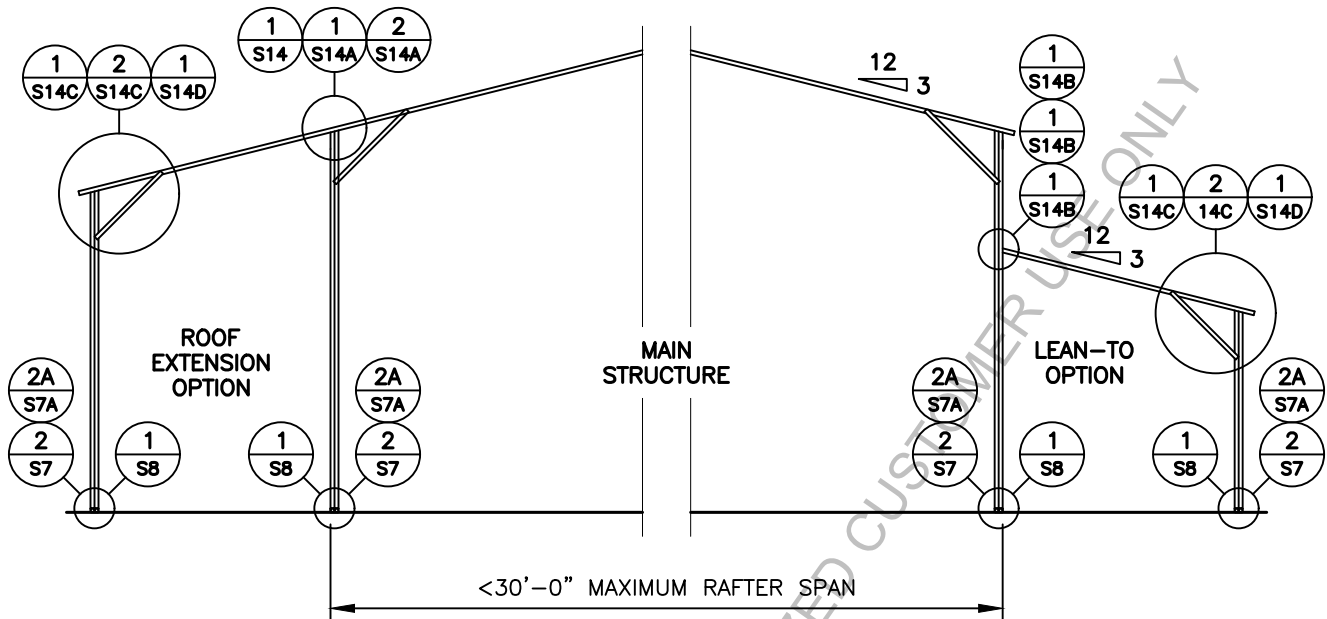
PROJECT NO:
MISC

DATE:
2023.05.12

SHEET NO:
S13

NOTE: THESE DRAWINGS ARE VALID FOR (1) CALENDER YEAR AFTER THE ISSUE DATE LISTED ON THIS SHEET.

LEAN-TO OPTIONS

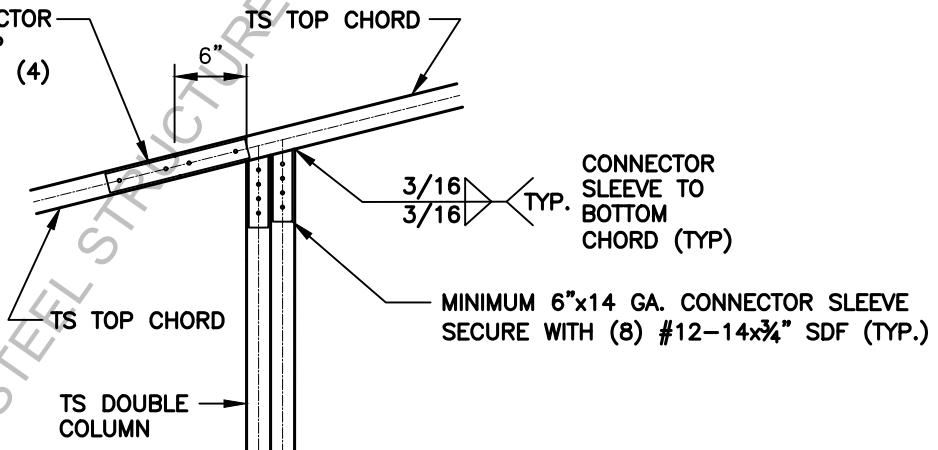


TYPICAL LEAN-TO OPTIONS FRAMING SECTION (BOTH OPTIONS SHOWN)

MAIN BUILDING COLUMNS WITH LEAN-TO OR ROOF EXTENSION ATTACHED ARE REQUIRED TO BE DOUBLE COLUMNS FOR EAVE HEIGHTS <14'-1" TO <16'-0"

MAIN BUILDING COLUMNS WITH LEAN-TO OR ROOF EXTENSION ATTACHED ARE REQUIRED TO BE SINGLE COLUMN FOR EAVE HEIGHTS <14'-0"

12" LONG 14GA CONNECTOR SLEEVE SECURE TO TOP CHORD TO SLEEVE WITH (4) #12-14x3/4" SDF



SIDE EXTENSION RAFTER / CORNER POST DETAIL FOR RAFTER SPAN <12'-0"

1
S14

SCALE: 3/4" = 1'-0"



TAYLOR & VIOLA
STRUCTURAL ENGINEERS
P.O.B. 2616 HICKORY NORTH CAROLINA
TELE: 828-328-6331 FAX: 828-322-1801
WWW.TAYLORVIOLA.COM

FRONTLINE STEEL
STRUCTURES, LLC
MT. AIRY, NORTH CAROLINA

DRAWN BY:
BKS

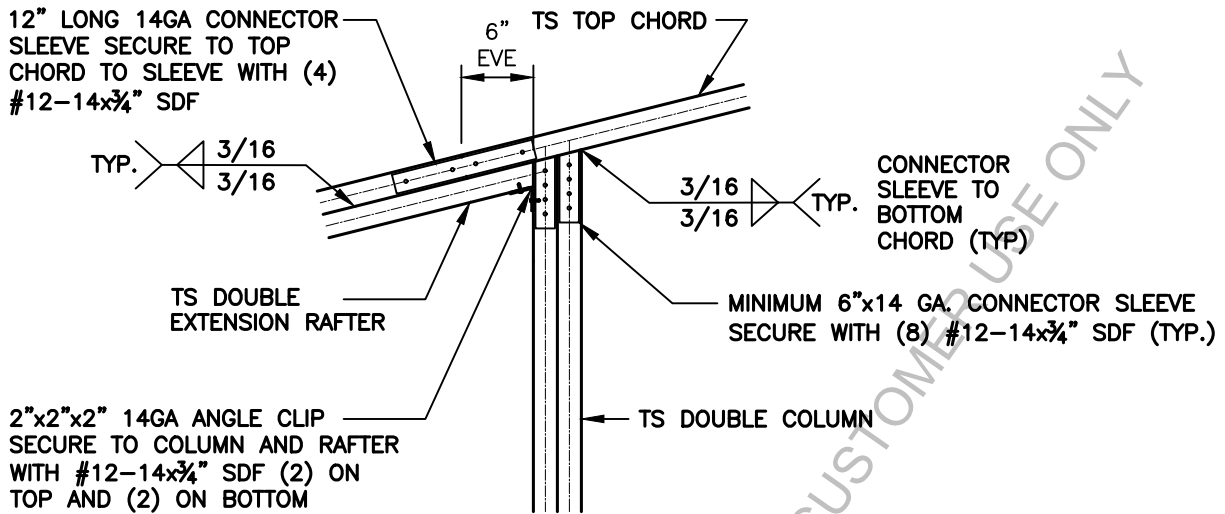
PROJECT NO:
MISC

DATE:
2023.05.12

SHEET NO:
S14

NOTE: THESE DRAWINGS ARE VALID FOR (1) CALENDER YEAR AFTER THE ISSUE DATE LISTED ON THIS SHEET.

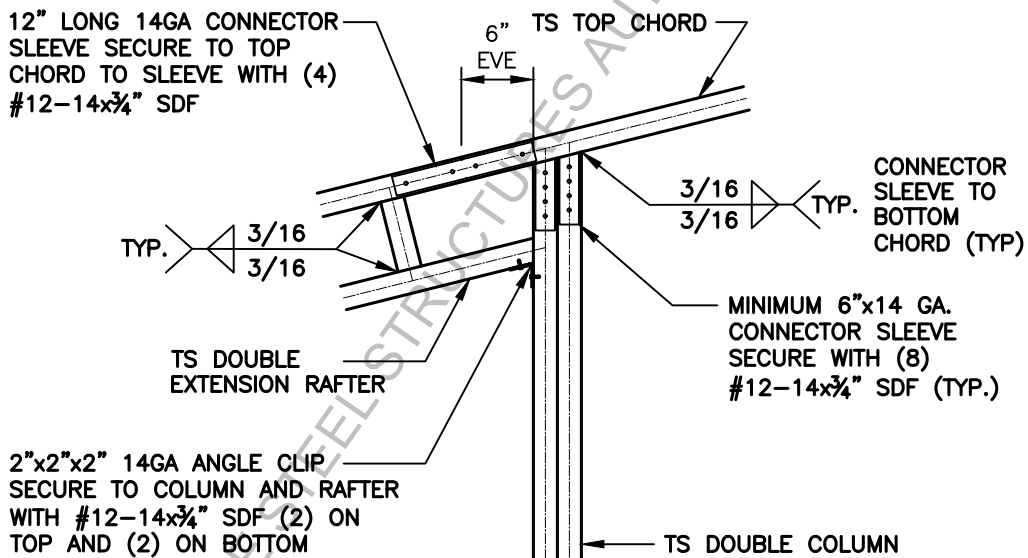
LEAN-TO OPTIONS FOR 41'-0" TO 50'-0"



1
S14A

SIDE EXTENSION RAFTER / CORNER POST
DETAIL FOR RAFTER SPAN <14'-1" TO <15'-0"

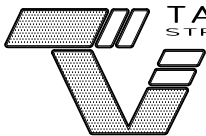
SCALE: 3/4" = 1'-0"



2
S14A

SIDE EXTENSION RAFTER / CORNER POST
DETAIL FOR RAFTER SPAN <15'-1" TO <20'-0"

SCALE: 3/4" = 1'-0"



TAYLOR & VIOLA
STRUCTURAL ENGINEERS
P.O.B. 2616 HICKORY NORTH CAROLINA
TELE: 828-328-6331 FAX: 828-322-1801
WWW.TAYLORVIOLA.COM

FRONTLINE STEEL
STRUCTURES, LLC
MT. AIRY, NORTH CAROLINA

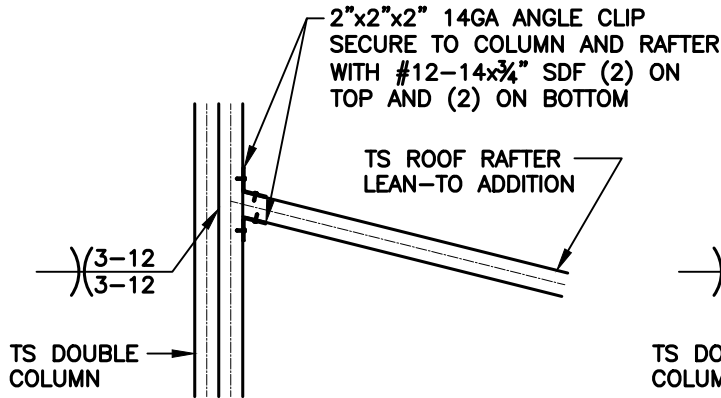
DRAWN BY:
BKS

PROJECT NO:
MISC

DATE:
2023.05.12

SHEET NO:
14A

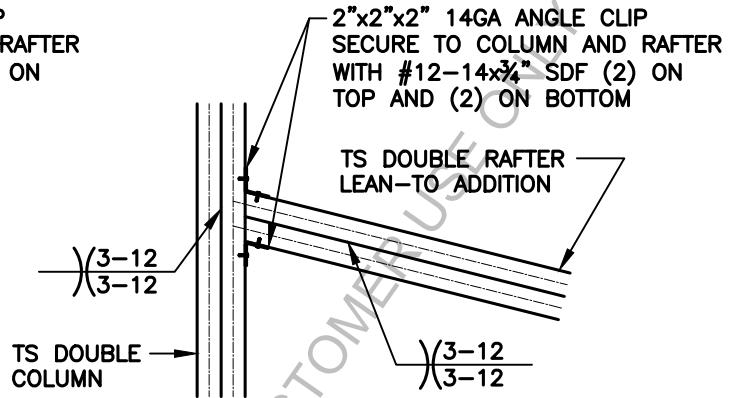
LEAN-TO OPTIONS FOR 41'-0" TO 50'-0"



LEAN-TO RAFTER TO RAFTER
POST CONNECTION DETAIL FOR
RAFTER SPAN < 12'-0"

1
S14B

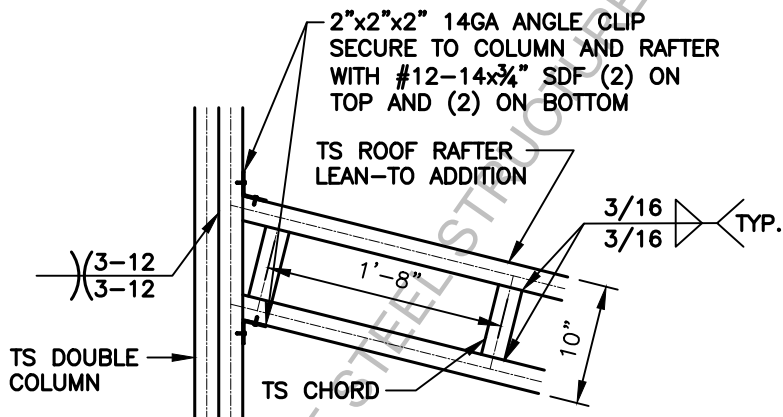
SCALE: 3/4" = 1'-0"



LEAN-TO RAFTER TO RAFTER
POST CONNECTION DETAIL FOR
RAFTER SPAN < 12'-1" TO < 15'-0"

2
S14B

SCALE: 3/4" = 1'-0"



LEAN-TO RAFTER TO RAFTER
POST CONNECTION DETAIL FOR
RAFTER SPAN < 15'-1" TO < 20'-0"

3
S14B

SCALE: 3/4" = 1'-0"



FRONTLINE STEEL
STRUCTURES, LLC
MT. AIRY, NORTH CAROLINA

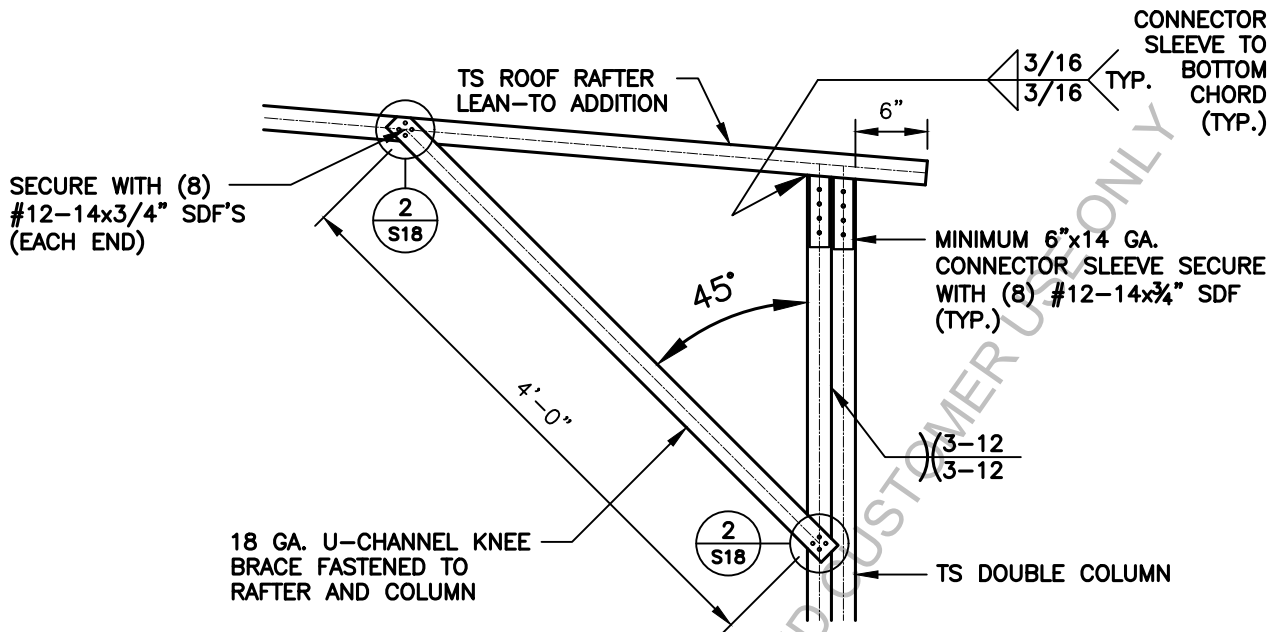
DRAWN BY:
BKS

PROJECT NO:
MISC

DATE:
2023.05.12

SHEET NO:
S14B

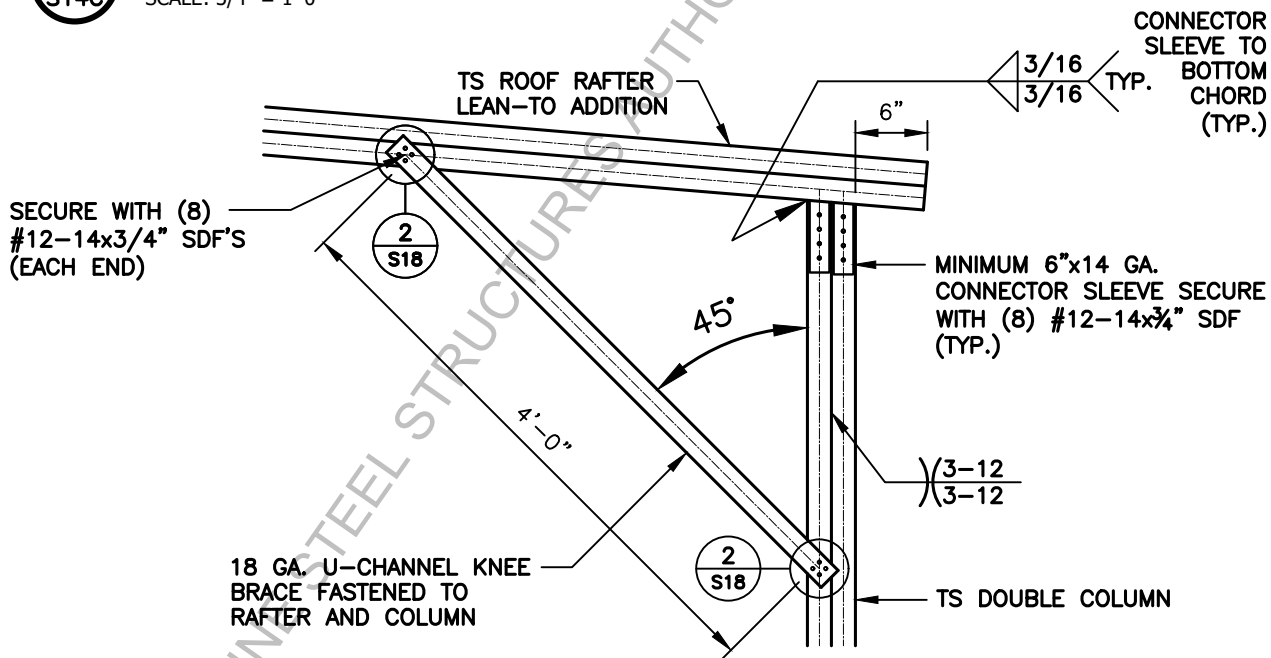
LEAN-TO OPTIONS FOR 41'-0" TO 50'-0"



BOX EAVE RAFTER COLUMN CONNECTION
DETAIL FOR RAFTER SPAN <12'-0"

1
S14C

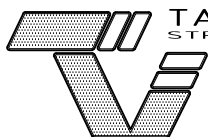
SCALE: 3/4" = 1'-0"



BOX EAVE RAFTER COLUMN CONNECTION
DETAIL FOR RAFTER SPAN <12'-1" TO <15'-0"

2
S14C

SCALE: 3/4" = 1'-0"



TAYLOR & VIOLA
STRUCTURAL ENGINEERS
P.O.B. 2616 HICKORY NORTH CAROLINA
TELE: 828-328-6331 FAX: 828-322-1801
WWW.TAYLORVIOLA.COM

FRONTLINE STEEL
STRUCTURES, LLC
MT. AIRY, NORTH CAROLINA

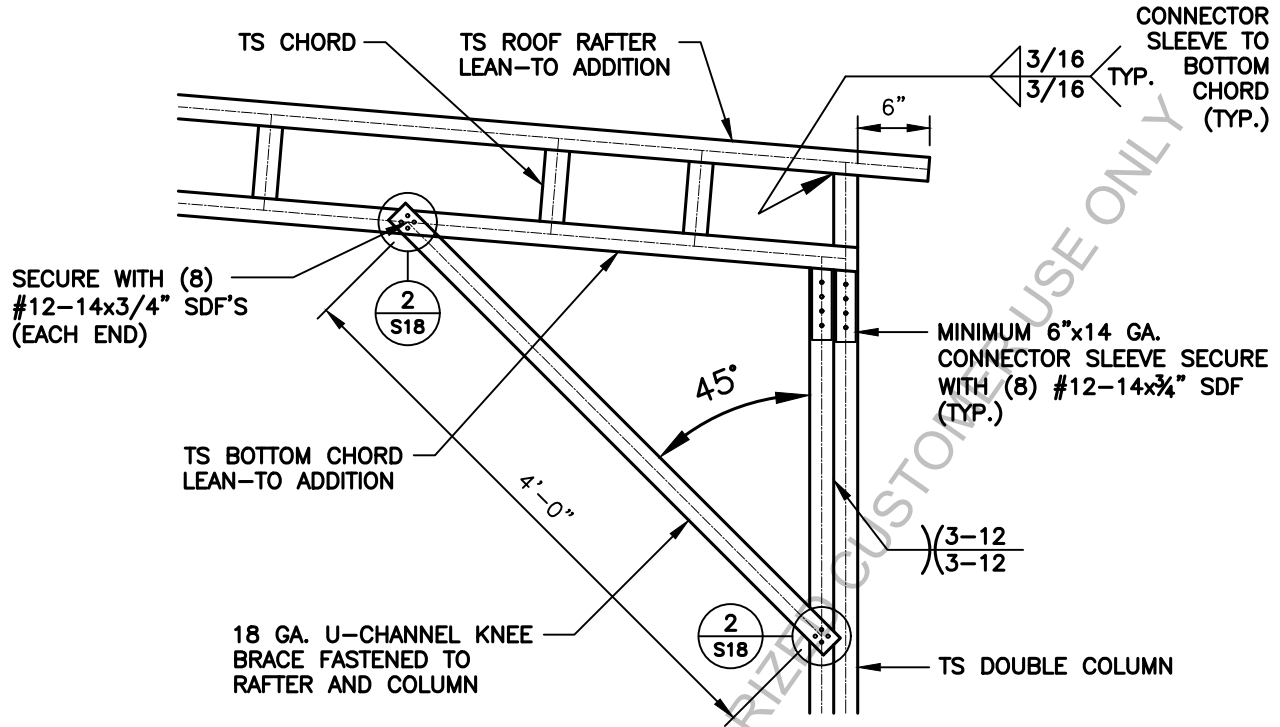
DRAWN BY:
BKS

PROJECT NO:
MISC

DATE:
2023.05.12

SHEET NO:
S14C

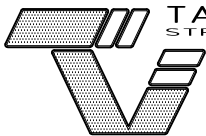
LEAN-TO OPTIONS FOR 41'-0" TO 50'-0"



BOX EAVE RAFTER COLUMN CONNECTION
 DETAIL FOR RAFTER SPAN <15'-1" TO <20'-0"

1
 S14D

SCALE: 3/4" = 1'-0"



TAYLOR & VIOLA
 STRUCTURAL ENGINEERS
 P.O.B. 2616 HICKORY NORTH CAROLINA
 TELE: 828-328-6331 FAX: 828-322-1801
 WWW.TAYLORVIOLA.COM

FRONTLINE STEEL
 STRUCTURES, LLC
 MT. AIRY, NORTH CAROLINA

DRAWN BY:
 BKS

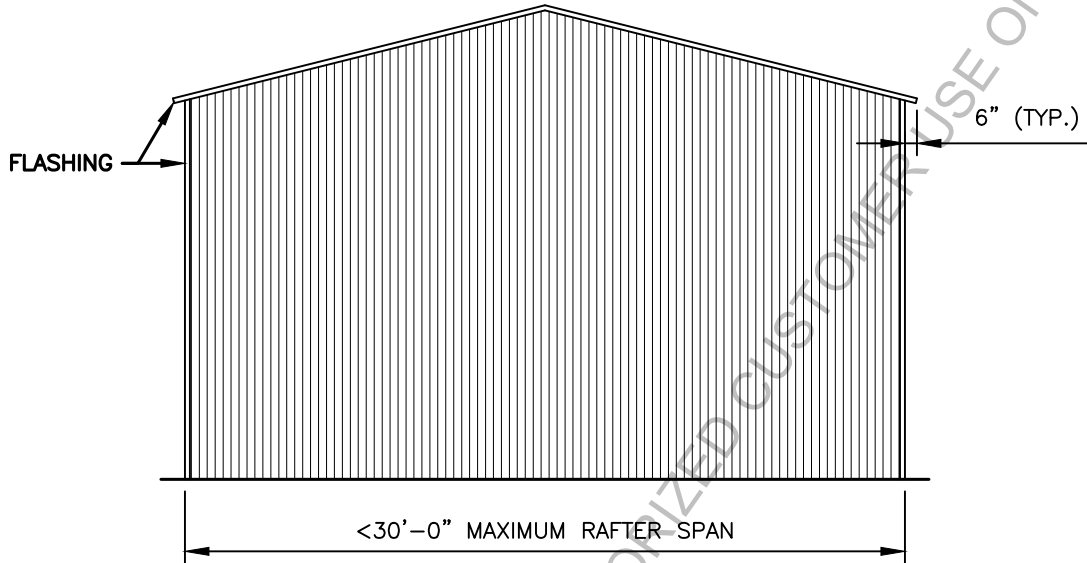
PROJECT NO:
 MISC

DATE:
 2023.05.12

SHEET NO:
S14D

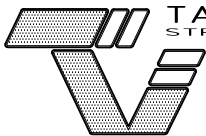
NOTE: THESE DRAWINGS ARE VALID FOR (1) CALENDER YEAR AFTER THE ISSUE DATE LISTED ON THIS SHEET.

VERTICAL ROOF / SIDING OPTION



TYPICAL END ELEVATION - VERTICAL ROOF / SIDING

FRONTLINE STEEL STRUCTURES AUTHORIZED CUSTOMER USE ONLY



TAYLOR & VIOLA
STRUCTURAL ENGINEERS

P.O.B. 2616 HICKORY NORTH CAROLINA
TELE: 828-328-6331 FAX: 828-322-1801
WWW.TAYLORVIOLA.COM

FRONTLINE STEEL
STRUCTURES, LLC
MT. AIRY, NORTH CAROLINA

DRAWN BY:
BKS

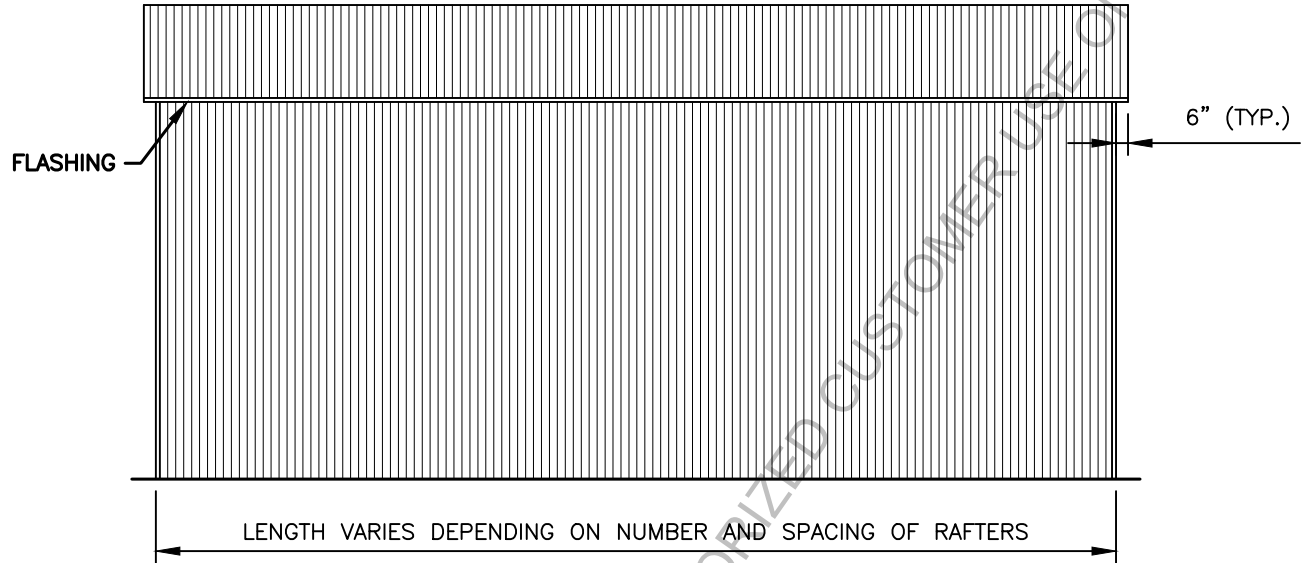
PROJECT NO:
MISC

DATE:
2023.05.12

SHEET NO:
S15

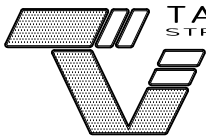
NOTE: THESE DRAWINGS ARE VALID FOR (1) CALENDER YEAR AFTER THE ISSUE DATE LISTED ON THIS SHEET.

VERTICAL ROOF / SIDING OPTION



TYPICAL END ELEVATION - VERTICAL ROOF / SIDING

FRONTLINE STEEL STRUCTURES AUTHORIZED CUSTOMER USE ONLY



TAYLOR & VIOLA
STRUCTURAL ENGINEERS

P.O.B. 2616 HICKORY NORTH CAROLINA
TELE: 828-328-6331 FAX: 828-322-1801
WWW.TAYLORVIOLA.COM

FRONTLINE STEEL
STRUCTURES, LLC
MT. AIRY, NORTH CAROLINA

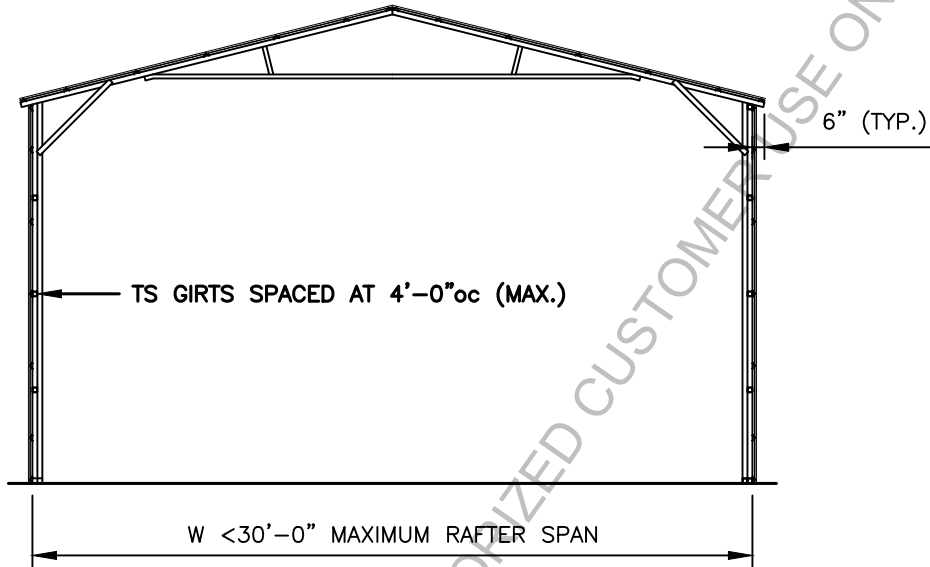
DRAWN BY:
BKS

PROJECT NO:
MISC

DATE:
2023.05.12

SHEET NO:
S15A

VERTICAL ROOF / SIDING OPTION

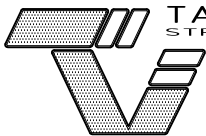


TYPICAL SECTION VERTICAL ROOF / SIDING OPTION

MAIN BUILDING COLUMNS TO BE DOUBLE COLUMNS FOR EAVE HEIGHTS <14'-1" TO <16'-0"

MAIN BUILDING COLUMNS TO BE SINGLE COLUMNS FOR EAVE HEIGHTS <14'-0"

FRONTLINE STEEL STRUCTURES AUTHORIZED CUSTOMER USE ONLY



TAYLOR & VIOLA
STRUCTURAL ENGINEERS

P.O.B. 2616 HICKORY NORTH CAROLINA
TELE: 828-328-6331 FAX: 828-322-1801
WWW.TAYLORVIOLA.COM

FRONTLINE STEEL
STRUCTURES, LLC
MT. AIRY, NORTH CAROLINA

DRAWN BY:
BKS

PROJECT NO:
MISC

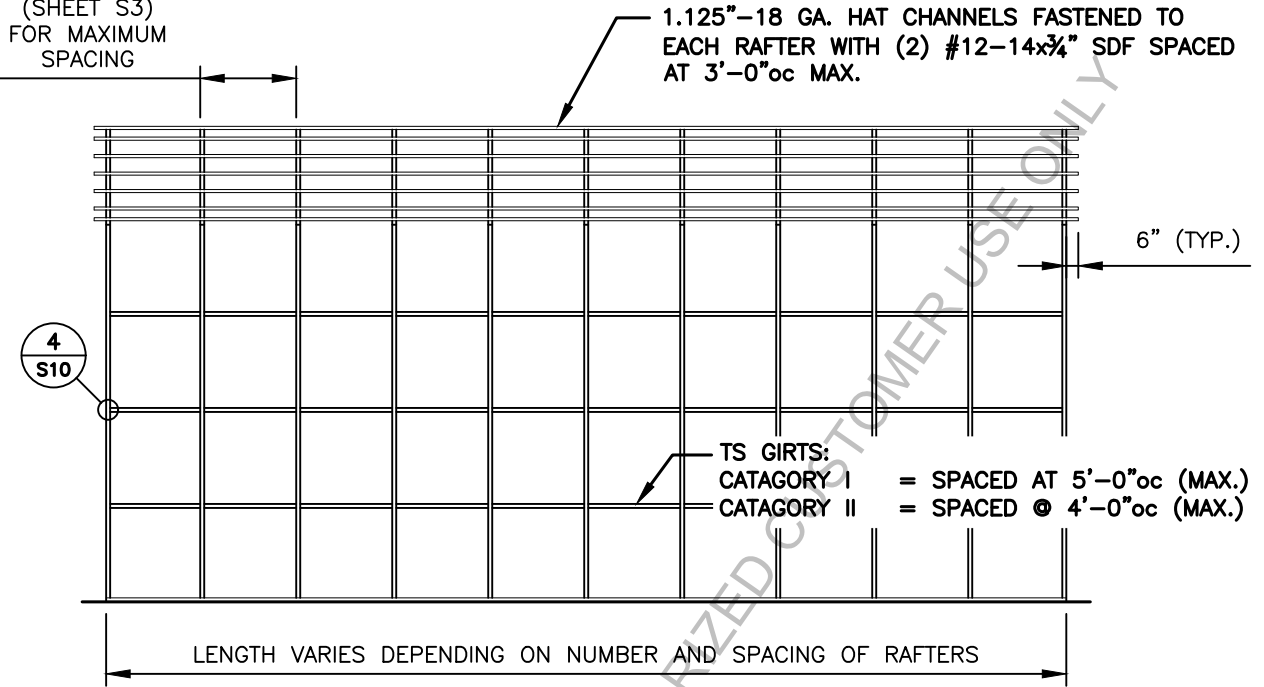
DATE:
2023.05.12

SHEET NO:
S16

NOTE: THESE DRAWINGS ARE VALID FOR (1) CALENDER YEAR AFTER THE ISSUE DATE LISTED ON THIS SHEET.

VERTICAL ROOF / SIDING OPTION

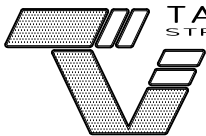
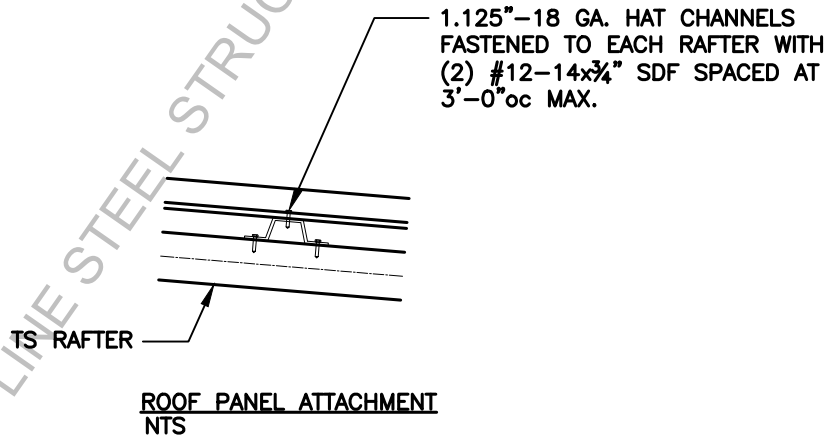
SEE NOTES
(SHEET S3)
FOR MAXIMUM
SPACING



TYPICAL SIDE FRAMING SECTION VERTICAL ROOF / SIDING OPTION

NOTE:

1.125"-18 GA. HAT CHANNELS CAN BE USED AS AN OPTION IN PLACE OF TUBE STEEL (TS) WALL GIRTS. HAT CHANNELS MUST BE SPACED AT 3'-0"oc MAX.



TAYLOR & VIOLA
STRUCTURAL ENGINEERS

P.O.B. 2616 HICKORY NORTH CAROLINA
TELE: 828-328-6331 FAX: 828-322-1801
WWW.TAYLORVIOLA.COM

FRONTLINE STEEL
STRUCTURES, LLC
MT. AIRY, NORTH CAROLINA

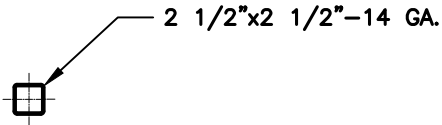
DRAWN BY:
BKS

PROJECT NO:
MISC

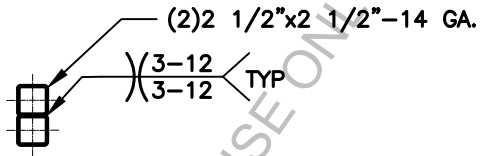
DATE:
2023.05.12

SHEET NO:
S16A

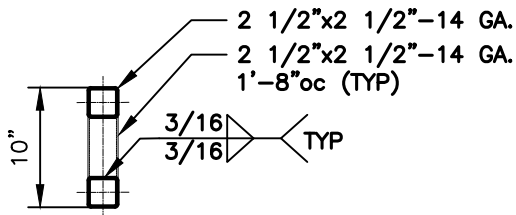
SIDE WALL HEADER OPTIONS



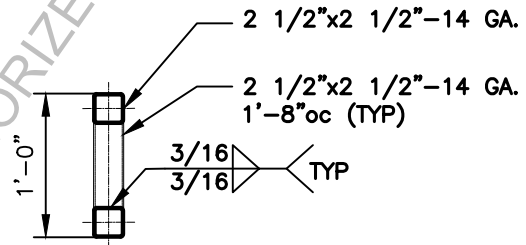
**HEADER DETAIL FOR DOOR
OPENINGS < 4'-0"**
NTS



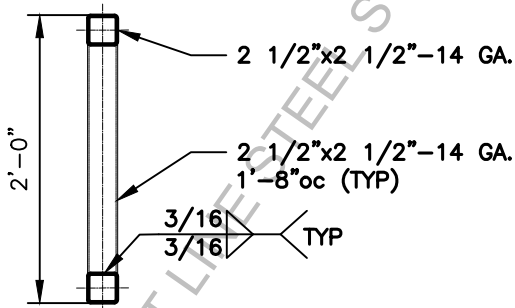
**DOUBLE HEADER DETAIL FOR DOOR
OPENINGS 4'-1" < TO < 9'-0"**
NTS



**LACED HEADER DETAIL FOR DOOR
OPENINGS 9'-1" < TO < 13'-0"**
NTS



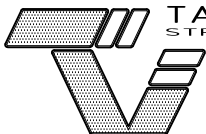
**LACED HEADER DETAIL FOR DOOR
OPENINGS 13'-1" < TO < 15'-0"**



**LACED HEADER DETAIL FOR DOOR
OPENINGS 15'-1" < TO < 20'-0"**

GENERAL NOTE:

PROVIDE DOUBLE WYTHE HEADER
ON DOUBLE COLUMNS AND LACED
COLUMNS



TAYLOR & VIOLA
STRUCTURAL ENGINEERS

P.O.B. 2616 HICKORY NORTH CAROLINA
TELE: 828-328-6331 FAX: 828-322-1801
WWW.TAYLORVIOLA.COM

FRONTLINE STEEL
STRUCTURES, LLC
MT. AIRY, NORTH CAROLINA

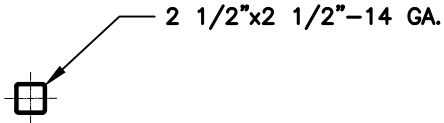
DRAWN BY:
BKS

PROJECT NO:
MISC

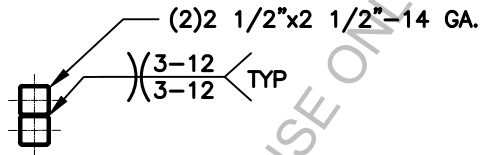
DATE:
2023.05.12

SHEET NO:
S17

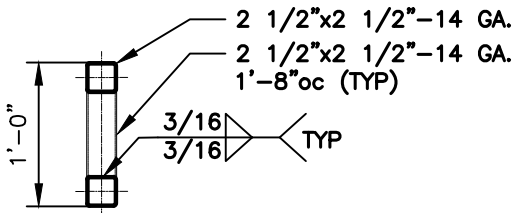
END WALL HEADER OPTIONS



HEADER DETAIL FOR DOOR
OPENINGS < 10'-0"
NTS



DOUBLE HEADER DETAIL FOR DOOR
OPENINGS 10'-1" < TO < 16'-0"
NTS



LACED HEADER DETAIL FOR DOOR
OPENINGS 16'-1" < TO < 20'-0"
NTS

GENERAL NOTE:

PROVIDE DOUBLE WYTHE HEADER
ON DOUBLE COLUMNS AND LACED
COLUMNS



TAYLOR & VIOLA
STRUCTURAL ENGINEERS

P.O.B. 2616 HICKORY NORTH CAROLINA
TELE: 828-328-6331 FAX: 828-322-1801
WWW.TAYLORVIOLA.COM

FRONTLINE STEEL
STRUCTURES, LLC
MT. AIRY, NORTH CAROLINA

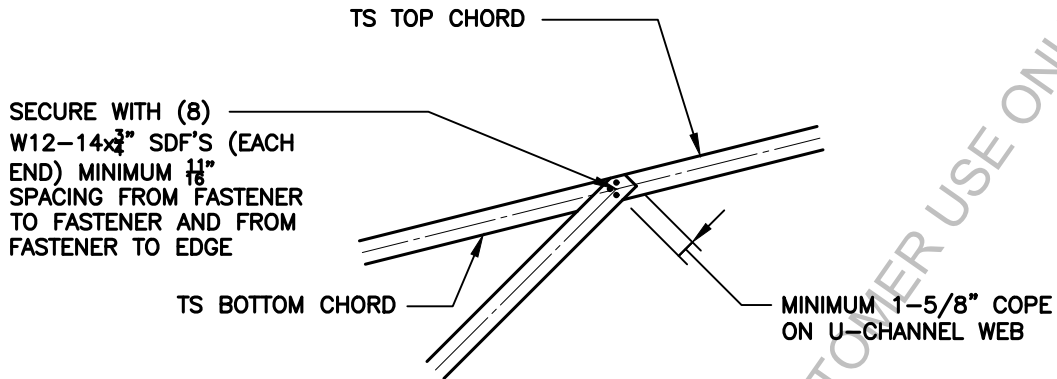
DRAWN BY:
BKS

PROJECT NO:
MISC

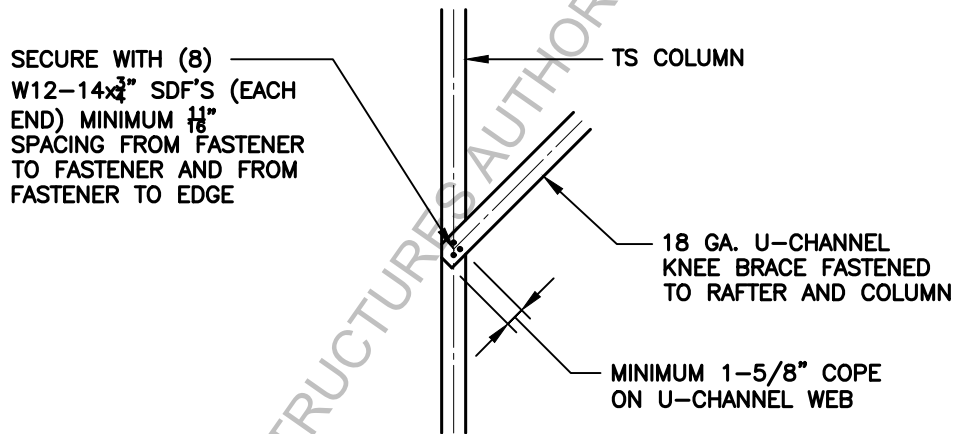
DATE:
2023.05.12

SHEET NO:
S17A

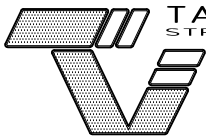
U-CHANNEL CONNECTION DETAILS



1
S18
U-CHANNEL TO RAFTER CONNECTION DETAIL
 SCALE: 3/4" = 1'-0"



2
S18
U-CHANNEL TO COLUMN CONNECTION DETAIL
 SCALE: 3/4" = 1'-0"



TAYLOR & VIOLA
STRUCTURAL ENGINEERS

P.O.B. 2616 HICKORY NORTH CAROLINA
TELE: 828-328-6331 FAX: 828-322-1801
WWW.TAYLORVIOLA.COM

FRONTLINE STEEL
STRUCTURES, LLC
MT. AIRY, NORTH CAROLINA

DRAWN BY:
BKS

PROJECT NO:
MISC

DATE:
2023.05.12

SHEET NO:
S18