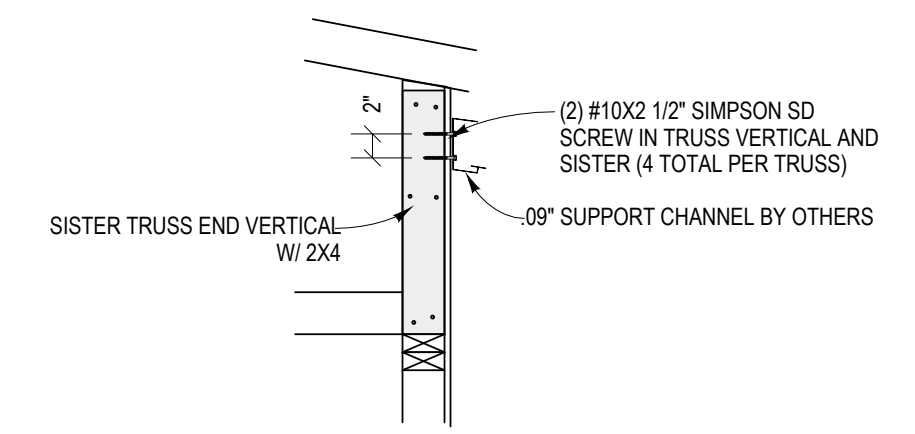
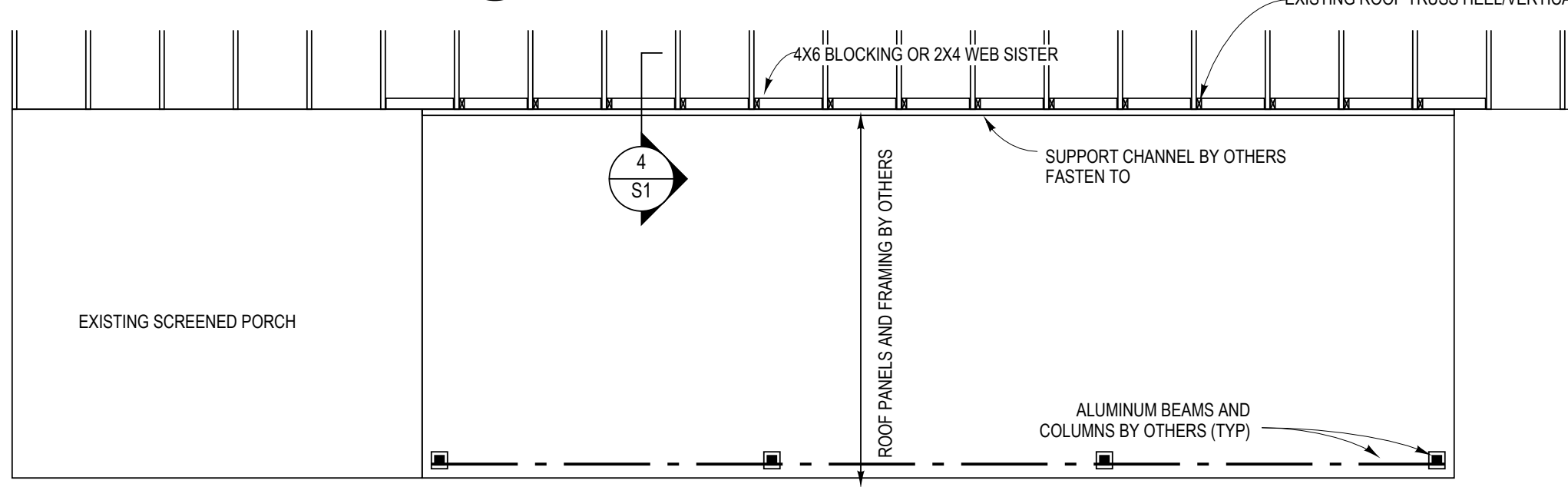
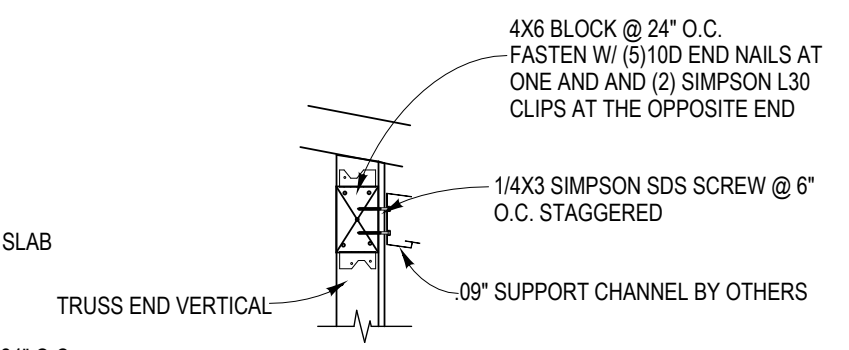


3 COLUMN CONNECTION (PLAN)
S1 SCALE: 3/4" = 1'-0"



ALTERNATE DETAIL

4 SECTION
S1 SCALE: 3/4" = 1'-0"

2 ROOF FRAMING LAYOUT AND CONNECTION TO HOUSE
S1 SCALE: 1/4" = 1'-0"



NOTES:
 SUNROOM FRAMING DESIGN BY OTHERS
 REFER TO THE NCSBC FOR DETAILS AND CONSTRUCTION NOT SPECIFICALLY SHOWN
 CONTRACTOR RESPONSIBLE FOR MEANS & METHODS OF CONSTRUCTION AND JOBSITE SAFETY
 VERIFY ALL DIMENSIONS. DO NOT SCALE DRAWING
 UNLESS PREVIOUSLY NEGOTIATED IN WRITING, THIS PROJECT DOES NOT INCLUDE JOBSITE OBSERVATION SERVICES
 THE SCOPE OF THIS PROJECT IS THIS FRAMING PLAN.