

Trenco
818 Soundside Rd
Edenton, NC 27932

Re: 23126108
BCTH-62

The truss drawing(s) referenced below have been prepared by Truss Engineering Co. under my direct supervision based on the parameters provided by The Building Center.

Pages or sheets covered by this seal: I62656977 thru I62656982

My license renewal date for the state of North Carolina is December 31, 2023.

North Carolina COA: C-0844



December 20, 2023

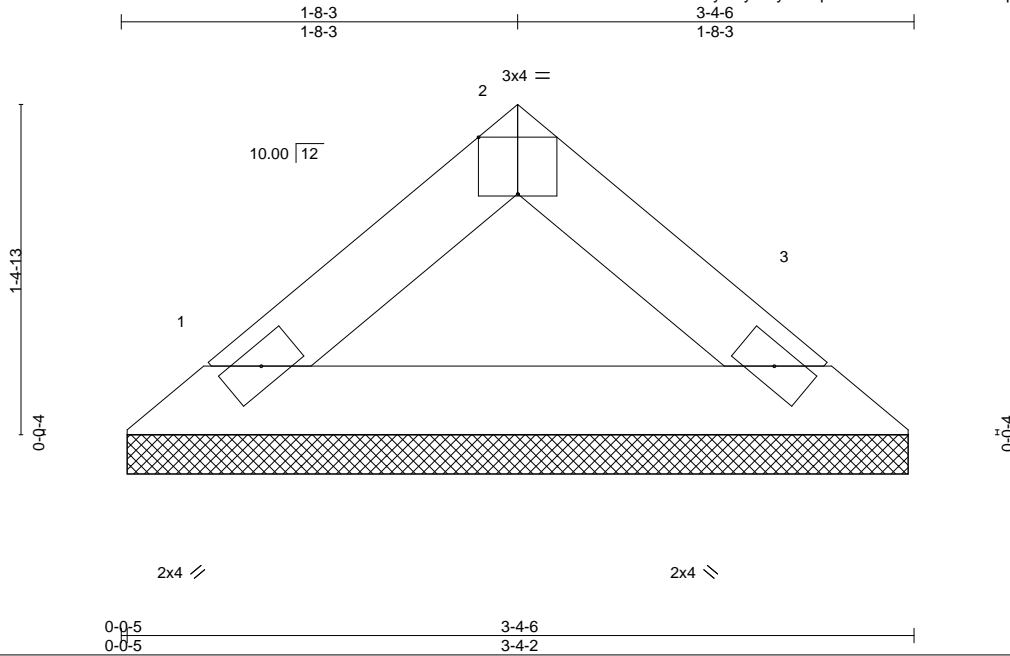
Gilbert, Eric

IMPORTANT NOTE: The seal on these truss component designs is a certification that the engineer named is licensed in the jurisdiction(s) identified and that the designs comply with ANSI/TPI 1. These designs are based upon parameters shown (e.g., loads, supports, dimensions, shapes and design codes), which were given to MiTek or TRENCO. Any project specific information included is for MiTek's or TRENCO's customers file reference purpose only, and was not taken into account in the preparation of these designs. MiTek or TRENCO has not independently verified the applicability of the design parameters or the designs for any particular building. Before use, the building designer should verify applicability of design parameters and properly incorporate these designs into the overall building design per ANSI/TPI 1, Chapter 2.

Job 23126108	Truss V1GE	Truss Type Valley	Qty 1	Ply 1	BCTH-62 Job Reference (optional)	162656977
-----------------	---------------	----------------------	----------	----------	-------------------------------------	-----------

The Building Center, Gastonia, NC - 28052,

8.730 s Dec 14 2023 MiTek Industries, Inc. Tue Dec 19 17:05:27 2023 Page 1
ID:WlYe?dzY3YhuL.GtsyuOyDRy7aYq-JLmSSn09ffE9x?lRGxdp9DoLziEj8JBVu_HyDdy7L16



Scale = 1:9.8

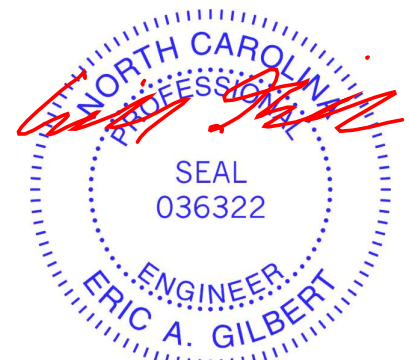
Plate Offsets (X,Y)-- [2:0-2-0,Edge]		2-0-0		3-4-6		3-4-2		3-4-2				
LOADING (psf)		SPACING-	2-0-0	CSI.		DEFL.	in (loc)	l/defl	L/d	PLATES	GRIP	
TCLL (roof)	20.0	Plate Grip DOL	1.15	TC	0.03	Vert(LL)	n/a	-	n/a	999	MT20	244/190
Snow (Pf/Pg)	15.4/20.0	Lumber DOL	1.15	BC	0.08	Vert(CT)	n/a	-	n/a	999		
TCDL	10.0	Rep Stress Incr	YES	WB	0.00	Horz(CT)	0.00	3	n/a	n/a		
BCLL	0.0 *	Code	IRC2015/TPI2014	Matrix-P							Weight: 10 lb	FT = 20%
BCDL	10.0											

LUMBER-		BRACING-	
TOP CHORD	2x4 SP No.2	TOP CHORD	Structural wood sheathing directly applied or 3-4-6 oc purlins.
BOT CHORD	2x4 SP No.2	BOT CHORD	Rigid ceiling directly applied or 10-0-0 oc bracing.

REACTIONS. (size) 1=3-3-13, 3=3-3-13
 Max Horz 1=19(LC 13)
 Max Uplift 1=-1(LC 14), 3=-1(LC 14)
 Max Grav 1=102(LC 2), 3=102(LC 2)

FORCES. (lb) - Max. Comp./Max. Ten. - All forces 250 (lb) or less except when shown.

- NOTES-**
- 1) Unbalanced roof live loads have been considered for this design.
 - 2) Wind: ASCE 7-10; Vult=120mph Vasd=95mph; TC DL=6.0psf; BCDL=6.0psf; h=25ft; B=45ft; L=24ft; eave=4ft; Cat. II; Exp B; Enclosed; MWFRS (directional) and C-C Exterior(2) zone; cantilever left and right exposed; end vertical left and right exposed; C-C for members and forces & MWFRS for reactions shown; Lumber DOL=1.60 plate grip DOL=1.60
 - 3) TCLL: ASCE 7-10; Pr=20.0 psf (roof live load; Lumber DOL=1.15 Plate DOL=1.15); Pg=20.0 psf (ground snow); Pf=15.4 psf (flat roof snow; Lumber DOL=1.15 Plate DOL=1.15); Category II; Exp B; Partially Exp.; Ct=1.10
 - 4) Gable requires continuous bottom chord bearing.
 - 5) This truss has been designed for a 10.0 psf bottom chord live load nonconcurrent with any other live loads.
 - 6) * This truss has been designed for a live load of 20.0psf on the bottom chord in all areas where a rectangle 3-6-0 tall by 2-0-0 wide will fit between the bottom chord and any other members.
 - 7) Provide mechanical connection (by others) of truss to bearing plate capable of withstanding 100 lb uplift at joint(s) 1, 3.



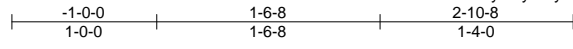
December 20, 2023

Job 23126108	Truss E1GE	Truss Type GABLE	Qty 2	Ply 1	BCTH-62 Job Reference (optional)	162656978
-----------------	---------------	---------------------	----------	----------	-------------------------------------	-----------

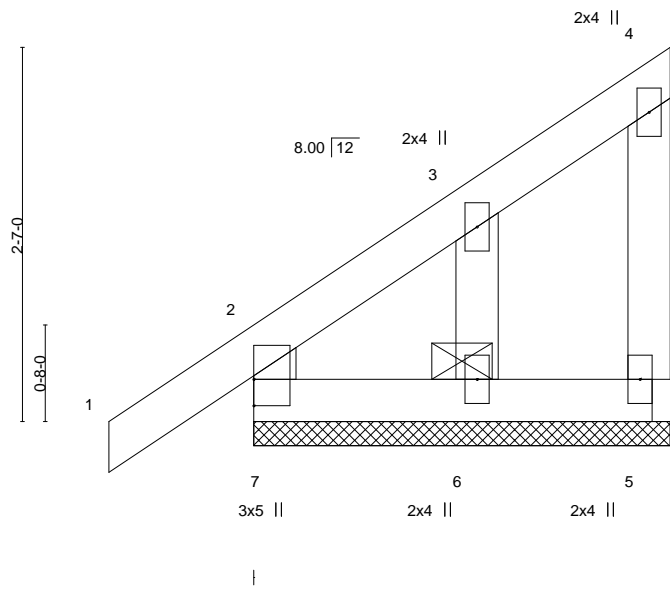
The Building Center, Gastonia, NC - 28052,

8.730 s Dec 14 2023 MiTek Industries, Inc. Tue Dec 19 17:05:26 2023 Page 1

ID:WYe?dzY3YhuL.GtsyuOyDRy7aYq-r9C3FR?XuL6LjrfiD6ad?F9DlvBPsbMfKXOgAy7L17



Scale: 3/4"=1'



LOADING (psf)	SPACING-	CSI.	DEFL.	PLATES	GRIP
TCLL (roof) 20.0	2-0-0	TC 0.09	in (loc) l/defl L/d	MT20	244/190
Snow (Pf/Pg) 15.4/20.0	Plate Grip DOL 1.15	BC 0.03	Vert(LL) 0.00 1 n/r 120		
TCDL 10.0	Lumber DOL 1.15	WB 0.02	Vert(CT) -0.00 1 n/r 120		
BCLL 0.0 *	Rep Stress Incr YES	Matrix-R	Horz(CT) 0.00 5 n/a n/a		
BCDL 10.0	Code IRC2015/TPI2014			Weight: 16 lb	FT = 20%

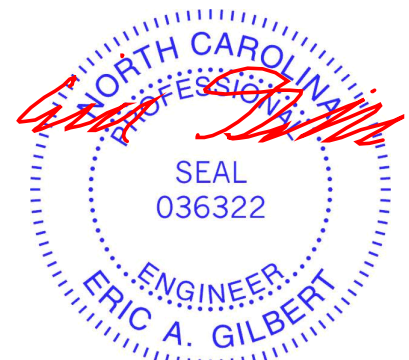
LUMBER-	BRACING-
TOP CHORD 2x4 SP No.2	TOP CHORD Structural wood sheathing directly applied or 2-10-8 oc purlins, except end verticals.
BOT CHORD 2x4 SP No.2	BOT CHORD 2-0-0 oc bracing.
WEBS 2x4 SP No.3	
OTHERS 2x4 SP No.3	

REACTIONS. (size) 7=2-10-8, 5=2-10-8, 6=2-10-8
 Max Horz 7=73(LC 11)
 Max Uplift 7=-25(LC 14), 5=-7(LC 11), 6=-21(LC 11)
 Max Grav 7=149(LC 2), 5=44(LC 24), 6=96(LC 24)

FORCES. (lb) - Max. Comp./Max. Ten. - All forces 250 (lb) or less except when shown.

NOTES-

- 1) Wind: ASCE 7-10; Vult=120mph Vasd=95mph; TCDL=6.0psf; BCDL=6.0psf; h=25ft; B=45ft; L=24ft; eave=2ft; Cat. II; Exp B; Enclosed; MWFRS (directional) and C-C Corner(3) -1-0-0 to 2-0-0, Exterior(2) 2-0-0 to 2-8-12 zone; cantilever left and right exposed; end vertical left and right exposed; C-C for members and forces & MWFRS for reactions shown; Lumber DOL=1.60 plate grip DOL=1.60
- 2) Truss designed for wind loads in the plane of the truss only. For studs exposed to wind (normal to the face), see Standard Industry Gable End Details as applicable, or consult qualified building designer as per ANSI/TPI 1.
- 3) TCLL: ASCE 7-10; Pr=20.0 psf (roof live load: Lumber DOL=1.15 Plate DOL=1.15); Pg=20.0 psf (ground snow); Pf=15.4 psf (flat roof snow: Lumber DOL=1.15 Plate DOL=1.15); Category II; Exp B; Partially Exp.; Ct=1.10
- 4) This truss has been designed for greater of min roof live load of 12.0 psf or 1.00 times flat roof load of 15.4 psf on overhangs non-concurrent with other live loads.
- 5) Gable requires continuous bottom chord bearing.
- 6) Gable studs spaced at 1-4-0 oc.
- 7) This truss has been designed for a 10.0 psf bottom chord live load nonconcurrent with any other live loads.
- 8) * This truss has been designed for a live load of 20.0psf on the bottom chord in all areas where a rectangle 3-6-0 tall by 2-0-0 wide will fit between the bottom chord and any other members.
- 9) Provide mechanical connection (by others) of truss to bearing plate capable of withstanding 100 lb uplift at joint(s) 7, 5, 6.



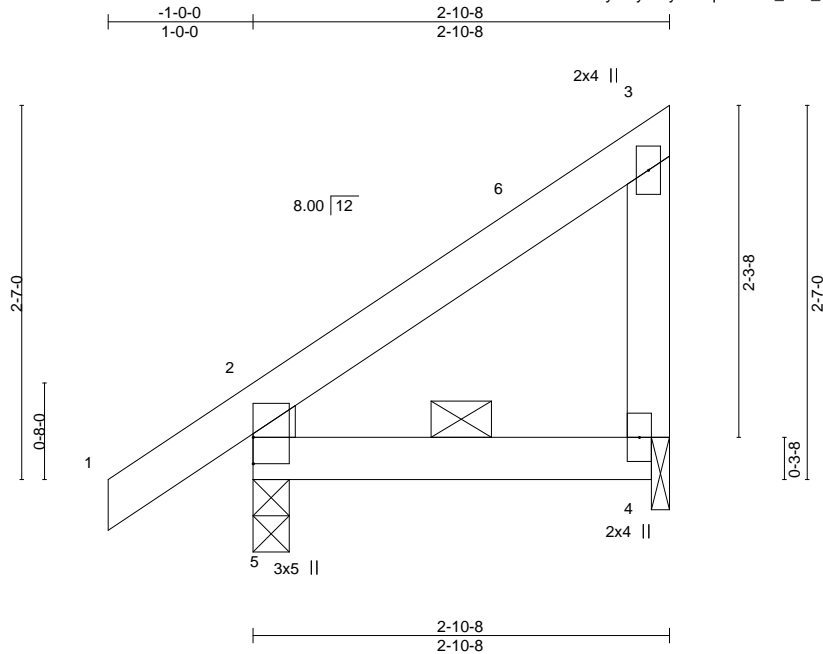
December 20, 2023

Job 23126108	Truss E1	Truss Type MONOPITCH	Qty 2	Ply 1	BCTH-62 Job Reference (optional)	162656979
-----------------	-------------	-------------------------	----------	----------	-------------------------------------	-----------

The Building Center, Gastonia, NC - 28052,

8.730 s Dec 14 2023 MiTek Industries, Inc. Tue Dec 19 17:05:25 2023 Page 1

ID:WIYe?dzY3YhuL.GtsyuOyDRy7aYq-NzfH16_v72_Rhh829WbL4oj_TuZagPiCQgor8ky7L18



Scale: 3/4"=1'

LOADING (psf)	SPACING-	CSI.	DEFL.	PLATES	GRIP
TCLL (roof) 20.0	2-0-0	TC 0.09	in (loc) l/defl L/d	MT20	244/190
Snow (Pf/Pg) 15.4/20.0	Plate Grip DOL 1.15	BC 0.06	Vert(LL) -0.00 4-5 >999 240		
TCDL 10.0	Lumber DOL 1.15	WB 0.00	Vert(CT) -0.00 4-5 >999 180		
BCLL 0.0 *	Rep Stress Incr YES	Matrix-R	Horz(CT) 0.00 4 n/a n/a		
BCDL 10.0	Code IRC2015/TPI2014			Weight: 15 lb	FT = 20%

LUMBER-
TOP CHORD 2x4 SP No.2
BOT CHORD 2x4 SP No.2
WEBS 2x4 SP No.3

BRACING-
TOP CHORD Structural wood sheathing directly applied or 2-10-8 oc purlins, except end verticals.
BOT CHORD 2-0-0 oc bracing.

REACTIONS. (size) 5=0-3-0, 4=0-1-8
Max Horz 5=73(LC 11)
Max Uplift 5=-31(LC 14), 4=-18(LC 11)
Max Grav 5=187(LC 2), 4=96(LC 24)

FORCES. (lb) - Max. Comp./Max. Ten. - All forces 250 (lb) or less except when shown.

NOTES-

- 1) Wind: ASCE 7-10; Vult=120mph Vasd=95mph; TCDL=6.0psf; BCDL=6.0psf; h=25ft; B=45ft; L=24ft; eave=4ft; Cat. II; Exp B; Enclosed; MWFRS (directional) and C-C Exterior(2) -1-0-0 to 2-0-0, Interior(1) 2-0-0 to 2-8-12 zone; cantilever left and right exposed; end vertical left and right exposed; C-C for members and forces & MWFRS for reactions shown; Lumber DOL=1.60 plate grip DOL=1.60
- 2) TCLL: ASCE 7-10; Pr=20.0 psf (roof live load; Lumber DOL=1.15 Plate DOL=1.15); Pg=20.0 psf (ground snow); Pf=15.4 psf (flat roof snow; Lumber DOL=1.15 Plate DOL=1.15); Category II; Exp B; Partially Exp.; Ct=1.10
- 3) This truss has been designed for greater of min roof live load of 12.0 psf or 1.00 times flat roof load of 15.4 psf on overhangs non-concurrent with other live loads.
- 4) This truss has been designed for a 10.0 psf bottom chord live load nonconcurrent with any other live loads.
- 5) * This truss has been designed for a live load of 20.0psf on the bottom chord in all areas where a rectangle 3-6-0 tall by 2-0-0 wide will fit between the bottom chord and any other members.
- 6) Bearing at joint(s) 4 considers parallel to grain value using ANSI/TPI 1 angle to grain formula. Building designer should verify capacity of bearing surface.
- 7) Provide mechanical connection (by others) of truss to bearing plate at joint(s) 4.
- 8) Provide mechanical connection (by others) of truss to bearing plate capable of withstanding 100 lb uplift at joint(s) 5, 4.



December 20, 2023

WARNING - Verify design parameters and READ NOTES ON THIS AND INCLUDED MITEK REFERENCE PAGE MII-7473 rev. 1/2/2023 BEFORE USE.

Design valid for use only with MiTek® connectors. This design is based only upon parameters shown, and is for an individual building component, not a truss system. Before use, the building designer must verify the applicability of design parameters and properly incorporate this design into the overall building design. Bracing indicated is to prevent buckling of individual truss web and/or chord members only. Additional temporary and permanent bracing is always required for stability and to prevent collapse with possible personal injury and property damage. For general guidance regarding the fabrication, storage, delivery, erection and bracing of trusses and truss systems, see **ANSI/TPI1 Quality Criteria and DSB-22** available from Truss Plate Institute (www.tpinst.org) and **BCSI Building Component Safety Information** available from the Structural Building Component Association (www.sbcacomponents.com)



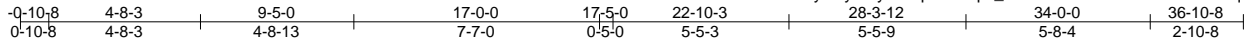
818 Soundside Road
Edenton, NC 27932

Job 23126108	Truss A2	Truss Type COMMON	Qty 7	Ply 1	BCTH-62	162656980
-----------------	-------------	----------------------	----------	----------	---------	-----------

The Building Center, Gastonia, NC - 28052,

8.730 s Dec 14 2023 MiTek Industries, Inc. Tue Dec 19 17:05:24 2023 Page 1

ID:WlYe?dzY3YhuLgtsyuOyDRy7aYq-um5Jqm_HMksa4YZsbo46XaAcuU0Xxnq3C02lclY7L19



4x4 =

Scale = 1:71.1

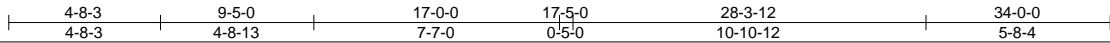
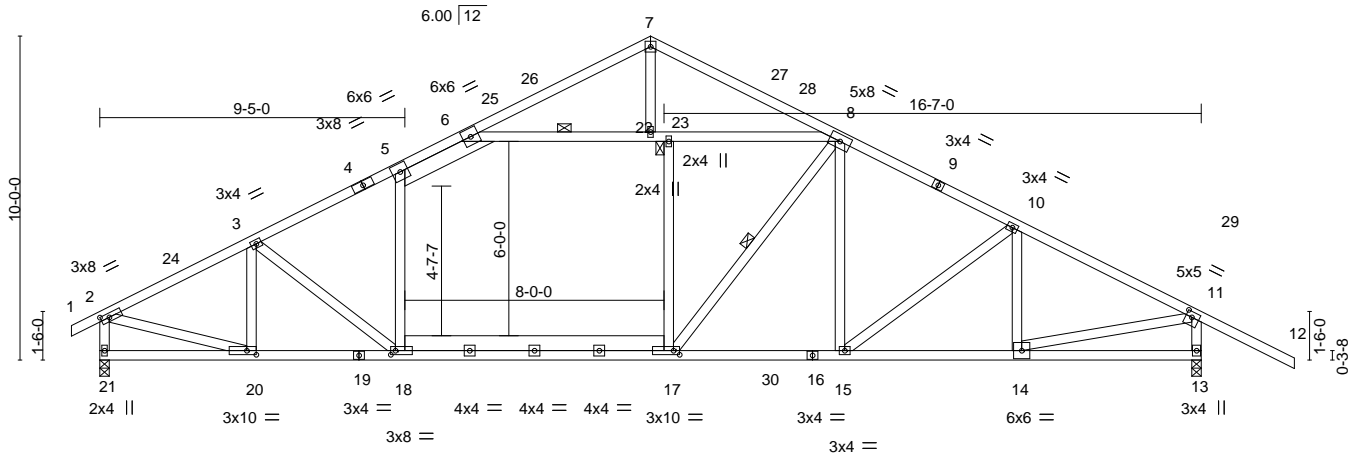


Plate Offsets (X,Y)-- [2:0-3-3,0-1-8], [11:0-2-4,0-2-0], [17:0-2-4,0-1-8], [18:0-1-12,0-1-8], [20:0-3-8,0-1-8]

LOADING (psf)	SPACING-	CSL	DEFL.	PLATES	GRIP
TCLL (roof) 20.0	Plate Grip DOL 1.15	TC 0.91	Vert(LL) -0.13 18 >999 240	MT20	244/190
Snow (Pf/Pg) 15.4/20.0	Lumber DOL 1.15	BC 0.88	Vert(CT) -0.30 17-18 >999 180		
TCDL 10.0	Rep Stress Incr NO	WB 0.74	Horz(CT) 0.05 13 n/a n/a		
BCLL 0.0 *	Code IRC2015/TPI2014	Matrix-S			
BCDL 10.0					

Weight: 246 lb FT = 20%

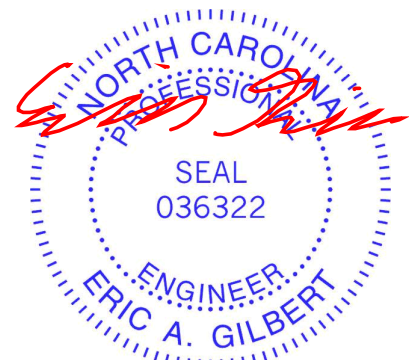
LUMBER-	BRACING-
TOP CHORD 2x4 SP No.1 *Except* 1-4,9-12: 2x4 SP No.2	TOP CHORD Structural wood sheathing directly applied or 2-4-4 oc purlins, except end verticals.
BOT CHORD 2x4 SP No.2 *Except* 17-18: 2x6 SP No.1	BOT CHORD Rigid ceiling directly applied or 10-0-0 oc bracing, Except: 6-0-0 oc bracing: 13-14.
WEBS 2x4 SP No.3 *Except* 5-18,17-22,6-8: 2x4 SP No.2, 5-6: 2x6 SP No.1	WEBS 1 Row at midpt 6-22, 8-17
	JOINTS 1 Brace at Jt(s): 22

REACTIONS. (size) 21=0-3-8, 13=0-3-8
Max Horz 21=187(LC 14)
Max Grav 21=1602(LC 28), 13=1665(LC 2)

FORCES. (lb) - Max. Comp./Max. Ten. - All forces 250 (lb) or less except when shown.
TOP CHORD 2-3=-2082/0, 3-5=-2157/0, 5-6=-1928/0, 6-7=-846/0, 7-8=-836/0, 8-10=-2007/0,
10-11=-2007/0, 2-21=-1556/0, 11-13=-1611/103
BOT CHORD 18-20=0/1939, 17-18=0/1945, 15-17=0/1760, 14-15=0/1733
WEBS 5-18=0/322, 17-22=90/467, 6-23=-1419/31, 22-23=-1419/31, 8-22=-1419/31,
7-23=-66/471, 8-17=-230/449, 10-14=-279/46, 11-14=0/1757, 3-20=-395/0, 2-20=0/1815

- NOTES-**
- Unbalanced roof live loads have been considered for this design.
 - Wind: ASCE 7-10; Vult=120mph Vasd=95mph; TCDL=6.0psf; BCDL=6.0psf; h=25ft; B=45ft; L=34ft; eave=4ft; Cat. II; Exp B; Enclosed; MWFRS (directional) and C-C Exterior(2) -0-10-8 to 2-6-5, Interior(1) 2-6-5 to 17-0-0, Exterior(2) 17-0-0 to 20-4-13, Interior(1) 20-4-13 to 36-10-8 zone; cantilever left and right exposed ; end vertical left and right exposed;C-C for members and forces & MWFRS for reactions shown; Lumber DOL=1.60 plate grip DOL=1.60
 - TCLL: ASCE 7-10; Pr=20.0 psf (roof live load: Lumber DOL=1.15 Plate DOL=1.15); Pg=20.0 psf (ground snow); Pf=15.4 psf (flat roof snow: Lumber DOL=1.15 Plate DOL=1.15); Category II; Exp B; Partially Exp.; Ct=1.10
 - Unbalanced snow loads have been considered for this design.
 - This truss has been designed for greater of min roof live load of 12.0 psf or 1.00 times flat roof load of 15.4 psf on overhangs non-concurrent with other live loads.
 - This truss has been designed for a 10.0 psf bottom chord live load nonconcurrent with any other live loads.
 - * This truss has been designed for a live load of 20.0psf on the bottom chord in all areas where a rectangle 3-6-0 tall by 2-0-0 wide will fit between the bottom chord and any other members, with BCDL = 10.0psf.
 - Load case(s) 1, 2, 3, 4, 5, 6, 7, 8, 9, 10, 11, 12, 13, 14, 15, 16, 17, 18, 19, 20, 21, 22, 23, 24, 25, 26, 27, 28, 29, 30, 31, 32, 33, 34, 35 has/have been modified. Building designer must review loads to verify that they are correct for the intended use of this truss.

LOAD CASE(S) Standard
1) Dead + Snow (balanced): Lumber Increase=1.15, Plate Increase=1.15
Uniform Loads (plf)
Vert: 1-2=-51, 2-5=-51, 5-7=-61, 7-8=-61, 8-11=-51, 11-12=-51, 18-21=-20, 17-18=-40, 13-17=-20



December 20, 2023

Continued on page 2

WARNING - Verify design parameters and READ NOTES ON THIS AND INCLUDED MITEK REFERENCE PAGE MII-7473 rev. 1/2/2023 BEFORE USE.

Design valid for use only with MiTek® connectors. This design is based only upon parameters shown, and is for an individual building component, not a truss system. Before use, the building designer must verify the applicability of design parameters and properly incorporate this design into the overall building design. Bracing indicated is to prevent buckling of individual truss web and/or chord members only. Additional temporary and permanent bracing is always required for stability and to prevent collapse with possible personal injury and property damage. For general guidance regarding the fabrication, storage, delivery, erection and bracing of trusses and truss systems, see **ANSI/TPH Quality Criteria and DSB-22** available from Truss Plate Institute (www.tpinst.org) and **BCSI Building Component Safety Information** available from the Structural Building Component Association (www.sbcacomponents.com)

818 Soundside Road
Edenton, NC 27932

Job	Truss	Truss Type	Qty	Ply	BCTH-62	162656980
23126108	A2	COMMON	7	1	Job Reference (optional)	

The Building Center, Gastonia, NC - 28052,

8.730 s Dec 14 2023 MiTek Industries, Inc. Tue Dec 19 17:05:24 2023 Page 2

ID:WIYe?dzY3YhuLgtsyuOyDRy7aYq-um5Jqm_HMksa4YZsbo46XaAcuU0Xxnq3C02lclY7L19

LOAD CASE(S) Standard

- 2) Dead + Roof Live (balanced): Lumber Increase=1.15, Plate Increase=1.15
Uniform Loads (plf)
Vert: 1-2=-60, 2-5=-60, 5-7=-70, 7-8=-70, 8-11=-60, 11-12=-60, 18-21=-20, 17-18=-40, 13-17=-20
- 3) Dead + 0.75 Roof Live (balanced) + 0.75 Uninhab. Attic Storage: Lumber Increase=1.15, Plate Increase=1.15
Uniform Loads (plf)
Vert: 1-2=-50, 2-5=-50, 5-7=-60, 7-8=-60, 8-11=-50, 11-12=-50, 18-21=-20, 17-18=-70, 17-30=-20, 15-30=-50, 13-15=-20
- 4) Dead + 0.75 Snow (balanced) + 0.75 Uninhab. Attic Storage: Lumber Increase=1.15, Plate Increase=1.15
Uniform Loads (plf)
Vert: 1-2=-43, 2-5=-43, 5-7=-53, 7-8=-53, 8-11=-43, 11-12=-43, 18-21=-20, 17-18=-70, 17-30=-20, 15-30=-50, 13-15=-20
- 5) Dead + 0.75 Snow (Unbal. Left) + 0.75 Uninhab. Attic Storage: Lumber Increase=1.15, Plate Increase=1.15
Uniform Loads (plf)
Vert: 1-2=-43, 2-5=-43, 5-25=-53, 7-25=-75, 7-8=-37, 8-11=-27, 11-12=-27, 18-21=-20, 17-18=-70, 17-30=-20, 15-30=-50, 13-15=-20
- 6) Dead + 0.75 Snow (Unbal. Right) + 0.75 Uninhab. Attic Storage: Lumber Increase=1.15, Plate Increase=1.15
Uniform Loads (plf)
Vert: 1-2=-27, 2-5=-27, 5-7=-37, 7-28=-73, 8-28=-53, 8-11=-43, 11-12=-43, 18-21=-20, 17-18=-70, 17-30=-20, 15-30=-50, 13-15=-20
- 7) Dead + Uninhabitable Attic Without Storage: Lumber Increase=1.25, Plate Increase=1.25
Uniform Loads (plf)
Vert: 1-2=-20, 2-5=-20, 5-7=-30, 7-8=-30, 8-11=-20, 11-12=-20, 18-21=-40, 17-18=-60, 13-17=-40
- 8) Dead + 0.6 C-C Wind (Pos. Internal) Case 1: Lumber Increase=1.60, Plate Increase=1.60
Uniform Loads (plf)
Vert: 1-2=46, 2-24=24, 5-24=14, 5-7=4, 7-27=14, 8-27=4, 8-11=14, 11-12=9, 18-21=-12, 17-18=-32, 13-17=-12
Horz: 1-2=-58, 2-24=-36, 7-24=-26, 7-27=36, 11-27=26, 11-12=21, 2-21=14, 11-13=26
- 9) Dead + 0.6 C-C Wind (Pos. Internal) Case 2: Lumber Increase=1.60, Plate Increase=1.60
Uniform Loads (plf)
Vert: 1-2=9, 2-5=14, 5-26=4, 7-26=14, 7-8=4, 8-29=14, 11-29=24, 11-12=46, 18-21=-12, 17-18=-32, 13-17=-12
Horz: 1-2=-21, 2-26=-26, 7-26=-36, 7-29=26, 11-29=36, 11-12=58, 2-21=-26, 11-13=-14
- 10) Dead + 0.6 C-C Wind (Neg. Internal) Case 1: Lumber Increase=1.60, Plate Increase=1.60
Uniform Loads (plf)
Vert: 1-2=-12, 2-5=-33, 5-7=-43, 7-8=-43, 8-11=-33, 11-12=-28, 18-21=-20, 17-18=-40, 13-17=-20
Horz: 1-2=-8, 2-7=13, 7-11=-13, 11-12=-8, 2-21=17, 11-13=-24
- 11) Dead + 0.6 C-C Wind (Neg. Internal) Case 2: Lumber Increase=1.60, Plate Increase=1.60
Uniform Loads (plf)
Vert: 1-2=-28, 2-5=-33, 5-7=-43, 7-8=-43, 8-11=-33, 11-12=-12, 18-21=-20, 17-18=-40, 13-17=-20
Horz: 1-2=8, 2-7=13, 7-11=-13, 11-12=8, 2-21=24, 11-13=17
- 12) Dead + 0.6 MWFRS Wind (Pos. Internal) Left: Lumber Increase=1.60, Plate Increase=1.60
Uniform Loads (plf)
Vert: 1-2=12, 2-5=-0, 5-7=-10, 7-8=-5, 8-11=5, 11-12=1, 18-21=-12, 17-18=-32, 13-17=-12
Horz: 1-2=-24, 2-7=-12, 7-11=17, 11-12=13, 2-21=13, 11-13=15
- 13) Dead + 0.6 MWFRS Wind (Pos. Internal) Right: Lumber Increase=1.60, Plate Increase=1.60
Uniform Loads (plf)
Vert: 1-2=1, 2-5=5, 5-7=-5, 7-8=-10, 8-11=-0, 11-12=12, 18-21=-12, 17-18=-32, 13-17=-12
Horz: 1-2=-13, 2-7=-17, 7-11=12, 11-12=24, 2-21=15, 11-13=-13
- 14) Dead + 0.6 MWFRS Wind (Neg. Internal) Left: Lumber Increase=1.60, Plate Increase=1.60
Uniform Loads (plf)
Vert: 1-2=-23, 2-5=-27, 5-7=-37, 7-8=-22, 8-11=-12, 11-12=-7, 18-21=-20, 17-18=-40, 13-17=-20
Horz: 1-2=3, 2-7=7, 7-11=8, 11-12=13, 2-21=22, 11-13=6
- 15) Dead + 0.6 MWFRS Wind (Neg. Internal) Right: Lumber Increase=1.60, Plate Increase=1.60
Uniform Loads (plf)
Vert: 1-2=-7, 2-5=-12, 5-7=-22, 7-8=-37, 8-11=-27, 11-12=-23, 18-21=-20, 17-18=-40, 13-17=-20
Horz: 1-2=-13, 2-7=-8, 7-11=7, 11-12=-3, 2-21=-6, 11-13=-22
- 16) Dead + 0.6 MWFRS Wind (Pos. Internal) 1st Parallel: Lumber Increase=1.60, Plate Increase=1.60
Uniform Loads (plf)
Vert: 1-2=25, 2-5=13, 5-7=3, 7-8=3, 8-11=13, 11-12=25, 18-21=-12, 17-18=-32, 13-17=-12
Horz: 1-2=-37, 2-7=-25, 7-11=25, 11-12=37, 2-21=19, 11-13=19
- 17) Dead + 0.6 MWFRS Wind (Pos. Internal) 2nd Parallel: Lumber Increase=1.60, Plate Increase=1.60
Uniform Loads (plf)
Vert: 1-2=16, 2-5=4, 5-7=-6, 7-8=-6, 8-11=4, 11-12=16, 18-21=-12, 17-18=-32, 13-17=-12
Horz: 1-2=-28, 2-7=-16, 7-11=16, 11-12=28, 2-21=19, 11-13=19
- 18) Dead + 0.6 MWFRS Wind (Neg. Internal) 1st Parallel: Lumber Increase=1.60, Plate Increase=1.60
Uniform Loads (plf)
Vert: 1-2=-16, 2-5=-21, 5-7=-31, 7-8=-31, 8-11=-21, 11-12=-16, 18-21=-20, 17-18=-40, 13-17=-20
Horz: 1-2=4, 2-7=1, 7-11=-1, 11-12=4, 2-21=-10, 11-13=10
- 19) Dead + 0.6 MWFRS Wind (Neg. Internal) 2nd Parallel: Lumber Increase=1.60, Plate Increase=1.60
Uniform Loads (plf)
Vert: 1-2=-16, 2-5=-21, 5-7=-31, 7-8=-31, 8-11=-21, 11-12=-16, 18-21=-20, 17-18=-40, 13-17=-20
Horz: 1-2=4, 2-7=1, 7-11=-1, 11-12=4, 2-21=-10, 11-13=10
- 20) Dead + Snow on Overhangs: Lumber Increase=1.15, Plate Increase=1.15
Uniform Loads (plf)
Vert: 1-2=-51, 2-5=-20, 5-7=-30, 7-8=-30, 8-11=-20, 11-12=-51, 18-21=-20, 17-18=-40, 13-17=-20
- 21) Dead + Snow (Unbal. Left): Lumber Increase=1.15, Plate Increase=1.15
Uniform Loads (plf)
Vert: 1-2=-51, 2-5=-51, 5-25=-61, 7-25=-90, 7-8=-39, 8-11=-29, 11-12=-29, 18-21=-20, 17-18=-40, 13-17=-20
- 22) Dead + Snow (Unbal. Right): Lumber Increase=1.15, Plate Increase=1.15
Uniform Loads (plf)
Vert: 1-2=-29, 2-5=-29, 5-7=-39, 7-28=-87, 8-28=-61, 8-11=-51, 11-12=-51, 18-21=-20, 17-18=-40, 13-17=-20

Continued on page 3

WARNING - Verify design parameters and READ NOTES ON THIS AND INCLUDED MITEK REFERENCE PAGE MII-7473 rev. 1/2/2023 BEFORE USE.

Design valid for use only with MiTek® connectors. This design is based only upon parameters shown, and is for an individual building component, not a truss system. Before use, the building designer must verify the applicability of design parameters and properly incorporate this design into the overall building design. Bracing indicated is to prevent buckling of individual truss web and/or chord members only. Additional temporary and permanent bracing is always required for stability and to prevent collapse with possible personal injury and property damage. For general guidance regarding the fabrication, storage, delivery, erection and bracing of trusses and truss systems, see **ANSI/TPH Quality Criteria and DSB-22** available from Truss Plate Institute (www.tpinst.org) and **BCSI Building Component Safety Information** available from the Structural Building Component Association (www.sbcacomponents.com)



818 Soundside Road
Edenton, NC 27932

Job	Truss	Truss Type	Qty	Ply	BCTH-62	162656980
23126108	A2	COMMON	7	1	Job Reference (optional)	

The Building Center, Gastonia, NC - 28052,

8.730 s Dec 14 2023 MiTek Industries, Inc. Tue Dec 19 17:05:24 2023 Page 3
ID:WIYe?dzY3YhuLgtsyuOyDRy7aYq-um5Jqm_HMksa4YZsbo46XaAcuU0Xxnq3C02lclY7L19

LOAD CASE(S) Standard

- 23) Dead + Uninhabitable Attic Storage: Lumber Increase=1.25, Plate Increase=1.25
Uniform Loads (plf)
Vert: 1-2=-20, 2-5=-20, 5-7=-30, 7-8=-30, 8-11=-20, 11-12=-20, 18-21=-20, 17-18=-80, 17-30=-20, 15-30=-60, 13-15=-20
- 24) Dead + 0.75 Snow (bal.) + 0.75 Uninhab. Attic Storage + 0.75(0.6 MWFRS Wind (Neg. Int) Left): Lumber Increase=1.60, Plate Increase=1.60
Uniform Loads (plf)
Vert: 1-2=-45, 2-5=-49, 5-7=-59, 7-8=-47, 8-11=-37, 11-12=-34, 18-21=-20, 17-18=-70, 17-30=-20, 15-30=-50, 13-15=-20
Horz: 1-2=2, 2-7=6, 7-11=6, 11-12=10, 2-21=16, 11-13=5
- 25) Dead + 0.75 Snow (bal.) + 0.75 Uninhab. Attic Storage + 0.75(0.6 MWFRS Wind (Neg. Int) Right): Lumber Increase=1.60, Plate Increase=1.60
Uniform Loads (plf)
Vert: 1-2=-34, 2-5=-37, 5-7=-47, 7-8=-59, 8-11=-49, 11-12=-45, 18-21=-20, 17-18=-70, 17-30=-20, 15-30=-50, 13-15=-20
Horz: 1-2=-10, 2-7=-6, 7-11=-6, 11-12=-2, 2-21=-5, 11-13=16
- 26) Dead + 0.75 Snow (bal.) + 0.75 Uninhab. Attic Storage + 0.75(0.6 MWFRS Wind (Neg. Int) 1st Parallel): Lumber Increase=1.60, Plate Increase=1.60
Uniform Loads (plf)
Vert: 1-2=-40, 2-5=-44, 5-7=-54, 7-8=-54, 8-11=-44, 11-12=-40, 18-21=-20, 17-18=-70, 17-30=-20, 15-30=-50, 13-15=-20
Horz: 1-2=-3, 2-7=1, 7-11=-1, 11-12=3, 2-21=-8, 11-13=8
- 27) Dead + 0.75 Snow (bal.) + 0.75 Uninhab. Attic Storage + 0.75(0.6 MWFRS Wind (Neg. Int) 2nd Parallel): Lumber Increase=1.60, Plate Increase=1.60
Uniform Loads (plf)
Vert: 1-2=-40, 2-5=-44, 5-7=-54, 7-8=-54, 8-11=-44, 11-12=-40, 18-21=-20, 17-18=-70, 17-30=-20, 15-30=-50, 13-15=-20
Horz: 1-2=-3, 2-7=1, 7-11=-1, 11-12=3, 2-21=-8, 11-13=8
- 28) Dead + 0.75 Roof Live (bal.) + 0.75 Uninhab. Attic Storage + 0.75(0.6 MWFRS Wind (Neg. Int) Left): Lumber Increase=1.60, Plate Increase=1.60
Uniform Loads (plf)
Vert: 1-2=-52, 2-5=-56, 5-7=-66, 7-8=-54, 8-11=-44, 11-12=-40, 18-21=-20, 17-18=-70, 17-30=-20, 15-30=-50, 13-15=-20
Horz: 1-2=2, 2-7=6, 7-11=6, 11-12=10, 2-21=16, 11-13=5
- 29) Dead + 0.75 Roof Live (bal.) + 0.75 Uninhab. Attic Storage + 0.75(0.6 MWFRS Wind (Neg. Int) Right): Lumber Increase=1.60, Plate Increase=1.60
Uniform Loads (plf)
Vert: 1-2=-40, 2-5=-44, 5-7=-54, 7-8=-66, 8-11=-56, 11-12=-52, 18-21=-20, 17-18=-70, 17-30=-20, 15-30=-50, 13-15=-20
Horz: 1-2=-10, 2-7=-6, 7-11=-6, 11-12=-2, 2-21=-5, 11-13=16
- 30) Dead + 0.75 Roof Live (bal.) + 0.75 Uninhab. Attic Storage + 0.75(0.6 MWFRS Wind (Neg. Int) 1st Parallel): Lumber Increase=1.60, Plate Increase=1.60
Uniform Loads (plf)
Vert: 1-2=-47, 2-5=-51, 5-7=-61, 7-8=-61, 8-11=-51, 11-12=-47, 18-21=-20, 17-18=-70, 17-30=-20, 15-30=-50, 13-15=-20
Horz: 1-2=-3, 2-7=1, 7-11=-1, 11-12=3, 2-21=-8, 11-13=8
- 31) Dead + 0.75 Roof Live (bal.) + 0.75 Uninhab. Attic Storage + 0.75(0.6 MWFRS Wind (Neg. Int) 2nd Parallel): Lumber Increase=1.60, Plate Increase=1.60
Uniform Loads (plf)
Vert: 1-2=-47, 2-5=-51, 5-7=-61, 7-8=-61, 8-11=-51, 11-12=-47, 18-21=-20, 17-18=-70, 17-30=-20, 15-30=-50, 13-15=-20
Horz: 1-2=-3, 2-7=1, 7-11=-1, 11-12=3, 2-21=-8, 11-13=8
- 32) 1st Dead + Roof Live (unbalanced): Lumber Increase=1.15, Plate Increase=1.15
Uniform Loads (plf)
Vert: 1-2=-60, 2-5=-60, 5-7=-70, 7-8=-30, 8-11=-20, 11-12=-20, 18-21=-20, 17-18=-40, 13-17=-20
- 33) 2nd Dead + Roof Live (unbalanced): Lumber Increase=1.15, Plate Increase=1.15
Uniform Loads (plf)
Vert: 1-2=-20, 2-5=-20, 5-7=-30, 7-8=-70, 8-11=-60, 11-12=-60, 18-21=-20, 17-18=-40, 13-17=-20
- 34) 3rd Dead + 0.75 Roof Live (unbalanced) + 0.75 Uninhab. Attic Storage: Lumber Increase=1.15, Plate Increase=1.15
Uniform Loads (plf)
Vert: 1-2=-50, 2-5=-50, 5-7=-60, 7-8=-30, 8-11=-20, 11-12=-20, 18-21=-20, 17-18=-70, 17-30=-20, 15-30=-50, 13-15=-20
- 35) 4th Dead + 0.75 Roof Live (unbalanced) + 0.75 Uninhab. Attic Storage: Lumber Increase=1.15, Plate Increase=1.15
Uniform Loads (plf)
Vert: 1-2=-20, 2-5=-20, 5-7=-30, 7-8=-60, 8-11=-50, 11-12=-50, 18-21=-20, 17-18=-70, 17-30=-20, 15-30=-50, 13-15=-20

WARNING - Verify design parameters and READ NOTES ON THIS AND INCLUDED MITEK REFERENCE PAGE MII-7473 rev. 1/2/2023 BEFORE USE.

Design valid for use only with MiTek® connectors. This design is based only upon parameters shown, and is for an individual building component, not a truss system. Before use, the building designer must verify the applicability of design parameters and properly incorporate this design into the overall building design. Bracing indicated is to prevent buckling of individual truss web and/or chord members only. Additional temporary and permanent bracing is always required for stability and to prevent collapse with possible personal injury and property damage. For general guidance regarding the fabrication, storage, delivery, erection and bracing of trusses and truss systems, see **ANSI/TPH Quality Criteria and DSB-22** available from Truss Plate Institute (www.tpinst.org) and **BCSI Building Component Safety Information** available from the Structural Building Component Association (www.sbcacomponents.com)



818 Soundside Road
Edenton, NC 27932

Job 23126108	Truss A1GE	Truss Type GABLE	Qty 2	Ply 1	BCTH-62	162656981
-----------------	---------------	---------------------	----------	----------	---------	-----------

The Building Center, Gastonia, NC - 28052,

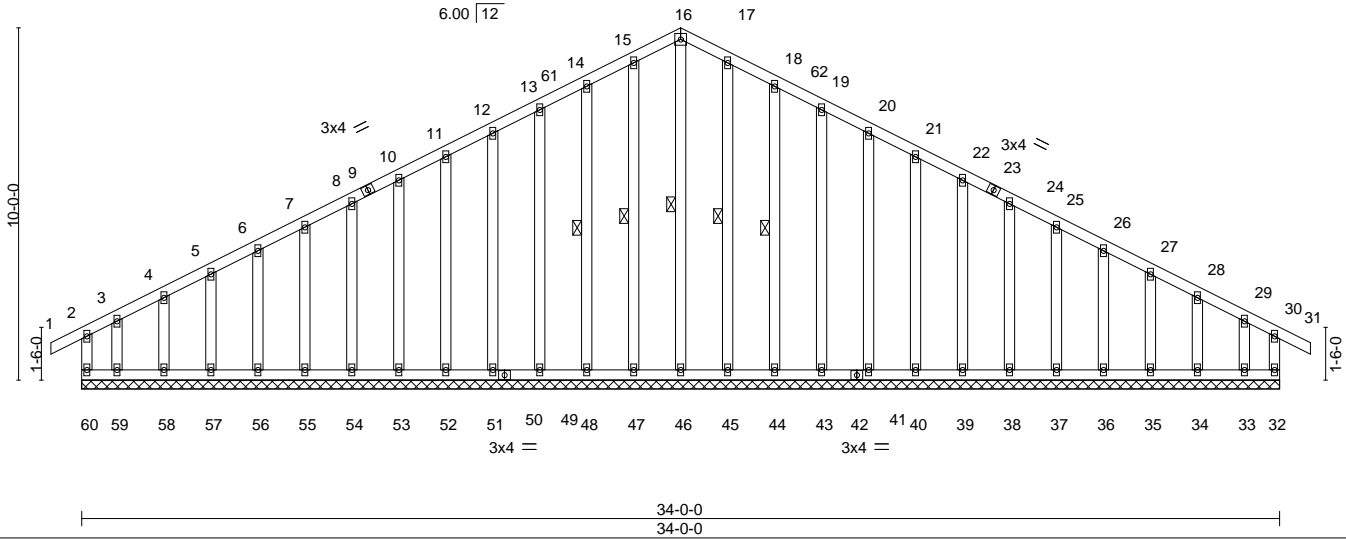
8.730 s Dec 14 2023 MiTek Industries, Inc. Tue Dec 19 17:05:22 2023 Page 1

ID:WYe?dzY3YhuLGtsyuOyDRy7aYq-yOzZP4y1q7csqEPTT01eS95S_hWGT1MmkizBXPy7L1B

-0-10-8 15-8-0 17-0-0 18-4-0 34-0-0 34-10-8
 0-10-8 15-8-0 1-4-0 1-4-0 15-8-0 0-10-8

4x4 =

Scale = 1:65.4



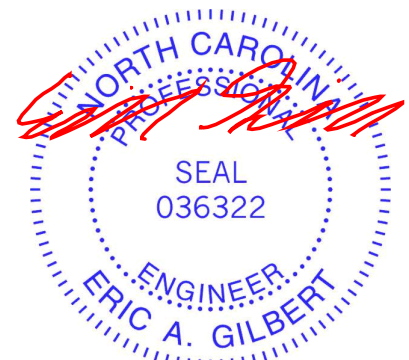
LOADING (psf)	SPACING-	CSI.	DEFL.	PLATES	GRIP
TCLL (roof) 20.0	2-0-0	TC 0.17	in (loc) l/defl L/d	MT20	244/190
Snow (Pf/Pg) 15.4/20.0	Plate Grip DOL 1.15	BC 0.09	Vert(LL) -0.00 31 n/r 120		
TCDL 10.0	Lumber DOL 1.15	WB 0.10	Vert(CT) -0.00 31 n/r 120		
BCLL 0.0 *	Rep Stress Incr YES	Matrix-R	Horz(CT) -0.00 32 n/a n/a		
BCDL 10.0	Code IRC2015/TPI2014			Weight: 310 lb	FT = 20%

LUMBER-	BRACING-
TOP CHORD 2x4 SP No.2	TOP CHORD Structural wood sheathing directly applied or 6-0-0 oc purlins, except end verticals.
BOT CHORD 2x4 SP No.2	BOT CHORD Rigid ceiling directly applied or 6-0-0 oc bracing.
WEBS 2x4 SP No.3	WEBS 1 Row at midpt 16-46, 15-47, 14-48, 17-45, 18-44
OTHERS 2x4 SP No.3	

REACTIONS. All bearings 34-0-0.
 (lb) - Max Horz 60=175(LC 14)
 Max Uplift All uplift 100 lb or less at joint(s) 32, 48, 49, 51, 52, 53, 54, 55, 56, 57, 58, 44, 43, 41, 40, 39, 38, 37, 36, 35, 34, 33 except 60=135(LC 14), 59=136(LC 15)
 Max Grav All reactions 250 lb or less at joint(s) 60, 32, 46, 47, 48, 49, 51, 52, 53, 54, 55, 56, 57, 58, 59, 45, 44, 43, 41, 40, 39, 38, 37, 36, 35, 34, 33

FORCES. (lb) - Max. Comp./Max. Ten. - All forces 250 (lb) or less except when shown.
 TOP CHORD 12-13=-85/272, 13-14=-95/299, 14-15=-106/330, 15-16=-109/341, 16-17=-109/336, 17-18=-106/325, 18-19=-95/293, 19-20=-85/266

- NOTES-**
- 1) Unbalanced roof live loads have been considered for this design.
 - 2) Wind: ASCE 7-10; Vult=120mph Vasd=95mph; TCDL=6.0psf; BCDL=6.0psf; h=25ft; B=45ft; L=34ft; eave=2ft; Cat. II; Exp B; Enclosed; MWFRS (directional) and C-C Corner(3) -0-10-8 to 2-4-0, Exterior(2) 2-4-0 to 17-0-0, Corner(3) 17-0-0 to 20-4-13, Exterior(2) 20-4-13 to 34-10-8 zone; cantilever left and right exposed ; end vertical left and right exposed;C-C for members and forces & MWFRS for reactions shown; Lumber DOL=1.60 plate grip DOL=1.60
 - 3) Truss designed for wind loads in the plane of the truss only. For studs exposed to wind (normal to the face), see Standard Industry Gable End Details as applicable, or consult qualified building designer as per ANSI/TPI 1.
 - 4) TCLL: ASCE 7-10; Pr=20.0 psf (roof live load: Lumber DOL=1.15 Plate DOL=1.15); Pg=20.0 psf (ground snow); Pf=15.4 psf (flat roof snow: Lumber DOL=1.15 Plate DOL=1.15); Category II; Exp B; Partially Exp.; Ct=1.10
 - 5) Unbalanced snow loads have been considered for this design.
 - 6) This truss has been designed for greater of min roof live load of 12.0 psf or 1.00 times flat roof load of 15.4 psf on overhangs non-concurrent with other live loads.
 - 7) All plates are 2x4 MT20 unless otherwise indicated.
 - 8) Gable requires continuous bottom chord bearing.
 - 9) Gable studs spaced at 1-4-0 oc.
 - 10) This truss has been designed for a 10.0 psf bottom chord live load nonconcurrent with any other live loads.
 - 11) * This truss has been designed for a live load of 20.0psf on the bottom chord in all areas where a rectangle 3-6-0 tall by 2-0-0 wide will fit between the bottom chord and any other members.
 - 12) Provide mechanical connection (by others) of truss to bearing plate capable of withstanding 100 lb uplift at joint(s) 32, 48, 49, 51, 52, 53, 54, 55, 56, 57, 58, 44, 43, 41, 40, 39, 38, 37, 36, 35, 34, 33 except (jt=lb) 60=135, 59=136.



December 20,2023

Job 23126108	Truss A1	Truss Type COMMON	Qty 2	Ply 1	BCTH-62	162656982
-----------------	-------------	----------------------	----------	----------	---------	-----------

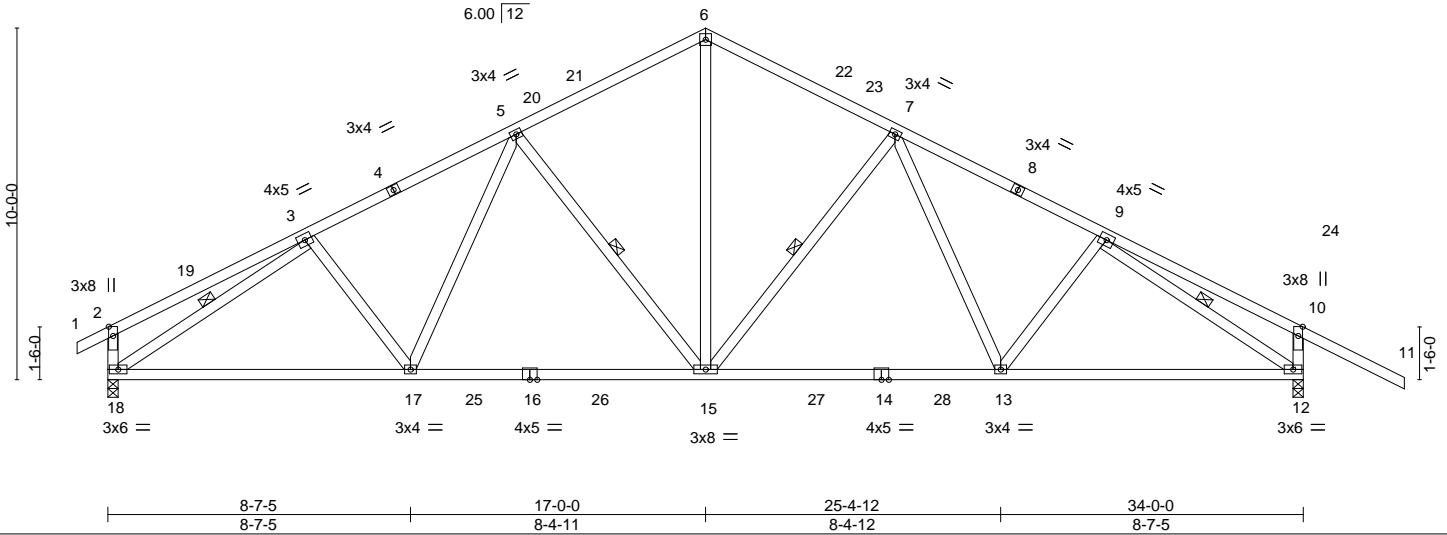
The Building Center, Gastonia, NC - 28052,

8.730 s Dec 14 2023 MiTek Industries, Inc. Tue Dec 19 17:05:18 2023 Page 1
ID:WIYe?dzY3YhuLGtsyuOyDRy7aYq-4ck2ZivWnu6QMd6iEYzilJwe_4zYX7XAp4bzOey7L1F



4x4 =

Scale = 1:65.5



LOADING (psf)	SPACING-	CSI.	DEFL.	PLATES	GRIP
TCLL (roof) 20.0	2-0-0	TC 0.68	in (loc) l/defl L/d	MT20	244/190
Snow (Pf/Pg) 15.4/20.0	Plate Grip DOL 1.15	BC 0.85	Vert(LL) -0.18 15-17 >999 240		
TCDL 10.0	Lumber DOL 1.15	WB 0.54	Vert(CT) -0.31 15-17 >999 180		
BCLL 0.0 *	Rep Stress Incr YES	Matrix-S	Horz(CT) 0.08 12 n/a n/a		
BCDL 10.0	Code IRC2015/TPI2014			Weight: 211 lb	FT = 20%

LUMBER-	BRACING-
TOP CHORD 2x4 SP No.2	TOP CHORD Structural wood sheathing directly applied or 4-0-7 oc purlins, except end verticals.
BOT CHORD 2x4 SP No.2	BOT CHORD Rigid ceiling directly applied or 10-0-0 oc bracing.
WEBS 2x4 SP No.3	WEBS 1 Row at midpt 7-15, 5-15, 3-18, 9-12

REACTIONS. (size) 18=0-3-8, 12=0-3-8
Max Horz 18=187(LC 14)
Max Uplift 18=33(LC 16), 12=88(LC 16)
Max Grav 18=1402(LC 2), 12=1537(LC 2)

FORCES. (lb) - Max. Comp./Max. Ten. - All forces 250 (lb) or less except when shown.
TOP CHORD 3-5=-1801/151, 5-6=-1396/184, 6-7=-1396/174, 7-9=-1773/134, 2-18=-304/132, 10-12=-375/175
BOT CHORD 17-18=0/1648, 15-17=0/1543, 13-15=0/1458, 12-13=0/1505
WEBS 6-15=-57/946, 7-15=-484/104, 7-13=0/282, 5-15=-499/107, 5-17=0/293, 3-18=-1729/58, 9-12=-1837/119

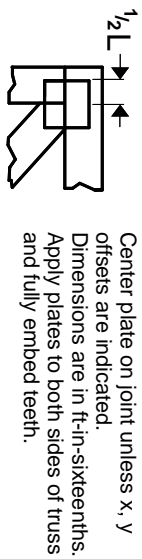
- NOTES-**
- 1) Unbalanced roof live loads have been considered for this design.
 - 2) Wind: ASCE 7-10; Vult=120mph Vasd=95mph; TCDL=6.0psf; BCDL=6.0psf; h=25ft; B=45ft; L=34ft; eave=4ft; Cat. II; Exp B; Enclosed; MWFRS (directional) and C-C Exterior(2) -0-10-8 to 2-6-5, Interior(1) 2-6-5 to 17-0-0, Exterior(2) 17-0-0 to 20-4-13, Interior(1) 20-4-13 to 36-10-8 zone; cantilever left and right exposed ; end vertical left and right exposed;C-C for members and forces & MWFRS for reactions shown; Lumber DOL=1.60 plate grip DOL=1.60
 - 3) TCLL: ASCE 7-10; Pr=20.0 psf (roof live load: Lumber DOL=1.15 Plate DOL=1.15); Pg=20.0 psf (ground snow); Pf=15.4 psf (flat roof snow: Lumber DOL=1.15 Plate DOL=1.15); Category II; Exp B; Partially Exp.; Ct=1.10
 - 4) Unbalanced snow loads have been considered for this design.
 - 5) This truss has been designed for greater of min roof live load of 12.0 psf or 1.00 times flat roof load of 15.4 psf on overhangs non-concurrent with other live loads.
 - 6) This truss has been designed for a 10.0 psf bottom chord live load nonconcurrent with any other live loads.
 - 7) * This truss has been designed for a live load of 20.0psf on the bottom chord in all areas where a rectangle 3-6-0 tall by 2-0-0 wide will fit between the bottom chord and any other members, with BCDL = 10.0psf.
 - 8) Provide mechanical connection (by others) of truss to bearing plate capable of withstanding 100 lb uplift at joint(s) 18, 12.



December 20,2023

Symbols

PLATE LOCATION AND ORIENTATION



Center plate on joint unless x, y offsets are indicated. Dimensions are in ft-in-sixteenths. Apply plates to both sides of truss and fully embed teeth.



For 4 x 2 orientation, locate plates 0- 1/16" from outside edge of truss.



* Plate location details available in MITek software or upon request.

PLATE SIZE

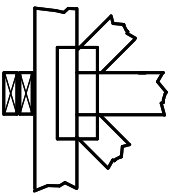
4 X 4
The first dimension is the plate width measured perpendicular to slots. Second dimension is the length parallel to slots.

LATERAL BRACING LOCATION



Indicated by symbol shown and/or by text in the bracing section of the output. Use T or I bracing if indicated.

BEARING



Indicates location where bearings (supports) occur. Icons vary but reaction section indicates joint number/letter where bearings occur. Min size shown is for crushing only.

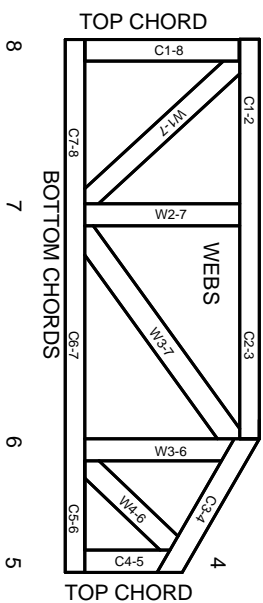
Industry Standards:

ANSI/TP1: National Design Specification for Metal Plate Connected Wood Truss Construction.
DSB-22: Design Standard for Bracing.
BCSI: Building Component Safety Information, Guide to Good Practice for Handling, Installing, Restraining & Bracing of Metal Plate Connected Wood Trusses.

Numbering System



1 TOP CHORDS
2 Joint ID typ.



JOINTS ARE GENERALLY NUMBERED/LETTERED CLOCKWISE AROUND THE TRUSS STARTING AT THE JOINT FARTHEST TO THE LEFT.

CHORDS AND WEBS ARE IDENTIFIED BY END JOINT NUMBERS/LETTERS.

Product Code Approvals

ICC-ES Reports:

ESR-1988, ESR-2362, ESR-2685, ESR-3282
ESR-4722, ESL-1388

Design General Notes

Trusses are designed for wind loads in the plane of the truss unless otherwise shown.

Lumber design values are in accordance with ANSI/TP1 section 6.3. These truss designs rely on Lumber values established by others.

© 2023 MITek® All Rights Reserved



MITek Engineering Reference Sheet: MIL-7473 rev. 1/2/2023

General Safety Notes

Failure to Follow Could Cause Property Damage or Personal Injury

1. Additional stability/bracing for truss system, e.g. diagonal or X-bracing, is always required. See BCSI.
2. Truss bracing must be designed by an engineer. For wide truss spacing, individual lateral braces themselves may require bracing, or alternative Tor I bracing should be considered.
3. Never exceed the design loading shown and never stack materials on inadequately braced trusses.
4. Provide copies of this truss design to the building designer, erection supervisor, property owner and all other interested parties.
5. Cut members to bear tightly against each other.
6. Place plates on each face of truss at each joint and embed fully. Knots and wane at joint locations are regulated by ANSI/TP1 1.
7. Design assumes trusses will be suitably protected from the environment in accord with ANSI/TP1 1.
8. Unless otherwise noted, moisture content of lumber shall not exceed 19% at time of fabrication.
9. Unless expressly noted, this design is not applicable for use with fire retardant, preservative treated, or green lumber.
10. Camber is a non-structural consideration and is the responsibility of truss fabricator. General practice is to camber for dead load deflection.
11. Plate type, size, orientation and location dimensions indicated are minimum plating requirements.
12. Lumber used shall be of the species and size, and in all respects, equal to or better than that specified.
13. Top chords must be sheathed or purlins provided at spacing indicated on design.
14. Bottom chords require lateral bracing at 10 ft. spacing, or less, if no ceiling is installed, unless otherwise noted.
15. Connections not shown are the responsibility of others.
16. Do not cut or alter truss member or plate without prior approval of an engineer.
17. Install and load vertically unless indicated otherwise.
18. Use of green or treated lumber may pose unacceptable environmental, health or performance risks. Consult with project engineer before use.
19. Review all portions of this design (front, back, words and pictures) before use. Reviewing pictures alone is not sufficient.
20. Design assumes manufacture in accordance with ANSI/TP1 1 Quality Criteria.
21. The design does not take into account any dynamic or other loads other than those expressly stated.