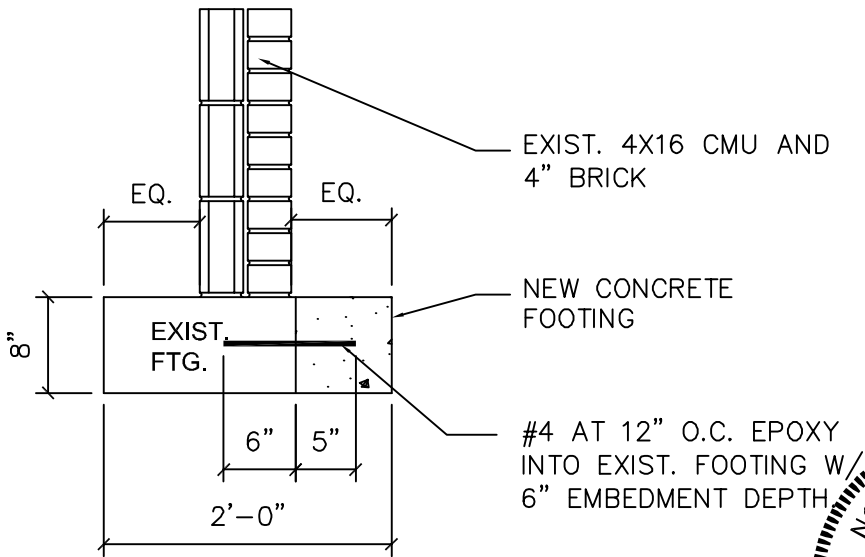
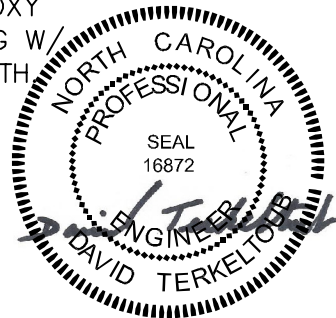


1 PIER FOOTING REPAIR
 S1.0 SCALE: 3/4" = 1'-0"



2 WALL FOOTING REPAIR
 S1.0 SCALE: 3/4" = 1'-0"



04-09-2024

EDGERTON FAMILY
 MASTER SUITE ADDITION
 824 CREEKVIEW LANE
 LINDEN, NC 28356

DAVID TERKELTOUB AND ASSOCIATES
 CONSULTING ENGINEERS
 902 PINE GROVE DRIVE
 WILMINGTON, NC 28409
 PHONE: (910) 794-3070 FAX: (910) 794-3090
 DT PROJECT NO.: 24023
 CERT. NO.: 2874

CADD FILE: S1.0
 PROJECT NUMBER: 24023
 DRAWN BY: DT
S1.0
 1 OF 1
 DATE: 09 APRIL 2024