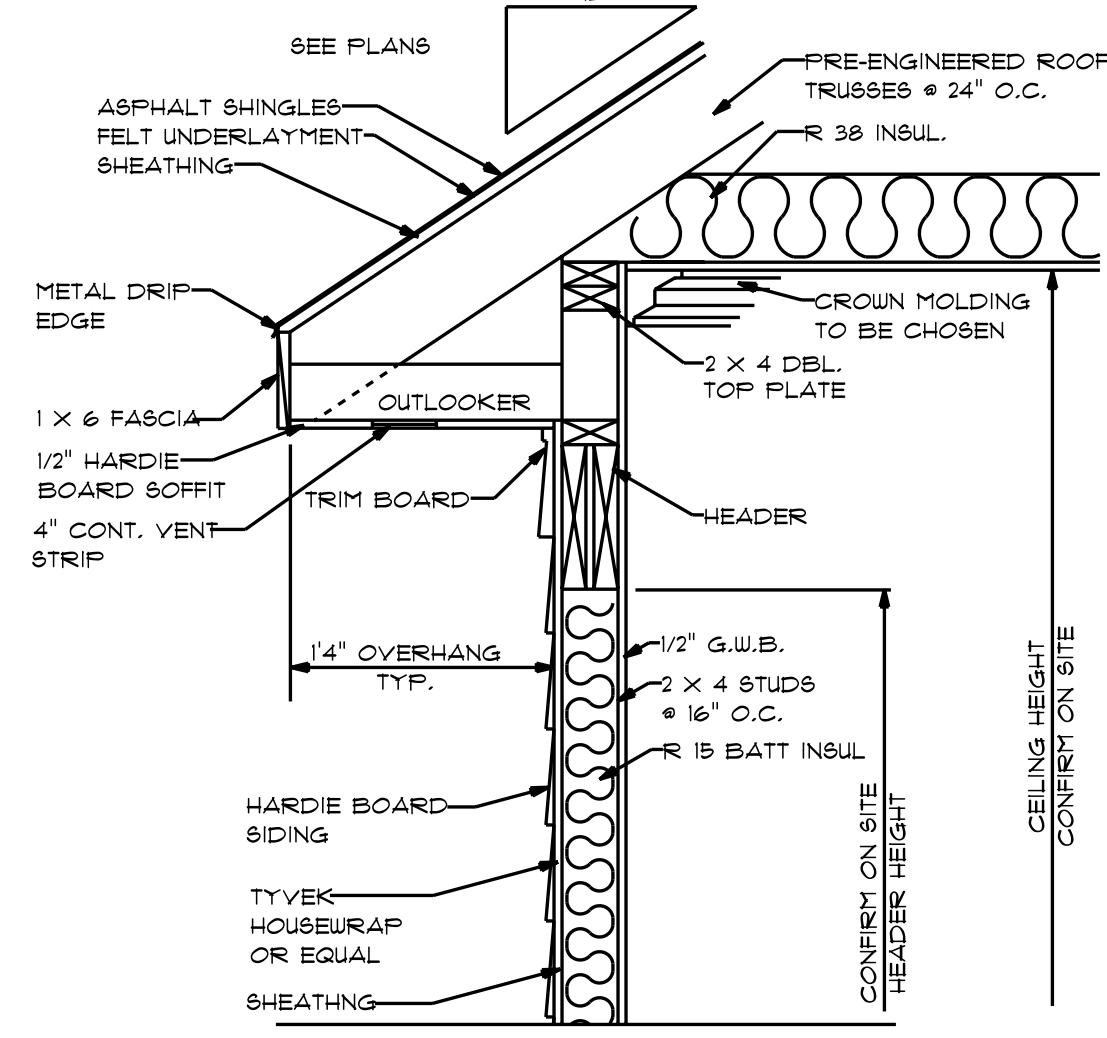


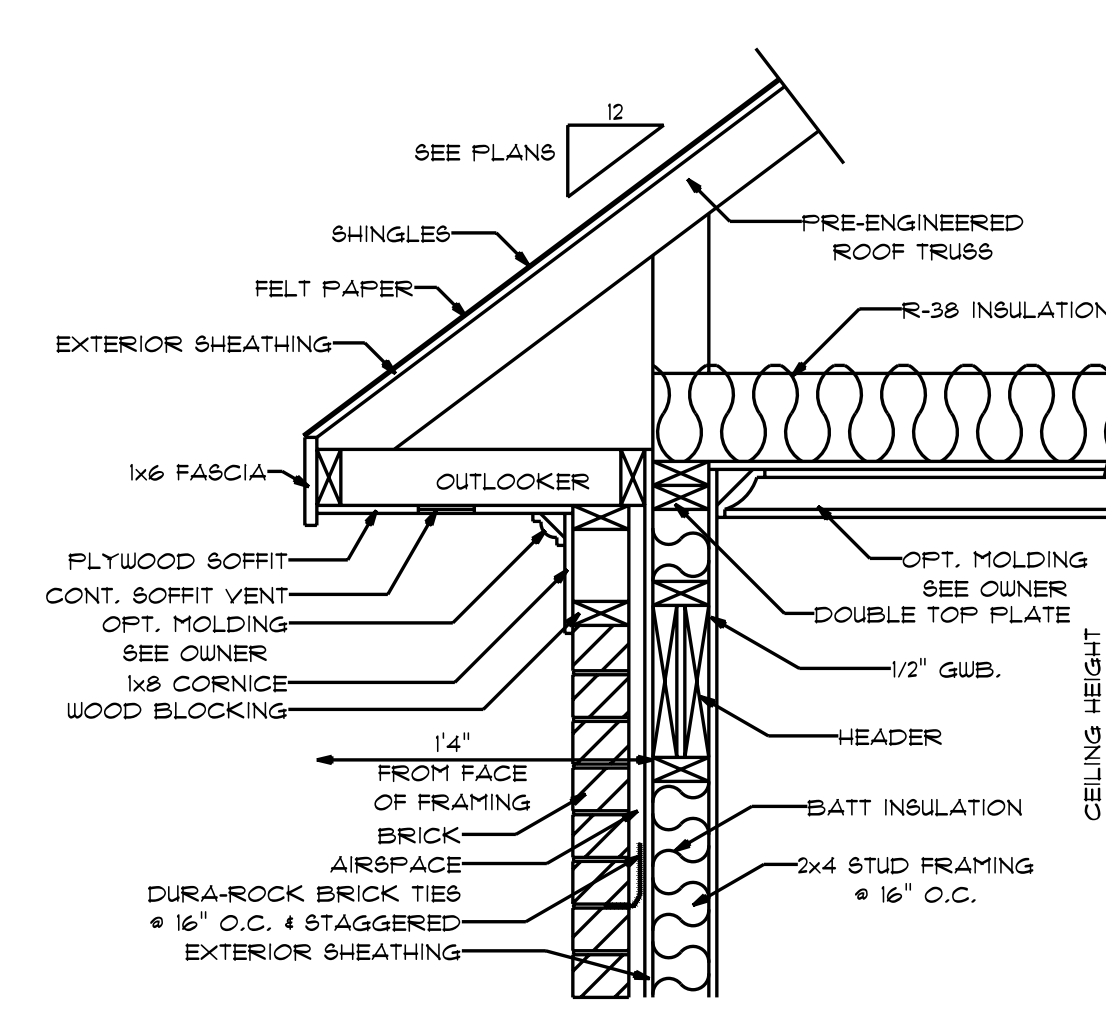
**PORCH ROOF/HEADER
W/BOXED OR ROUND COLUMN**

SCALE: 3/4" = 1'0"



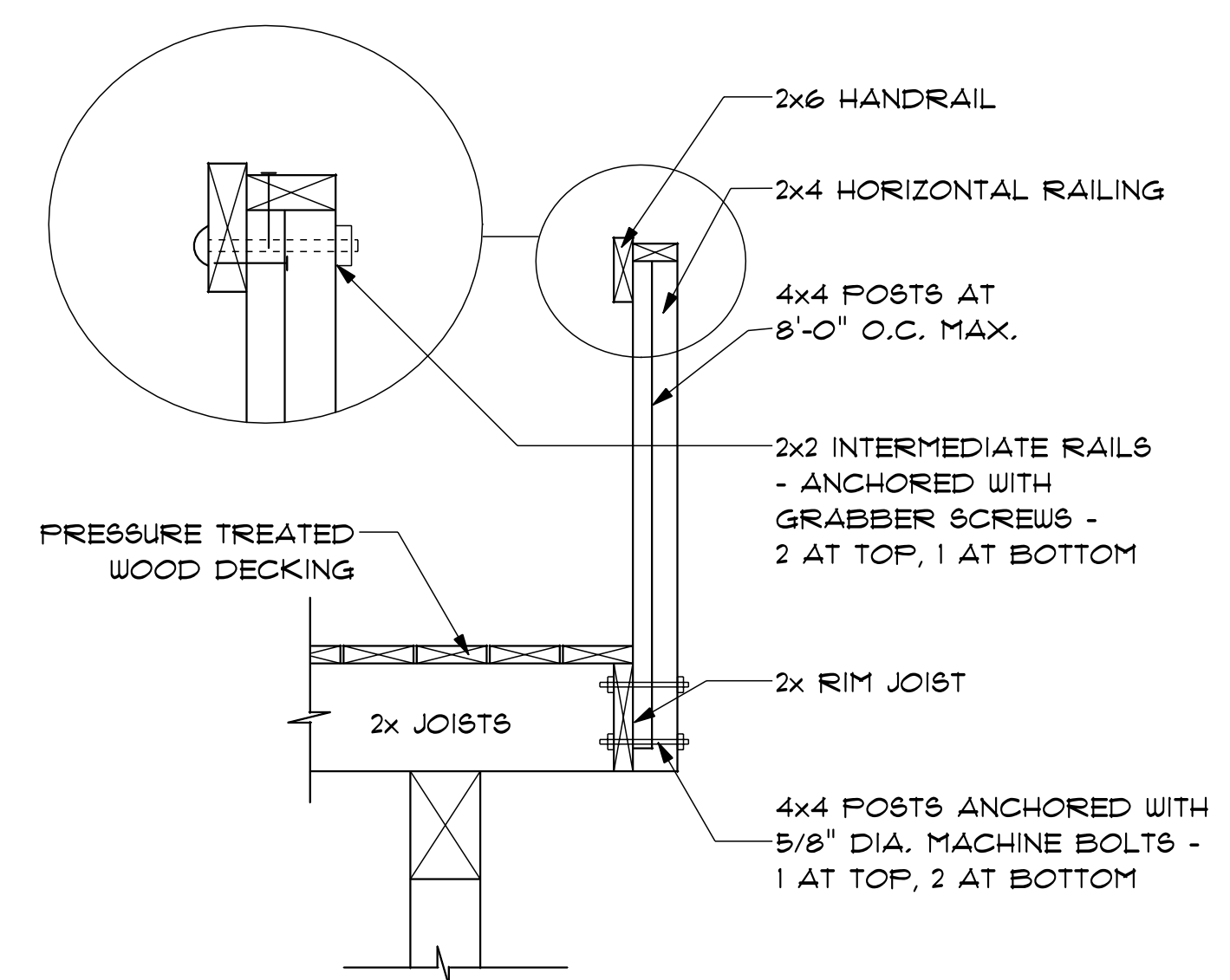
TYP. OVERHANG DETAIL

SCALE: 1" = 1'0"



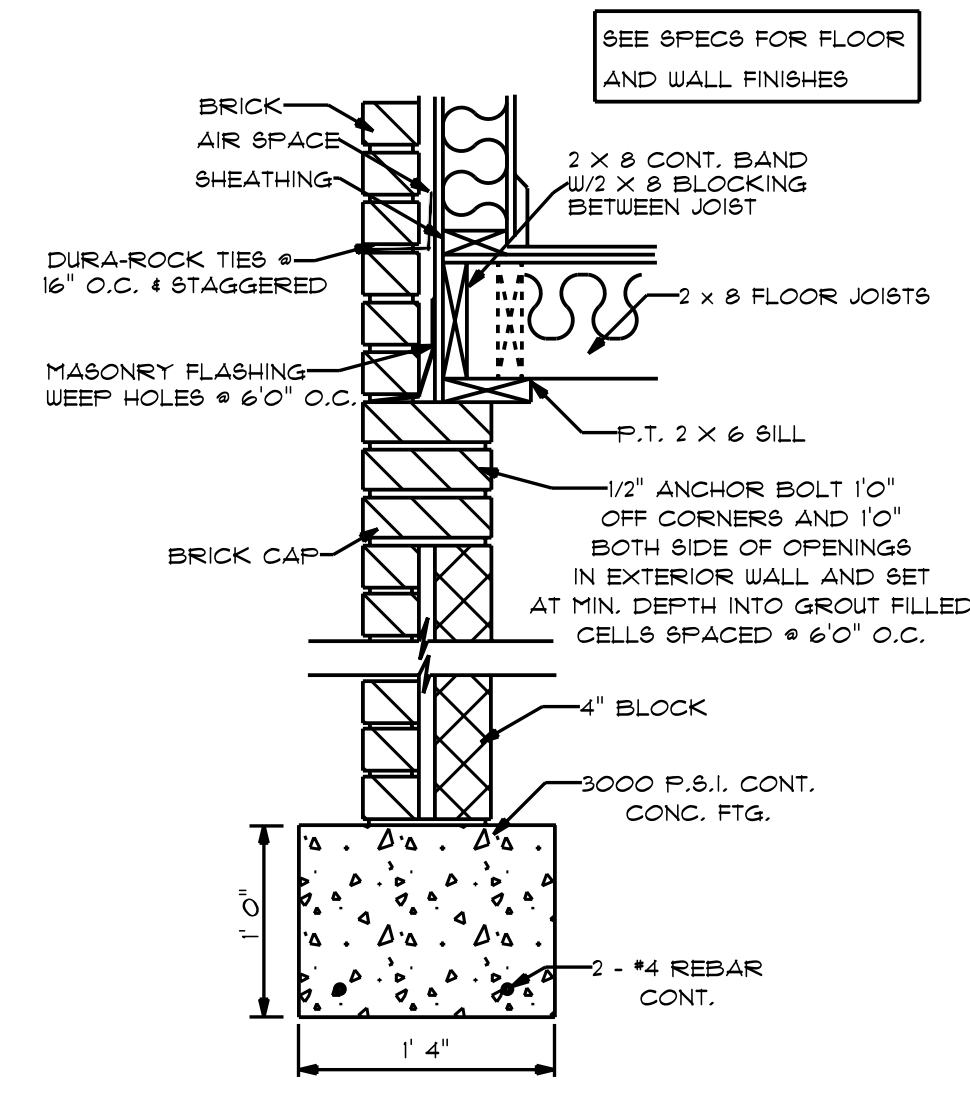
OVERHANG DETAIL

SCALE: 1" = 1'0"



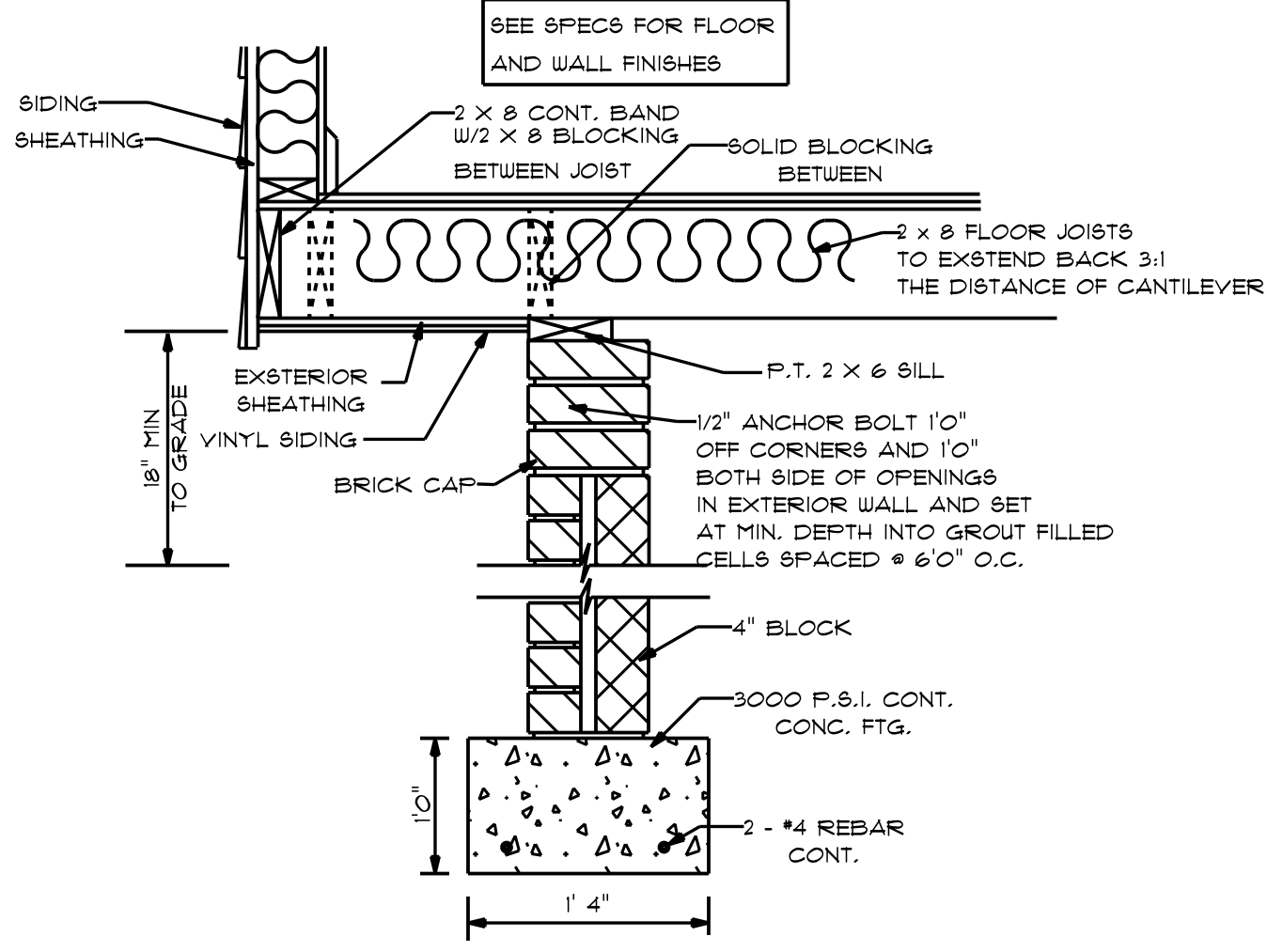
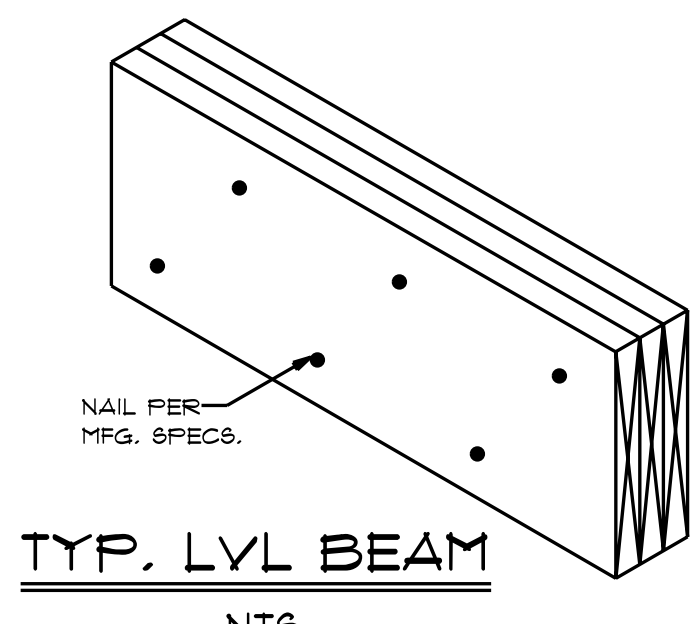
CANTILEVERED DECK AND RAILING ON SOLID BEAM

NTS



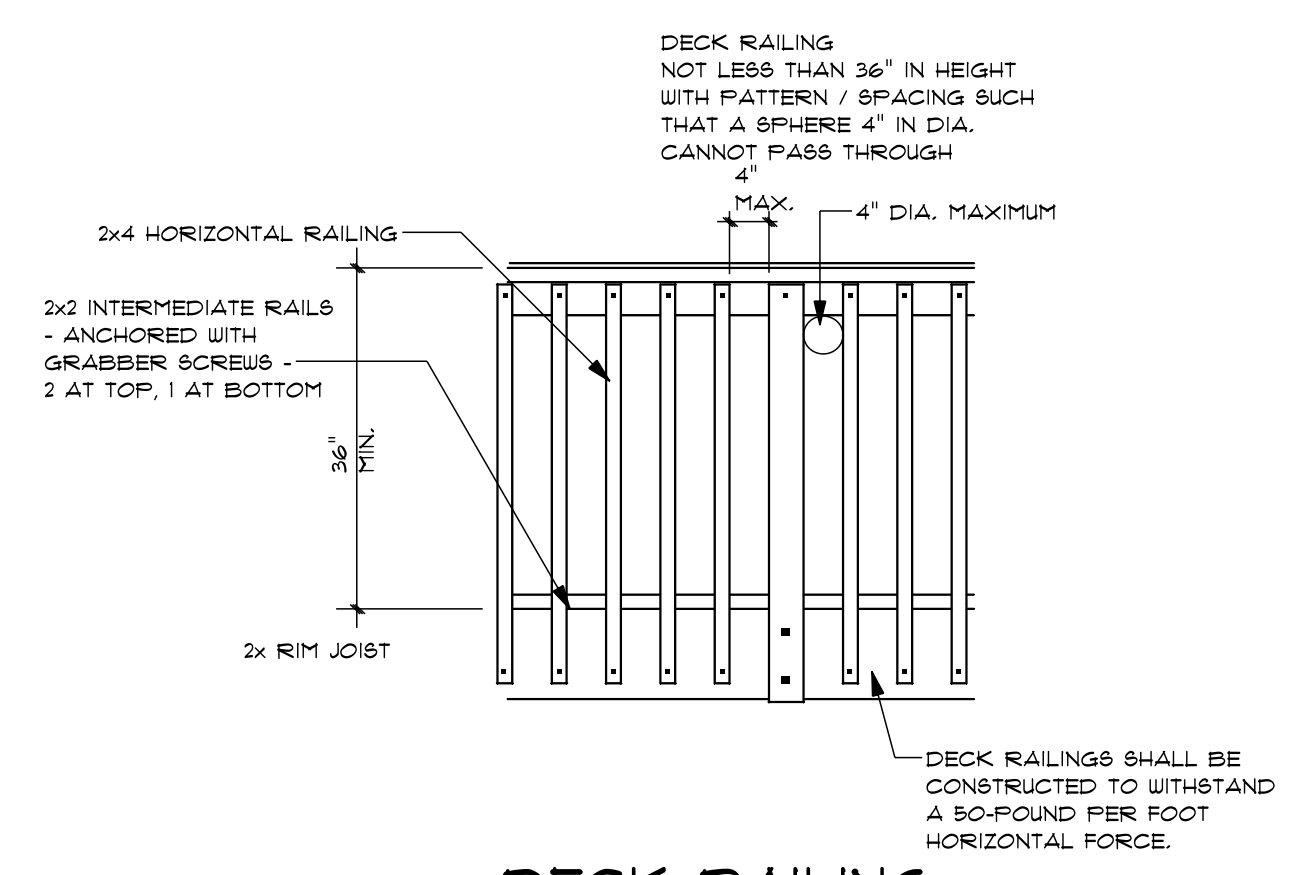
TYP. BRICK EXT. WALL DET.

SCALE: 1" = 1'0"



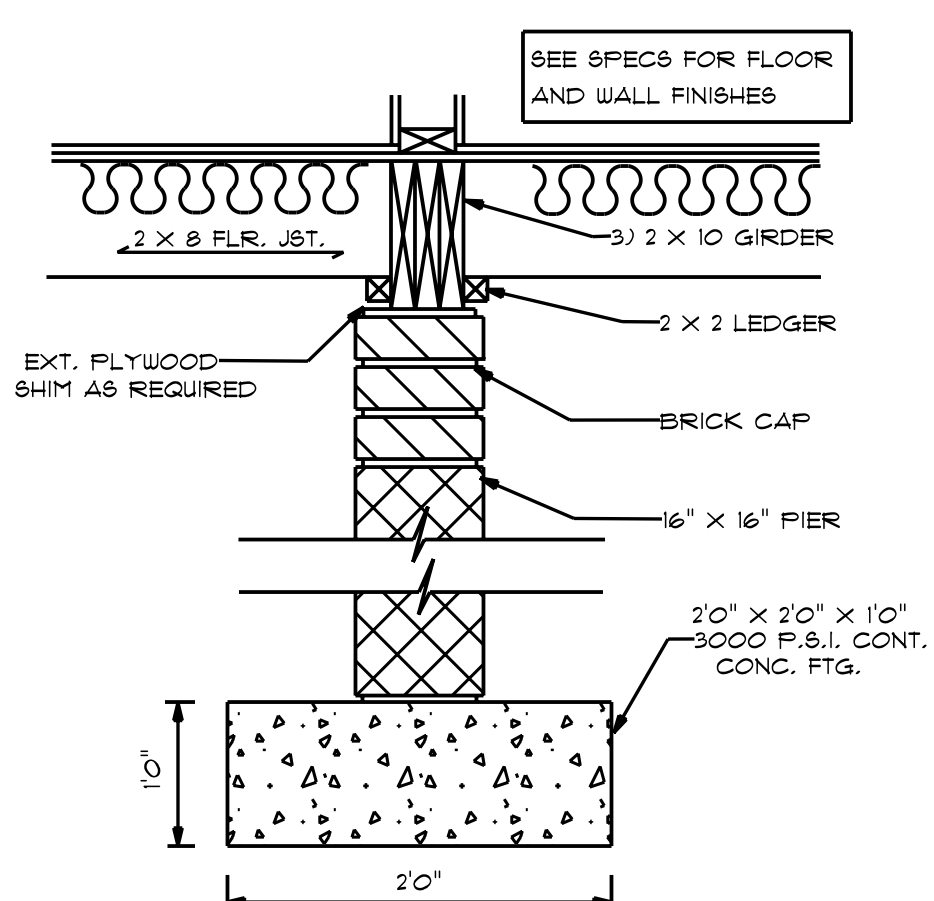
TYP. SIDING EXT. @ CANTILEVER WALL

NTS



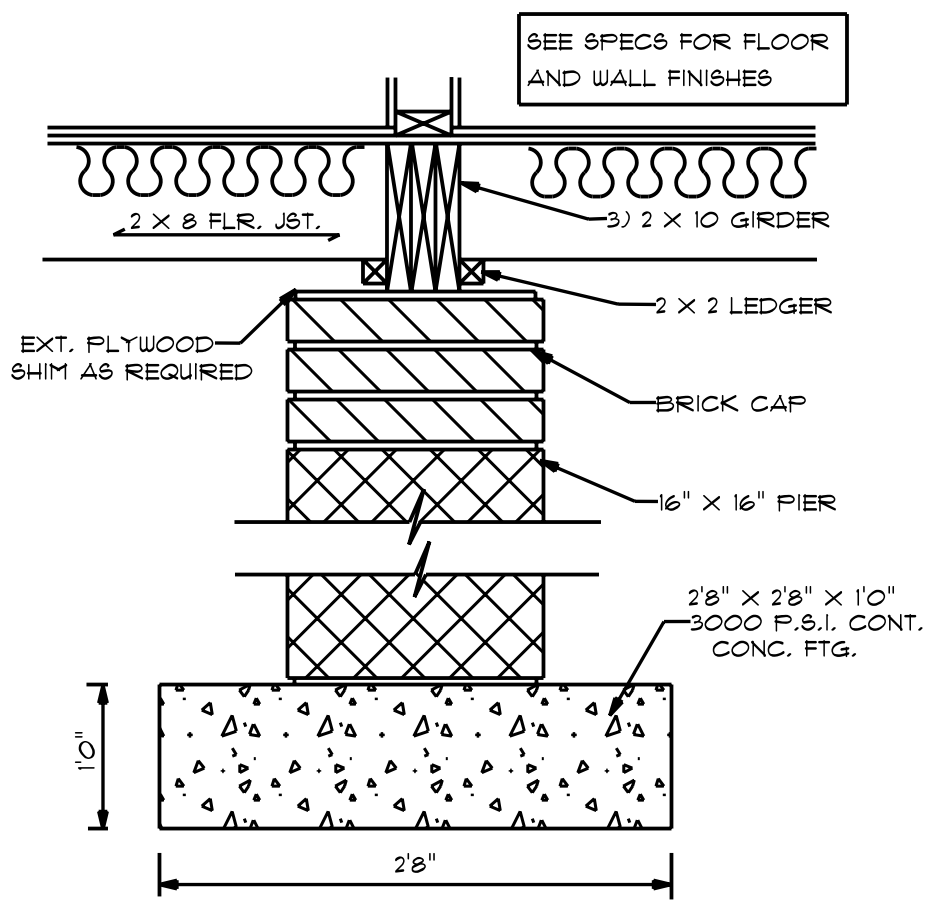
DECK RAILING

NTS



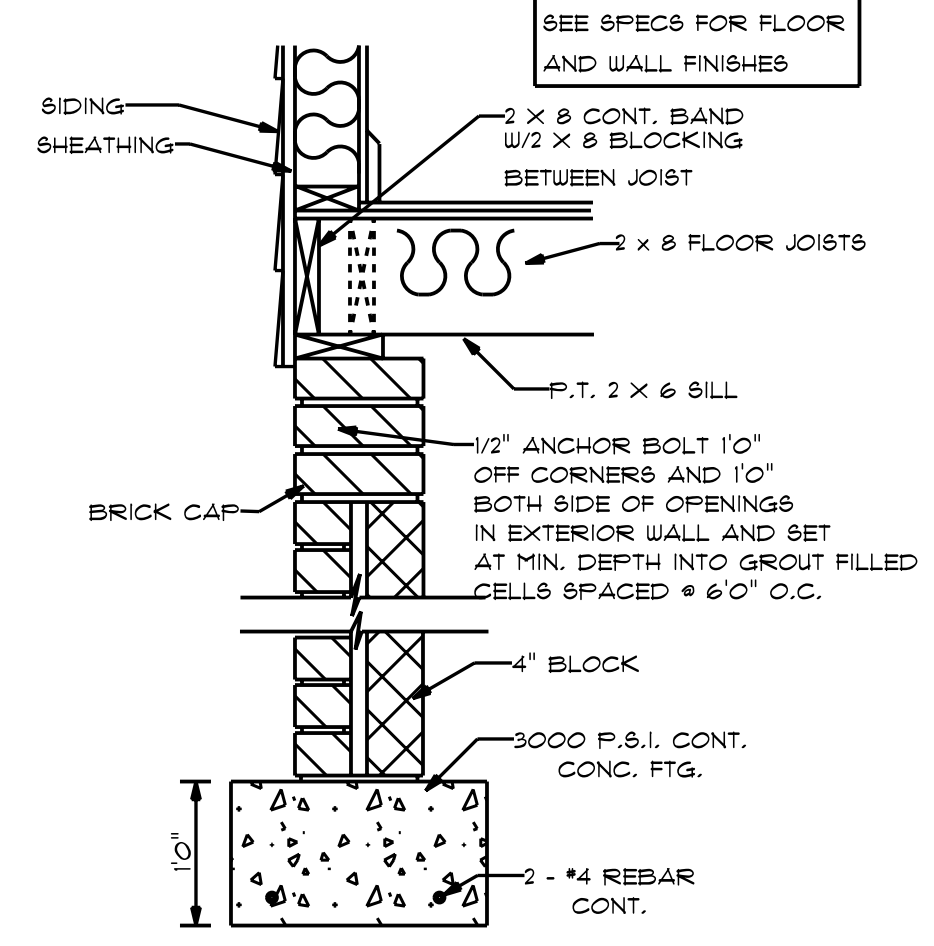
**TYP. BEARING GIRDER
NON-POINT LOAD**

NTS



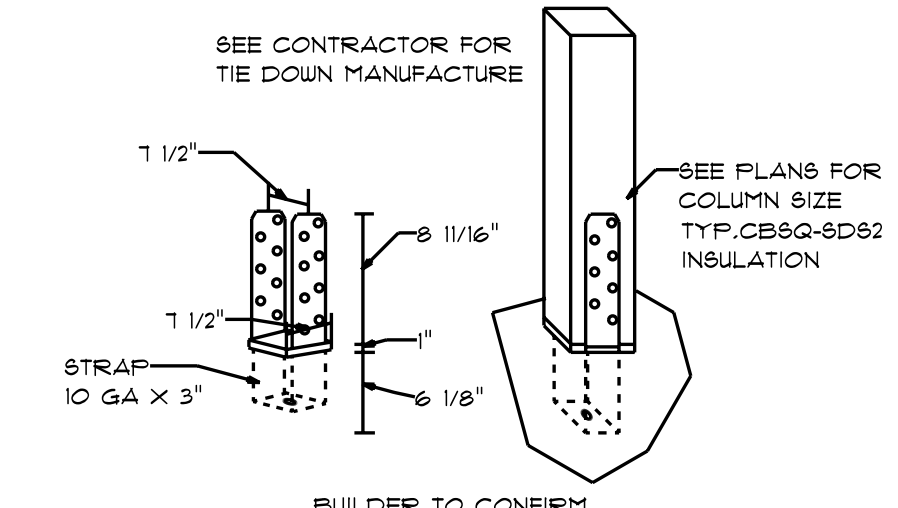
**TYP. BEARING GIRDER
POINT LOAD**

NTS



TYP. SIDING EXT. WALL DET.

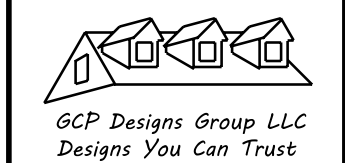
NTS



TYP. TIE DOWN DETAIL

NTS

NOTES:
1. ALL FINAL MATERIALS ARE TO BE CHOSEN BY THE CONTRACTOR.
2. FINAL NUMBER OF EXTERIOR STEPS WILL BE DETERMINED ON SITE BY GRADE.
3. CONTRACTOR MUST MEET OR EXCEED ALL APPLICABLE LOCAL, STATE AND FEDERAL REQUIREMENTS.
4. DESIGNER ASSUMES NO RESPONSIBILITY FOR CHANGES TO DRAWINGS BY OTHERS DURING CONSTRUCTION.
5. ALL STRUCTURAL INFO SHOWN ON PLANS ARE FOR INFORMATION ONLY. THE CONTRACTOR SHALL OBTAIN ALL NECESSARY PERMITS AND DESIGN ALL STRUCTURAL ELEMENTS.



DATE: 12-11-2023
SUBDIVISION:
BUILDER:

**RESIDENCE OF
MR. HARGROVE J**

NOTE:
BUILDING CONTRACTOR TO MEET LOCAL WIND LOADS PER LOCAL CODE AS IT PERTAINS TO LOCATION OF HOUSE (ICC, IBC, IRC, IFC, IRC, IBC, IFBC).