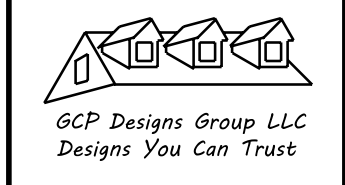
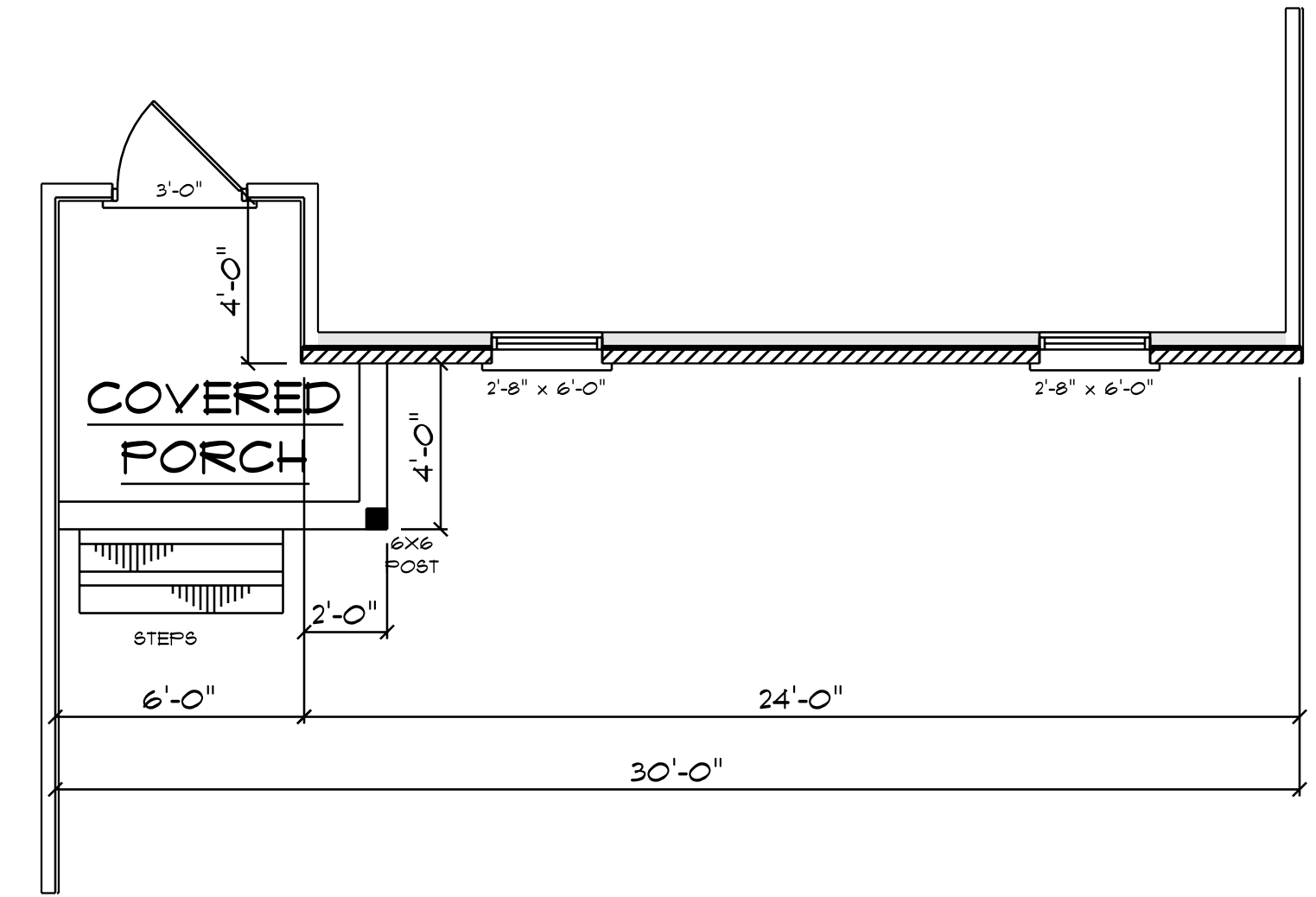


NOTES:  
1. ALL FINAL MATERIALS ARE TO BE CHOSEN BY THE CONTRACTOR.  
2. FINAL NUMBER OF EXTERIOR STEPS WILL BE DETERMINED ON SITE BY GRADE.  
3. CONTRACTOR MUST MEET OR EXCEED ALL APPLICABLE LOCAL AND STATE REQUIREMENTS.  
4. DESIGNER ASSUMES NO RESPONSIBILITY FOR CHANGES TO DRAWINGS BY OTHERS DURING CONSTRUCTION.  
5. ALL STRUCTURAL INFO SHOWN ON PLANS ARE FOR INFORMATION ONLY. CONTRACTOR MUST OBTAIN ALL NECESSARY PERMITS AND REVIEW AND DESIGN ALL STRUCTURAL ELEMENTS.



DATE: 12-11-2023  
SUBDIVISION:  
BUILDER:

**RESIDENCE OF  
MR. HARGROVE J**



CONTRACTOR TO MATCH EXISTING OVERHANG AND RAKE  
CONFIRM ALL MEASUREMENT ON SITE AND ROOF HEIGHTS

**EXISTING HOUSE  
FRONT PORCH**  
SCALE: 1/4" = 1'-0"

NOTE:  
BUILDING CONTRACTOR TO MEET LOCAL WIND LOADS PER LOCAL CODE AS IT PERTAINS TO LOCATION OF HOUSE (CC, 110, 130, 150, 160, 180, 190)