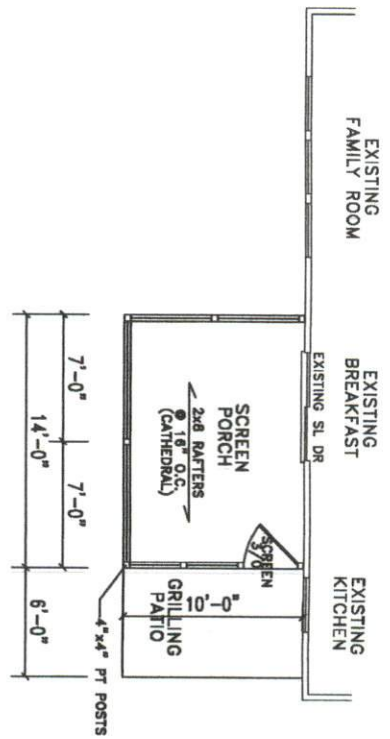
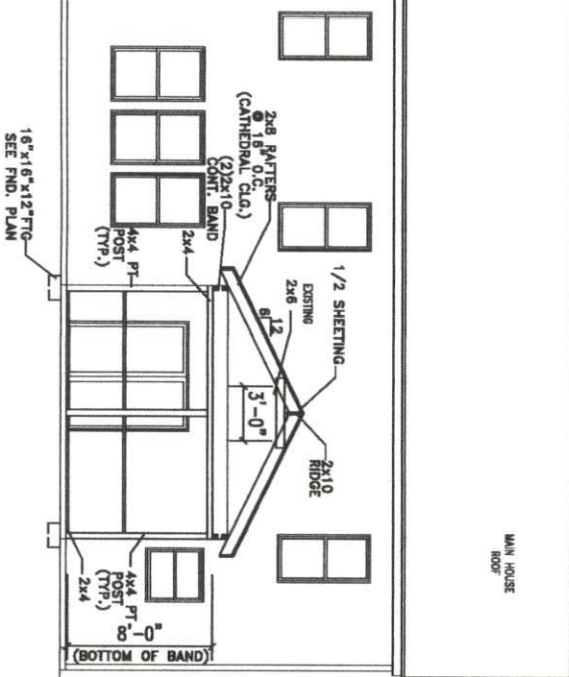


**FOUNDATION**  
SCALE:.....1/4"=1'

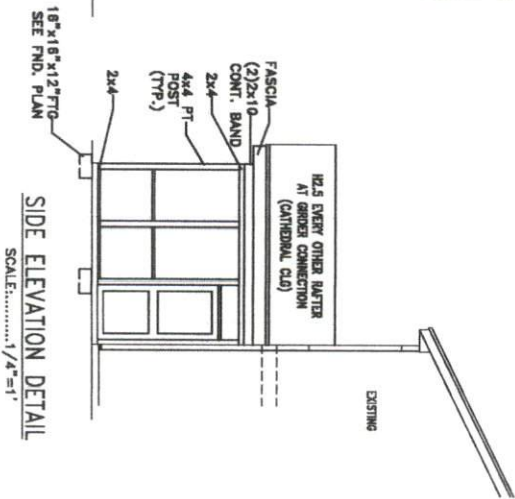
NOTE:  
- MIN. HANDRAIL HGT.  
IS 3'-0".



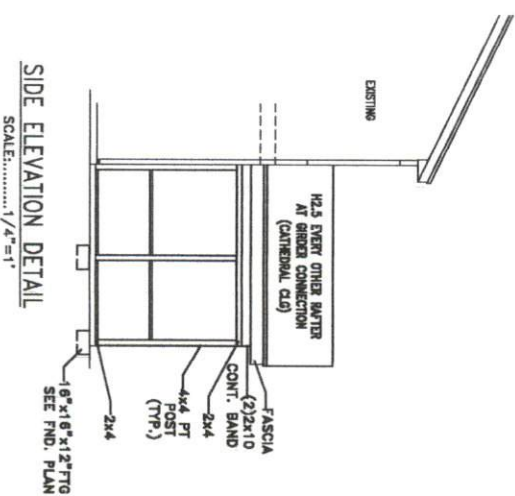
**FLOOR PLAN DETAIL**  
SCALE:.....1/4"=1'



**FRONT ELEVATION DETAIL**  
SCALE:.....1/4"=1'



**SIDE ELEVATION DETAIL**  
SCALE:.....1/4"=1'



**SIDE ELEVATION DETAIL**  
SCALE:.....1/4"=1'

REVISIONS:  
8/17/2023

FRONT PORCH  
BUILDING COMPANY  
919-291-7877

16 Thomas Gage  
Fuquay, NC

10x14 Slab  
Screen Porch

FILE  
DESIGNER: AOS  
DRAWN: AOS  
CHECKED:  
DATE: 8/04/2023  
SHEET: 1