



**Trenco**  
 818 Soundside Rd  
 Edenton, NC 27932

Re: 27525  
 David Johnson/Shachle

The truss drawing(s) referenced below have been prepared by Truss Engineering Co. under my direct supervision based on the parameters provided by C & R Truss.

Pages or sheets covered by this seal: 150400954 thru 160400954

My license renewal date for the state of North Carolina is December 31, 2023.

North Carolina COA: C-0844



August 28, 2023

Gilbert, Eric

**IMPORTANT NOTE:** The seal on these truss component designs is a certification that the engineer named is licensed in the jurisdiction(s) identified and that the designs comply with ANSI/TPI 1. These designs are based upon parameters shown (e.g., loads, supports, dimensions, shapes and design codes), which were given to MiTek or TRENCO. Any project specific information included is for MiTek's or TRENCO's customers file reference purpose only, and was not taken into account in the preparation of these designs. MiTek or TRENCO has not independently verified the applicability of the design parameters or the designs for any particular building. Before use, the building designer should verify applicability of design parameters and properly incorporate these designs into the overall building design per ANSI/TPI 1, Chapter 2.



SIDE SHELTER

29 GA METAL ROOFING

2x8 RAFTERS 2' O.C.

2x4 PURLINS 2' O.C.

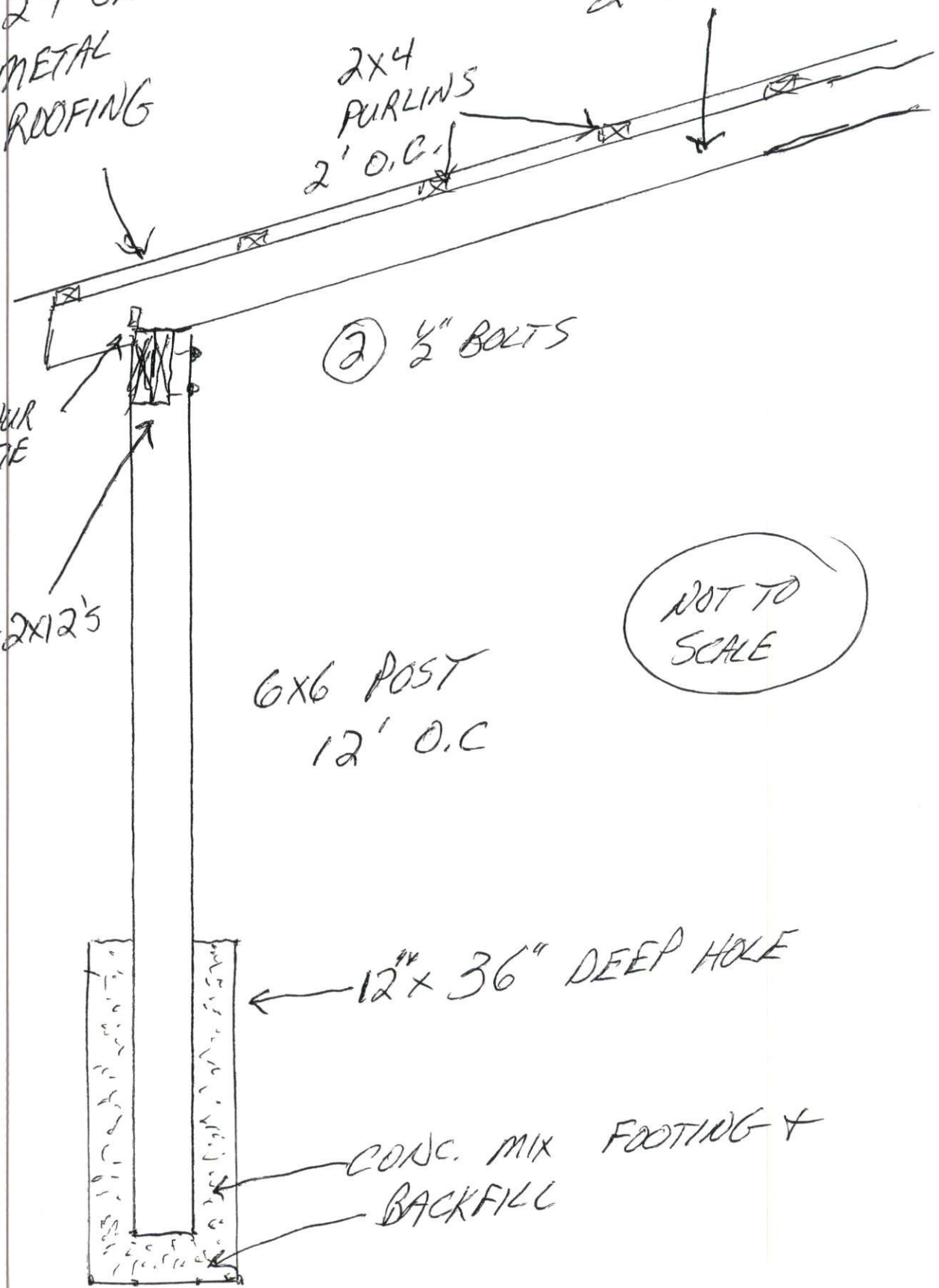
2-2x12's  
6x6 POST  
12' O.C.  
2 1/2" BOLTS

NOT TO SCALE

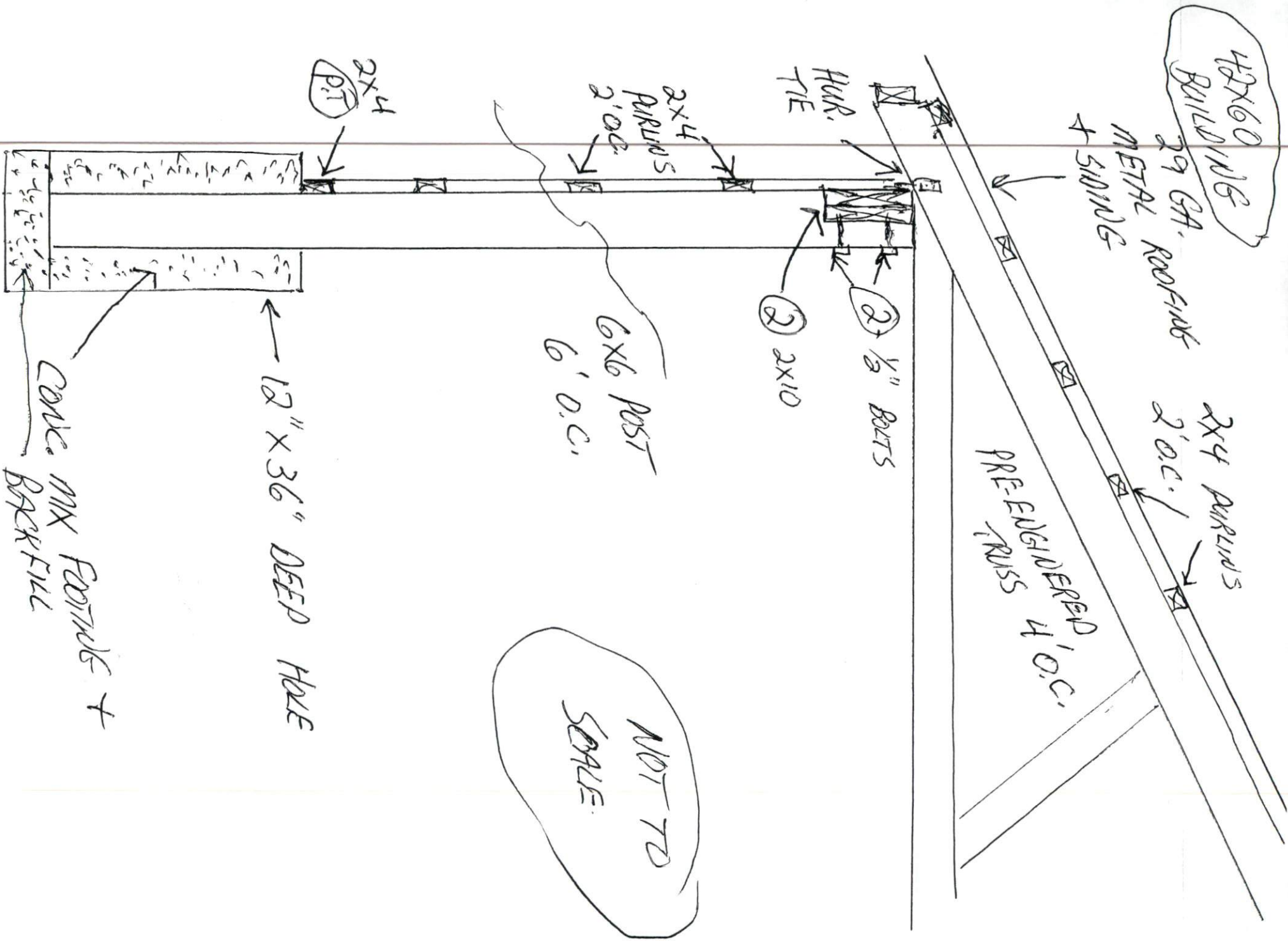
HUR TIE

12" x 36" DEEP HOLE

CONC. MIX FOOTING + BACKFILL







42X60 BUILDING

29 GA. METAL ROOFING + SIDING

2x4 PURLINS 2' O.C.

PRE-ENGINEERED TRUSS 4' O.C.

HUR. TIE

2 1/2" BOLTS  
2 2x10

2x4 PURLINS 2' O.C.

6x6 POST 6' O.C.

NOT TO SCALE

2x4 PIT

12" X 36" DEEP HOLE

CONC. MCM FOOTING + BACKFILL



42x60 STORAGE BUILDING WITH 12' SIDE SHELTER

