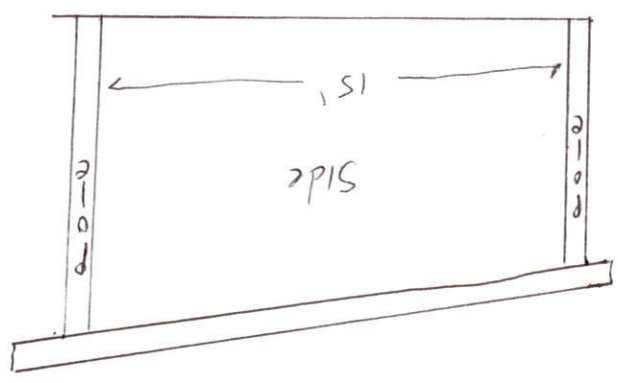
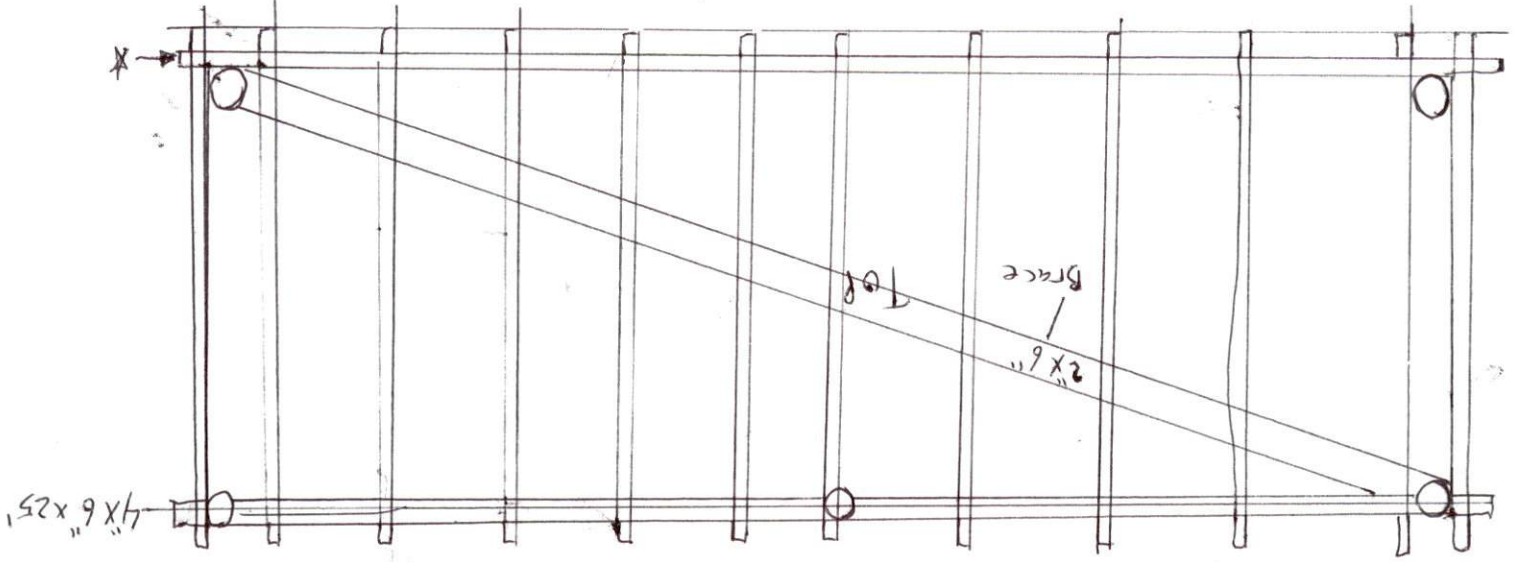
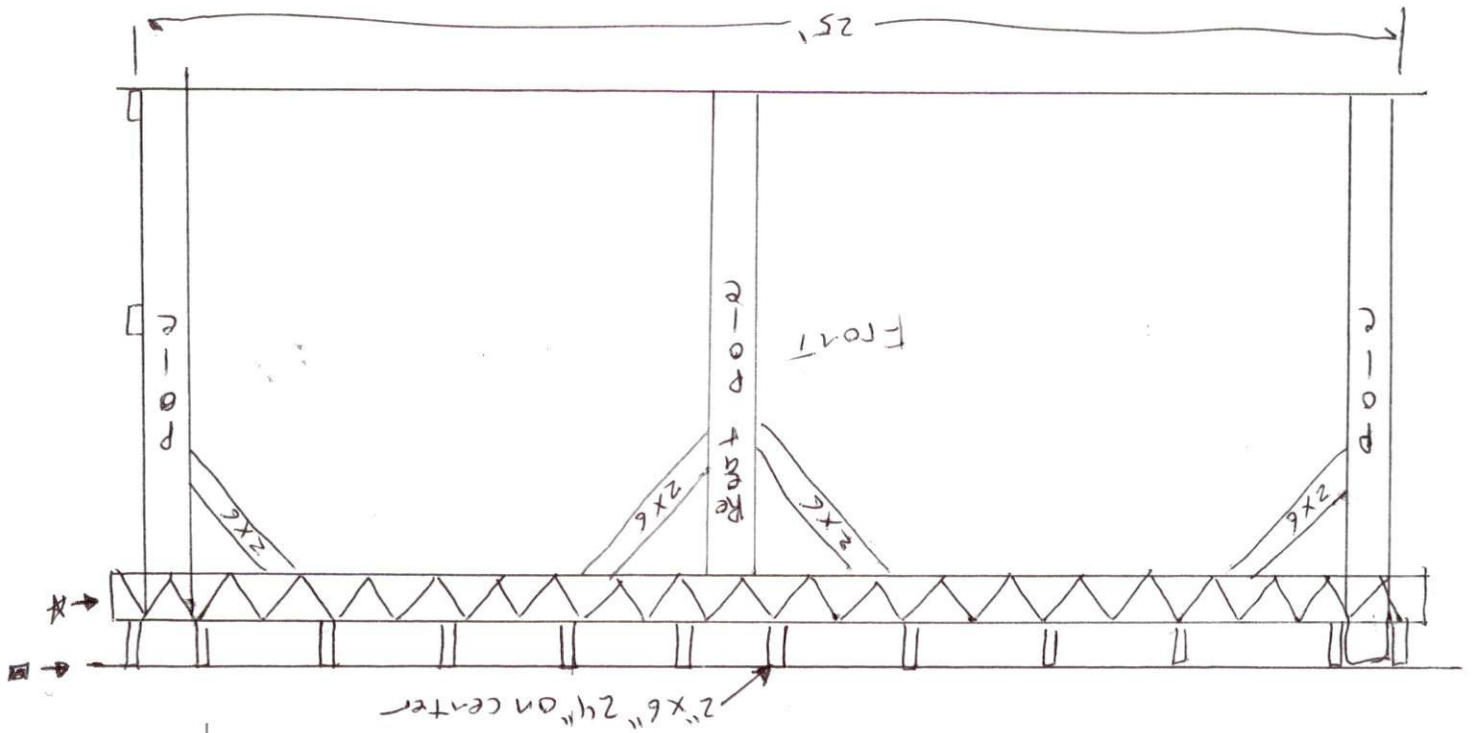


Justin Landano
9195345840

Notes: # 2x2x3/16 Angle Iron Truss
Corrugated Steel Roof
(No walls just roof)



No walls