

Eagle Carports

"Flying High with Great Deals"



STRUCTURAL DESIGN

ENCLOSED BUILDING

**MAXIMUM 30'- 0" WIDE X 20'- 0" HEIGHT-
BOX EAVE FRAME AND BOW FRAME**

19 August 2021

Revision 9

M&A Project No. 16166S/17207S/17293S/18012S/18260S/19320S/21169S

Prepared for:

**Eagle Carports
210 Airport Road
Mount Airy, NC 27030**

Prepared by:

Moore and Associates Engineering and Consulting, Inc.

**1009 East Avenue
North Augusta, SC 29841**





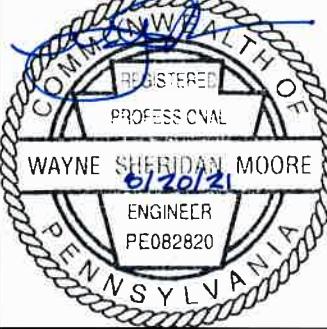

**401 S. Main Street, Suite 200
Mount Airy, NC 27030**



**MOORE AND ASSOCIATES
ENGINEERING AND CONSULTING**

		<p>I HAVE RESEARCHED THIS CHAPTER AND THE LOUISIANA STATE UNIFORM CONSTRUCTION CODE AND TO THE BEST OF MY KNOWLEDGE AND BELIEF, THESE DRAWINGS ARE IN COMPLIANCE THEREWITH. I TAKE FULL RESPONSIBILITY FOR THE CONTENTS OF THESE PLANS.</p>	

<p>MOORE AND ASSOCIATES ENGINEERING AND CONSULTING, INC.</p>	<p>DRAWN BY: LT</p>	<p>EAGLE CARPORTS 210 AIRPORT ROAD MOUNT AIRY, NC 27030 30'-0"x20'-0" SP ENCLOSED STRUCTURE</p>		
	<p>CHECKED BY: PDH</p>	<p>PROJECT MGR: WSM</p>	<p>DATE: 8-19-21</p>	<p>SCALE: NTS JOB NO: 16166S/ 18260S/19320S/21169S</p>
<p>THIS DOCUMENT IS THE PROPERTY OF MOORE AND ASSOCIATES ENGINEERING AND CONSULTING. THE UNAUTHORIZED REPRODUCTION, COPYING, OR OTHERWISE USE OF THIS DOCUMENT IS STRICTLY PROHIBITED AND ANY INFRINGEMENT THEREUPON MAY BE SUBJECT TO LEGAL ACTION.</p>	<p>CLIENT: EAGLE CARPORTS</p>	<p>SHT. 1</p>	<p>DWG. NO: SK-3</p>	<p>REV. 9</p>

			
	<p>Professional Certification. I hereby certify that these documents were prepared or approved by me, and that I am a duly licensed professional engineer under the laws of the State of Maryland, License No. 49744, Expiration Date 6/20/21 <u>6/22/2022</u></p>		
			
			
			

<p align="center">MOORE AND ASSOCIATES ENGINEERING AND CONSULTING, INC.</p>	<p>DRAWN BY: LT</p>	<p align="center">EAGLE CARPORTS 210 AIRPORT ROAD MOUNT AIRY, NC 27030 30'-0"x20'-0" SP ENCLOSED STRUCTURE</p>		
	<p>CHECKED BY: PDH</p>			
<p><small>THIS DOCUMENT IS THE PROPERTY OF MOORE AND ASSOCIATES ENGINEERING AND CONSULTING. THE UNAUTHORIZED REPRODUCTION, COPYING, OR OTHERWISE USE OF THIS DOCUMENT IS STRICTLY PROHIBITED AND ANY INFRINGEMENT THEREUPON MAY BE SUBJECT TO LEGAL ACTION.</small></p>	<p>PROJECT MGR: WSM</p>	<p>DATE: 8-19-21</p>	<p>SCALE: NTS</p>	<p>JOB NO: 16166S/ 18260S/19320S/21169S</p>
	<p>CLIENT: EAGLE CARPORTS</p>	<p>SHT. 1A</p>	<p>DWG. NO: SK-3</p>	<p>REV: 9</p>

DRAWING INDEX

SHEET 1	PE SEAL COVER SHEET (1 OF 2)
SHEET 1A	PE SEAL COVER SHEET (2 OF 2)
SHEET 2	DRAWING INDEX
SHEET 3	INSTALLATION NOTES AND SPECIFICATIONS
SHEET 3A	LIST OF APPLICABLE BUILDING CODES
SHEET 4	TYPICAL SIDE AND END ELEVATIONS
SHEET 5	TYPICAL RAFTER/COLUMN END FRAMING SECTION (BOX EAVE RAFTER) (EXPOSURE B)
SHEET 5A	TYPICAL RAFTER/COLUMN END AND SIDE FRAMING SECTION (BOX EAVE RAFTER) (EXPOSURE B)
SHEET 5B	TYPICAL RAFTER/COLUMN END FRAMING SECTION (BOX EAVE RAFTER) (EXPOSURE C)
SHEET 5C	TYPICAL RAFTER/COLUMN END AND SIDE FRAMING SECTION (BOX EAVE RAFTER) (EXPOSURE C)
SHEET 6	COLUMN CONNECTION DETAILS (BOX EAVE STRUCTURE) (EXPOSURE B)
SHEET 6A	COLUMN CONNECTION DETAILS (BOX EAVE STRUCTURE) (EXPOSURE B)
SHEET 6B	COLUMN CONNECTION DETAILS (BOX EAVE STRUCTURE) (EXPOSURE C)
SHEET 6C	COLUMN CONNECTION DETAILS (BOX EAVE STRUCTURE) (EXPOSURE C)
SHEET 7	TYPICAL RAFTER/COLUMN END FRAMING SECTION (BOW RAFTER) (EXPOSURE B)
SHEET 7A	TYPICAL RAFTER/COLUMN END AND SIDE FRAMING SECTION (BOW RAFTER) (EXPOSURE B)
SHEET 7B	TYPICAL RAFTER/COLUMN END FRAMING SECTION (BOW RAFTER) (EXPOSURE C)
SHEET 7C	TYPICAL RAFTER/COLUMN END AND SIDE FRAMING SECTION (BOW RAFTER) (EXPOSURE C)
SHEET 8	COLUMN CONNECTION DETAILS (BOW RAFTER STRUCTURE) (EXPOSURE B)
SHEET 8A	COLUMN CONNECTION DETAILS (BOW RAFTER STRUCTURE) (EXPOSURE B)
SHEET 8B	COLUMN CONNECTION DETAILS (BOW RAFTER STRUCTURE) (EXPOSURE C)
SHEET 8C	COLUMN CONNECTION DETAILS (BOW RAFTER STRUCTURE) (EXPOSURE C)
SHEET 9	BASE RAIL ANCHORAGE OPTIONS
SHEET 10	TYPICAL END WALL AND SIDE WALL FRAMING SECTIONS (BOX EAVE RAFTER)
SHEET 11	TYPICAL END WALL AND SIDE WALL FRAMING SECTIONS (BOW RAFTER)
SHEET 12	CONNECTION DETAILS
SHEET 13	CONNECTION DETAILS
SHEET 14	LEAN-TO OPTIONS (BOX EAVE RAFTER)
SHEET 14A	LEAN-TO OPTIONS (BOX EAVE RAFTER)
SHEET 14B	LEAN-TO OPTIONS (BOX EAVE RAFTER) (EXPOSURE B)
SHEET 14C	LEAN-TO OPTIONS (BOX EAVE RAFTER) (EXPOSURE C)
SHEET 15	LEAN-TO OPTIONS (BOW RAFTER)
SHEET 15A	LEAN-TO OPTIONS (BOW RAFTER) (EXPOSURE B)
SHEET 15B	LEAN-TO OPTIONS (BOW RAFTER) (EXPOSURE C)
SHEET 16	VERTICAL ROOF/SIDING OPTION END AND SIDE ELEVATION AND SECTION
SHEET 17	SIDE WALL AND END WALL HEADER OPTIONS

MOORE AND ASSOCIATES ENGINEERING AND CONSULTING, INC.	DRAWN BY: LT	EAGLE CARPORTS 210 AIRPORT ROAD MOUNT AIRY, NC 27030 30'-0"x20'-0" SP ENCLOSED STRUCTURE		
	CHECKED BY: PDH	DATE: 8-19-21	SCALE: NTS	JOB NO: 16166S/ 18260S/19320S/21169S
THIS DOCUMENT IS THE PROPERTY OF MOORE AND ASSOCIATES ENGINEERING AND CONSULTING. THE UNAUTHORIZED REPRODUCTION, COPYING, OR OTHERWISE USE OF THIS DOCUMENT IS STRICTLY PROHIBITED AND ANY INFRINGEMENT THEREUPON MAY BE SUBJECT TO LEGAL ACTION.	PROJECT MGR: WSM	SHT. 2	DWG. NO: SK-3	REV. 9
	CLIENT: EAGLE CARPORTS			

INSTALLATION NOTES AND SPECIFICATIONS

1. DESIGN IS FOR MAXIMUM 30'-0" WIDE x 20'-0" EAVE HEIGHT ENCLOSED STRUCTURES
2. DESIGN WAS DONE IN ACCORDANCE WITH ALL THE APPLICABLE BUILDING CODES LISTED ON SHEET 3A.
3. DESIGN LOADS ARE AS FOLLOWS:
 - A) DEAD LOAD = 15 PSF
 - B) LIVE LOAD = 12 PSF
 - C) GROUND SNOW LOAD = 35 PSF

NOTE: UNBALANCED LOADING DUE TO SNOW DRIFTING FROM AN ADJACENT TALLER STRUCTURE HAS NOT BEEN EVALUATED
4. 3-SECOND GUST ULTIMATE WIND SPEED (V_{ULT}) 105 TO 140 MPH (NOMINAL WIND SPEED 81 TO 108 MPH)
5. MAXIMUM RAFTER/POST AND END POST SPACING = 50 FEET (UNLESS NOTED OTHERWISE)
6. END WALL COLUMNS (POSTS) ARE EQUIVALENT TO SIDE WALL POSTS IN SIZE AND SPACING UNLESS NOTED OTHERWISE
7. RISK CATEGORY I
8. WIND EXPOSURE CATEGORY B/C
9. SPECIFICATIONS APPLICABLE TO 29 GAUGE METAL PANELS FASTENED DIRECTLY TO 2 1/2"x2 1/2"-14 GAUGE TUBE STEEL (TS) FRAMING MEMBERS
10. AVERAGE PANEL FASTENER SPACING ON-CENTERS = 10" O.C. (MAX)
11. FASTENERS CONSIST OF #12-14x3/4" SELF-DRILLING FASTENER (SDF), USE CONTROL SEAL WASHER WITH EXTERIOR FASTENERS. SPECIFICATIONS APPLICABLE ONLY FOR MEAN ROOF HEIGHT OF 20 FEET OR LESS, AND ROOF SLOPES OF 14" (3:12 PITCH) OR LESS. SPACING REQUIREMENTS FOR OTHER ROOF HEIGHTS AND/OR SLOPES MAY VARY. ROOF SLOPES LESS THAN 3:12 REQUIRE USE OF LAP JOINT SEALANT
12. ANCHORS SHALL BE INSTALLED THROUGH BASE RAIL AT OR WITHIN 6" OF EVERY RAFTER COLUMN
13. STANDARD GROUND ANCHORS (SOIL NAILS) CONSIST OF #4 REBAR W/ WELDED NUT x 36" LONG AND MAY BE USED IN SUITABLE SOILS. OPTIONAL ANCHORAGE MAY BE USED IN SUITABLE SOILS AND MUST BE USED IN UNSUITABLE SOILS AS NOTED
14. CONTRACTOR TO PROVIDE ADEQUATE BRACING FOR STRUCTURE SO THAT IT WILL BE STABLE DURING ALL STAGES OF CONSTRUCTION. THE STRUCTURE AND FOUNDATION ARE DESIGNED FOR A COMPLETED CONDITION ONLY AND, THEREFORE, REQUIRE ADDITIONAL SUPPORT TO MAINTAIN STABILITY BEFORE COMPLETION
15. WIND FORCES GOVERN OVER SEISMIC FORCES. SEISMIC PARAMETERS ANALYZED ARE:
 - SOIL SITE CLASS = D
 - RISK CATEGORY I
 - R= 325 $I_e = 1.0$
 - $S_{DS} = 2.039\ g$ $V = C_s W$
 - $S_{D1} = 1.258\ g$

Aug22-878

MOORE AND ASSOCIATES ENGINEERING AND CONSULTING, INC.	DRAWN BY: LT	EAGLE CARPORTS 210 AIRPORT ROAD MOUNT AIRY, NC 27030 30'-0"x20'-0" SP ENCLOSED STRUCTURE		
	CHECKED BY: PDH	PROJECT MGR: WSM	DATE: 8-19-21	SCALE: NTS
THIS DOCUMENT IS THE PROPERTY OF MOORE AND ASSOCIATES ENGINEERING AND CONSULTING. THE UNAUTHORIZED REPRODUCTION, COPYING, OR OTHERWISE USE OF THIS DOCUMENT IS STRICTLY PROHIBITED AND ANY INFRINGEMENT THEREUPON MAY BE SUBJECT TO LEGAL ACTION.	CLIENT: EAGLE CARPORTS	SHT. 3	DWG. NO: SK-3	JOB NO: 16166S/ 18260S/19320S/21169S REV: 9

LIST OF APPLICABLE BUILDING CODES

<p>2018 INTERNATIONAL BUILDING CODE (IBC 2018)</p> <p>2015 INTERNATIONAL BUILDING CODE (IBC 2015)</p> <p>2012 INTERNATIONAL BUILDING CODE (IBC 2012)</p> <p>2009 INTERNATIONAL BUILDING CODE (IBC 2009)</p> <p>2006 INTERNATIONAL BUILDING CODE (IBC 2006)</p> <p>BUILDING CODE 2015 OF ALABAMA (ADOPTS THE IBC 2015 WITH AMENDMENTS)</p> <p>2020 FLORIDA BUILDING CODE, 7TH EDITION</p> <p>GEORGIA STATE MINIMUM STANDARD BUILDING CODE (ADOPTS THE IBC 2018 WITH AMENDMENTS)</p> <p>INDIANA BUILDING CODE, 2014 EDITION (ADOPTS THE IBC 2012 WITH AMENDMENTS)</p> <p>BUILDING CODE 2018 OF KANSAS (ADOPTS THE IBC 2018 WITH AMENDMENTS)</p> <p>2018 KENTUCKY BUILDING CODE (ADOPTS THE IBC 2015 WITH AMENDMENTS)</p> <p>BUILDING CODE 2015 OF LOUISIANA (ADOPTS THE IBC 2015 WITH AMENDMENTS)</p> <p>BUILDING CODE 2018 OF MARYLAND (ADOPTS THE IBC 2018 WITH AMENDMENTS)</p> <p>BUILDING CODE 2015 OF NEW MEXICO (ADOPTS THE IBC 2015 WITH AMENDMENTS)</p> <p>2018 NORTH CAROLINA BUILDING CODE (ADOPTS THE IBC 2015 WITH AMENDMENTS)</p> <p>OHIO BUILDING CODE 2017 (ADOPTS THE 2015 WITH AMENDMENTS)</p> <p>BUILDING CODE 2015 OF OKLAHOMA (ADOPTS THE IBC 2015 WITH AMENDMENTS)</p>	<p>BUILDING CODE 2015 OF PENNSYLVANIA (ADOPTS THE IBC 2015 WITH AMENDMENTS)</p> <p>2018 SOUTH CAROLINA BUILDING CODE (ADOPTS THE IBC 2018 WITH AMENDMENTS)</p> <p>BUILDING CODE 2012 OF TENNESSEE (ADOPTS THE IBC 2012 WITH AMENDMENTS)</p> <p>BUILDING CODE OF THE TEXAS INDUSTRIALIZED HOUSING AND BUILDINGS PROGRAM (ADOPTS THE IBC 2015 WITH AMENDMENTS)</p> <p>2018 VIRGINIA CONSTRUCTION CODE (ADOPTS THE IBC 2015 WITH AMENDMENTS)</p> <p>BUILDING CODE 2015 OF WEST VIRGINIA (ADOPTS THE IBC 2015 WITH AMENDMENTS)</p>
---	--

**MOORE AND ASSOCIATES
ENGINEERING AND CONSULTING, INC.**

DRAWN BY: LT

CHECKED BY: PDH

PROJECT MGR: WSM

CLIENT: EAGLE CARPORTS

EAGLE CARPORTS
210 AIRPORT ROAD
MOUNT AIRY, NC 27030
30'-0"x20'-0" SP ENCLOSED STRUCTURE

DATE: 8-19-21

SCALE: NTS

SHT. 3A

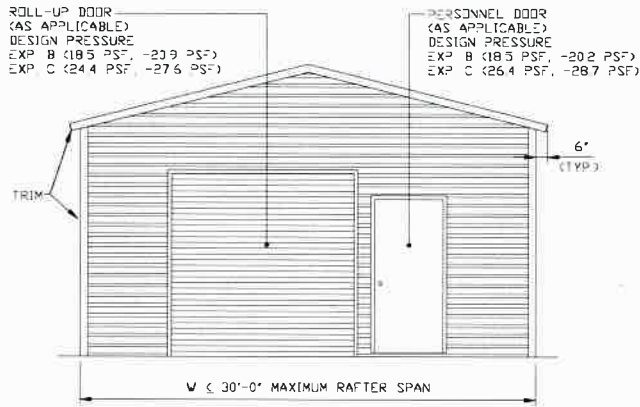
DWG. NO: SK-3

**JOB NO: 16166S/
18260S/19320S/21169S**

REV: 9

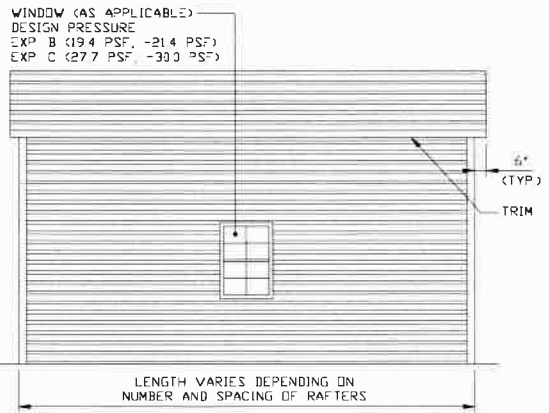
THIS DOCUMENT IS THE PROPERTY OF MOORE AND ASSOCIATES ENGINEERING AND CONSULTING. THE UNAUTHORIZED REPRODUCTION, COPYING, OR OTHERWISE USE OF THIS DOCUMENT IS STRICTLY PROHIBITED AND ANY INFRINGEMENT THEREUPON MAY BE SUBJECT TO LEGAL ACTION.

BOX EAVE FRAME RAFTER STRUCTURE



TYPICAL END ELEVATION

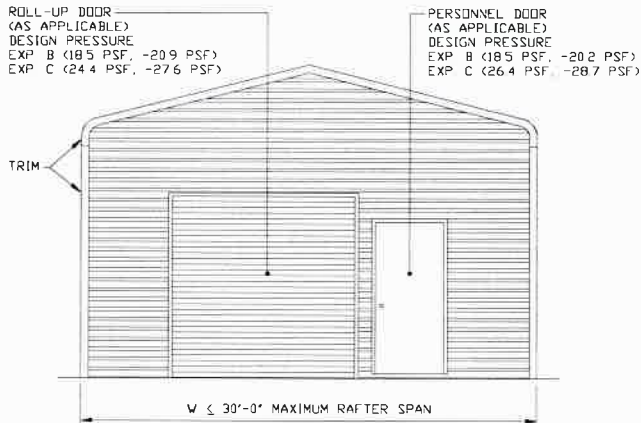
SCALE: NTS



TYPICAL SIDE ELEVATION

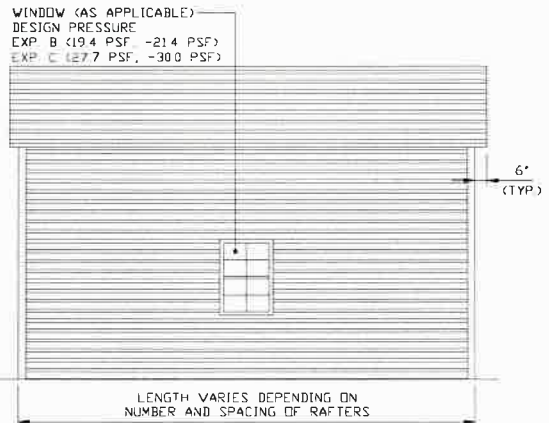
SCALE: NTS

BOW FRAME RAFTER STRUCTURE



TYPICAL END ELEVATION

SCALE: NTS



TYPICAL SIDE ELEVATION

SCALE: NTS

**MOORE AND ASSOCIATES
ENGINEERING AND CONSULTING, INC.**

DRAWN BY: LT

CHECKED BY: PDH

PROJECT MGR: WSM

CLIENT: EAGLE CARPORTS

EAGLE CARPORTS
210 AIRPORT ROAD
MOUNT AIRY, NC 27030
30'-0"x20'-0" SP ENCLOSED STRUCTURE

DATE: 8-19-21

SCALE: NTS

DWG. NO: SK-3

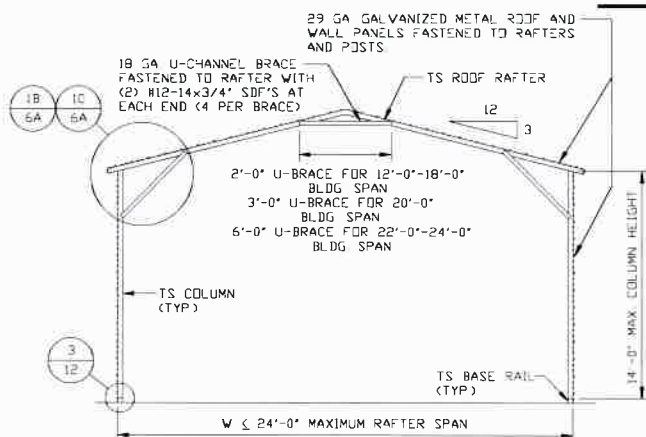
JOB NO: 16166S/
18260S/19320S/21169S

REV: 9

THIS DOCUMENT IS THE PROPERTY OF MOORE AND ASSOCIATES ENGINEERING AND CONSULTING. THE UNAUTHORIZED REPRODUCTION, COPYING, OR OTHERWISE USE OF THIS DOCUMENT IS STRICTLY PROHIBITED AND ANY INFRINGEMENT THEREUPON MAY BE SUBJECT TO LEGAL ACTION.

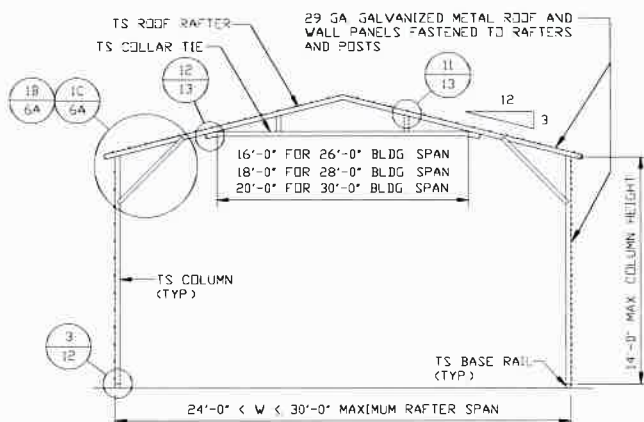
SHT. 4

EXPOSURE B



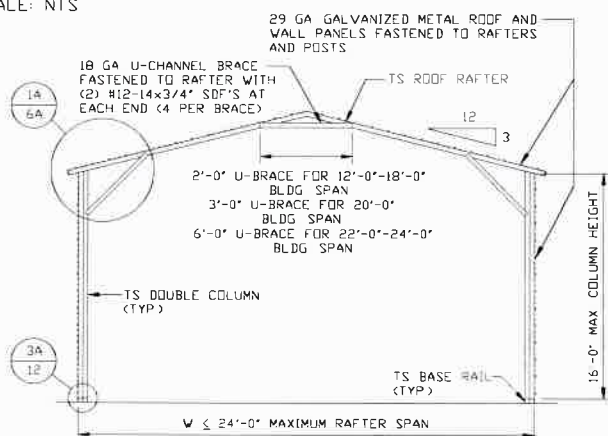
TYPICAL RAFTER/COLUMN END FRAME SECTION

SCALE: NTS



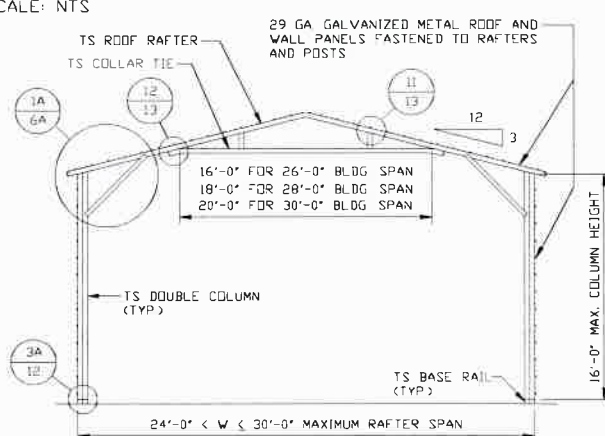
TYPICAL RAFTER/COLUMN END FRAME SECTION

SCALE: NTS



TYPICAL RAFTER/COLUMN END FRAME SECTION

SCALE: NTS



TYPICAL RAFTER/COLUMN END FRAME SECTION

SCALE: NTS

**MOORE AND ASSOCIATES
ENGINEERING AND CONSULTING, INC.**

DRAWN BY: LT

CHECKED BY: PDH

PROJECT MGR: VSM

CLIENT: EAGLE CARPORTS

**EAGLE CARPORTS
210 AIRPORT ROAD
MOUNT AIRY, NC 27030
30'-0"x20'-0" SP ENCLOSED STRUCTURE**

DATE: 8-19-21

SHT. 5

SCALE: NTS

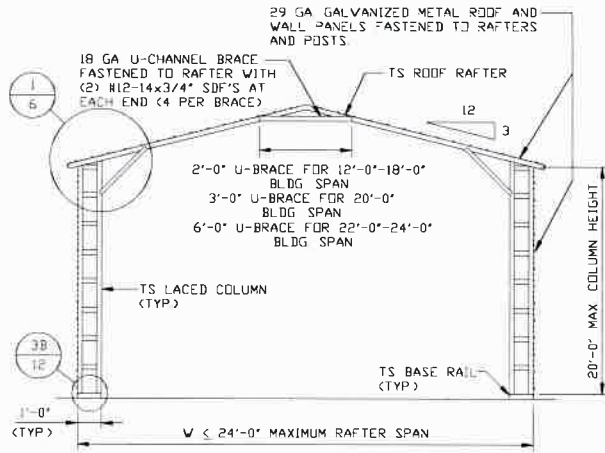
DWG. NO: SK-3

**JOB NO: 16166S/
18260S/19320S/21169S**

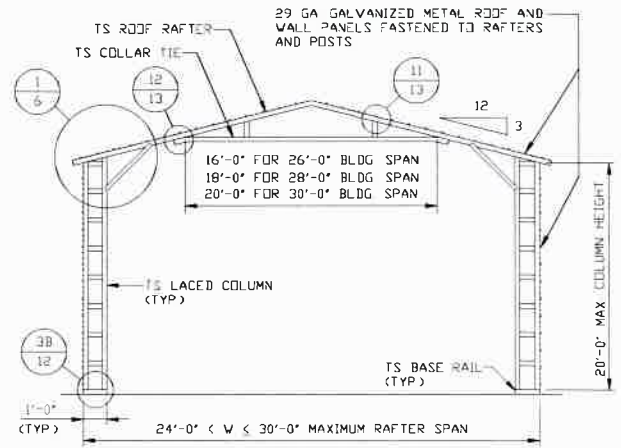
REV: 9

THIS DOCUMENT IS THE PROPERTY OF MOORE AND ASSOCIATES ENGINEERING AND CONSULTING. THE UNAUTHORIZED REPRODUCTION, COPYING, OR OTHERWISE USE OF THIS DOCUMENT IS STRICTLY PROHIBITED AND ANY INFRINGEMENT THEREUPON MAY BE SUBJECT TO LEGAL ACTION.

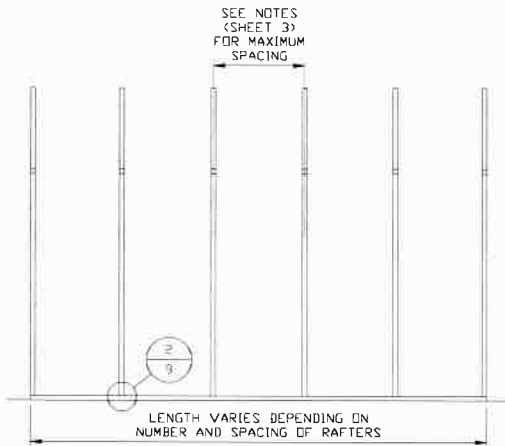
EXPOSURE B



TYPICAL RAFTER/COLUMN END FRAME SECTION
SCALE: NTS



TYPICAL RAFTER/COLUMN END FRAME SECTION
SCALE: NTS



TYPICAL RAFTER/COLUMN SIDE FRAMING SECTION
SCALE: NTS

**MOORE AND ASSOCIATES
ENGINEERING AND CONSULTING, INC.**

DRAWN BY: LT

CHECKED BY: PDH

PROJECT MGR: WSM

CLIENT: EAGLE CARPORTS

**EAGLE CARPORTS
210 AIRPORT ROAD
MOUNT AIRY, NC 27030
30'-0"x20'-0" SP ENCLOSED STRUCTURE**

DATE: 8-19-21

SCALE: NTS

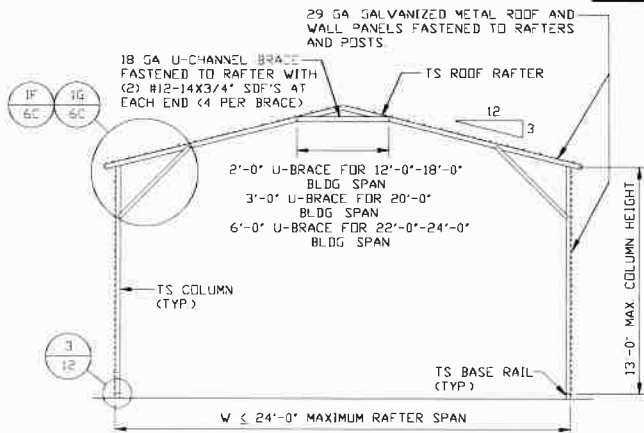
DWG. NO: SK-3

**JOB NO: 16166S/
18260S/19320S/21169S**

REV: 9

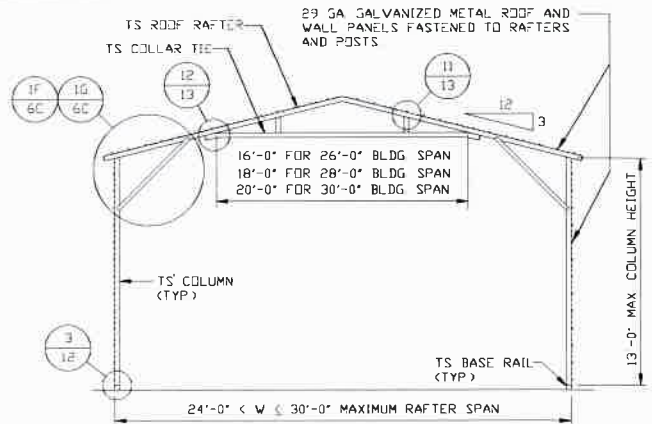
THIS DOCUMENT IS THE PROPERTY OF MOORE AND ASSOCIATES ENGINEERING AND CONSULTING. THE UNAUTHORIZED REPRODUCTION, COPYING, OR OTHERWISE USE OF THIS DOCUMENT IS STRICTLY PROHIBITED AND ANY INFRINGEMENT THEREUPON MAY BE SUBJECT TO LEGAL ACTION.

EXPOSURE C



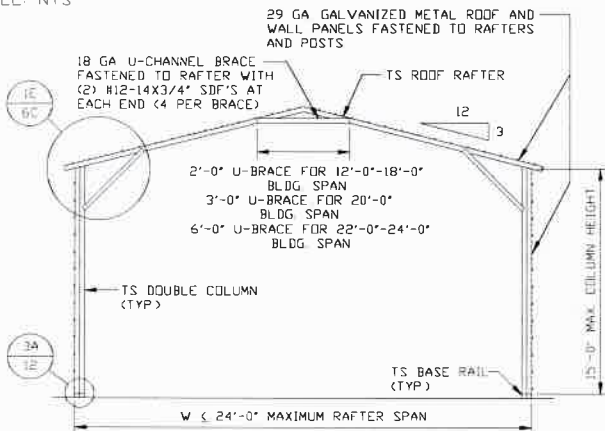
TYPICAL RAFTER/COLUMN END FRAME SECTION

SCALE: NTS



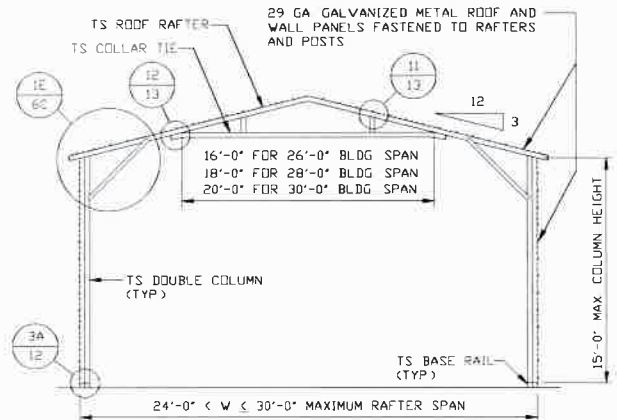
TYPICAL RAFTER/COLUMN END FRAME SECTION

SCALE: NTS



TYPICAL RAFTER/COLUMN END FRAME SECTION

SCALE: NTS



TYPICAL RAFTER/COLUMN END FRAME SECTION

SCALE: NTS

**MOORE AND ASSOCIATES
ENGINEERING AND CONSULTING, INC.**

DRAWN BY: LT

CHECKED BY: PDH

PROJECT MGR: WSM

CLIENT: EAGLE CARPORTS

EAGLE CARPORTS
 210 AIRPORT ROAD
 MOUNT AIRY, NC 27030
 30'-0"x20'-0" SP ENCLOSED STRUCTURE

DATE: 8-19-21

SCALE: NTS

JOB NO: 16166S/
18260S/19320S/21169S

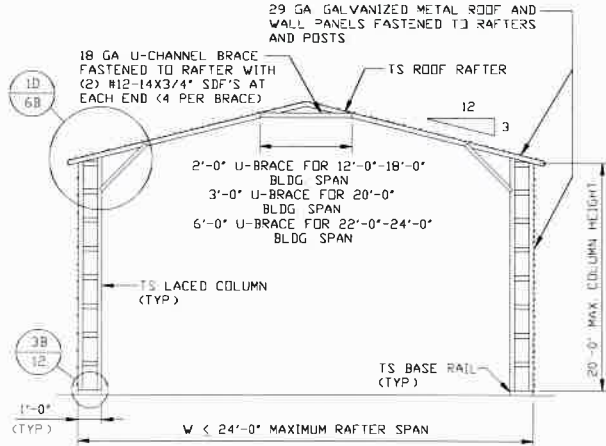
DWG. NO: SK-3

REV: 9

SHT. 5B

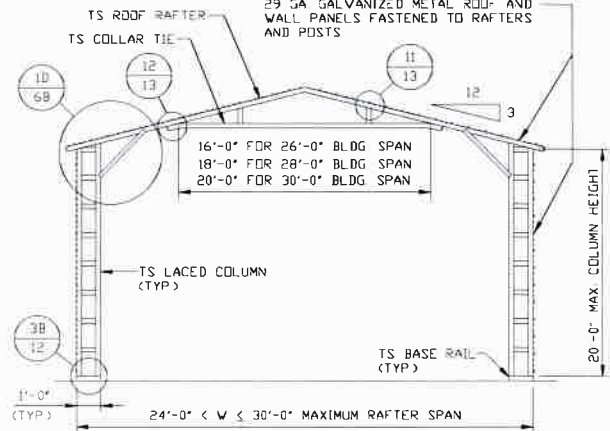
THIS DOCUMENT IS THE PROPERTY OF MOORE AND ASSOCIATES ENGINEERING AND CONSULTING. THE UNAUTHORIZED REPRODUCTION, COPYING, OR OTHERWISE USE OF THIS DOCUMENT IS STRICTLY PROHIBITED AND ANY INFRINGEMENT THEREUPON MAY BE SUBJECT TO LEGAL ACTION.

EXPOSURE C



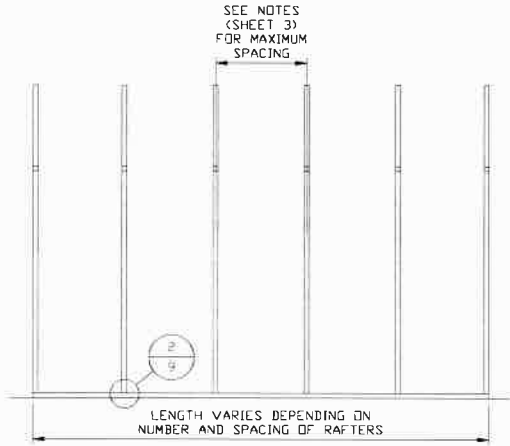
TYPICAL RAFTER/COLUMN END FRAME SECTION

SCALE: NTS



TYPICAL RAFTER/COLUMN END FRAME SECTION

SCALE: NTS



TYPICAL RAFTER/COLUMN SIDE FRAMING SECTION

SCALE: NTS

**MOORE AND ASSOCIATES
ENGINEERING AND CONSULTING, INC.**

DRAWN BY: LT

CHECKED BY: PDH

PROJECT MGR: WSM

CLIENT: EAGLE CARPORTS

**EAGLE CARPORTS
210 AIRPORT ROAD
MOUNT AIRY, NC 27030
30'-0" x 20'-0" SP ENCLOSED STRUCTURE**

DATE: 8-19-21

SCALE: NTS

DWG. NO: SK-3

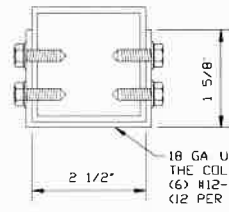
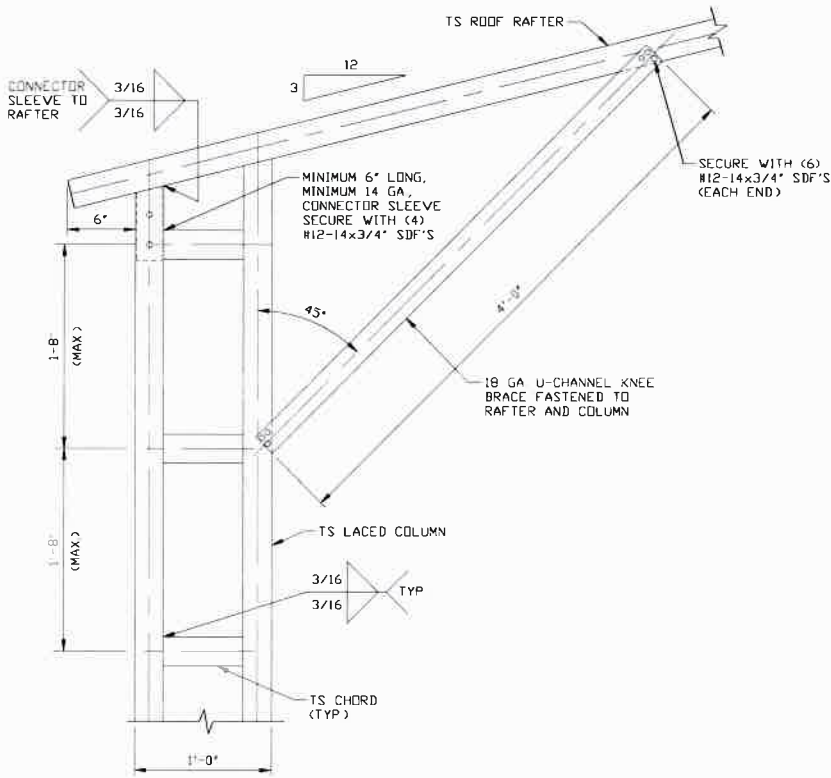
**JOB NO: 16166S/
18260S/19320S/21169S**

SHT. 5C

REV: 9

THIS DOCUMENT IS THE PROPERTY OF MOORE AND ASSOCIATES ENGINEERING AND CONSULTING. THE UNAUTHORIZED REPRODUCTION, COPYING, OR OTHERWISE USE OF THIS DOCUMENT IS STRICTLY PROHIBITED AND ANY INFRINGEMENT THEREUPON MAY BE SUBJECT TO LEGAL ACTION.

EXPOSURE B

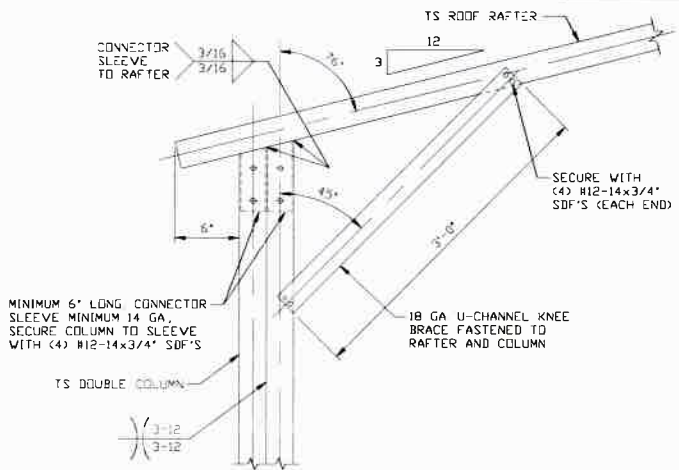


BRACE SECTION
SCALE: NTS

1 BOX EAVE RAFTER COLUMN CONNECTION
DETAIL FOR HEIGHTS 16'-0" < TO ≤ 20'-0"
SCALE: NTS

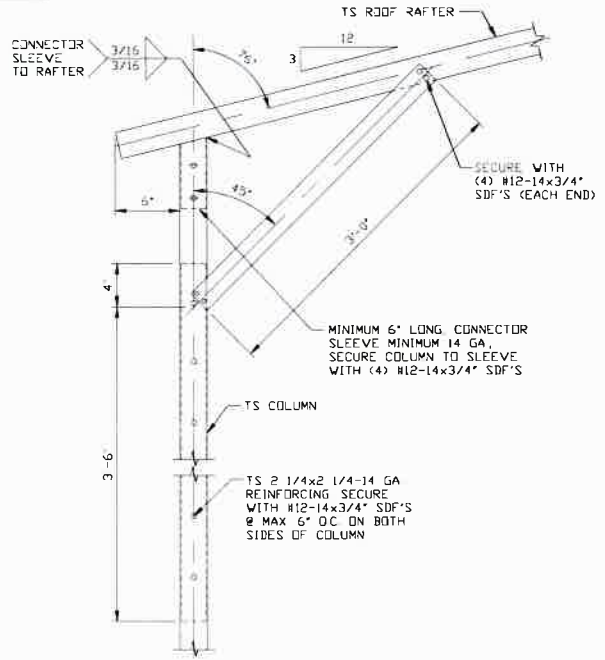
MOORE AND ASSOCIATES ENGINEERING AND CONSULTING, INC.	DRAWN BY: LT		EAGLE CARPORTS 210 AIRPORT ROAD MOUNT AIRY, NC 27030	
	CHECKED BY: PDH		30'-0"x20'-0" SP ENCLOSED STRUCTURE	
THIS DOCUMENT IS THE PROPERTY OF MOORE AND ASSOCIATES ENGINEERING AND CONSULTING. THE UNAUTHORIZED REPRODUCTION, COPYING, OR OTHERWISE USE OF THIS DOCUMENT IS STRICTLY PROHIBITED AND ANY INFRINGEMENT THEREUPON MAY BE SUBJECT TO LEGAL ACTION.	PROJECT MGR: WSM	DATE: 8-19-21	SCALE: NTS	JOB NO: 16166S/ 18260S/19320S/21169S
	CLIENT: EAGLE CARPORTS	SHT. 6	DWG. NO: SK-3	REV: 9

EXPOSURE B



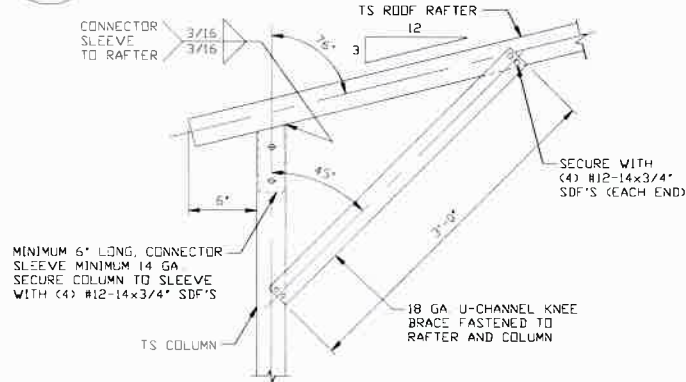
**BOX EAVE RAFTER COLUMN CONNECTION
DETAIL FOR HEIGHTS 14'-0" < TO <= 16'-0"
WITH 10 PSF < TO <= 35 PSF SNOW LOAD
AND <= 105 MPH WIND SPEED
(12'-0" < TO <= 16'-0" WITH <= 10 PSF
SNOW LOAD AND 105 MPH < TO <= 140 MPH
WIND SPEED)**

1A
SCALE: NTS



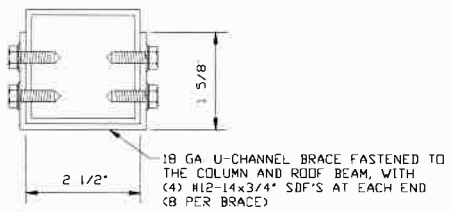
**BOX EAVE RAFTER COLUMN CONNECTION
DETAIL FOR HEIGHTS 12'-0" < TO <= 14'-0"
WITH 10 PSF < TO <= 35 PSF SNOW LOAD
AND <= 105 MPH WIND SPEED
(11'-0" < TO <= 12'-0" WITH <= 10 PSF
SNOW LOAD AND 105 MPH < TO <= 140 MPH
WIND SPEED)**

1B
SCALE: NTS



**BOX EAVE RAFTER COLUMN CONNECTION
DETAIL FOR HEIGHTS <= 12'-0"
WITH 10 PSF < TO <= 35 PSF SNOW LOAD
<= 11'-0" WITH <= 10 PSF SNOW LOAD AND
105 MPH < TO <= 140 MPH WIND SPEED**

1C
SCALE: NTS



BRACE SECTION
SCALE: NTS

**MOORE AND ASSOCIATES
ENGINEERING AND CONSULTING, INC.**

DRAWN BY: LT
CHECKED BY: PDH
PROJECT MGR: WSM
CLIENT: EAGLE CARPORTS

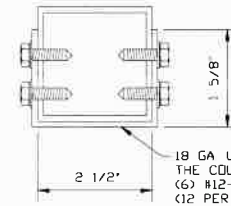
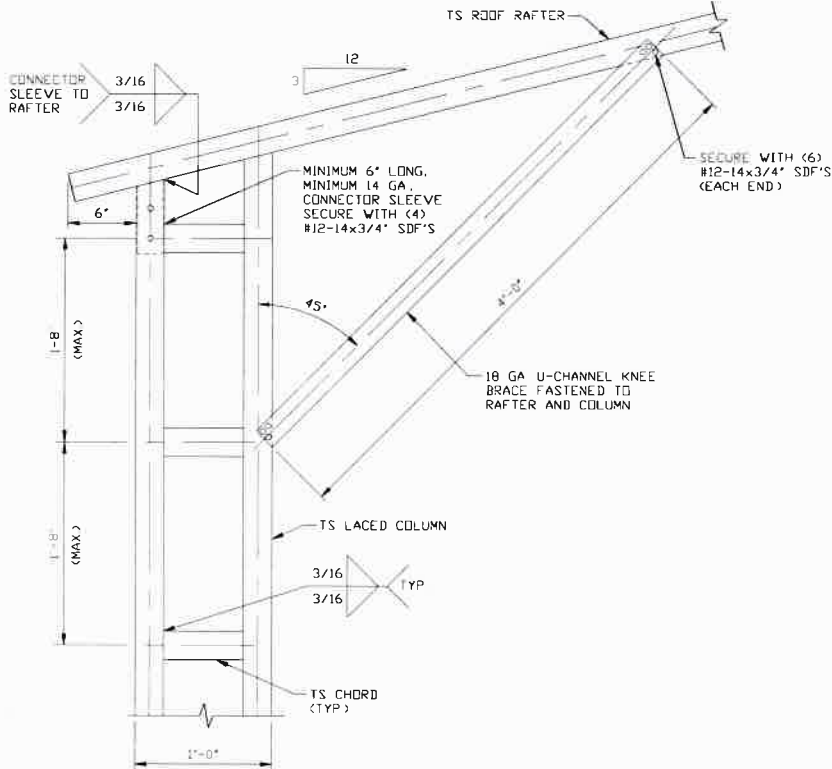
EAGLE CARPORTS
210 AIRPORT ROAD
MOUNT AIRY, NC 27030
30-0"x20'-0" SP ENCLOSED STRUCTURE

DATE: 8-19-21
SCALE: NTS
DWG. NO: SK-3

**JOB NO: 16166S/
18260S/19320S/21169S**
REV: 9

THIS DOCUMENT IS THE PROPERTY OF MOORE AND ASSOCIATES ENGINEERING AND CONSULTING. THE UNAUTHORIZED REPRODUCTION, COPYING, OR OTHERWISE USE OF THIS DOCUMENT IS STRICTLY PROHIBITED AND ANY INFRINGEMENT THEREUPON MAY BE SUBJECT TO LEGAL ACTION.

EXPOSURE C



BRACE SECTION
SCALE: NTS

**BOX EAVE RAFTER COLUMN CONNECTION
DETAIL FOR HEIGHTS 15'-0" < TO ≤ 20'-0"**

1D

SCALE: NTS

**MOORE AND ASSOCIATES
ENGINEERING AND CONSULTING, INC.**

DRAWN BY: LT

CHECKED BY: PDH

PROJECT MGR: WSM

CLIENT: EAGLE CARPORTS

EAGLE CARPORTS
210 AIRPORT ROAD
MOUNT AIRY, NC 27030
30-0"x20'-0" SP ENCLOSED STRUCTURE

DATE: 8-19-21

SCALE: NTS

JOB NO: 16166S/
18260S/19320S/21169S

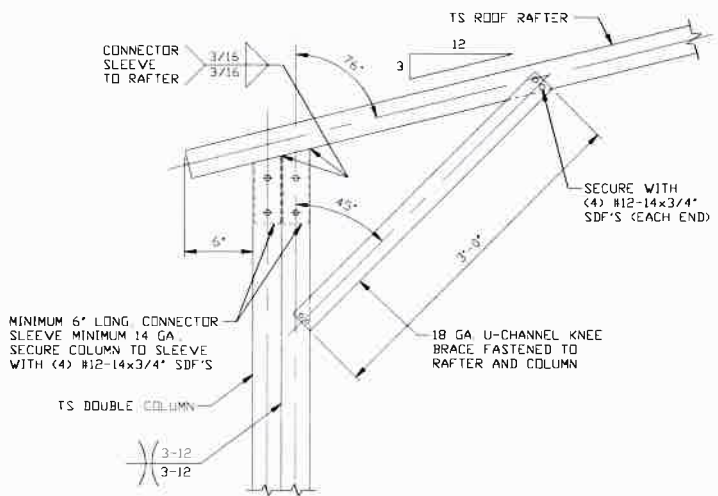
SHT. 6B

DWG. NO: SK-3

REV: 9

THIS DOCUMENT IS THE PROPERTY OF MOORE AND ASSOCIATES ENGINEERING AND CONSULTING. THE UNAUTHORIZED REPRODUCTION, COPYING, OR OTHERWISE USE OF THIS DOCUMENT IS STRICTLY PROHIBITED AND ANY INFRINGEMENT THEREUPON MAY BE SUBJECT TO LEGAL ACTION.

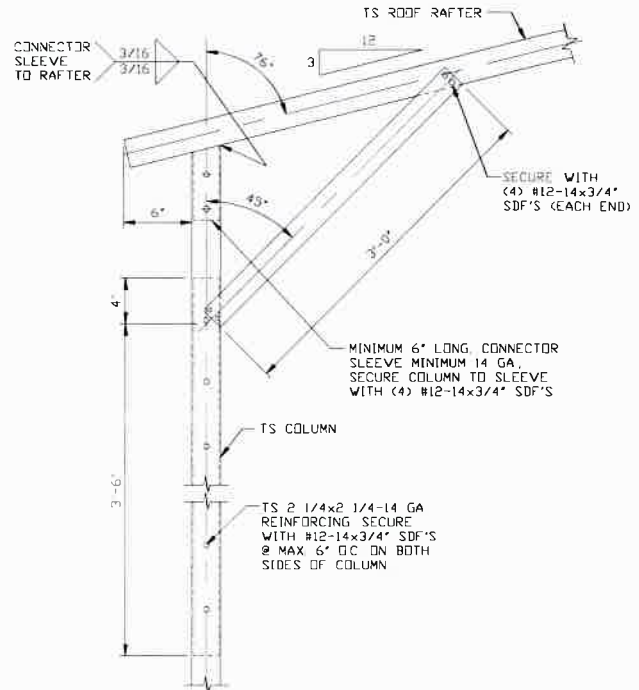
EXPOSURE C



**BOX EAVE RAFTER COLUMN CONNECTION
DETAIL FOR HEIGHTS 13'-0" < TO ≤ 15'-0"
WITH 10 PSF < TO ≤ 35 PSF SNOW LOAD
AND ≤ 105 MPH WIND SPEED
(10'-0" < TO ≤ 15'-0" WITH ≤ 10 PSF
SNOW LOAD AND 105 MPH < TO ≤ 140 MPH
WIND SPEED)**

1E

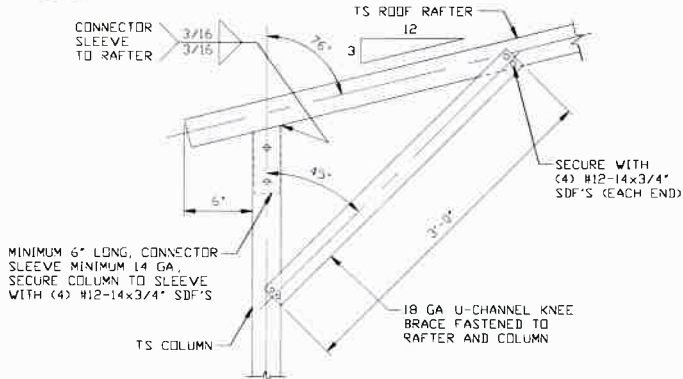
SCALE: NTS



**BOX EAVE RAFTER COLUMN CONNECTION
DETAIL FOR HEIGHTS 11'-0" < TO ≤ 13'-0"
WITH 10 PSF < TO ≤ 35 PSF SNOW LOAD
AND ≤ 105 MPH WIND SPEED
(9'-0" < TO ≤ 10'-0" WITH ≤ 10 PSF SNOW
LOAD AND 105 MPH < TO ≤ 140 MPH WIND
SPEED)**

1F

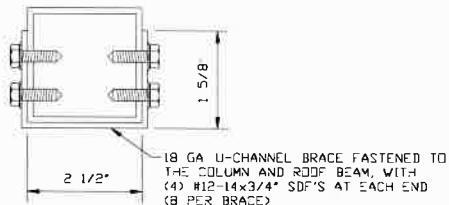
SCALE: NTS



**BOX EAVE RAFTER COLUMN CONNECTION
DETAIL FOR HEIGHTS ≤ 11'-0"
WITH 10 PSF < TO ≤ 35 PSF SNOW LOAD
< 9'-0" WITH ≤ 10 PSF SNOW LOAD AND
105 MPH < TO ≤ 140 MPH WIND SPEED**

1G

SCALE: NTS



BRACE SECTION

SCALE: NTS

**MOORE AND ASSOCIATES
ENGINEERING AND CONSULTING, INC.**

DRAWN BY: LT

CHECKED BY: PDH

PROJECT MGR: WSM

CLIENT: EAGLE CARPORTS

EAGLE CARPORTS
210 AIRPORT ROAD
MOUNT AIRY, NC 27030
30'-0"x20'-0" SP ENCLOSED STRUCTURE

DATE: 8-19-21

SHT. 6C

SCALE: NTS

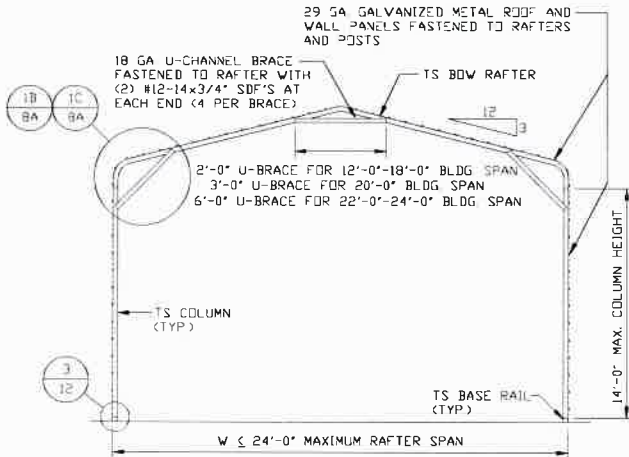
DWG. NO: SK-3

JOB NO: 16166S/
18260S/19320S/21169S

REV: 9

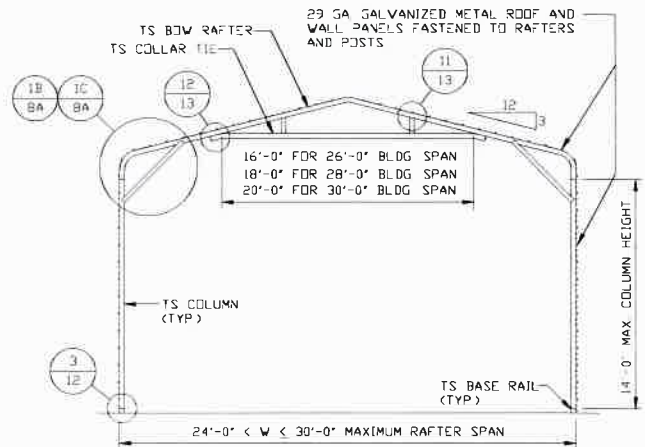
THIS DOCUMENT IS THE PROPERTY OF MOORE AND ASSOCIATES ENGINEERING AND CONSULTING. THE UNAUTHORIZED REPRODUCTION, COPYING, OR OTHERWISE USE OF THIS DOCUMENT IS STRICTLY PROHIBITED AND ANY INFRINGEMENT THEREUPON MAY BE SUBJECT TO LEGAL ACTION.

EXPOSURE B



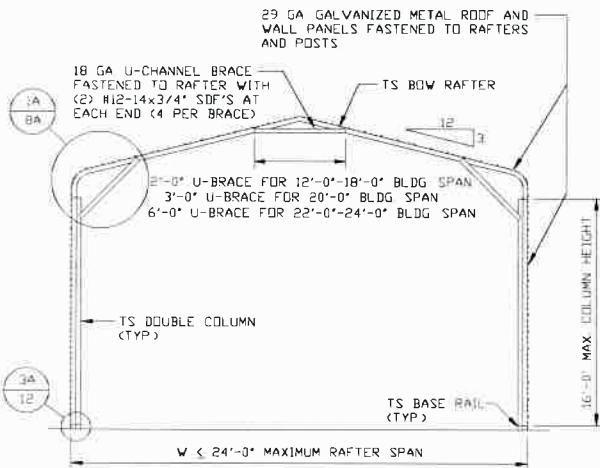
TYPICAL RAFTER/COLUMN END FRAME SECTION

SCALE: NTS



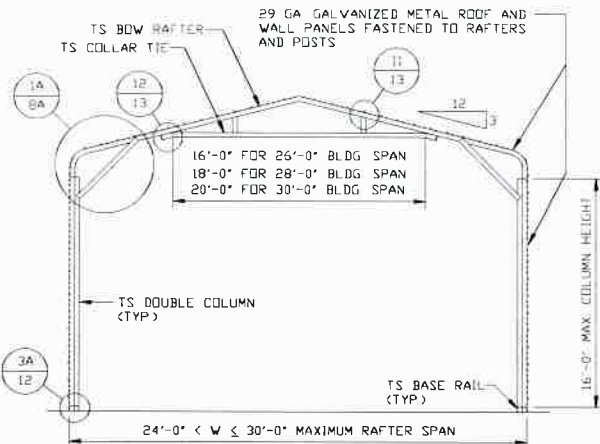
TYPICAL RAFTER/COLUMN END FRAME SECTION

SCALE: NTS



TYPICAL RAFTER/COLUMN END FRAME SECTION

SCALE: NTS



TYPICAL RAFTER/COLUMN END FRAME SECTION

SCALE: NTS

**MOORE AND ASSOCIATES
ENGINEERING AND CONSULTING, INC.**

DRAWN BY: LT

CHECKED BY: PDH

PROJECT MGR: WSM

CLIENT: EAGLE CARPORTS

EAGLE CARPORTS
210 AIRPORT ROAD
MOUNT AIRY, NC 27030
30'-0"x20'-0" SP ENCLOSED STRUCTURE

DATE: 8-19-21

SHT. 7

SCALE: NTS

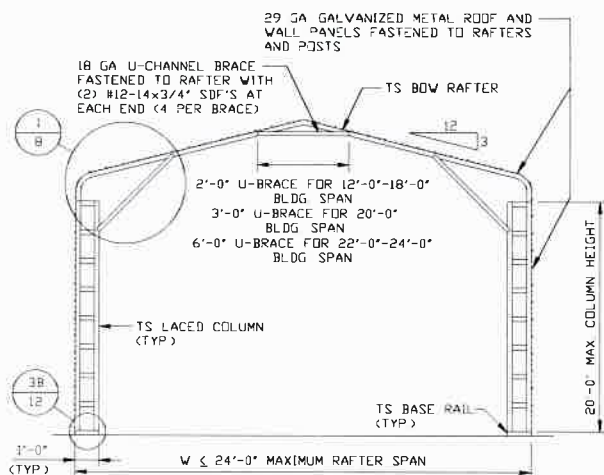
DWG. NO: SK-3

JOB NO: 16166S/
18260S/19320S/21169S

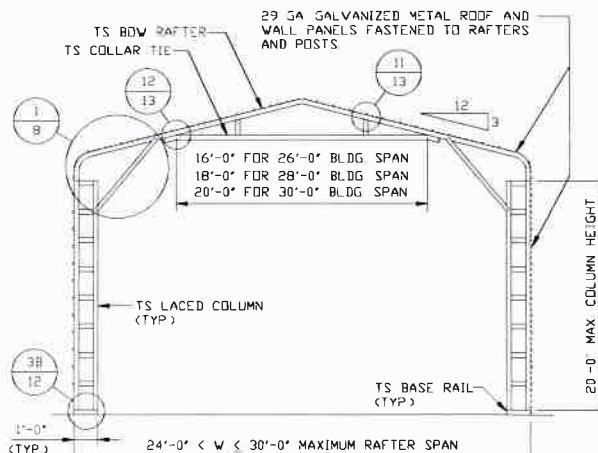
REV: 9

THIS DOCUMENT IS THE PROPERTY OF MOORE AND ASSOCIATES ENGINEERING AND CONSULTING. THE UNAUTHORIZED REPRODUCTION, COPYING, OR OTHERWISE USE OF THIS DOCUMENT IS STRICTLY PROHIBITED AND ANY INFRINGEMENT THEREUPON MAY BE SUBJECT TO LEGAL ACTION.

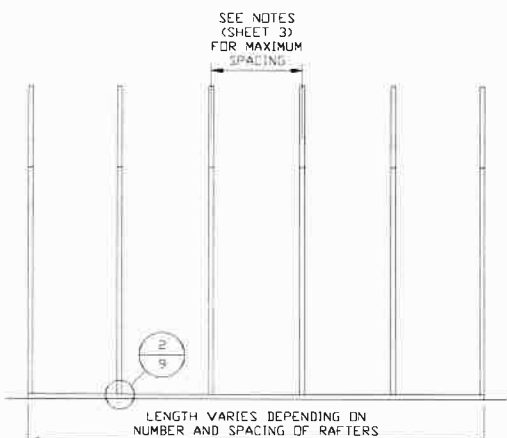
EXPOSURE B



TYPICAL RAFTER/COLUMN END FRAME SECTION
SCALE: NTS



TYPICAL RAFTER/COLUMN END FRAME SECTION
SCALE: NTS



TYPICAL RAFTER/COLUMN FRAMING SIDE SECTION
SCALE: NTS

**MOORE AND ASSOCIATES
ENGINEERING AND CONSULTING, INC.**

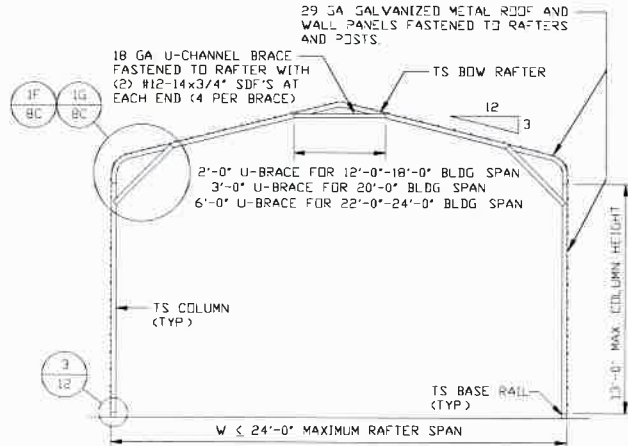
DRAWN BY: LT
CHECKED BY: PDH

EAGLE CARPORTS
210 AIRPORT ROAD
MOUNT AIRY, NC 27030
30'-0"x20'-0" SP ENCLOSED STRUCTURE

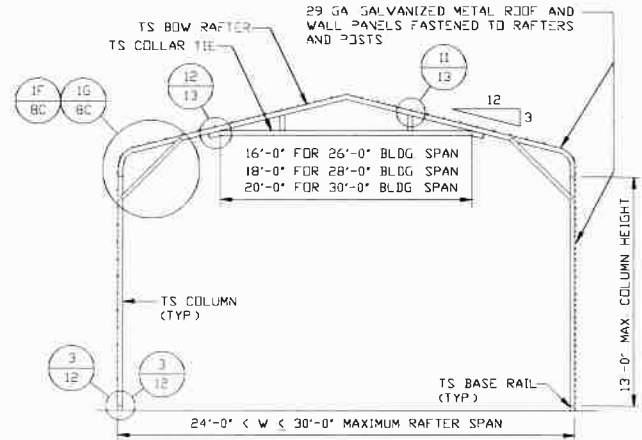
THIS DOCUMENT IS THE PROPERTY OF MOORE AND ASSOCIATES ENGINEERING AND CONSULTING. THE UNAUTHORIZED REPRODUCTION, COPYING, OR OTHERWISE USE OF THIS DOCUMENT IS STRICTLY PROHIBITED AND ANY INFRINGEMENT THEREUPON MAY BE SUBJECT TO LEGAL ACTION.

PROJECT MGR: WSM	DATE: 8-19-21	SCALE: NTS	JOB NO: 16166S/ 18260S/19320S/21169S
CLIENT: EAGLE CARPORTS	SHT. 7A	DWG. NO: SK-3	REV. 9

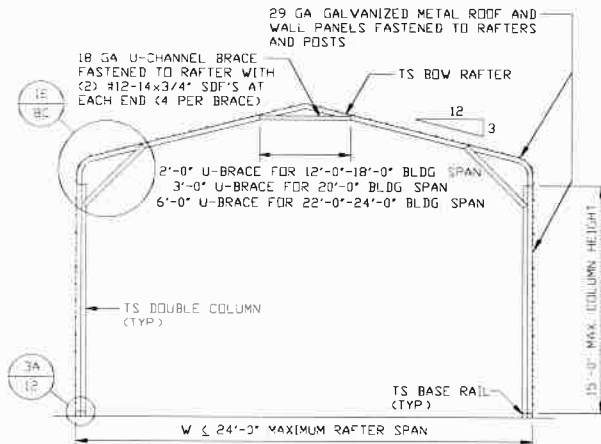
EXPOSURE C



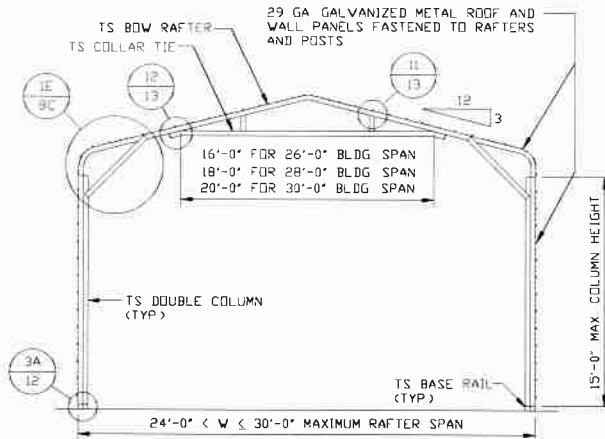
TYPICAL RAFTER/COLUMN END FRAME SECTION
SCALE: NTS



TYPICAL RAFTER/COLUMN END FRAME SECTION
SCALE: NTS



TYPICAL RAFTER/COLUMN END FRAME SECTION
SCALE: NTS



TYPICAL RAFTER/COLUMN END FRAME SECTION
SCALE: NTS

**MOORE AND ASSOCIATES
ENGINEERING AND CONSULTING, INC.**

DRAWN BY: LT

CHECKED BY: PDH

PROJECT MGR: WSM

CLIENT: EAGLE CARPORTS

**EAGLE CARPORTS
210 AIRPORT ROAD
MOUNT AIRY, NC 27030
30'-0"x20'-0" SP ENCLOSED STRUCTURE**

DATE: 8-19-21

SHT. 7B

SCALE: NTS

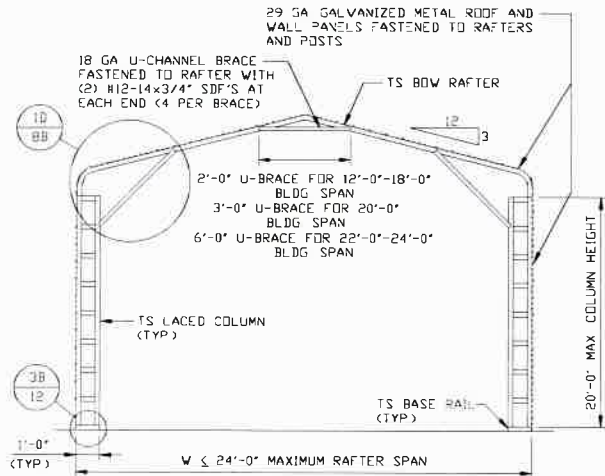
DWG. NO: SK-3

**JOB NO: 16166S/
18260S/19320S/21169S**

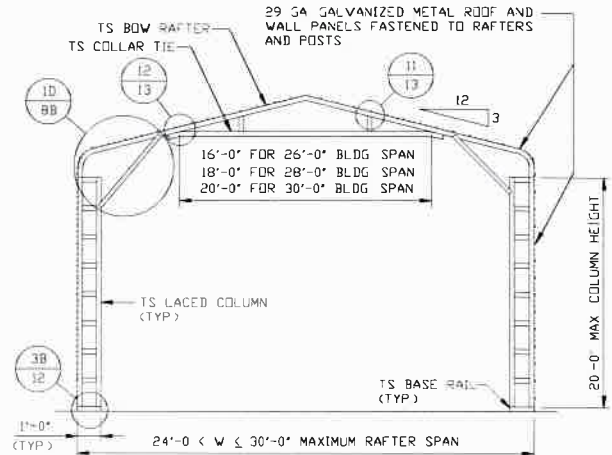
REV: 9

THIS DOCUMENT IS THE PROPERTY OF MOORE AND ASSOCIATES ENGINEERING AND CONSULTING. THE UNAUTHORIZED REPRODUCTION, COPYING, OR OTHERWISE USE OF THIS DOCUMENT IS STRICTLY PROHIBITED AND ANY INFRINGEMENT THEREUPON MAY BE SUBJECT TO LEGAL ACTION.

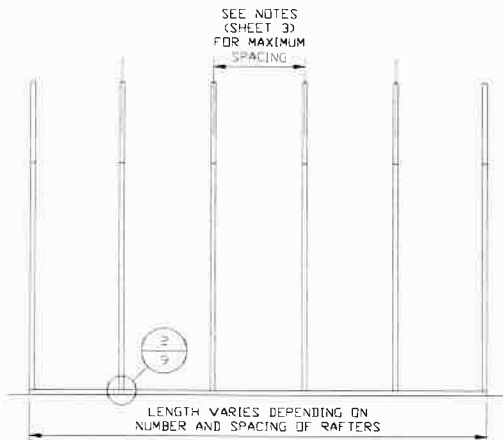
EXPOSURE C



TYPICAL RAFTER/COLUMN END FRAME SECTION
SCALE: NTS



TYPICAL RAFTER/COLUMN END FRAME SECTION
SCALE: NTS



TYPICAL RAFTER/COLUMN FRAMING SIDE SECTION
SCALE: NTS

**MOORE AND ASSOCIATES
ENGINEERING AND CONSULTING, INC.**

DRAWN BY: LT

CHECKED BY: PDH

PROJECT MGR: WSM

CLIENT: EAGLE CARPORTS

**EAGLE CARPORTS
210 AIRPORT ROAD
MOUNT AIRY, NC 27030
30'-0"x20'-0" SP ENCLOSED STRUCTURE**

DATE: 8-19-21

SHT. 7C

SCALE: NTS

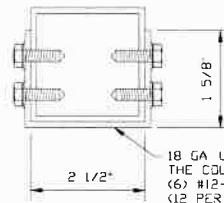
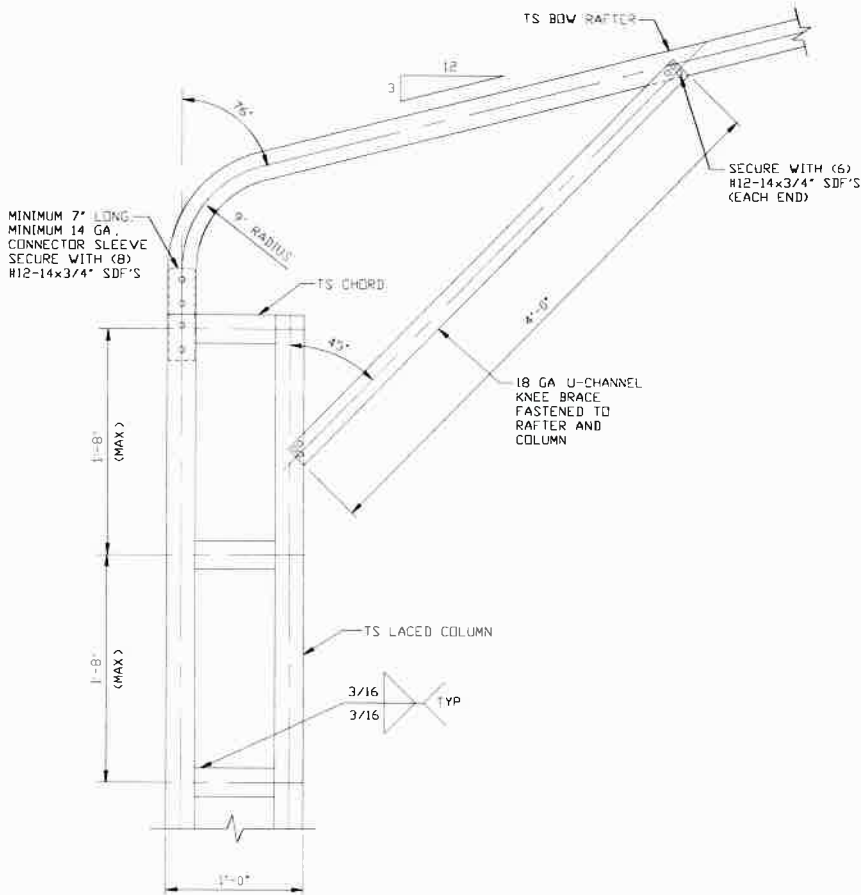
DWG. NO: SK-3

**JOB NO: 16166S/
18260S/19320S/21169S**

REV: 9

THIS DOCUMENT IS THE PROPERTY OF MOORE AND ASSOCIATES ENGINEERING AND CONSULTING. THE UNAUTHORIZED REPRODUCTION, COPYING, OR OTHERWISE USE OF THIS DOCUMENT IS STRICTLY PROHIBITED AND ANY INFRINGEMENT THEREUPON MAY BE SUBJECT TO LEGAL ACTION.

EXPOSURE B



BRACE SECTION

SCALE: NTS

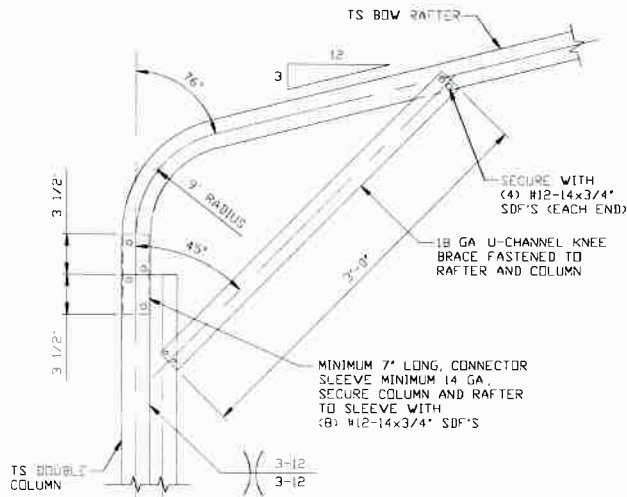
1 BOW RAFTER COLUMN CONNECTION DETAIL FOR HEIGHTS 16'-0" < TO ≤ 20'-0"
SCALE: NTS

**MOORE AND ASSOCIATES
ENGINEERING AND CONSULTING, INC.**

DRAWN BY: LT	EAGLE CARPORTS 210 AIRPORT ROAD MOUNT AIRY, NC 27030 30'-0"x20'-0" SP ENCLOSED STRUCTURE		
CHECKED BY: PDH			
PROJECT MGR: WSM	DATE: 8-19-21	SCALE: NTS	JOB NO: 16166S/ 18260S/19320S/21169S
CLIENT: EAGLE CARPORTS	SHT. 8	DWG. NO: SK-3	REV. 9

THIS DOCUMENT IS THE PROPERTY OF MOORE AND ASSOCIATES ENGINEERING AND CONSULTING. THE UNAUTHORIZED REPRODUCTION, COPYING, OR OTHERWISE USE OF THIS DOCUMENT IS STRICTLY PROHIBITED AND ANY INFRINGEMENT THEREUPON MAY BE SUBJECT TO LEGAL ACTION.

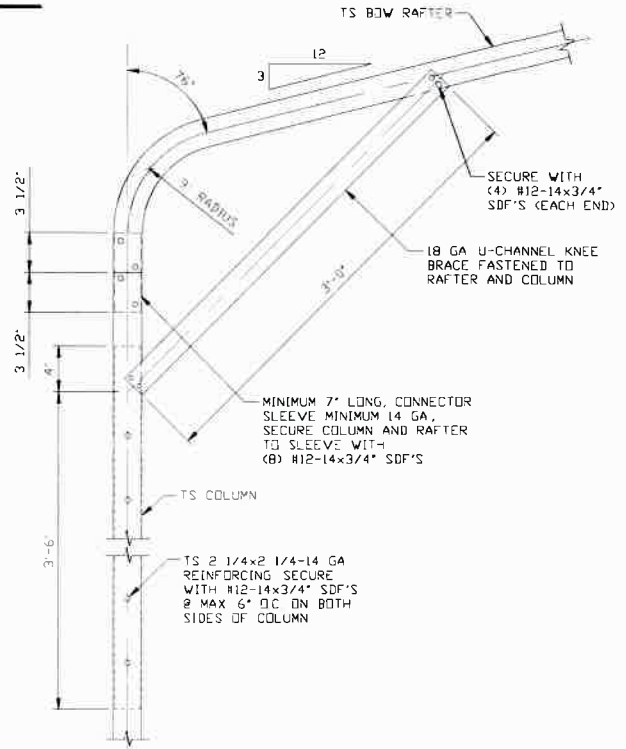
EXPOSURE B



**BOX EAVE RAFTER COLUMN CONNECTION
DETAIL FOR HEIGHTS 14'-0" < TO <= 16'-0"
WITH 10 PSF < TO <= 35 PSF SNOW LOAD
AND <= 105 MPH WIND SPEED
(12'-0" < TO <= 16'-0" WITH <= 10 PSF
SNOW LOAD AND 105 MPH < TO <= 140 MPH
WIND SPEED)**

1A

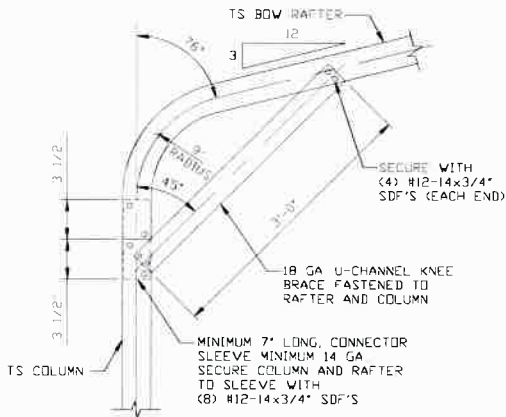
SCALE: NTS



**BOX EAVE RAFTER COLUMN CONNECTION
DETAIL FOR HEIGHTS 12'-0" < TO <= 14'-0"
WITH 10 PSF < TO <= 35 PSF SNOW LOAD
AND <= 105 MPH WIND SPEED
(11'-0" < TO <= 12'-0" WITH <= 10 PSF
SNOW LOAD AND 105 MPH < TO <= 140 MPH
WIND SPEED)**

1B

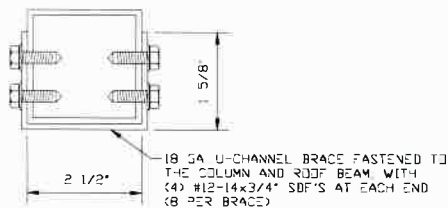
SCALE: NTS



**BOX EAVE RAFTER COLUMN CONNECTION
DETAIL FOR HEIGHTS <= 12'-0"
WITH 10 PSF < TO <= 35 PSF SNOW LOAD
<= 11'-0" WITH <= 10 PSF SNOW LOAD AND
105 MPH < TO <= 140 MPH WIND SPEED**

1C

SCALE: NTS



BRACE SECTION

SCALE: NTS

**MOORE AND ASSOCIATES
ENGINEERING AND CONSULTING, INC.**

DRAWN BY: LT

CHECKED BY: PDH

PROJECT MGR: WSM

CLIENT: EAGLE CARPORTS

**EAGLE CARPORTS
210 AIRPORT ROAD
MOUNT AIRY, NC 27030
30'-0"x20'-0" SP ENCLOSED STRUCTURE**

DATE: 8-19-21

SHT. 8A

SCALE: NTS

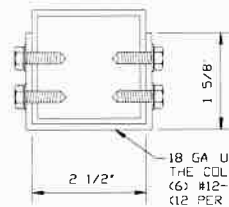
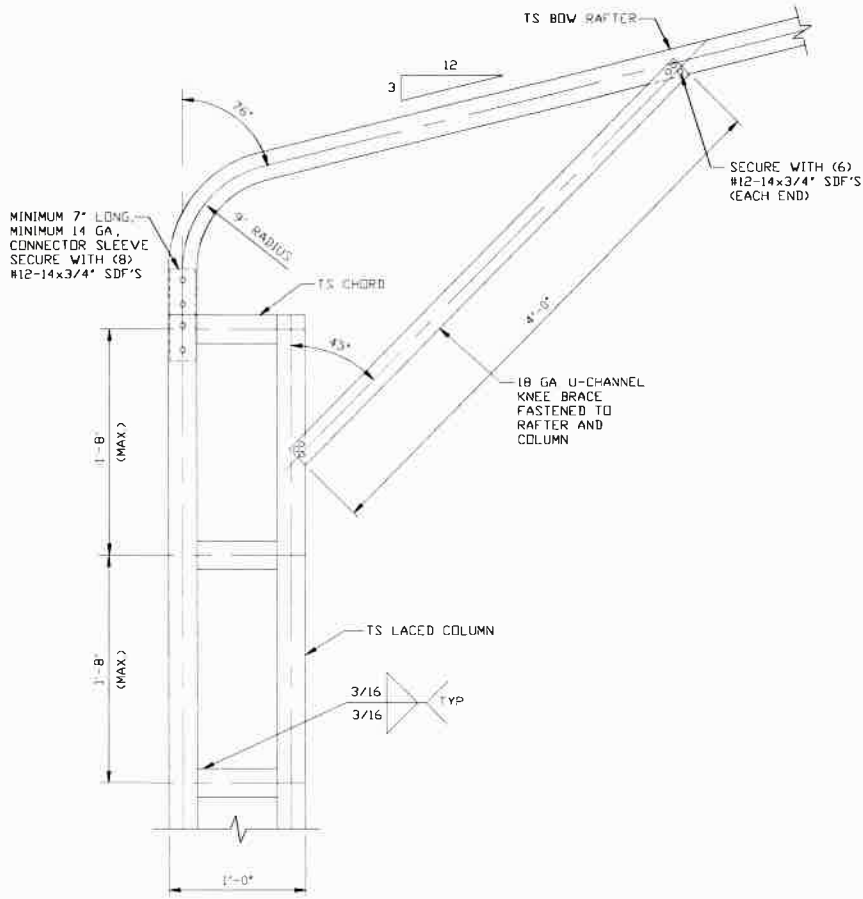
DWG. NO: SK-3

**JOB NO: 16166S/
18260S/19320S/21169S**

REV: 9

THIS DOCUMENT IS THE PROPERTY OF MOORE AND ASSOCIATES ENGINEERING AND CONSULTING. THE UNAUTHORIZED REPRODUCTION, COPYING, OR OTHERWISE USE OF THIS DOCUMENT IS STRICTLY PROHIBITED AND ANY INFRINGEMENT THEREUPON MAY BE SUBJECT TO LEGAL ACTION.

EXPOSURE C



BRACE SECTION

SCALE: NTS

18 GA U-CHANNEL BRACE FASTENED TO THE COLUMN AND ROOF BEAM, WITH (6) #12-14x3/4" SDF'S AT EACH END (12 PER BRACE)

1D BOW EAVE RAFTER COLUMN CONNECTION
 SCALE: NTS
 DETAIL FOR HEIGHTS 15'-0" < TO ≤ 20'-0"

**MOORE AND ASSOCIATES
 ENGINEERING AND CONSULTING, INC.**

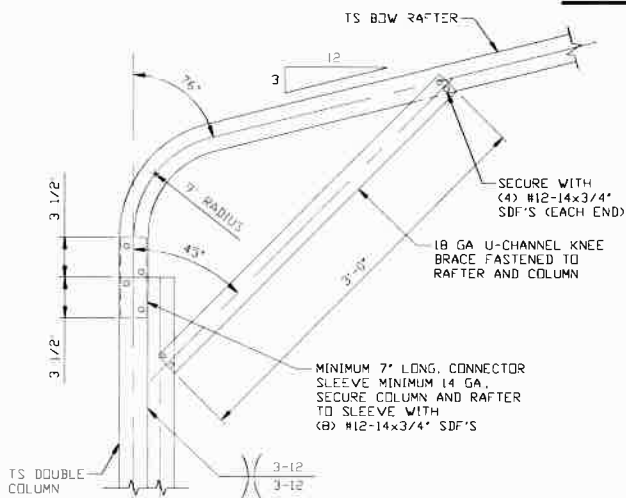
DRAWN BY: LT
CHECKED BY: PDH
PROJECT MGR: WSM
CLIENT: EAGLE CARPORTS

EAGLE CARPORTS
 210 AIRPORT ROAD
 MOUNT AIRY, NC 27030
 30-0"x20'-0" SP ENCLOSED STRUCTURE

DATE: 8-19-21	SCALE: NTS	JOB NO: 16166S/ 18260S/19320S/21162S
SHT. 8B	DWG. NO: SK-3	REV: 9

THIS DOCUMENT IS THE PROPERTY OF MOORE AND ASSOCIATES ENGINEERING AND CONSULTING. THE UNAUTHORIZED REPRODUCTION, COPYING, OR OTHERWISE USE OF THIS DOCUMENT IS STRICTLY PROHIBITED AND ANY INFRINGEMENT THEREUPON MAY BE SUBJECT TO LEGAL ACTION.

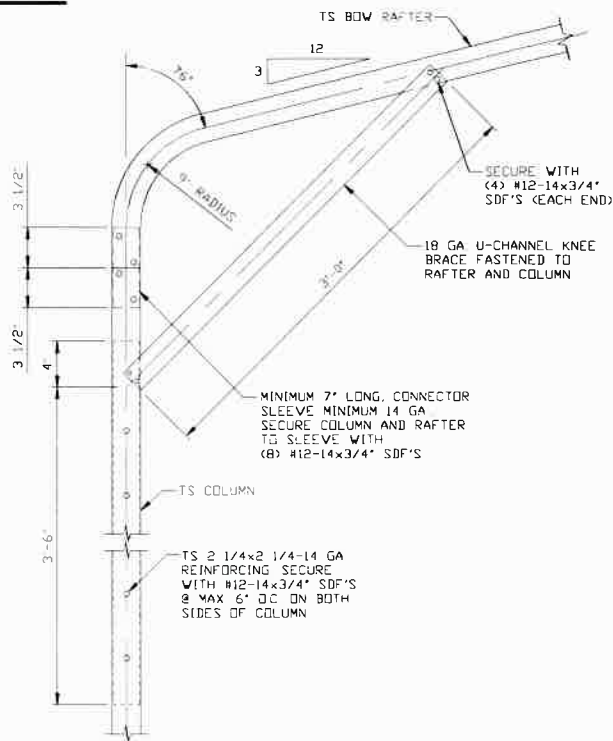
EXPOSURE C



**BOX EAVE RAFTER COLUMN CONNECTION
DETAIL FOR HEIGHTS 13'-0" < TO <= 15'-0"
WITH 10 PSF < TO <= 35 PSF SNOW LOAD
AND <= 105 MPH WIND SPEED
(10'-0" < TO <= 15'-0" WITH <= 10 PSF
SNOW LOAD AND 105 MPH < TO <= 140 MPH
WIND SPEED)**

1E

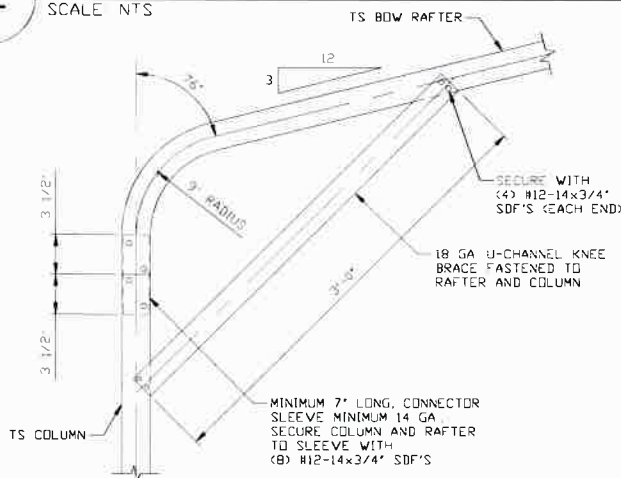
SCALE: NTS



**BOX EAVE RAFTER COLUMN CONNECTION
DETAIL FOR HEIGHTS 11'-0" < TO <= 13'-0"
WITH 10 PSF < TO <= 35 PSF SNOW LOAD
AND <= 105 MPH WIND SPEED
(9'-0" < TO <= 10'-0" WITH <= 10 PSF SNOW
LOAD AND 105 MPH < TO <= 140 MPH WIND
SPEED)**

1F

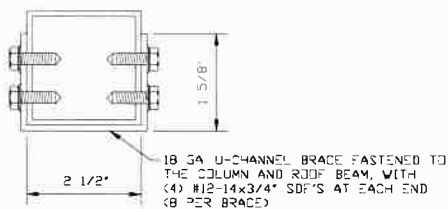
SCALE: NTS



**BOX EAVE RAFTER COLUMN CONNECTION
DETAIL FOR HEIGHTS <= 11'-0"
WITH 10 PSF < TO <= 35 PSF SNOW LOAD
<= 9'-0" WITH <= 10 PSF SNOW LOAD AND
105 MPH < TO <= 140 MPH WIND SPEED**

1G

SCALE: NTS



BRACE SECTION

SCALE: NTS

**MOORE AND ASSOCIATES
ENGINEERING AND CONSULTING, INC.**

DRAWN BY: LT

CHECKED BY: PDH

PROJECT MGR: WSM

CLIENT: EAGLE CARPORTS

EAGLE CARPORTS
210 AIRPORT ROAD
MOUNT AIRY, NC 27030
30'-0"x20'-0" SP ENCLOSED STRUCTURE

DATE: 8-19-21

SHT. 8C

SCALE: NTS

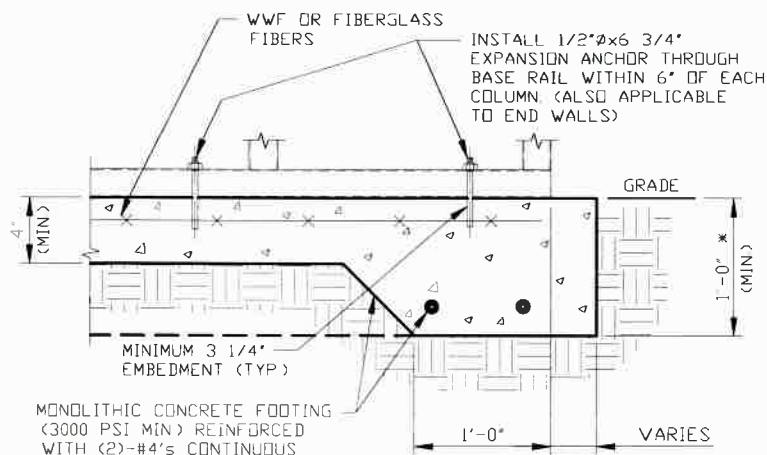
DWG. NO: SK-3

JOB NO: 16166S/
18260S/19320S/21169S

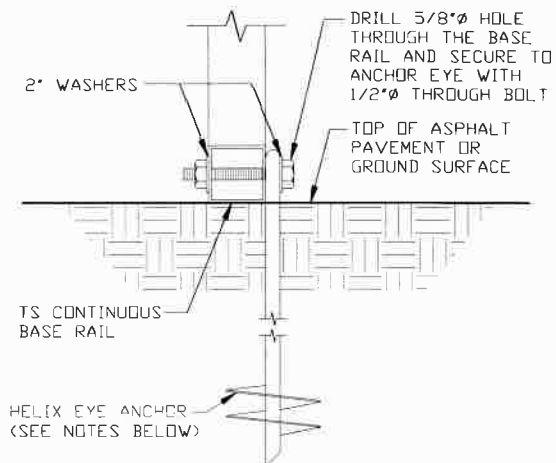
REV: 9

THIS DOCUMENT IS THE PROPERTY OF MOORE AND ASSOCIATES ENGINEERING AND CONSULTING. THE UNAUTHORIZED REPRODUCTION, COPYING, OR OTHERWISE USE OF THIS DOCUMENT IS STRICTLY PROHIBITED AND ANY INFRINGEMENT THEREUPON MAY BE SUBJECT TO LEGAL ACTION.

BASE RAIL ANCHORAGE OPTIONS



**2 CONCRETE MONOLITHIC SLAB
BASE RAIL ANCHORAGE**
SCALE: NTS
MINIMUM ANCHOR EDGE DISTANCE IS 4"
* COORDINATE WITH LOCAL BUILDING CODES/ORD
REGARDING REQUIRED FOOTING DEPTH.



2A GROUND BASE HELIX ANCHORAGE
SCALE: NTS (CAN BE USED FOR ASPHALT)
* COORDINATE WITH LOCAL CODES/ORD
REGARDING REQUIRED ANCHOR LENGTH.

GENERAL NOTES

NOTE CONCRETE MONOLITHIC SLAB DESIGN BASED ON MINIMUM SOIL BEARING CAPACITY OF 1,500 PSF.

CONCRETE:

CONCRETE SHALL HAVE A MINIMUM SPECIFIED COMPRESSIVE STRENGTH OF 3,000 PSI AT 28 DAYS.

COVER OVER REINFORCING STEEL:

FOR FOUNDATIONS, MINIMUM CONCRETE COVER OVER REINFORCING BARS SHALL BE PER ACI-318.

3" IN FOUNDATIONS WHERE THE CONCRETE IS CAST AGAINST AND PERMANENTLY IN CONTACT WITH THE EARTH OR EXPOSED TO THE EARTH OR WEATHER, AND 1 1/2" ELSEWHERE.

REINFORCING STEEL:

THE TURNDOWN REINFORCING STEEL SHALL BE ASTM A615 GRADE 60 THE SLAB REINFORCEMENT SHALL BE WELDED WIRE FABRIC MEETING ASTM A185 OR FIBERGLASS FIBER REINFORCEMENT.

REINFORCEMENT MAY BE BENT IN THE SHOP OR THE FIELD PROVIDED:

- 1 REINFORCEMENT IS BENT COLD
- 2 THE DIAMETER OF THE BEND, MEASURED ON THE INSIDE OF THE BAR, IS NOT LESS THAN SIX-BAR DIAMETERS
- 3 REINFORCEMENT PARTIALLY EMBEDDED IN CONCRETE SHALL NOT BE FIELD BENT

HELIX ANCHOR NOTES:

- 1 FOR VERY DENSE AND/OR CEMENTED SANDS, COARSE GRAVEL AND COBBLES, CALICHE, PRELOADED SILTS AND CLAYS, USE MINIMUM (2) 4" HELICES WITH MINIMUM 30" EMBEDMENT OR SINGLE 6" HELIX WITH MINIMUM 50" EMBEDMENT
- 2 FOR CORAL USE MINIMUM (2) 4" HELICES WITH MINIMUM 30" EMBEDMENT OR SINGLE 6" HELIX WITH MINIMUM 50" EMBEDMENT
- 3 FOR MEDIUM DENSE COARSE SANDS, SANDY GRAVELS, VERY STIFF SILTS, AND CLAYS USE MINIMUM (2) 4" HELICES WITH MINIMUM 30 INCH EMBEDMENT OR SINGLE 6" HELIX WITH MINIMUM 50" EMBEDMENT
- 4 FOR LOOSE TO MEDIUM DENSE SANDS, FIRM TO STIFF CLAYS AND SILTS ALLUVIAL FILL, USE MINIMUM (2) 6" HELICES WITH MINIMUM 50" EMBEDMENT
- 5 FOR VERY LOOSE TO MEDIUM DENSE SANDS, FIRM TO STIFFER CLAYS AND SILTS, ALLUVIAL FILL, USE MINIMUM (2) 8" HELICES WITH MINIMUM 60" EMBEDMENT

**MOORE AND ASSOCIATES
ENGINEERING AND CONSULTING, INC.**

DRAWN BY: LT

CHECKED BY: PDH

PROJECT MGR: WSM

CLIENT: EAGLE CARPORTS

**EAGLE CARPORTS
210 AIRPORT ROAD
MOUNT AIRY, NC 27030
30'-0"x20'-0" SP ENCLOSED STRUCTURE**

DATE: 8-19-21

SHT. 9

SCALE: NTS

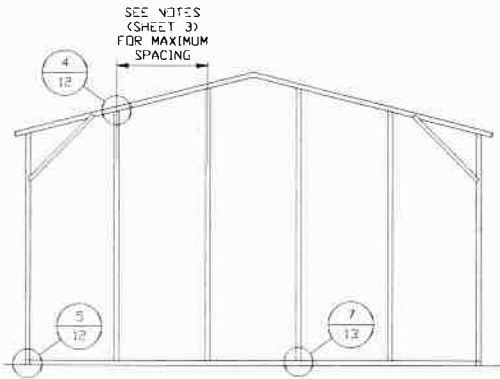
DWG. NO: SK-3

**JOB NO: 16166S/
18260S/19320S/21169S**

REV: 9

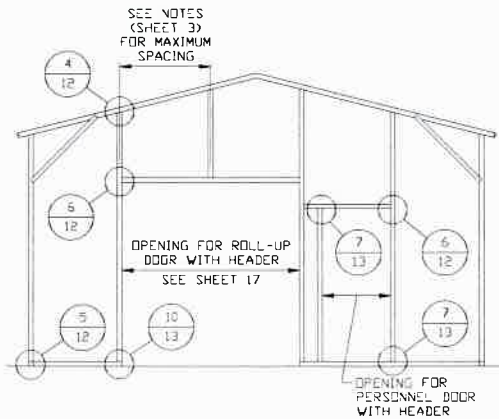
THIS DOCUMENT IS THE PROPERTY OF MOORE AND ASSOCIATES ENGINEERING AND CONSULTING. THE UNAUTHORIZED REPRODUCTION, COPYING, OR OTHERWISE USE OF THIS DOCUMENT IS STRICTLY PROHIBITED AND ANY INFRINGEMENT THEREUPON MAY BE SUBJECT TO LEGAL ACTION.

BOX EAVE RAFTER END WALL AND SIDE WALL FRAMING SECTIONS



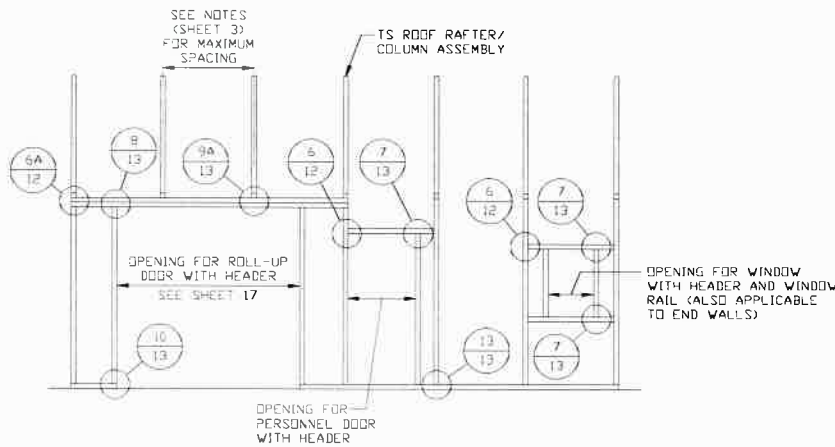
**TYPICAL BOX EAVE RAFTER
END WALL FRAMING SECTION**

SCALE: NTS



**TYPICAL BOX EAVE RAFTER END
WALL OPENINGS FRAMING SECTION**

SCALE: NTS



**TYPICAL BOX EAVE RAFTER
SIDE WALL OPENINGS FRAMING SECTION**

SCALE: NTS

**MOORE AND ASSOCIATES
ENGINEERING AND CONSULTING, INC.**

DRAWN BY: LT

CHECKED BY: PDH

PROJECT MGR: WSM

CLIENT: EAGLE CARPORTS

**EAGLE CARPORTS
210 AIRPORT ROAD
MOUNT AIRY, NC 27030
30'-0"x20'-0" SP ENCLOSED STRUCTURE**

DATE: 8-19-21

SHT. 10

SCALE: NTS

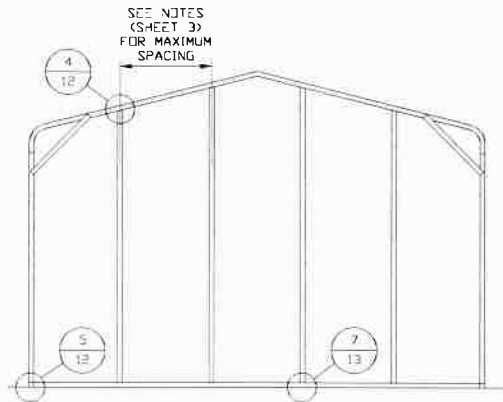
DWG. NO: SK-3

**JOB NO: 16166S/
18260S/19320S/21169S**

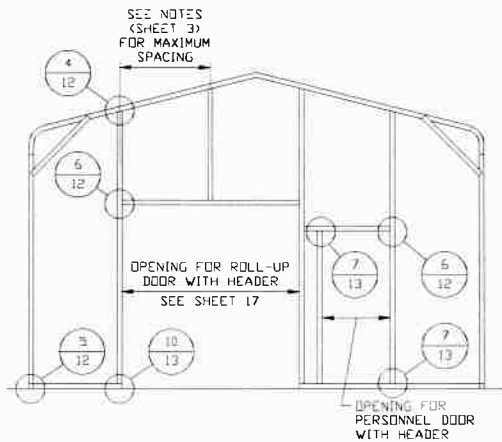
REV: 9

THIS DOCUMENT IS THE PROPERTY OF MOORE AND ASSOCIATES ENGINEERING AND CONSULTING. THE UNAUTHORIZED REPRODUCTION, COPYING, OR OTHERWISE USE OF THIS DOCUMENT IS STRICTLY PROHIBITED AND ANY INFRINGEMENT THEREUPON MAY BE SUBJECT TO LEGAL ACTION.

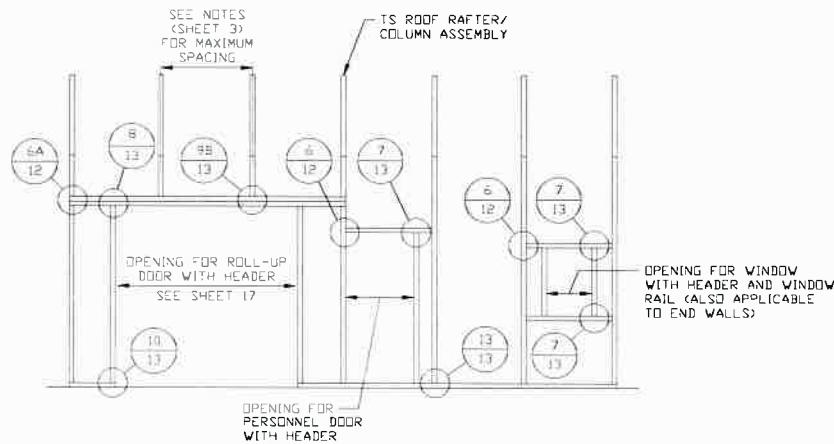
BOW RAFTER END WALL AND SIDE WALL FRAMING SECTIONS



**TYPICAL BOW RAFTER
END WALL FRAMING SECTION**
SCALE: NTS



**TYPICAL BOW RAFTER END
WALL OPENINGS FRAMING SECTION**
SCALE: NTS



**TYPICAL BOW RAFTER SIDE
WALL OPENINGS FRAMING SECTION**
SCALE: NTS

**MOORE AND ASSOCIATES
ENGINEERING AND CONSULTING, INC.**

DRAWN BY: LT

CHECKED BY: PDH

PROJECT MGR: WSM

CLIENT: EAGLE CARPORTS

**EAGLE CARPORTS
210 AIRPORT ROAD
MOUNT AIRY, NC 27030
30'-0"x20'-0" SP ENCLOSED STRUCTURE**

DATE: 8-19-21

SHT. 11

SCALE: NTS

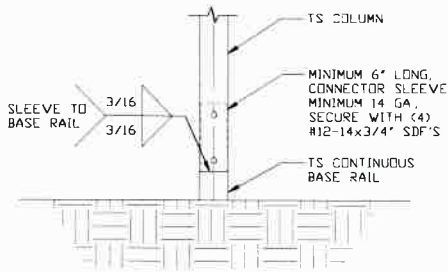
DWG. NO: SK-3

**JOB NO: 16166S/
18260S/19320S/21169S**

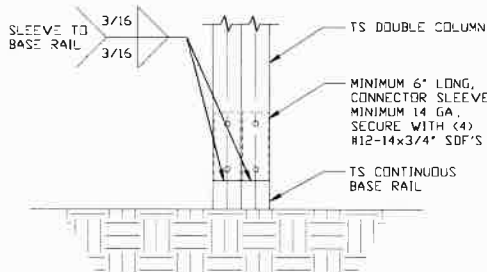
REV: 9

THIS DOCUMENT IS THE PROPERTY OF MOORE AND ASSOCIATES ENGINEERING AND CONSULTING. THE UNAUTHORIZED REPRODUCTION, COPYING, OR OTHERWISE USE OF THIS DOCUMENT IS STRICTLY PROHIBITED AND ANY INFRINGEMENT THEREUPON MAY BE SUBJECT TO LEGAL ACTION.

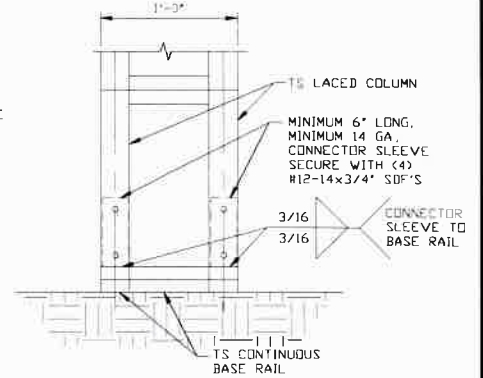
CONNECTION DETAILS



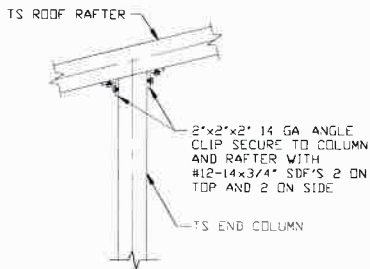
3
**RAFTER COLUMN/
 BASE RAIL
 CONNECTION DETAIL**
 SCALE: NTS



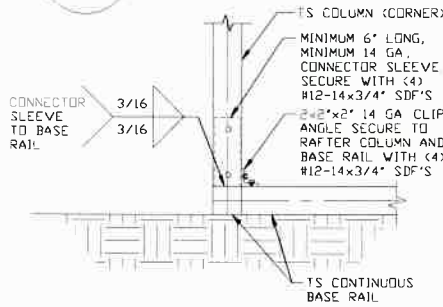
3A
**RAFTER COLUMN/
 BASE RAIL
 CONNECTION DETAIL**
 SCALE: NTS



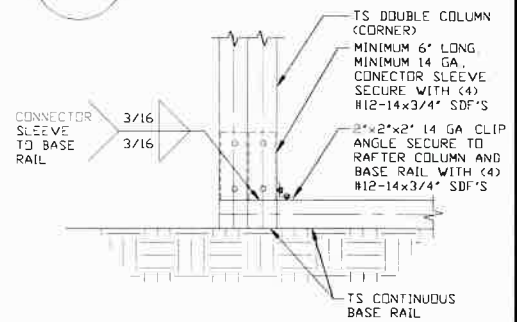
3B
**RAFTER COLUMN/
 BASE RAIL
 CONNECTION DETAIL**
 SCALE: NTS



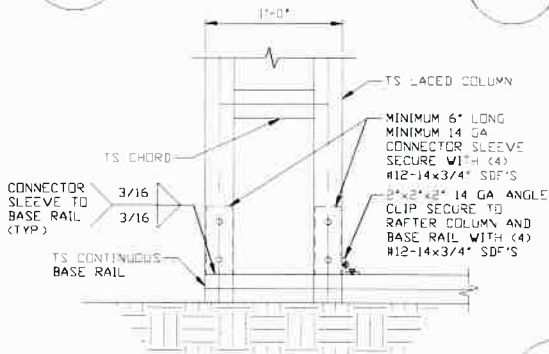
4
**END COLUMN/RAFTER
 CONNECTION DETAIL**
 SCALE: NTS



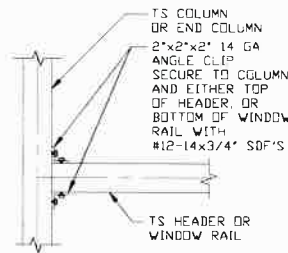
5
**END COLUMN/BASE RAIL
 CONNECTION DETAIL**
 SCALE: NTS



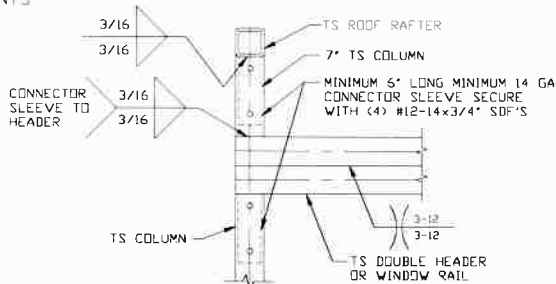
5A
**END COLUMN/BASE RAIL
 CONNECTION DETAIL**
 SCALE: NTS



5B
**END COLUMN/BASE RAIL
 CONNECTION DETAIL**
 SCALE: NTS



6
**COLUMN OR WINDOW
 RAIL TO POST
 CONNECTION DETAIL**
 SCALE: NTS



6A
**DOUBLE HEADER TO COLUMN
 CONNECTION DETAIL**
 SCALE: NTS

**MOORE AND ASSOCIATES
 ENGINEERING AND CONSULTING, INC.**

DRAWN BY: LT

CHECKED BY: PDH

PROJECT MGR: WSM

CLIENT: EAGLE CARPORTS

**EAGLE CARPORTS
 210 AIRPORT ROAD
 MOUNT AIRY, NC 27030
 30'-0"x20'-0" SP ENCLOSED STRUCTURE**

DATE: 8-19-21

SHT. 12

SCALE: NTS

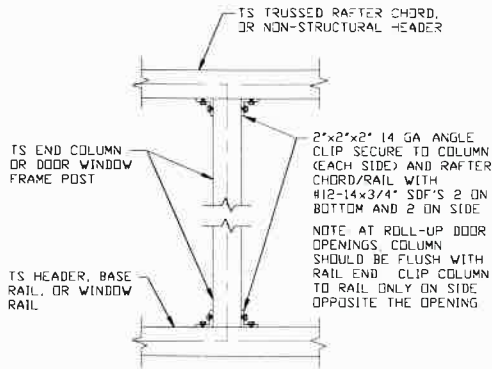
DWG. NO: SK-3

**JOB NO: 16166S/
 18260S/19320S/21169S**

REV: 9

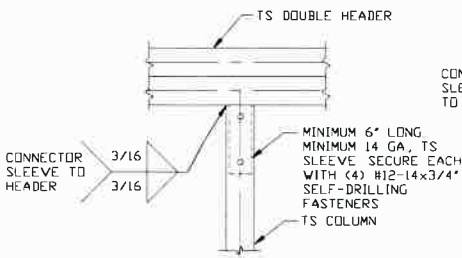
THIS DOCUMENT IS THE PROPERTY OF MOORE AND ASSOCIATES ENGINEERING AND CONSULTING. THE UNAUTHORIZED REPRODUCTION, COPYING, OR OTHERWISE USE OF THIS DOCUMENT IS STRICTLY PROHIBITED AND ANY INFRINGEMENT THEREUPON MAY BE SUBJECT TO LEGAL ACTION.

CONNECTION DETAILS



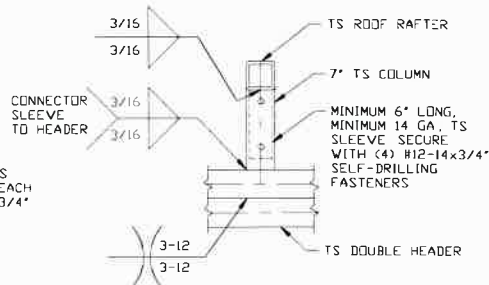
7 COLUMN TO WINDOW RAIL CONNECTION DETAIL

SCALE: NTS



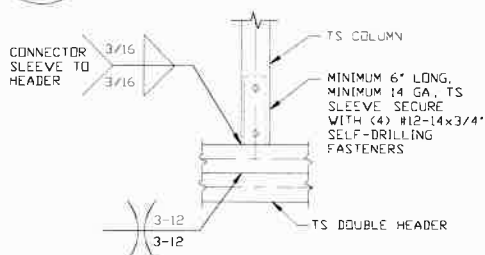
8 DOUBLE HEADER/
COLUMN CONNECTION DETAIL

SCALE: NTS



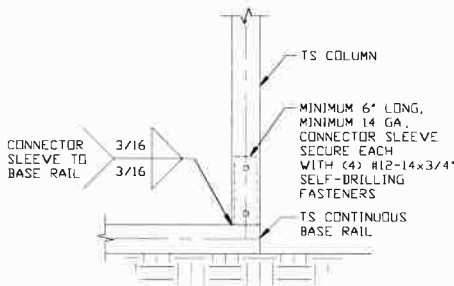
9A COLUMN/DOUBLE HEADER CONNECTION DETAIL

SCALE: NTS



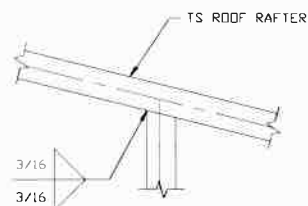
9B COLUMN/DOUBLE HEADER CONNECTION DETAIL

SCALE: NTS



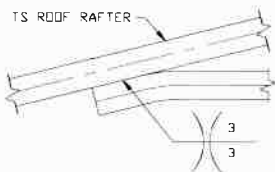
10 COLUMN/BASE RAIL CONNECTION DETAIL

SCALE: NTS



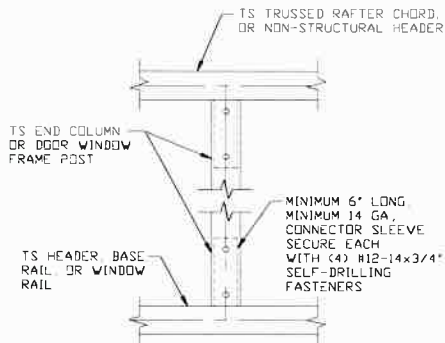
11 RAFTER TO CHORD CONNECTION DETAIL

SCALE: NTS



12 COLLAR TIE CONNECTION DETAIL

SCALE: NTS



13 COLUMN TO HEADER OR BASE RAIL CONNECTION DETAIL

SCALE: NTS

**MOORE AND ASSOCIATES
ENGINEERING AND CONSULTING, INC.**

DRAWN BY: LT

CHECKED BY: PDH

PROJECT MGR: WSM

CLIENT: EAGLE CARPORTS

**EAGLE CARPORTS
210 AIRPORT ROAD
MOUNT AIRY, NC 27030
30'-0"x20'-0" SP ENCLOSED STRUCTURE**

DATE: 8-19-21

SHT. 13

SCALE: NTS

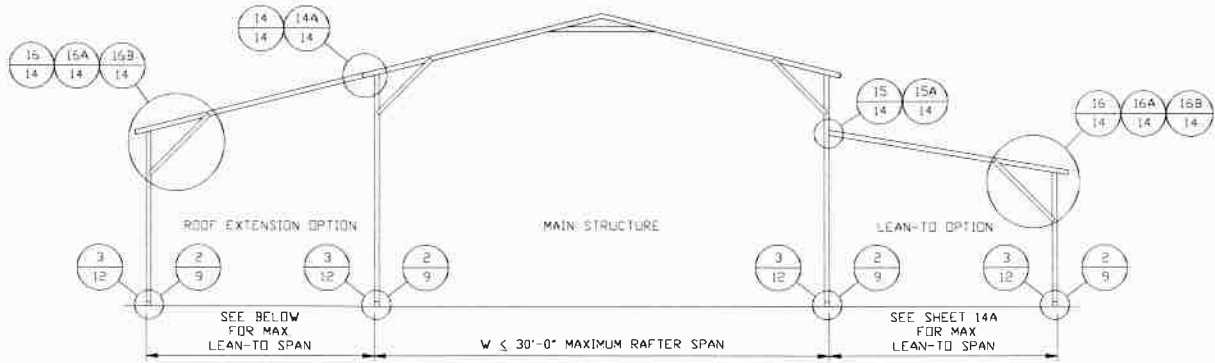
DWG. NO: SK-3

**JOB NO: 16166S/
18260S/19320S/21169S**

REV: 9

THIS DOCUMENT IS THE PROPERTY OF MOORE AND ASSOCIATES ENGINEERING AND CONSULTING. THE UNAUTHORIZED REPRODUCTION, COPYING, OR OTHERWISE USE OF THIS DOCUMENT IS STRICTLY PROHIBITED AND ANY INFRINGEMENT THEREUPON MAY BE SUBJECT TO LEGAL ACTION.

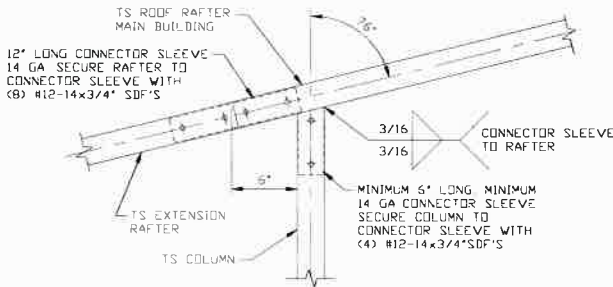
BOX EAVE RAFTER LEAN-TO OPTIONS



TYPICAL BOX EAVE RAFTER LEAN-TO OPTIONS FRAMING SECTION (BOTH OPTIONS SHOWN)

SCALE: NTS

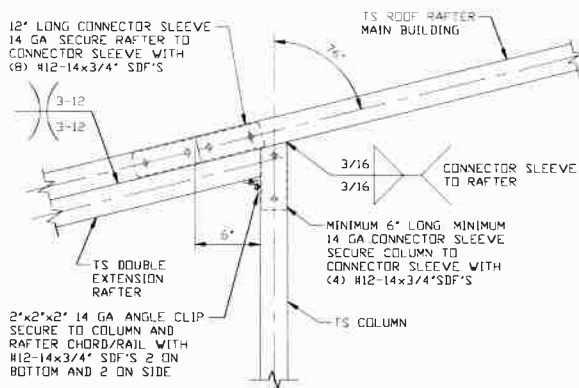
MAXIMUM WIDTH OF SINGLE MEMBER (RAFTER AND COLUMN) ROOF EXTENSION AND LEAN-TO IS 12'-0"
 MAXIMUM WIDTH OF DOUBLE MEMBER (RAFTER AND COLUMN) ROOF EXTENSION AND LEAN-TO IS 15'-0"
 MAIN BUILDING COLUMNS WITH LEAN-TO OR ROOF EXTENSION ATTACHED ARE REQUIRED TO BE LACED COLUMNS FOR EAVE HEIGHTS 16'-0" < TO < 20'-0" FOR EXPOSURE B AND 15'-0" < TO < 20'-0" FOR EXPOSURE C
 MAIN BUILDING COLUMNS WITH LEAN-TO OR ROOF EXTENSION ATTACHED ARE REQUIRED TO BE DOUBLE COLUMNS FOR EAVE HEIGHTS 14'-0" < TO < 16'-0" FOR EXPOSURE B AND 13'-0" < TO < 15'-0" FOR EXPOSURE C
 MAIN BUILDING COLUMNS WITH LEAN-TO OR ROOF EXTENSION ATTACHED ARE REQUIRED TO BE SINGLE COLUMNS WITH INSERTS FOR EAVE HEIGHTS 11'-0" < TO < 14'-0" FOR EXPOSURE B AND 9'-0" < TO < 13'-0" FOR EXPOSURE C
 MAIN BUILDING COLUMNS WITH LEAN-TO OR ROOF EXTENSION ATTACHED ARE REQUIRED TO BE SINGLE COLUMNS FOR EAVE HEIGHTS < 11'-0" FOR EXPOSURE B AND < 9'-0" FOR EXPOSURE C



14

SIDE EXTENSION RAFTER/ COLUMN DETAIL FOR RAFTER SPANS ≤ 12'-0"

SCALE: NTS



14A

SIDE EXTENSION RAFTER/ COLUMN DETAIL FOR RAFTER SPANS 12'-0" < TO ≤ 15'-0"

SCALE: NTS

**MOORE AND ASSOCIATES
ENGINEERING AND CONSULTING, INC.**

DRAWN BY: LT

CHECKED BY: PDH

PROJECT MGR: WSM

CLIENT: EAGLE CARPORTS

**EAGLE CARPORTS
210 AIRPORT ROAD
MOUNT AIRY, NC 27030
30'-0"x20'-0" SP ENCLOSED STRUCTURE**

DATE: 8-19-21

SHT. 14

SCALE: NTS

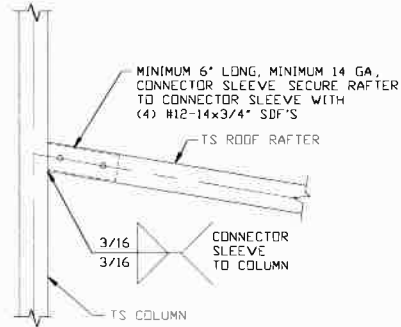
DWG. NO: SK-3

**JOB NO: 16166S/
18260S/19320S/21169S**

REV: 9

THIS DOCUMENT IS THE PROPERTY OF MOORE AND ASSOCIATES ENGINEERING AND CONSULTING. THE UNAUTHORIZED REPRODUCTION, COPYING, OR OTHERWISE USE OF THIS DOCUMENT IS STRICTLY PROHIBITED AND ANY INFRINGEMENT THEREUPON MAY BE SUBJECT TO LEGAL ACTION.

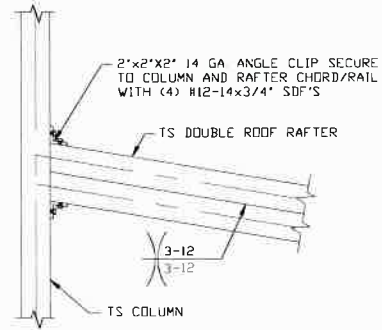
BOX EAVE RAFTER LEAN-TO OPTIONS



**LEAN-TO RAFTER TO RAFTER
COLUMN CONNECTION DETAIL
FOR RAFTER SPANS $\leq 12'-0"$**

15

SCALE: NTS.
NOTE: ROOF PITCH OF 2:12 AND 1:12 ARE
ADEQUATE FOR LEAN-TO RAFTER.



**LEAN-TO RAFTER TO RAFTER
COLUMN CONNECTION DETAIL
FOR RAFTER SPANS $12'-0" < \text{TO} \leq 15'-0"$**

15A

SCALE: NTS.
NOTE: ROOF PITCH OF 2:12 AND 1:12 ARE
ADEQUATE FOR LEAN-TO RAFTER.

**MOORE AND ASSOCIATES
ENGINEERING AND CONSULTING, INC.**

DRAWN BY: LT

CHECKED BY: PDH

PROJECT MGR: WSM

CLIENT: EAGLE CARPORTS

**EAGLE CARPORTS
210 AIRPORT ROAD
MOUNT AIRY, NC 27030
30'-0"x20'-0" SP ENCLOSED STRUCTURE**

DATE: 8-19-21

SHT. 14A

SCALE: NTS

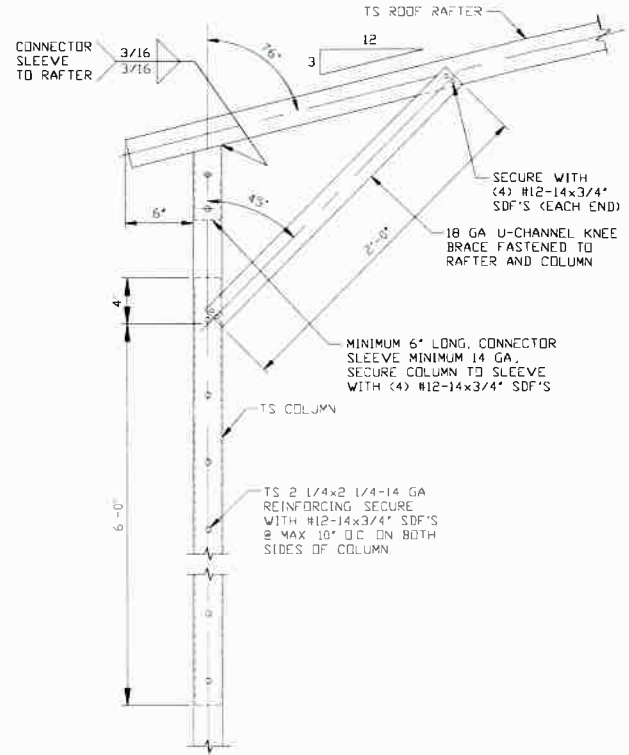
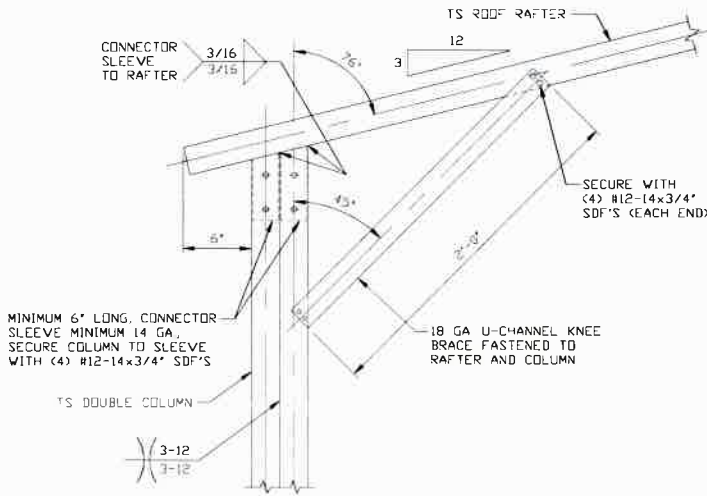
DWG. NO: SK-3

**JOB NO: 16166S/
18260S/19320S/21169S**

REV: 9

THIS DOCUMENT IS THE PROPERTY OF MOORE AND ASSOCIATES ENGINEERING AND CONSULTING. THE UNAUTHORIZED REPRODUCTION, COPYING, OR OTHERWISE USE OF THIS DOCUMENT IS STRICTLY PROHIBITED AND ANY INFRINGEMENT THEREUPON MAY BE SUBJECT TO LEGAL ACTION.

BOX EAVE RAFTER LEAN-TO OPTION - EXPOSURE B



16

BOX EAVE RAFTER COLUMN CONNECTION DETAIL FOR HEIGHTS 15'-0" < TO <= 16'-0"

SCALE: NTS
HORSE BARN OPTION (REQUIRES A LEAN-TO ON BOTH SIDES OF THE MAIN BUILDING)

16A

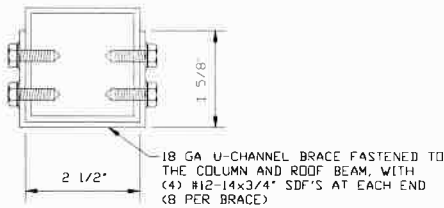
BOX EAVE RAFTER COLUMN CONNECTION DETAIL FOR HEIGHTS 14'-0" < TO <= 15'-0"

SCALE: NTS
HORSE BARN OPTION (REQUIRES A LEAN-TO ON BOTH SIDES OF THE MAIN BUILDING)

16B

BOX EAVE RAFTER COLUMN CONNECTION DETAIL FOR HEIGHTS <= 14'-0"

SCALE: NTS
HORSE BARN OPTION (REQUIRES A LEAN-TO ON BOTH SIDES OF THE MAIN BUILDING)



BRACE SECTION

SCALE: NTS

**MOORE AND ASSOCIATES
ENGINEERING AND CONSULTING, INC.**

DRAWN BY: LT

CHECKED BY: PDH

PROJECT MGR: WSM

CLIENT: EAGLE CARPORTS

EAGLE CARPORTS
210 AIRPORT ROAD
MOUNT AIRY, NC 27030
30'-0"x20'-0" SP ENCLOSED STRUCTURE

DATE: 8-19-21

SHT. 14B

SCALE: NTS

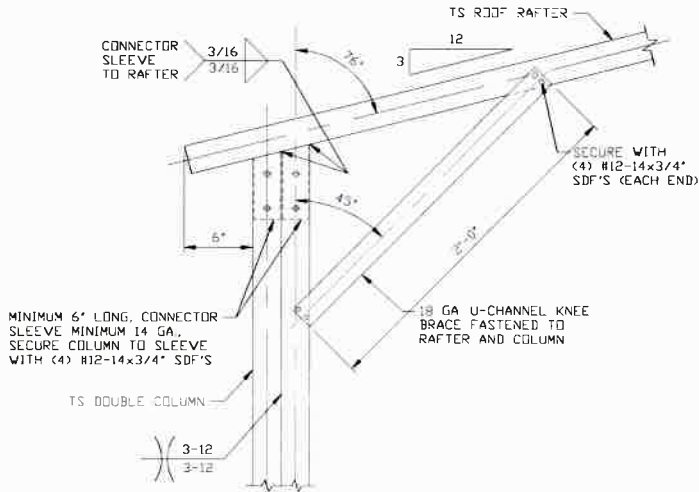
DWG. NO: SK-3

JOB NO: 16166S/
18260S/19320S/21169S

REV: 9

THIS DOCUMENT IS THE PROPERTY OF MOORE AND ASSOCIATES ENGINEERING AND CONSULTING. THE UNAUTHORIZED REPRODUCTION, COPYING, OR OTHERWISE USE OF THIS DOCUMENT IS STRICTLY PROHIBITED AND ANY INFRINGEMENT THEREUPON MAY BE SUBJECT TO LEGAL ACTION.

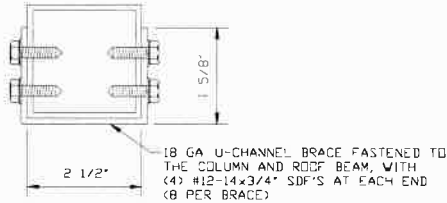
BOX EAVE RAFTER LEAN-TO OPTION - EXPOSURE C



BOX EAVE RAFTER COLUMN CONNECTION DETAIL FOR HEIGHTS 13'-0" < TO ≤ 16'-0"

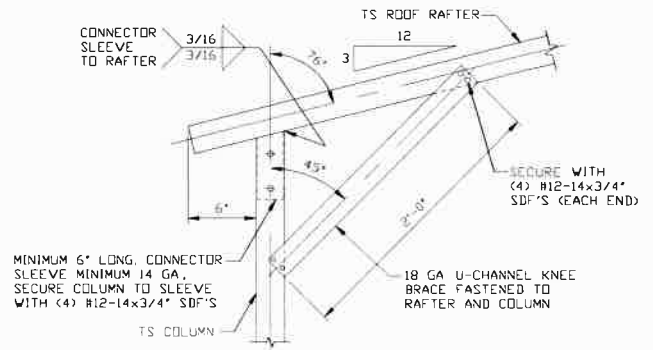
16C

SCALE: NTS
HORSE BARN OPTION (REQUIRES A LEAN-TO ON BOTH SIDES OF THE MAIN BUILDING)



BRACE SECTION

SCALE: NTS



BOX EAVE RAFTER COLUMN CONNECTION DETAIL FOR HEIGHTS ≤ 13'-0"

16D

SCALE: NTS
HORSE BARN OPTION (REQUIRES A LEAN-TO ON BOTH SIDES OF THE MAIN BUILDING)

**MOORE AND ASSOCIATES
ENGINEERING AND CONSULTING, INC.**

DRAWN BY: LT

CHECKED BY: PDH

PROJECT MGR: WSM

CLIENT: EAGLE CARPORTS

EAGLE CARPORTS
210 AIRPORT ROAD
MOUNT AIRY, NC 27030
30'-0"x20'-0" SP ENCLOSED STRUCTURE

DATE: 8-19-21

SHT. 14C

SCALE: NTS

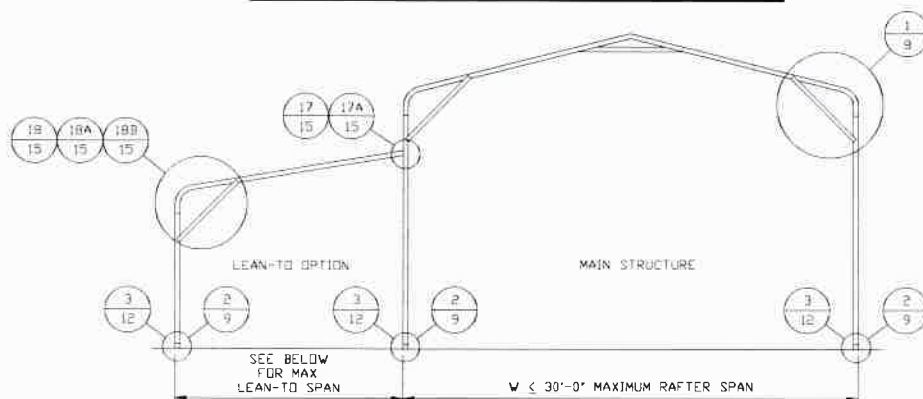
DWG. NO: SK-3

JOB NO: 16166S/
18260S/19320S/21169S

REV: 9

THIS DOCUMENT IS THE PROPERTY OF MOORE AND ASSOCIATES ENGINEERING AND CONSULTING. THE UNAUTHORIZED REPRODUCTION, COPYING, OR OTHERWISE USE OF THIS DOCUMENT IS STRICTLY PROHIBITED AND ANY INFRINGEMENT THEREUPON MAY BE SUBJECT TO LEGAL ACTION.

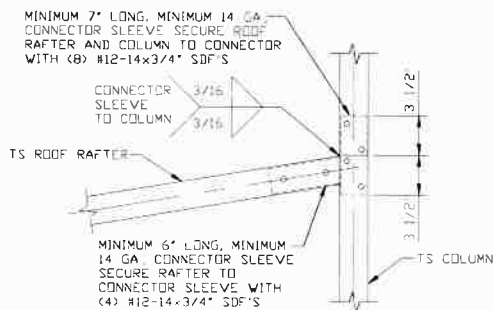
BOW RAFTER LEAN-TO OPTION



TYPICAL BOW RAFTER LEAN-TO OPTION FRAMING SECTION

SCALE: NTS

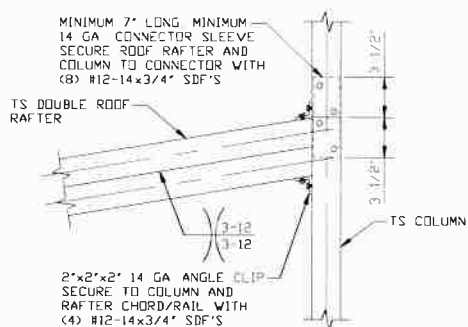
MAXIMUM WIDTH OF SINGLE MEMBER (RAFTER AND COLUMN) ROOF EXTENSION AND LEAN-TO IS 12'-0"
 MAXIMUM WIDTH OF DOUBLE MEMBER (RAFTER AND COLUMN) ROOF EXTENSION AND LEAN-TO IS 15'-0"
 MAIN BUILDING COLUMNS WITH LEAN-TO OR ROOF EXTENSION ATTACHED ARE REQUIRED TO BE LACED COLUMNS FOR EAVE HEIGHTS 16'-0" < TO < 20'-0" FOR EXPOSURE B AND 15'-0" < TO < 20'-0" FOR EXPOSURE C
 MAIN BUILDING COLUMNS WITH LEAN-TO OR ROOF EXTENSION ATTACHED ARE REQUIRED TO BE DOUBLE COLUMNS FOR EAVE HEIGHTS 14'-0" < TO < 16'-0" FOR EXPOSURE B AND 13'-0" < TO < 15'-0" FOR EXPOSURE C
 MAIN BUILDING COLUMNS WITH LEAN-TO OR ROOF EXTENSION ATTACHED ARE REQUIRED TO BE SINGLE COLUMNS WITH INSERTS FOR EAVE HEIGHTS 11'-0" < TO < 14'-0" FOR EXPOSURE B AND 9'-0" < TO < 13'-0" FOR EXPOSURE C
 MAIN BUILDING COLUMNS WITH LEAN-TO OR ROOF EXTENSION ATTACHED ARE REQUIRED TO BE SINGLE COLUMNS FOR EAVE HEIGHTS < 11'-0" FOR EXPOSURE B AND < 9'-0" FOR EXPOSURE C.



17 LEAN-TO RAFTER TO RAFTER COLUMN CONNECTION DETAIL FOR RAFTER SPANS < 12'-0"

SCALE: NTS

NOTE: ROOF PITCH OF 2:12 AND 1:12 ARE ADEQUATE FOR LEAN-TO RAFTER



17A LEAN-TO RAFTER TO RAFTER COLUMN CONNECTION DETAIL FOR RAFTER SPANS 12'-0" < TO < 15'-0"

SCALE: NTS

NOTE: ROOF PITCH OF 2:12 AND 1:12 ARE ADEQUATE FOR LEAN-TO RAFTER

**MOORE AND ASSOCIATES
ENGINEERING AND CONSULTING, INC.**

DRAWN BY: LT

CHECKED BY: PDH

PROJECT MGR: WSM

CLIENT: EAGLE CARPORTS

**EAGLE CARPORTS
210 AIRPORT ROAD
MOUNT AIRY, NC 27030
30'-0"x20'-0" SP ENCLOSED STRUCTURE**

DATE: 8-19-21

SHT. 15

SCALE: NTS

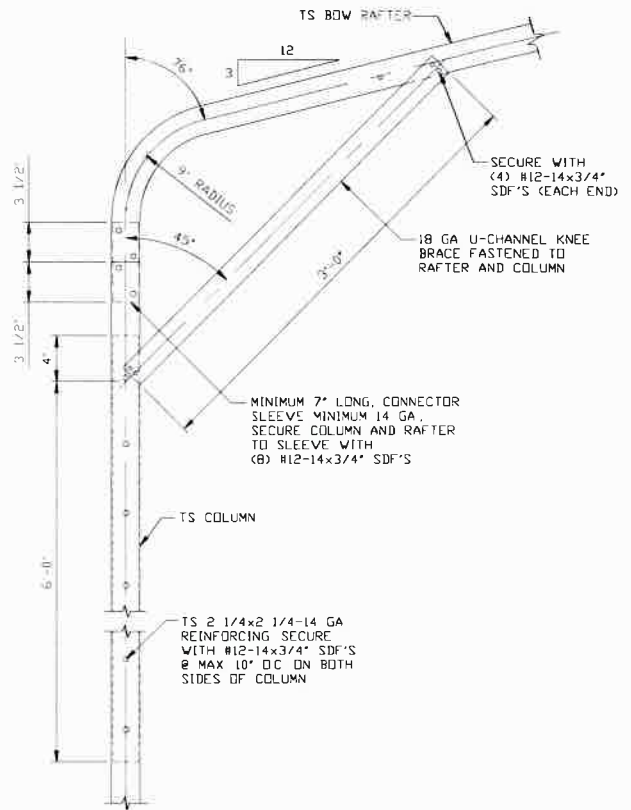
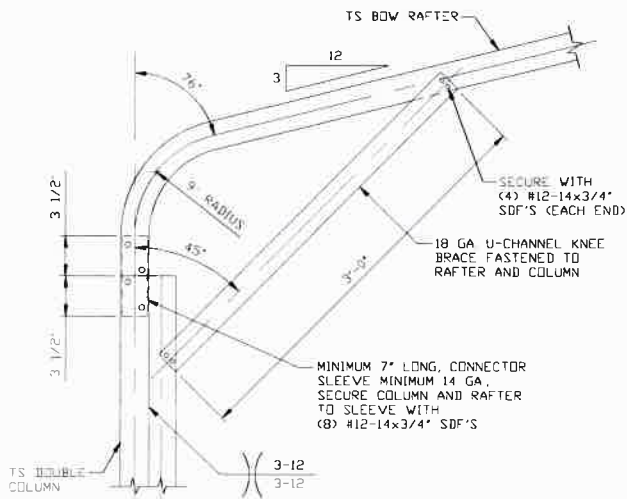
DWG. NO: SK-3

**JOB NO: 16166S/
19260S/19320S/21169S**

REV: 9

THIS DOCUMENT IS THE PROPERTY OF MOORE AND ASSOCIATES ENGINEERING AND CONSULTING. THE UNAUTHORIZED REPRODUCTION, COPYING, OR OTHERWISE USE OF THIS DOCUMENT IS STRICTLY PROHIBITED AND ANY INFRINGEMENT THEREUPON MAY BE SUBJECT TO LEGAL ACTION.

BOW RAFTER LEAN-TO OPTION - EXPOSURE B



18

BOW EAVE RAFTER COLUMN CONNECTION DETAIL FOR HEIGHTS 15'-0" < TO <= 16'-0"

SCALE: NTS
HORSE BARN OPTION (REQUIRES A LEAN-TO ON BOTH SIDES OF THE MAIN BUILDING)

18A

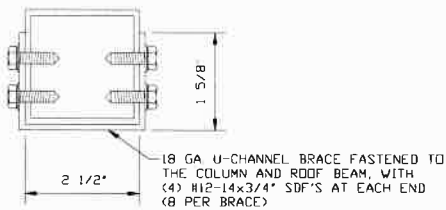
BOW EAVE RAFTER COLUMN CONNECTION DETAIL FOR HEIGHTS 14'-0" < TO <= 15'-0"

SCALE: NTS
HORSE BARN OPTION (REQUIRES A LEAN-TO ON BOTH SIDES OF THE MAIN BUILDING)

18B

BOW EAVE RAFTER COLUMN CONNECTION DETAIL FOR HEIGHTS <= 14'-0"

SCALE: NTS
HORSE BARN OPTION (REQUIRES A LEAN-TO ON BOTH SIDES OF THE MAIN BUILDING)



BRACE SECTION

SCALE: NTS

**MOORE AND ASSOCIATES
ENGINEERING AND CONSULTING, INC.**

DRAWN BY: LT

CHECKED BY: PDH

PROJECT MGR: WSM

CLIENT: EAGLE CARPORTS

EAGLE CARPORTS
210 AIRPORT ROAD
MOUNT AIRY, NC 27030
30'-0"x20'-0" SP ENCLOSED STRUCTURE

DATE: 8-19-21

SHT. 15A

SCALE: NTS

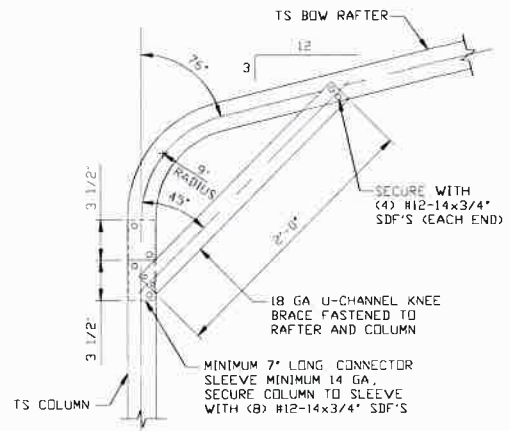
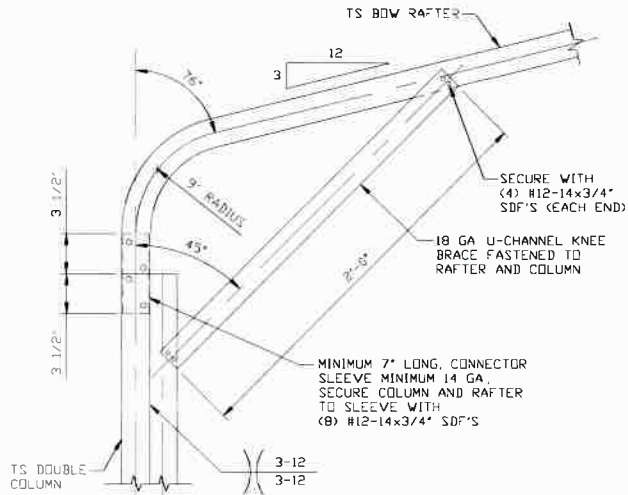
DWG. NO: SK-3

JOB NO: 16166S/
18260S/19320S/21169S

REV: 9

THIS DOCUMENT IS THE PROPERTY OF MOORE AND ASSOCIATES ENGINEERING AND CONSULTING. THE UNAUTHORIZED REPRODUCTION, COPYING, OR OTHERWISE USE OF THIS DOCUMENT IS STRICTLY PROHIBITED AND ANY INFRINGEMENT THEREUPON MAY BE SUBJECT TO LEGAL ACTION.

BOW RAFTER LEAN-TO OPTION - EXPOSURE C

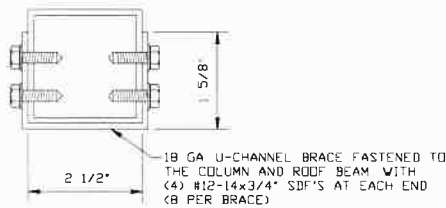


18C BOW EAVE RAFTER COLUMN CONNECTION DETAIL FOR HEIGHTS 13'-0" < TO <= 16'-0"

SCALE: NTS
HORSE BARN OPTION (REQUIRES A LEAN-TO
ON BOTH SIDES OF THE MAIN BUILDING).

18D BOW EAVE RAFTER COLUMN CONNECTION DETAIL FOR HEIGHTS <= 13'-0"

SCALE: NTS
HORSE BARN OPTION (REQUIRES A LEAN-TO
ON BOTH SIDES OF THE MAIN BUILDING).



BRACE SECTION

SCALE: NTS

**MOORE AND ASSOCIATES
ENGINEERING AND CONSULTING, INC.**

DRAWN BY: LT

CHECKED BY: PDH

PROJECT MGR: WSM

CLIENT: EAGLE CARPORTS

**EAGLE CARPORTS
210 AIRPORT ROAD
MOUNT AIRY, NC 27030
30'-0"x20'-0" SP ENCLOSED STRUCTURE**

DATE: 8-19-21

SHT. 15B

SCALE: NTS

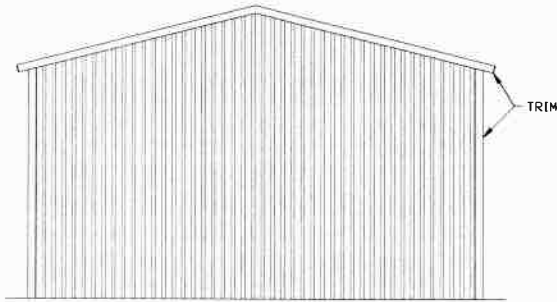
DWG. NO: SK-3

**JOB NO: 16166S/
18260S/19320S/21169S**

REV: 9

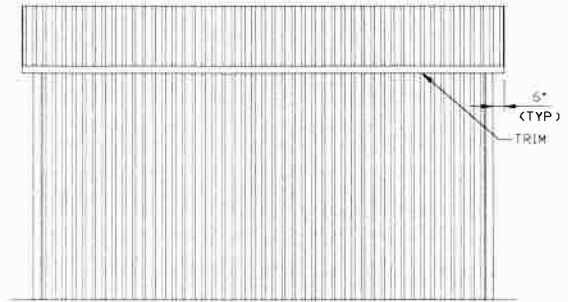
THIS DOCUMENT IS THE PROPERTY OF MOORE AND ASSOCIATES ENGINEERING AND CONSULTING. THE UNAUTHORIZED REPRODUCTION, COPYING, OR OTHERWISE USE OF THIS DOCUMENT IS STRICTLY PROHIBITED AND ANY INFRINGEMENT THEREUPON MAY BE SUBJECT TO LEGAL ACTION.

BOX EAVE RAFTER VERTICAL ROOF/SIDING OPTION



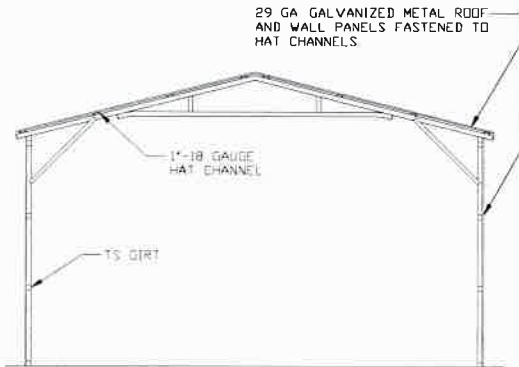
**TYPICAL END ELEVATION
VERTICAL ROOF/SIDING**

SCALE: NTS



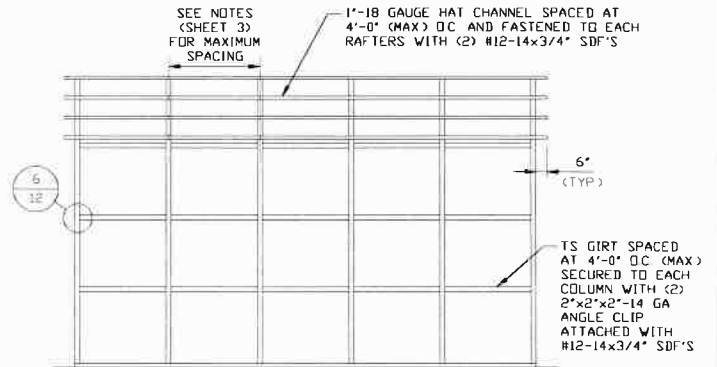
**TYPICAL SIDE ELEVATION
VERTICAL ROOF/SIDING**

SCALE: NTS



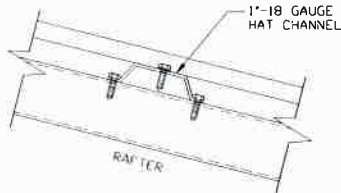
**TYPICAL SECTION VERTICAL
ROOF/SIDING OPTION**

SCALE: NTS



**TYPICAL FRAMING SECTION
VERTICAL ROOF/SIDING OPTION**

SCALE: NTS



PANEL ATTACHMENT

(ALTERNATE FOR VERTICAL ROOF PANELS)
SCALE: NTS

**MOORE AND ASSOCIATES
ENGINEERING AND CONSULTING, INC.**

DRAWN BY: LT

CHECKED BY: PDH

PROJECT MGR: WSM

CLIENT: EAGLE CARPORTS

**EAGLE CARPORTS
210 AIRPORT ROAD
MOUNT AIRY, NC 27030
30-0"x20'-0" SP ENCLOSED STRUCTURE**

DATE: 8-19-21

SHT. 16

SCALE: NTS

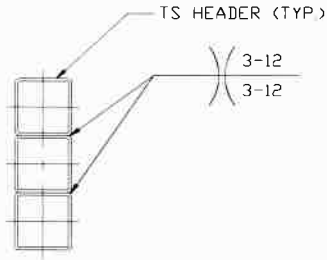
DWG. NO: SK-3

**JOB NO: 16166S/
18260S/19320S/21169S**

REV: 9

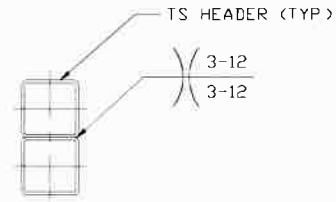
THIS DOCUMENT IS THE PROPERTY OF MOORE AND ASSOCIATES ENGINEERING AND CONSULTING. THE UNAUTHORIZED REPRODUCTION, COPYING, OR OTHERWISE USE OF THIS DOCUMENT IS STRICTLY PROHIBITED AND ANY INFRINGEMENT THEREUPON MAY BE SUBJECT TO LEGAL ACTION.

SIDE WALL HEADER OPTIONS



**HEADER DETAIL FOR
12'-0' < LENGTHS ≤ 16'-0'**

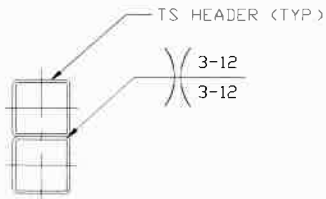
SCALE: NTS



**HEADER DETAIL FOR
LENGTHS ≤ 12'-0'**

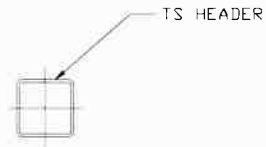
SCALE: NTS

END WALL HEADER OPTIONS



**HEADER DETAIL FOR
14'-0' < LENGTHS ≤ 20'-0'**

SCALE: NTS



**HEADER DETAIL FOR
LENGTHS ≤ 14'-0'**

SCALE: NTS

**MOORE AND ASSOCIATES
ENGINEERING AND CONSULTING, INC.**

DRAWN BY: LT

CHECKED BY: PDH

PROJECT MGR: WSM

CLIENT: EAGLE CARPORTS

**EAGLE CARPORTS
210 AIRPORT ROAD
MOUNT AIRY, NC 27030
30'-0"x20'-0" SP ENCLOSED STRUCTURE**

DATE: 8-19-21

SHT. 17

SCALE: NTS

DWG. NO: SK-3

**JOB NO: 16166S/
18260S/19320S/21169S**

REV: 9

THIS DOCUMENT IS THE PROPERTY OF MOORE AND ASSOCIATES ENGINEERING AND CONSULTING. THE UNAUTHORIZED REPRODUCTION, COPYING, OR OTHERWISE USE OF THIS DOCUMENT IS STRICTLY PROHIBITED AND ANY INFRINGEMENT THEREUPON MAY BE SUBJECT TO LEGAL ACTION.