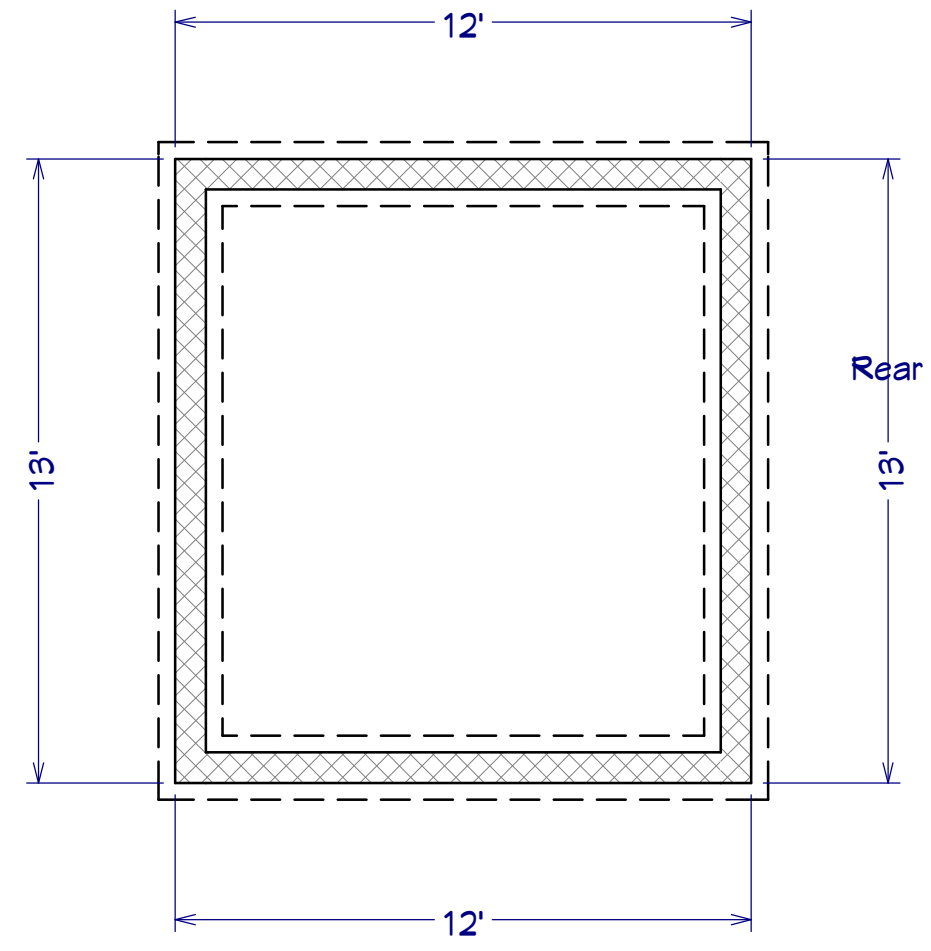
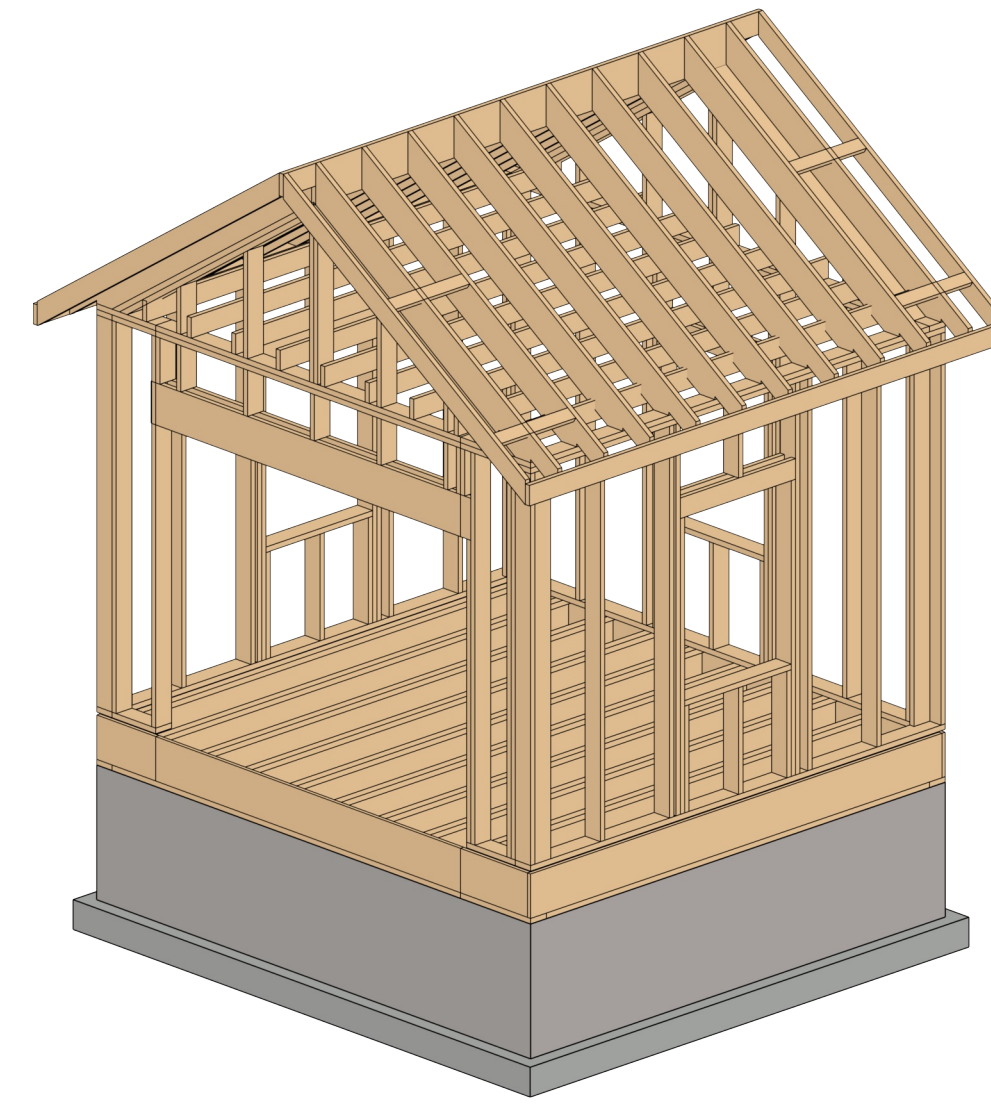


Front



2"x10"x12' floor joist
 r19 floor insulation
 r15 walls "
 r28 ceiling "
 footing 18"w x18" depth
 8" concrete

125 Irene ct
 Fuquay, NC



Camera 2

2"x4"x93" studs
 cinder block foundation
 2"x8" rafters
 2"x6" ceiling joists
 2-2"x10" headers

NO.	DESCRIPTION	BY	DATE

SHEET TITLE:
SHEET TITLE

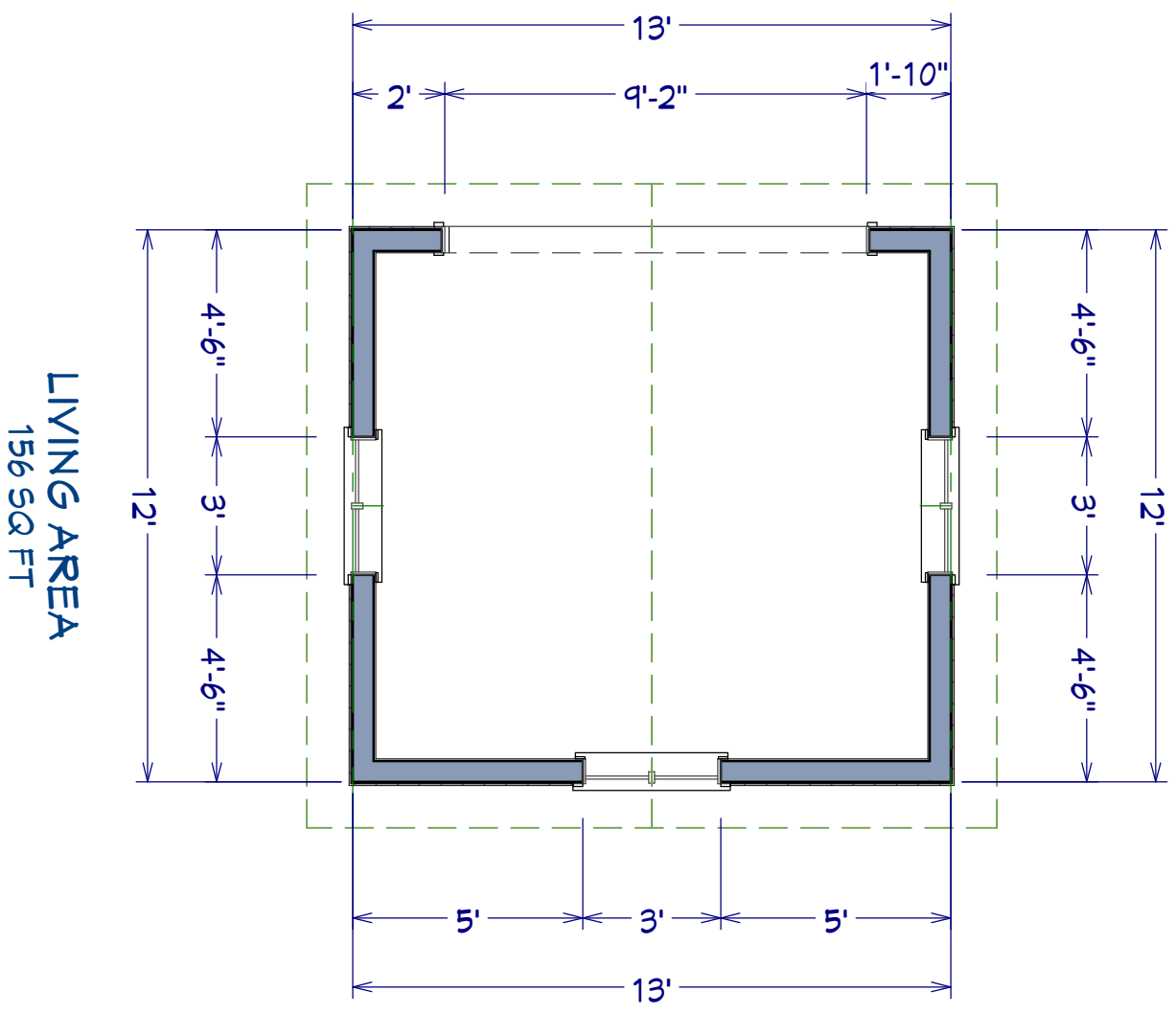
PROJECT DESCRIPTION:
PROJECT

DRAWINGS PROVIDED BY:
DESIGNER

DATE:

SCALE:

SHEET:
A-1



NO.	DESCRIPTION	BY	DATE

SHEET TITLE:

PROJECT DESCRIPTION:

DRAWINGS PROVIDED BY:

DATE:

SCALE:

SHEET:

A-2