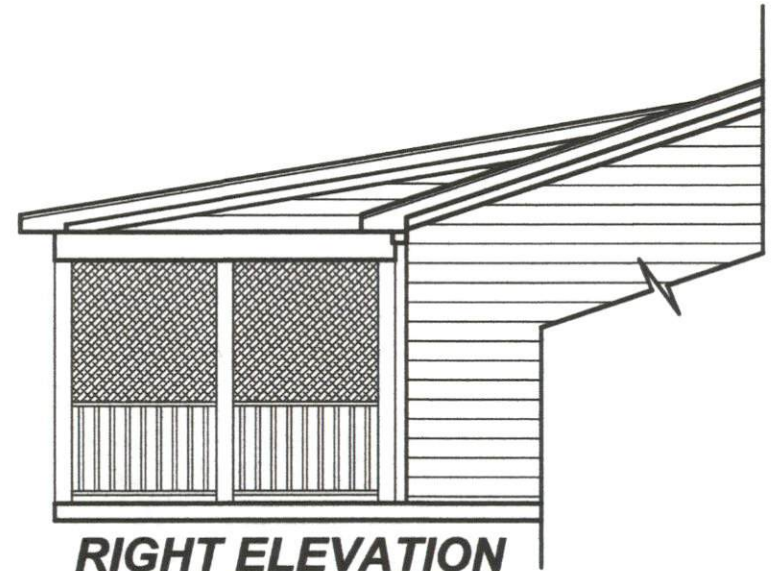


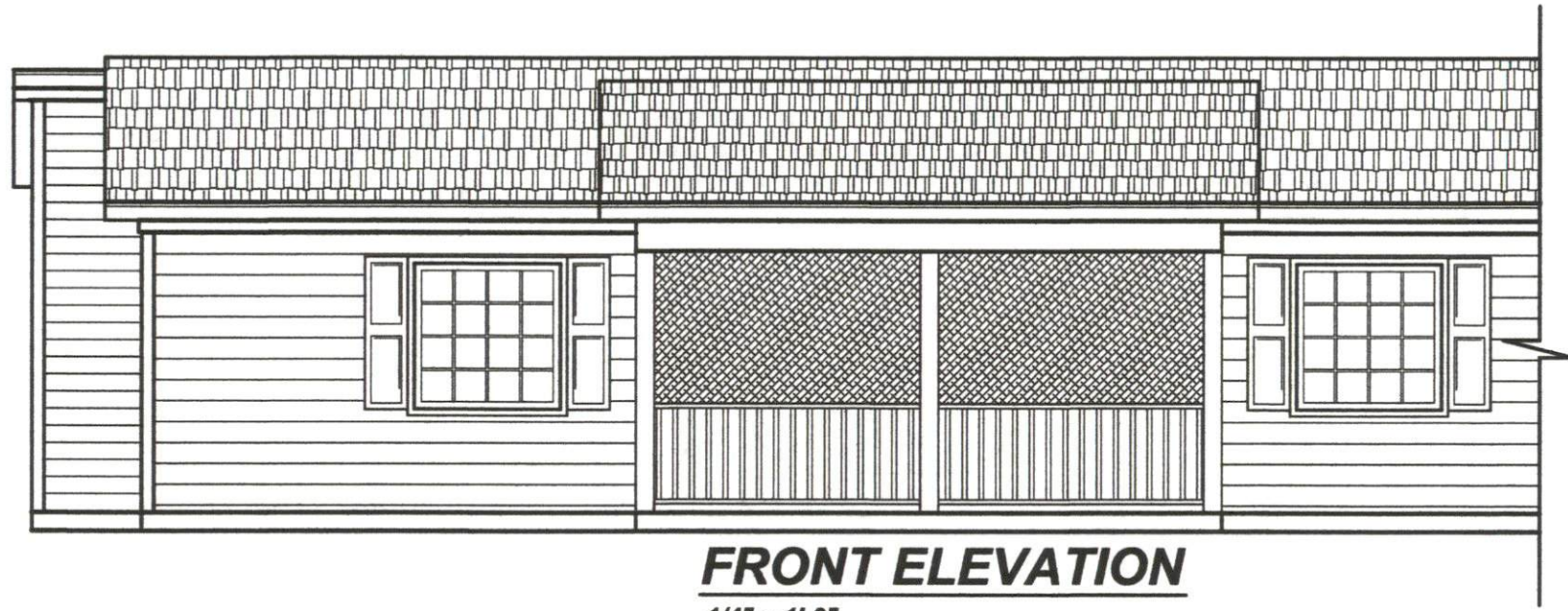
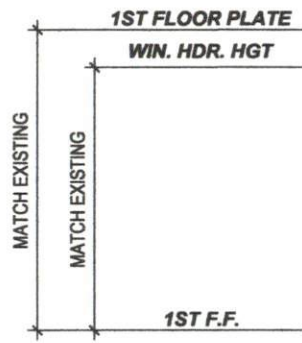
**LEFT ELEVATION**

**$1/4" = 1'-0"$**



**RIGHT ELEVATION**

**$1/4" = 1'-0"$**



**FRONT ELEVATION**

**$1/4" = 1'-0"$**

Concrete Slab with 10"x12" Turndown  
Footers

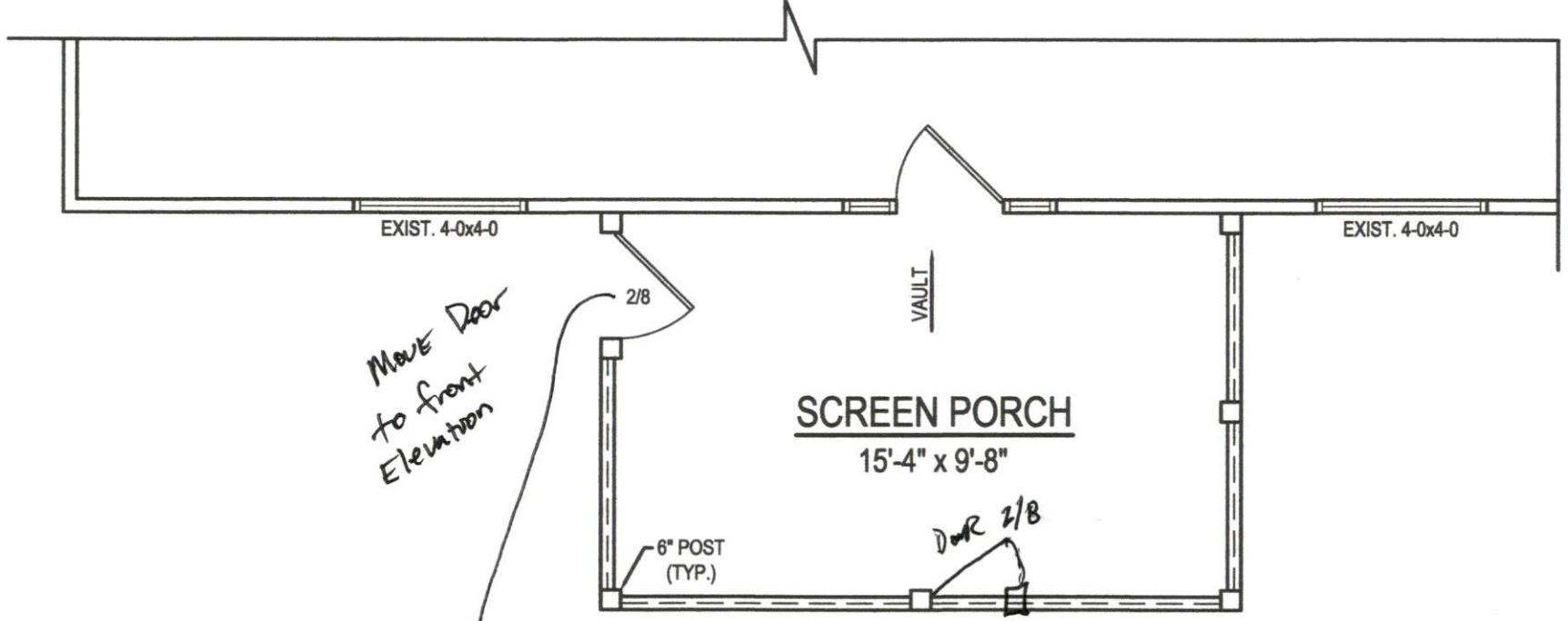
6x16 Post

36" Knee wall

2x6 Rafters 16" O.C. with Kicker wall running on existing  
wall.

Double 2x10 Ledger

2x4 wall Frame 16" O.C.



Move Door  
to front  
Elevation

**SCREEN PORCH**

15'-4" x 9'-8"

**FIRST FLOOR PLAN**

1/4" = 1'-0"

CEILING HT. = 9'-0"

- [Thin line] = EXISTING WALL
- [Thick line] = NEW WALL