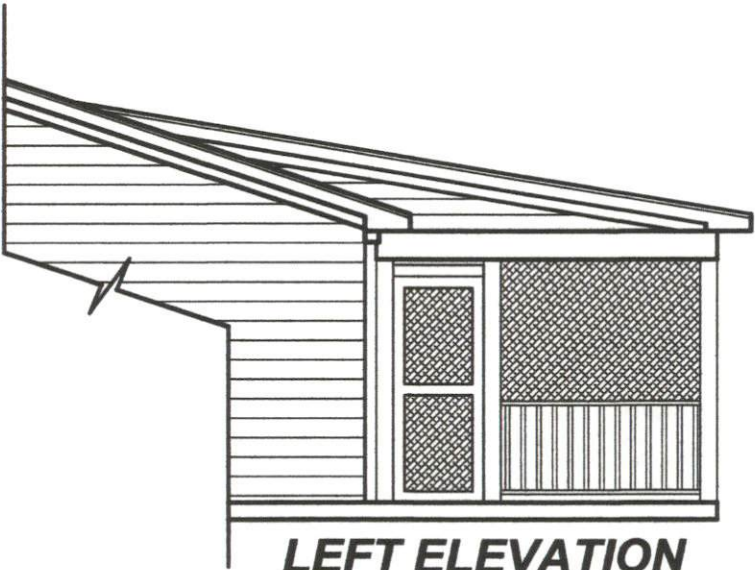
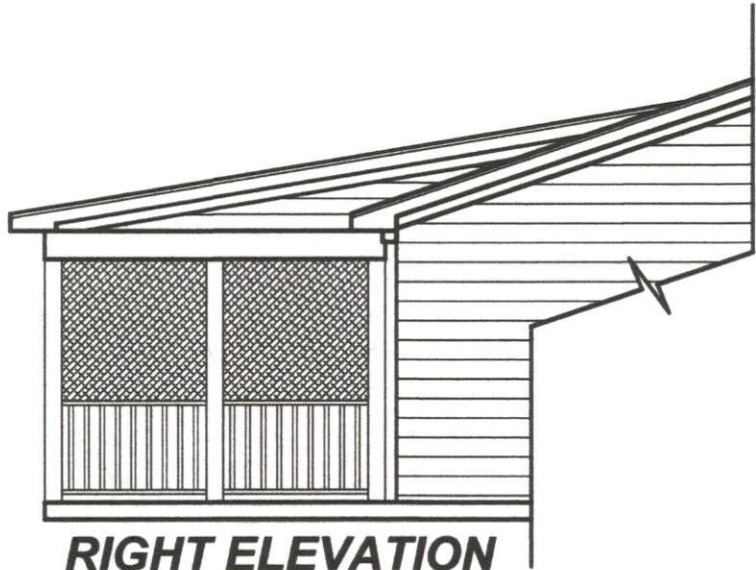


NEED TO CONTRACTOR
APPROVED
06/22/2023
Harnett
COUNTY
NORTH CAROLINA



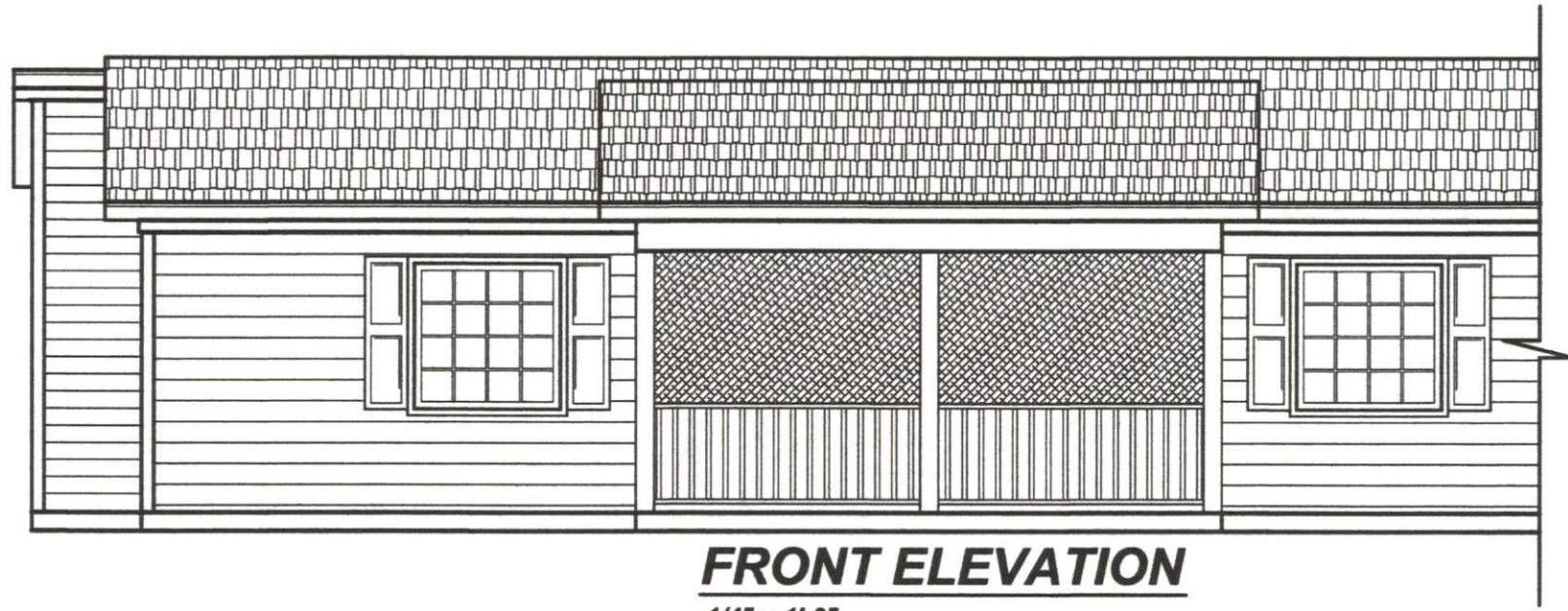
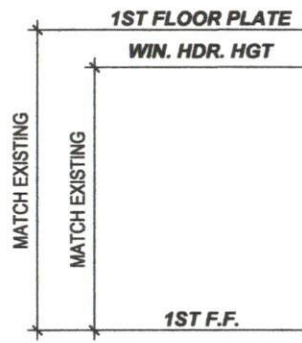
LEFT ELEVATION

1/4" = 1'-0"



RIGHT ELEVATION

1/4" = 1'-0"



FRONT ELEVATION
1/4" = 1'-0"

Concrete Slab with 10"x12" Turndown
Footers

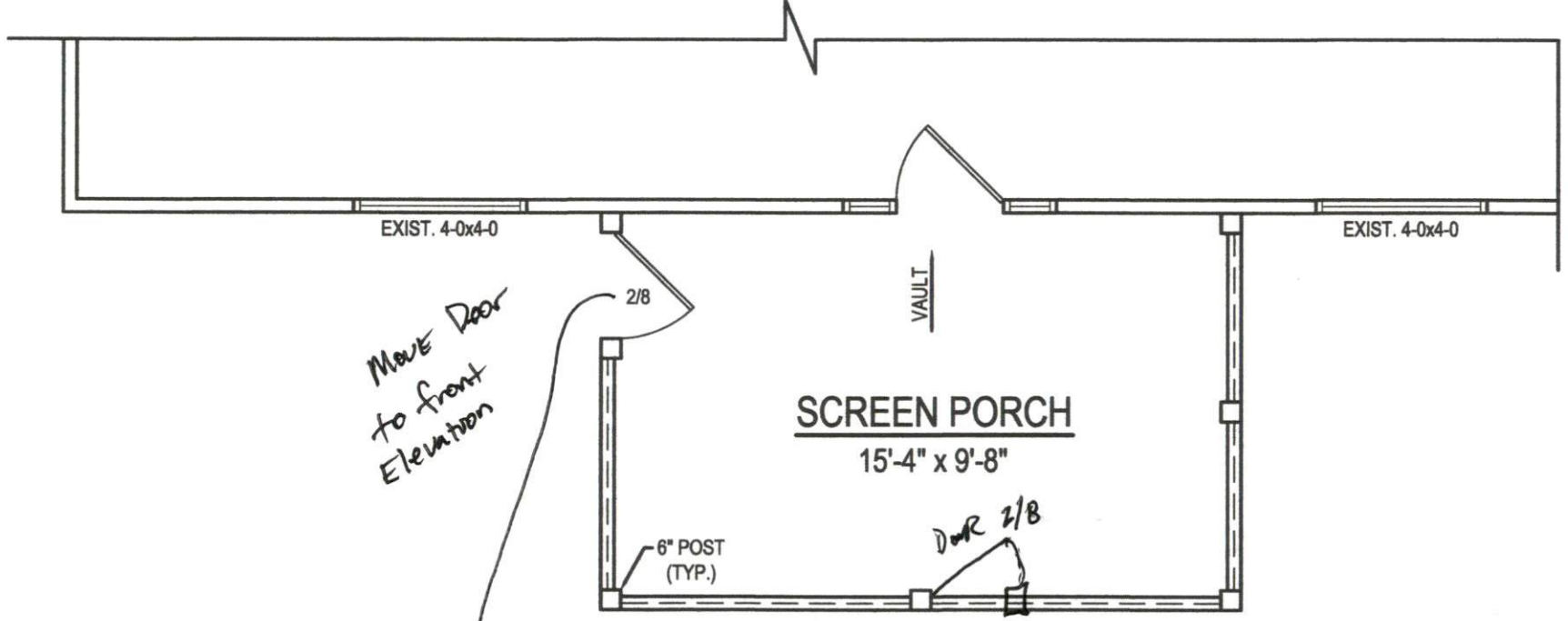
6x16 Post

36" Knee wall

2x6 Rafters 16" O.C. with Kicker wall running on existing
wall.

Double 2x10 Ledger

2x4 wall Frame 16" O.C.



Move Door
to front
Elevation

SCREEN PORCH

15'-4" x 9'-8"

FIRST FLOOR PLAN

1/4" = 1'-0"

CEILING HT. = 9'-0"

- [Thin line] = EXISTING WALL
- [Thick line] = NEW WALL