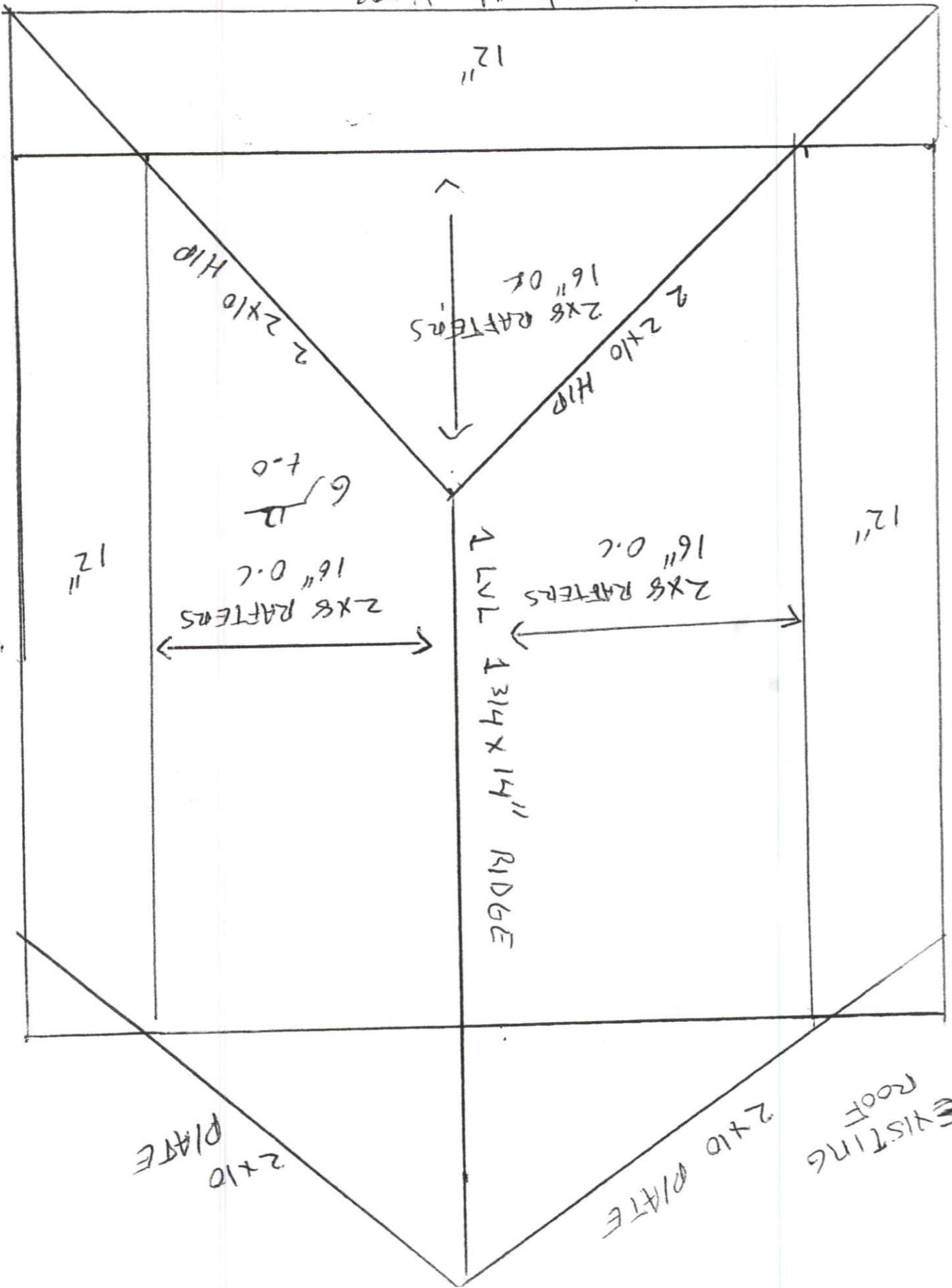


Fidel Soto Martinez  
52 Ken Lane Fuquay Varina  
N.C. 27526



EXISTING  
ROOF

2x10 PLATE

2x10  
PLATE

(1) LVL 1 3/4" x 14" RITGE

L-70 EACH RAFTER

2x8 RAFTER 16" o.c

2x6 C-J 16" o.c

ROOF 6/12 7-0

2x8 RAFTER

(4) LVL 1 3/4" x 11 7/8" BEAM

hurricane clips

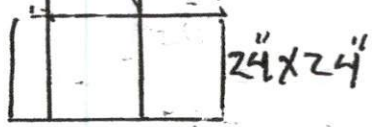
L-70

L-70

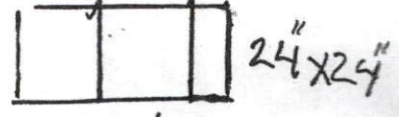
8x8 Post

8x8 Post

Fidel Soto Martinez  
52 Ken Lane  
Fuquay Varina  
NC. 27526



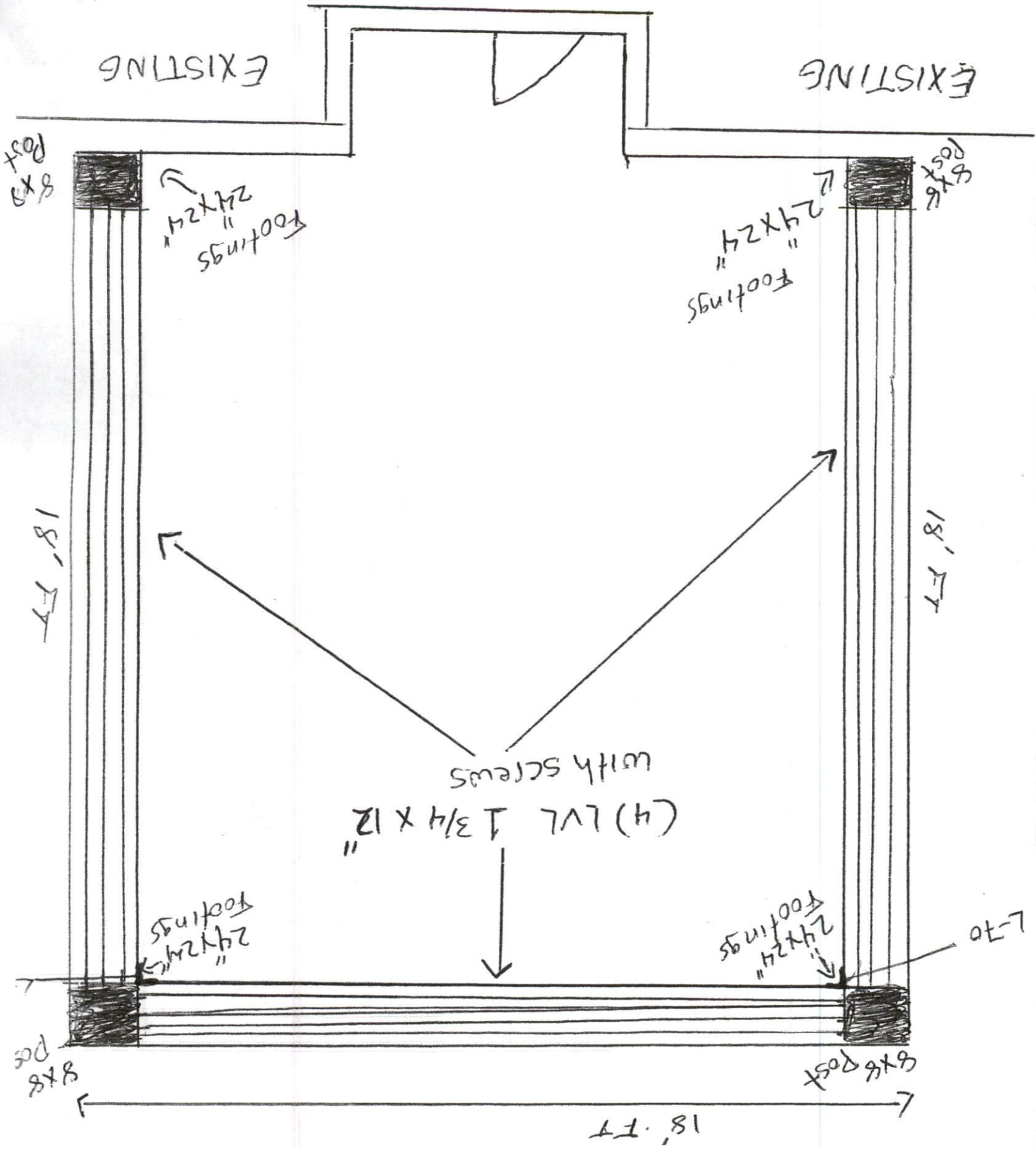
Footing



Footing

2x6 12"

Fidel 50th Martinez 52 Ken Lane Fuquay Varina NC 27526



EXISTING

EXISTING

2x4x24\" Footings

2x4x24\" Footings

8x6 Post

8x6 Post

18' FT

18' FT

with screws

(4) LVL 1 3/4 x 12\"

2x4x24\" Footings

2x4x24\" Footings

8x6 Post

8x6 Post

18' FT

L-70