

Trenco
818 Soundside Rd
Edenton, NC 27932

Re: 27202
David Johnson/Smith

The truss drawing(s) referenced below have been prepared by Truss Engineering Co. under my direct supervision based on the parameters provided by C & R Truss.

Pages or sheets covered by this seal: I57134066 thru I57134066

My license renewal date for the state of North Carolina is December 31, 2023.

North Carolina COA: C-0844

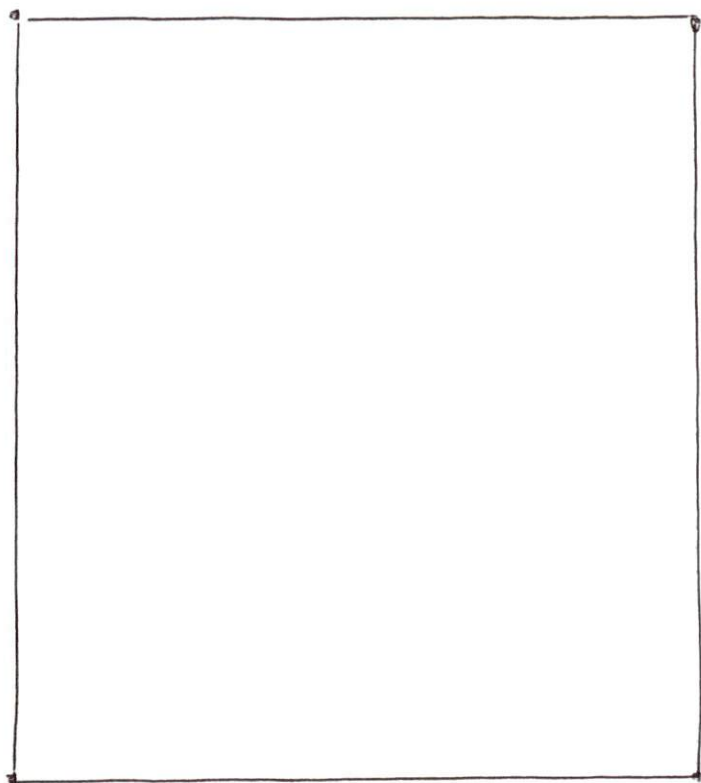


March 13, 2023

Gilbert, Eric

IMPORTANT NOTE: The seal on these truss component designs is a certification that the engineer named is licensed in the jurisdiction(s) identified and that the designs comply with ANSI/TPI 1. These designs are based upon parameters shown (e.g., loads, supports, dimensions, shapes and design codes), which were given to MiTek or TRENCO. Any project specific information included is for MiTek's or TRENCO's customers file reference purpose only, and was not taken into account in the preparation of these designs. MiTek or TRENCO has not independently verified the applicability of the design parameters or the designs for any particular building. Before use, the building designer should verify applicability of design parameters and properly incorporate these designs into the overall building design per ANSI/TPI 1, Chapter 2.

* FRONT SHELFER HAS 6x6
POST 10' oc. + 2-9/4 LVL'S.
* SHELFER RAFTERS ARE 2x8 2'-oc.



45x50
STORAGE
BUILDING
WITH
10x50
SHELFER

29 GA.
METAL ROOFING
AND SIDING

2X4 PURLINS
2'-O.C.

2-2X10
HEADERS

2.5
HURICANE

PRE-ENGINEERED
TRUSS 2'-OC

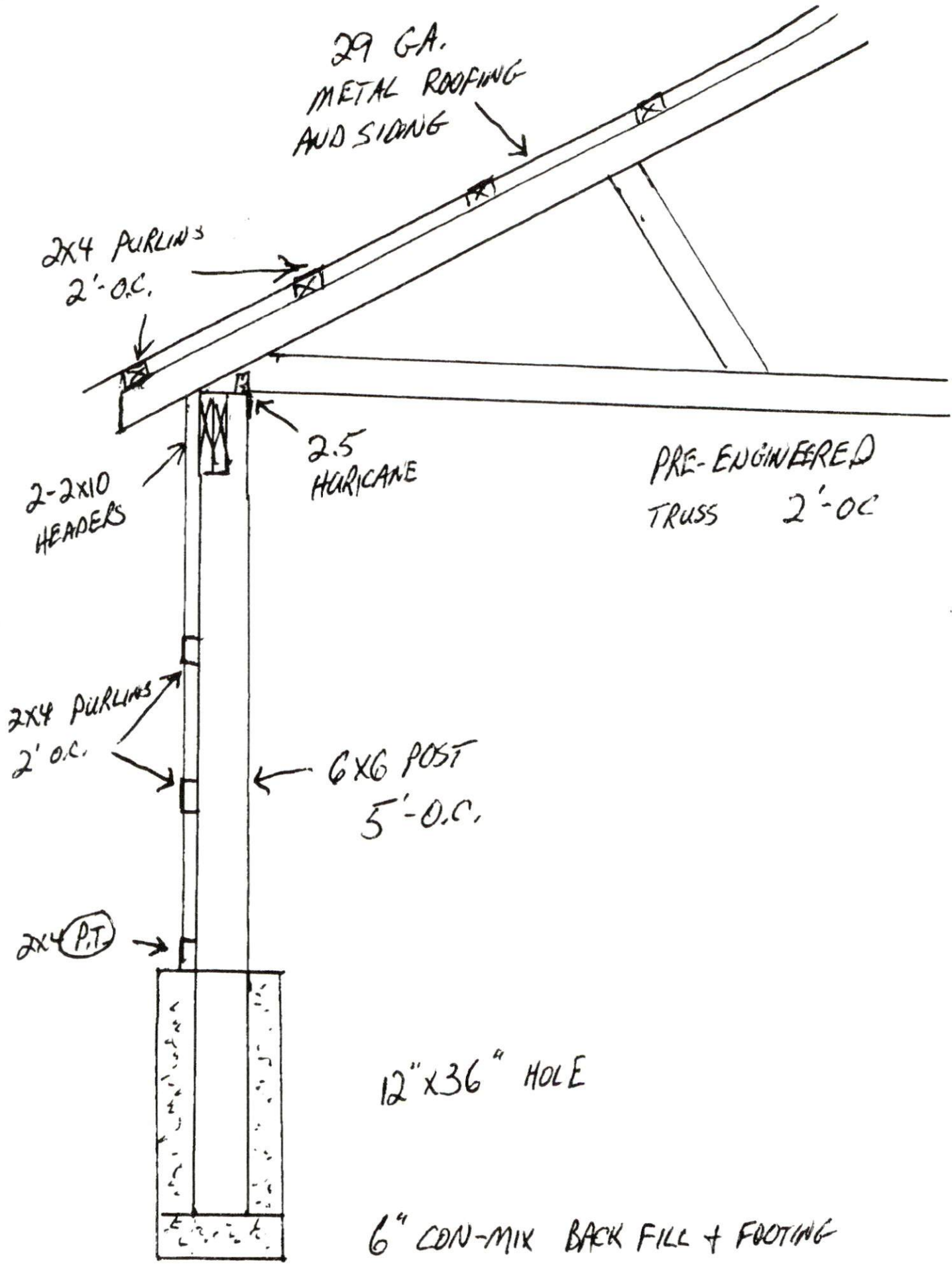
2X4 PURLINS
2' O.C.

6X6 POST
5'-O.C.

2X4 P.T.

12" X 36" HOLE

6" CON-MIX BACK FILL + FOOTING



The building will be a pole barn storage building 45x50 with a 10 foot lean to.

It will be a concrete floor with no plumbing and wired for lights and receptacles.