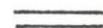

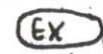


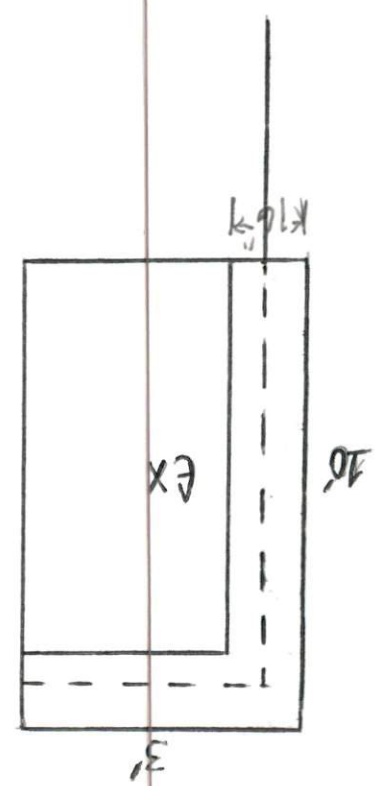
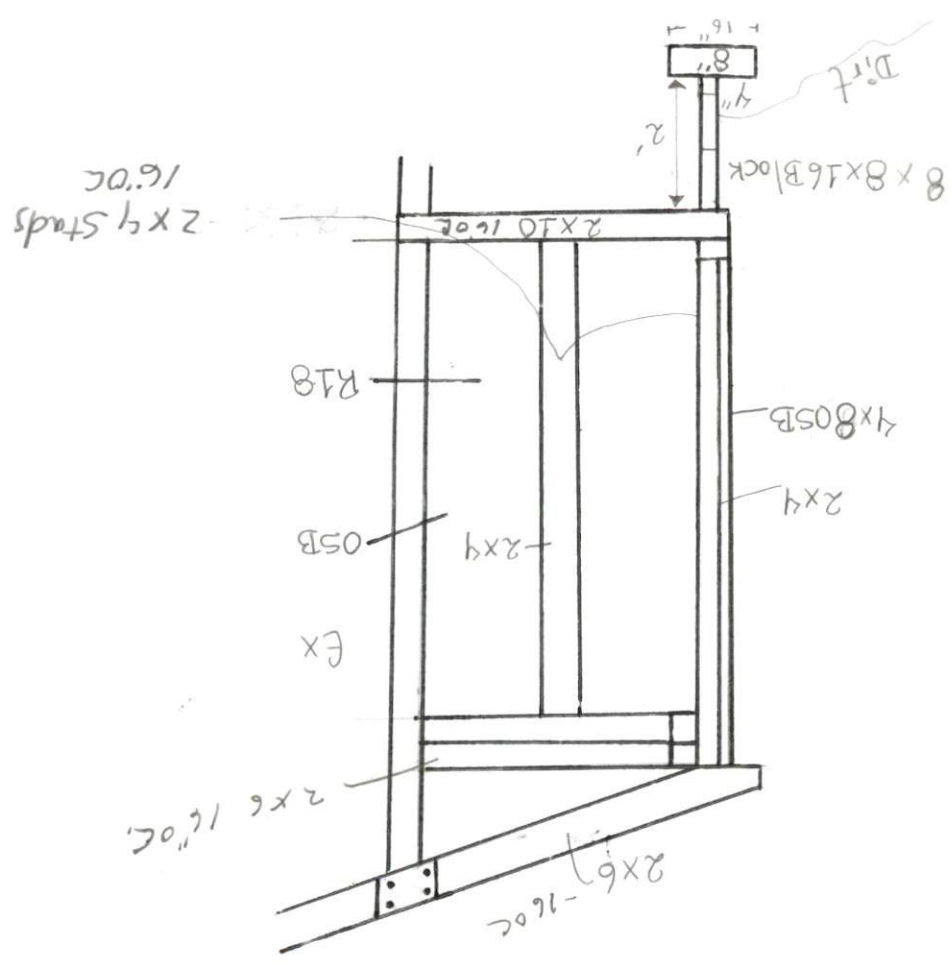
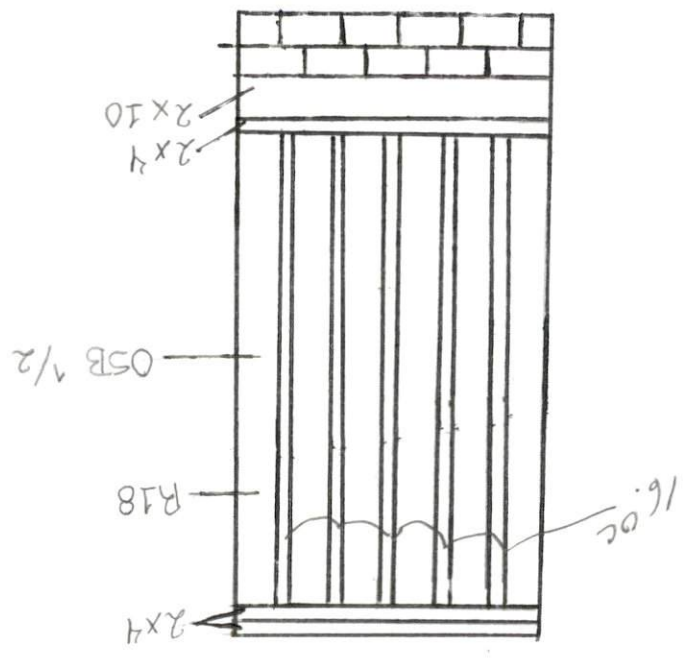


LEGEND

-  Existing wall
-  New wall flush with existing eastern wall
-  Existing door 2'-8" x 6'-8" to remain
-  Existing window 2'-3" x 3'-8" to remain
-  Existing window 2'-3" x 3'-8" to be a 2'-3" x 6'-8" closet door.

50'



6x10 Closet Expansion