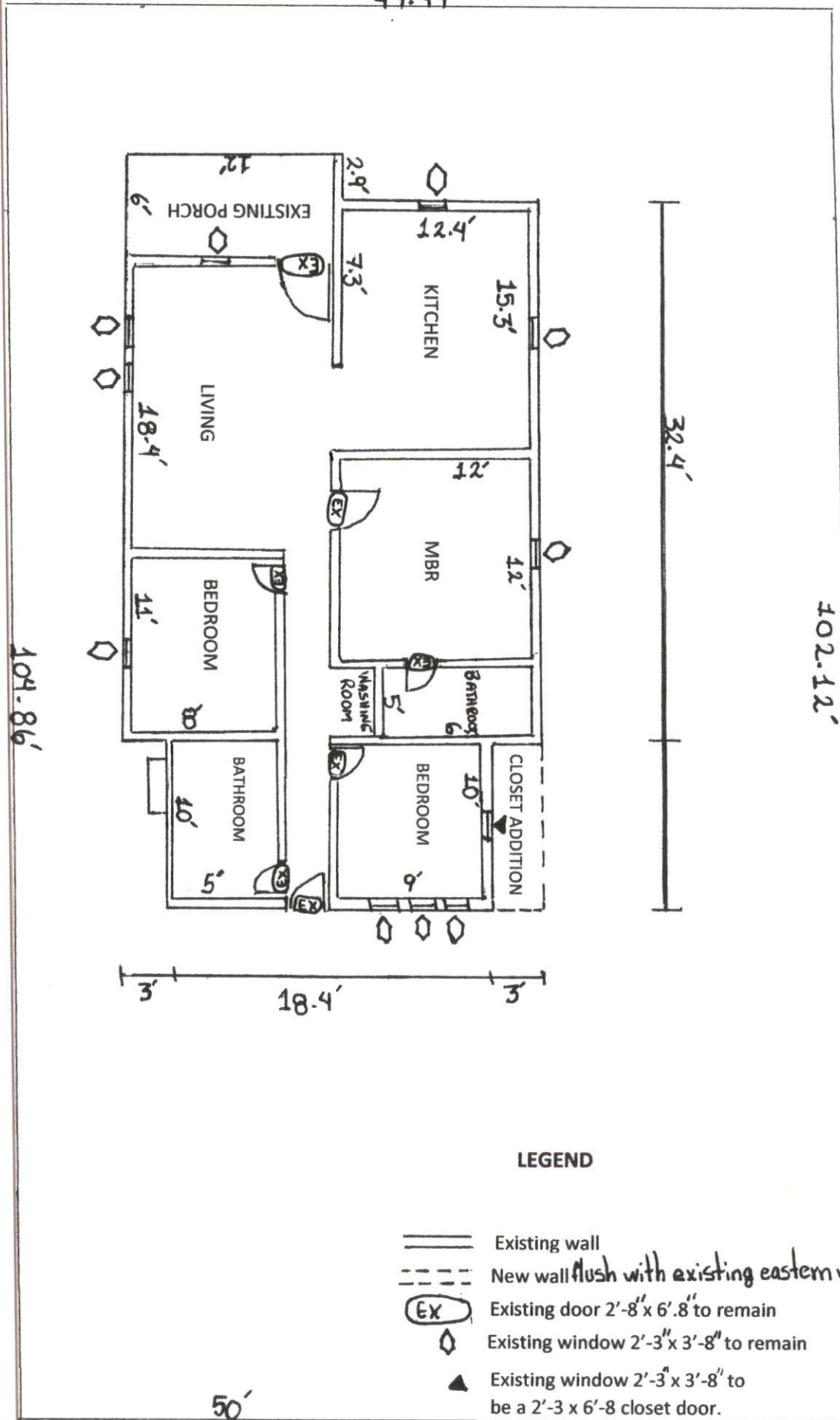


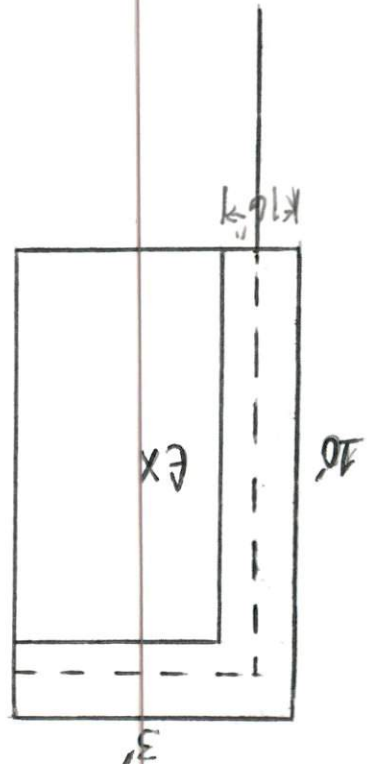
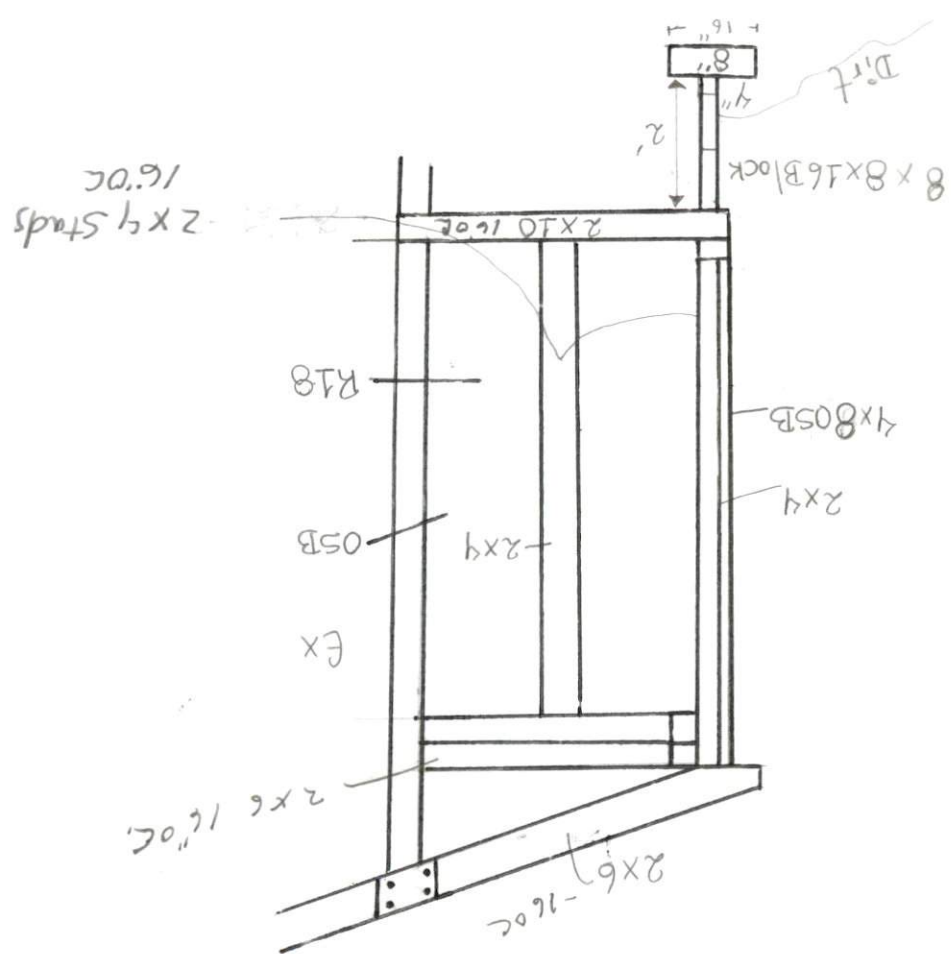
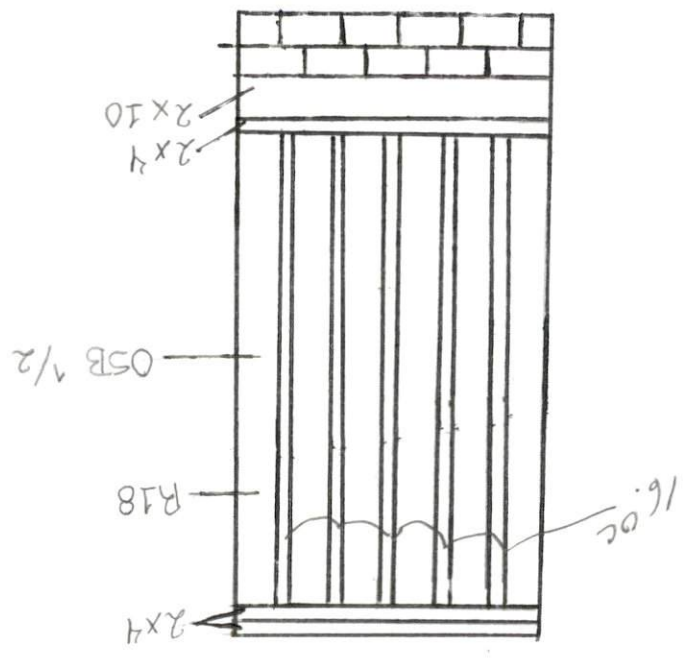


49.94'



LEGEND

- Existing wall
- New wall flush with existing eastern wall
- Existing door 2'-8" x 6'-8" to remain
- Existing window 2'-3" x 3'-8" to remain
- Existing window 2'-3" x 3'-8" to be a 2'-3 x 6'-8 closet door.



6x10 Closet Expansion