

14 April 2023

*Downing Construction LLC
603 Denim Drive
Erwin NC 28339*

*Project: 279 Lenoir Dr.
Spring Lake NC 28390*

Elevator Shaft

*Foundation- Typical excavated footing
Brick/cmu foundation*

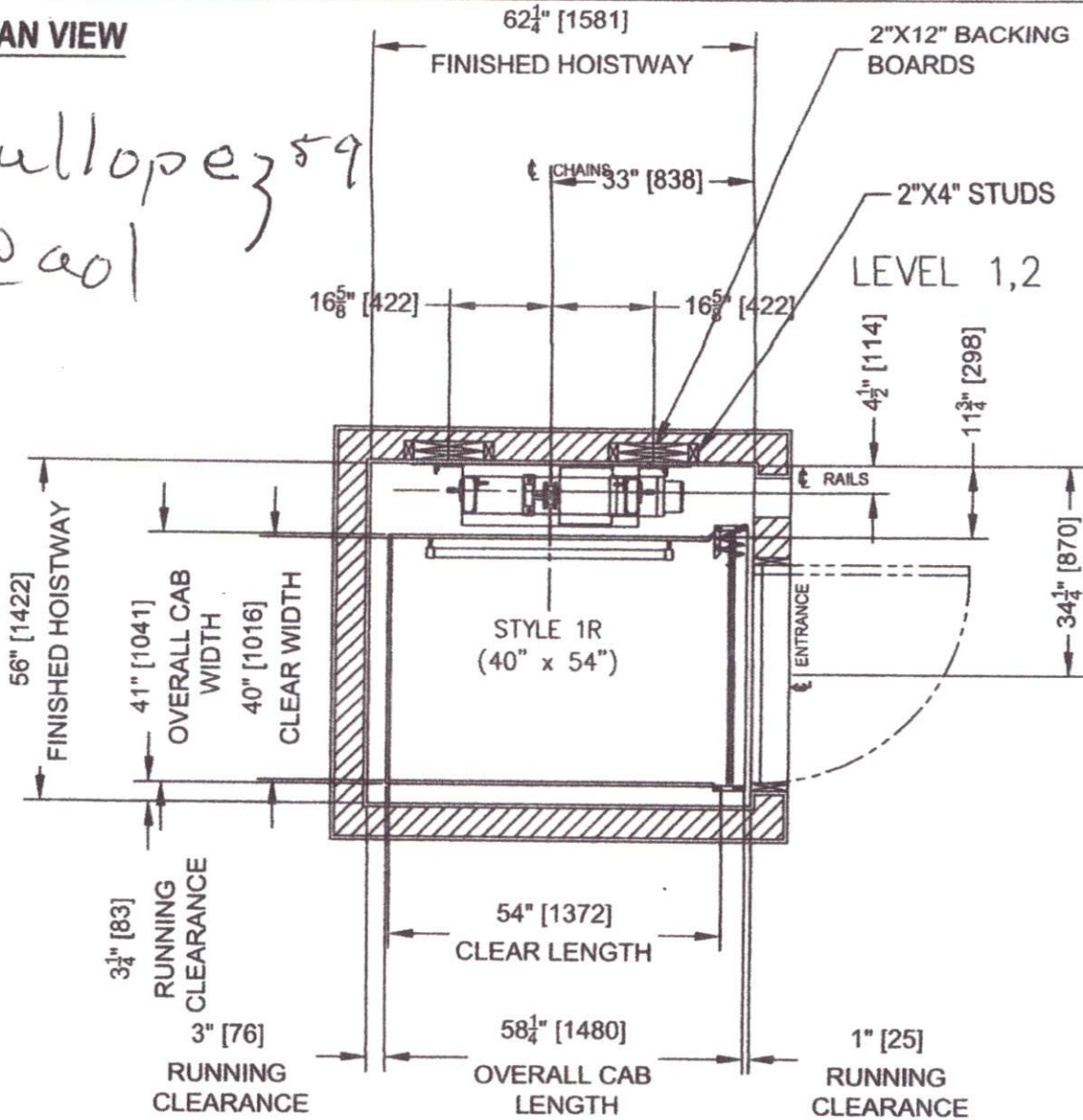
Floor- 10" concrete slab

*Framing- 2"x4" wall framing 16" oc
1/2" plywood sheathing both sides*

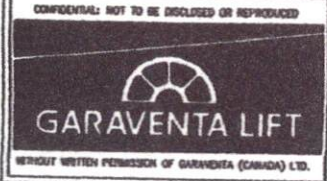
Exterior- Vinyl siding, roofing shingles to match home

PLAN VIEW

*raullopez59
@aol*



A	REV A=INITIAL RELEASE. FOR ALL OTHERS SEE REVISION HISTORY (SHEET 6)	UNITS: MM [INCHES]	JAN/23/18	butogold
REV.	SCALE: N.T.S. TOLERANCES: DIMENSIONAL ± 3 [$\pm 1/8$] ANGULAR $\pm 1^\circ$	PROJECTION:	DATE	DRN.BY CHK.BY



ELVORON MR iGOLDD-DRAWING
 40X54 CAB - LEFT HAND DOORS
 5704 NIXON LANE
 CASTLE HAYNE NC 28409
 PORT CITY ELEVATOR - (910)-790-9300

38008-IG-A

SPECIFICATIONS

THIS LIFT IS MANUFACTURED IN ACCORDANCE WITH: ASME A17.1- SEC. 5.3

CAB OPTION & FINISHES

CAB CONFIGURATION: Style-1R
 CAR GATE: YES
 CAR GATE FINISH: Nickel/White Vinyl w/3 Clear Panels
 CAR GATE OPERATION: Manual Accordion Gate
 CAR STOP/ALARM SWITCH: Maintained Rocker Sw.
 SEPARATE CAR ALARM SWITCH: No
 C.O.P. SIZE: Standard
 C.O.P. KEY SWITCH: Keyless C.O.P.

 C.O.P. FINISH: #4 Brushed Stainless Steel
 IN-CAR DIRECTION INDICATOR: No Direction Indicator
 CAR WALL PANEL FINISH: 1/2in. Unfin. **TBD** Vnr.
 CAR CEILING PANEL FINISH: 3/4in. White Mel'rn.
 CAR PLATFORM FINISH: Plywood (Fin. By Others)
 HANDRAIL TYPE/FINISH: #4 Brushed Stainless Steel
 EXTRA HANDRAIL(S): N/A
 TELEPHONE: Telephone Box Only
 TELEPHONE BOX FINISH: Recessed Box in #4 Brushed SS
 CAR LIGHTING: 4 Recessed LED Lights - White Trim
 CAR HEIGHT: 84"
 CAR SIZE (Width x Length): 40" x 54"
 CAR ALUM. FRAME PAINT: N/A

CONTROLS

OPERATION: Collective Automatic
 HALL STATION TYPE: Call Button
 HALL STATION KEY: Keyless Hall Stations
 HALL STATION MOUNTING: Flush Mount Remote
 HALL STATION FINISH: #4 Brushed Stainless Steel
 POSITION INDICATORS(LANDING): N/A
 DIRECTION INDICATORS(LANDING): N/A
 PUSH BUTTON MARK FLR-1 DR-1: 1
 PUSH BUTTON MARK FLR-2 DR-1: 2
 PUSH BUTTON MARK FLR-3 DR-1:
 PUSH BUTTON MARK FLR-4 DR-1:
 PUSH BUTTON MARK FLR-5 DR-1:
 PUSH BUTTON MARK FLR-6 DR-1:

CONCURRENT LANDING CONTROL CALL BUTTONS

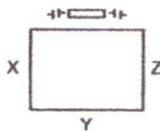
PUSH BUTTON MARK FLR-1 DR-2:
 PUSH BUTTON MARK FLR-2 DR-2:
 PUSH BUTTON MARK FLR-3 DR-2:
 PUSH BUTTON MARK FLR-4 DR-2:
 PUSH BUTTON MARK FLR-5 DR-2:
 PUSH BUTTON MARK FLR-6 DR-2:

DOOR OPTION & FINISHES

LANDING DOORS: Doors by Others
 DOOR FINISH: N/A
 INTERLOCKS: Honeywell-RDI
 DOOR OPERATION: Manual Doors

 1st FLR. DOOR LOCATION (XYZ): Z
 1st FLR. DOOR HANDING: LH
 2nd FLR. DOOR LOCATION (XYZ): Z
 2nd FLR. DOOR HANDING: LH
 3rd FLR. DOOR LOCATION (XYZ): Z
 3rd FLR. DOOR HANDING: LH
 4th FLR. DOOR LOCATION (XYZ): Z
 4th FLR. DOOR HANDING: LH
 5th FLR. DOOR LOCATION (XYZ): Z
 5th FLR. DOOR HANDING: LH
 6th FLR. DOOR LOCATION (XYZ): Z
 6th FLR. DOOR HANDING: LH

DOOR LOCATION KEY PLAN



TECHNICAL DETAILS

INSTALLATION TYPE: Private Residence
 MAXIMUM CAPACITY: 1000 [454Kg]
 RATED SPEED (nom.): 40 [0.20 m/s]
 POWER SUPPLY: 230V 1Ph. 60 Hz
 RAIL BRACKET FASTENERS: Lag Bolts
 MAXIMUM RAIL SECTION LENGTH: 8 foot [2438 mm]

 EMERGENCY POWER SUPPLY: UPS Backup
 SHELF FOR UPS: YES
 # of FLOORS SERVED: 2 Stops
 SYSTEM: IN-LINE HELICAL GEARED (2)- ANSI B29.1 #60 ROLLER CHAINS
 ROPES: 183.00 [4648 mm] TYPE 'A' (INSTANTANEOUS)
 CHAIN LENGTH: 2HP
 SAFETIES: 42.18:1 IN-LINE HELICAL REDUCTION GEAR
 MOTOR HORSEPOWER: #60 DOUBLE-SINGLE, 16TEETH
 GEAR DATA: 450 [204Kg]
 SPROCKET DATA: 285 [129Kg]
 EST. CAR WEIGHT (lbs): 1764 [800Kg]
 EST. SLING WEIGHT (lbs): 600 LBS [273 KG]
 GROSS LOAD (lbs):
 COUNTERWEIGHT WEIGHT(lbs):
 DOOR MONITORING SYSTEM: NO

CONCURRENT LDG. DOORS: No Concurrent Landing Doors

1st FLR. 2nd DOOR LOCATION (XYZ):
 1st FLR. 2nd DOOR HANDING:
 2nd FLR. 2nd DOOR LOCATION (XYZ):
 2nd FLR. 2nd DOOR HANDING:
 3rd FLR. 2nd DOOR LOCATION (XYZ):
 3rd FLR. 2nd DOOR HANDING:
 4th FLR. 2nd DOOR LOCATION (XYZ):
 4th FLR. 2nd DOOR HANDING:
 5th FLR. 2nd DOOR LOCATION (XYZ):
 5th FLR. 2nd DOOR HANDING:
 6th FLR. 2nd DOOR LOCATION (XYZ):
 6th FLR. 2nd DOOR HANDING:

MISCELLANEOUS DETAILS

TRAVELLING CABLE LENGTH (FT): N/A
 TECH TOOLS: DIGITAL TECH. DIAGNOSTIC DISPLAY
 WARRANTY: Standard 2 Year Warranty

SPECIAL NOTES

-

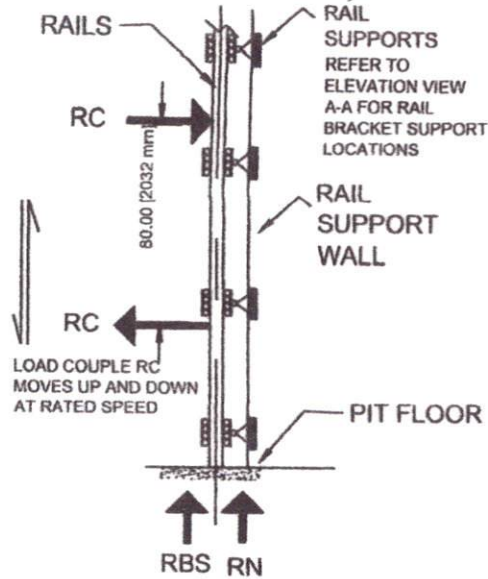
A	REV A=INITIAL RELEASE. FOR ALL OTHERS SEE REVISION HISTORY (SHEET 6)	UNITS: MM [INCHES]	JAN/23/18	putogold	
REV.	SCALE: N.T.S.	TOLERANCES: DIMENSIONAL ±3 [±1/8] ANGULAR ±1°	PROJECTION:	DATE	DRN.BY



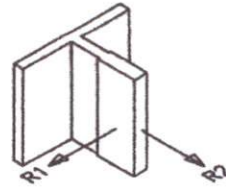
ELVORON MR IGOLDD-DRAWING
 40X54 CAB – LEFT HAND DOORS
 5704 NIXON LANE
 CASTLE HAYNE NC 28409 PAGE 3 OF 7
 PORT CITY ELEVATOR – (910)-790-9300

38008-IG-A

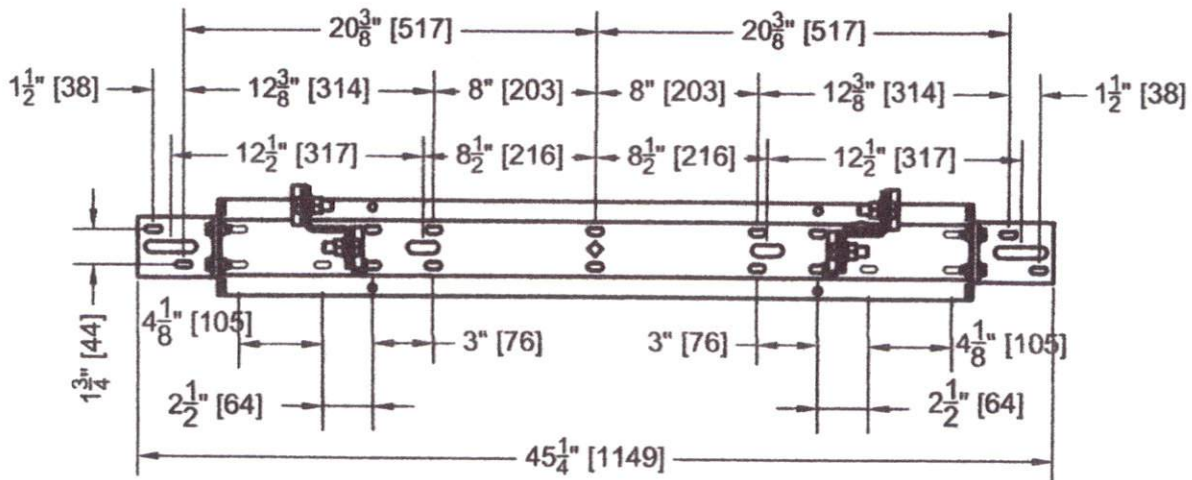
LOADING DIAGRAM - INFORMATION



LOAD	DESCRIPTION	Lbf
RBS	REACTION DUE TO BUFFER OR SAFETY ENGAGEMENT	4468 [20.03 KN]
RN	REACTION DUE TO NORMAL OPERATION	2733 [12.25 KN]
RC	LOAD IMPOSED DURING NORMAL OR EMERGENCY OPERATION MAXIMUM PULL-OUT FORCE ON RAIL SUPPORT	485 [2.17 KN]
R1	RAIL REACTION 1	242 [1.08 KN]
R2	RAIL REACTION 2	84 [0.38 KN]

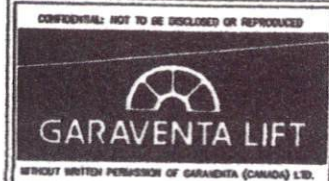


RAIL BRACKET DETAIL



SPECIAL NOTES

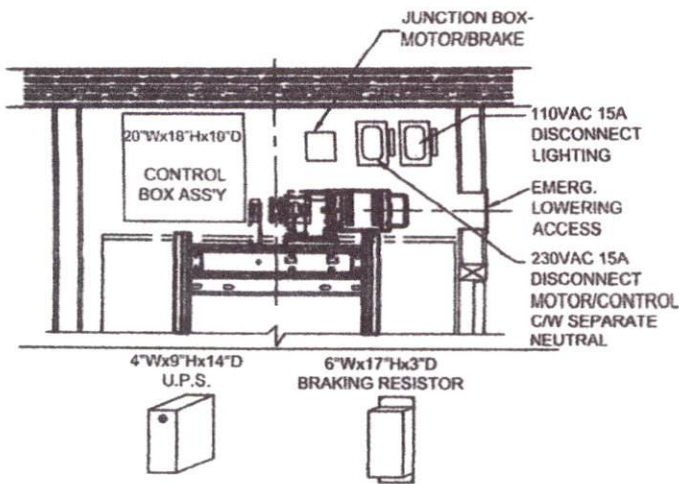
A	REV A=INITIAL RELEASE. FOR ALL OTHERS SEE REVISION HISTORY (SHEET 6)	UNITS: MM [INCHES]	JAN/23/18	autogold
REV.	SCALE: N.T.S.	TOLERANCES: DIMENSIONAL ±3 [±1/8] ANGULAR ±1°	PROJECTION:	DATE DRN.BY CHK.BY



ELVORON MR iGOLDD-DRAWING
 40X54 CAB - LEFT HAND DOORS
 5704 NIXON LANE
 CASTLE HAYNE NC 28409 PAGE 4 OF 7
 PORT CITY ELEVATOR - (910)-790-9300

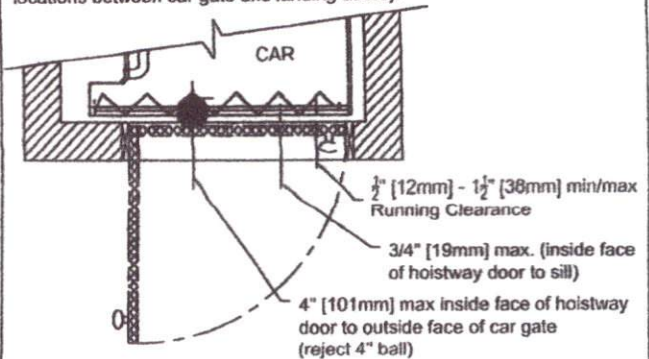
38008-IG-A

MACHINE AREA VIEW



3/4" & 4" DOOR & GATE RULE

The clearance between the hoistway doors or gates and the hoistway edges of the landing sills shall not exceed 3/4" [19mm]. The distance between the hoistway faces of the landing doors or gates and the car door or gate shall not exceed 4" [101mm]. (Reject 4" [101mm] ball at all locations between car gate and landing doors).



CONTROL LOCATION:
CONTROL BOX INSIDE HOISTWAY AT TOP, REMOTE MOUNT RESISTOR & U.P.S.

PROVISIONS BY OTHERS

MACHINE AREA:

1. ACCESS TO MACHINE AREA IS GAINED FROM THE TOP OF THE CAR

ELECTRICAL:

1. LOCKABLE FUSED DISCONNECT SWITCH TO BE PROVIDED FOR 230V 1Ph. POWER ALONG WITH A SEPARATE NEUTRAL WIRE c/w AUX. CONTACTS.
2. USE AUXILIARY CONTACTS IN DISCONNECT FOR EMERGENCY BACKUP. NO CONDUIT OR PIPING NOT ASSOCIATED WITH LIFT IN HOISTWAY.
3. PERMANENT POWER TO BE PROVIDED BEFORE INSTALLATION COMMENCES.

POWER SUPPLY REQUIREMENTS BY OTHERS

	VOLTS-PHASE-FREQUENCY	DISCONNECT SIZE	FUSE (DUAL ELEMENT SLOW-BLOW)	FULL LOAD CURRENT
MOTOR & EQUIP	230V 1Ph.	15A	15A	6.4 A
CAR LIGHTING SUPPLY	110 V-1Ph.	15 A	10 A	

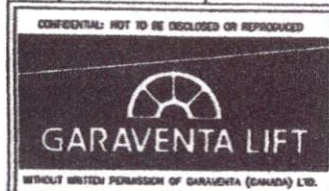
GENERAL:

1. RUNWAY, PIT, AND MACHINE AREA TO BE IN ACCORDANCE WITH ASME A17.1- SEC. 5.3 , AND TO EXISTING LOCAL CODES AND REGULATIONS.
2. RUNWAY TO BE PLUMB, LEVEL, AND SQUARE ...+ 1/4".
3. CONTRACTOR TO PROVIDE DRYWALL, CARPENTRY, AND MASONRY WORK AS REQUIRED AS WELL AS PATCHING AND MAKING GOOD (INCLUDING FINISH PAINTING) ANY CUTTING, DRILLING, AND MODIFICATION TO THE BUILDING NECESSARY TO PERMIT PROPER INSTALLATION OF THE ELEVATOR EQUIPMENT.
4. WHERE CAR GATE IS PROVIDED, LANDING SILL TO CAR GATE CLEARANCES MUST CONFORM TO 3/4" & 4" RULE.

STRUCTURAL:

1. STRUCTURAL ENGINEER TO ASSURE THAT BUILDING AND RUNWAY STRUCTURES ARE CAPABLE OF SUPPORTING LOADS IMPOSED BY THE LIFT EQUIPMENT. (REFER TO THESE LAYOUT DRAWINGS FOR LOADS IMPOSED)

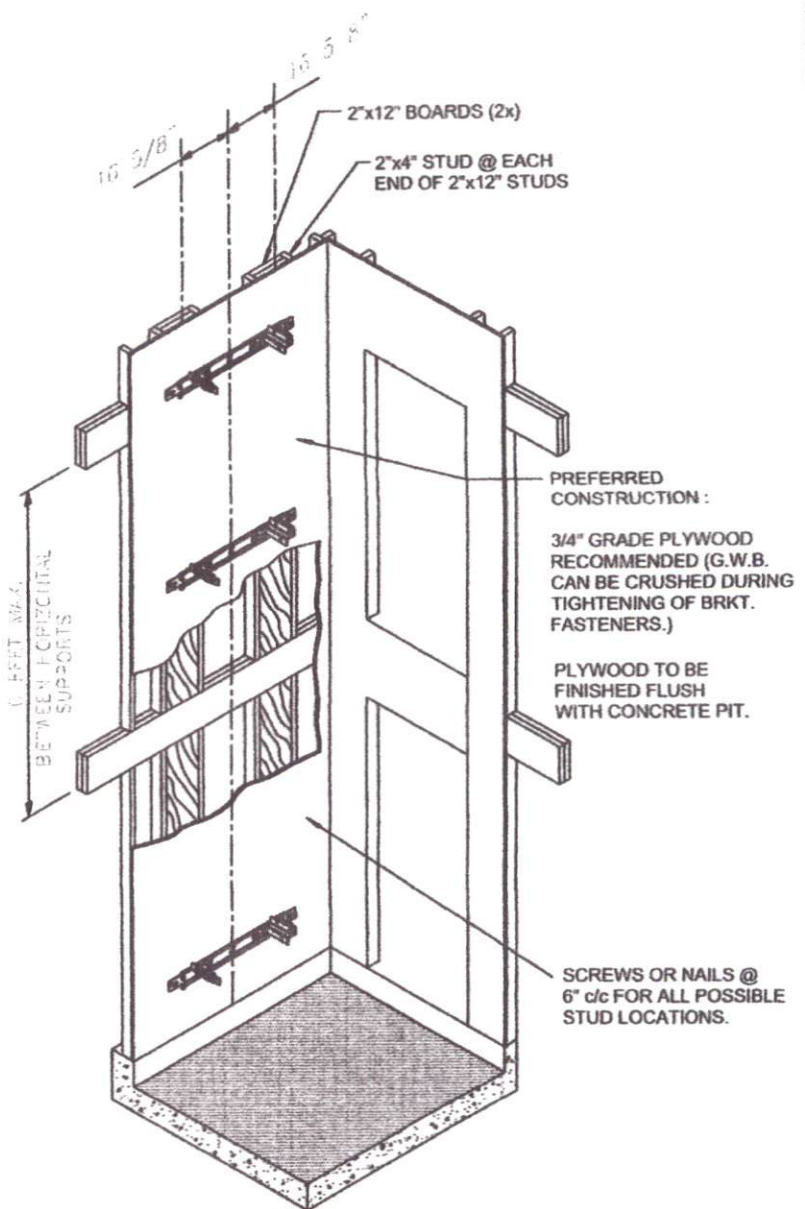
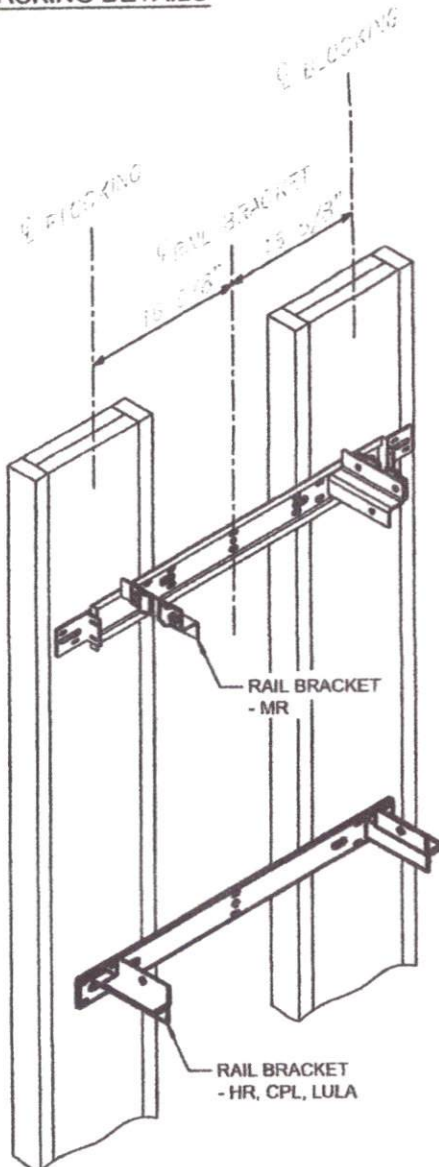
A	REV A=INITIAL RELEASE. FOR ALL OTHERS SEE REVISION HISTORY (SHEET 6)	UNITS: MM [INCHES]	JAN/23/18	putogoldd		
REV.	SCALE: N.T.S.	TOLERANCES: DIMENSIONAL ±3 [±1/8] ANGULAR ±1°	PROJECTION:	DATE	DRN.BY	CHK.BY



ELVORON MR iGOLDD-DRAWING
 40X54 CAB – LEFT HAND DOORS
 5704 NIXON LANE
 CASTLE HAYNE NC 28409 PAGE 5 OF 7
 PORT CITY ELEVATOR – (910)-790-9300

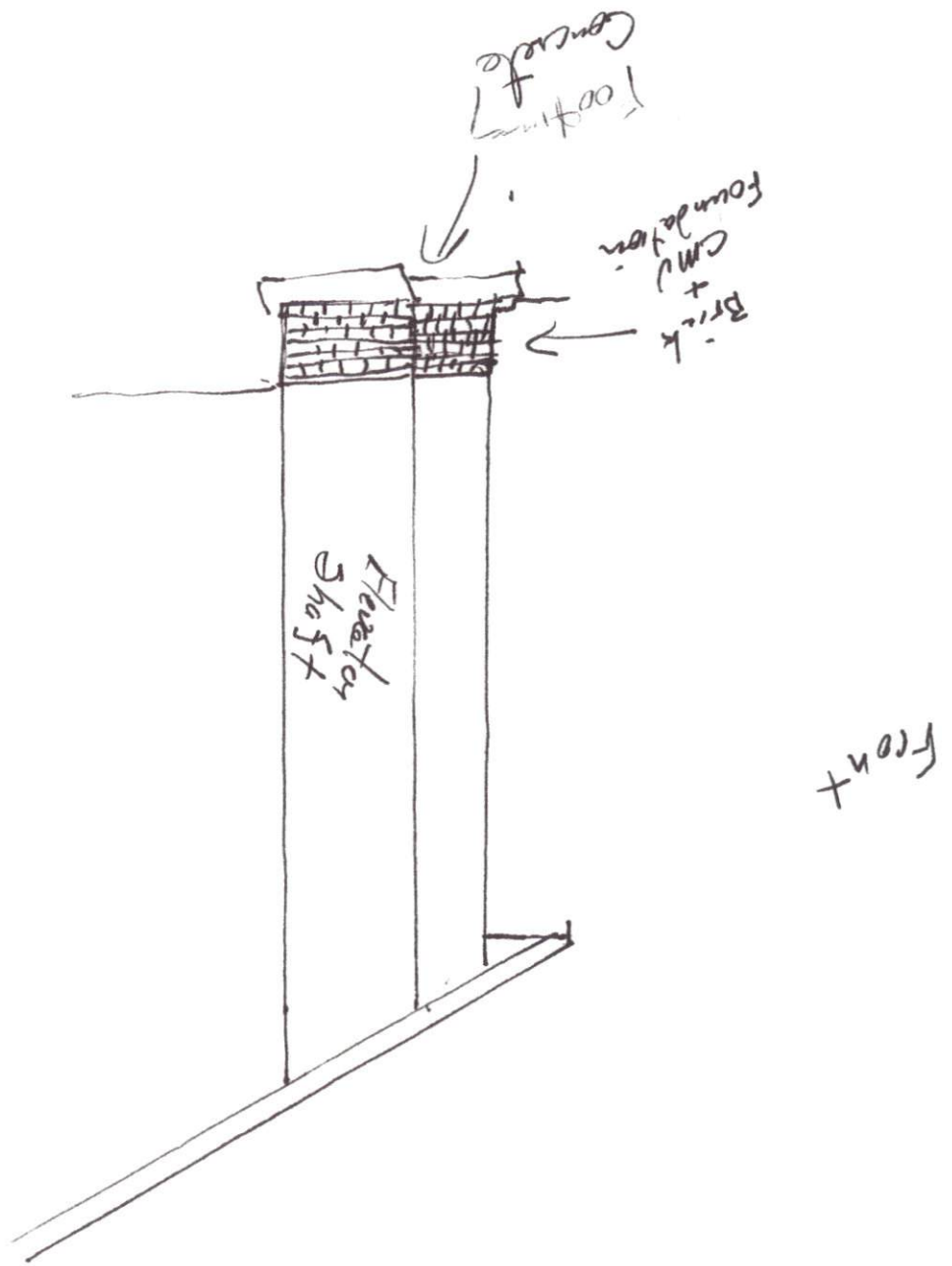
38008-IG-A

BACKING DETAILS



STRUCTURAL ENGINEER TO ASSURE THAT BUILDING AND HOISTWAY STRUCTURES ARE CAPABLE OF SUPPORTING LOADS IMPOSED BY THE ELEVATOR EQUIPMENT. (REFER TO THESE LAYOUT DRAWINGS FOR LOADS IMPOSED)

A	REV A=INITIAL RELEASE. FOR ALL OTHERS SEE REVISION HISTORY (SHEET 6)	UNITS: MM [INCHES]	JAN/23/18	butogold		
REV.	SCALE: N.T.S.	TOLERANCES: DIMENSIONAL ± 3 [$\pm 1/8$] ANGULAR $\pm 1^\circ$	PROJECTION:	DATE	DRN.BY	CHK.BY
<p>CONFIDENTIAL: NOT TO BE DISCLOSED OR REPRODUCED</p> <p>GARAVENTA LIFT</p> <p>WITHOUT WRITTEN PERMISSION OF GARAVENTA (CANADA) LTD.</p>		<p>ELVORON MR iGOLDD-DRAWING</p> <p>40X54 CAB - LEFT HAND DOORS</p> <p>5704 NIXON LANE</p> <p>CASTLE HAYNE NC 28409</p> <p>PORT CITY ELEVATOR - (910)-790-9300</p>			<p>PAGE 7 OF 7</p> <p>38008-IG-A</p>	



Raul Lopez Martinez
 279 Kenoir Dr.
 Spring Lake NC 28390
 Elevator Shaft - Front right side

14 April 2023