

OPTION 1: HELICAL SOIL ANCHORS
SCALE: NTS

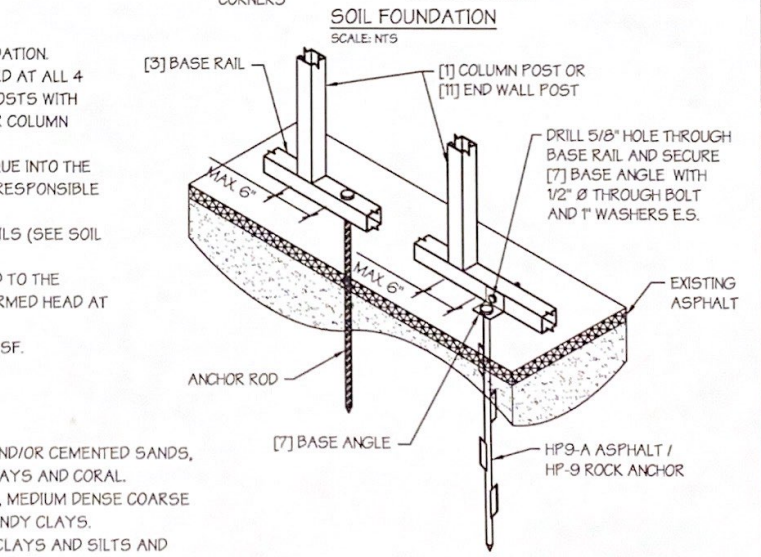
SOIL FOUNDATION NOTES:

- DESIGNS SHOWN ON THIS SHEET ARE FOR SOIL ANCHOR FOUNDATION.
- SOIL ANCHORS (HELICAL OR ROCK/ASPHALT) SHALL BE LOCATED AT ALL 4 CORNERS, ON EACH SIDE OF OVERHEAD DOOR OPENINGS, ON POSTS WITH DIAGONAL BRACING IF REQUIRED, AND ON ALTERNATE INTERIOR COLUMN POSTS AND END WALLS POSTS.
- HELICAL ANCHORS ARE TO BE USED ONLY IF THE DRIVING TORQUE INTO THE GROUND IS 150 FT-LBS OR GREATER. MANUFACTURER IS NOT RESPONSIBLE FOR SOIL QUALITY AT SITE.
- HELICAL ANCHORS CAN ONLY BE USED FOR CLASS 2, 3 & 4 SOILS (SEE SOIL CLASSIFICATIONS THIS PAGE).
- ALL POSTS WITH NO ANCHORS ADJACENT SHALL BE ANCHORED TO THE GROUND WITH A 1/2" X 30" LG. ROD. RODS WILL HAVE A PRE-FORMED HEAD AT THE TOP AND ONE COAT OF RUST PROOF MATERIAL.
- ASSUMED SOIL BEARING CAPACITY IS TO BE A MIN. OF 1500 PSF.

SOIL CLASSIFICATIONS:

| SOIL CLASS | DESCRIPTION |
|------------|--|
| 2 | SANDY GRAVEL AND GRAVEL, VERY THIN DENSE AND/OR CEMENTED SANDS, COARSE GRAVEL/COBBLES, PRELOADED SILTS, CLAYS AND CORAL. |
| 3 | SAND, SILTY SAND, CLAYEY SAND, SILTY GRAVEL, MEDIUM DENSE COARSE SANDS, SANDY GRAVEL, VERY STIFF SILT AND SANDY CLAYS. |
| 4 | LOOSE TO MEDIUM DENSE SANDS, FIRM TO STIFF CLAYS AND SILTS AND ALLUVIAL FILLS. |

"FROM HUD "MODEL MANUFACTURED HOME INSTALLATION STANDARDS"



OPTION 2: ROCK / ASPHALT ANCHORS
SCALE: NTS

MANUFACTURED BY:



3870 Statesville Blvd
Salisbury, NC 28147
Office: (704) 431-4097
Cell: (704) 223-2117

DRAWING INFORMATION

PROJECT: 20'-0" WIDE BUILDINGS
LOCATION: STATE OF NORTH CAROLINA
PROJECT NO.: 325-22-2224
SHEET TITLE:

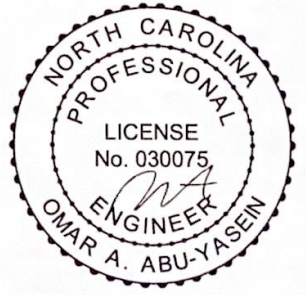
**FOUNDATION OPTION 4:
SOIL ANCHORS**

SHEET NO.: 11-D / 11
DRAWN BY: AW DATE: 7/18/22
CHECKED BY: OAA DATE: 7/18/22

LEGAL INFORMATION

- ANY DUPLICATION OF THIS DRAWING IN WHOLE OR PART IS STRICTLY FORBIDDEN. ANYONE DOING SO WILL BE PROSECUTED UNDER THE FULL EXTENT OF THE LAW.
- DRAWINGS VALID UP TO 1 YEAR FROM DATE OF ISSUE.

SEAL:



DATE EXPIRES: 12-31-2022
DATE SIGNED: 07-20-2022