



**STRUCTURAL DESIGN**

**ENCLOSED BUILDING**

**MAXIMUM 30'-0" WIDE X 16'- 0" EAVE HEIGHT-  
BOX EAVE FRAME AND BOW FRAME**

**2 October 2020  
Revision 0  
M&A Project No. 20198S**

**Prepared for:**

**Custom Built Structures, Inc.  
1124 N. South Street  
Mt. Airy, NC 27030**

**Prepared by:**

**Moore and Associates Engineering and Consulting, Inc.  
1009 East Avenue  
North Augusta, SC 29841**

**401 S. Main Street, Suite 200  
Mt. Airy, NC 27030**




**MOORE AND ASSOCIATES  
ENGINEERING AND CONSULTING, INC.**

DRAWN BY: JG

CHECKED BY: PDH

PROJECT MGR: WSM

CLIENT: CBS

CUSTOM BUILT STRUCTURES, INC.  
1124 N. SOUTH STREET  
MOUNT AIRY, NC 27030  
30'-0"x16'-0" ENCLOSED STRUCTURE

DATE: 10-2-20

SCALE: NTS

JOB NO: 20198S

SHT. 1

DWG. NO: SK-3

REV: 0

THIS DOCUMENT IS THE PROPERTY OF MOORE AND ASSOCIATES ENGINEERING AND CONSULTING. THE UNAUTHORIZED REPRODUCTION, COPYING, OR OTHERWISE USE OF THIS DOCUMENT IS STRICTLY PROHIBITED AND ANY INFRINGEMENT THEREUPON MAY BE SUBJECT TO LEGAL ACTION.

# DRAWING INDEX

SHEET 1	PE SEAL COVER SHEET
SHEET 2	DRAWING INDEX
SHEET 3	INSTALLATION NOTES AND SPECIFICATIONS
SHEET 4	TYPICAL SIDE AND END ELEVATIONS
SHEET 5	TYPICAL RAFTER/COLUMN FRAME AND SIDE FRAMING SECTION (BOX EAVE RAFTER)
SHEET 5A	TYPICAL RAFTER/COLUMN FRAME AND SIDE FRAMING SECTION (BOX EAVE RAFTER)
SHEET 6	COLUMN CONNECTION DETAILS (BOX EAVE RAFTER)
SHEET 6A	COLUMN CONNECTION DETAILS (BOX EAVE RAFTER)
SHEET 6B	COLUMN CONNECTION DETAILS (BOX EAVE RAFTER) (FOR WIND SPEEDS $\leq$ 130 MPH)
SHEET 6C	COLUMN CONNECTION DETAILS (BOX EAVE RAFTER) (FOR WIND SPEEDS $\leq$ 130 MPH)
SHEET 7	TYPICAL RAFTER/COLUMN FRAME AND SIDE FRAMING SECTION (BOW EAVE RAFTER)
SHEET 7A	TYPICAL RAFTER/COLUMN FRAME AND SIDE FRAMING SECTION (BOW EAVE RAFTER)
SHEET 8	COLUMN CONNECTION DETAILS (BOW EAVE RAFTER)
SHEET 8A	COLUMN CONNECTION DETAILS (BOW EAVE RAFTER)
SHEET 8B	COLUMN CONNECTION DETAILS (BOW EAVE RAFTER) (FOR WIND SPEEDS $\leq$ 130 MPH)
SHEET 8C	COLUMN CONNECTION DETAILS (BOW EAVE RAFTER) (FOR WIND SPEEDS $\leq$ 130 MPH)
SHEET 9	BASE RAIL ANCHORAGE OPTIONS
SHEET 9A	BASE RAIL ANCHORAGE OPTIONS
SHEET 10	TYPICAL END WALL AND SIDE WALL FRAMING SECTIONS (BOX EAVE RAFTER)
SHEET 11	TYPICAL END WALL AND SIDE WALL FRAMING SECTIONS (BOW EAVE RAFTER)
SHEET 12	CONNECTION DETAILS
SHEET 13	CONNECTION DETAILS
SHEET 14	LEAN-TO OPTIONS (BOX EAVE RAFTER)
SHEET 14A	LEAN-TO OPTIONS (BOX EAVE RAFTER)
SHEET 15	LEAN-TO OPTIONS (BOW EAVE RAFTER)
SHEET 16	VERTICAL ROOF/SIDING OPTION END AND SIDE ELEVATION AND SECTION (BOX EAVE RAFTER)
SHEET 17	SIDE WALL AND END WALL HEADER OPTIONS

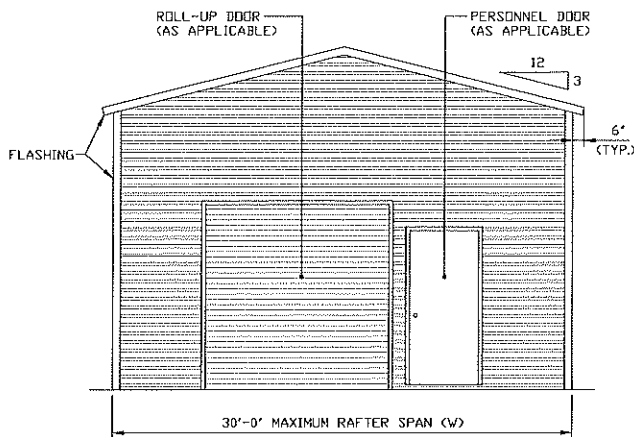
<b>MOORE AND ASSOCIATES ENGINEERING AND CONSULTING, INC.</b>	DRAWN BY: JG	CUSTOM BUILT STRUCTURES, INC. 1124 N. SOUTH STREET MOUNT AIRY, NC 27030 30'-0"x16'-0" ENCLOSED STRUCTURE		
	CHECKED BY: PDH			
THIS DOCUMENT IS THE PROPERTY OF MOORE AND ASSOCIATES ENGINEERING AND CONSULTING. THE UNAUTHORIZED REPRODUCTION, COPYING, OR OTHERWISE USE OF THIS DOCUMENT IS STRICTLY PROHIBITED AND ANY INFRINGEMENT THEREUPON MAY BE SUBJECT TO LEGAL ACTION.	PROJECT MGR: WSM	DATE: 10-2-20	SCALE: NTS	JOB NO: 2019BS
	CLIENT: CBS	SHT. 2	DWG. NO: SK-3	REV: 0

## INSTALLATION NOTES AND SPECIFICATIONS

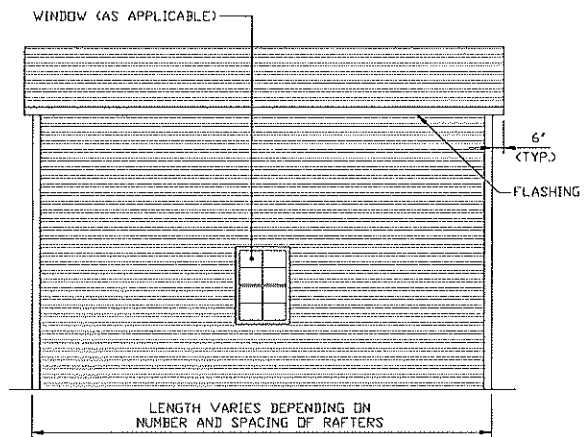
1. DESIGN IS FOR MAXIMUM 30'-0" WIDE x 16'-0" EAVE HEIGHT ENCLOSED STRUCTURES.
2. DESIGN WAS DONE IN ACCORDANCE WITH THE 2018 NORTH CAROLINA BUILDING CODE (NCBC), 2018 INTERNATIONAL BUILDING CODE (IBC), 2015 IBC AND 2012 IBC.
3. DESIGN LOADS ARE AS FOLLOWS:
  - A) DEAD LOAD = 1.5 PSF
  - B) LIVE LOAD = 12 PSF
  - C) GROUND SNOW LOAD = 45 PSF
  - = 30 PSF WITH U-CHANNEL PEAK BRACE (W ≤ 24'-0")
  - NOTE: UNBALANCED SNOW LOAD DUE TO DRIFTING HAS NOT BEEN EVALUATED.
4. 3-SECOND GUST ULTIMATE WIND SPEED ( $V_{ULT}$ ) ≤ 145 MPH (NOMINAL WIND SPEED ≤ 112 MPH).
5. MAXIMUM RAFTER/COLUMN AND END COLUMN SPACING = 5.0 FEET (UNLESS NOTED OTHERWISE).
6. ENDWALL COLUMNS (POSTS) AND SIDE WALL COLUMNS ARE EQUIVALENT IN SIZE AND SPACING (UNLESS NOTED OTHERWISE).
7. RISK CATEGORY I.
8. WIND EXPOSURE CATEGORY B.
9. SPECIFICATIONS APPLICABLE TO 29 GAUGE METAL PANELS FASTENED DIRECTLY TO 2 1/2" x 2 1/2" - 14 GAUGE TUBE STEEL (TS) FRAMING MEMBERS (UNLESS NOTED OTHERWISE). 2 1/4" x 2 1/4" - 12 GAUGE TS MAY BE USED AS OPTIONAL FRAMING MEMBERS.
10. AVERAGE FASTENER SPACING ON-CENTERS ALONG RAFTERS OR HAT CHANNELS, AND COLUMNS (INTERIOR OR END) = 10 INCHES.
11. FASTENERS CONSIST OF #12-14x3/4" SELF-DRILLING FASTENER (SDF), USE CONTROL SEAL WASHER WITH EXTERIOR FASTENERS. SPECIFICATIONS APPLICABLE ONLY FOR MEAN ROOF HEIGHT OF 16 FEET OR LESS, AND ROOF SLOPES OF 14° (3:12 PITCH) OR LESS SPACING REQUIREMENTS FOR OTHER ROOF HEIGHTS AND/OR SLOPES MAY VARY, ROOF SLOPES LESS THAN 3:12 REQUIRE USE OF JOINT SEALANT.
12. GROUND ANCHORS SHALL BE INSTALLED THROUGH BASE RAIL WITHIN 6" OF EACH COLUMN.
13. STANDARD GROUND ANCHORS (SOIL NAILS) CONSIST OF #4 REBAR W/ WELDED NUT x 36" LONG AND MAY BE USED IN SUITABLE SOILS. OPTIONAL ANCHORAGE MAY BE USED IN SUITABLE SOILS AND MUST BE USED IN UNSUITABLE SOILS AS NOTED.
14. WIND FORCES GOVERN OVER SEISMIC FORCES. SEISMIC PARAMETERS ANALYZED ARE:
  - SOIL SITE CLASS = D
  - RISK CATEGORY I
  - R = 3.25                       $I_e = 1.0$
  - $S_{DS} = 2.039 g$                $V = C_S W$
  - $S_{D1} = 1.258 g$

<b>MOORE AND ASSOCIATES ENGINEERING AND CONSULTING, INC.</b>	DRAWN BY: JG	CUSTOM BUILT STRUCTURES, INC. 1124 N. SOUTH STREET MOUNT AIRY, NC 27030 30'-0"x16'-0" ENCLOSED STRUCTURE		
	CHECKED BY: PDH			
THIS DOCUMENT IS THE PROPERTY OF MOORE AND ASSOCIATES ENGINEERING AND CONSULTING. THE UNAUTHORIZED REPRODUCTION, COPYING, OR OTHERWISE USE OF THIS DOCUMENT IS STRICTLY PROHIBITED AND ANY INFRINGEMENT THEREUPON MAY BE SUBJECT TO LEGAL ACTION.	PROJECT MGR: WSM	DATE: 10-2-20	SCALE: NTS	JOB NO: 20198S
	CLIENT: CBS	SHT. 3	DWG. NO: SK-3	REV: 0

### BOX EAVE FRAME RAFTER STRUCTURE

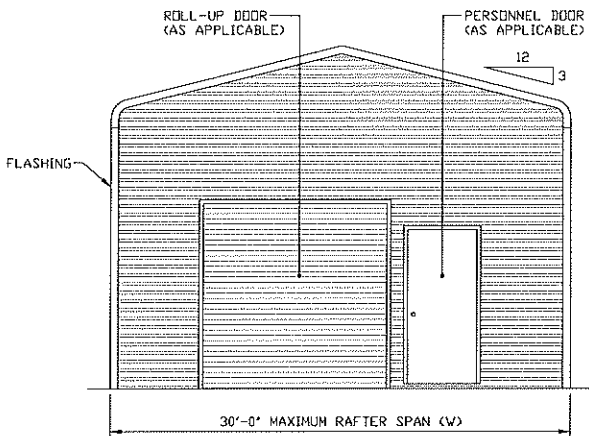


**TYPICAL END ELEVATION**  
SCALE: NTS

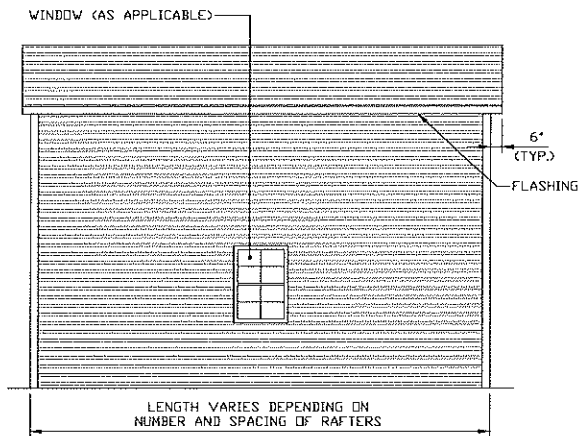


**TYPICAL SIDE ELEVATION**  
SCALE: NTS

### BOX EAVE FRAME RAFTER STRUCTURE



**TYPICAL END ELEVATION**  
SCALE: NTS



**TYPICAL SIDE ELEVATION**  
SCALE: NTS

**MOORE AND ASSOCIATES  
ENGINEERING AND CONSULTING, INC.**

DRAWN BY: JG

CHECKED BY: PDH

PROJECT MGR: WSM

CLIENT: CBS

CUSTOM BUILT STRUCTURES, INC.  
1124 N. SOUTH STREET  
MOUNT AIRY, NC 27030  
30'-0" x 16'-0" ENCLOSED STRUCTURE

DATE: 10-2-20

SCALE: NTS

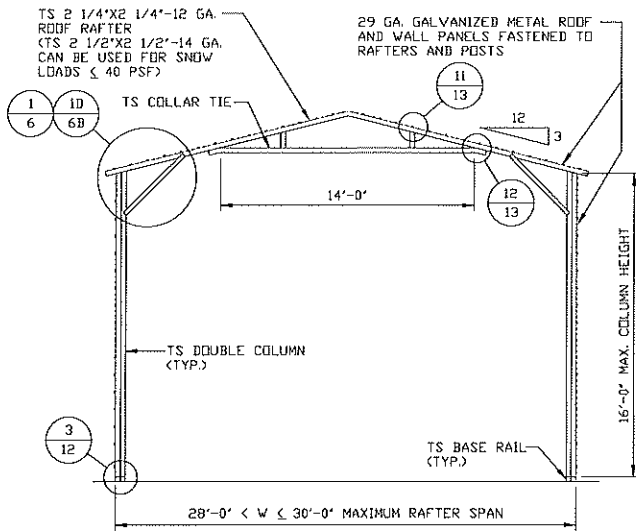
JOB NO: 2019BS

SHT. 4

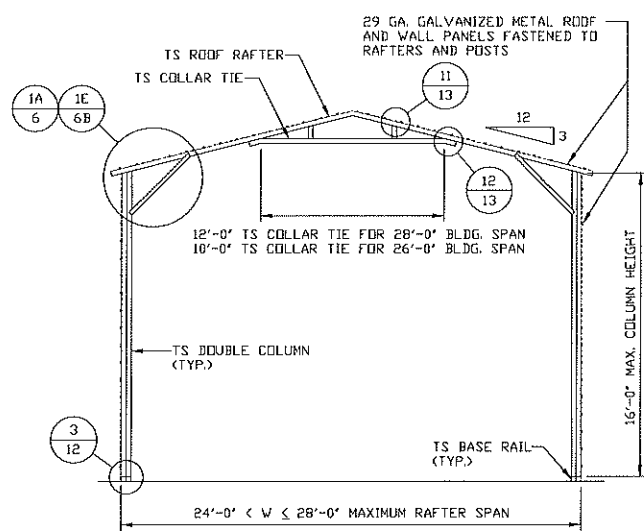
DWG. NO: SK-3

REV: 0

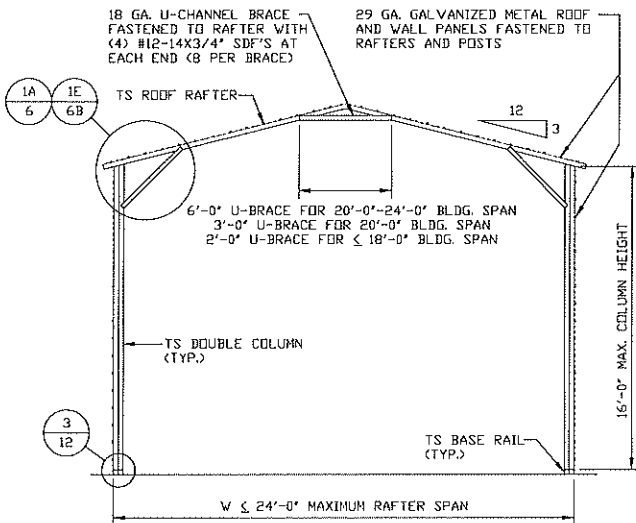
THIS DOCUMENT IS THE PROPERTY OF MOORE AND ASSOCIATES ENGINEERING AND CONSULTING. THE UNAUTHORIZED REPRODUCTION, COPYING, OR OTHERWISE USE OF THIS DOCUMENT IS STRICTLY PROHIBITED AND ANY INFRINGEMENT THEREUPON MAY BE SUBJECT TO LEGAL ACTION.



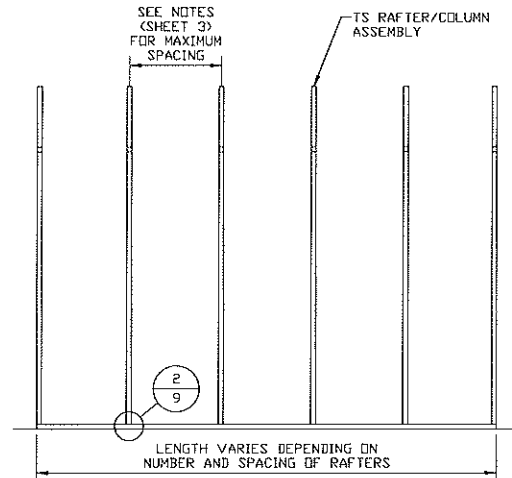
**TYPICAL RAFTER/COLUMN FRAME SECTION**  
SCALE: NTS



**TYPICAL RAFTER/COLUMN FRAME SECTION**  
SCALE: NTS



**TYPICAL RAFTER/COLUMN FRAME SECTION**  
SCALE: NTS



**TYPICAL RAFTER/COLUMN SIDE FRAMING SECTION**  
SCALE: NTS

**MOORE AND ASSOCIATES  
ENGINEERING AND CONSULTING, INC.**

DRAWN BY: JG

CHECKED BY: PDH

PROJECT MGR: WSM

CLIENT: CBS

CUSTOM BUILT STRUCTURES, INC.  
1124 N. SOUTH STREET  
MOUNT AIRY, NC 27030  
30'-0" x 16'-0" ENCLOSED STRUCTURE

DATE: 10-2-20

SHT. 5

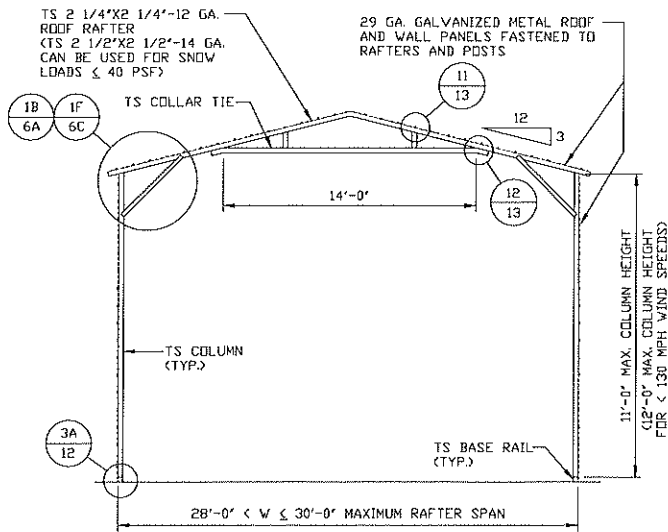
SCALE: NTS

DWG. NO: SK-3

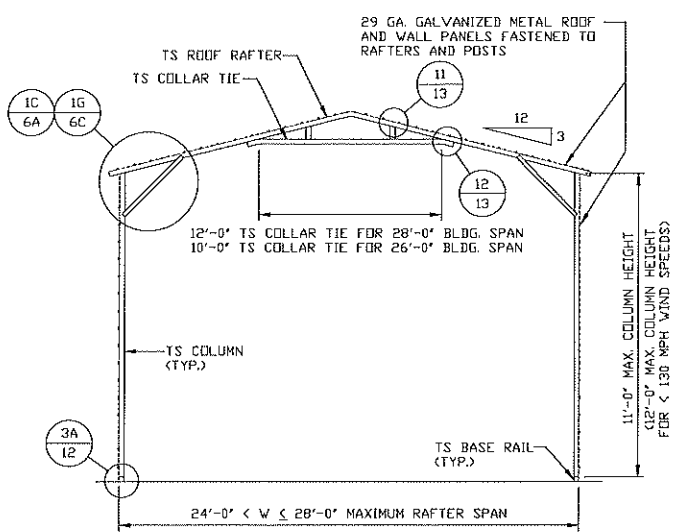
JOB NO: 20198S

REV: 0

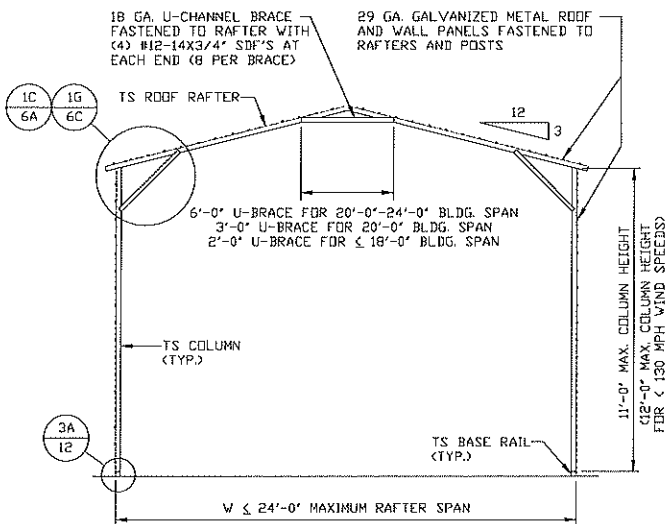
THIS DOCUMENT IS THE PROPERTY OF MOORE AND ASSOCIATES ENGINEERING AND CONSULTING. THE UNAUTHORIZED REPRODUCTION, COPYING, OR OTHERWISE USE OF THIS DOCUMENT IS STRICTLY PROHIBITED AND ANY INFRINGEMENT THEREUPON MAY BE SUBJECT TO LEGAL ACTION.



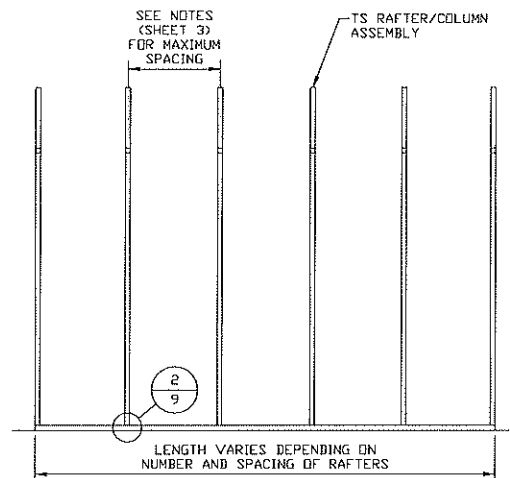
**TYPICAL RAFTER/COLUMN FRAME SECTION**  
SCALE: NTS



**TYPICAL RAFTER/COLUMN FRAME SECTION**  
SCALE: NTS



**TYPICAL RAFTER/COLUMN FRAME SECTION**  
SCALE: NTS



**TYPICAL RAFTER/COLUMN SIDE FRAMING SECTION**  
SCALE: NTS

**MOORE AND ASSOCIATES  
ENGINEERING AND CONSULTING, INC.**

**DRAWN BY: JG**

**CHECKED BY: PDH**

**PROJECT MGR: WSM**

**CLIENT: CBS**

**CUSTOM BUILT STRUCTURES, INC.**  
1124 N. SOUTH STREET  
MOUNT AIRY, NC 27030  
30'-0" x 16'-0" ENCLOSED STRUCTURE

**DATE: 10-2-20**

**SCALE: NTS**

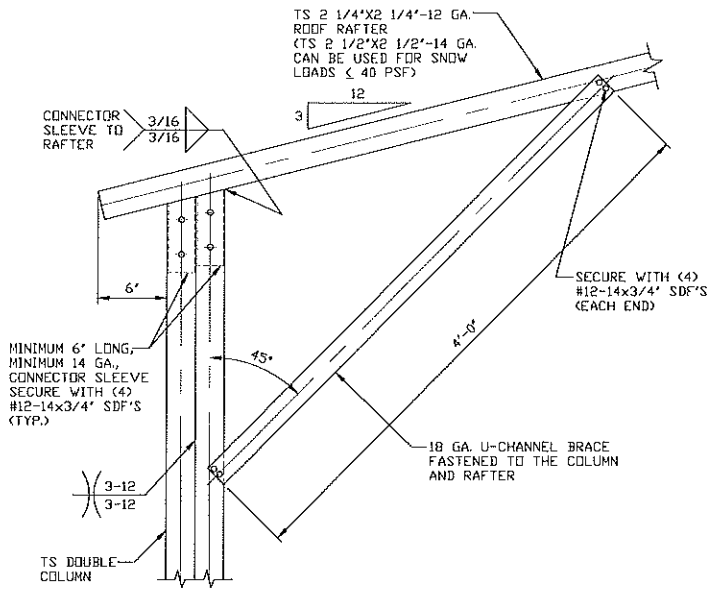
**JOB NO: 20198S**

**SHT. 5A**

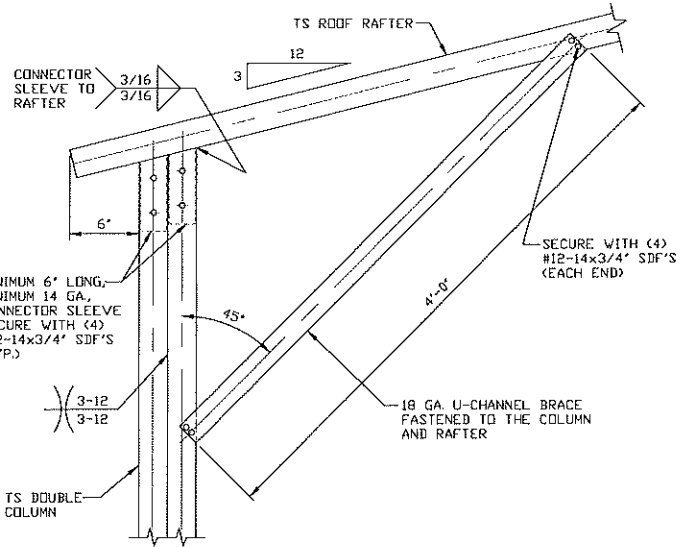
**DWG. NO: SK-3**

**REV: 0**

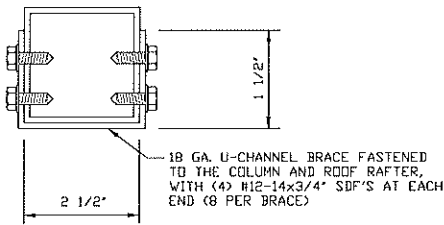
THIS DOCUMENT IS THE PROPERTY OF MOORE AND ASSOCIATES ENGINEERING AND CONSULTING. THE UNAUTHORIZED REPRODUCTION, COPYING, OR OTHERWISE USE OF THIS DOCUMENT IS STRICTLY PROHIBITED AND ANY INFRINGEMENT THEREUPON MAY BE SUBJECT TO LEGAL ACTION.



**1** BOX EAVE RAFTER/CORNER POST CONNECTION DETAIL FOR HEIGHTS 11'-0" < TO ≤ 16'-0" SCALE: NTS



**1A** BOX EAVE RAFTER/CORNER POST CONNECTION DETAIL FOR HEIGHTS 11'-0" < TO ≤ 16'-0" SCALE: NTS



**BRACE SECTION** SCALE: NTS

MOORE AND ASSOCIATES  
ENGINEERING AND CONSULTING, INC.

DRAWN BY: JG

CHECKED BY: PDH

PROJECT MGR: WSM

CLIENT: CBS

CUSTOM BUILT STRUCTURES, INC.  
1124 N. SOUTH STREET  
MOUNT AIRY, NC 27030  
30'-0" x 16'-0" ENCLOSED STRUCTURE

DATE: 10-2-20

SCALE: NTS

JOB NO: 20198S

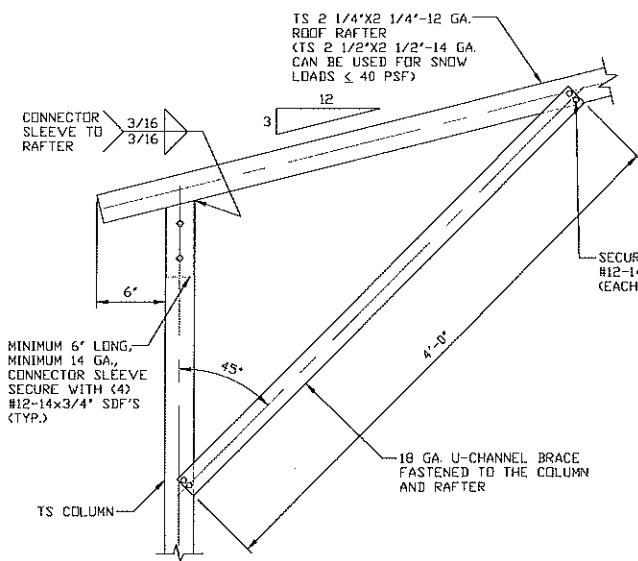
SHT. 6

DWG. NO: SK-3

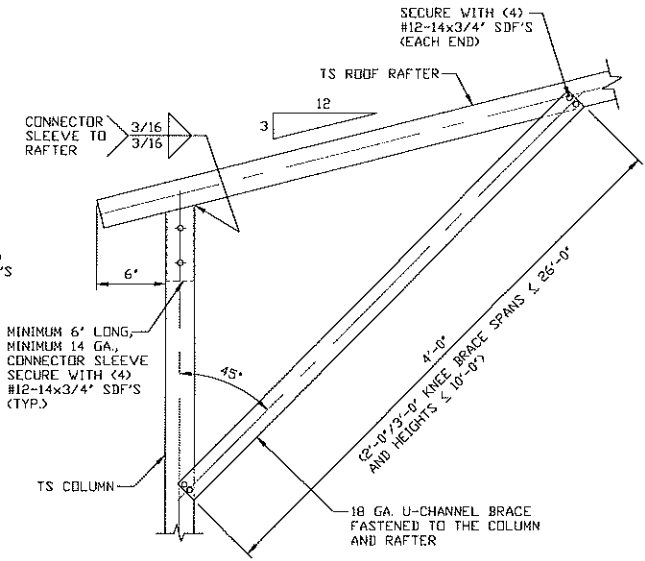
REV: 0

THIS DOCUMENT IS THE PROPERTY OF MOORE AND ASSOCIATES ENGINEERING AND CONSULTING. THE UNAUTHORIZED REPRODUCTION, COPYING, OR OTHERWISE USE OF THIS DOCUMENT IS STRICTLY PROHIBITED AND ANY INFRINGEMENT THEREUPON MAY BE SUBJECT TO LEGAL ACTION.

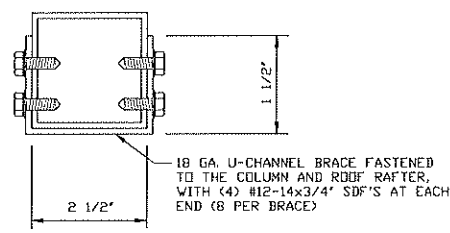




**1B** BOX EAVE RAFTER/CORNER POST CONNECTION DETAIL FOR HEIGHTS  $\leq 11'-0"$   
SCALE: NTS



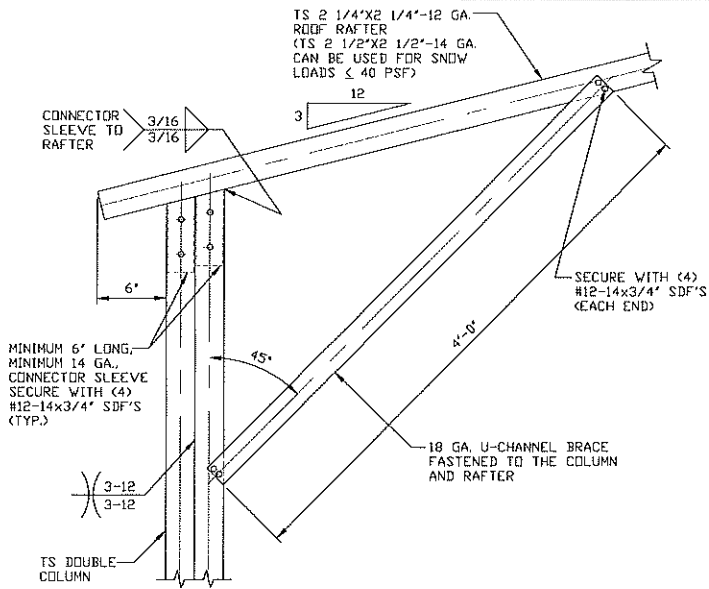
**1C** BOX EAVE RAFTER/CORNER POST CONNECTION DETAIL FOR HEIGHTS  $\leq 11'-0"$   
SCALE: NTS



**BRACE SECTION**  
SCALE: NTS

<b>MOORE AND ASSOCIATES ENGINEERING AND CONSULTING, INC.</b>	DRAWN BY: JG		CUSTOM BUILT STRUCTURES, INC. 1124 N. SOUTH STREET MOUNT AIRY, NC 27030 30'-0"x16'-0" ENCLOSED STRUCTURE	
	CHECKED BY: PDH			
THIS DOCUMENT IS THE PROPERTY OF MOORE AND ASSOCIATES ENGINEERING AND CONSULTING. THE UNAUTHORIZED REPRODUCTION, COPYING, OR OTHERWISE USE OF THIS DOCUMENT IS STRICTLY PROHIBITED AND ANY INFRINGEMENT THEREUPON MAY BE SUBJECT TO LEGAL ACTION.	PROJECT MGR: WSM	DATE: 10-2-20	SCALE: NTS	JOB NO: 2019BS
	CLIENT: CBS	SHT. 6A	DWG. NO: SK-3	REV: 0

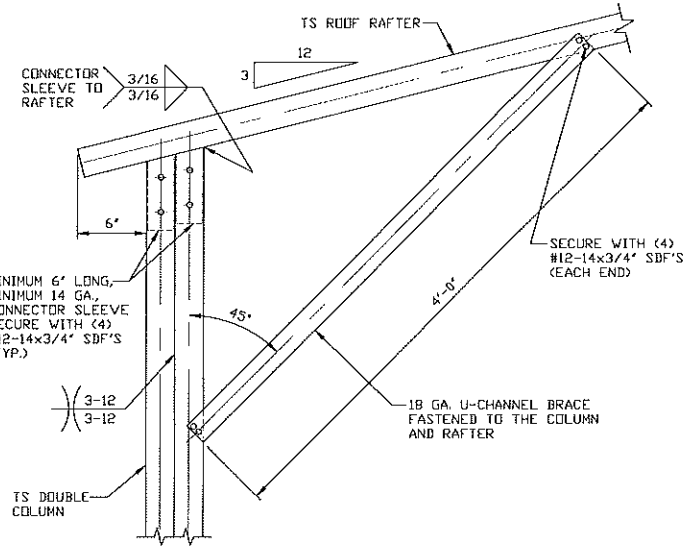
**FOR WIND SPEEDS ≤ 130 MPH**



**BOX EAVE RAFTER/CORNER POST CONNECTION DETAIL FOR HEIGHTS 12'-0" < TO ≤ 16'-0"**

1D

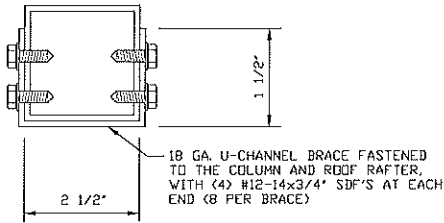
SCALE: NTS



**BOX EAVE RAFTER/CORNER POST CONNECTION DETAIL FOR HEIGHTS 12'-0" < TO ≤ 16'-0"**

1E

SCALE: NTS



**BRACE SECTION**

SCALE: NTS

**MOORE AND ASSOCIATES  
ENGINEERING AND CONSULTING, INC.**

DRAWN BY: JG

CHECKED BY: PDH

PROJECT MGR: WSM

CLIENT: CBS

CUSTOM BUILT STRUCTURES, INC.  
1124 N. SOUTH STREET  
MOUNT AIRY, NC 27030  
30'-0" x 16'-0" ENCLOSED STRUCTURE

DATE: 10-2-20

SCALE: NTS

JOB NO: 20198S

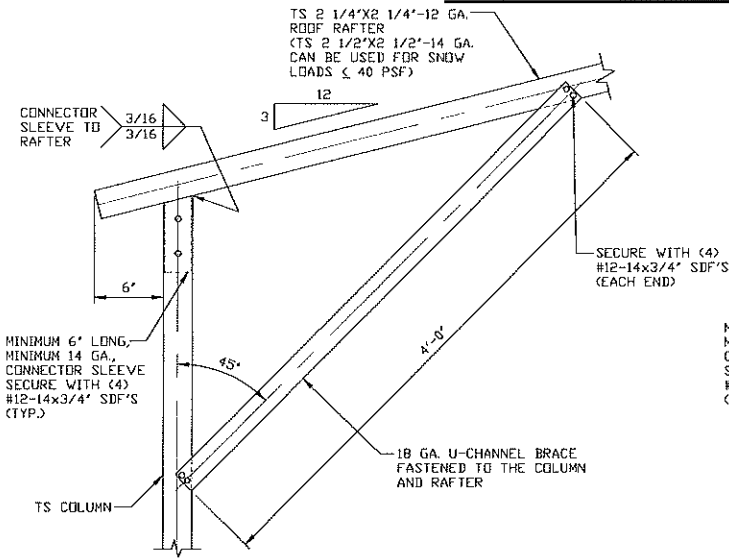
SHT. 6B

DWG. NO: SK-3

REV: 0

THIS DOCUMENT IS THE PROPERTY OF MOORE AND ASSOCIATES ENGINEERING AND CONSULTING. THE UNAUTHORIZED REPRODUCTION, COPYING, OR OTHERWISE USE OF THIS DOCUMENT IS STRICTLY PROHIBITED AND ANY INFRINGEMENT THEREUPON MAY BE SUBJECT TO LEGAL ACTION.

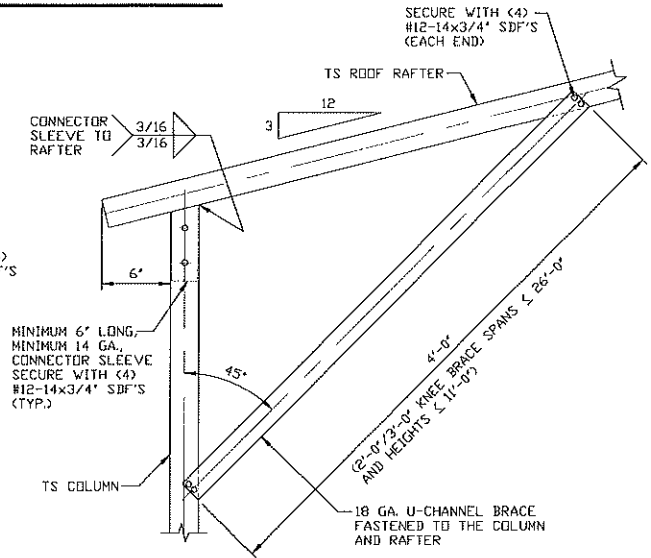
**FOR WIND SPEEDS ≤ 130 MPH**



**BOX EAVE RAFTER/CORNER POST CONNECTION DETAIL FOR HEIGHTS ≤ 12'-0"**

1F

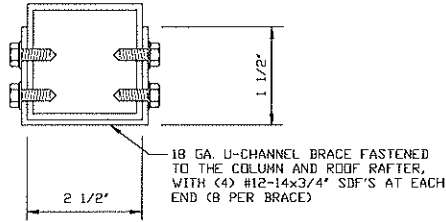
SCALE: NTS



**BOX EAVE RAFTER/CORNER POST CONNECTION DETAIL FOR HEIGHTS ≤ 12'-0"**

1G

SCALE: NTS



**BRACE SECTION**

SCALE: NTS

**MOORE AND ASSOCIATES ENGINEERING AND CONSULTING, INC.**

DRAWN BY: JG

CHECKED BY: PDH

PROJECT MGR: WSM

CLIENT: CBS

CUSTOM BUILT STRUCTURES, INC.  
1124 N. SOUTH STREET  
MOUNT AIRY, NC 27030  
30'-0"x16'-0" ENCLOSED STRUCTURE

DATE: 10-2-20

SHT. 6C

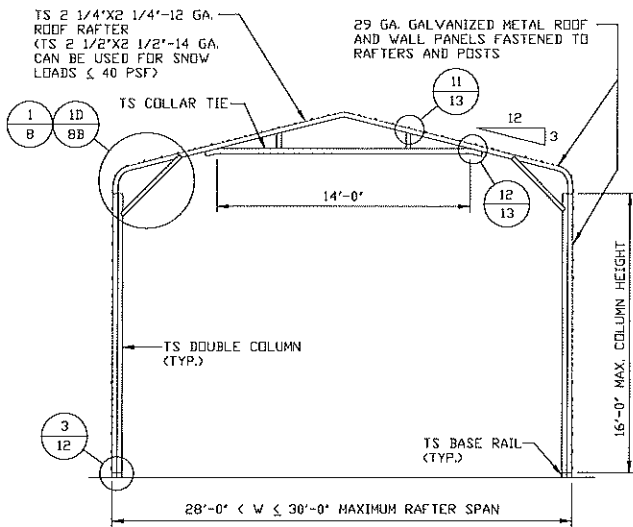
SCALE: NTS

DWG. NO: SK-3

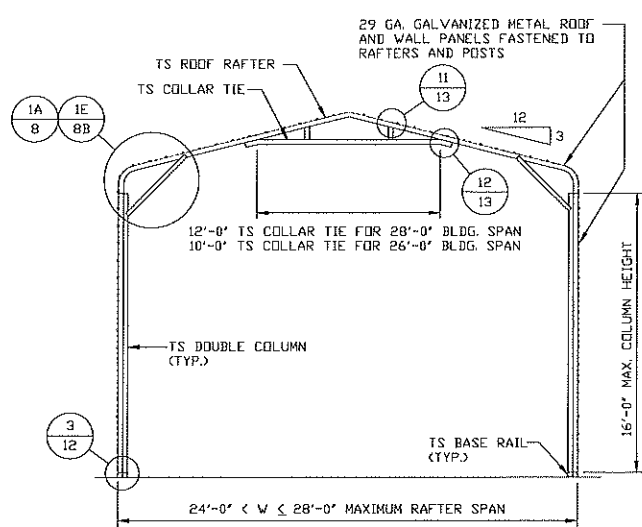
JOB NO: 2019BS

REV: 0

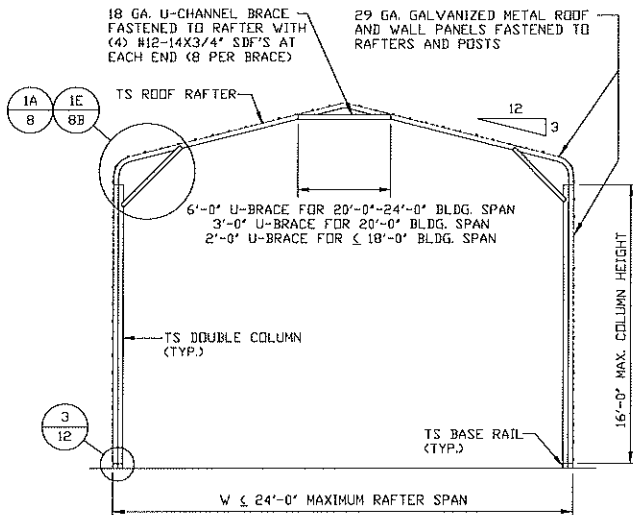
THIS DOCUMENT IS THE PROPERTY OF MOORE AND ASSOCIATES ENGINEERING AND CONSULTING. THE UNAUTHORIZED REPRODUCTION, COPYING, OR OTHERWISE USE OF THIS DOCUMENT IS STRICTLY PROHIBITED AND ANY INFRINGEMENT THEREUPON MAY BE SUBJECT TO LEGAL ACTION.



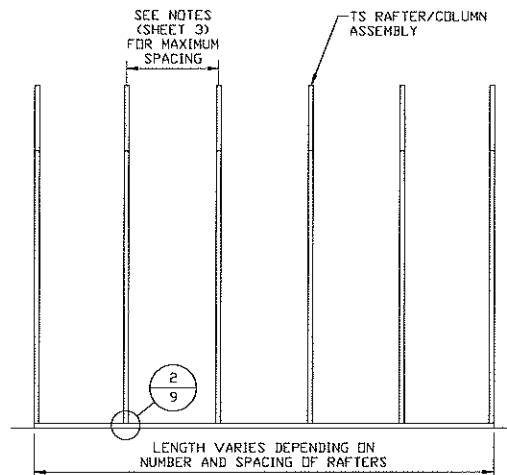
**TYPICAL RAFTER/COLUMN FRAME SECTION**  
SCALE: NTS



**TYPICAL RAFTER/COLUMN FRAME SECTION**  
SCALE: NTS



**TYPICAL RAFTER/COLUMN FRAME SECTION**  
SCALE: NTS



**TYPICAL RAFTER/COLUMN SIDE FRAMING SECTION**  
SCALE: NTS

**MOORE AND ASSOCIATES  
ENGINEERING AND CONSULTING, INC.**

**DRAWN BY: JG**

**CHECKED BY: PDH**

**PROJECT MGR: WSM**

**CLIENT: CBS**

**CUSTOM BUILT STRUCTURES, INC.**  
1124 N. SOUTH STREET  
MOUNT AIRY, NC 27030  
30'-0"x16'-0" ENCLOSED STRUCTURE

**DATE: 10-2-20**

**SHT. 7**

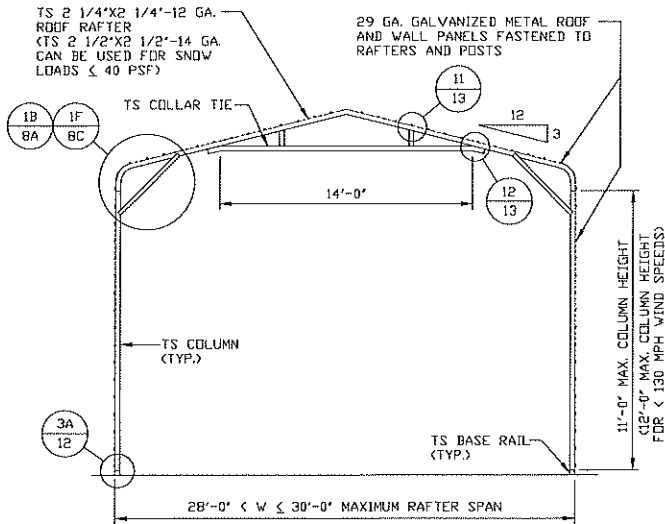
**SCALE: NTS**

**DWG. NO: SK-3**

**JOB NO: 20198S**

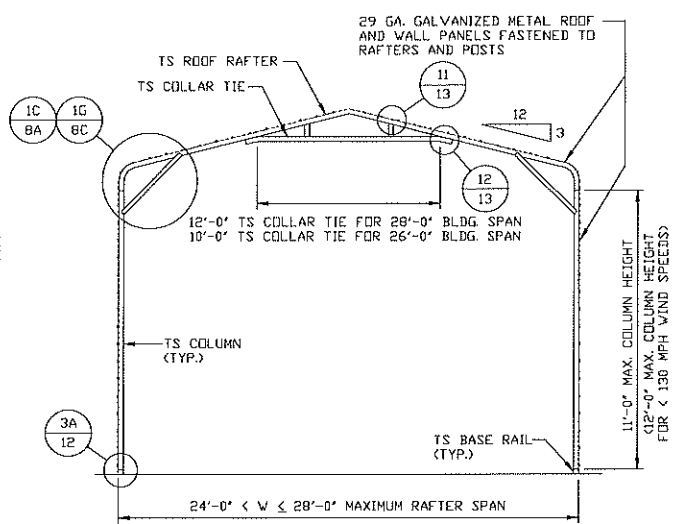
**REV: 0**

THIS DOCUMENT IS THE PROPERTY OF MOORE AND ASSOCIATES ENGINEERING AND CONSULTING. THE UNAUTHORIZED REPRODUCTION, COPYING, OR OTHERWISE USE OF THIS DOCUMENT IS STRICTLY PROHIBITED AND ANY INFRINGEMENT THEREUPON MAY BE SUBJECT TO LEGAL ACTION.



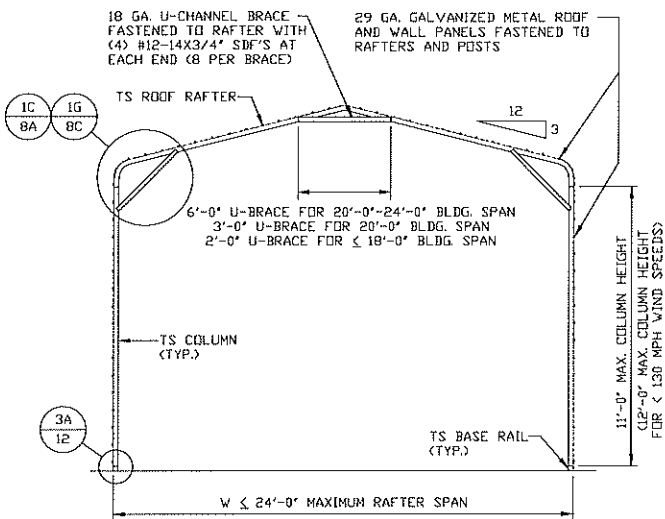
**TYPICAL RAFTER/COLUMN FRAME SECTION**

SCALE: NTS



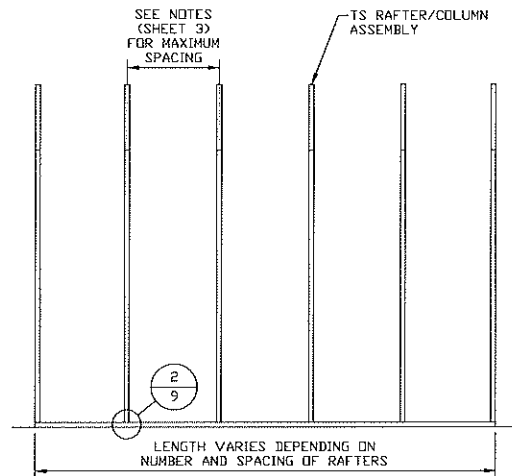
**TYPICAL RAFTER/COLUMN FRAME SECTION**

SCALE: NTS



**TYPICAL RAFTER/COLUMN FRAME SECTION**

SCALE: NTS



**TYPICAL RAFTER/COLUMN SIDE FRAMING SECTION**

SCALE: NTS

**MOORE AND ASSOCIATES  
ENGINEERING AND CONSULTING, INC.**

DRAWN BY: JG

CHECKED BY: PDH

PROJECT MGR: WSM

CLIENT: CBS

CUSTOM BUILT STRUCTURES, INC.  
1124 N. SOUTH STREET  
MOUNT AIRY, NC 27030  
30'-0" x 16'-0" ENCLOSED STRUCTURE

DATE: 10-2-20

SHT. 7A

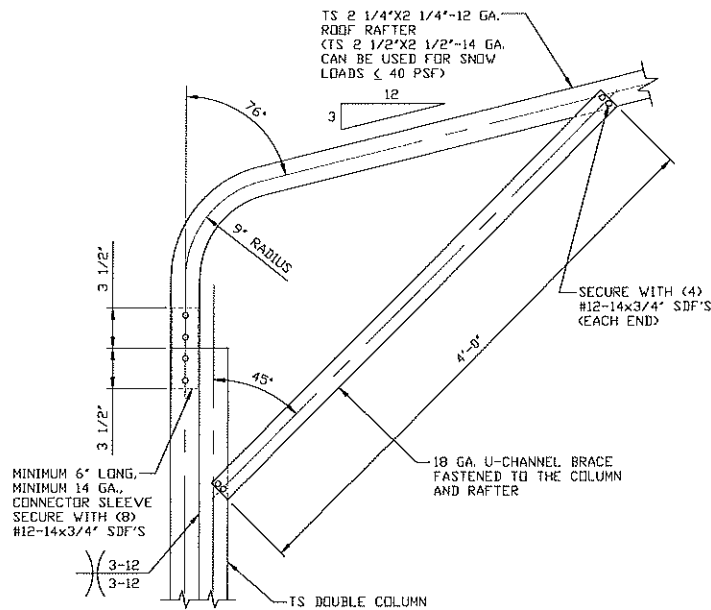
SCALE: NTS

DWG. NO: SK-3

JOB NO: 20190S

REV: 0

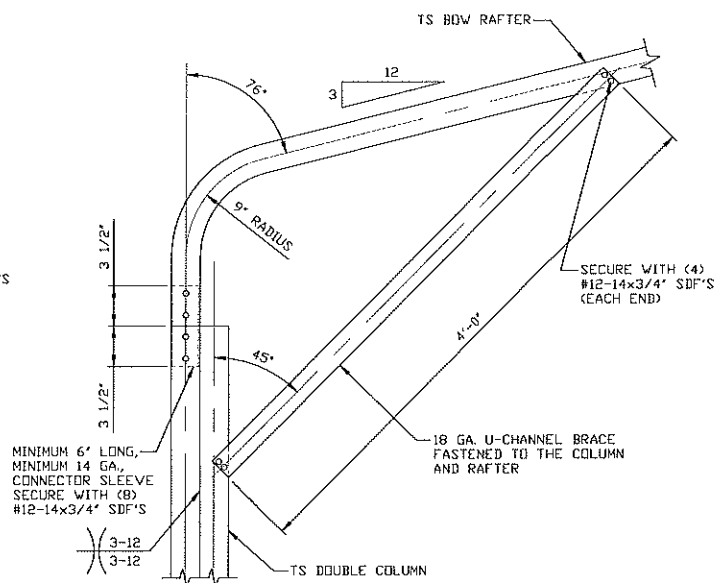
THIS DOCUMENT IS THE PROPERTY OF MOORE AND ASSOCIATES ENGINEERING AND CONSULTING. THE UNAUTHORIZED REPRODUCTION, COPYING, OR OTHERWISE USE OF THIS DOCUMENT IS STRICTLY PROHIBITED AND ANY INFRINGEMENT THEREUPON MAY BE SUBJECT TO LEGAL ACTION.



**BOW EAVE RAFTER/CORNER POST CONNECTION DETAIL FOR HEIGHTS 11'-0" < TO ≤ 16'-0"**

1

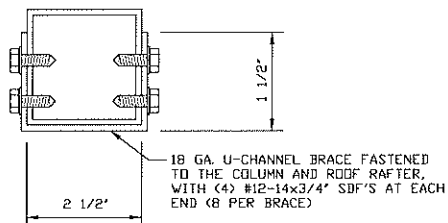
SCALE: NTS



**BOW EAVE RAFTER/CORNER POST CONNECTION DETAIL FOR HEIGHTS 11'-0" < TO ≤ 16'-0"**

1A

SCALE: NTS



**BRACE SECTION**

SCALE: NTS

MOORE AND ASSOCIATES  
ENGINEERING AND CONSULTING, INC.

DRAWN BY: JG

CHECKED BY: PDH

PROJECT MGR: WSM

CLIENT: CBS

CUSTOM BUILT STRUCTURES, INC.  
1124 N. SOUTH STREET  
MOUNT AIRY, NC 27030  
30'-0" X 16'-0" ENCLOSED STRUCTURE

DATE: 10-2-20

SCALE: NTS

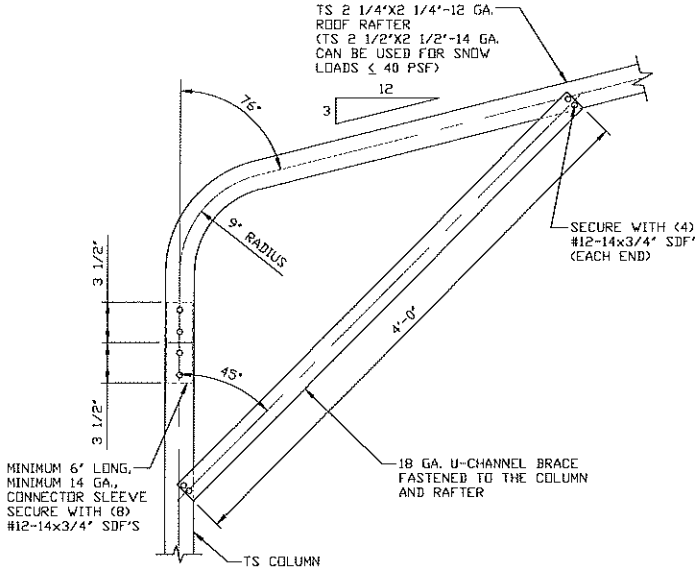
JOB NO: 20198S

SHT. 8

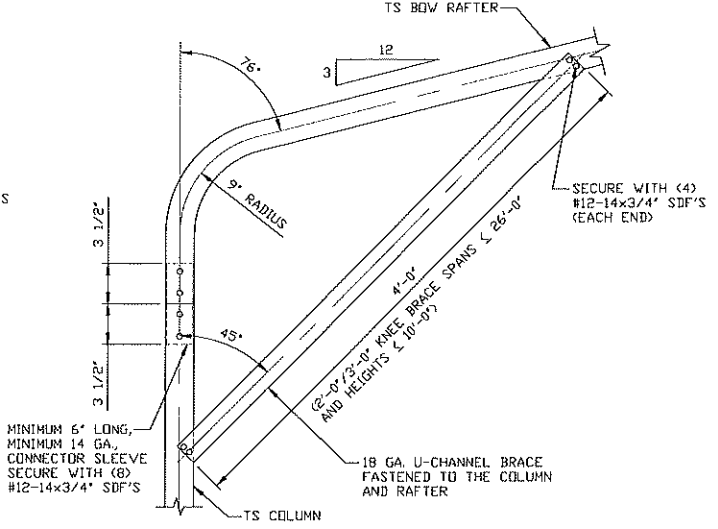
DWG. NO: SK-3

REV: 0

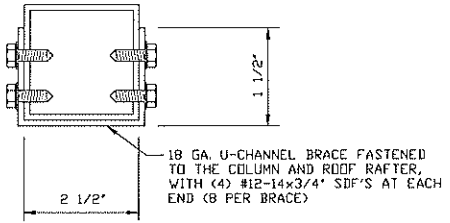
THIS DOCUMENT IS THE PROPERTY OF MOORE AND ASSOCIATES ENGINEERING AND CONSULTING. THE UNAUTHORIZED REPRODUCTION, COPYING, OR OTHERWISE USE OF THIS DOCUMENT IS STRICTLY PROHIBITED AND ANY INFRINGEMENT THEREUPON MAY BE SUBJECT TO LEGAL ACTION.



**1B** BOW EAVE RAFTER/CORNER POST CONNECTION DETAIL FOR HEIGHTS  $\leq 11'-0"$   
SCALE: NTS



**1C** BOW EAVE RAFTER/CORNER POST CONNECTION DETAIL FOR HEIGHTS  $\leq 11'-0"$   
SCALE: NTS



**BRACE SECTION**  
SCALE: NTS

**MOORE AND ASSOCIATES  
ENGINEERING AND CONSULTING, INC.**

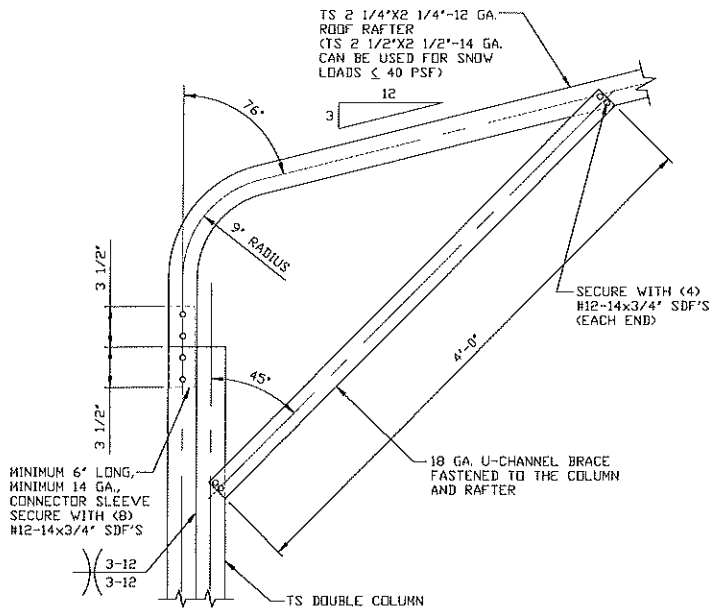
**DRAWN BY: JG**  
**CHECKED BY: PDH**

**CUSTOM BUILT STRUCTURES, INC.**  
1124 N. SOUTH STREET  
MOUNT AIRY, NC 27030  
30'-0"X16'-0" ENCLOSED STRUCTURE

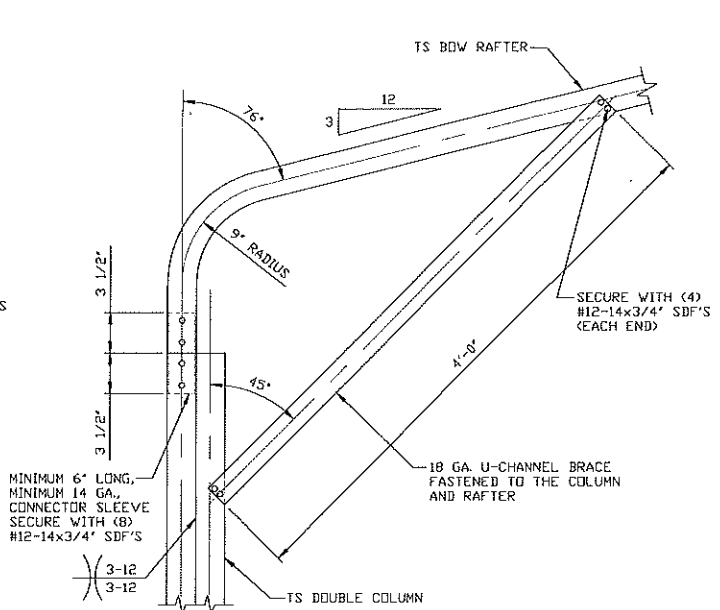
THIS DOCUMENT IS THE PROPERTY OF MOORE AND ASSOCIATES ENGINEERING AND CONSULTING. THE UNAUTHORIZED REPRODUCTION, COPYING, OR OTHERWISE USE OF THIS DOCUMENT IS STRICTLY PROHIBITED AND ANY INFRINGEMENT THEREUPON MAY BE SUBJECT TO LEGAL ACTION.

<b>PROJECT MGR: WSM</b>	<b>DATE: 10-2-20</b>	<b>SCALE: NTS</b>	<b>JOB NO: 2019BS</b>
<b>CLIENT: CBS</b>	<b>SHT. 8A</b>	<b>DWG. NO: SK-3</b>	<b>REV: 0</b>

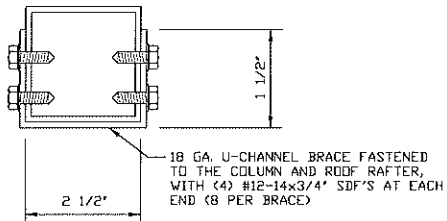
**FOR WIND SPEEDS ≤ 130 MPH**



**1D** **BOW EAVE RAFTER/CORNER POST CONNECTION DETAIL**  
**FOR HEIGHTS 12'-0" < TO ≤ 16'-0"**  
 SCALE: NTS



**1E** **BOW EAVE RAFTER/CORNER POST CONNECTION DETAIL**  
**FOR HEIGHTS 12'-0" < TO ≤ 16'-0"**  
 SCALE: NTS



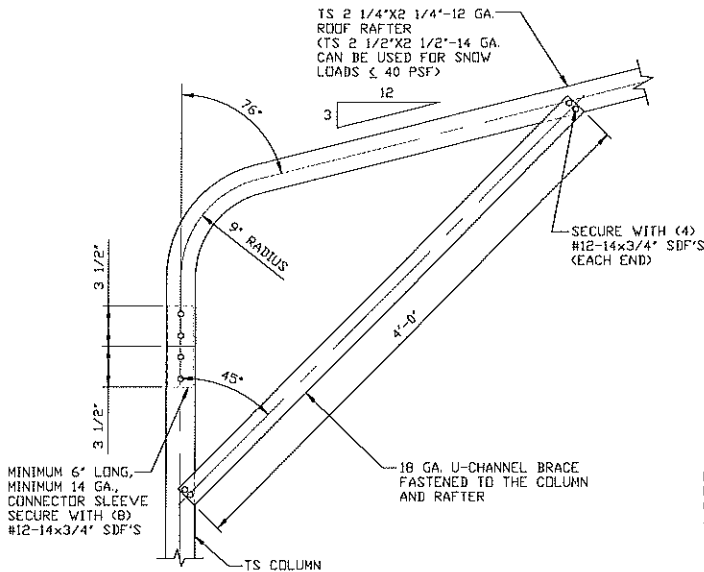
**BRACE SECTION**  
 SCALE: NTS

<b>MOORE AND ASSOCIATES                  ENGINEERING AND CONSULTING, INC.</b>	DRAWN BY: JG	CUSTOM BUILT STRUCTURES, INC. 1124 N. SOUTH STREET MOUNT AIRY, NC 27030 30'-0"x16'-0" ENCLOSED STRUCTURE		
	CHECKED BY: PDH			
PROJECT MGR: WSM	DATE: 10-2-20	SCALE: NTS	JOB NO: 2019BS	
CLIENT: CBS	SHT. BB	DWG. NO: SK-3	REV: 0	

THIS DOCUMENT IS THE PROPERTY OF MOORE AND ASSOCIATES ENGINEERING AND CONSULTING. THE UNAUTHORIZED REPRODUCTION, COPYING, OR OTHERWISE USE OF THIS DOCUMENT IS STRICTLY PROHIBITED AND ANY INFRINGEMENT THEREUPON MAY BE SUBJECT TO LEGAL ACTION.



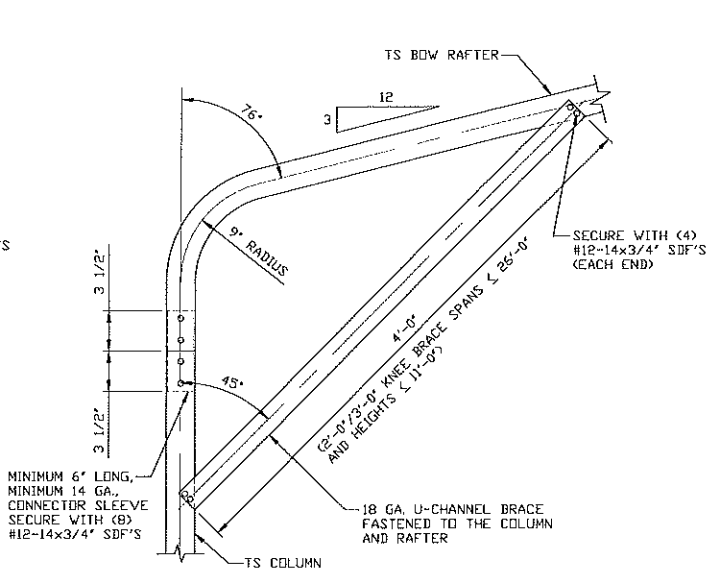
**FOR WIND SPEEDS ≤ 130 MPH**



**1F**

**BOW EAVE RAFTER/CORNER POST CONNECTION DETAIL FOR HEIGHTS ≤ 12'-0"**

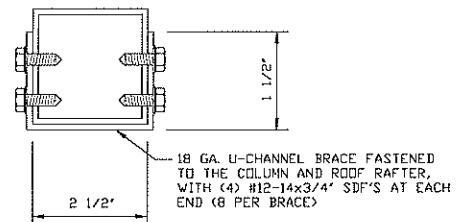
SCALE: NTS



**1G**

**BOW EAVE RAFTER/CORNER POST CONNECTION DETAIL FOR HEIGHTS ≤ 12'-0"**

SCALE: NTS

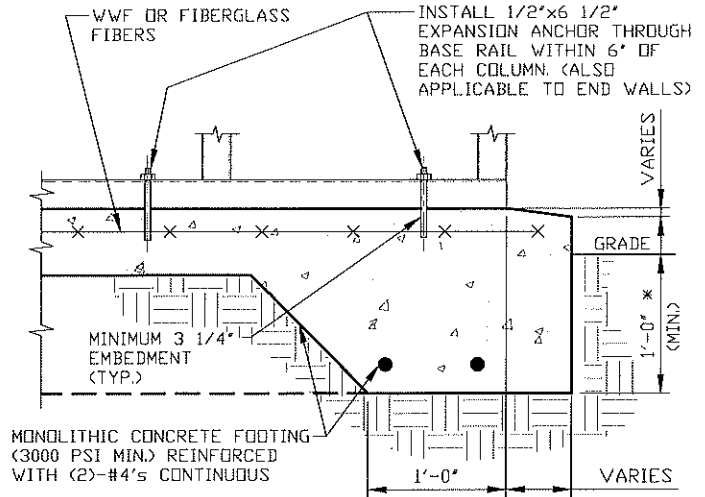
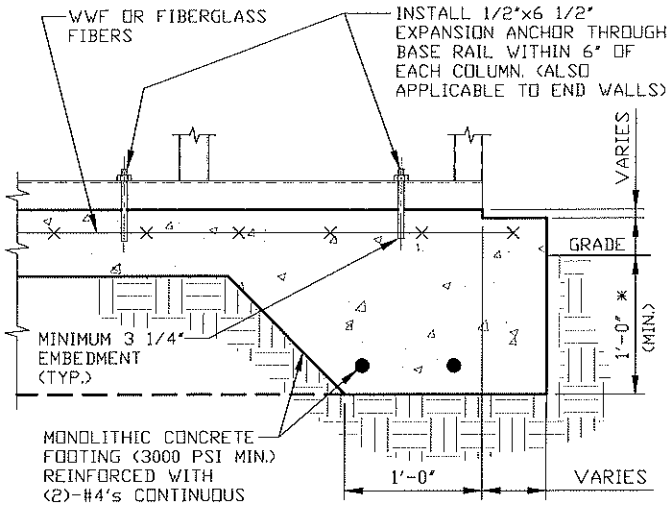


**BRACE SECTION**

SCALE: NTS

<b>MOORE AND ASSOCIATES ENGINEERING AND CONSULTING, INC.</b>	DRAWN BY: JG	CUSTOM BUILT STRUCTURES, INC. 1124 N. SOUTH STREET MOUNT AIRY, NC 27030 30'-0"x16'-0" ENCLOSED STRUCTURE		
	CHECKED BY: PDH			
THIS DOCUMENT IS THE PROPERTY OF MOORE AND ASSOCIATES ENGINEERING AND CONSULTING. THE UNAUTHORIZED REPRODUCTION, COPYING, OR OTHERWISE USE OF THIS DOCUMENT IS STRICTLY PROHIBITED AND ANY INFRINGEMENT THEREUPON MAY BE SUBJECT TO LEGAL ACTION.	PROJECT MGR: WSM	DATE: 10-2-20	SCALE: NTS	JOB NO: 20198S
	CLIENT: CBS	SHT. 8C	DWG. NO: SK-3	REV: 0

## BASE RAIL ANCHORAGE OPTIONS



**2** **CONCRETE MONOLITHIC SLAB  
BASE RAIL ANCHORAGE**  
SCALE: NTS  
MINIMUM ANCHOR EDGE DISTANCE IS 4".  
\* COORDINATE WITH LOCAL BUILDING CODE  
AND/OR D REGARDING MINIMUM FROST DEPTH  
(LENGTH).

**2A** **CONCRETE SLAB BASE  
RAIL ANCHORAGE**  
SCALE: NTS  
MINIMUM ANCHOR EDGE DISTANCE IS 4".  
\* COORDINATE WITH LOCAL BUILDING CODE  
AND/OR D REGARDING MINIMUM FROST DEPTH  
(LENGTH).

### GENERAL NOTES

NOTE: CONCRETE MONOLITHIC SLAB DESIGN BASED ON MINIMUM SOIL BEARING CAPACITY OF 1,500 PSF.

#### CONCRETE:

CONCRETE SHALL HAVE A MINIMUM SPECIFIED COMPRESSIVE STRENGTH OF 3,000 PSI AT 28 DAYS.

#### COVER OVER REINFORCING STEEL:

FOR FOUNDATIONS, MINIMUM CONCRETE COVER OVER REINFORCING BARS SHALL BE PER ACI-318:  
3" IN FOUNDATIONS WHERE THE CONCRETE IS CAST AGAINST AND PERMANENTLY IN CONTACT WITH THE EARTH OR EXPOSED TO THE EARTH OR WEATHER, AND 1 1/2" ELSEWHERE.

#### REINFORCING STEEL:

THE TURNDOWN REINFORCING STEEL SHALL BE ASTM A615 GRADE 60. THE SLAB REINFORCEMENT SHALL BE WELDED WIRE FABRIC MEETING ASTM A185 OR FIBERGLASS FIBER REINFORCEMENT.

#### REINFORCEMENT MAY BE BENT IN THE SHOP OR THE FIELD PROVIDED:

1. REINFORCEMENT IS BENT COLD.
2. THE DIAMETER OF THE BEND, MEASURED ON THE INSIDE OF THE BAR, IS NOT LESS THAN SIX-BAR DIAMETERS.
3. REINFORCEMENT PARTIALLY EMBEDDED IN CONCRETE SHALL NOT BE FIELD BENT.

#### HELIX ANCHOR NOTES:

1. FOR VERY DENSE AND/OR CEMENTED SANDS, COARSE GRAVEL AND COBBLES, CALICHE, PRELOADED SILTS AND CLAYS, USE MINIMUM (2) 4" HELICES WITH MINIMUM 30" EMBEDMENT OR SINGLE 6" HELIX WITH MINIMUM 50" EMBEDMENT.
2. FOR CORAL USE MINIMUM (2) 4" HELICES WITH MINIMUM 30" EMBEDMENT OR SINGLE 6" HELIX WITH MINIMUM 50" EMBEDMENT.
3. FOR MEDIUM DENSE COARSE SANDS, SANDY GRAVELS, VERY STIFF SILTS, AND CLAYS USE MINIMUM (2) 4" HELICES WITH MINIMUM 30 INCH EMBEDMENT OR SINGLE 6" HELIX WITH MINIMUM 50" EMBEDMENT.
4. FOR LOOSE TO MEDIUM DENSE SANDS, FIRM TO STIFF CLAYS AND SILTS ALLUVIAL FILL, USE MINIMUM (2) 6" HELICES WITH MINIMUM 50" EMBEDMENT.
5. FOR VERY LOSE TO MEDIUM DENSE SANDS, FIRM TO STIFFER CLAYS AND SILTS, ALLUVIAL FILL, USE MINIMUM (2) 8" HELICES WITH MINIMUM 60" EMBEDMENT.

**MOORE AND ASSOCIATES  
ENGINEERING AND CONSULTING, INC.**

**DRAWN BY: JG**

**CHECKED BY: PDH**

**PROJECT MGR: WSM**

**CLIENT: CBS**

CUSTOM BUILT STRUCTURES, INC.  
1124 N. SOUTH STREET  
MOUNT AIRY, NC 27030  
30'-0"x16'-0" ENCLOSED STRUCTURE

**DATE: 10-2-20**

**SCALE: NTS**

**JOB NO: 2019BS**

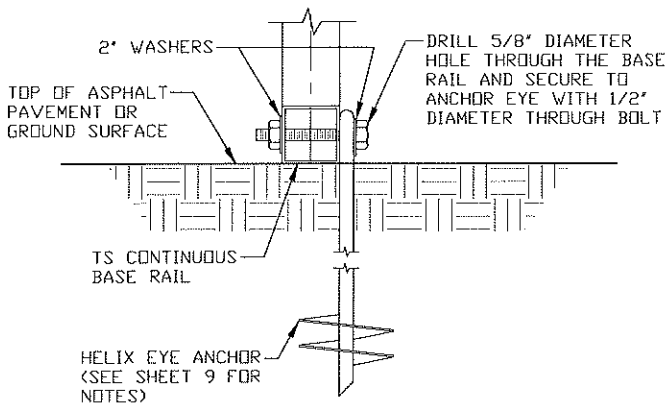
**SHT. 9**

**DWG. NO: SK-3**

**REV: 0**

THIS DOCUMENT IS THE PROPERTY OF MOORE AND ASSOCIATES ENGINEERING AND CONSULTING. THE UNAUTHORIZED REPRODUCTION, COPYING, OR OTHERWISE USE OF THIS DOCUMENT IS STRICTLY PROHIBITED AND ANY INFRINGEMENT THEREUPON MAY BE SUBJECT TO LEGAL ACTION.

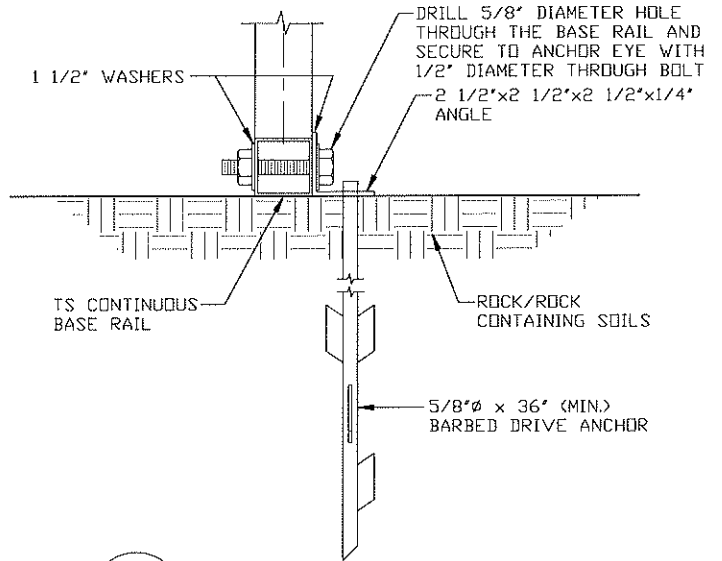
## BASE RAIL ANCHORAGE OPTIONS



2B

### GROUND BASE HELIX ANCHORAGE

SCALE: NTS  
 (CAN BE USED FOR ASPHALT)  
 \* COORDINATE WITH LOCAL BUILDING CODE AND/OR REGARDING MINIMUM FROST DEPTH (LENGTH).



2C

### ASPHALT BASE ANCHORAGE

SCALE: NTS  
 \* COORDINATE WITH LOCAL BUILDING CODE AND/OR REGARDING MINIMUM FROST DEPTH (LENGTH).

**MOORE AND ASSOCIATES  
 ENGINEERING AND CONSULTING, INC.**

DRAWN BY: JG

CHECKED BY: PDH

PROJECT MGR: WSM

CLIENT: CBS

CUSTOM BUILT STRUCTURES, INC.  
 1124 N. SOUTH STREET  
 MOUNT AIRY, NC 27030  
 30'-0" x 16'-0" ENCLOSED STRUCTURE

DATE: 10-2-20

SHT. 9A

SCALE: NTS

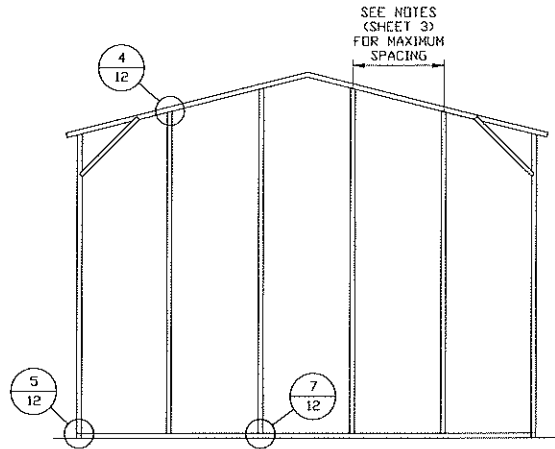
DWG. NO: SK-3

JOB NO: 2019BS

REV: 0

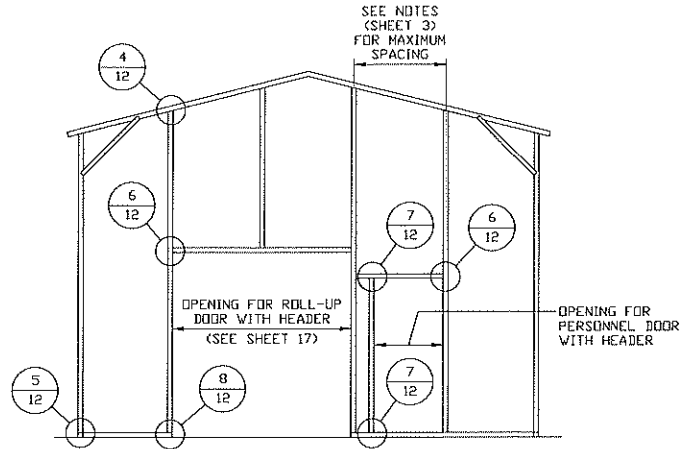
THIS DOCUMENT IS THE PROPERTY OF MOORE AND ASSOCIATES ENGINEERING AND CONSULTING. THE UNAUTHORIZED REPRODUCTION, COPYING, OR OTHERWISE USE OF THIS DOCUMENT IS STRICTLY PROHIBITED AND ANY INFRINGEMENT THEREUPON MAY BE SUBJECT TO LEGAL ACTION.

# BOX EAVE RAFTER END WALL AND SIDE WALL OPENINGS



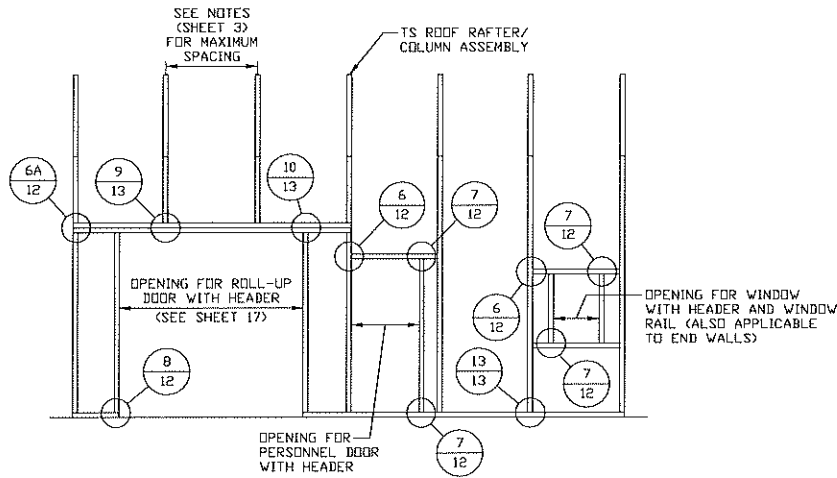
**TYPICAL BOX EAVE RAFTER  
END WALL FRAMING SECTION**

SCALE: NTS



**TYPICAL BOX EAVE RAFTER END  
WALL OPENINGS FRAMING SECTION**

SCALE: NTS



**TYPICAL BOX EAVE RAFTER  
SIDE WALL OPENINGS FRAMING SECTION**

SCALE: NTS

**MOORE AND ASSOCIATES  
ENGINEERING AND CONSULTING, INC.**

**DRAWN BY: JG**

**CHECKED BY: PDH**

**PROJECT MGR: WSM**

**CLIENT: CBS**

CUSTOM BUILT STRUCTURES, INC.  
1124 N. SOUTH STREET  
MOUNT AIRY, NC 27030  
30'-0" x 16'-0" ENCLOSED STRUCTURE

**DATE: 10-2-20**

**SHT. 10**

**SCALE: NTS**

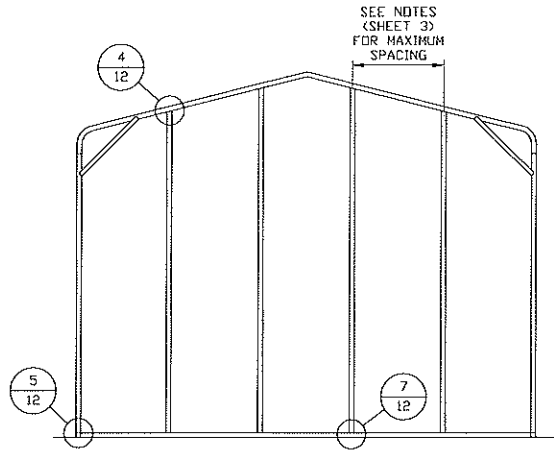
**DWG. NO: SK-3**

**JOB NO: 20198S**

**REV: 0**

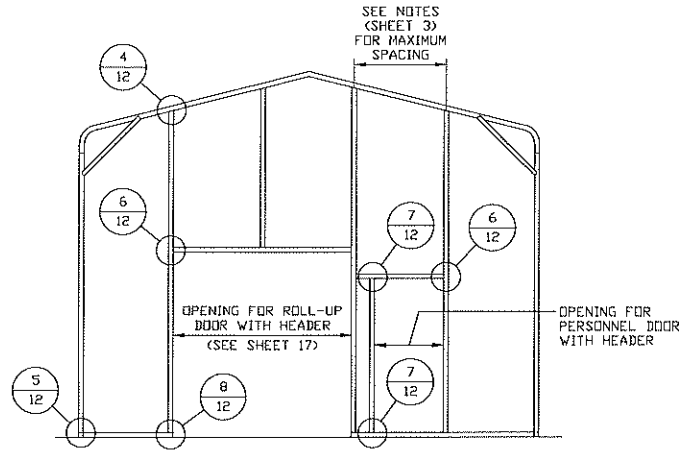
THIS DOCUMENT IS THE PROPERTY OF MOORE AND ASSOCIATES ENGINEERING AND CONSULTING. THE UNAUTHORIZED REPRODUCTION, COPYING, OR OTHERWISE USE OF THIS DOCUMENT IS STRICTLY PROHIBITED AND ANY INFRINGEMENT THEREUPON MAY BE SUBJECT TO LEGAL ACTION.

# BOW EAVE RAFTER END WALL AND SIDE WALL OPENINGS



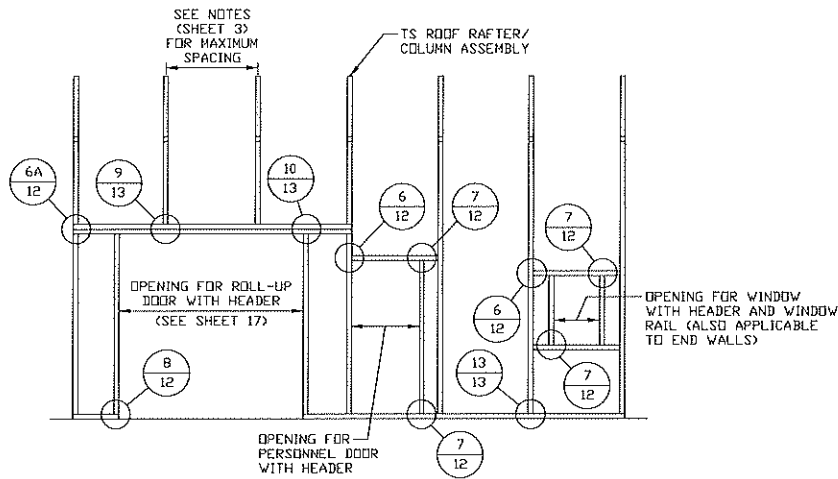
**TYPICAL BOW EAVE RAFTER  
END WALL FRAMING SECTION**

SCALE: NTS



**TYPICAL BOW EAVE RAFTER END  
WALL OPENINGS FRAMING SECTION**

SCALE: NTS



**TYPICAL BOW EAVE RAFTER  
SIDE WALL OPENINGS FRAMING SECTION**

SCALE: NTS

**MOORE AND ASSOCIATES  
ENGINEERING AND CONSULTING, INC.**

**DRAWN BY: JG**

**CHECKED BY: PDH**

**PROJECT MGR: WSM**

**CLIENT: CBS**

CUSTOM BUILT STRUCTURES, INC.  
1124 N. SOUTH STREET  
MOUNT AIRY, NC 27030  
30'-0" x 16'-0" ENCLOSED STRUCTURE

**DATE: 10-2-20**

**SHT. 11**

**SCALE: NTS**

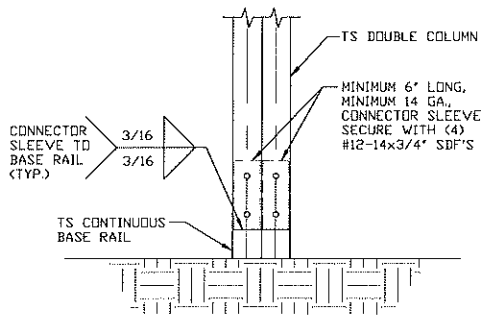
**DWG. NO: SK-3**

**JOB NO: 20198S**

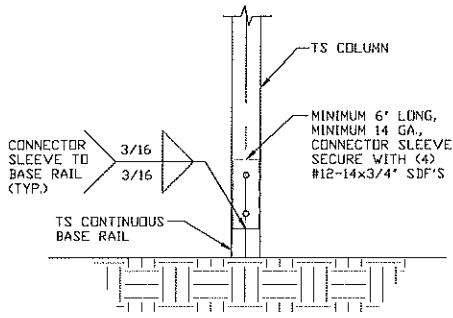
**REV: 0**

THIS DOCUMENT IS THE PROPERTY OF MOORE AND ASSOCIATES ENGINEERING AND CONSULTING. THE UNAUTHORIZED REPRODUCTION, COPYING, OR OTHERWISE USE OF THIS DOCUMENT IS STRICTLY PROHIBITED AND ANY INFRINGEMENT THEREUPON MAY BE SUBJECT TO LEGAL ACTION.

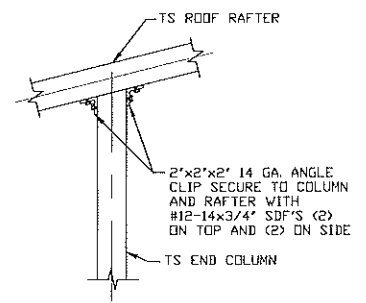
# CONNECTION DETAILS



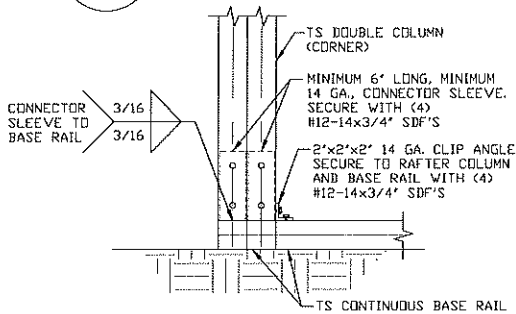
**3** POST/BASE RAIL CONNECTION DETAIL  
SCALE: NTS



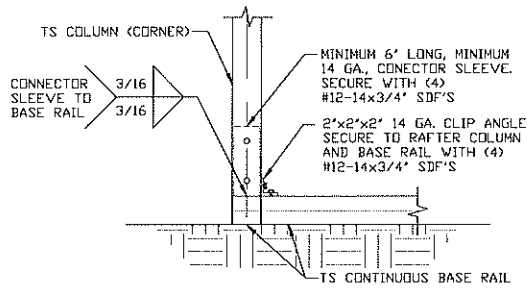
**3A** POST/BASE RAIL CONNECTION DETAIL  
SCALE: NTS



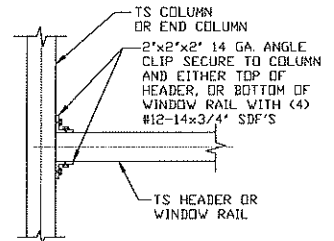
**4** END COLUMN/RAFTER CONNECTION DETAIL  
SCALE: NTS



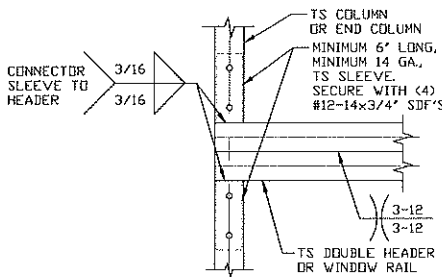
**5** END COLUMN/BASE RAIL CONNECTION DETAIL  
SCALE: NTS



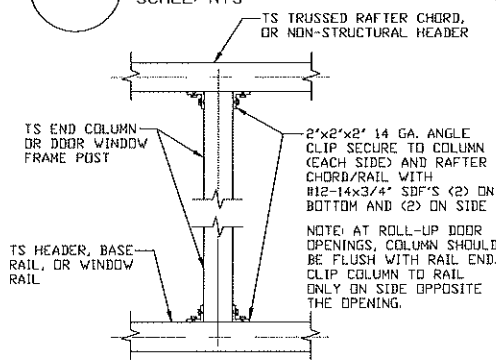
**5A** END COLUMN/BASE RAIL CONNECTION DETAIL  
SCALE: NTS



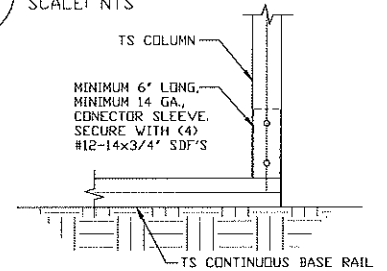
**6** COLUMN OR WINDOW RAIL/WALL GIRT TO POST CONNECTION DETAIL  
SCALE: NTS



**6A** COLUMN OR WINDOW RAIL TO POST CONNECTION DETAIL  
SCALE: NTS



**7** COLUMN TO HEADER, BASE RAIL, OR WINDOW RAIL CONNECTION DETAIL  
SCALE: NTS



**8** COLUMN/BASE RAIL CONNECTION DETAIL  
SCALE: NTS

**MOORE AND ASSOCIATES  
ENGINEERING AND CONSULTING, INC.**

DRAWN BY: JG

CHECKED BY: PDH

PROJECT MGR: WSM

CLIENT: CBS

CUSTOM BUILT STRUCTURES, INC.  
1124 N. SOUTH STREET  
MOUNT AIRY, NC 27030  
30'-0"x16'-0" ENCLOSED STRUCTURE

DATE: 10-2-20

SHT. 12

SCALE: NTS

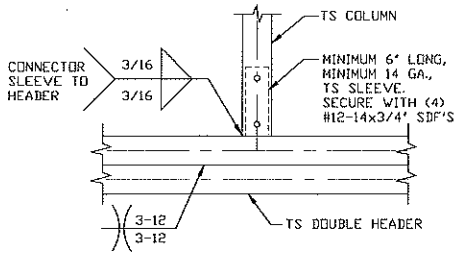
DWG. NO: SK-3

JOB NO: 20198S

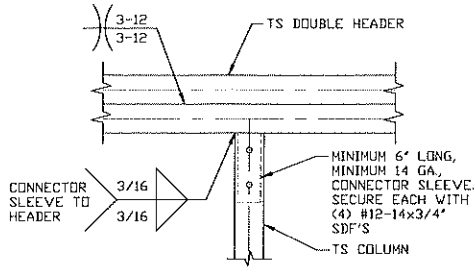
REV: 0

THIS DOCUMENT IS THE PROPERTY OF MOORE AND ASSOCIATES ENGINEERING AND CONSULTING. THE UNAUTHORIZED REPRODUCTION, COPYING, OR OTHERWISE USE OF THIS DOCUMENT IS STRICTLY PROHIBITED AND ANY INFRINGEMENT THEREUPON MAY BE SUBJECT TO LEGAL ACTION.

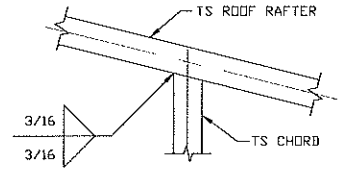
# CONNECTION DETAILS



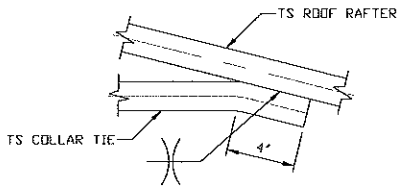
**9** COLUMN/DOUBLE HEADER CONNECTION DETAIL  
SCALE: NTS



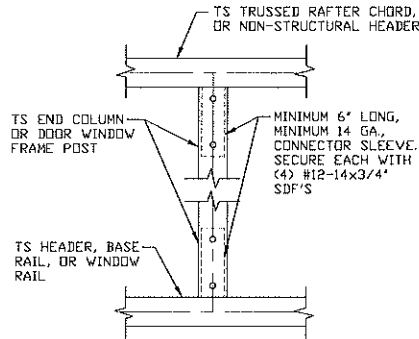
**10** DOUBLE HEADER/COLUMN CONNECTION DETAIL  
SCALE: NTS



**11** RAFTER TO CHORD CONNECTION DETAIL  
SCALE: NTS



**12** COLLAR TIE CONNECTION DETAIL  
SCALE: NTS



**13** COLUMN TO HEADER OR BASE RAIL CONNECTION DETAIL  
SCALE: NTS

**MOORE AND ASSOCIATES  
ENGINEERING AND CONSULTING, INC.**

DRAWN BY: JG

CHECKED BY: PDH

PROJECT MGR: WSM

CLIENT: CBS

CUSTOM BUILT STRUCTURES, INC.  
1124 N. SOUTH STREET  
MOUNT AIRY, NC 27030  
30'-0" x 16'-0" ENCLOSED STRUCTURE

DATE: 10-2-20

SHT. 13

SCALE: NTS

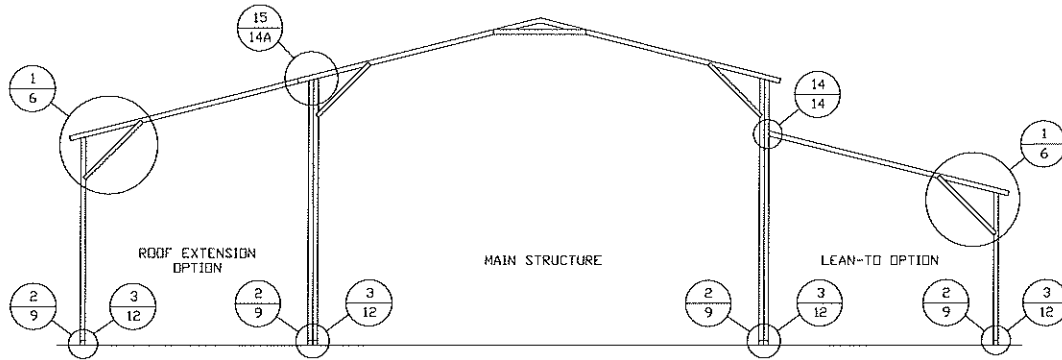
DWG. NO: SK-3

JOB NO: 20198S

REV: 0

THIS DOCUMENT IS THE PROPERTY OF MOORE AND ASSOCIATES ENGINEERING AND CONSULTING. THE UNAUTHORIZED REPRODUCTION, COPYING, OR OTHERWISE USE OF THIS DOCUMENT IS STRICTLY PROHIBITED AND ANY INFRINGEMENT THEREUPON MAY BE SUBJECT TO LEGAL ACTION.

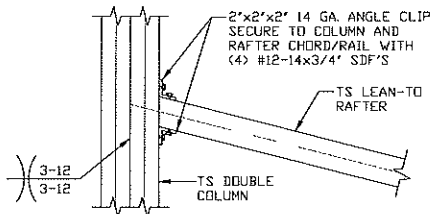
# BOX EAVE RAFTER LEAN-TO OPTIONS



## TYPICAL BOX EAVE RAFTER LEAN-TO OPTIONS FRAMING SECTION (BOTH OPTIONS SHOWN)

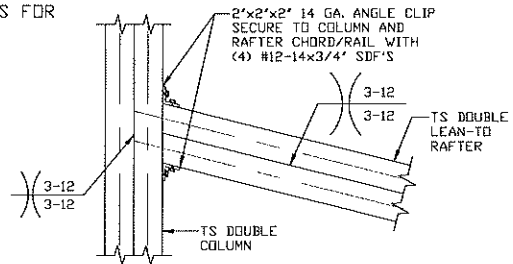
SCALE: NTS

NOTE: KNEE BRACE MUST BE 4'-0" REGARDLESS OF COLUMN HEIGHT.  
FOR SHARED COLUMNS REFERENCE RAFTER COLUMN CONNECTION DETAILS FOR APPROPRIATE COLUMN HEIGHT AND TUBING SPECIFICATIONS.



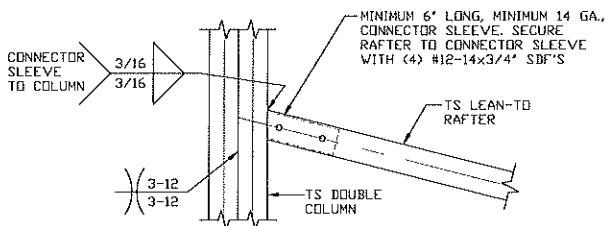
**14** LEAN-TO RAFTER TO RAFTER COLUMN CONNECTION DETAIL FOR RAFTER SPANS  $\leq 12'-0"$

SCALE: NTS



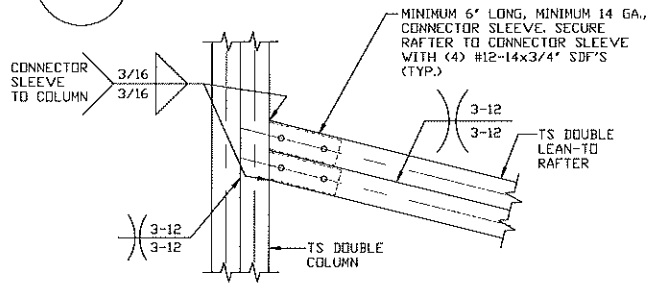
**14A** LEAN-TO RAFTER TO RAFTER COLUMN CONNECTION DETAIL FOR RAFTER SPANS  $12'-0" < \text{TO} \leq 16'-0"$

SCALE: NTS



**14B** LEAN-TO RAFTER TO RAFTER COLUMN CONNECTION DETAIL FOR RAFTER SPANS  $\leq 12'-0"$

SCALE: NTS



**14C** LEAN-TO RAFTER TO RAFTER COLUMN CONNECTION DETAIL FOR RAFTER SPANS  $12'-0" < \text{TO} \leq 16'-0"$

SCALE: NTS

**MOORE AND ASSOCIATES  
ENGINEERING AND CONSULTING, INC.**

DRAWN BY: JG

CHECKED BY: PDH

PROJECT MGR: WSM

CLIENT: CBS

CUSTOM BUILT STRUCTURES, INC.  
1124 N. SOUTH STREET  
MOUNT AIRY, NC 27030  
30'-0" x 16'-0" ENCLOSED STRUCTURE

DATE: 10-2-20

SHT. 14

SCALE: NTS

DWG. NO: SK-3

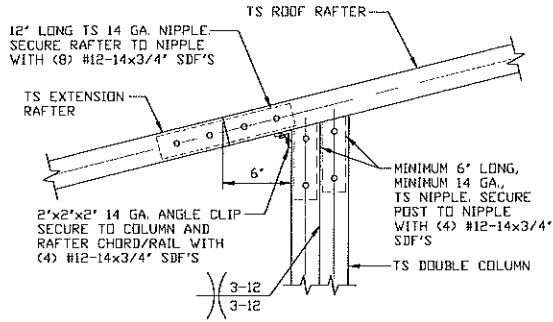
JOB NO: 20198S

REV: 0

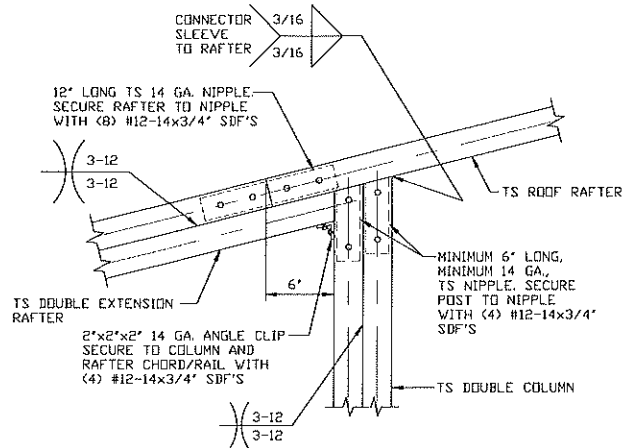
THIS DOCUMENT IS THE PROPERTY OF MOORE AND ASSOCIATES ENGINEERING AND CONSULTING. THE UNAUTHORIZED REPRODUCTION, COPYING, OR OTHERWISE USE OF THIS DOCUMENT IS STRICTLY PROHIBITED AND ANY INFRINGEMENT THEREUPON MAY BE SUBJECT TO LEGAL ACTION.



# BOX EAVE RAFTER LEAN-TO OPTIONS



**15** SIDE EXTENSION RAFTER/COLUMN  
 DETAIL FOR SPANS  $\leq 12'-0"$   
 SCALE: NTS



**15A** SIDE EXTENSION RAFTER/COLUMN  
 DETAIL FOR SPANS  $12'-0" < TO \leq 16'-0"$   
 SCALE: NTS

**MOORE AND ASSOCIATES  
 ENGINEERING AND CONSULTING, INC.**

**DRAWN BY: JG**

**CHECKED BY: PDH**

**PROJECT MGR: WSM**

**CLIENT: CBS**

**CUSTOM BUILT STRUCTURES, INC.**  
 1124 N. SOUTH STREET  
 MOUNT AIRY, NC 27030  
 30'-0"x16'-0" ENCLOSED STRUCTURE

**DATE: 10-2-20**

**SCALE: NTS**

**JOB NO: 20198S**

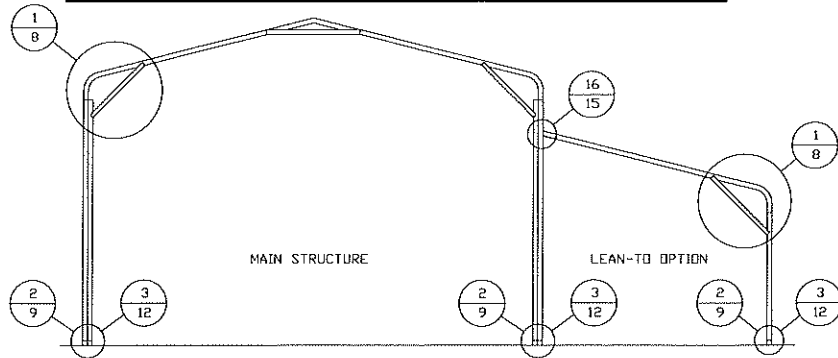
**SHT. 14A**

**DWG. NO: SK-3**

**REV: 0**

THIS DOCUMENT IS THE PROPERTY OF MOORE AND ASSOCIATES ENGINEERING AND CONSULTING. THE UNAUTHORIZED REPRODUCTION, COPYING, OR OTHERWISE USE OF THIS DOCUMENT IS STRICTLY PROHIBITED AND ANY INFRINGEMENT THEREUPON MAY BE SUBJECT TO LEGAL ACTION.

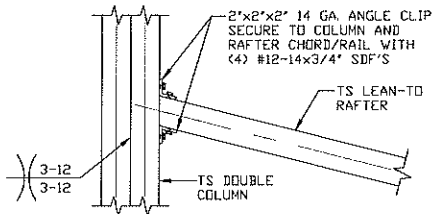
# BOW EAVE RAFTER LEAN-TO OPTIONS



## TYPICAL BOW EAVE RAFTER LEAN-TO OPTIONS FRAMING SECTION

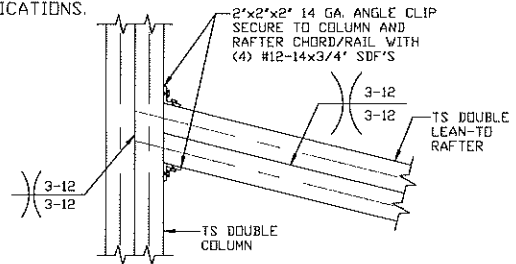
SCALE: NTS

NOTE: KNEE BRACE MUST BE 4'-0" REGARDLESS OF COLUMN HEIGHT.  
FOR SHARED COLUMNS REFERENCE RAFTER COLUMN CONNECTION DETAILS FOR APPROPRIATE COLUMN HEIGHT AND TUBING SPECIFICATIONS.



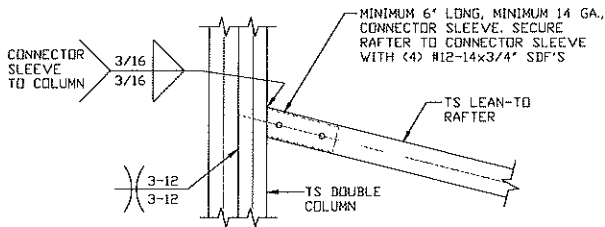
**16** LEAN-TO RAFTER TO RAFTER COLUMN CONNECTION DETAIL FOR RAFTER SPANS  $\leq 12'-0"$

SCALE: NTS



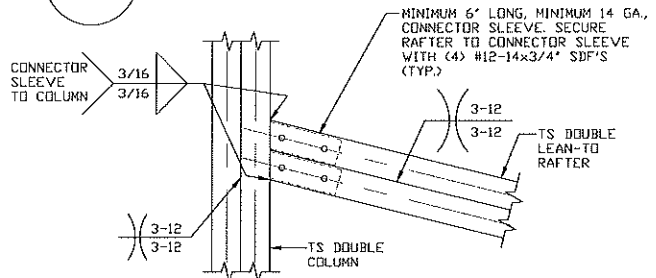
**16A** LEAN-TO RAFTER TO RAFTER COLUMN CONNECTION DETAIL FOR RAFTER SPANS  $12'-0" < TO \leq 16'-0"$

SCALE: NTS



**16B** LEAN-TO RAFTER TO RAFTER COLUMN CONNECTION DETAIL FOR RAFTER SPANS  $\leq 12'-0"$

SCALE: NTS



**16C** LEAN-TO RAFTER TO RAFTER COLUMN CONNECTION DETAIL FOR RAFTER SPANS  $12'-0" < TO \leq 16'-0"$

SCALE: NTS

MOORE AND ASSOCIATES  
ENGINEERING AND CONSULTING, INC.

DRAWN BY: JG

CHECKED BY: PDH

PROJECT MGR: WSM

CLIENT: CBS

CUSTOM BUILT STRUCTURES, INC.  
1124 N. SOUTH STREET  
MOUNT AIRY, NC 27030  
30'-0"x16'-0" ENCLOSED STRUCTURE

DATE: 10-2-20

SHT. 15

SCALE: NTS

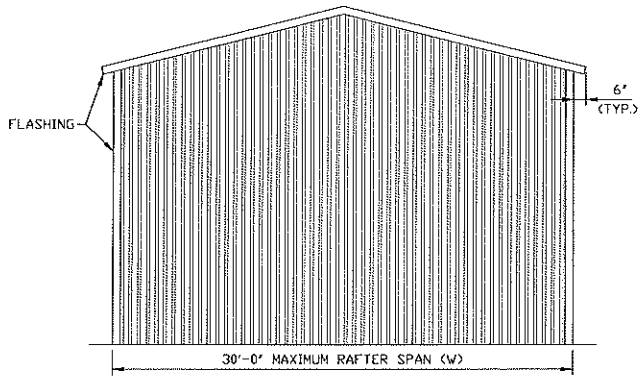
DWG. NO: SK-3

JOB NO: 20198S

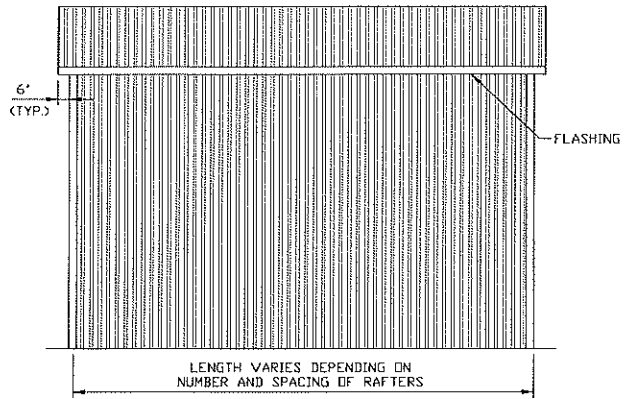
REV: 0

THIS DOCUMENT IS THE PROPERTY OF MOORE AND ASSOCIATES ENGINEERING AND CONSULTING. THE UNAUTHORIZED REPRODUCTION, COPYING, OR OTHERWISE USE OF THIS DOCUMENT IS STRICTLY PROHIBITED AND ANY INFRINGEMENT THEREUPON MAY BE SUBJECT TO LEGAL ACTION.

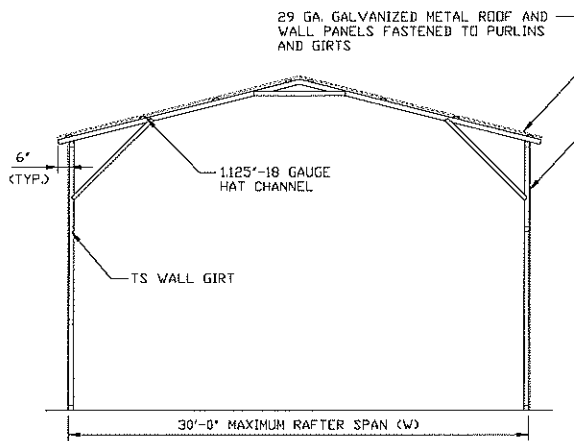
# BOX EAVE RAFTER VERTICAL ROOF/SIDING OPTION



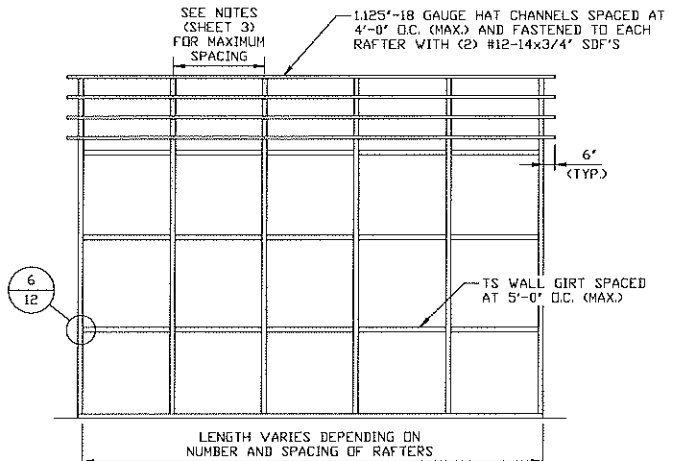
**TYPICAL END ELEVATION  
VERTICAL ROOF/SIDING**  
SCALE: NTS



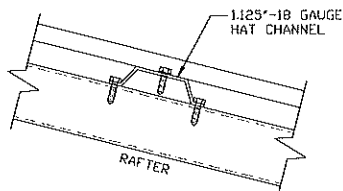
**TYPICAL SIDE ELEVATION  
VERTICAL ROOF/SIDING**  
SCALE: NTS



**TYPICAL SECTION VERTICAL  
ROOF/SIDING OPTION**  
SCALE: NTS



**TYPICAL FRAMING SECTION VERTICAL  
ROOF/SIDING OPTION WITH TS GIRTS**  
SCALE: NTS



**PANEL ATTACHMENT**  
(ALTERNATE FOR VERTICAL ROOF PANELS)  
SCALE: NTS

**MOORE AND ASSOCIATES  
ENGINEERING AND CONSULTING, INC.**

**DRAWN BY: JG**

**CHECKED BY: PDH**

**PROJECT MGR: WSM**

**CLIENT: CBS**

CUSTOM BUILT STRUCTURES, INC.  
1124 N. SOUTH STREET  
MOUNT AIRY, NC 27030  
30'-0"x16'-0" ENCLOSED STRUCTURE

**DATE: 10-2-20**

**SHT. 16**

**SCALE: NTS**

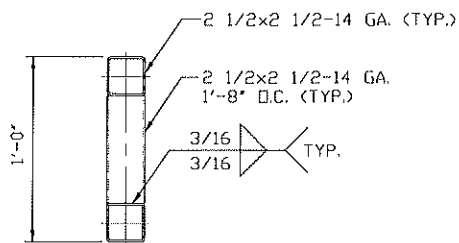
**DWG. NO: SK-3**

**JOB NO: 2019BS**

**REV: 0**

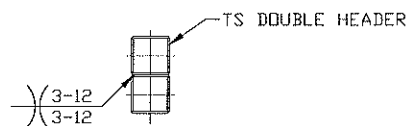
THIS DOCUMENT IS THE PROPERTY OF MOORE AND ASSOCIATES ENGINEERING AND CONSULTING. THE UNAUTHORIZED REPRODUCTION, COPYING, OR OTHERWISE USE OF THIS DOCUMENT IS STRICTLY PROHIBITED AND ANY INFRINGEMENT THEREUPON MAY BE SUBJECT TO LEGAL ACTION.

## SIDE WALL HEADER OPTIONS



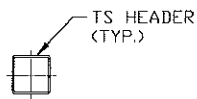
**HEADER DETAIL FOR SIDE  
WALL DOOR OPENINGS  
10'-0" < LENGTH ≤ 16'-0"**

SCALE: NTS  
(12'-0" < LENGTHS ≤ 16'-0"  
FOR SNOW LOADS ≤ 35 PSF)



**HEADER DETAIL FOR SIDE  
WALL DOOR OPENINGS  
6'-0" < LENGTH ≤ 10'-0"**

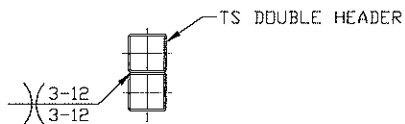
SCALE: NTS  
(6'-0" < LENGTHS ≤ 12'-0"  
FOR SNOW LOADS ≤ 35 PSF)



**HEADER DETAIL FOR SIDE  
WALL DOOR OPENINGS ≤ 6'-0"**

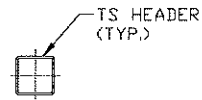
SCALE: NTS

## END WALL HEADER OPTIONS



**HEADER DETAIL FOR SIDE  
WALL DOOR OPENINGS  
12'-0" < LENGTH ≤ 16'-0"**

SCALE: NTS



**HEADER DETAIL FOR END  
WALL DOOR OPENINGS ≤ 12'-0"**

SCALE: NTS

**MOORE AND ASSOCIATES  
ENGINEERING AND CONSULTING, INC.**

**DRAWN BY: JG**

**CHECKED BY: PDH**

**PROJECT MGR: WSM**

**CLIENT: CBS**

CUSTOM BUILT STRUCTURES, INC.  
1124 N. SOUTH STREET  
MOUNT AIRY, NC 27030  
30'-0"x16'-0" ENCLOSED STRUCTURE

**DATE: 10-2-20**

**SHT. 17**

**SCALE: NTS**

**DWG. NO: SK-3**

**JOB NO: 2019BS**

**REV: 0**

THIS DOCUMENT IS THE PROPERTY OF MOORE AND ASSOCIATES ENGINEERING AND CONSULTING. THE UNAUTHORIZED REPRODUCTION, COPYING, OR OTHERWISE USE OF THIS DOCUMENT IS STRICTLY PROHIBITED AND ANY INFRINGEMENT THEREUPON MAY BE SUBJECT TO LEGAL ACTION.