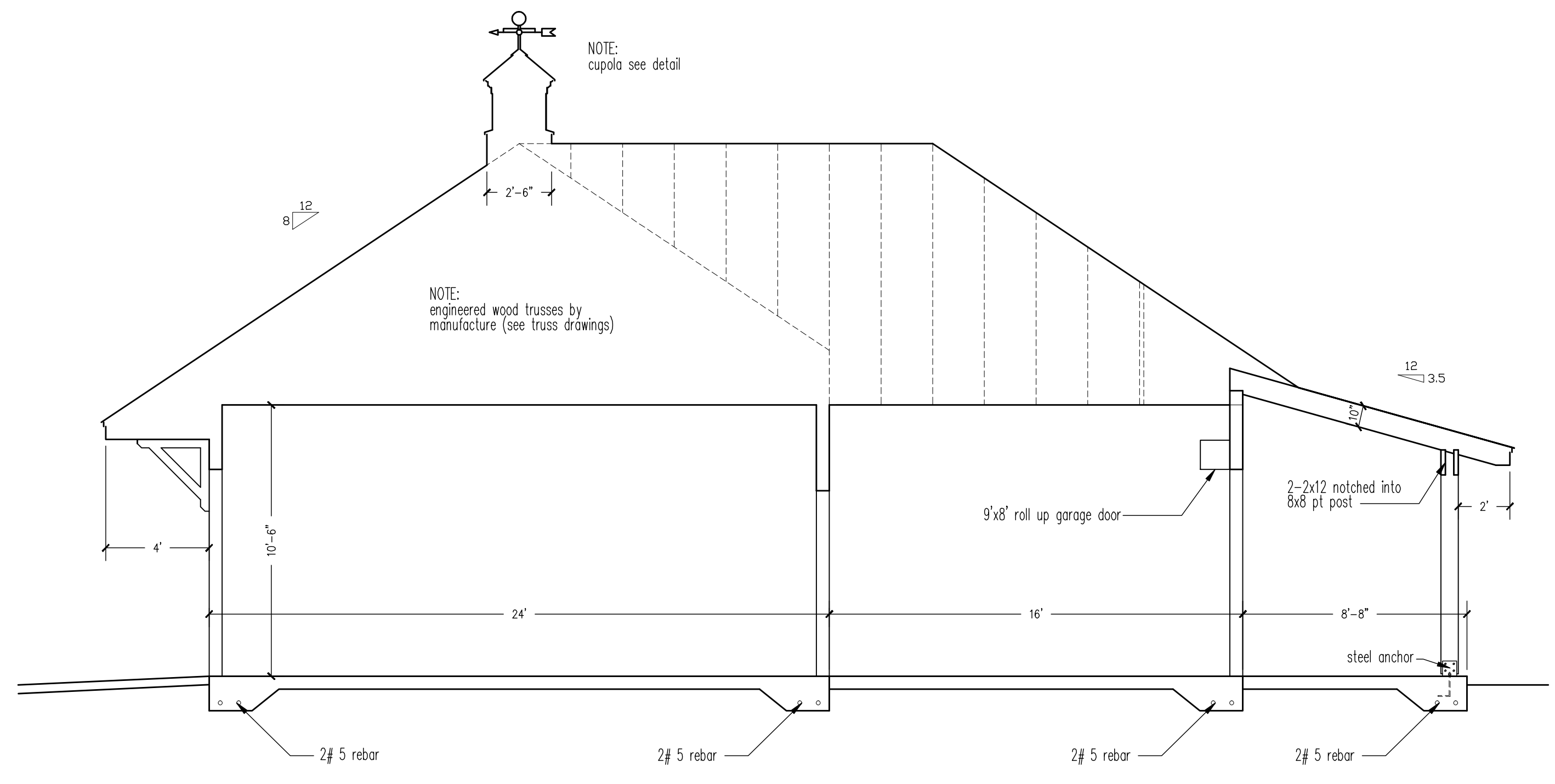


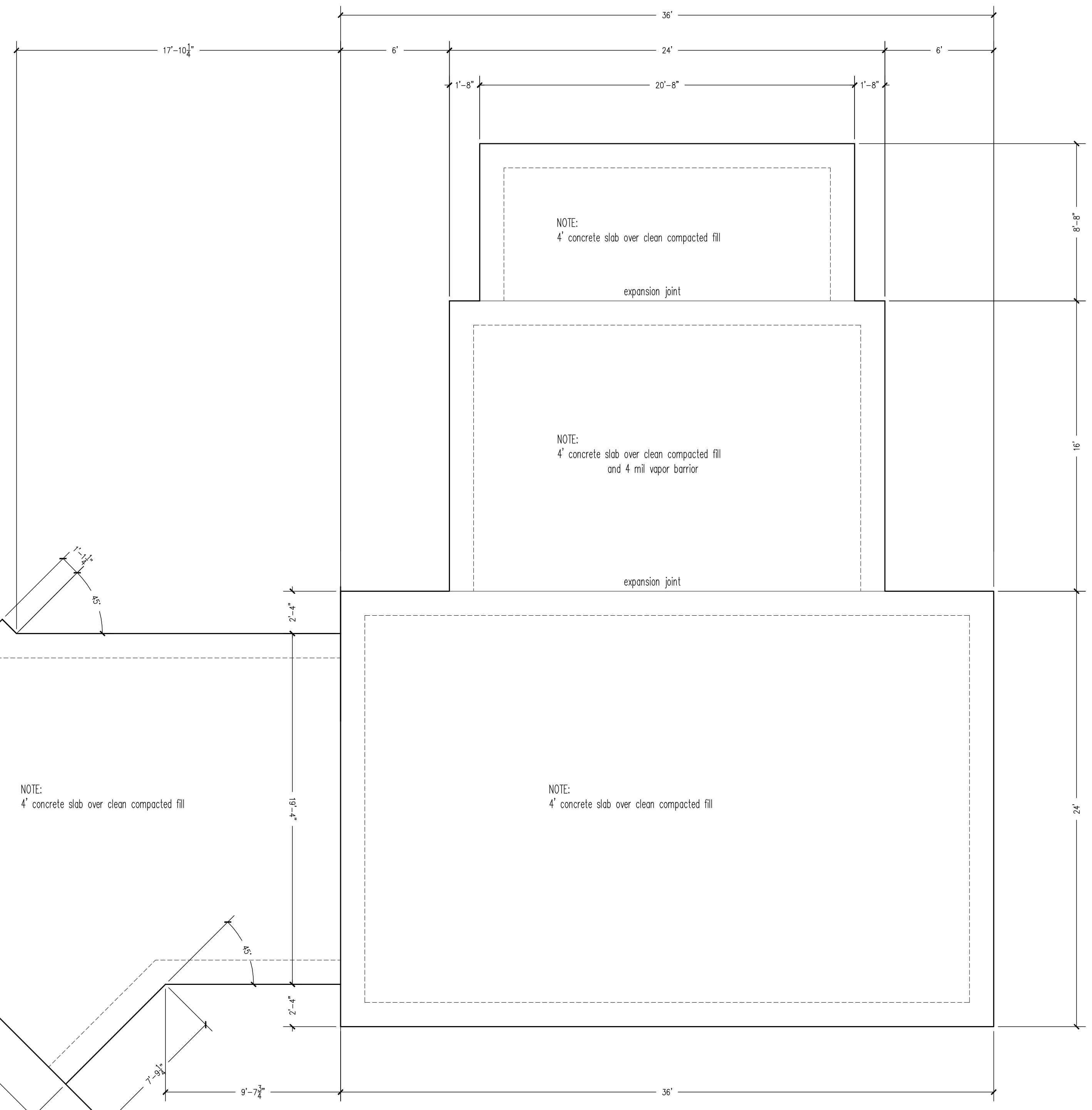
Floor Plan
SCALE: 1/4"=1'-0"

not for construction

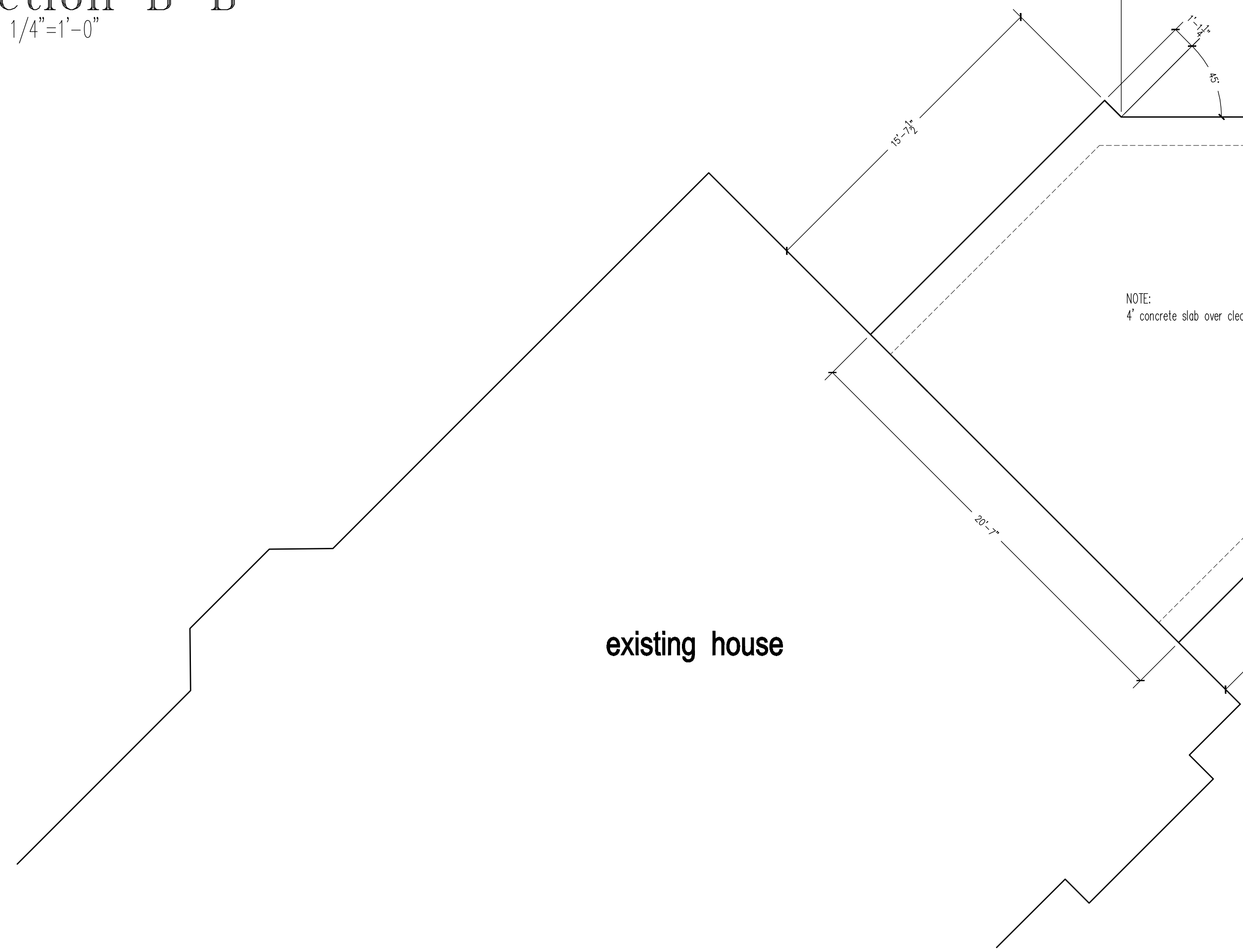
PROJECT NO.:	HAMLET
DRAWN BY:	RWL
DATE:	12/17/21
REVISIONS:	



Section B-B
SCALE: 1/4"=1'-0"



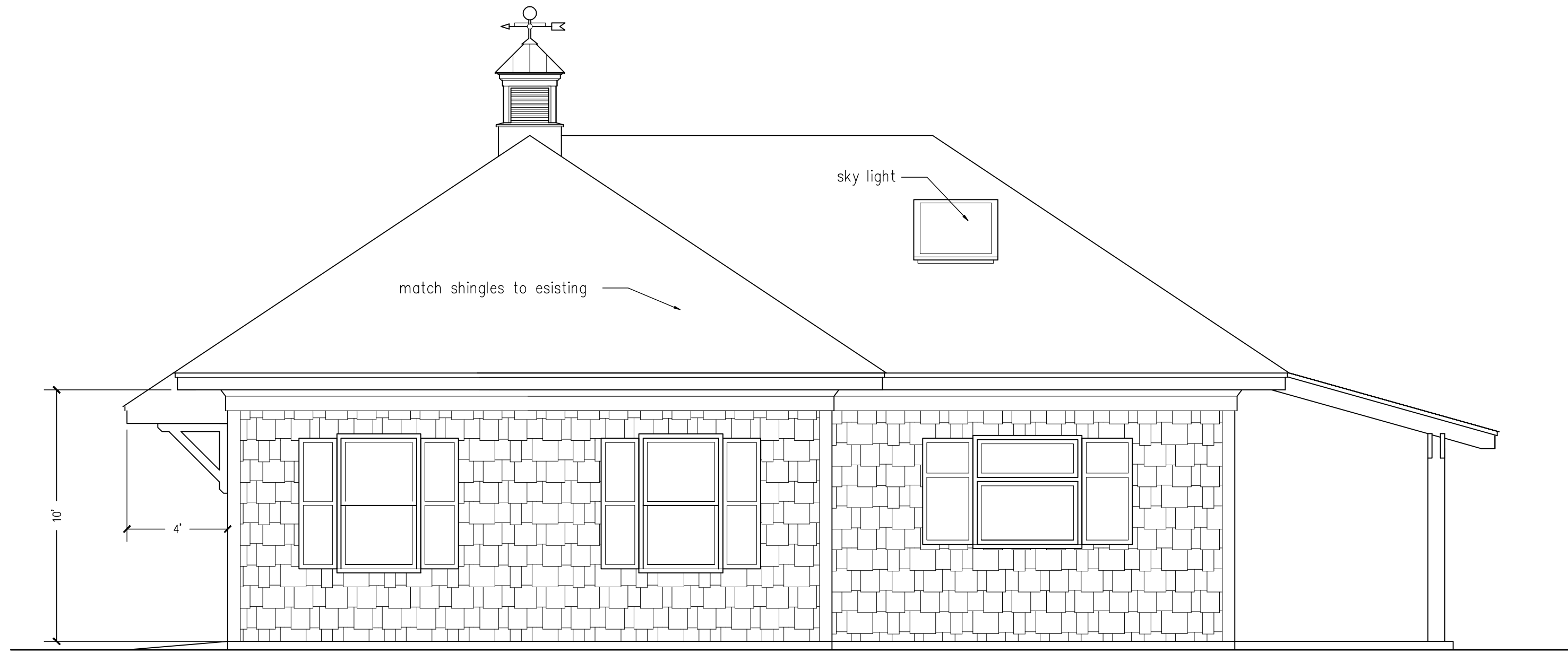
Foundation Plan
SCALE: 1/4"=1'-0"



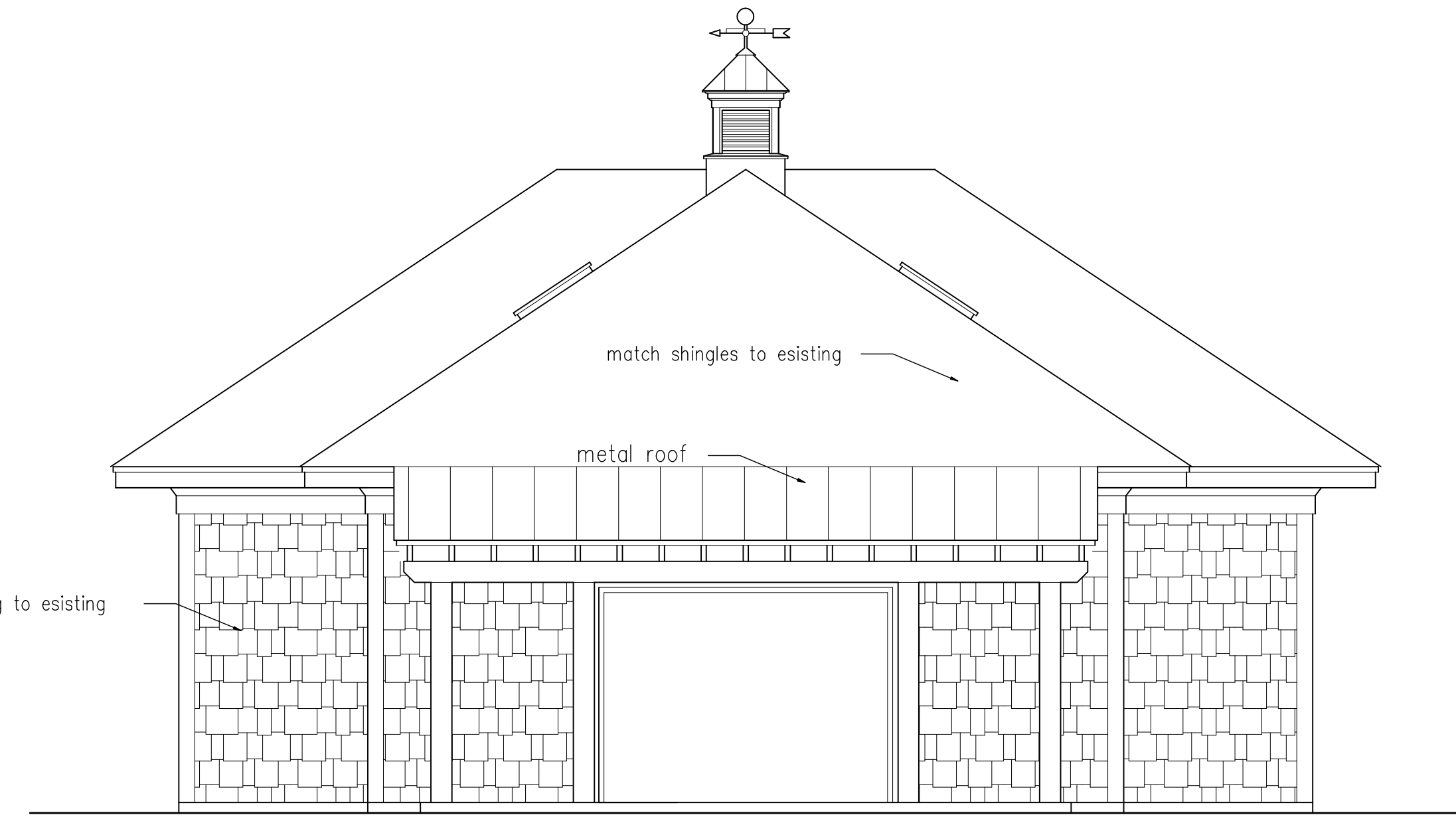
existing house

not for construction

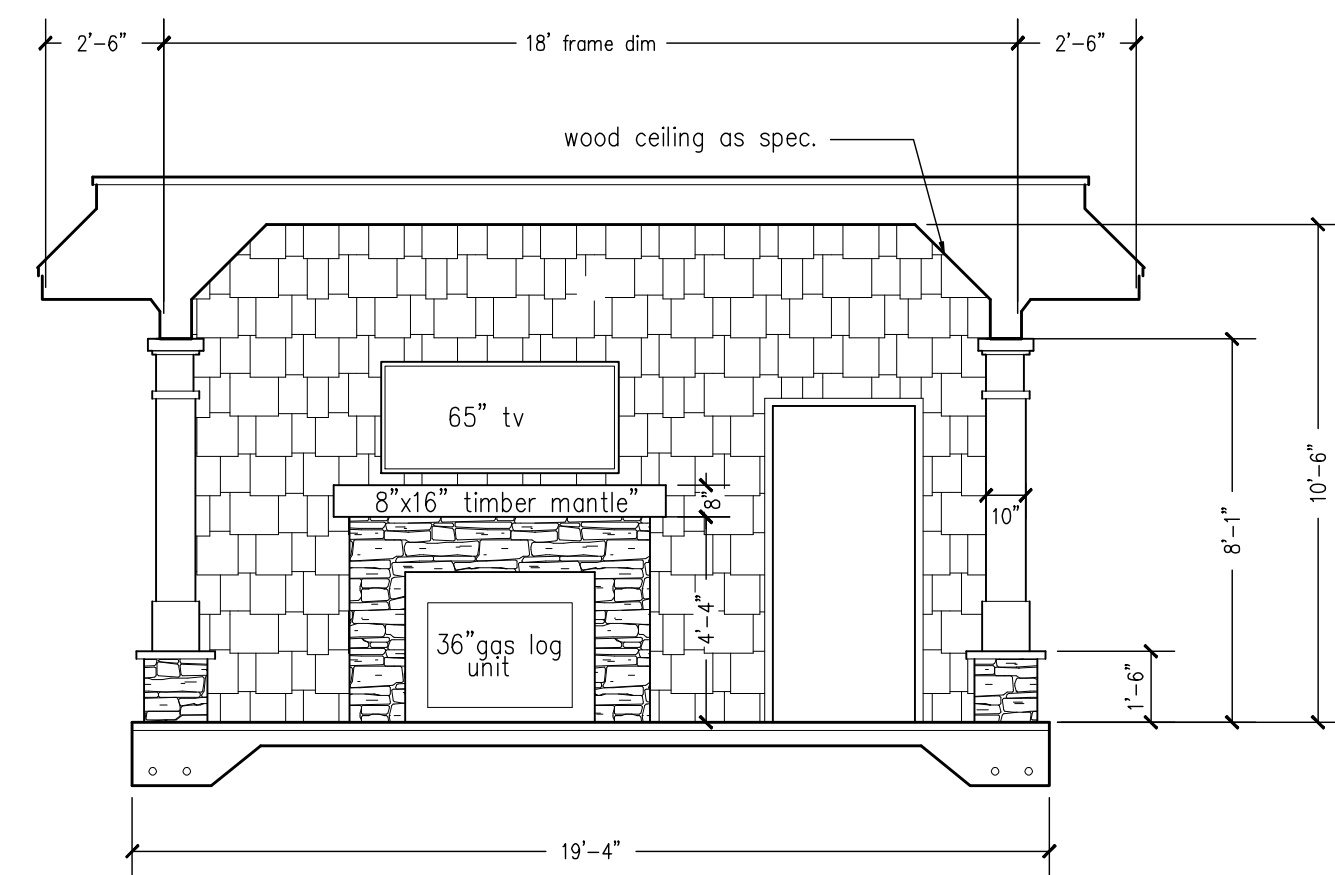
PROJECT NO.:	HAMLET
DRAWN BY:	RWL
DATE:	12/17/21
REVISIONS:	



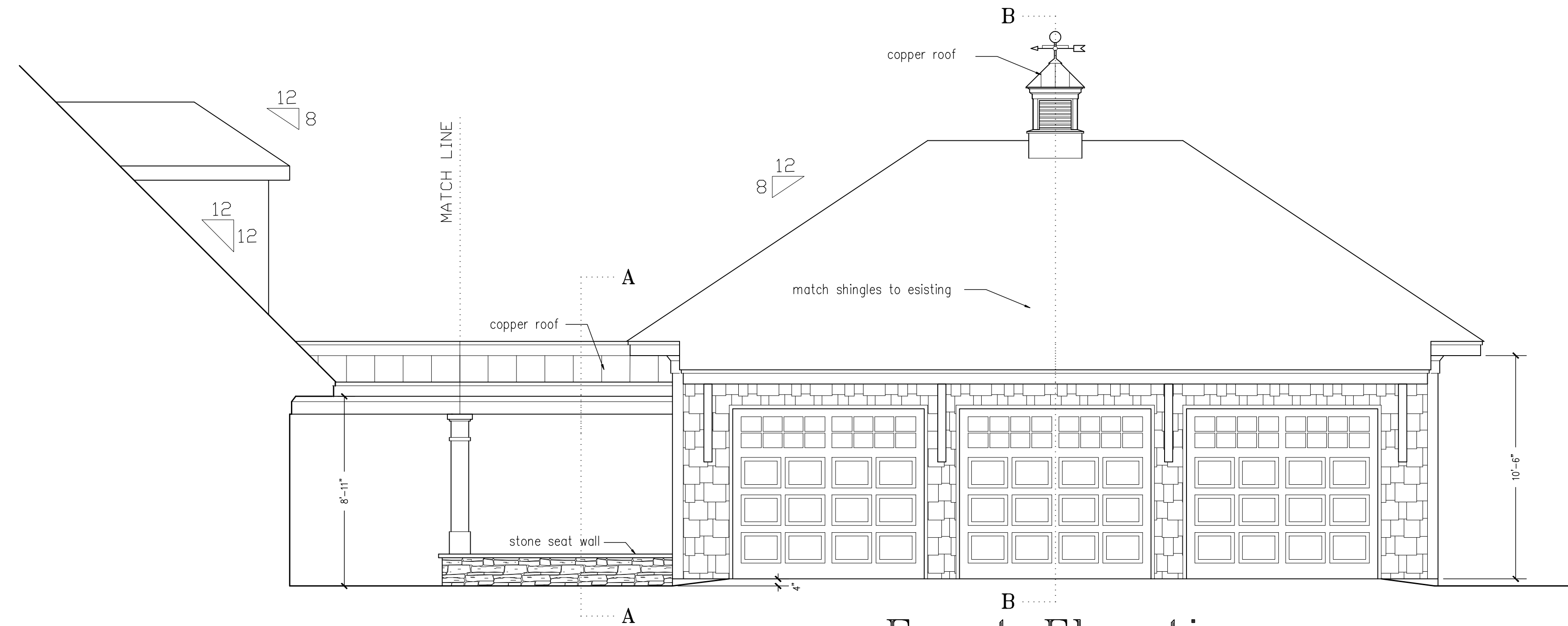
Side Elevation
SCALE: 1/4"=1'-0"



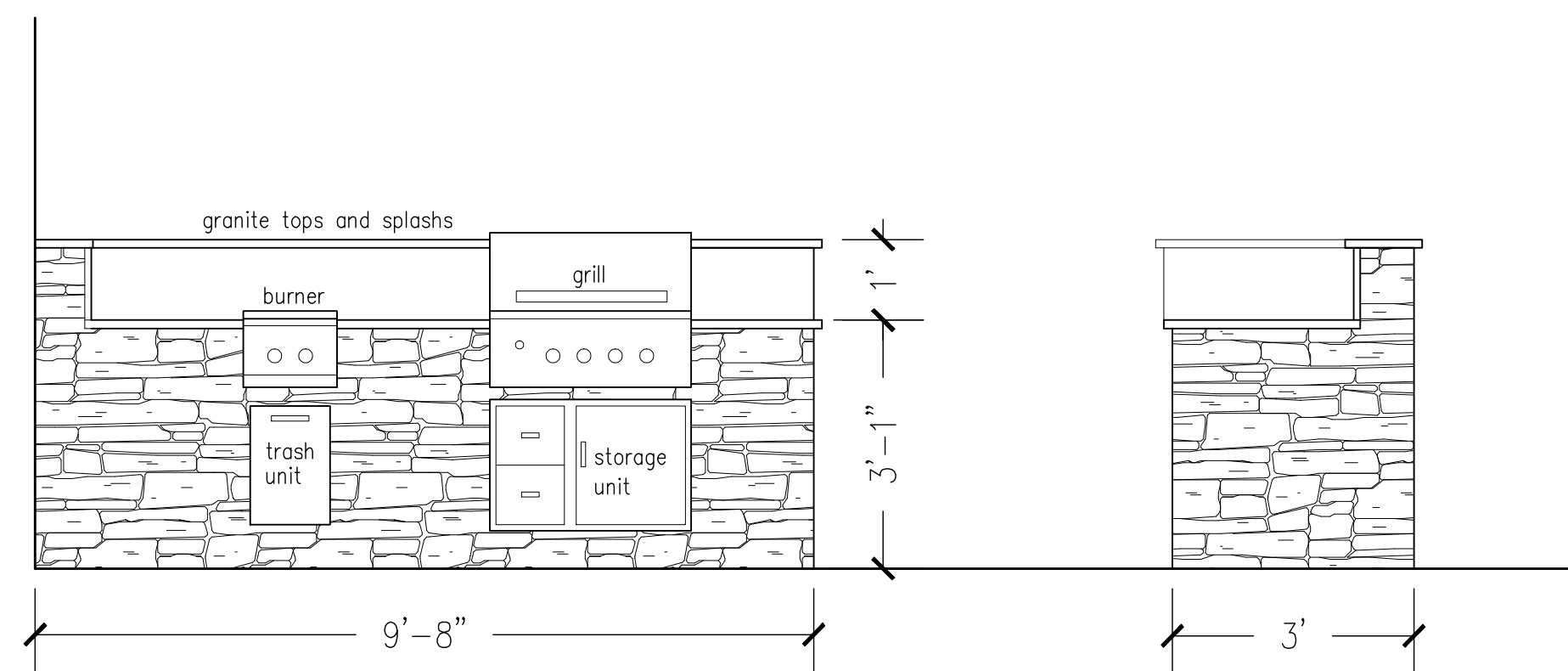
Rear Elevation
SCALE: 1/4"=1'-0"



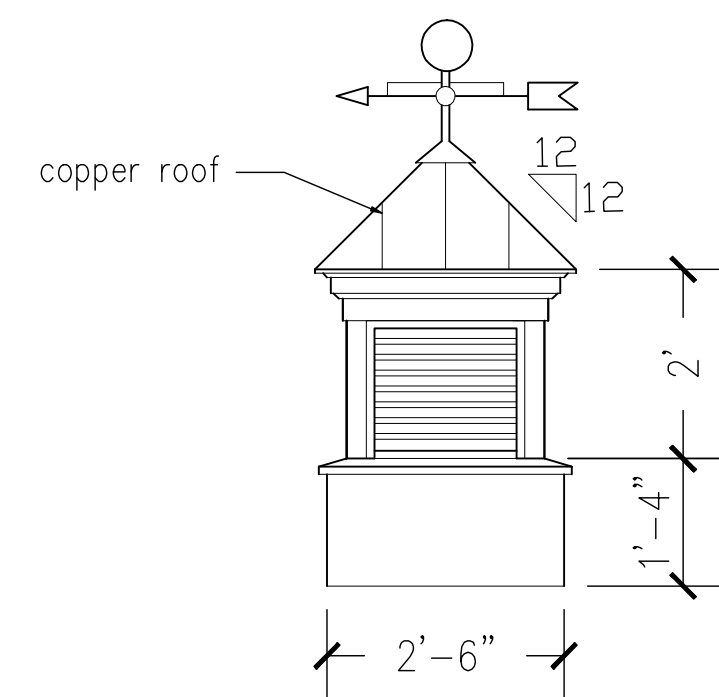
Section A-A
SCALE: 1/4"=1'-0"



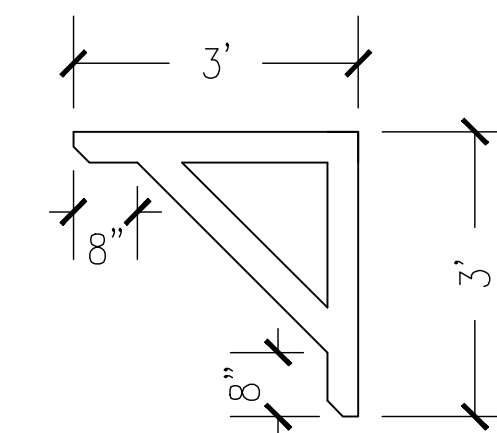
Front Elevation
SCALE: 1/4"=1'-0"



Kitchen Detail
SCALE: 1/2"=1'-0"



Cupola Detail
SCALE: 1/2"=1'-0"



Bracket Detail
SCALE: 1/2"=1'-0"

not for construction