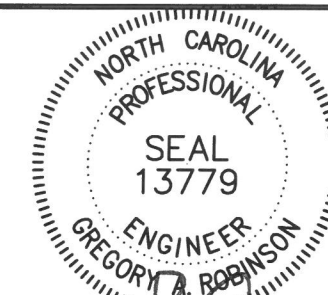


GREG ROBINSON, P.E.
CONSULTING ENGINEER

6512 Six Forks Road, Suite 403A
Raleigh, North Carolina 27615
(919) 846-4752 (919) 847-0455 fax
greg@gar-pe.com

THE **Shed Depot**
OF NORTH CAROLINA

1732 Westover Drive
Sanford, North Carolina 27330
919 . 776 . 0206
info@sheddepot.com



Gregory A. Robinson
04JUN19

GENERAL NOTES AND OUTLINE SPECIFICATIONS

01000 GENERAL

- Design Live Loads
Floor 40 psf
Roof 20 psf
- Ground Snow Loads (2018 NC Building Code, 2015 IRC, ASCE 7-10)
8 Ground Snow Load: 15 psf
- Wind loads (2018 NC Building Code, 2015 IRC, ASCE 7-10)
Basic Wind Velocity (ultimate): 120 mph; Exposure: C; Category III
- Lateral design controlled by Wind Loads.

02000 FOUNDATION

- Design soil bearing capacity: 2,000 psf (presumed).

06090 PRE-ENGINEERED WOOD CONNECTORS

- Connectors shall be hot-dipped galvanized or electro-plated galvanized with a minimum coating of G90.
- Nails shall be "common" unless otherwise noted in the drawings.

06110 WOOD FRAMING

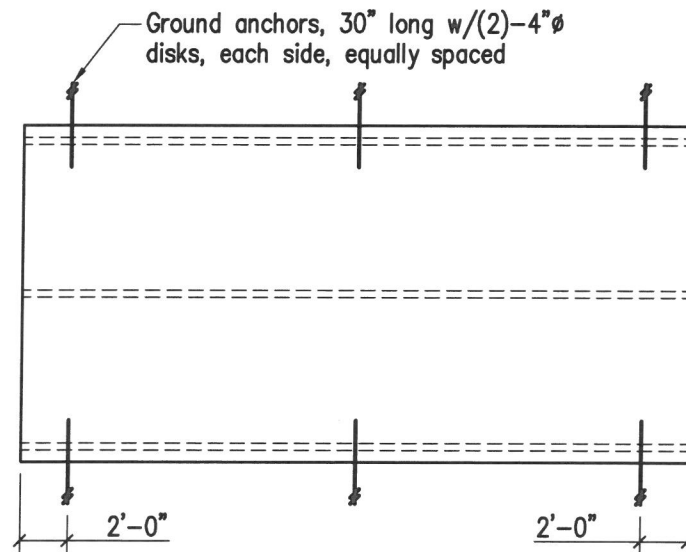
- Unless noted otherwise: kiln-dried, S-P-F, #2 grade, surfaced dry, 15 percent maximum moisture content.
Floor joists: preservative-treated, kiln-dried, Southern Pine, #2 grade, surfaced dry, 15 percent maximum moisture content.
Mud sills: preservative treated, kiln-dried, Southern Pine, #2 grade, surfaced dry, 19 percent maximum moisture content.
- Nail sizes:

Pennyweight	Length (inches)	Diameter (inches)
8d	2.5	0.131
10d	3	0.148
12d	3.25	0.148

06120 STRUCTURAL WOOD PANELS

- Sheathing shall conform to the grading rules of U.S. Product Standard PS 1, latest edition, and shall have appropriate grade trade mark of an American Plywood Association approved agency on each plywood panel. Sheathing shall be APA rated sheathing in thicknesses and span ratings shown drawings. Sheathing shall be applied in full sheets or in largest pieces practical for the area being covered.
- Particleboard sheathing: ANSI A208.1 APA Oriented Strand Board; wood flakes set with waterproof resin binder; unsanded faces.
- Secure roof sheathing perpendicular to framing members with ends staggered and sheet ends over firm bearing.
- Secure wall sheathing with long dimension parallel to wall studs, with ends over firm bearing and staggered.
- Install sheathing two span continuous minimum.

14'-0" x 30'-0" to 36'-0"
A-Frame Shed



Ground Anchors

(Ground_Anchors) Scale: 1/8"=1'-0"

Ground Anchor Schedule (ANCHOR SCHED)		
Building Length	Number of Ground Anchors Each Long Side	
30 ft - 36 ft	3	
12 ft - 28 ft	2	

- Notes:
- Minimum uplift capacity of each anchor: 2,300 pounds
 - Install ground anchors and strapping in accordance with manufacturer's instructions

DRAWING INDEX:

- C1 Cover Sheet and General Notes
- 2 Floor and Wall Framing Plans
- 3 Roof Framing Plans and Exterior Elevations
- 4 Wall Framing Elevations and Wall Section
- D1 Details
- D2 Details

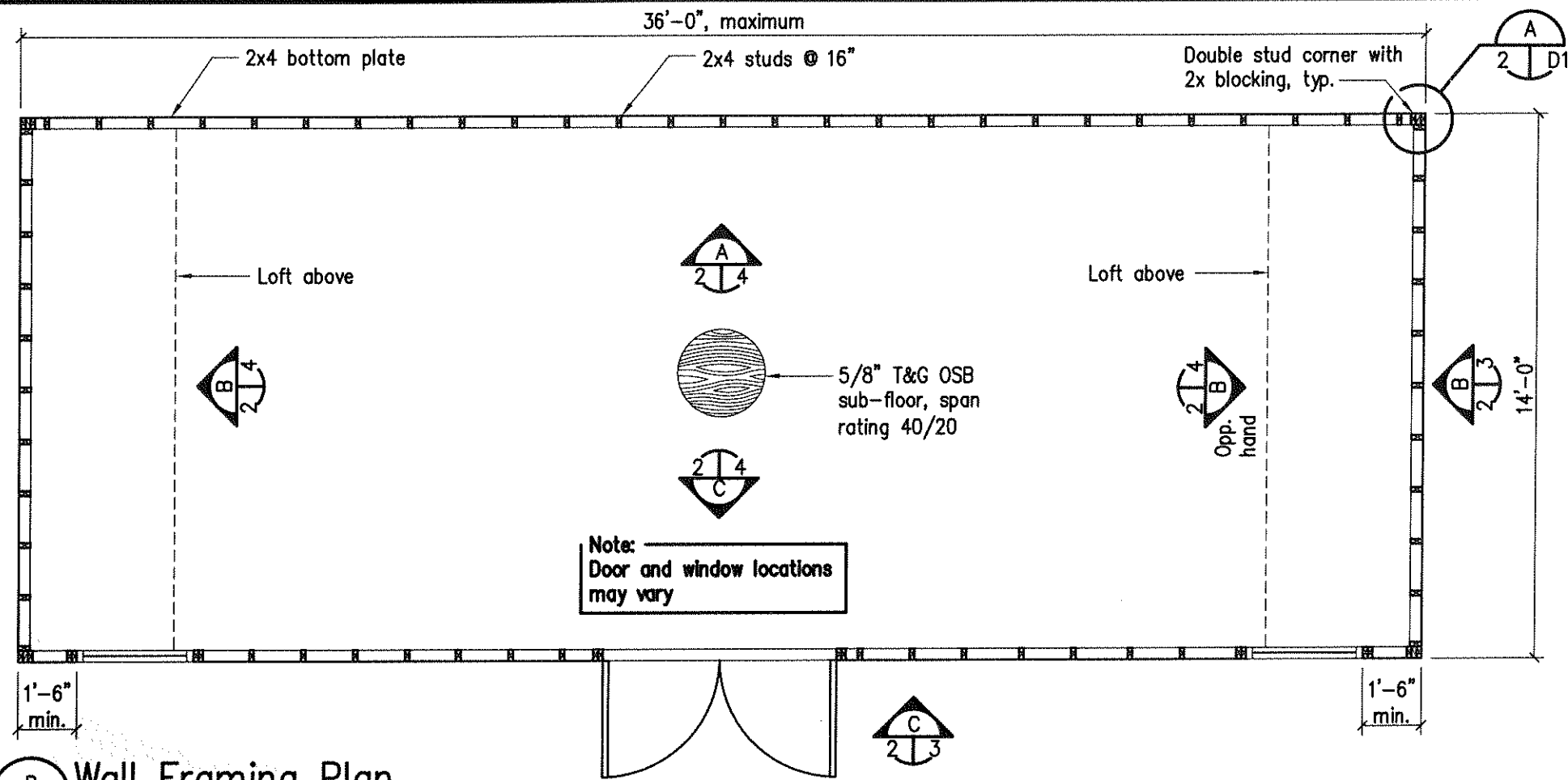
NOTICE TO CONTRACTOR
All construction must comply with current NC Building Codes and is subject to field inspection and verification.

APPROVED
Limited building only review
Permit holder responsible for full compliance with the code

02/17/2023

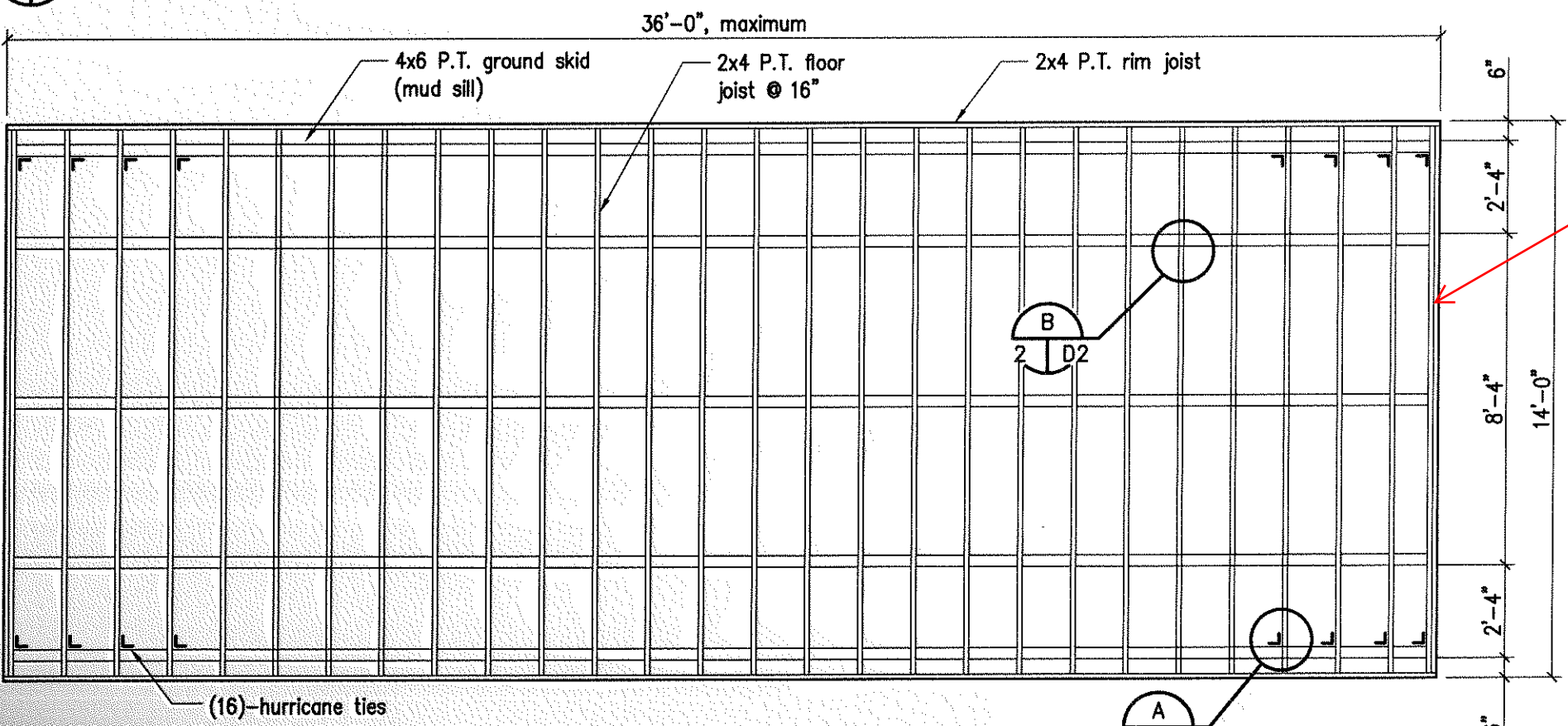
See notes about floor system framing requirements

GARPE Project #19009
Date: 04JUN19



Wall Framing Plan

(Wall_Framing_Pln) Scale: 1/4"=1'-0"



Floor Framing Plan

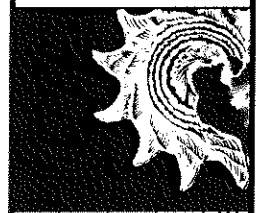
(Flr_Framing_Pln) Scale: 1/4"=1'-0"

For a clear span floor system as shown in the foundation drawing, a minimum of 2x10 floor joists at 16 inches on center must be used.

NORTH CAROLINA
PROFESSIONAL
SEAL
13779
ENGINEER
GREGORY A. ROBINSON
Greg Robinson
05JUN19

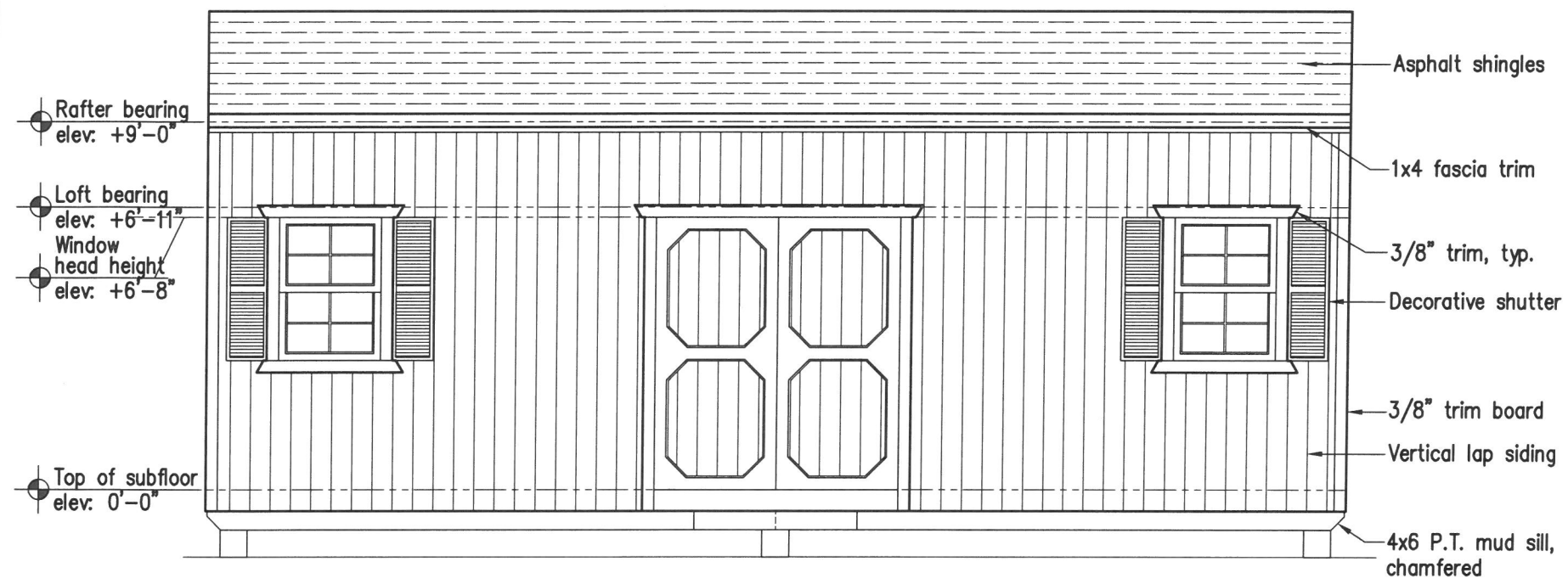
THE Shed Depot OF NORTH CAROLINA

GREG ROBINSON, P.E.
CONSULTING ENGINEER
6512 Six Forks Road, Suite 403A
Raleigh, North Carolina 27615
(919) 846-4752 (919) 847-0455 fax
greg@gar-pe.com

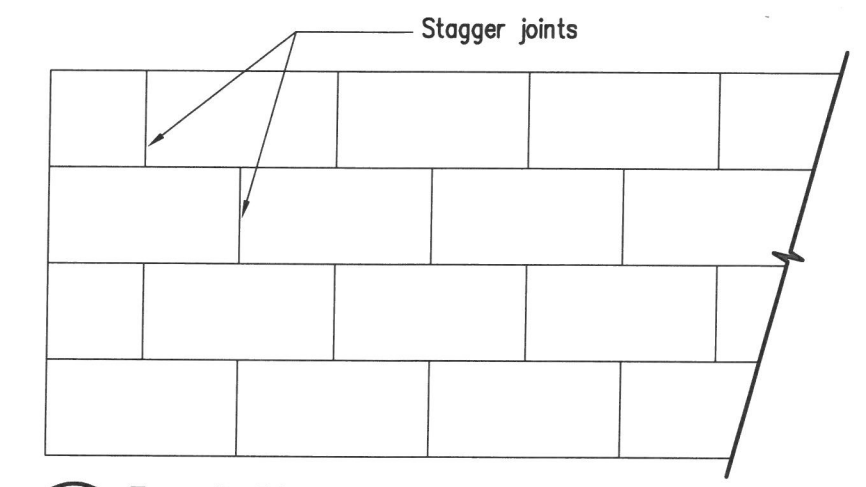


14' x 30' to 36' x 9' Storage Shed	
Drawn	GAR
Checked	GAR
Date	04JUN19
Rev	
Rev	
2	
2 of 6	

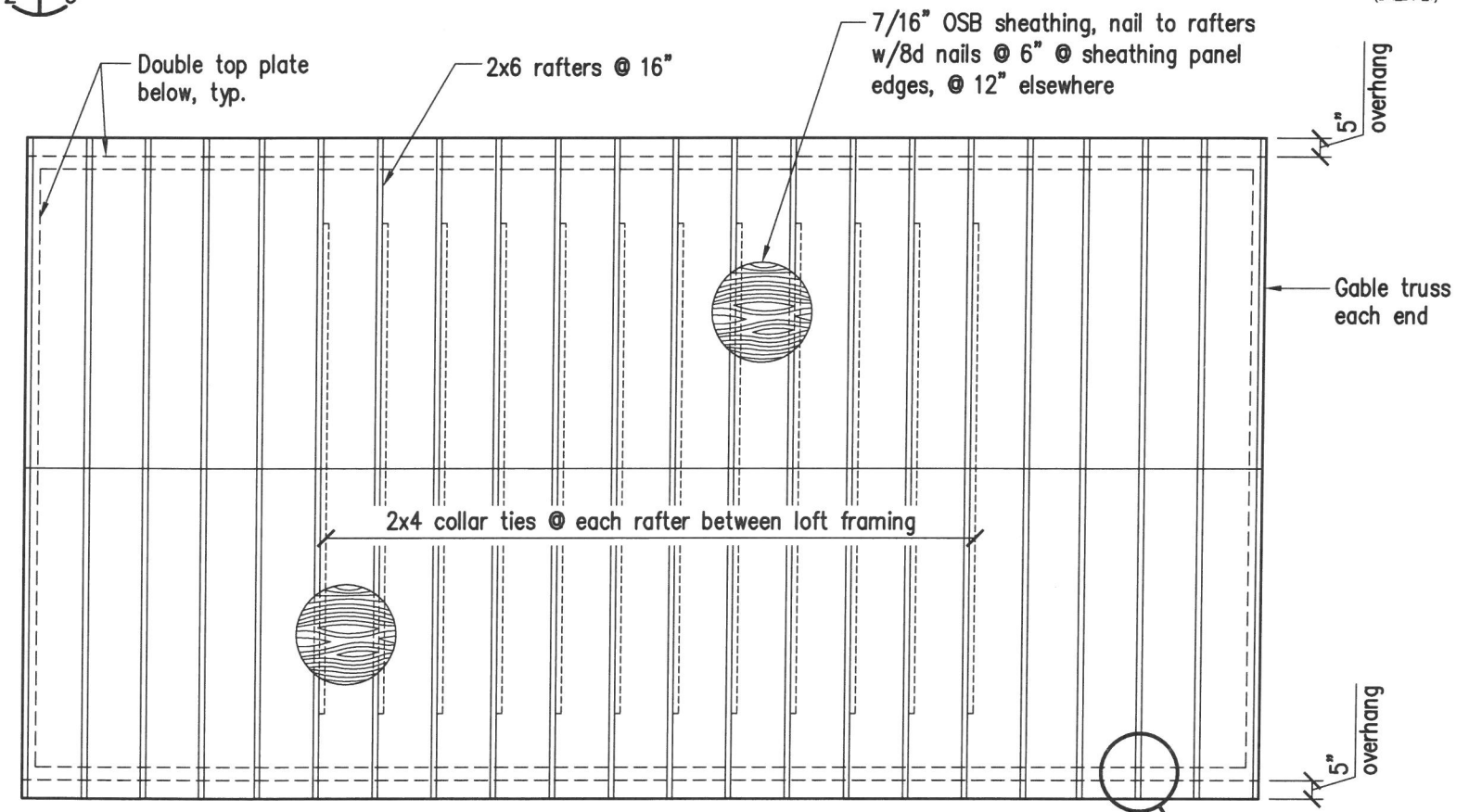
GARPE Job # 19009



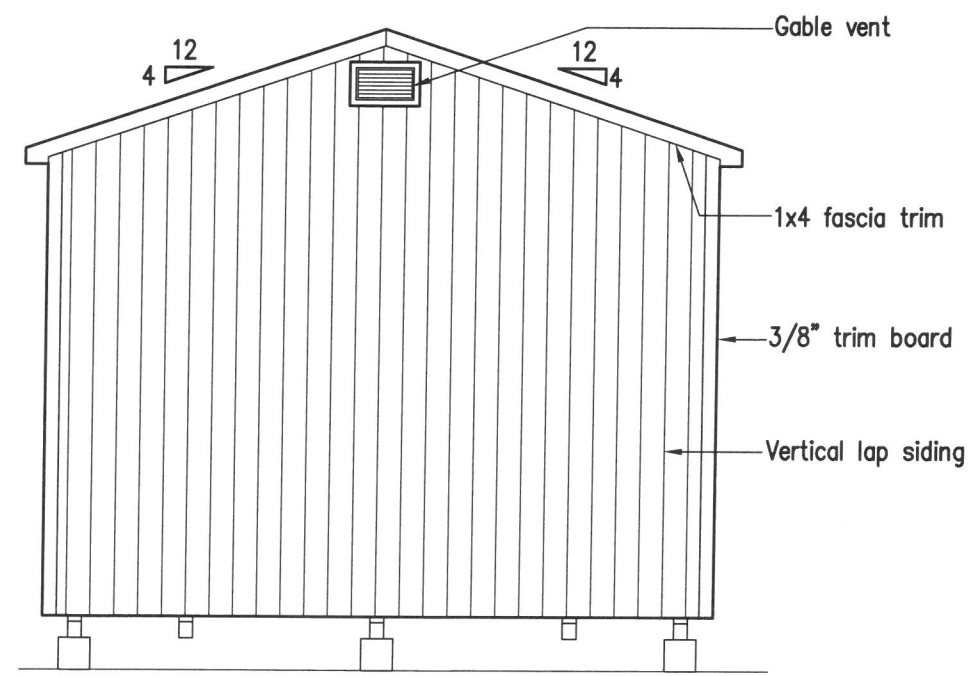
C
2 | 3
Exterior Elevation
(Ext_Elev_1) Scale: 1/4"=1'-0"



D
- | 3
Roof Sheathing Joint Pattern
(Sheathing_Joint_Pattern) Scale: N.T.S.



A
- | 3
Roof Framing Plan
(Roof_Framing_Pln) Scale: 1/4"=1'-0"



B
2 | 3
Exterior Elevation
(Ext_Elev_2) Scale: 1/4"=1'-0"

NORTH CAROLINA
PROFESSIONAL
SEAL
13779
ENGINEER
GREGORY A. ROBINSON
Greg Robinson
04JUN19

THE Shed Depot
OF NORTH CAROLINA

GREG ROBINSON, P.E.
CONSULTING ENGINEER
6512 Six Forks Road, Suite 403A
Raleigh, North Carolina 27615
(919) 846-4752 (919) 847-0455 fax
greg@gar-pe.com

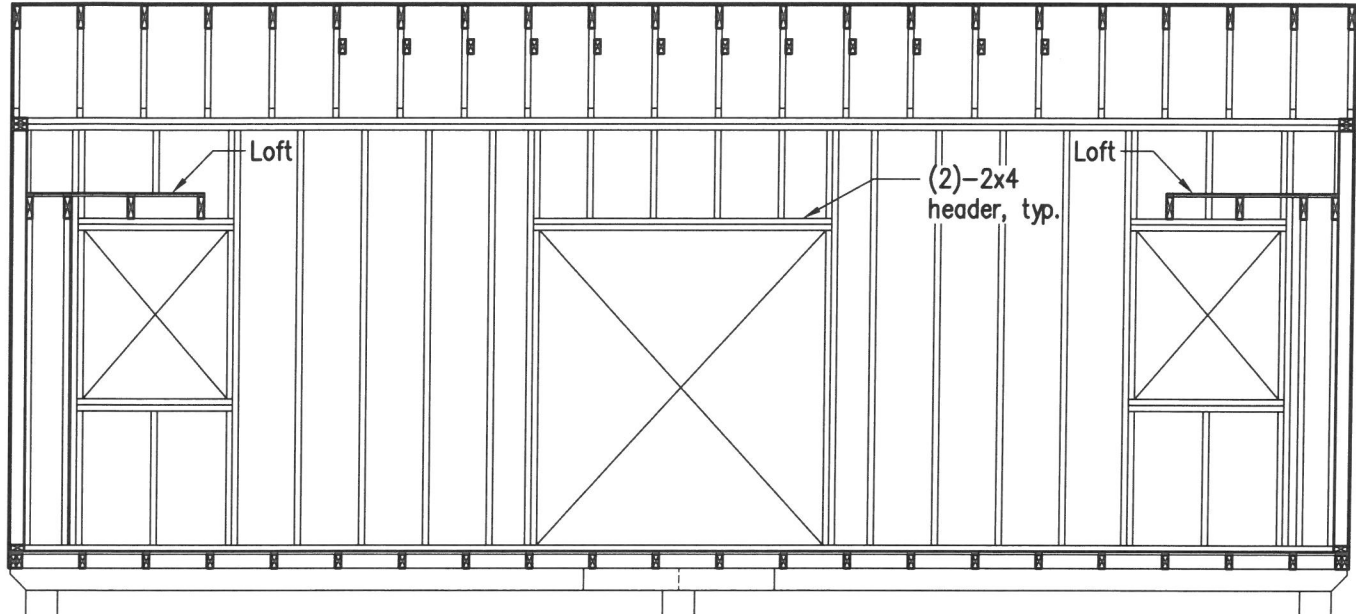


14' x 30' to 36' x 9' Storage Shed
GARPE Job # 19009

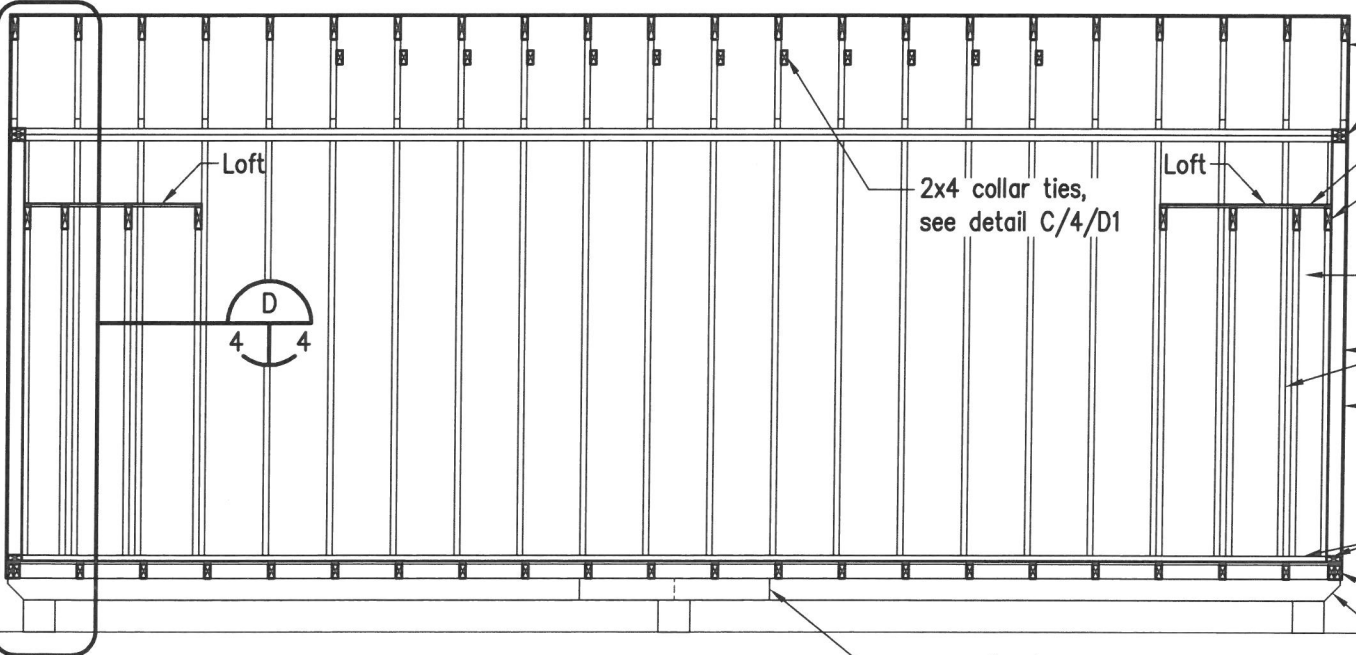
Drawn	GAR
Checked	GAR
Date	04JUN19
Rev	
Rev	



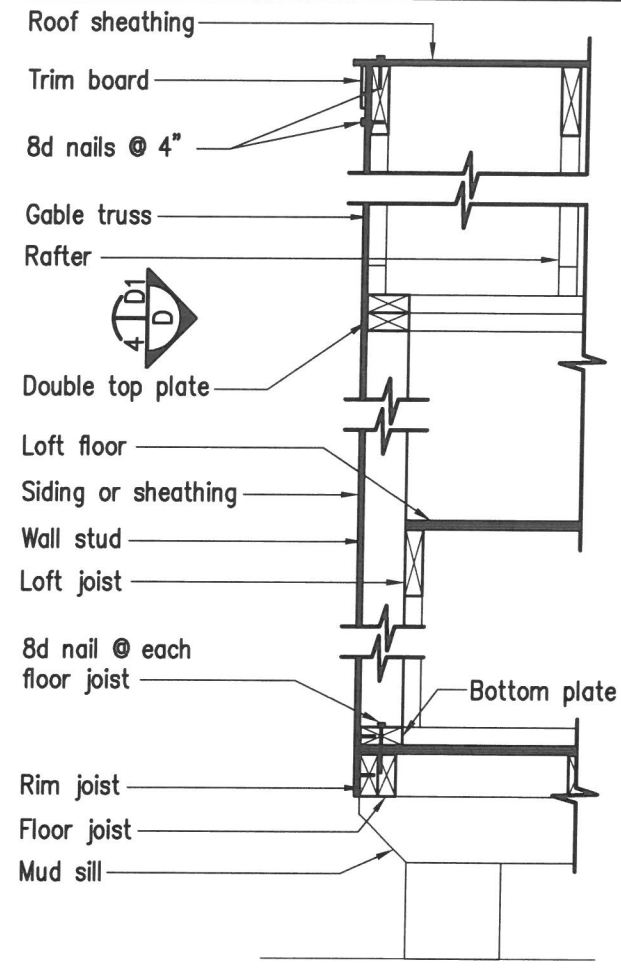
Greg
04 JUN 19



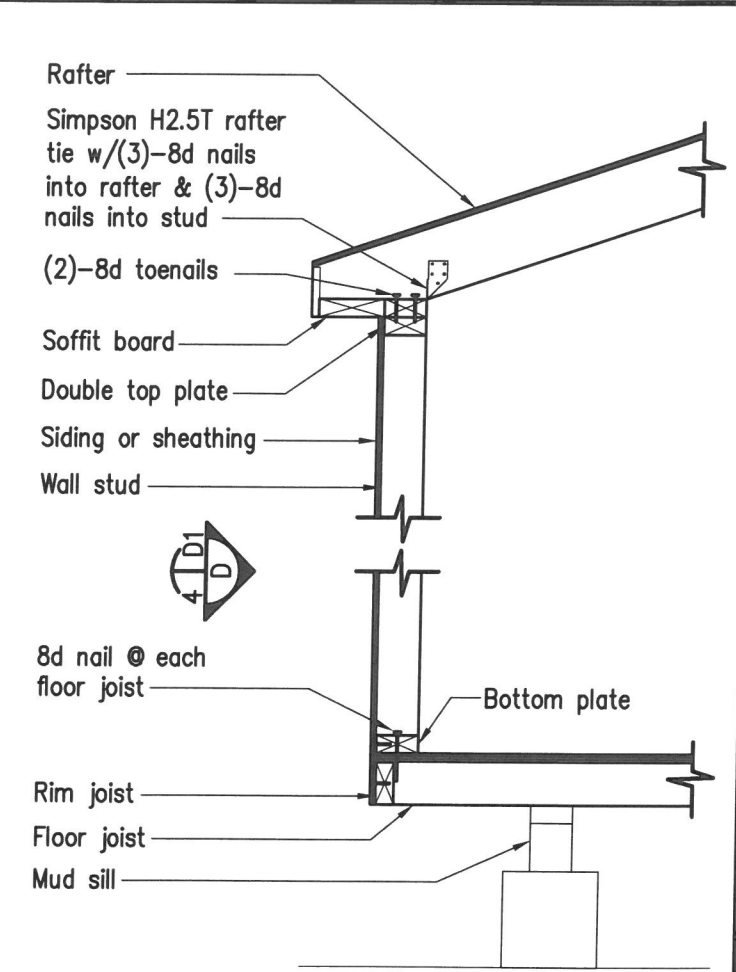
C Wall Framing Elevation
Scale: 1/4"=1'-0"



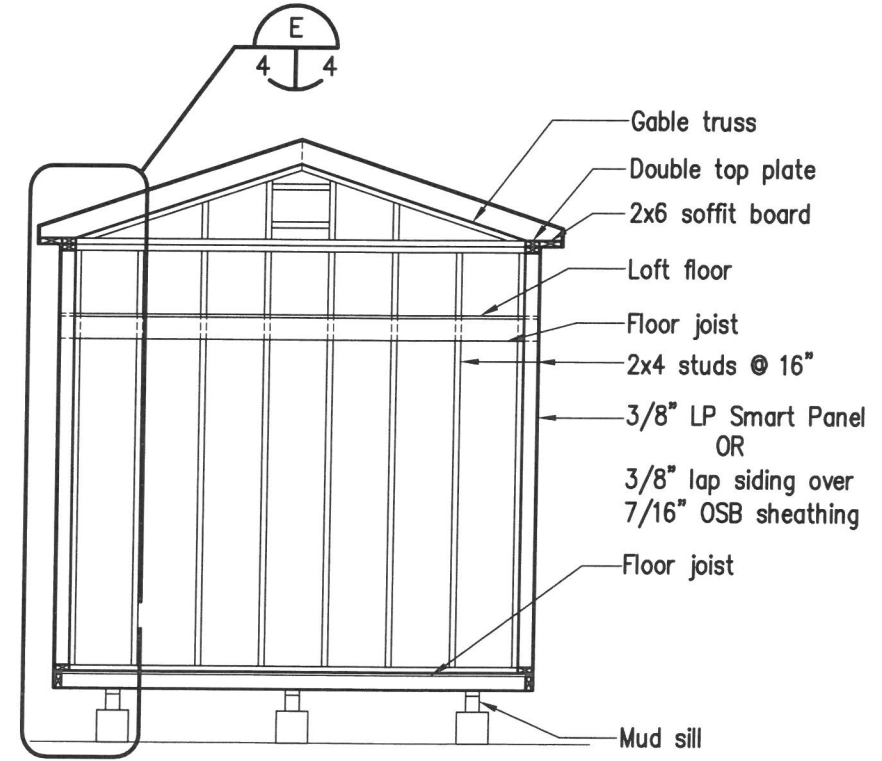
A Wall Framing Elevation
Scale: 1/4"=1'-0"



D Wall Section
Scale: 3/4"=1'-0"



E Wall Section
Scale: 3/4"=1'-0"



B Wall Framing Elevation
Scale: 1/4"=1'-0"

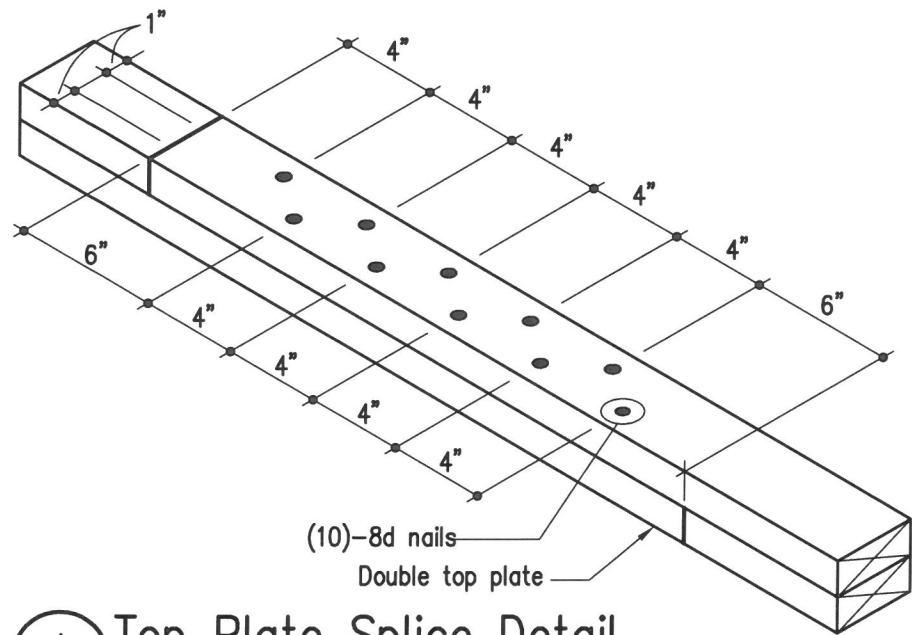


GREG ROBINSON, P.E.
CONSULTING ENGINEER
6512 Six Forks Road, Suite 403A
Raleigh, North Carolina 27615
(919) 846-4752 (919) 847-0455 fax
greg@gar-pe.com



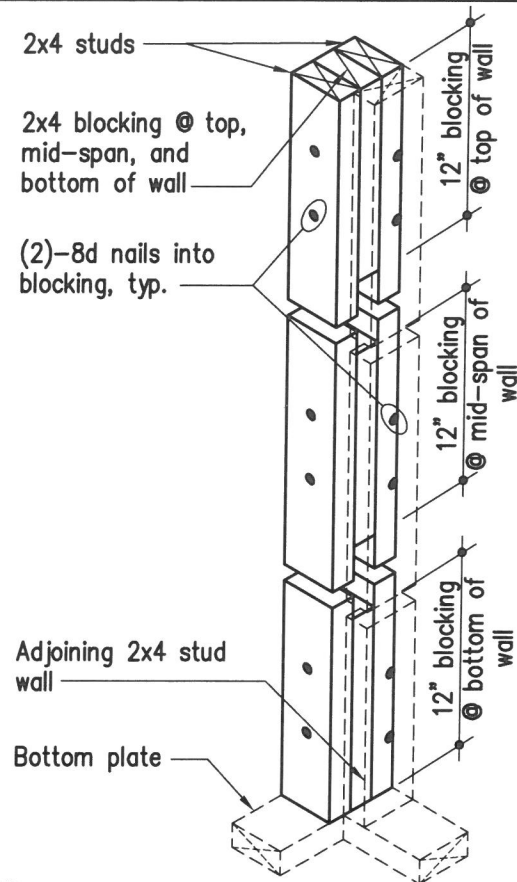
14' x 30' to 36' x 9' Storage Shed
GARPE Job # 19009

Drawn	GAR
Checked	GAR
Date	04JUN19
Rev	
Rev	



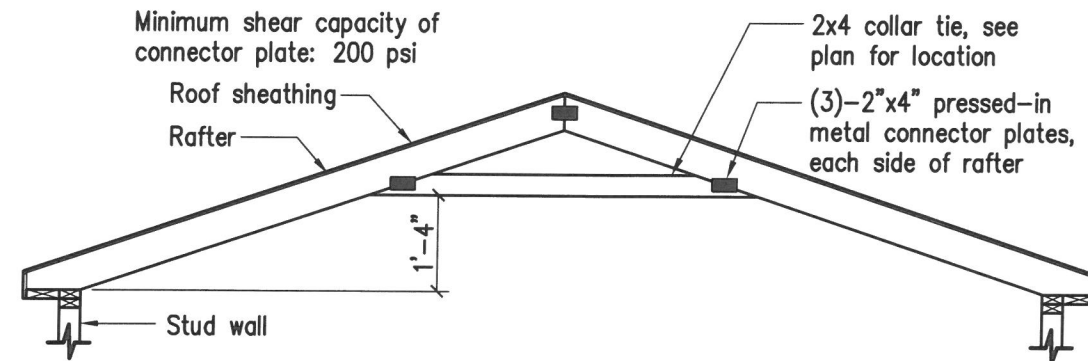
A Top Plate Splice Detail

3 | D1
(Top_Plate_Splice) Scale: 1 1/2"=1'-0"



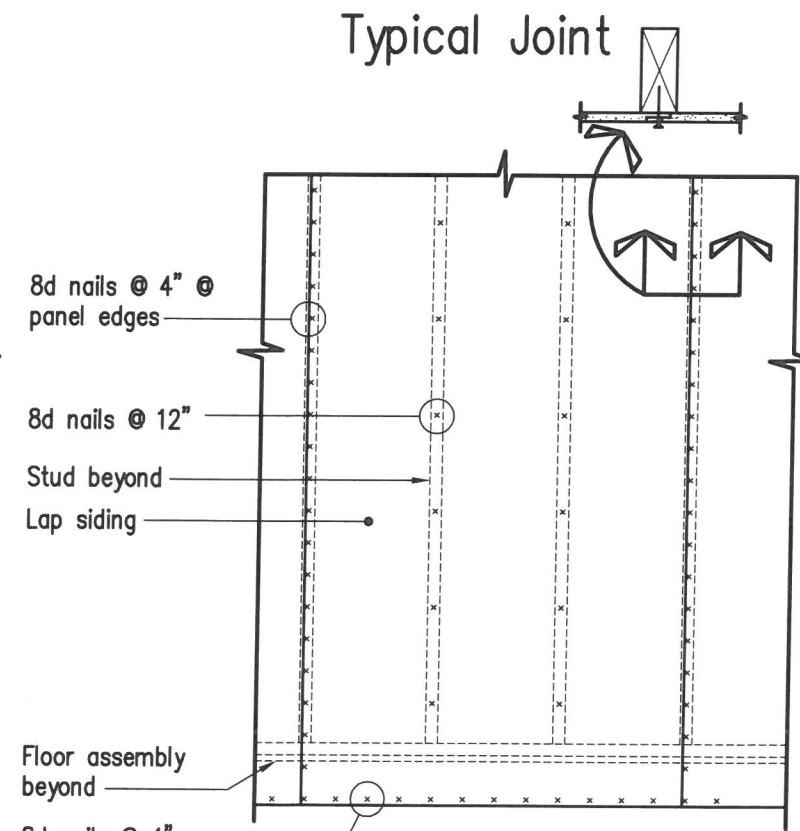
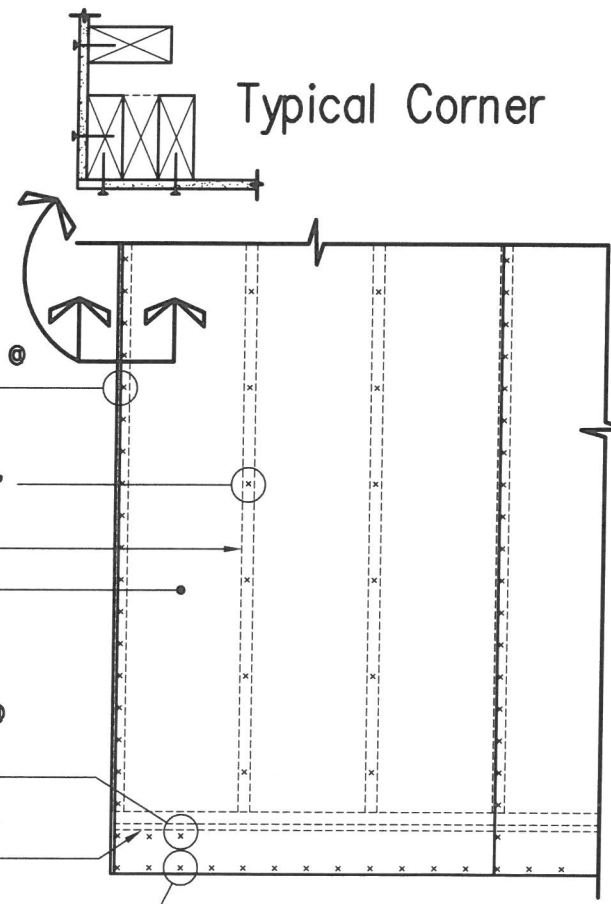
B Corner Framing Detail

4 | D1
(Corner_Detail) Scale: 1"=1'-0"



C Collar Tie Attachment Detail

1 | D1
(Collar_Tie) Scale: 3/8"=1'-0"



D Panel Nailing Patterns

4 | D1
(Nail_Pattern) Scale: 1/2"=1'-0"



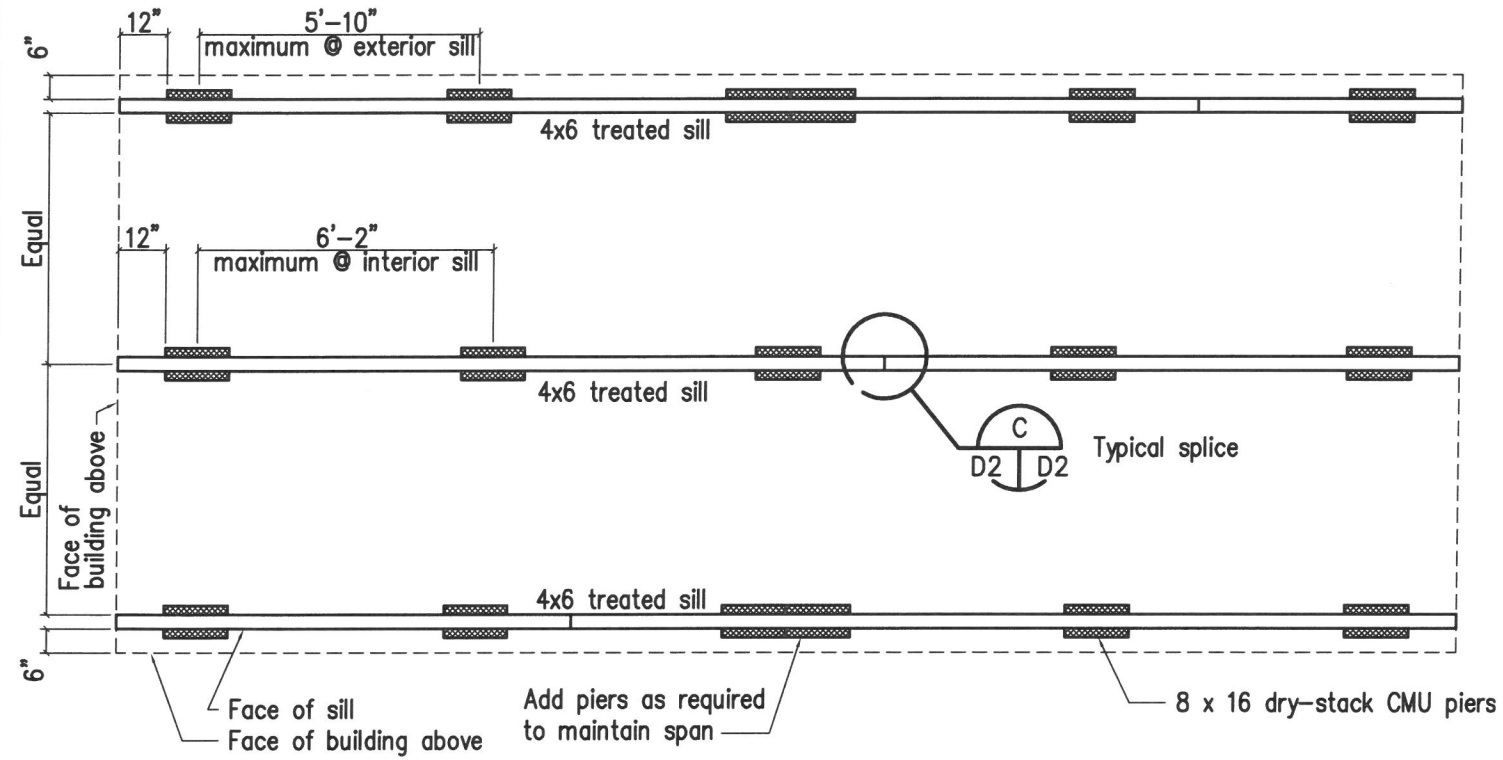
THE Shed Depot
OF NORTH CAROLINA

GREG ROBINSON, P.E.
CONSULTING ENGINEER
6512 Six Forks Road, Suite 403A
Raleigh, North Carolina 27615
(919) 846-4752 (919) 847-0455 fax
greg@gar-pe.com



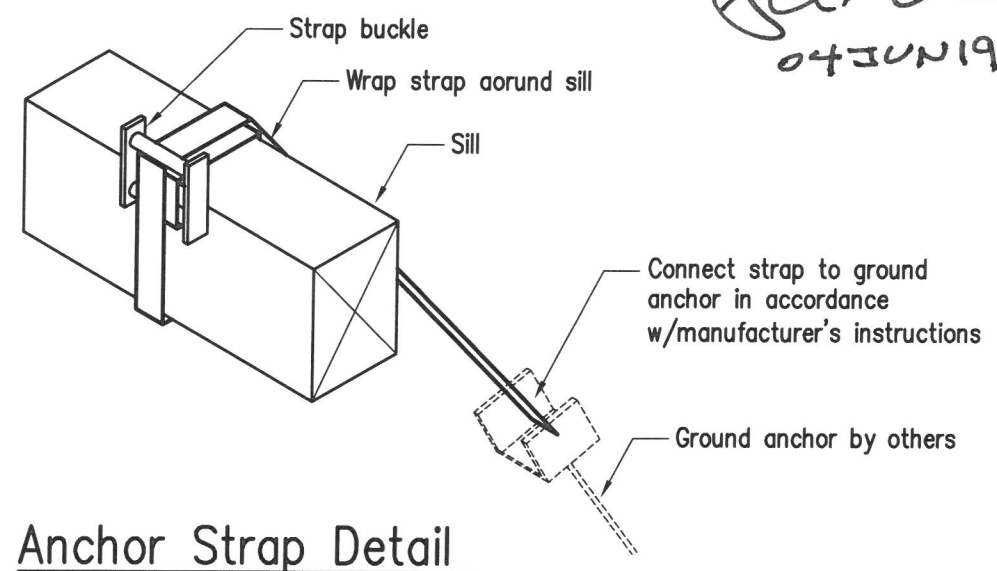
14' x 30' to 36' x 9' Storage Shed
GARPE Job # 19009

Drawn GAR
Checked GAR
Date 04JUN19
Rev
Rev



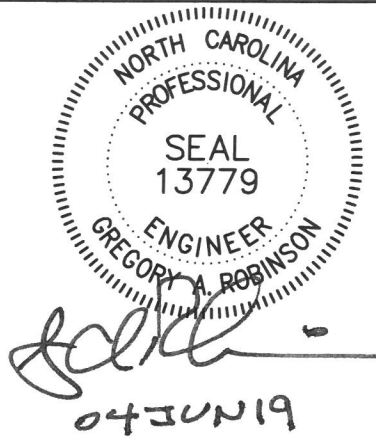
Floor Framing and Foundation Pier Plan, 14' x 36' (maximum)

(SILL) Scale: 1/4"=1'-0"

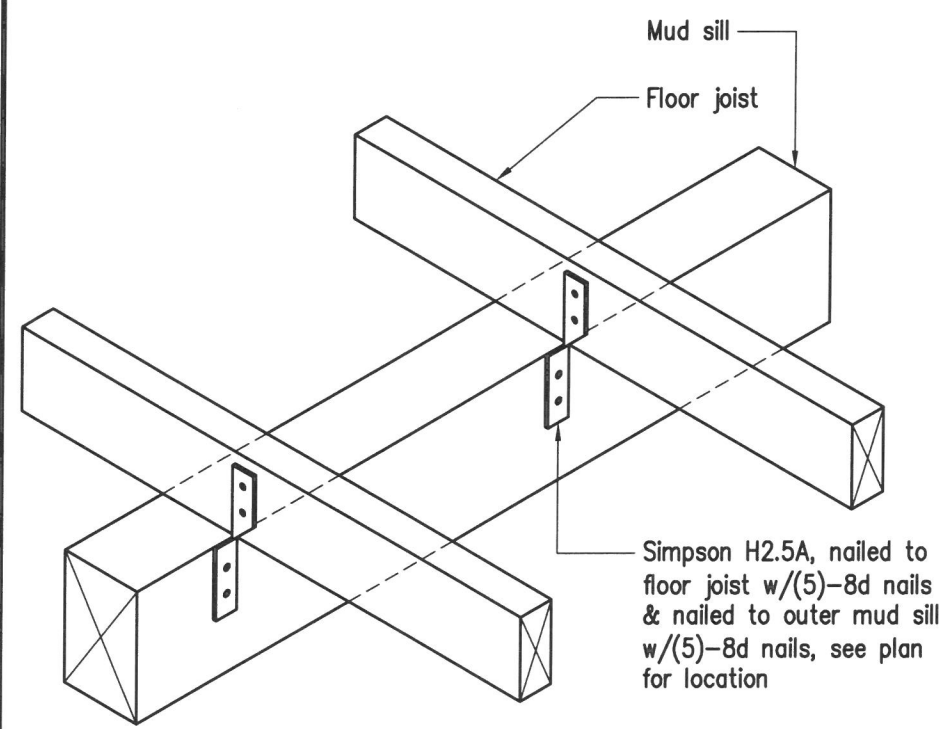


Anchor Strap Detail

(STRAP) Scale: 1 1/2"=1'-0"

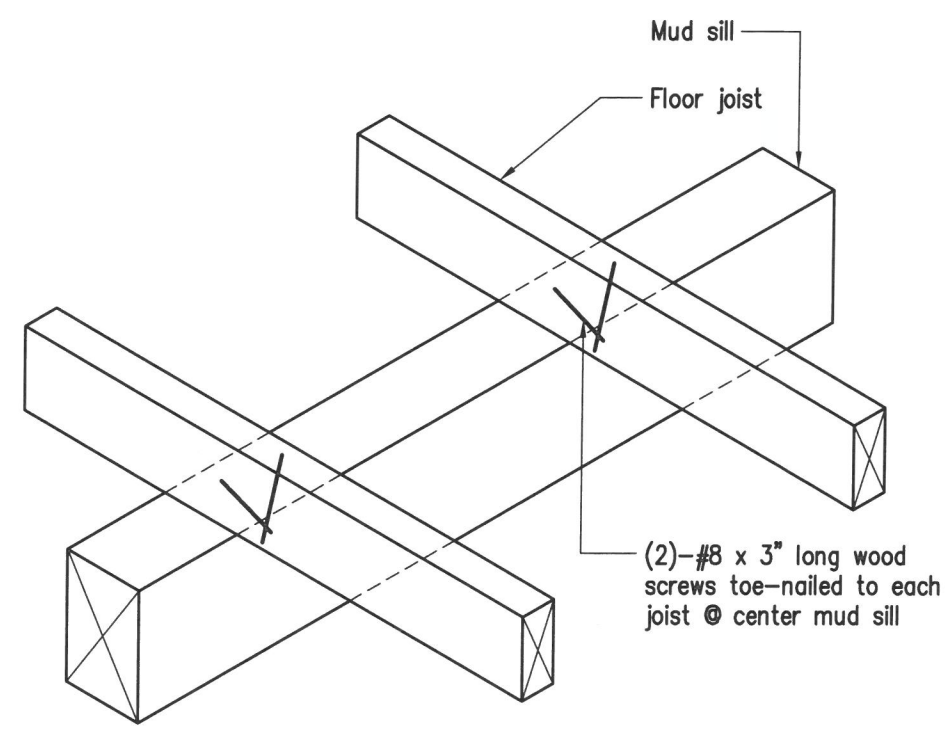


GREG ROBINSON, P.E.
CONSULTING ENGINEER
6512 Six Forks Road, Suite 403A
Raleigh, North Carolina 27615
(919) 846-4752 (919) 847-0455 fax
greg@gar-pe.com



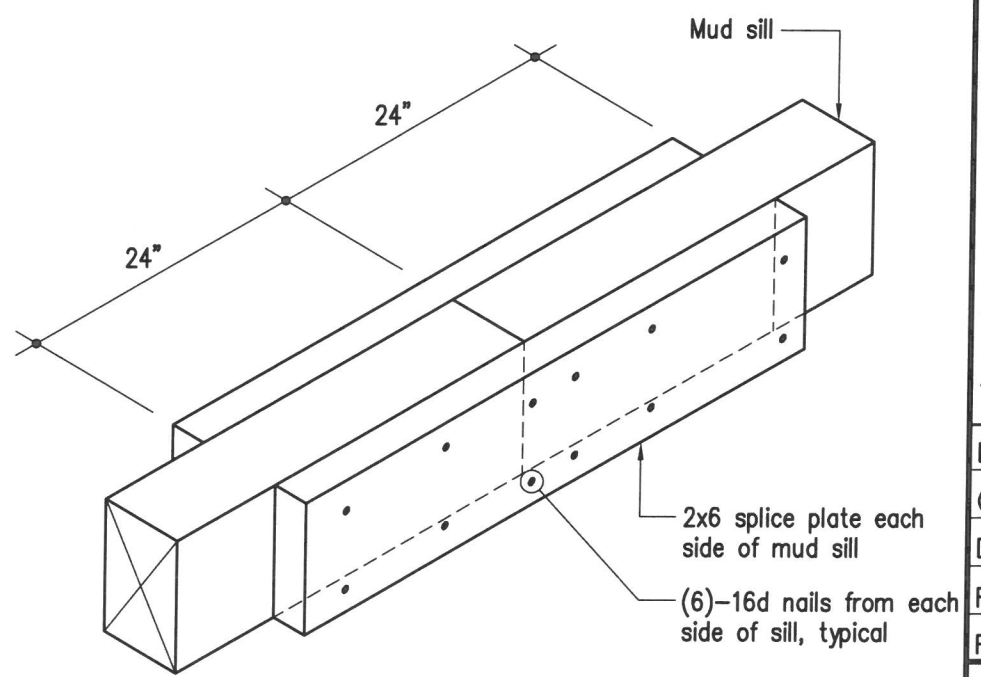
(A) Floor Joist to Outer Mud Sill Connection Detail

(Joist_Sill_Conn1) Scale: 1 1/2"=1'-0"



(B) Floor Joist to Inner Mud Sill Connection Detail

(Joist_Sill_Conn2) Scale: 1 1/2"=1'-0"



(C) Mud Sill Splice Detail

(Sill_Splice) Scale: 1 1/2"=1'-0"



14' x 30' to 36' x 9' Storage Shed
GARPE Job # 19009

Drawn	GAR
Checked	GAR
Date	04JUN19
Rev	
Rev	

Concrete Footing and Block Foundation Detail

