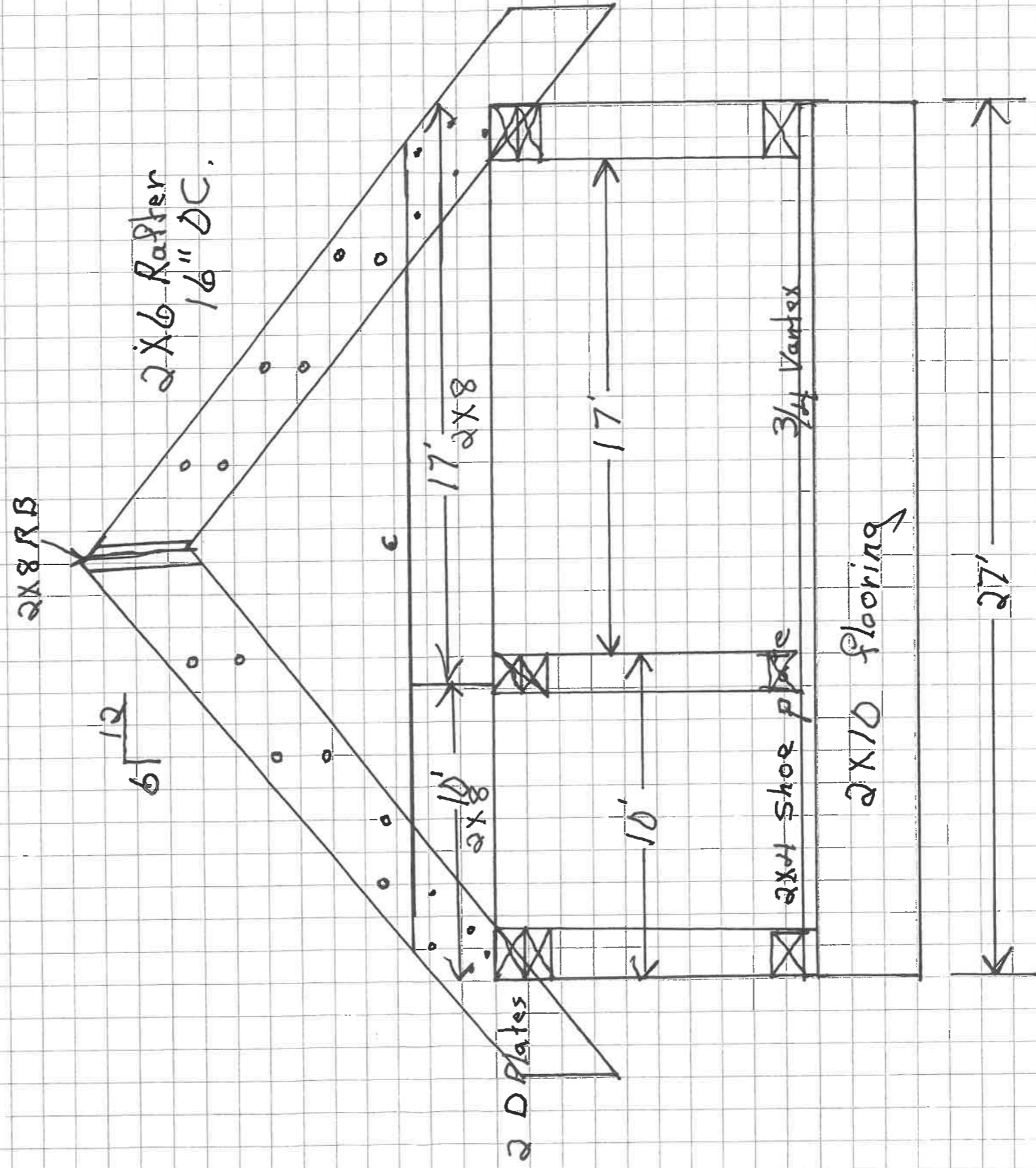
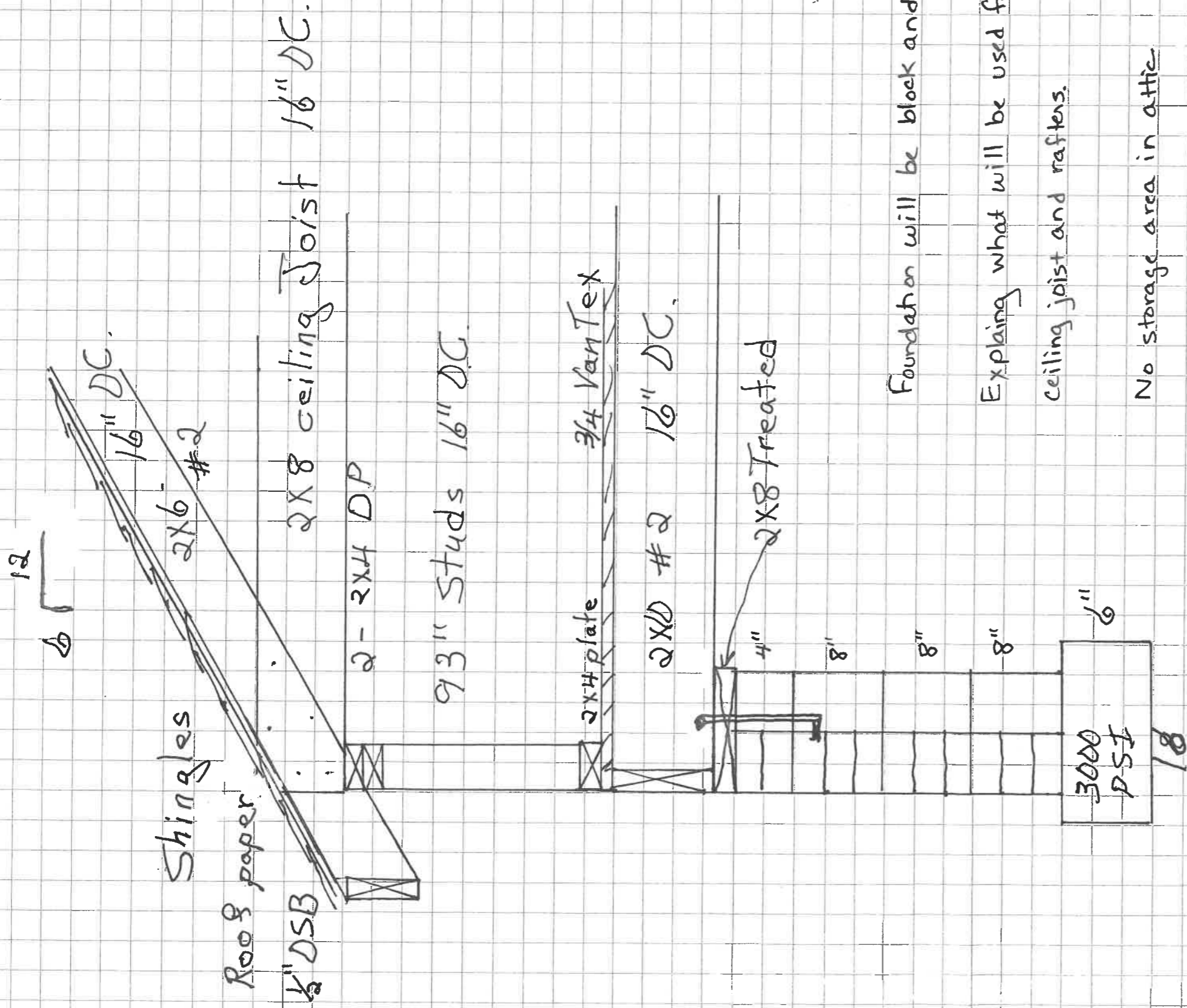


# Gable end view

- 1- Remove existing hardy board off gable & attach rafters to existing studs
- 2- Roof pitch is 6-12





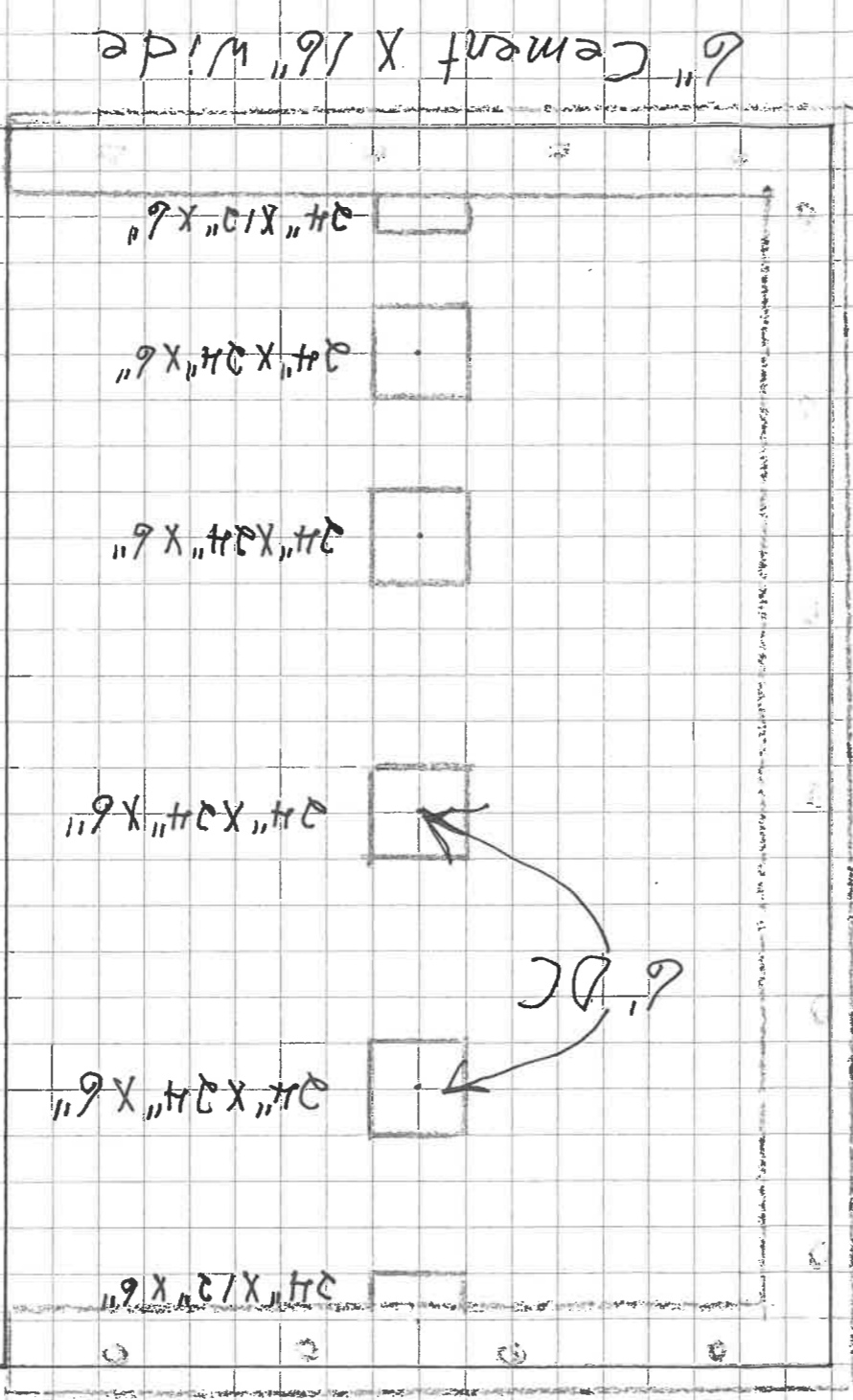
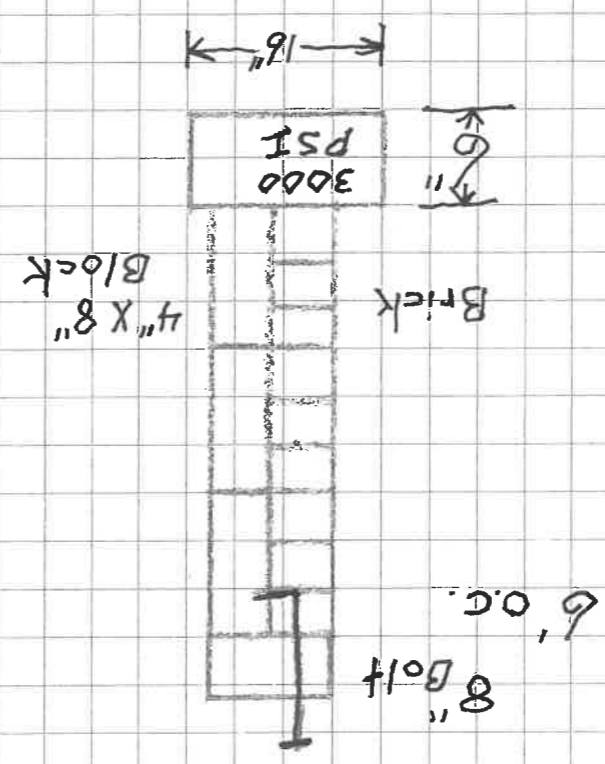
Foundation will be block and brick

Explaining what will be used for floor joist, ceiling joist and rafters.

No storage area in attic

Attic access will be in walk in closet

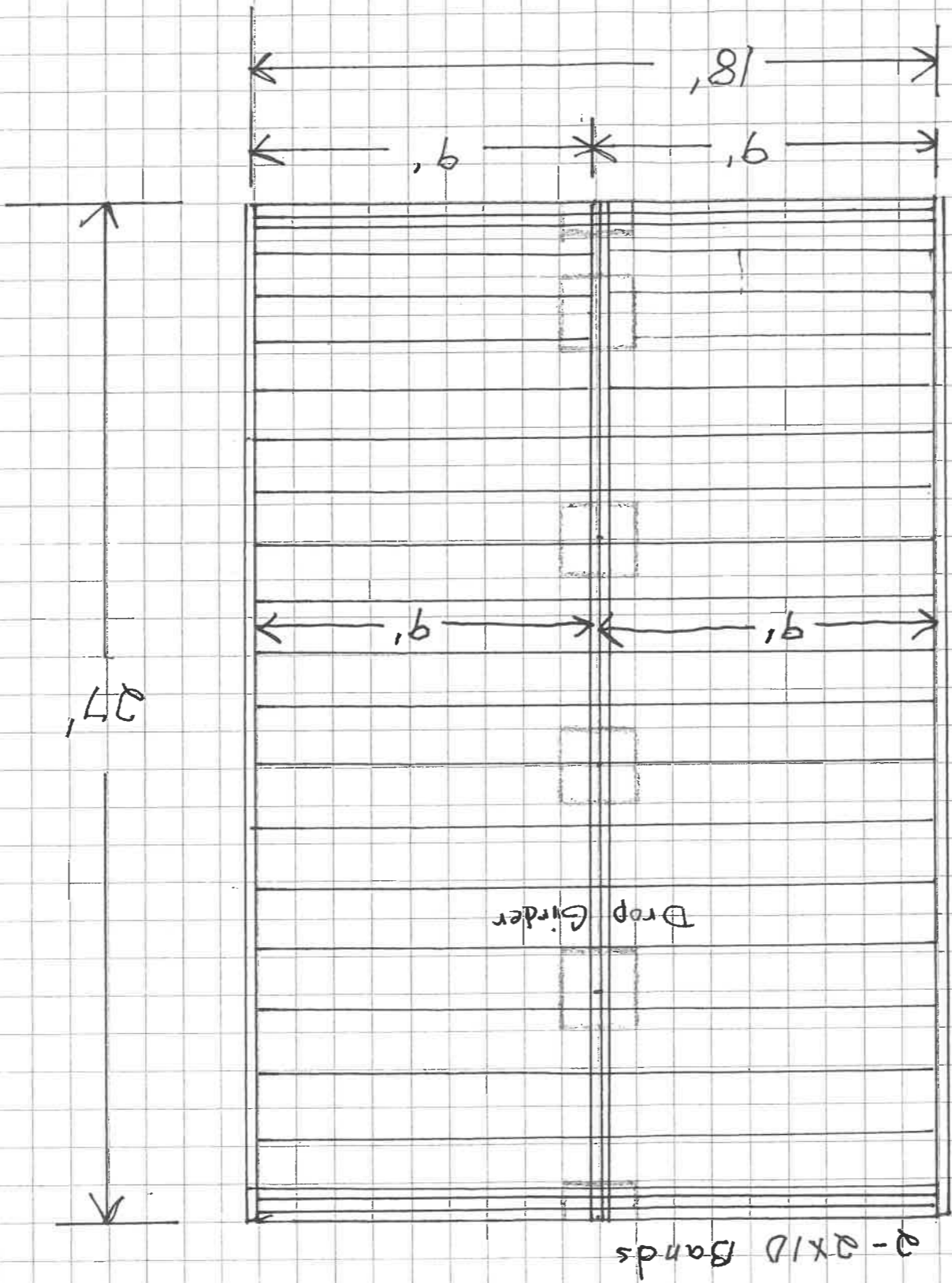
# Foundation View



Original Structure

This side of addition will be attached to existing band with ledger strip.

# Floor System Design



2-2x12  
Band

2x10 floor joist  
16" DC  
9' span

This side of addition  
will be attached to existing  
band with a ledger strip.