



JS CONSULTING & DESIGN  
ENGINEERING AND CONSULTING  
11703 DURANT XL  
RALEIGH, NC 27614  
P: (919) 324-2227  
F: (919) 324-2227

CERTIFICATE NUMBER: P-1513

Client:

Tarheel Metal Structures  
8314 US Hwy 220 Bus. North  
Randleman, NC 27317  
(o) 336-476-4955 (f) 336-476-4934

Project:

30'x48'x12'  
Jim Anglin  
1263 Cobb Rd  
Benson, NC 27504

Job No:

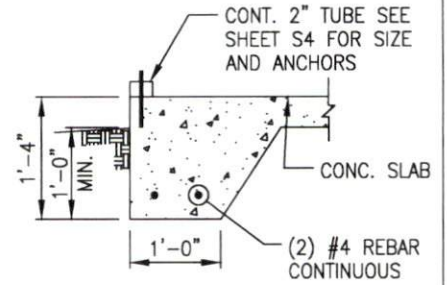
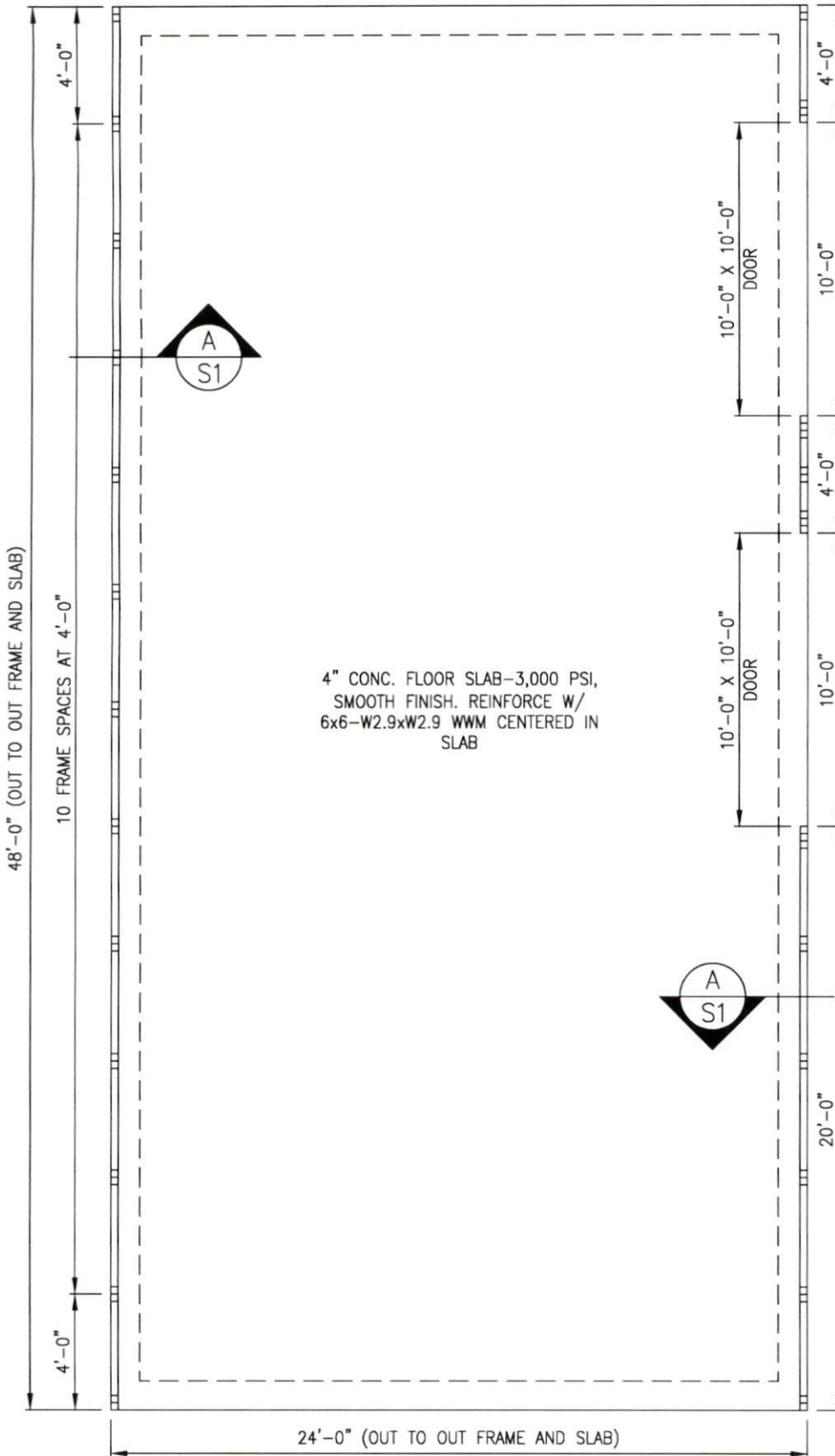
2201-436

Date:

09/28/22

Sheet:

S1



(A) SLAB TURN DOWN  
NOT TO SCALE

STRUCTURE IS DESIGNED AS  
RISK/USE CATEGORY 1 ONLY.  
AGRICULTURAL OR UNOCCUPIED  
STRUCTURE ONLY.

DRAINAGE NOTE:  
OWNER TO PROVIDE POSITIVE  
DRAINAGE AWAY FROM BLDG. PAD.

FOUNDATION PLAN  
NOT TO SCALE





JS CONSULTING & DESIGN  
ENGINEERING AND CONSULTING  
11703 DURANT RD  
RALEIGH, NC 27612  
P (771) 373-1033  
F (771) 324-3851

CERTIFICATE NUMBER: P-1513

Client:

Tarheel Metal Structures  
8314 US Hwy 220 Bus. North  
Randleman, NC 27317  
(o) 336-476-4955 (f) 336-476 4934

Project:

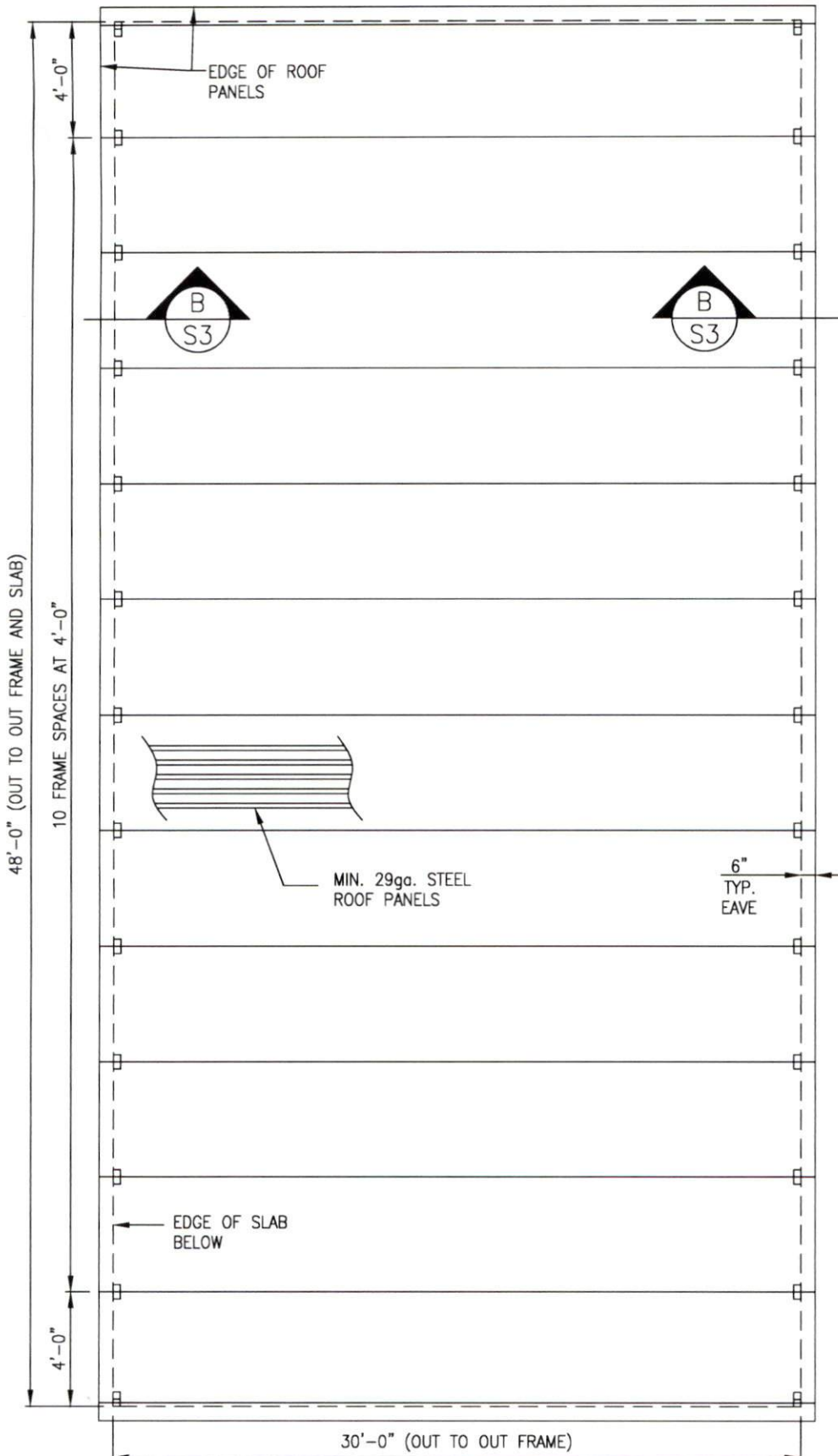
30'x48'x12'  
Jim Anglin  
1263 Cobb Rd  
Benson, NC 27504

Job No:  
2201-436

Date:  
09/28/22

Sheet:  
S2

STRUCTURE IS DESIGNED AS  
RISK/USE CATEGORY 1 ONLY.  
AGRICULTURAL OR UNOCCUPIED  
STRUCTURE ONLY.



FRAMING PLAN  
NOT TO SCALE



STRUCTURE IS DESIGNED AS RISK/USE CATEGORY 1 ONLY. AGRICULTURAL OR UNOCCUPIED STRUCTURE ONLY.



JSCONSULTING & DESIGN  
ENGINEERING AND CONSULTING  
11703 DURANT RD  
RALEIGH, NC 27614  
PHONE: 336-476-4934  
FAX: 336-476-4934

CERTIFICATE NUMBER: P-1513

Client:

Tarheel Metal Structures  
8314 US Hwy 220 Bus. North  
Randleman, NC 27317  
(0) 336-476-4955 (D) 336-476-4934

Project:

30'x48'x12'  
Jim Anglin  
1263 Cobb Rd  
Benson, NC 27504

Job No.:

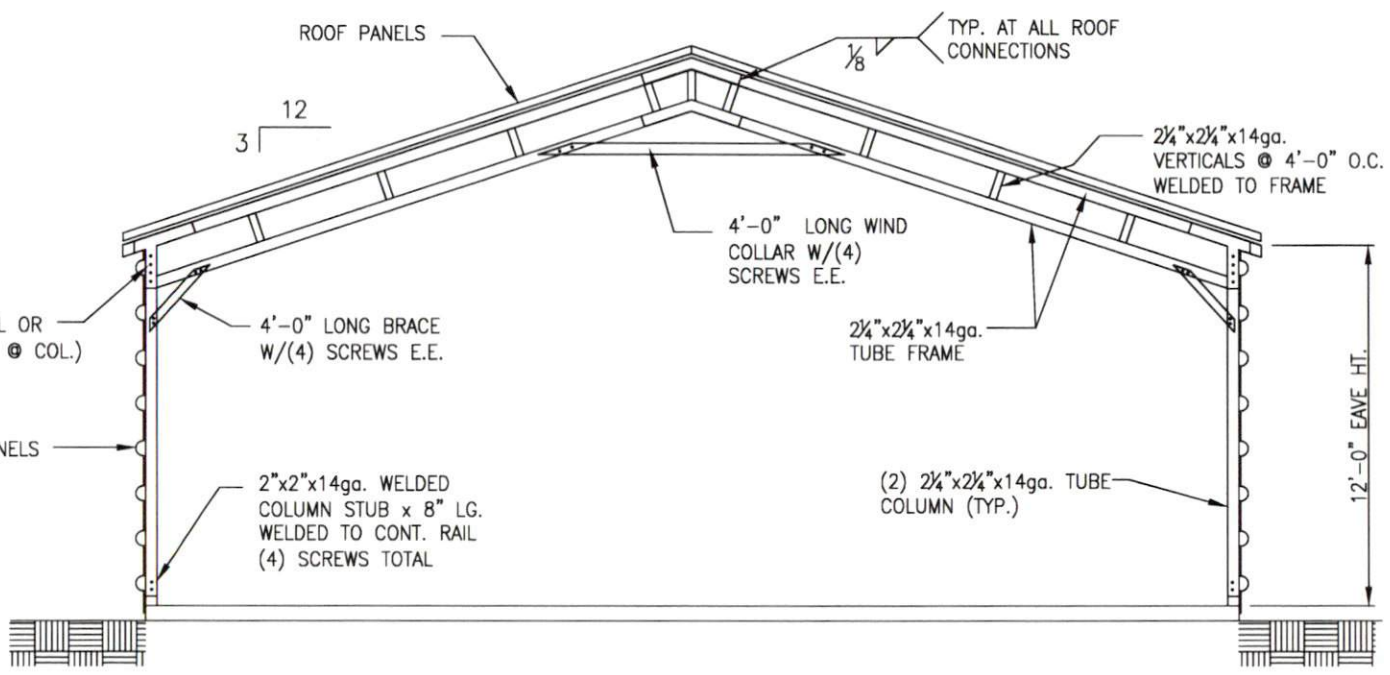
2201-436

Date:

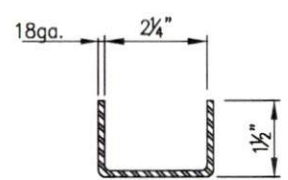
09/28/22

Sheet:

S3



TYPICAL CROSS SECTION B-B  
NOT TO SCALE



TYP. WIND COLLAR/BRACE  
NOT TO SCALE

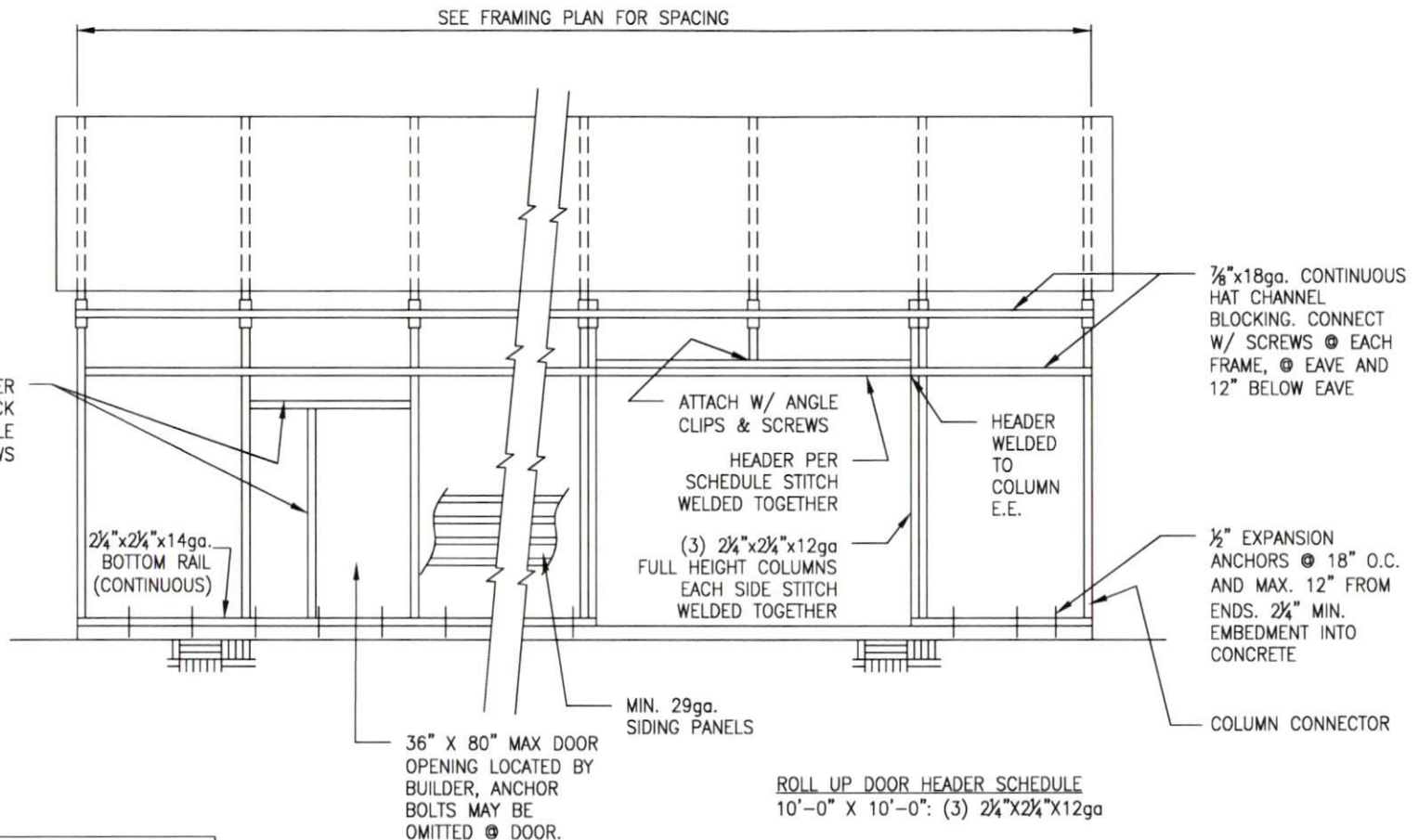
**GABLE END WALL FRAMING**  
GABLE END WALLS SHALL BE FRAMED @ 4' O.C. USING 2 1/4\"/>





STRUCTURE IS DESIGNED AS RISK/USE CATEGORY 1 ONLY. AGRICULTURAL OR UNOCCUPIED STRUCTURE ONLY.

**J.S. CONSULTING & DESIGN**  
 ENGINEERING AND CONSULTING  
 11703 DURHAM, NC 27703  
 RALEIGH, NC 27604  
 919.286.1444  
 919.286.1445  
 919.286.1446  
 919.286.1447  
 919.286.1448  
 919.286.1449  
 919.286.1450  
 919.286.1451  
 919.286.1452  
 919.286.1453  
 919.286.1454  
 919.286.1455  
 919.286.1456  
 919.286.1457  
 919.286.1458  
 919.286.1459  
 919.286.1460  
 919.286.1461  
 919.286.1462  
 919.286.1463  
 919.286.1464  
 919.286.1465  
 919.286.1466  
 919.286.1467  
 919.286.1468  
 919.286.1469  
 919.286.1470  
 919.286.1471  
 919.286.1472  
 919.286.1473  
 919.286.1474  
 919.286.1475  
 919.286.1476  
 919.286.1477  
 919.286.1478  
 919.286.1479  
 919.286.1480  
 919.286.1481  
 919.286.1482  
 919.286.1483  
 919.286.1484  
 919.286.1485  
 919.286.1486  
 919.286.1487  
 919.286.1488  
 919.286.1489  
 919.286.1490  
 919.286.1491  
 919.286.1492  
 919.286.1493  
 919.286.1494  
 919.286.1495  
 919.286.1496  
 919.286.1497  
 919.286.1498  
 919.286.1499  
 919.286.1500



**Client:**  
 Tarheel Metal Structures  
 8314 US Hwy 220 Bus. North  
 Randleman, NC 27317  
 (0) 336-476-4955 (D) 336-476-4934

**Project:**  
 30' x 48' x 12'  
 Jim Anglin  
 1263 Cobb Rd  
 Benson, NC 27504

**Job No.:**  
 2201-436  
**Date:**  
 09/28/22  
**Sheet:**  
 S4

SIDE ELEVATION  
 NOT TO SCALE

ROOF & WALL PURLINS NOT SHOWN FOR CLARITY. 7/8" x 18ga. CONTINUOUS HAT CHANNEL BLOCKING. CONNECT W/ SCREWS @ EACH FRAME, @ EAVE, RIDGE, AND 4' O.C. MAX. ALONG ROOF & WALLS.

**DOOR OPENING NOTE:**  
 FOR DOORS PLACED IN GABLE END WALLS ONLY. EXACT LOCATION TO BE DETERMINED BY BUILDER. MINIMUM HEADER SIZE (2) 2-1/4" 14ga SQUARE TUBES ATTACHED TOGETHER W/ CLIPS AND SCREWS @ 1'-0" O.C. MINIMUM (1) 2-1/4" KING STUD EACH SIDE. ATTACH USING ANGLE CLIPS AND SCREWS





JS CONSULTING & DESIGN  
ENGINEERING AND CONSULTING  
11708 DURANT RD  
RALEIGH, NC 27614  
P (919) 873-1383  
F (919) 324-3681

CERTIFICATE NUMBER: P-1513

Client:

Tarheel Metal Structures  
8314 US Hwy 220 Bus. North  
Randleman, NC 27317  
(o) 336-476-4955 (f) 336-476 4934

Project:

30'x48'x12'  
Jim Anglin  
1263 Cobb Rd  
Benson, NC 27504

Job No:  
2201-436

Date:  
09/28/22  
Sheet:  
S5

NOTES

DESIGN CRITERIA

1. BUILDING CODE.....2018 NORTH CAROLINA BUILDING CODE
2. IMPORTANCE FACTORS SNOW (Is) 0.80  
SEISMIC (Iw) 1.0
3. GROUND SNOW LOAD.....10 PSF
4. ROOF LL.....5 PSF (NO FOOT TRAFFIC)
5. FLOOR LL.....40 PSF (UNOCCUPIED STORAGE ONLY)
6. WIND
  - A) ULTIMATE WIND SPEED (IBC) .....120 MPH
  - B) NOMINAL WIND SPEED (ASCE 7-10) .....93 MPH
  - C) WIND HAZARD EXPOSURE CATEGORY.....B
  - D) WIND BASE SHEARS (for MWFRS) Vx = 2.4 k Vy = 2.4 k (PER FRAME)
7. SEISMIC
  - A) SEISMIC DESIGN CATEGORY A  
COMPLIANCE WITH SECTION 1616.4 ONLY? \_\_\_YES \_\_\_X NO
  - B) SEISMIC DESIGN CATEGORY \_\_\_B \_\_\_C \_\_\_X D

SEISMIC USE GROUP 1  
SPECTRAL RESPONSE ACCELERATION Ss 19.6 %g S1 7.3 %g  
SITE CLASSIFICATION D \_\_\_FIELD TEST \_\_\_X PRESUMPTIVE \_\_\_HISTORICAL DATA  
BASIC STRUCTURAL SYSTEM (CHECK ONE)  
\_\_\_ BEARING WALL \_\_\_ DUAL W/SPECIAL MOMENT FRAME  
\_\_\_ BUILDING FRAME \_\_\_ DUAL W/INTERMEDIATE R/C OR SPECIAL STEEL  
\_\_\_ X MOMENT FRAME \_\_\_ INVERTED PENDULUM  
SEISMIC BASE SHEAR Vx = 0.5 k Vy = 0.5 k (PER FRAME)

ANALYSIS PROCEDURE \_\_\_X SIMPLIFIED \_\_\_EQUIVALENT LATERAL FORCE \_\_\_MODAL  
ARCHITECTURAL, MECHANICAL, COMPONENTS ANCHORED? \_\_\_NO  
LATERAL DESIGN CONTROL: EARTHQUAKE \_\_\_ WIND X

OTHER NOTES

1. PRESUMPTIVE SOIL PRESSURE = 1,500 PSF.
2. WHERE A DETAIL IS SHOWN ON STRUCTURAL DRAWINGS FOR ONE CONDITION, IT SHALL APPLY TO ALL SIMILAR OR LIKE CONDITIONS, UNLESS NOTED OR SHOWN OTHERWISE.
3. IF CONTRACTOR FINDS A DIFFERENCE BETWEEN THESE DRAWINGS AND EXISTING ELEVATIONS, OR OTHER CONDITIONS WHICH PROHIBIT EXECUTION OF THE WORK AS DIRECTED ON THESE DRAWINGS, CONTRACTOR SHALL NOTIFY ENGINEER IMMEDIATELY.
4. ALL ITEMS SHALL BE TIGHTLY ANCHORED OR ATTACHED SQUARE, PLUMB AND TRUE, OR IN OTHER PLANES OR SHAPES AS SHOWN ON THE DRAWINGS. JOINTS SHALL BE TIGHT, EVEN, AND FREE OF OFFSETS. NO FIELD ALTERING OF ANY MEMBERS WILL BE ALLOWED THAT WILL CAUSE THEM NOT TO BE IN ACCORDANCE WITH THE DRAWINGS AND THEM NOT TO BE IN ACCORDANCE WITH THE DRAWINGS AND SPECIFICATIONS, WITHOUT WRITTEN APPROVAL OF THE DESIGN ENGINEER.
5. GENERAL CONTRACTOR IS RESPONSIBLE TO PROVIDE ADEQUATE SHORING, BRACING OR SUPPORT TO PREVENT MOVEMENT, SETTLEMENT, OR DAMAGE TO THE STRUCTURE DURING CONSTRUCTION PROCEDURES ASSOCIATED WITH THIS PROJECT.
6. CONCRETE: CONCRETE MINIMUM COMPRESSIVE STRENGTH AT 28 DAYS SHALL BE 3000 PSI.
7. CONCRETE WORK SHALL COMPLY WITH ACI "SPECIFICATIONS FOR STRUCTURAL CONCRETE FOR BUILDING (ACI 301) AND APPLICABLE PROVISIONS OF ACI 318. KEEP A COPY OF ACI FIELD REFERENCE MANUAL (ACI-SP-15) WHICH INCLUDES ACI 301 AND OTHER ACI AND ASTM REFERENCES ON THE JOB.
8. ALL FOOTING FOUNDATIONS SHALL BE PLACED ON COMPETENT SOIL.
9. FIBER MESH MAY BE SUBSTITUTED FOR WWM PER MANUFACTURER'S RECOMMENDATIONS.
10. REINFORCING STEEL: ASTM A615, GRADE 60. PROVIDE 3" CLEARANCE TO EARTH SURFACES. LAP BARS 30 DIAMETERS.
11. ALL GALVANIZING SHALL BE PERFORMED AFTER FABRICATION, AND IN ACCORDANCE WITH ASTM A123 AND/OR A153.
12. THE MINIMUM YIELD STRENGTH OF THE STEEL USED IN THE LIGHT GAUGE METAL FRAMES SHALL BE 55,000 PSI, FOR RAW OR GALVANIZED TUBES.
13. THE MINIMUM YIELD STRENGTH OF THE STEEL USED FOR THE LIGHT GAUGE METAL DECK SHALL BE 80,000 PSI, DECKING PANELS SHALL COVER THREE SPANS, MINIMUM.
14. THE LIGHT GAUGE METAL FRAMES AND DECK SHALL BE OF THE GAUGE INDICATED ON THE PLAN/DETAILS.
15. ALL SCREWS FOR ASSEMBLING FRAMES SHALL BE #12 SIZE.
16. ALL WELDING SHALL BE IN ACCORDANCE WITH AWS D1.1.
17. ALL WELDS SHALL BE COATED WITH GALVANIZE PRIMER & PAINT AFTER WELDING.

