

GENERAL NOTES - MATERIAL SPECIFICATIONS

BUILDING CODES

1. ALL WORK SHALL BE CONSTRUCTED IN CONFORMANCE WITH THE NORTH CAROLINA STATE BUILDING CODE; RESIDENTIAL CODE (2018 IRC WITH NORTH CAROLINA AMENDMENTS) 2018 EDITION, PLUS LOCAL CODES AND REGULATIONS (NCRC). SPECIFIC CODE REFERENCE IS APPENDIX H, PATIO COVERS. WORK NOT DETAILED SHALL COMPLY WITH THE REQUIREMENTS OF THE NCRC.

STRENGTH OF MATERIALS

1. CONCRETE (STANDARD STONE AGGREGATE)
FOUNDATION & SLAB ON GRADE $f'c = 3000$ psi @ 28 DAYS
2. REINFORCED STEEL DEFORMED BARS ASTM A615 GRADE 60
3. ALUMINUM COMPONENTS
 - a. COMPOSITE PANELS ALUMINUM ALLOY 3105 H14/H25
 - B. BEAMS ALUMINUM ALLOY 6063-T6
 - a. ROOF PANELS MINIMUM CORE MATERIAL 1.0 # DENSITY EXPANDED POLY-STYRENE
 - b. ALL FASTENERS MUST BE SUITABLY COATED, TREATED OR STAINLESS STEEL
 - c. MINIMUM SPACING FOR FASTENERS SHALL BE FOUR TIMES THE NOMINAL FASTENERS DIAMETER AND FASTENERS SHALL NOT BE PLACED WITHIN FOUR FASTENERS DIAMETER OF ALL EDGE.

THERMAL BARRIER REQUIREMENTS

1. FOAM CORE COMPOSITE PANELS WHEN USED IN THE CONSTRUCTION OF A DWELLING OR AN ADDITION WHICH IS OPEN TO AN EXISTING DWELLING (NO DOORS) SHALL BE SEPARATED FROM THE INTERIOR OF THE DWELLING WITH AN APPROVED THERMAL BARRIER OF $\frac{1}{2}$ " GYPSUM WALL BOARD OR EQUIVALENT.

GLASS ROOMS

1. REFER TO SUPPLIED DESIGN INFORMATION ON EXTRUSIONS, PANEL, CHARTS, CONNECTIONS AND FOUNDATIONS FOR SPECIFIC APPLICATIONS AS REQUIRED.
2. THE INFORMATION CONTAINED ON THE ENCLOSED SHEETS IS INTENDED AS A MINIMUM GENERAL GUIDELINE AND DOES NOT EXCLUDE THE USE OF ALTERNATE DETAILS WHERE ACCEPTED BY THE ENFORCING AGENCY AND/OR DESIGNED BY A PROFESSIONAL ENGINEER.
3. WALL MEMBERS AND COLUMNS SHALL BE CONSIDERED BOTH VERTICAL LOAD BEARING ELEMENTS AND AS MEMBERS SPANNING VERTICALLY TO RESIST THE SOLID WALL LOADS.
4. ROOF PANELS FOR THESE STRUCTURES SHALL BE DESIGNED FOR AN ENCLOSED OR PARTIALLY ENCLOSED STRUCTURE PER FBC REQUIREMENTS.

SCREEN ROOMS

1. REFER TO SUPPLIED DESIGN INFORMATION ON EXTRUSIONS, PANEL, CHARTS, CONNECTIONS AND FOUNDATIONS FOR SPECIFIC APPLICATIONS AS REQUIRED.
2. THE INFORMATION CONTAINED ON THE ENCLOSED SHEETS IS INTENDED AS A MINIMUM GENERAL GUIDELINE AND DOES NOT EXCLUDE THE USE OF ALTERNATE DETAILS WHERE ACCEPTED BY THE ENFORCING AGENCY AND/OR DESIGNED BY A PROFESSIONAL ENGINEER.
3. POST AND COLUMNS SHALL BE CONSIDERED BOTH VERTICAL LOAD BEARING ELEMENTS AND AS MEMBERS SPANNING VERTICALLY TO RESIST LATERAL LOADS.
4. ROOF PANELS FOR THESE STRUCTURES SHALL BE DESIGNED FOR "SCREEN ROOM" STRUCTURE PER THE FBC REQUIREMENTS.

COMPOSITE PANELS

1. COMPOSITE ROOF AND WALL PANELS MAY BE INSTALLED OVER NEW OR EXISTING WOOD FRAMING, STEEL FRAME OR MASONRY SUB-STRUCTURES.
2. COMPOSITE ROOF AND WALLS PANELS COMPLY WITH CHAPTER 8 SECTION 803, CLASS A INTERIOR FINISH OF THE FBC 2004 ED. AND SBC 1999 ED.
3. SEE THERMAL BARRIER REQUIREMENTS LISTED ABOVE.

WINDOWS AND DOORS

1. STRUCTURAL ALUMINUM SUPPORT AND FRAMING MEMBERS USED IN NEW CONSTRUCTION OR RETROFIT OF GLASS PANE WINDOWS AND / OR DOORS UNDER NEW AND EXISTING ALUMINUM PANEL ROOFS SHALL COMPLY WITH THE DESIGN REQUIREMENTS IF THE FBC, SBC, AND BOCA.
2. GALLS PANE WINDOWS AND/OR ALUMINUM DOOR ROOM ENCLOSURES SHALL COMPLY WITH THE ELECTRICAL REQUIREMENTS OF THE N.E.C.
3. ALUMINUM PRIME WINDOW AND SLIDING GLASS DOORS SHALL COMPLY WITH A.N.S.I./A/A/M/A VOLUNTARY SPECIFICATION 1001-88. POLY VINYL CHLORIDE PRIME WINDOWS AND SLIDING GLASS DOORS SHALL COMPLY WITH A.N.S.I./A.A.M.A. VOLUNTARY SPECIFICATION 101V086. GLASS PANE WINDOWS AND/OR DOOR ROOM ENCLOSURES CONSTRUCTED UNDER NEW OR EXISTING PITCHED COMPOSITE ROOFS SHALL HAVE A CEILING HEIGHT OF NOT LESS THAN (7'-0").
6. ALL EXIT/ENTRY DOORS IN GLASS PANE WINDOW ENCLOSURES SHALL BE A MINIMUM OF (1.5") THICK PRIME ALUMINUM DOORS, DOOR GLASS SHALL COMPLY WITH REQUIREMENTS OF THE FBC, SBC, BOCA.
7. ALL WINDOWS & DOORS SHALL BE INSTALLED AS PER MANUFACTURER'S SPECIFICATIONS FOR WOOD FRAME CONSTRUCTION EXCEPT THAT #10 SHEET METAL SCREWS SHALL BE SUBSTITUTED FOR WOOD FASTENERS.
8. WINDOWS AND DOORS WITH IMPACT GLASS (SIMONTON STORM BREAKER) MAY BE USED IN LIEU OF STORM PANELS IN WIND-BORNE DEBRIS AREAS.

MASTER FILE ENGINEERING

1. STRUCTURAL BUILDING SYSTEMS STANDARD ENGINEERING MAY BE MASTER FILED WITH WRITTEN PERMISSION FROM STRUCTALL.
2. WHEN SUBMITTING ENGINEERING FOR A MASTER FILING, A SIGNED LETTER FROM STRUCTURAL BUILDING SYSTEMS MUST BE INCLUDED WITH THIS ENGINEERING PACKET.
3. LOCAL AND COUNTY BUILDING DEPARTMENTS MAY SPECIFY TO EXCLUDE SECTIONS OF THIS ENGINEERING PACKET FROM MASTER FILING.

MOBILE/MANUFACTURED HOMES

1. MOBILE/MANUFACTURED HOMES SHALL REQUIRE "FOURTH WALL" CONSTRUCTION, UNLESS BUILT AFTER 1994 AND THE MANUFACTURER CERTIFIES IN WRITING THAT THE MOBILE/MANUFACTURED HOME MAY BE ATTACHED TO IN A STRUCTURAL MANNER.

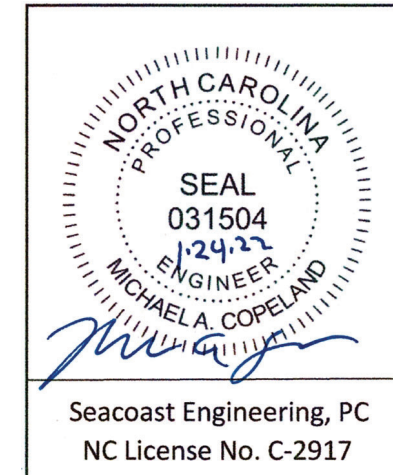
GENERAL NOTES - RESIDENTIAL

1. ALL WORK SHALL BE CONSTRUCTED IN CONFORMANCE WITH THE NORTH CAROLINA STATE BUILDING CODE; RESIDENTIAL CODE (2018 IRC WITH NORTH CAROLINA AMENDMENTS). 2018 EDITION, PLUS LOCAL CODES AND REGULATIONS (NCRC). SPECIFIC CODE REFERENCE IS APPENDIX H, PATIO COVERS. WORK NOT DETAILED SHALL COMPLY WITH THE REQUIREMENTS OF THE NCRC.
2. SECTIONS AND DETAILS SHOWN SHALL BE CONSIDERED TYPICAL FOR ALL SIMILAR CONDITIONS.
3. THE CONTRACTOR SHALL VERIFY ALL CONDITIONS IN THE FIELD AND TAKE ALL NECESSARY FIELD MEASUREMENTS.
4. THE STRUCTURE SHOWN ON THESE DRAWINGS IS STRUCTURALLY SOUND ONLY IN ITS COMPLETED FORM. THE CONTRACTOR SHALL PROVIDE ALL NECESSARY BRACING TO STABILIZE THE BUILDING DURING CONSTRUCTION.

DESIGN LOADS - RESIDENTIAL

1. DESIGN CRITERIA IS THE NORTH CAROLINA STATE BUILDING CODE: RESIDENTIAL CODE, 2018 INTERNATIONAL RESIDENTIAL CODE WITH NORTH CAROLINA AMENDMENTS, 2018.
2. WIND LOAD - NCRC AND ASCE 7-05, 150 M.P.H. EXPOSURE B.
3. VERTICAL LOADS SHALL INCLUDE THE FOLLOWING:

LOCATION	LIVE LOAD	DEAD LOAD	SNOW LOAD
FLOORS & DECKS	40 PSF	20 PSF	
ROOFS	20 PSF	15 PSF	



Porch Conversion

6821 Market Street
Wilmington, NC 28405
Ph. (910) 777-3363
porchconversion@gmail.com

Jobname: BAILES
Address: 1200 OLIVE BRANCH ROAD
FUQUAY-VARINA, NC 27526

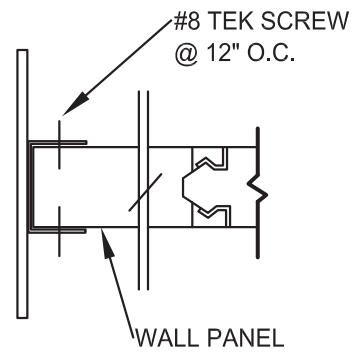
GENERAL NOTES

FOR

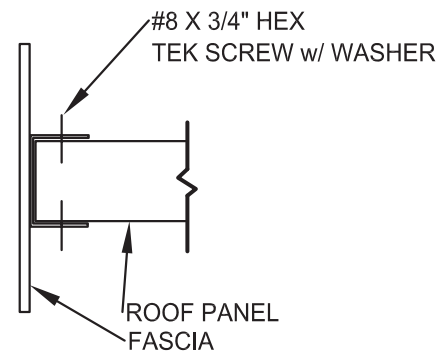
GABLE SUNROOM PACKAGE- DECK

SHEET NO.

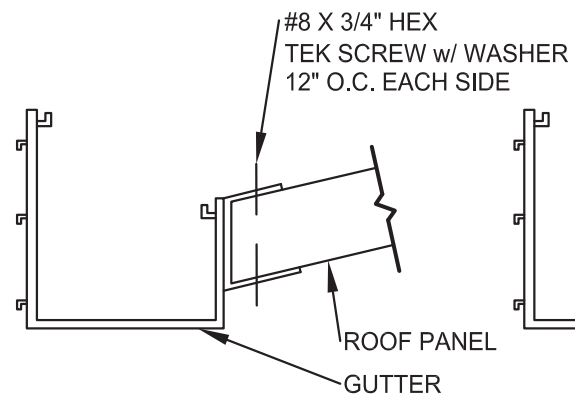
1 OF 4



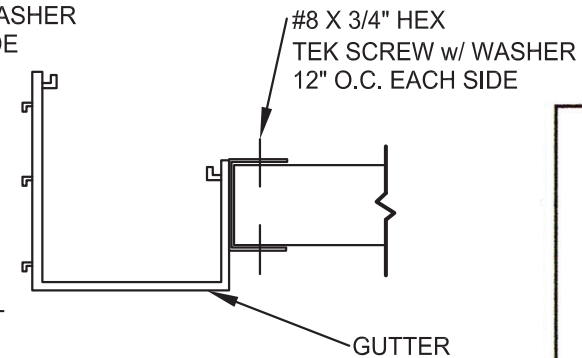
DETAIL #1
NOT TO SCALE



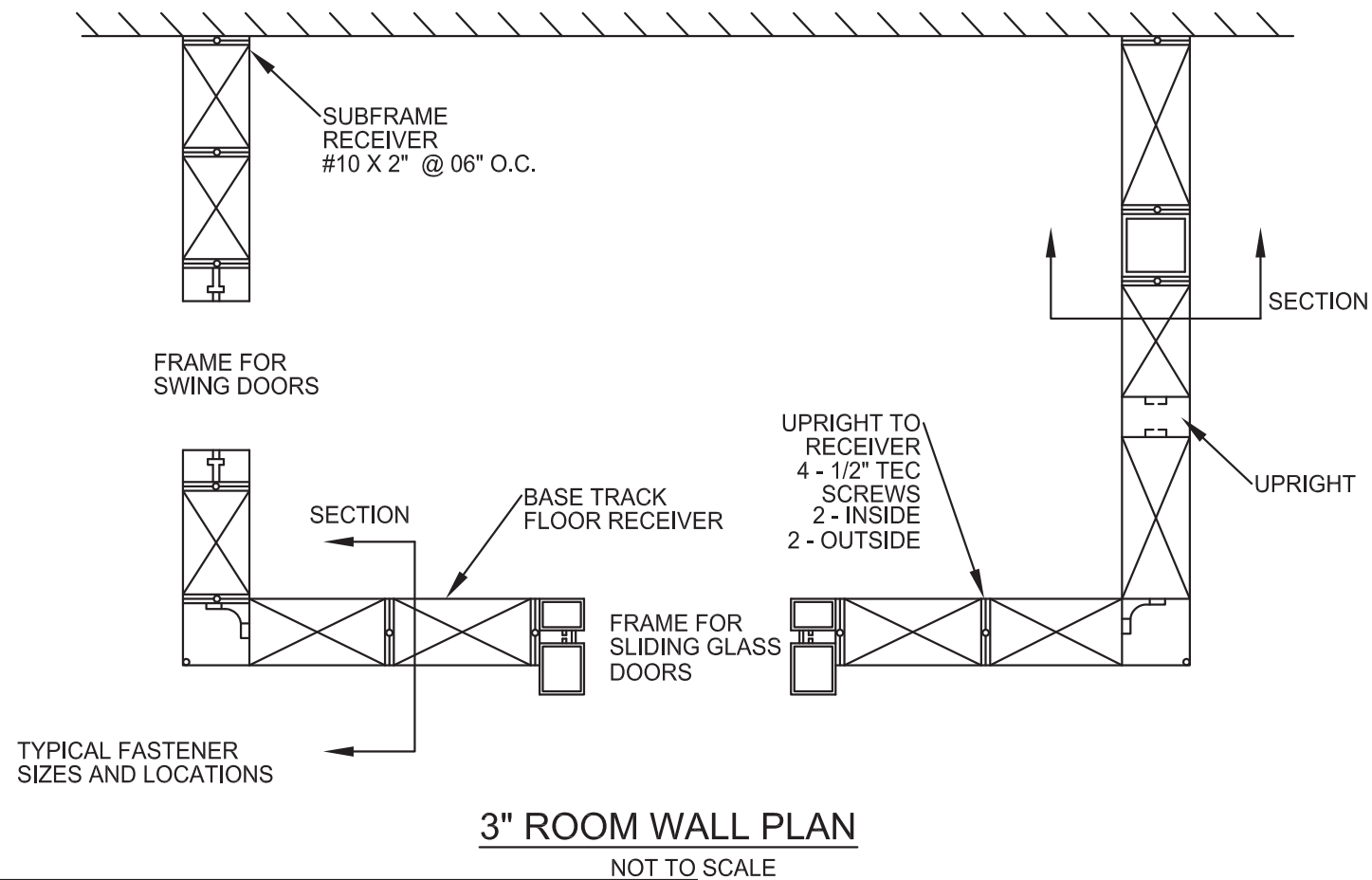
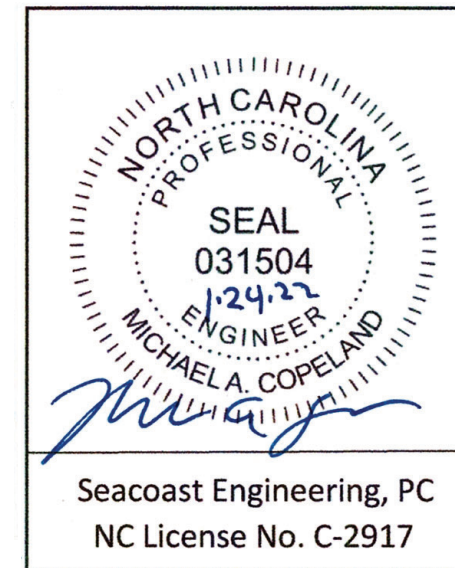
DETAIL #2
NOT TO SCALE



DETAIL #3
NOT TO SCALE



DETAIL #4
NOT TO SCALE



3" ROOM WALL PLAN
NOT TO SCALE

Porch Conversion

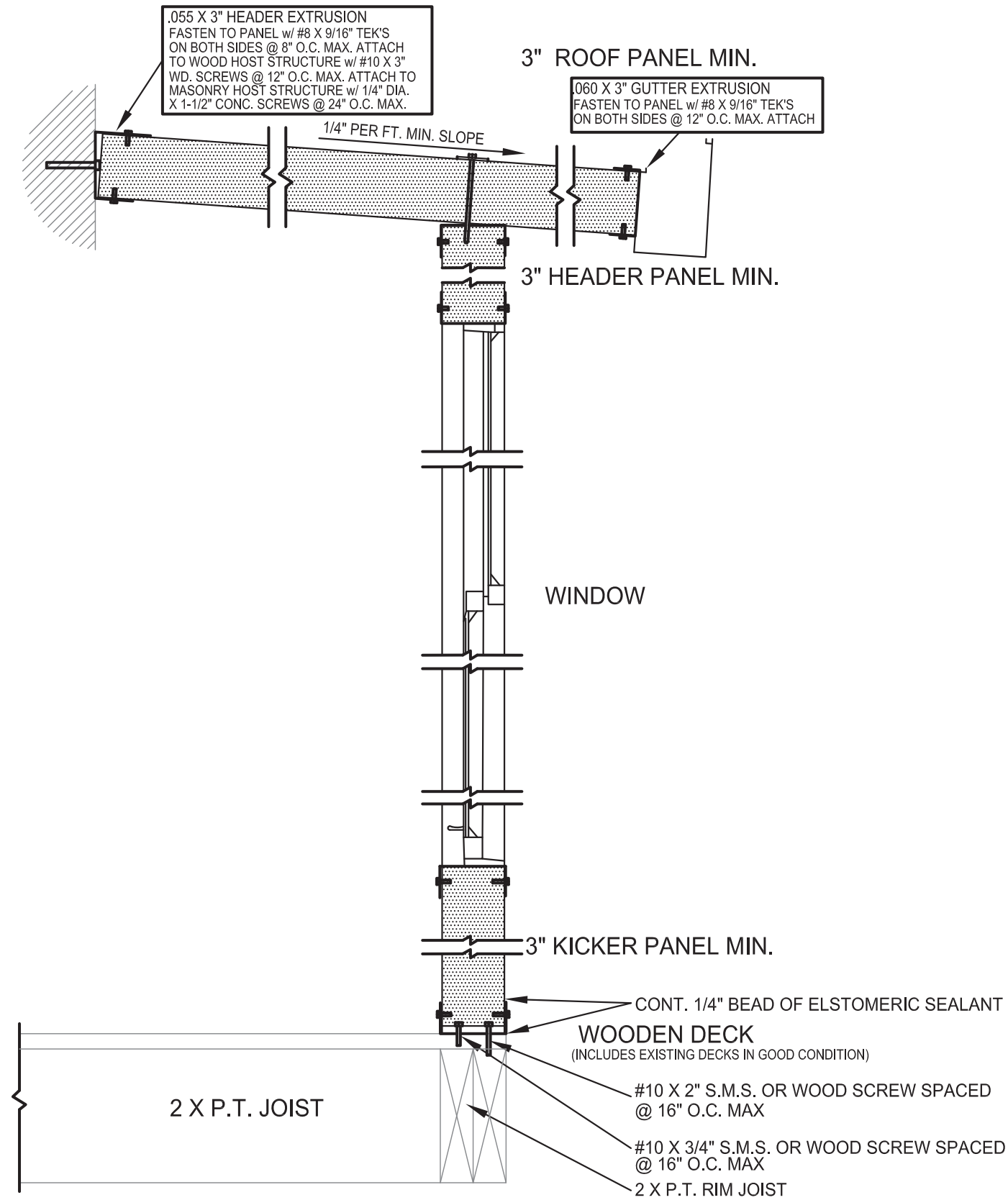
6821 Market Street
Wilmington, NC 28405
Ph. (910) 777-3363
porchconversion@gmail.com

Jobname: **BAILES**
Address: **1200 OLIVE BRANCH ROAD**
FUQUAY-VARINA, NC 27526

CONNECTION DETAILS
FOR
GLASS SUNROOM PACKAGE - DECK

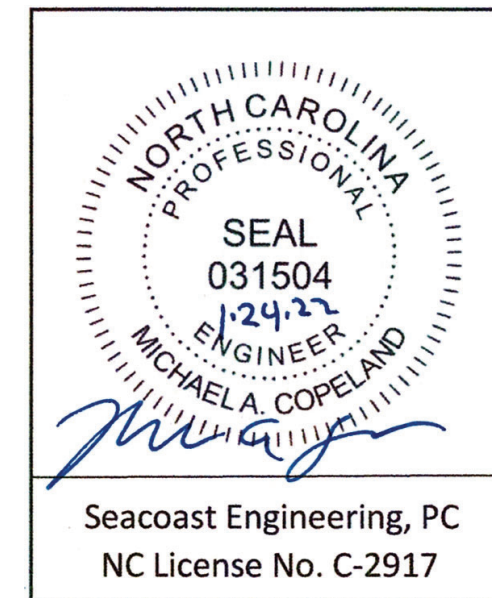
SHEET NO.

2 OF 4



TYPICAL GLASS ROOM WALL SECTION

NOT TO SCALE



Porch Conversion

6821 Market Street
Wilmington, NC 28405
Ph. (910) 777-3363
porchconversion@gmail.com

Jobname: BAILES
Address: 1200 OLIVE BRANCH ROAD
FUQUAY-VARINA, NC 27526

TYPICAL GLASS ROOM WALL SECTION DETAIL
FOR
GLASS SUNROOM PACKAGE - DECK