

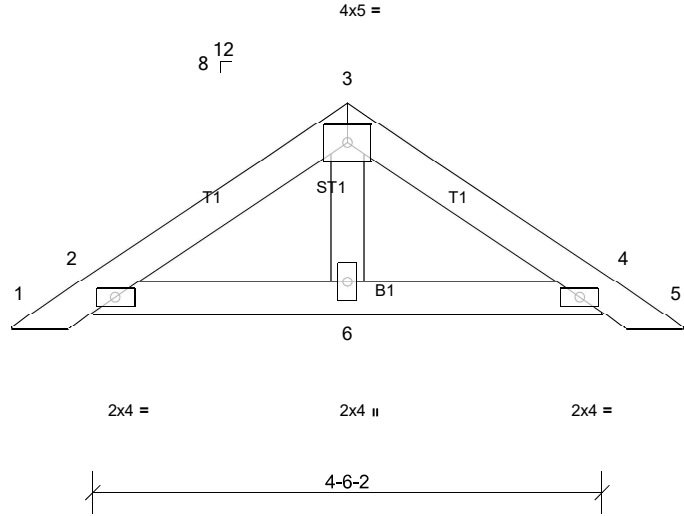
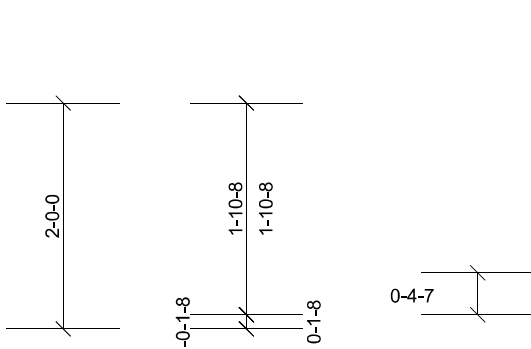
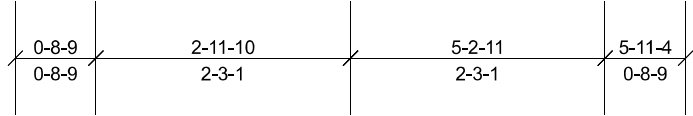
Job Q-2201750-1	Truss CAP1	Truss Type Piggyback	Qty 2	Ply 1	Castro House-Castro House Job Reference (optional)
--------------------	---------------	-------------------------	----------	----------	---

Peak Truss Builders LLC, New Hill, user

Run: 8.43 S Feb 3 2021 Print: 8.430 S Feb 3 2021 MiTek Industries, Inc. Wed Aug 31 16:19:36

Page: 1

ID: _cX87gvRwtixJFmspPO4ijilS1-3g5lPeFV53BDKW3TJMVDd?OUtW1kY33WwCooYyihHyb



Scale = 1:20.4

Loading	(psf)	Spacing	2-0-0	CSI	DEFL	in	(loc)	l/defl	L/d	PLATES	GRIP	
TCLL (roof)	20.0	Plate Grip DOL	1.15	TC	0.04	Vert(LL)	n/a	-	n/a	999	MT20	244/190
TCDL	10.0	Lumber DOL	1.15	BC	0.05	Vert(CT)	n/a	-	n/a	999		
BCLL	0.0*	Rep Stress Incr	YES	WB	0.01	Horz(CT)	0.00	11	n/a	n/a		
BCDL	10.0	Code	IRC2015/TPI2014	Matrix-MP							Weight: 19 lb	FT = 20%

LUMBER

TOP CHORD 2x4 SP No.1
 BOT CHORD 2x4 SP No.1
 OTHERS 2x4 SP No.3

BRACING

TOP CHORD
 BOT CHORD

Structural wood sheathing directly applied or 6-0-0 oc purlins.
 Rigid ceiling directly applied or 10-0-0 oc bracing.

MiTek recommends that Stabilizers and required cross bracing be installed during truss erection, in accordance with Stabilizer Installation guide.

REACTIONS All bearings 4-6-2.

(lb) - Max Horiz 2=-33 (LC 9), 7=-33 (LC 9)
 Max Uplift All uplift 100 (lb) or less at joint(s) 2, 4, 7, 11
 Max Grav All reactions 250 (lb) or less at joint(s) 2, 4, 6, 7, 11

FORCES (lb) - Max. Comp./Max. Ten. - All forces 250 (lb) or less except when shown.

NOTES

- Unbalanced roof live loads have been considered for this design.
- Wind: ASCE 7-10; Vult=120mph (3-second gust) Vasd=95mph; TC DL=6.0psf; BCDL=6.0psf; h=30ft; B=20ft; L=20ft; eave=4ft; Cat. II; Exp B; Enclosed; MWFRS (directional) and C-C Exterior (2) zone; cantilever left and right exposed; end vertical left and right exposed; C-C for members and forces & MWFRS for reactions shown; Lumber DOL=1.60 plate grip DOL=1.60
- Truss designed for wind loads in the plane of the truss only. For studs exposed to wind (normal to the face), see Standard Industry Gable End Details as applicable, or consult qualified building designer as per ANSI/TPI 1.
- Gable requires continuous bottom chord bearing.
- Gable studs spaced at 2-0-0 oc.
- * This truss has been designed for a live load of 20.0psf on the bottom chord in all areas where a rectangle 3-06-00 tall by 2-00-00 wide will fit between the bottom chord and any other members.
- Provide mechanical connection (by others) of truss to bearing plate capable of withstanding 100 lb uplift at joint(s) 2, 4, 2, 4.
- This truss is designed in accordance with the 2015 International Residential Code sections R502.11.1 and R802.10.2 and referenced standard ANSI/TPI 1.
- See Standard Industry Piggyback Truss Connection Detail for Connection to base truss as applicable, or consult qualified building designer.

LOAD CASE(S) Standard

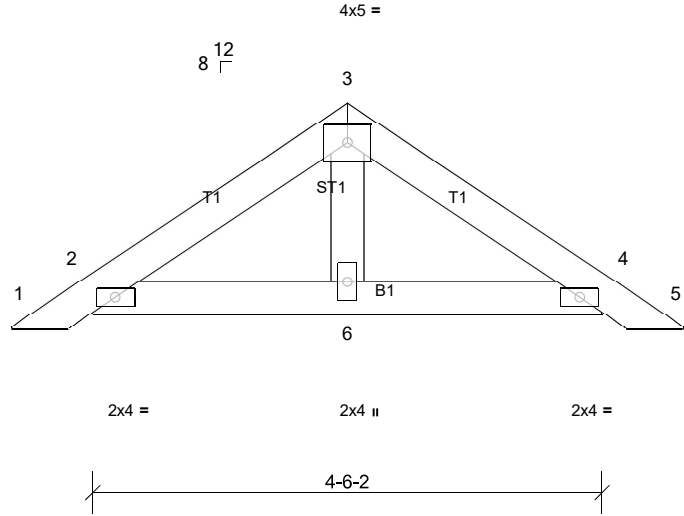
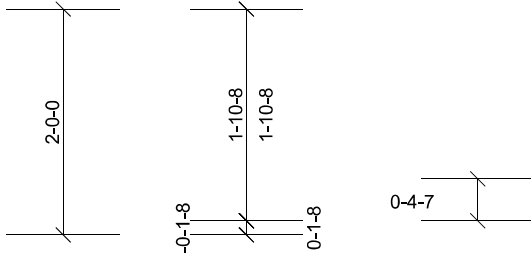
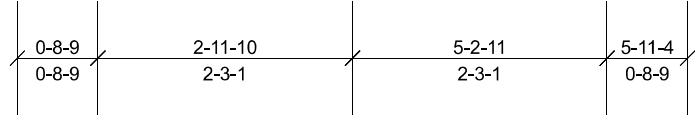
Job Q-2201750-1	Truss CAP2	Truss Type Piggyback	Qty 33	Ply 1	Castro House-Castro House Job Reference (optional)
--------------------	---------------	-------------------------	-----------	----------	---

Peak Truss Builders LLC, New Hill, user

Run: 8.43 S Feb 3 2021 Print: 8.430 S Feb 3 2021 MiTek Industries, Inc. Wed Aug 31 16:19:37

Page: 1

ID: cX87gvRwtiixJFmspPO4iyiIS1-Xtf8c_G7sNJ4ygefH41SADwfdwNzHWJf8sXL4Lyihya



Scale = 1:20.4

Loading	(psf)	Spacing	2-0-0	CSI	DEFL	in	(loc)	l/defl	L/d	PLATES	GRIP	
TCLL (roof)	20.0	Plate Grip DOL	1.15	TC	0.04	Vert(LL)	n/a	-	n/a	999	MT20	244/190
TCDL	10.0	Lumber DOL	1.15	BC	0.05	Vert(CT)	n/a	-	n/a	999		
BCLL	0.0*	Rep Stress Incr	YES	WB	0.01	Horz(CT)	0.00	11	n/a	n/a		
BCDL	10.0	Code	IRC2015/TPI2014	Matrix-MP							Weight: 19 lb	FT = 20%

LUMBER

TOP CHORD 2x4 SP No.1
 BOT CHORD 2x4 SP No.1
 OTHERS 2x4 SP No.3

BRACING

TOP CHORD
 BOT CHORD

Structural wood sheathing directly applied or 6-0-0 oc purlins.
 Rigid ceiling directly applied or 10-0-0 oc bracing.

MiTek recommends that Stabilizers and required cross bracing be installed during truss erection, in accordance with Stabilizer Installation guide.

REACTIONS All bearings 4-6-2.

(lb) - Max Horiz 2=-33 (LC 9), 7=-33 (LC 9)
 Max Uplift All uplift 100 (lb) or less at joint(s) 2, 4, 7, 11
 Max Grav All reactions 250 (lb) or less at joint(s) 2, 4, 6, 7, 11

FORCES (lb) - Max. Comp./Max. Ten. - All forces 250 (lb) or less except when shown.

NOTES

- Unbalanced roof live loads have been considered for this design.
- Wind: ASCE 7-10; Vult=120mph (3-second gust) Vasd=95mph; TC DL=6.0psf; BCDL=6.0psf; h=30ft; B=20ft; L=20ft; eave=4ft; Cat. II; Exp B; Enclosed; MWFRS (directional) and C-C Exterior (2) zone; cantilever left and right exposed; end vertical left and right exposed; C-C for members and forces & MWFRS for reactions shown; Lumber DOL=1.60 plate grip DOL=1.60
- Truss designed for wind loads in the plane of the truss only. For studs exposed to wind (normal to the face), see Standard Industry Gable End Details as applicable, or consult qualified building designer as per ANSI/TPI 1.
- Gable requires continuous bottom chord bearing.
- Gable studs spaced at 4-0-0 oc.
- * This truss has been designed for a live load of 20.0psf on the bottom chord in all areas where a rectangle 3-06-00 tall by 2-00-00 wide will fit between the bottom chord and any other members.
- Provide mechanical connection (by others) of truss to bearing plate capable of withstanding 100 lb uplift at joint(s) 2, 4, 2, 4.
- This truss is designed in accordance with the 2015 International Residential Code sections R502.11.1 and R802.10.2 and referenced standard ANSI/TPI 1.
- See Standard Industry Piggyback Truss Connection Detail for Connection to base truss as applicable, or consult qualified building designer.

LOAD CASE(S) Standard

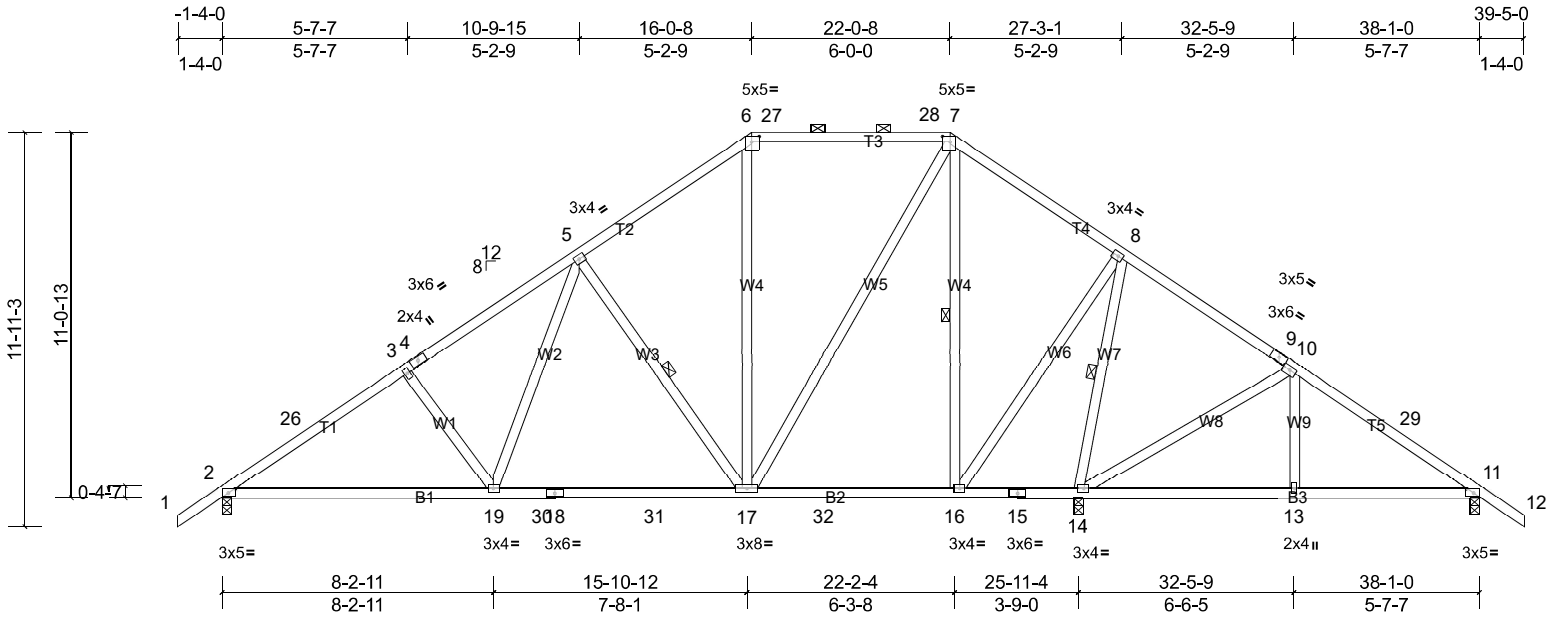
Job Q-2201750-1	Truss T1	Truss Type Piggyback Base	Qty 11	Ply 1	Castro House-Castro House Job Reference (optional)
--------------------	-------------	------------------------------	-----------	----------	---

Peak Truss Builders LLC, New Hill, user

Run: 8.43 S Feb 3 2021 Print: 8.430 S Feb 3 2021 MiTek Industries, Inc. Wed Aug 31 16:19:37

Page: 1

ID:er3yI0ineF_xp?D41Rh0WXyilXS-Xtf8c_G7sNJ4ygeffH41SADwZowHpHPzf8sXL4LyiHya



Scale = 1:69.8

Plate Offsets (X, Y): [2:0-2-9,0-1-8], [6:0-2-12,0-2-0], [7:0-2-12,0-2-0], [11:0-2-9,0-1-8]

Loading	(psf)	Spacing	2-0-0	CSI	DEFL	in	(loc)	l/defl	L/d	PLATES	GRIP	
TCLL (roof)	20.0	Plate Grip DOL	1.15	TC	0.41	Vert(LL)	-0.11	17-19	>999	240	MT20	244/190
TCDL	10.0	Lumber DOL	1.15	BC	0.44	Vert(CT)	-0.18	17-19	>999	180		
BCLL	0.0*	Rep Stress Incr	YES	WB	0.48	Horz(CT)	0.03	11	n/a	n/a		
BCDL	10.0	Code	IRC2015/TPI2014	Matrix-MS								Weight: 247 lb FT = 20%

LUMBER

TOP CHORD 2x4 SP No.1
 BOT CHORD 2x4 SP No.1
 WEBS 2x4 SP No.3

REACTIONS (lb/size) 2=1102/0-3-8, (min. 0-1-12), 11=537/0-3-8, (min. 0-1-8),
 14=1568/0-3-8, (min. 0-2-7)
 Max Horiz 2=216 (LC 10)
 Max Uplift 2=-175 (LC 11), 11=-107 (LC 11), 14=-187 (LC 11)
 Max Grav 2=1102 (LC 1), 11=556 (LC 24), 14=1568 (LC 1)

BRACING

TOP CHORD Structural wood sheathing directly applied or 4-10-2 oc purlins, except
 2-0-0 oc purlins (6-0-0 max.): 6-7.
 BOT CHORD Rigid ceiling directly applied or 10-0-0 oc bracing, Except:
 6-0-0 oc bracing: 14-16.
 WEBS 1 Row at midpt 5-17, 7-16, 8-14

MiTek recommends that Stabilizers and required cross bracing be installed during truss erection, in accordance with Stabilizer Installation guide.

FORCES (lb) - Max. Comp./Max. Ten. - All forces 250 (lb) or less except when shown.

TOP CHORD 2-26=-1534/189, 3-26=-1473/220, 3-4=-1381/214, 4-5=-1370/250, 5-6=-825/255, 6-27=-631/251, 27-28=-631/251,
 7-28=-631/251, 7-8=-446/215, 10-29=-505/81, 11-29=-581/60
 BOT CHORD 2-19=-60/1372, 19-30=0/1038, 18-30=0/1038, 18-31=0/1038, 17-31=0/1038, 17-32=0/378, 16-32=0/378, 15-16=-324/191,
 14-15=-324/191, 13-14=0/420, 11-13=0/420
 WEBS 3-19=-286/156, 5-19=-33/496, 5-17=-572/193, 7-17=-63/669, 7-16=-645/61, 8-16=-10/987, 8-14=-1267/195,
 10-14=-450/116

NOTES

- Unbalanced roof live loads have been considered for this design.
- Wind: ASCE 7-10; Vult=120mph (3-second gust) Vasd=95mph; TCDL=6.0psf; BCDL=6.0psf; h=30ft; B=20ft; L=38ft; eave=5ft; Cat. II; Exp B; Enclosed; MWFRS (directional) and C-C Exterior (2) 1-4-0 to 2-5-11, Interior (1) 2-5-11 to 16-0-8, Exterior (2) 16-0-8 to 21-5-2, Interior (1) 21-5-2 to 22-0-8, Exterior (2) 22-0-8 to 27-3-6, Interior (1) 27-3-6 to 39-5-0 zone; cantilever left and right exposed; end vertical left and right exposed; C-C for members and forces & MWFRS for reactions shown; Lumber DOL=1.60 plate grip DOL=1.60
- Provide adequate drainage to prevent water ponding.
- * This truss has been designed for a live load of 20.0psf on the bottom chord in all areas where a rectangle 3-06-00 tall by 2-00-00 wide will fit between the bottom chord and any other members, with BCDL = 10.0psf.
- Provide mechanical connection (by others) of truss to bearing plate capable of withstanding 175 lb uplift at joint 2, 187 lb uplift at joint 14 and 107 lb uplift at joint 11.
- This truss is designed in accordance with the 2015 International Residential Code sections R502.11.1 and R802.10.2 and referenced standard ANSI/TPI 1.
- Graphical purlin representation does not depict the size or the orientation of the purlin along the top and/or bottom chord.

LOAD CASE(S) Standard

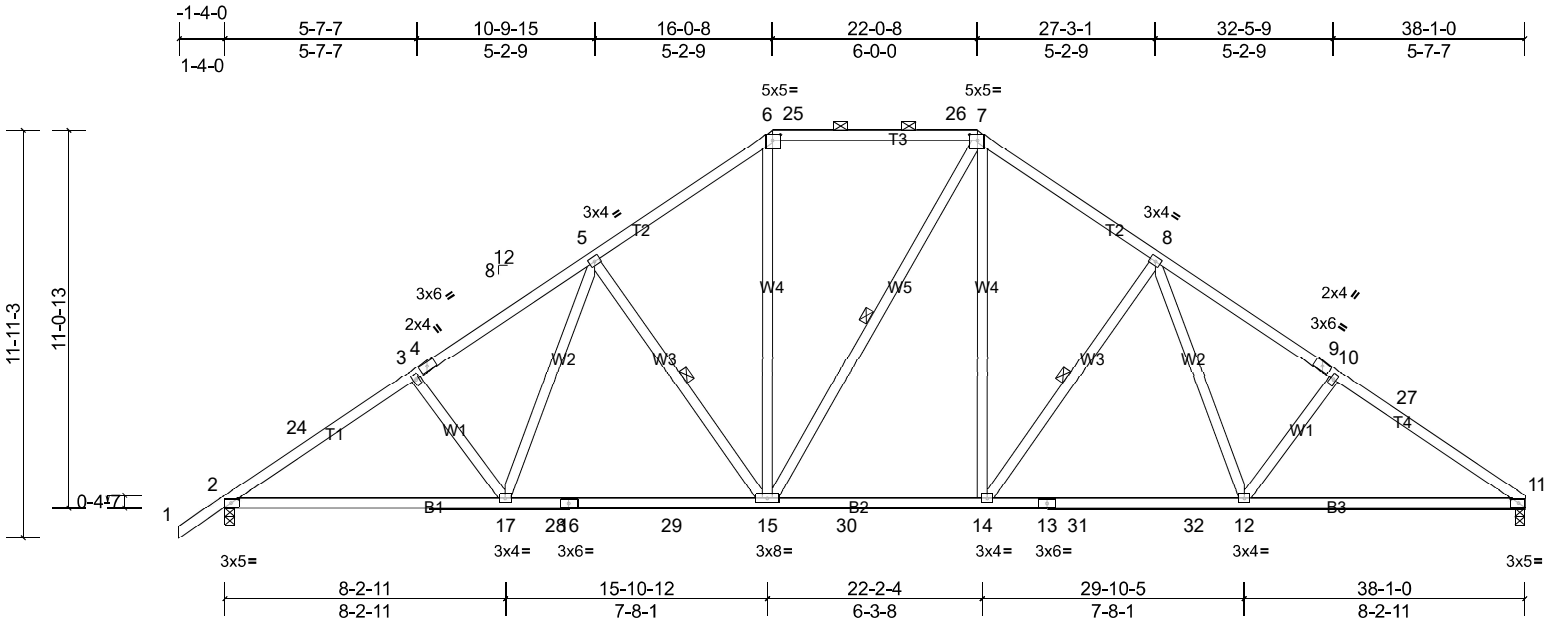
Job Q-2201750-1	Truss T1A	Truss Type Piggyback Base	Qty 14	Ply 1	Castro House-Castro House Job Reference (optional)
--------------------	--------------	------------------------------	-----------	----------	---

Peak Truss Builders LLC, New Hill, user

Run: 8.43 S Feb 3 2021 Print: 8.430 S Feb 3 2021 MiTek Industries, Inc. Wed Aug 31 16:19:38

Page: 1

ID:POY_loomj_onDqdV6qurDyilXK-03DWqKHldgRxZqCrmYhiQTjmKaF0vQoNWHudnyHyZ



Scale = 1:67.5

Plate Offsets (X, Y): [2:0-2-9,0-1-8], [6:0-2-12,0-2-0], [7:0-2-12,0-2-0], [11:0-2-9,0-1-8]

Loading	(psf)	Spacing	2-0-0	CSI	DEFL	in (loc)	l/defl	L/d	PLATES	GRIP		
TCLL (roof)	20.0	Plate Grip DOL	1.15	TC	0.46	Vert(LL)	-0.16	15-17	>999	240	MT20	244/190
TCDL	10.0	Lumber DOL	1.15	BC	0.56	Vert(CT)	-0.29	12-14	>999	180		
BCLL	0.0*	Rep Stress Incr	YES	WB	0.28	Horz(CT)	0.09	11	n/a	n/a		
BCDL	10.0	Code	IRC2015/TPI2014	Matrix-MS								
											Weight: 236 lb	FT = 20%

LUMBER
TOP CHORD 2x4 SP No.1
BOT CHORD 2x4 SP No.1
WEBS 2x4 SP No.3

REACTIONS (lb/size) 2=1605/0-3-8, (min. 0-2-9), 11=1522/0-3-8, (min. 0-2-7)
Max Horiz 2=212 (LC 10)
Max Uplift 2=-236 (LC 11), 11=-186 (LC 11)
Max Grav 2=1617 (LC 19), 11=1550 (LC 20)

BRACING
TOP CHORD Structural wood sheathing directly applied or 3-8-15 oc purlins, except 2-0-0 oc purlins (4-8-7 max.): 6-7.
BOT CHORD Rigid ceiling directly applied or 10-0-0 oc bracing.
WEBS 1 Row at midpt 5-15, 7-15, 8-14

MiTek recommends that Stabilizers and required cross bracing be installed during truss erection, in accordance with Stabilizer Installation guide.

FORCES (lb) - Max. Comp./Max. Ten. - All forces 250 (lb) or less except when shown.
TOP CHORD 2-24=-2449/297, 3-24=-2386/328, 3-4=-2297/322, 4-5=-2286/358, 5-6=-1746/365, 6-25=-1389/342, 25-26=-1389/342, 7-26=-1389/342, 7-8=-1761/365, 8-9=-2308/366, 9-10=-2320/331, 10-27=-2378/337, 11-27=-2458/319
BOT CHORD 2-17=-191/2122, 17-28=-90/1795, 16-28=-90/1795, 16-29=-90/1795, 15-29=-90/1795, 15-30=0/1430, 14-30=0/1430, 13-14=-93/1684, 13-31=-93/1684, 31-32=-93/1684, 12-32=-93/1684, 11-12=-201/1994
WEBS 3-17=-281/155, 5-17=-30/489, 5-15=-572/192, 6-15=-78/659, 7-14=-79/735, 8-14=-576/197, 8-12=-40/499, 10-12=-288/162

- NOTES**
- Unbalanced roof live loads have been considered for this design.
 - Wind: ASCE 7-10; Vult=120mph (3-second gust) Vasd=95mph; TCDL=6.0psf; BCDL=6.0psf; h=30ft; B=20ft; L=38ft; eave=5ft; Cat. II; Exp B; Enclosed; MWFRS (directional) and C-C Exterior (2) -1-4-0 to 2-5-11, Interior (1) 2-5-11 to 16-0-8, Exterior (2) 16-0-8 to 21-5-2, Interior (1) 21-5-2 to 22-0-8, Exterior (2) 22-0-8 to 27-3-1, Interior (1) 27-3-1 to 38-1-0 zone; cantilever left and right exposed; end vertical left and right exposed; C-C for members and forces & MWFRS for reactions shown; Lumber DOL=1.60 plate grip DOL=1.60
 - Provide adequate drainage to prevent water ponding.
 - * This truss has been designed for a live load of 20.0psf on the bottom chord in all areas where a rectangle 3-06-00 tall by 2-00-00 wide will fit between the bottom chord and any other members, with BCDL = 10.0psf.
 - Provide mechanical connection (by others) of truss to bearing plate capable of withstanding 236 lb uplift at joint 2 and 186 lb uplift at joint 11.
 - This truss is designed in accordance with the 2015 International Residential Code sections R502.11.1 and R802.10.2 and referenced standard ANSI/TPI 1.
 - Graphical purlin representation does not depict the size or the orientation of the purlin along the top and/or bottom chord.

LOAD CASE(S) Standard

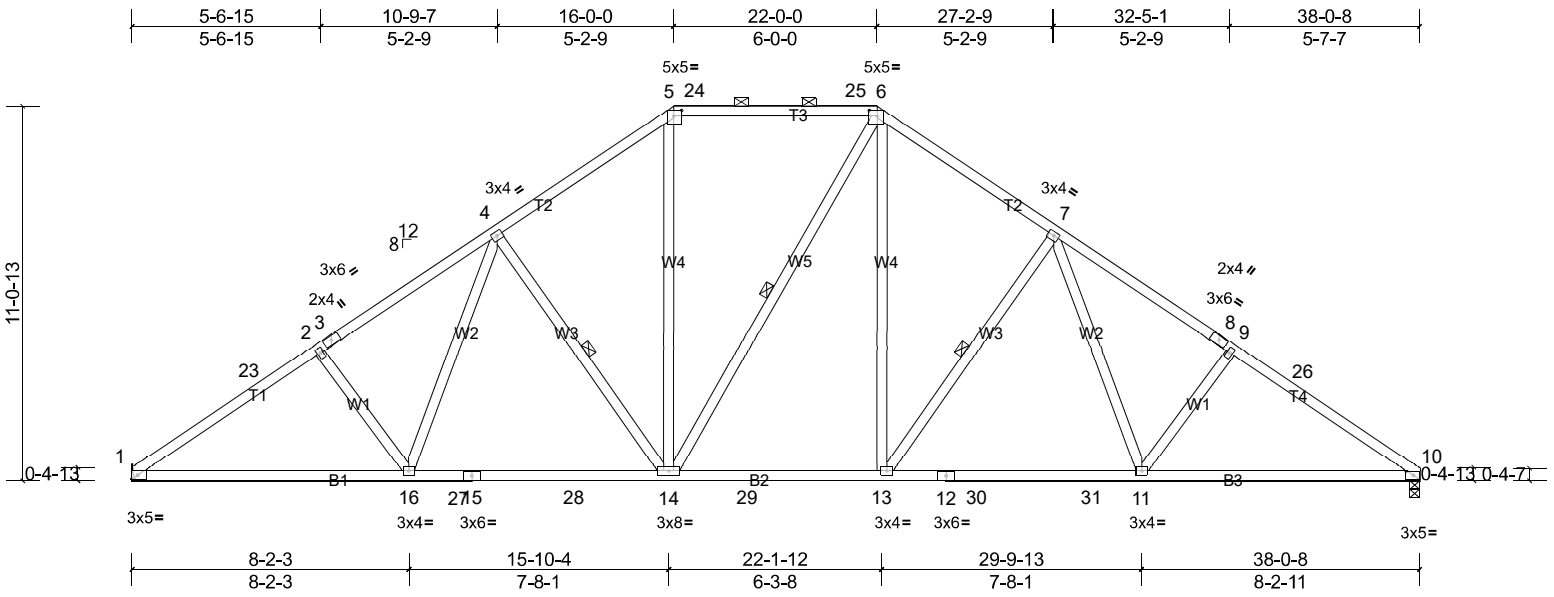
Job Q-2201750-1	Truss T1B	Truss Type Piggyback Base	Qty 8	Ply 1	Castro House-Castro House Job Reference (optional)
--------------------	--------------	------------------------------	----------	----------	---

Peak Truss Builders LLC, New Hill, user

Run: 8.43 S Feb 3 2021 Print: 8.430 S Feb 3 2021 MiTek Industries, Inc. Wed Aug 31 16:19:39

Page: 1

ID:POY_loomj_onDqdV6qurDyilXK-UFnu1glINO_ZoB_n1OV3wFe0uVkwUllfycA0S9EyiHY



Scale = 1:68.1

Plate Offsets (X, Y): [5:0-2-12,0-2-0], [6:0-2-12,0-2-0], [10:0-2-9,0-1-8]

Loading	(psf)	Spacing	2-0-0	CSI	DEFL	in	(loc)	l/defl	L/d	PLATES	GRIP	
TCLL (roof)	20.0	Plate Grip DOL	1.15	TC	0.46	Vert(LL)	-0.16	14-16	>999	240	MT20	244/190
TCDL	10.0	Lumber DOL	1.15	BC	0.56	Vert(CT)	-0.29	11-13	>999	180		
BCLL	0.0*	Rep Stress Incr	YES	WB	0.28	Horz(CT)	0.09	10	n/a	n/a		
BCDL	10.0	Code	IRC2015/TPI2014	Matrix-MS								
											Weight: 233 lb	FT = 20%

LUMBER
 TOP CHORD 2x4 SP No.1
 BOT CHORD 2x4 SP No.1
 WEBS 2x4 SP No.3

BRACING
 TOP CHORD Structural wood sheathing directly applied or 3-8-15 oc purlins, except 2-0-0 oc purlins (4-8-7 max.): 5-6.
 BOT CHORD Rigid ceiling directly applied or 10-0-0 oc bracing.
 WEBS 1 Row at midpt 4-14, 6-14, 7-13

REACTIONS (lb/size) 1=1522/ Mechanical, (min. 0-1-8), 10=1522/0-3-8, (min. 0-2-7)
 Max Horiz 1=199 (LC 10)
 Max Uplift 1=-187 (LC 11), 10=-187 (LC 11)
 Max Grav 1=1542 (LC 19), 10=1549 (LC 20)

MiTek recommends that Stabilizers and required cross bracing be installed during truss erection, in accordance with Stabilizer Installation guide.

FORCES (lb) - Max. Comp./Max. Ten. - All forces 250 (lb) or less except when shown.
 TOP CHORD 1-23=-2446/320, 2-23=-2351/337, 2-3=-2294/331, 3-4=-2282/367, 4-5=-1746/367, 5-24=-1388/344, 24-25=-1388/344, 6-25=-1388/344, 6-7=-1760/367, 7-8=-2307/368, 8-9=-2318/333, 9-26=-2377/339, 10-26=-2457/321
 BOT CHORD 1-16=-201/2118, 16-27=-94/1793, 15-27=-94/1793, 15-28=-94/1793, 14-28=-94/1793, 14-29=0/1429, 13-29=0/1429, 12-13=-94/1684, 12-30=-94/1684, 30-31=-94/1684, 11-31=-94/1684, 10-11=-203/1993
 WEBS 2-16=-280/161, 4-16=-38/486, 4-14=-571/196, 5-14=-79/659, 6-13=-79/735, 7-13=-576/196, 7-11=-40/499, 9-11=-288/162

- NOTES**
- Unbalanced roof live loads have been considered for this design.
 - Wind: ASCE 7-10; Vult=120mph (3-second gust) Vasd=95mph; TCDL=6.0psf; BCDL=6.0psf; h=30ft; B=20ft; L=38ft; eave=5ft; Cat. II; Exp B; Enclosed; MWFRS (directional) and C-C Exterior (2) 0-0-8 to 3-10-2, Interior (1) 3-10-2 to 16-0-8, Exterior (2) 16-0-8 to 21-5-1, Interior (1) 21-5-1 to 22-0-8, Exterior (2) 22-0-8 to 27-3-1, Interior (1) 27-3-1 to 38-1-0 zone; cantilever left and right exposed; end vertical left and right exposed; C-C for members and forces & MWFRS for reactions shown; Lumber DOL=1.60 plate grip DOL=1.60
 - Provide adequate drainage to prevent water ponding.
 - * This truss has been designed for a live load of 20.0psf on the bottom chord in all areas where a rectangle 3-06-00 tall by 2-00-00 wide will fit between the bottom chord and any other members, with BCDL = 10.0psf.
 - Refer to girder(s) for truss to truss connections.
 - Provide mechanical connection (by others) of truss to bearing plate capable of withstanding 187 lb uplift at joint 1 and 187 lb uplift at joint 10.
 - This truss is designed in accordance with the 2015 International Residential Code sections R502.11.1 and R802.10.2 and referenced standard ANSI/TPI 1.
 - Graphical purlin representation does not depict the size or the orientation of the purlin along the top and/or bottom chord.

LOAD CASE(S) Standard

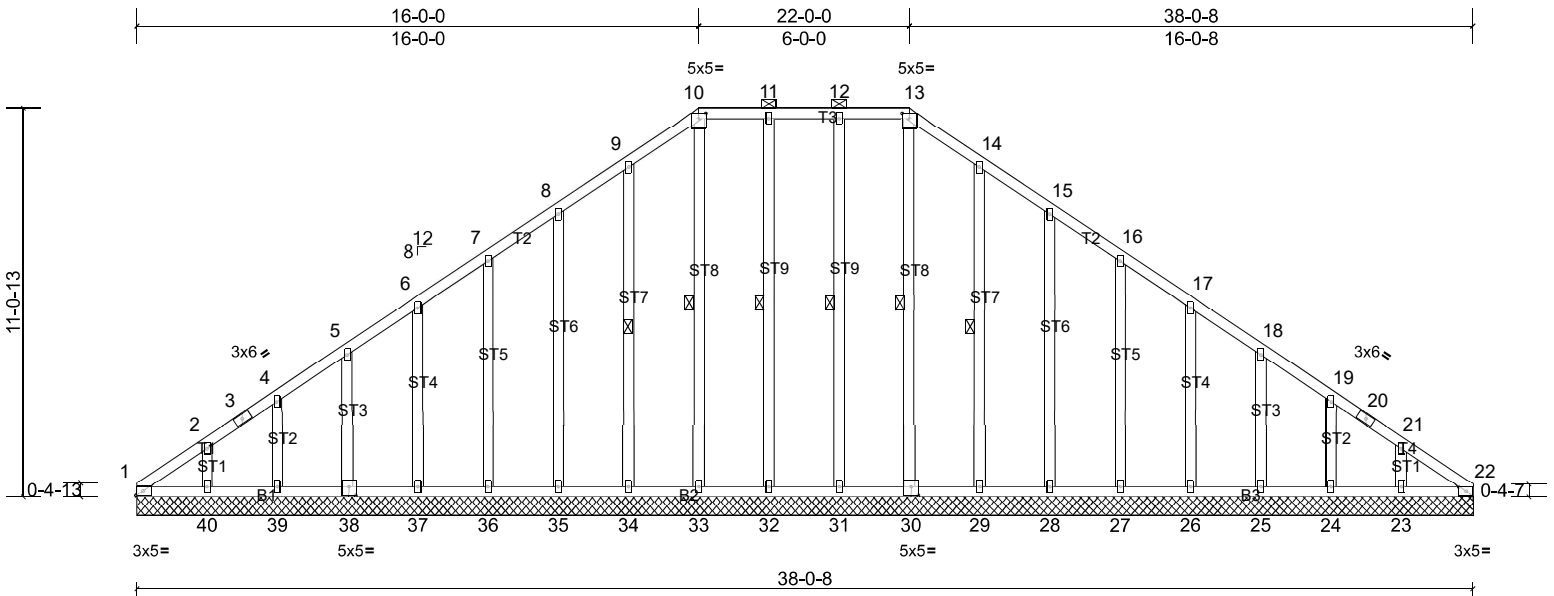
Job Q-2201750-1	Truss T1CGE	Truss Type Piggyback Base Supported Gable	Qty 1	Ply 1	Castro House-Castro House Job Reference (optional)
--------------------	----------------	--	----------	----------	---

Peak Truss Builders LLC, New Hill, user

Run: 8.43 S Feb 3 2021 Print: 8.430 S Feb 3 2021 MiTek Industries, Inc. Wed Aug 31 16:19:39

Page: 1

ID:61cLWMJPPZ6oR8oGb8CF3lyIXR-UFnu1gINO_ZoB_n1OV3wFe0?4k2ilNeycA0S9EyiHY



Scale = 1:65.6

Plate Offsets (X, Y): [10:0-2-8,0-1-13], [13:0-2-8,0-1-13], [22:0-2-9,0-1-8], [30:0-2-8,0-3-0], [38:0-2-8,0-3-0]

Loading	(psf)	Spacing	2-0-0	CSI		DEFL	in	(loc)	l/defl	L/d	PLATES	GRIP
TCLL (roof)	20.0	Plate Grip DOL	1.15	TC	0.04	Vert(LL)	n/a	-	n/a	999	MT20	244/190
TCDL	10.0	Lumber DOL	1.15	BC	0.03	Vert(TL)	n/a	-	n/a	999		
BCLL	0.0*	Rep Stress Incr	YES	WB	0.15	Horiz(TL)	0.01	22	n/a	n/a		
BCDL	10.0	Code	IRC2015/TPI2014	Matrix-MS								Weight: 294 lb FT = 20%

LUMBER
 TOP CHORD 2x4 SP No.1
 BOT CHORD 2x4 SP No.1
 OTHERS 2x4 SP No.3

BRACING
 TOP CHORD Structural wood sheathing directly applied or 6-0-0 oc purlins, except 2-0-0 oc purlins (6-0-0 max.): 10-13.
 BOT CHORD Rigid ceiling directly applied or 10-0-0 oc bracing.
 WEBS 1 Row at midpt 13-30, 12-31, 11-32, 10-33, 9-34, 14-29

REACTIONS All bearings 38-0-8.
 (lb) - Max Horiz 1=199 (LC 10), 41=199 (LC 10)
 Max Uplift All uplift 100 (lb) or less at joint(s) 1, 23, 24, 25, 26, 27, 28, 29, 31, 32, 34, 35, 36, 37, 38, 39, 40, 41
 Max Grav All reactions 250 (lb) or less at joint(s) 1, 22, 23, 24, 25, 26, 27, 28, 29, 30, 31, 32, 33, 34, 35, 36, 37, 38, 39, 40, 41, 44

MiTek recommends that Stabilizers and required cross bracing be installed during truss erection, in accordance with Stabilizer Installation guide.

FORCES (lb) - Max. Comp./Max. Ten. - All forces 250 (lb) or less except when shown.

- NOTES**
- Unbalanced roof live loads have been considered for this design.
 - Wind: ASCE 7-10; Vult=120mph (3-second gust) Vasd=95mph; TCDL=6.0psf; BCDL=6.0psf; h=30ft; B=20ft; L=38ft; eave=2ft; Cat. II; Exp B; Enclosed; MWFRS (directional) and C-C Corner (3) 0-0-8 to 4-0-8, Exterior (2) 4-0-8 to 16-0-8, Corner (3) 16-0-8 to 20-0-8, Exterior (2) 20-0-8 to 22-0-8, Corner (3) 22-0-8 to 26-0-8, Exterior (2) 26-0-8 to 38-1-0 zone; cantilever left and right exposed; end vertical left and right exposed; C-C for members and forces & MWFRS for reactions shown; Lumber DOL=1.60 plate grip DOL=1.60
 - Truss designed for wind loads in the plane of the truss only. For studs exposed to wind (normal to the face), see Standard Industry Gable End Details as applicable, or consult qualified building designer as per ANSI/TPI 1.
 - Provide adequate drainage to prevent water ponding.
 - All plates are 2x4 MT20 unless otherwise indicated.
 - Gable requires continuous bottom chord bearing.
 - Gable studs spaced at 2-0-0 oc.
 - * This truss has been designed for a live load of 20.0psf on the bottom chord in all areas where a rectangle 3-06-00 tall by 2-00-00 wide will fit between the bottom chord and any other members.
 - Provide mechanical connection (by others) of truss to bearing plate capable of withstanding 100 lb uplift at joint(s) 1, 31, 32, 34, 35, 36, 37, 38, 39, 40, 29, 28, 27, 26, 25, 24, 23, 1.
 - Beveled plate or shim required to provide full bearing surface with truss chord at joint(s) 22, 44.
 - This truss is designed in accordance with the 2015 International Residential Code sections R502.11.1 and R802.10.2 and referenced standard ANSI/TPI 1.
 - Graphical purlin representation does not depict the size or the orientation of the purlin along the top and/or bottom chord.

LOAD CASE(S) Standard

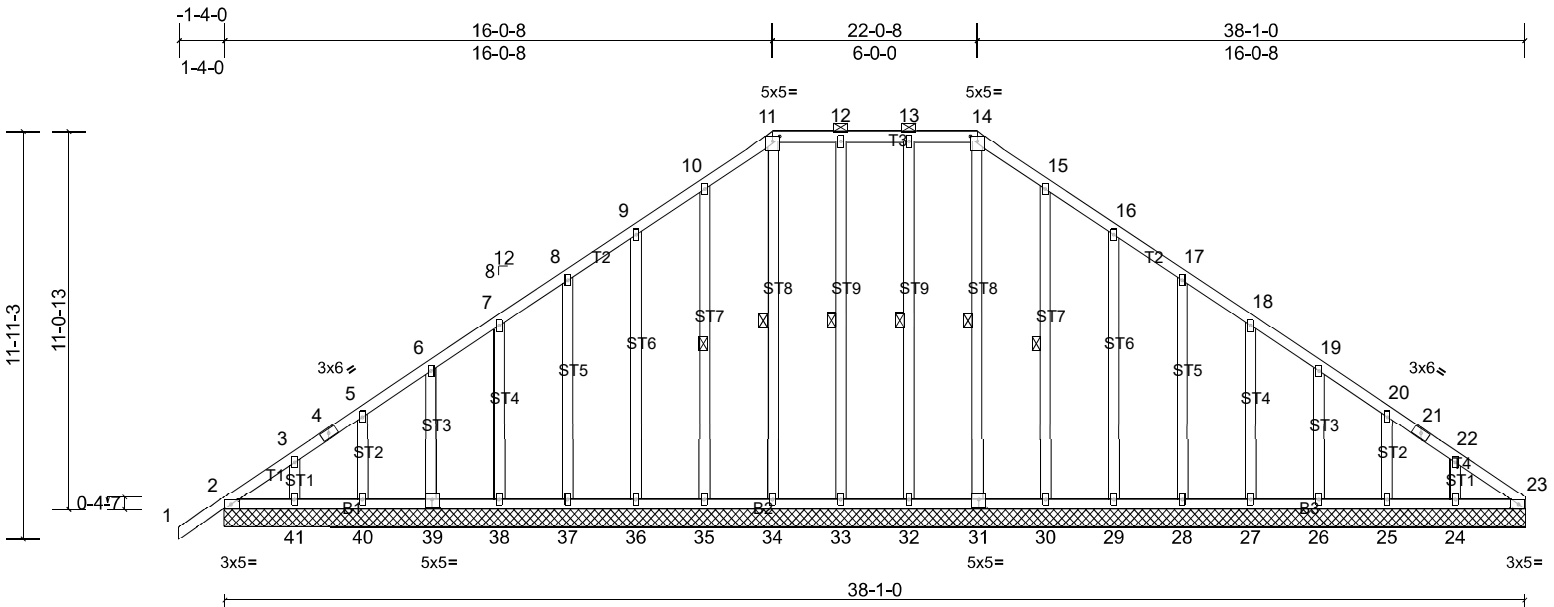
Job Q-2201750-1	Truss T1GE	Truss Type Piggyback Base Supported Gable	Qty 1	Ply 1	Castro House-Castro House Job Reference (optional)
--------------------	---------------	--	----------	----------	---

Peak Truss Builders LLC, New Hill, user

Run: 8.43 S Feb 3 2021 Print: 8.430 S Feb 3 2021 MiTek Industries, Inc. Wed Aug 31 16:19:40

Page: 1

ID:aEAjjik1AtEe2INT8sjUbyyilXQ-ySLGF?l?9lhfp8MEyCa9nrY928OyUqu5rqn?hgyiHyX



Scale = 1:67.5

Plate Offsets (X, Y): [2:0-2-9,0-1-8], [11:0-2-8,0-1-13], [14:0-2-8,0-1-13], [23:0-2-9,0-1-8], [31:0-2-8,0-3-0], [39:0-2-8,0-3-0]

Loading	(psf)	Spacing	2-0-0	CSI	DEFL	in	(loc)	l/defl	L/d	PLATES	GRIP
TCLL (roof)	20.0	Plate Grip DOL	1.15	TC	0.09	Vert(LL)	n/a	-	n/a	999	MT20 244/190
TCDL	10.0	Lumber DOL	1.15	BC	0.03	Vert(CT)	n/a	-	n/a	999	
BCLL	0.0*	Rep Stress Incr	YES	WB	0.15	Horz(CT)	0.01	23	n/a	n/a	
BCDL	10.0	Code	IRC2015/TPI2014	Matrix-MS							Weight: 297 lb FT = 20%

LUMBER
 TOP CHORD 2x4 SP No.1
 BOT CHORD 2x4 SP No.1
 OTHERS 2x4 SP No.3

REACTIONS All bearings 38-1-0.
 (lb) - Max Horiz 2=211 (LC 10), 42=211 (LC 10)
 Max Uplift All uplift 100 (lb) or less at joint(s) 2, 24, 25, 26, 27, 28, 29, 30, 32, 33, 35, 36, 37, 38, 39, 40, 41, 42
 Max Grav All reactions 250 (lb) or less at joint(s) 2, 23, 24, 25, 26, 27, 28, 29, 30, 31, 32, 33, 34, 35, 36, 37, 38, 39, 40, 41, 42, 45

FORCES (lb) - Max. Comp./Max. Ten. - All forces 250 (lb) or less except when shown.

NOTES

- Unbalanced roof live loads have been considered for this design.
- Wind: ASCE 7-10; Vult=120mph (3-second gust) Vasd=95mph; TCDL=6.0psf; BCDL=6.0psf; h=30ft; B=20ft; L=38ft; eave=2ft; Cat. II; Exp B; Enclosed; MWFRS (directional) and C-C Corner (3) -1-4-0 to 2-5-11, Exterior (2) 2-5-11 to 16-0-8, Corner (3) 16-0-8 to 20-0-8, Exterior (2) 20-0-8 to 22-0-8, Corner (3) 22-0-8 to 26-0-8, Exterior (2) 26-0-8 to 38-1-0 zone; cantilever left and right exposed; end vertical left and right exposed; C-C for members and forces & MWFRS for reactions shown; Lumber DOL=1.60 plate grip DOL=1.60
- Truss designed for wind loads in the plane of the truss only. For studs exposed to wind (normal to the face), see Standard Industry Gable End Details as applicable, or consult qualified building designer as per ANSI/TPI 1.
- Provide adequate drainage to prevent water ponding.
- All plates are 2x4 MT20 unless otherwise indicated.
- Gable requires continuous bottom chord bearing.
- Gable studs spaced at 2-0-0 oc.
- * This truss has been designed for a live load of 20.0psf on the bottom chord in all areas where a rectangle 3-06-00 tall by 2-00-00 wide will fit between the bottom chord and any other members.
- Provide mechanical connection (by others) of truss to bearing plate capable of withstanding 100 lb uplift at joint(s) 2, 32, 33, 35, 36, 37, 38, 39, 40, 41, 30, 29, 28, 27, 26, 25, 24, 2.
- Beveled plate or shim required to provide full bearing surface with truss chord at joint(s) 23, 45.
- This truss is designed in accordance with the 2015 International Residential Code sections R502.11.1 and R802.10.2 and referenced standard ANSI/TPI 1.
- Graphical purlin representation does not depict the size or the orientation of the purlin along the top and/or bottom chord.

MiTek recommends that Stabilizers and required cross bracing be installed during truss erection, in accordance with Stabilizer Installation guide.

LOAD CASE(S) Standard

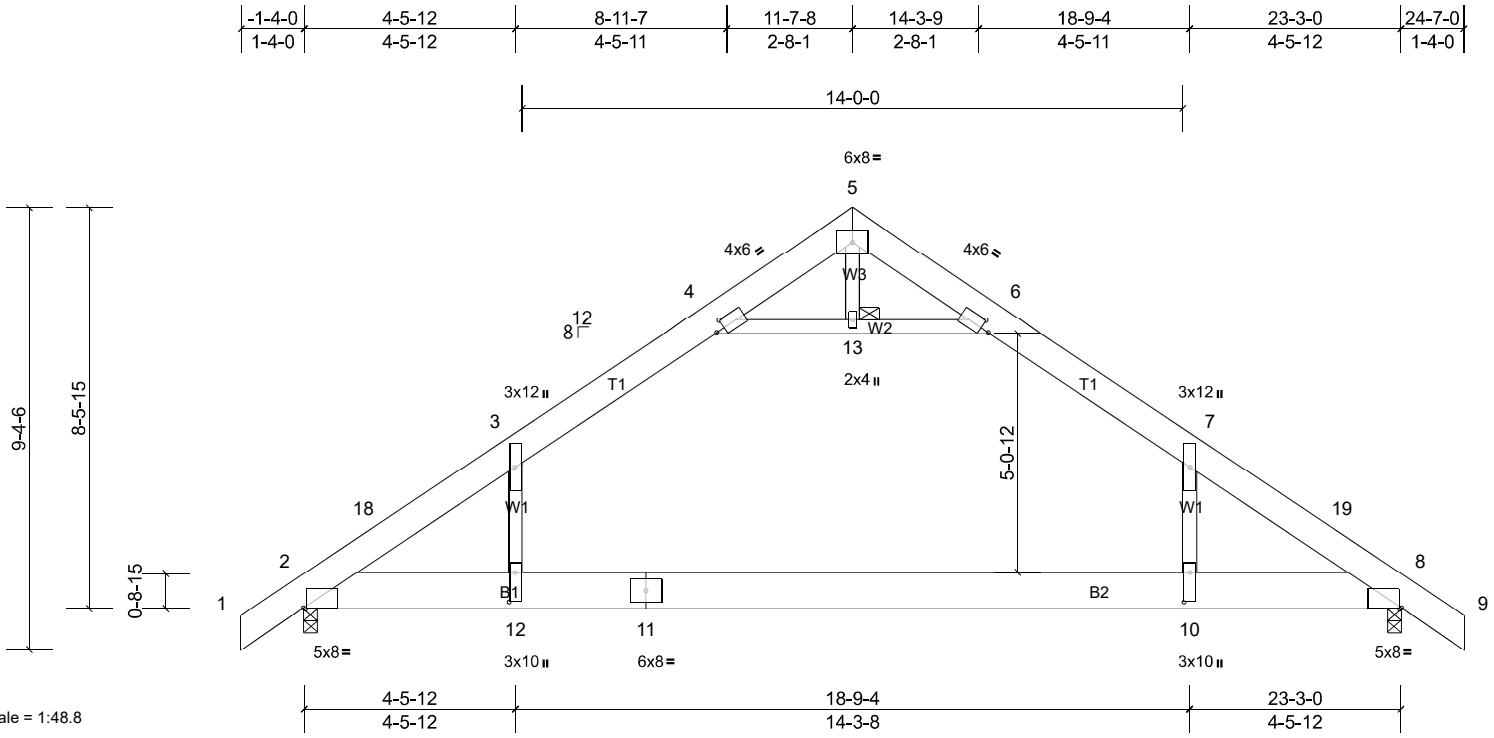
Job Q-2201750-1	Truss T2	Truss Type Attic	Qty 10	Ply 1	Castro House-Castro House Job Reference (optional)
--------------------	-------------	---------------------	-----------	----------	---

Peak Truss Builders LLC, New Hill, user

Run: 8.43 S Feb 3 2021 Print: 8.430 S Feb 3 2021 MiTek Industries, Inc. Wed Aug 31 16:19:41

Page: 1

ID:DX?bgpRNIkbaT3UNoMyWMkyiJls-QeveSLJewbpWQlxQWw5OK256hXX0DADF3UVZE6yiyHyW



Scale = 1:48.8

Plate Offsets (X, Y): [2:0-0-8,Edge], [4:0-2-3,0-2-4], [6:0-2-3,0-2-4], [8:0-0-8,Edge], [10:0-7-8,0-1-8], [12:0-7-8,0-1-8]

Loading	(psf)	Spacing	2-0-0	CSI	DEFL	in	(loc)	l/defl	L/d	PLATES	GRIP	
TCLL (roof)	20.0	Plate Grip DOL	1.15	TC	0.93	Vert(LL)	-0.40	10-12	>696	240	MT20	244/190
TCDL	10.0	Lumber DOL	1.15	BC	0.87	Vert(CT)	-0.55	10-12	>503	180		
BCLL	0.0*	Rep Stress Incr	YES	WB	0.59	Horz(CT)	0.02	8	n/a	n/a		
BCDL	10.0	Code	IRC2015/TPI2014	Matrix-MS		Attic	-0.25	10-12	>698	360		Weight: 208 lb FT = 20%

LUMBER

TOP CHORD 2x8 SP No.1
 BOT CHORD 2x10 SP No.2 *Except* B2:2x10 SP No.1
 WEBS 2x4 SP No.3

BRACING

TOP CHORD Structural wood sheathing directly applied or 2-2-0 oc purlins.
 BOT CHORD Rigid ceiling directly applied or 8-6-8 oc bracing.
 JOINTS 1 Brace at Jt(s): 13

REACTIONS (lb/size) 2=1082/0-3-8, (min. 0-2-3), 8=1082/0-3-8, (min. 0-2-3)
 Max Horiz 2=-155 (LC 9)
 Max Uplift 2=-118 (LC 11), 8=-118 (LC 11)
 Max Grav 2=1410 (LC 17), 8=1410 (LC 18)

MiTek recommends that Stabilizers and required cross bracing be installed during truss erection, in accordance with Stabilizer Installation guide.

FORCES (lb) - Max. Comp./Max. Ten. - All forces 250 (lb) or less except when shown.
 TOP CHORD 2-18=-2139/19, 3-18=-2056/38, 3-4=-1460/160, 4-5=-64/360, 5-6=-64/361, 6-7=-1460/160, 7-19=-2062/37, 8-19=-2145/19
 BOT CHORD 2-12=0/1496, 11-12=0/1503, 10-11=0/1503, 8-10=0/1496
 WEBS 7-10=0/1248, 3-12=0/1237, 4-13=-1843/156, 6-13=-1843/156

NOTES

- Unbalanced roof live loads have been considered for this design.
- Wind: ASCE 7-10; Vult=120mph (3-second gust) Vasd=95mph; TCDL=6.0psf; BCDL=6.0psf; h=30ft; B=20ft; L=23ft; eave=4ft; Cat. II; Exp B; Enclosed; MWFRS (directional) and C-C Exterior (2) -1-4-0 to 1-8-0, Interior (1) 1-8-0 to 11-7-8, Exterior (2) 11-7-8 to 14-8-0, Interior (1) 14-8-0 to 24-7-0 zone; cantilever left and right exposed; end vertical left and right exposed; C-C for members and forces & MWFRS for reactions shown; Lumber DOL=1.60 plate grip DOL=1.60
- * This truss has been designed for a live load of 20.0psf on the bottom chord in all areas where a rectangle 3-06-00 tall by 2-00-00 wide will fit between the bottom chord and any other members.
- Ceiling dead load (5.0 psf) on member(s). 3-4, 6-7, 4-13, 6-13
- Bottom chord live load (40.0 psf) and additional bottom chord dead load (0.0 psf) applied only to room. 10-12
- Provide mechanical connection (by others) of truss to bearing plate capable of withstanding 118 lb uplift at joint 2 and 118 lb uplift at joint 8.
- This truss is designed in accordance with the 2015 International Residential Code sections R502.11.1 and R802.10.2 and referenced standard ANSI/TPI 1.
- Attic room checked for L/360 deflection.

LOAD CASE(S) Standard

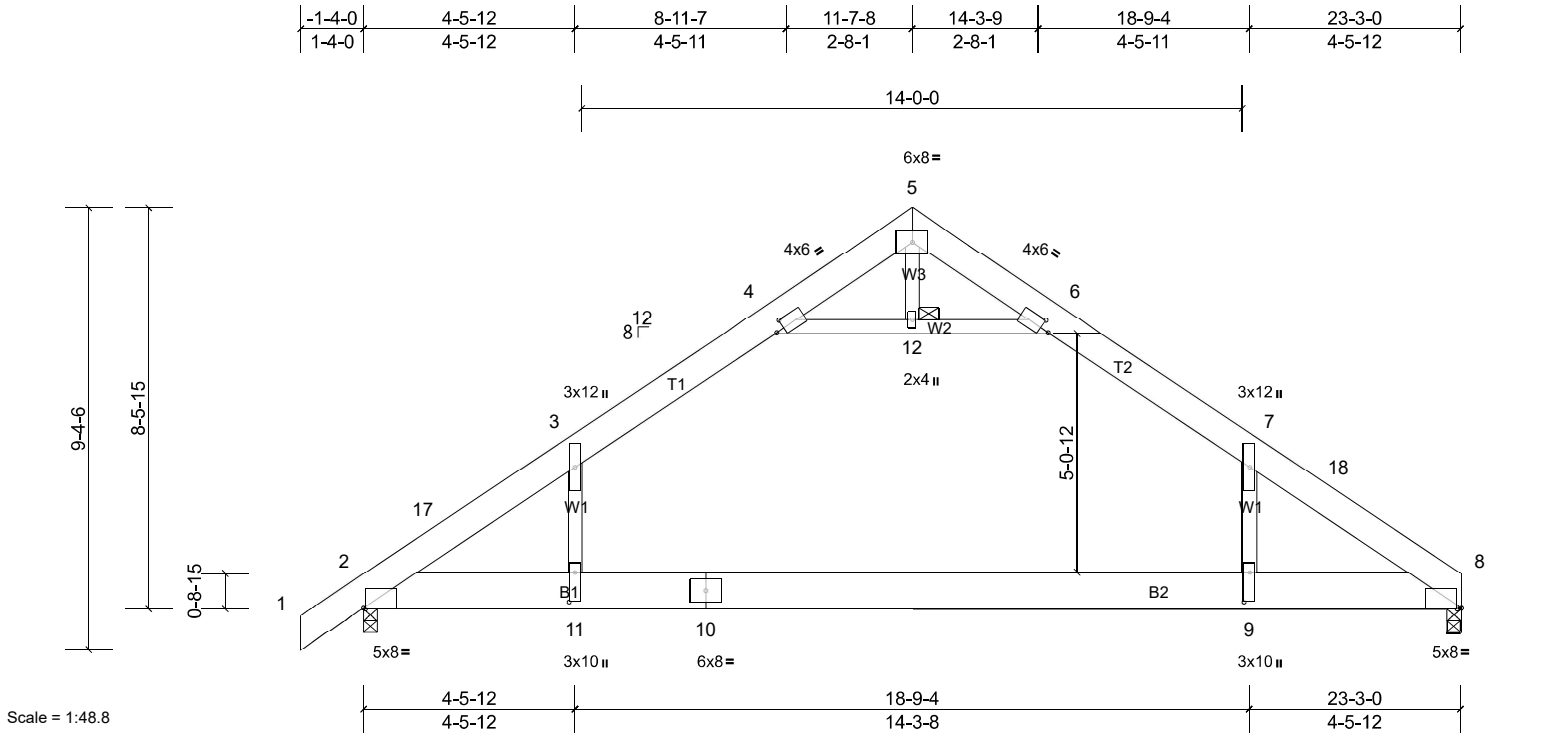
Job Q-2201750-1	Truss T2A	Truss Type Attic	Qty 4	Ply 1	Castro House-Castro House Job Reference (optional)
--------------------	--------------	---------------------	----------	----------	---

Peak Truss Builders LLC, New Hill, user

Run: 8.43 S Feb 3 2021 Print: 8.430 S Feb 3 2021 MiTek Industries, Inc. Wed Aug 31 16:19:41

Page: 1

ID:DX?bgpRNkbaT3UNoMyWMkyiJls-QueveSLJewbpWQlxQWw5OK256fXX?DACF3UVZE6yiHyW



Scale = 1:48.8

Plate Offsets (X, Y): [2:0-0-8,Edge], [4:0-2-3,0-2-4], [6:0-2-3,0-2-4], [8:0-1-0,Edge], [9:0-7-8,0-1-8], [11:0-7-8,0-1-8]

Loading	(psf)	Spacing	2-0-0	CSI	DEFL	in	(loc)	l/defl	L/d	PLATES	GRIP	
TCLL (roof)	20.0	Plate Grip DOL	1.15	TC	0.93	Vert(LL)	-0.40	9-11	>696	240	MT20	244/190
TCDL	10.0	Lumber DOL	1.15	BC	0.87	Vert(CT)	-0.55	9-11	>503	180		
BCLL	0.0*	Rep Stress Incr	YES	WB	0.60	Horz(CT)	0.02	8	n/a	n/a		
BCDL	10.0	Code	IRC2015/TPI2014	Matrix-MS		Attic	-0.25	9-11	>698	360		Weight: 203 lb FT = 20%

LUMBER

TOP CHORD 2x8 SP No.1
 BOT CHORD 2x10 SP No.2 *Except* B2:2x10 SP No.1
 WEBS 2x4 SP No.3

BRACING

TOP CHORD Structural wood sheathing directly applied or 2-2-0 oc purlins.
 BOT CHORD Rigid ceiling directly applied or 8-6-8 oc bracing.
 JOINTS 1 Brace at Jt(s): 12

REACTIONS (lb/size) 2=1084/0-3-8, (min. 0-2-3), 8=999/0-3-8, (min. 0-2-2)
 Max Horiz 2=151 (LC 10)
 Max Uplift 2=-120 (LC 11), 8=-69 (LC 11)
 Max Grav 2=1411 (LC 21), 8=1337 (LC 22)

MiTek recommends that Stabilizers and required cross bracing be installed during truss erection, in accordance with Stabilizer Installation guide.

FORCES (lb) - Max. Comp./Max. Ten. - All forces 250 (lb) or less except when shown.
 TOP CHORD 2-17=-2146/26, 3-17=-2063/44, 3-4=-1464/164, 4-5=-62/361, 5-6=-61/362, 6-7=-1462/164, 7-18=-2066/43, 8-18=-2149/29
 BOT CHORD 2-11=0/1491, 10-11=0/1498, 9-10=0/1498, 8-9=0/1490
 WEBS 7-9=0/1250, 3-11=0/1238, 4-12=-1850/164, 6-12=-1850/164

NOTES

- Unbalanced roof live loads have been considered for this design.
- Wind: ASCE 7-10; Vult=120mph (3-second gust) Vasd=95mph; TCDL=6.0psf; BCDL=6.0psf; h=30ft; B=20ft; L=23ft; eave=4ft; Cat. II; Exp B; Enclosed; MWFRS (directional) and C-C Exterior (2) -1-4-0 to 1-8-0, Interior (1) 1-8-0 to 11-7-8, Exterior (2) 11-7-8 to 14-8-0, Interior (1) 14-8-0 to 23-3-0 zone; cantilever left and right exposed; end vertical left and right exposed; C-C for members and forces & MWFRS for reactions shown; Lumber DOL=1.60 plate grip DOL=1.60
- * This truss has been designed for a live load of 20.0psf on the bottom chord in all areas where a rectangle 3-06-00 tall by 2-00-00 wide will fit between the bottom chord and any other members.
- Ceiling dead load (5.0 psf) on member(s). 3-4, 6-7, 4-12, 6-12
- Bottom chord live load (40.0 psf) and additional bottom chord dead load (0.0 psf) applied only to room. 9-11
- Provide mechanical connection (by others) of truss to bearing plate capable of withstanding 69 lb uplift at joint 8 and 120 lb uplift at joint 2.
- This truss is designed in accordance with the 2015 International Residential Code sections R502.11.1 and R802.10.2 and referenced standard ANSI/TPI 1.
- Attic room checked for L/360 deflection.

LOAD CASE(S) Standard

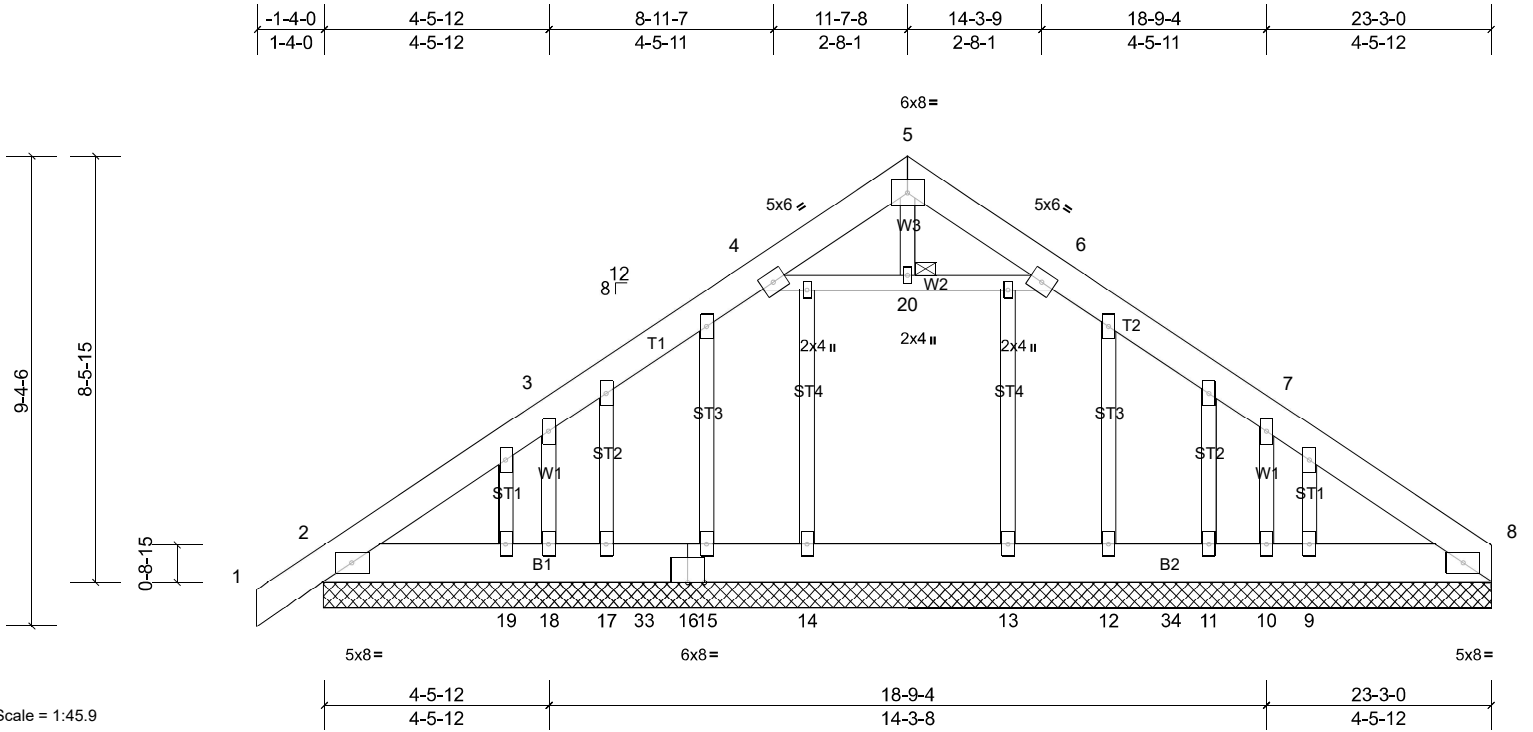
Job Q-2201750-1	Truss T2BGE	Truss Type Attic Supported Gable	Qty 1	Ply 1	Castro House-Castro House Job Reference (optional)
--------------------	----------------	-------------------------------------	----------	----------	---

Peak Truss Builders LLC, New Hill, user

Run: 8.43 S Feb 3 2021 Print: 8.430 S Feb 3 2021 MiTek Industries, Inc. Wed Aug 31 16:19:42

Page: 1

ID:hjZt9S?32kR5D3ZM3TlvxyjJlr-uqS1ghKGhvxM2RWo4dcdtGeUGx3WylXOI8F6mZyIHvY



Scale = 1:45.9

Loading	(psf)	Spacing	2-0-0	CSI	DEFL	in	(loc)	l/defl	L/d	PLATES	GRIP	
TCLL (roof)	20.0	Plate Grip DOL	1.15	TC	0.11	Vert(LL)	n/a	-	n/a	999	MT20	244/190
TCDL	10.0	Lumber DOL	1.15	BC	0.09	Vert(CT)	n/a	-	n/a	999		
BCLL	0.0*	Rep Stress Incr	YES	WB	0.08	Horz(CT)	0.01	8	n/a	n/a		
BCDL	10.0	Code	IRC2015/TPI2014	Matrix-MS								Weight: 245 lb FT = 20%

LUMBER

TOP CHORD 2x8 SP No.2
 BOT CHORD 2x10 SP No.2
 WEBS 2x4 SP No.3
 OTHERS 2x4 SP No.3

BRACING

TOP CHORD Structural wood sheathing directly applied or 6-0-0 oc purlins.
 BOT CHORD Rigid ceiling directly applied or 10-0-0 oc bracing.
 JOINTS 1 Brace at Jt(s): 20

REACTIONS All bearings 23-3-0.

(lb) - Max Horiz 2=151 (LC 10)
 Max Uplift All uplift 100 (lb) or less at joint(s) 8, 9 except 2=-110 (LC 11),
 10=-123 (LC 11), 18=-148 (LC 11)
 Max Grav All reactions 250 (lb) or less at joint(s) 9, 11, 12, 13, 14, 15, 17,
 19 except 2=492 (LC 1), 8=392 (LC 1), 10=269 (LC 22),
 18=296 (LC 21)

FORCES (lb) - Max. Comp./Max. Ten. - All forces 250 (lb) or less except when shown.

TOP CHORD 2-3=-535/92, 3-4=-583/206, 6-7=-583/206, 7-8=-522/91
 BOT CHORD 2-19=-10/416, 18-19=-10/416, 17-18=-9/414, 17-33=-9/414, 16-33=-9/414, 15-16=-9/414, 14-15=-9/414, 13-14=-9/414,
 12-13=-9/414, 12-34=-9/414, 11-34=-9/414, 10-11=-9/414, 9-10=-10/416, 8-9=-10/416
 WEBS 7-10=-346/159, 3-18=-343/156, 4-20=-255/179, 6-20=-255/179

NOTES

- Unbalanced roof live loads have been considered for this design.
- Wind: ASCE 7-10; Vult=120mph (3-second gust) Vasd=95mph; TCDL=6.0psf; BCDL=6.0psf; h=30ft; B=20ft; L=23ft; eave=2ft; Cat. II; Exp B; Enclosed; MWFRS (directional) and C-C Corner (3) 1-4-0 to 1-8-0, Exterior (2) 1-8-0 to 11-7-8, Corner (3) 11-7-8 to 14-8-0, Exterior (2) 14-8-0 to 23-3-0 zone; cantilever left and right exposed; end vertical left and right exposed; C-C for members and forces & MWFRS for reactions shown; Lumber DOL=1.60 plate grip DOL=1.60
- Truss designed for wind loads in the plane of the truss only. For studs exposed to wind (normal to the face), see Standard Industry Gable End Details as applicable, or consult qualified building designer as per ANSI/TPI 1.
- All plates are 3x6 MT20 unless otherwise indicated.
- Gable requires continuous bottom chord bearing.
- Gable studs spaced at 2-0-0 oc.
- * This truss has been designed for a live load of 20.0psf on the bottom chord in all areas where a rectangle 3-06-00 tall by 2-00-00 wide will fit between the bottom chord and any other members, with BCDL = 10.0psf.
- Provide mechanical connection (by others) of truss to bearing plate capable of withstanding 100 lb uplift at joint(s) 8, 9 except (jt=lb) 2=110, 10=122, 18=147.
- This truss is designed in accordance with the 2015 International Residential Code sections R502.11.1 and R802.10.2 and referenced standard ANSI/TPI 1.
- Attic room checked for L/360 deflection.

LOAD CASE(S) Standard

MiTek recommends that Stabilizers and required cross bracing be installed during truss erection, in accordance with Stabilizer Installation guide.

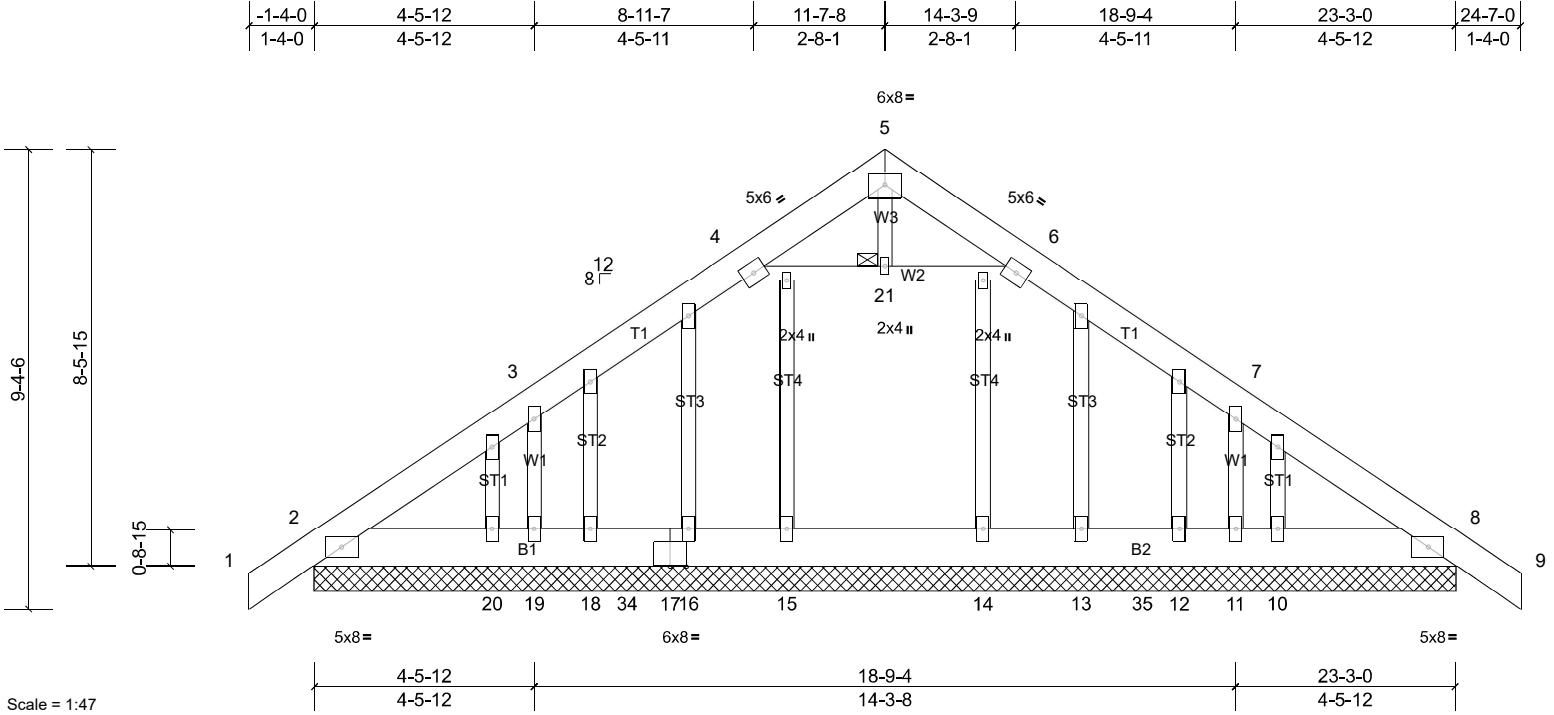
Job Q-2201750-1	Truss T2GE	Truss Type Attic Supported Gable	Qty 1	Ply 1	Castro House-Castro House Job Reference (optional)
--------------------	---------------	-------------------------------------	----------	----------	---

Peak Truss Builders LLC, New Hill, user

Run: 8.43 S Feb 3 2021 Print: 8.430 S Feb 3 2021 MiTek Industries, Inc. Wed Aug 31 16:19:42

Page: 1

ID:hjZzt9S?32kR5D3ZM3TlvxyjJlr-ugS1ghKGhvM2RWc4dcdtGeUHx3gyIYOI8F6mZyIHvY



Loading	(psf)	Spacing	2-0-0	CSI	0.11	DEFL	in	(loc)	l/defl	L/d	PLATES	GRIP
TCLL (roof)	20.0	Plate Grip DOL	1.15	TC	0.11	Vert(LL)	n/a	-	n/a	999	MT20	244/190
TCDL	10.0	Lumber DOL	1.15	BC	0.08	Vert(CT)	n/a	-	n/a	999		
BCLL	0.0*	Rep Stress Incr	YES	WB	0.08	Horz(CT)	0.01	8	n/a	n/a		
BCDL	10.0	Code	IRC2015/TPI2014	Matrix-MS							Weight: 250 lb	FT = 20%

LUMBER
 TOP CHORD 2x8 SP No.2
 BOT CHORD 2x10 SP No.2
 WEBS 2x4 SP No.3
 OTHERS 2x4 SP No.3

BRACING
 TOP CHORD Structural wood sheathing directly applied or 6-0-0 oc purlins.
 BOT CHORD Rigid ceiling directly applied or 10-0-0 oc bracing.
 JOINTS 1 Brace at Jt(s): 21

REACTIONS All bearings 23-3-0.
 (lb) - Max Horiz 2=-155 (LC 9)
 Max Uplift All uplift 100 (lb) or less at joint(s) except 2=-112 (LC 11),
 8=-112 (LC 11), 11=-145 (LC 11), 19=-145 (LC 11)
 Max Grav All reactions 250 (lb) or less at joint(s) 10, 12, 13, 14, 15, 16,
 18, 20 except 2=492 (LC 1), 8=492 (LC 1), 11=296 (LC 22),
 19=296 (LC 21)

MiTek recommends that Stabilizers and required cross bracing be installed during truss erection, in accordance with Stabilizer Installation guide.

FORCES (lb) - Max. Comp./Max. Ten. - All forces 250 (lb) or less except when shown.
 TOP CHORD 2-3=-535/95, 3-4=-584/207, 6-7=-584/207, 7-8=-535/95
 BOT CHORD 2-20=0/417, 19-20=0/417, 18-19=0/415, 18-34=0/415, 17-34=0/415, 16-17=0/415, 15-16=0/415, 14-15=0/415,
 13-14=0/415, 13-35=0/415, 12-35=0/415, 11-12=0/415, 10-11=0/417, 8-10=0/417
 WEBS 7-11=-343/155, 3-19=-343/155, 4-21=-256/182, 6-21=-256/182

- NOTES**
- Unbalanced roof live loads have been considered for this design.
 - Wind: ASCE 7-10; Vult=120mph (3-second gust) Vasd=95mph; TC DL=6.0psf; BCDL=6.0psf; h=30ft; B=20ft; L=23ft; eave=2ft; Cat. II; Exp B; Enclosed; MWFRS (directional) and C-C Corner (3) -1-4-0 to 1-8-0, Exterior (2) 1-8-0 to 11-7-8, Corner (3) 11-7-8 to 14-8-0, Exterior (2) 14-8-0 to 24-7-0 zone; cantilever left and right exposed; end vertical left and right exposed; C-C for members and forces & MWFRS for reactions shown; Lumber DOL=1.60 plate grip DOL=1.60
 - Truss designed for wind loads in the plane of the truss only. For studs exposed to wind (normal to the face), see Standard Industry Gable End Details as applicable, or consult qualified building designer as per ANSI/TPI 1.
 - All plates are 3x6 MT20 unless otherwise indicated.
 - Gable requires continuous bottom chord bearing.
 - Gable studs spaced at 2-0-0 oc.
 - * This truss has been designed for a live load of 20.0psf on the bottom chord in all areas where a rectangle 3-06-00 tall by 2-00-00 wide will fit between the bottom chord and any other members, with BCDL = 10.0psf.
 - Provide mechanical connection (by others) of truss to bearing plate capable of withstanding 111 lb uplift at joint 2, 145 lb uplift at joint 11, 145 lb uplift at joint 19 and 111 lb uplift at joint 8.
 - This truss is designed in accordance with the 2015 International Residential Code sections R502.11.1 and R802.10.2 and referenced standard ANSI/TPI 1.
 - Attic room checked for L/360 deflection.

LOAD CASE(S) Standard

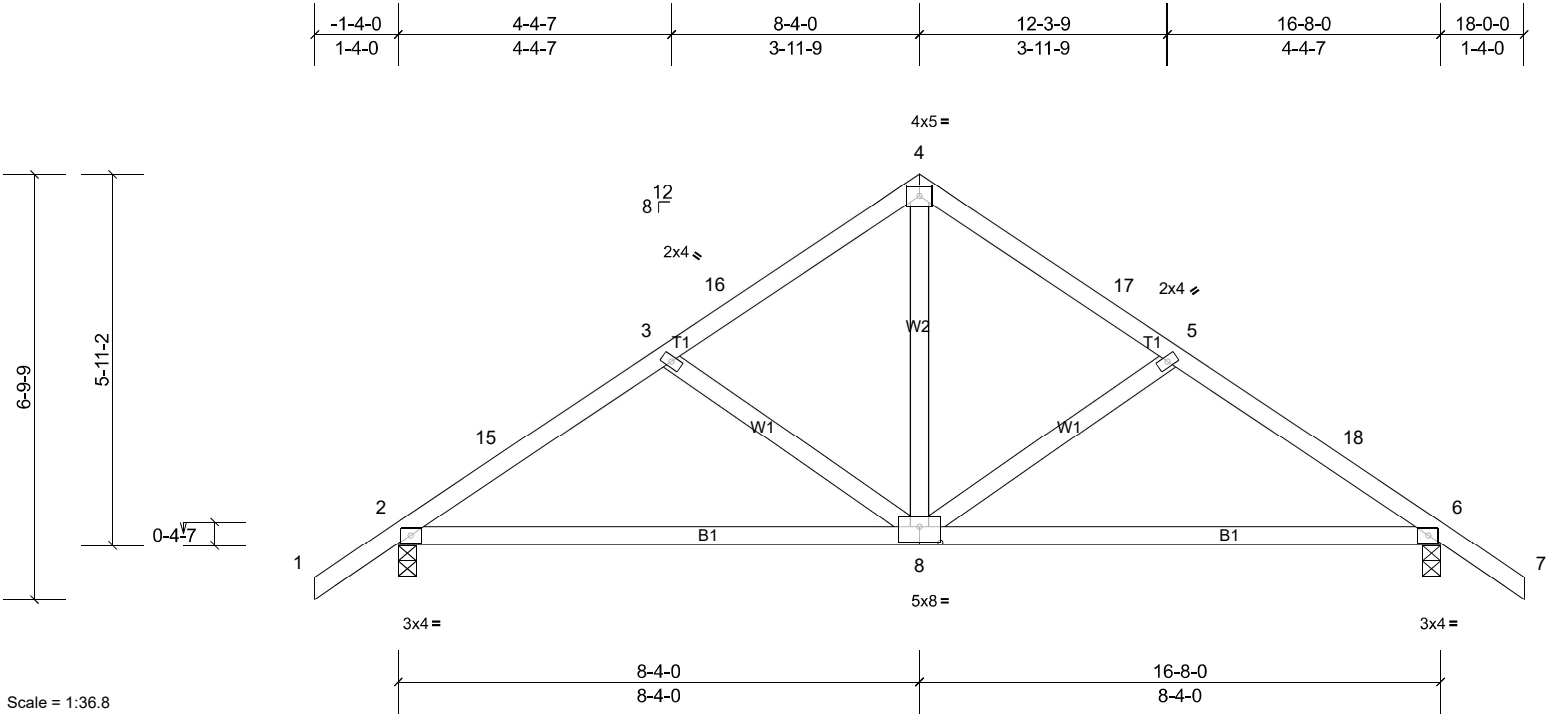
Job Q-2201750-1	Truss T3	Truss Type Common	Qty 1	Ply 1	Castro House-Castro House Job Reference (optional)
--------------------	-------------	----------------------	----------	----------	---

Peak Truss Builders LLC, New Hill, user

Run: 8.43 S Feb 3 2021 Print: 8.430 S Feb 3 2021 MiTek Industries, Inc. Wed Aug 31 16:19:43

Page: 1

ID:WclT8OliiUUMlcWrGHlyhNyiXO-M10Pt1LuSD4Dgb5pdL7sPTAe?LLvhAxYXo_fl?yiHyU



Scale = 1:36.8

Plate Offsets (X, Y): [8:0-4-0,0-3-0]

Loading	(psf)	Spacing	2-0-0	CSI	DEFL	in	(loc)	l/defl	L/d	PLATES	GRIP
TCLL (roof)	20.0	Plate Grip DOL	1.15	TC	0.17	Vert(LL)	-0.02	8-14	>999	240	MT20 244/190
TCDL	10.0	Lumber DOL	1.15	BC	0.33	Vert(CT)	-0.10	8-14	>999	180	
BCLL	0.0*	Rep Stress Incr	YES	WB	0.20	Horz(CT)	0.02	6	n/a	n/a	
BCDL	10.0	Code	IRC2015/TPI2014	Matrix-MS							Weight: 82 lb FT = 20%

LUMBER
 TOP CHORD 2x4 SP No.1
 BOT CHORD 2x4 SP No.1
 WEBS 2x4 SP No.3

BRACING
 TOP CHORD Structural wood sheathing directly applied or 6-0-0 oc purlins.
 BOT CHORD Rigid ceiling directly applied or 10-0-0 oc bracing.

REACTIONS (lb/size) 2=747/0-3-8, (min. 0-1-8), 6=747/0-3-8, (min. 0-1-8)
 Max Horiz 2=115 (LC 10)
 Max Uplift 2=-129 (LC 11), 6=-129 (LC 11)

MiTek recommends that Stabilizers and required cross bracing be installed during truss erection, in accordance with Stabilizer Installation guide.

FORCES (lb) - Max. Comp./Max. Ten. - All forces 250 (lb) or less except when shown.
 TOP CHORD 2-15=-905/123, 3-15=-872/146, 3-16=-698/107, 4-16=-621/127, 4-17=-621/127, 5-17=-698/107, 5-18=-872/146, 6-18=-905/123
 BOT CHORD 2-8=-13/726, 6-8=-13/726
 WEBS 4-8=-41/479, 5-8=-263/126, 3-8=-263/126

- NOTES**
- Unbalanced roof live loads have been considered for this design.
 - Wind: ASCE 7-10; Vult=120mph (3-second gust) Vasd=95mph; TCDL=6.0psf; BCDL=6.0psf; h=30ft; B=20ft; L=20ft; eave=4ft; Cat. II; Exp B; Enclosed; MWFRS (directional) and C-C Exterior (2) -1-4-0 to 1-8-0, Interior (1) 1-8-0 to 8-4-0, Exterior (2) 8-4-0 to 11-4-0, Interior (1) 11-4-0 to 18-0-0 zone; cantilever left and right exposed ; end vertical left and right exposed; C-C for members and forces & MWFRS for reactions shown; Lumber DOL=1.60 plate grip DOL=1.60
 - * This truss has been designed for a live load of 20.0psf on the bottom chord in all areas where a rectangle 3-06-00 tall by 2-00-00 wide will fit between the bottom chord and any other members.
 - Provide mechanical connection (by others) of truss to bearing plate capable of withstanding 129 lb uplift at joint 2 and 129 lb uplift at joint 6.
 - This truss is designed in accordance with the 2015 International Residential Code sections R502.11.1 and R802.10.2 and referenced standard ANSI/TPI 1.

LOAD CASE(S) Standard

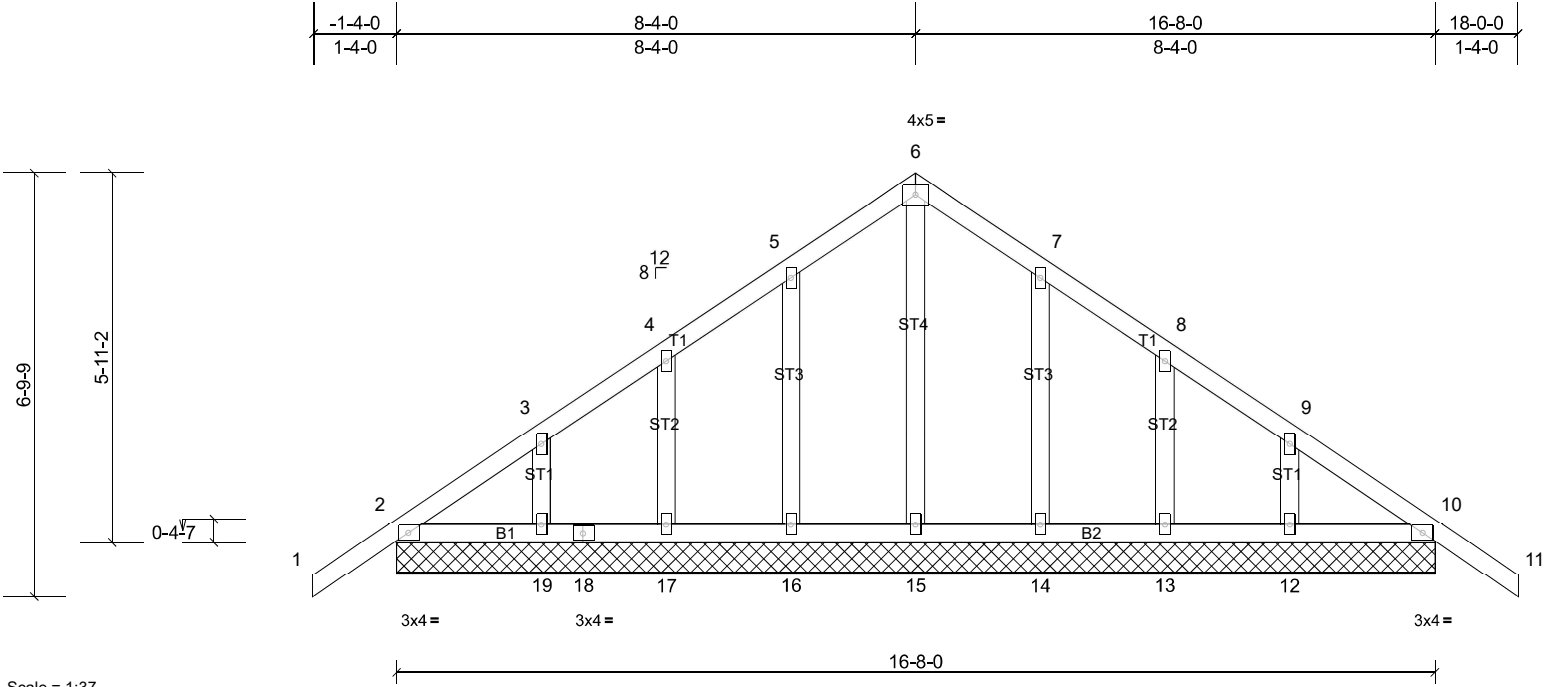
Job Q-2201750-1	Truss T3GE	Truss Type Common Supported Gable	Qty 1	Ply 1	Castro House-Castro House Job Reference (optional)
--------------------	---------------	--------------------------------------	----------	----------	---

Peak Truss Builders LLC, New Hill, user

Run: 8.43 S Feb 3 2021 Print: 8.430 S Feb 3 2021 MiTek Industries, Inc. Wed Aug 31 16:19:43

Page: 1

ID:WclT80IiiUUMlcWrGHlyhNyiiXO-M10Pt1LuSD4Dgb5pdL7sPTAflLQehDAYXo_fl?yihYu



Loading	(psf)	Spacing	2-0-0	CSI		DEFL	in	(loc)	l/defl	L/d	PLATES	GRIP
TCLL (roof)	20.0	Plate Grip DOL	1.15	TC	0.09	Vert(LL)	n/a	-	n/a	999	MT20	244/190
TCDL	10.0	Lumber DOL	1.15	BC	0.03	Vert(CT)	n/a	-	n/a	999		
BCLL	0.0*	Rep Stress Incr	YES	WB	0.05	Horz(CT)	0.00	23	n/a	n/a		
BCDL	10.0	Code	IRC2015/TPI2014	Matrix-MS							Weight: 92 lb	FT = 20%

LUMBER
 TOP CHORD 2x4 SP No.1
 BOT CHORD 2x4 SP No.1
 OTHERS 2x4 SP No.3

BRACING
 TOP CHORD
 BOT CHORD

Structural wood sheathing directly applied or 6-0-0 oc purlins.
 Rigid ceiling directly applied or 10-0-0 oc bracing.

MiTek recommends that Stabilizers and required cross bracing be installed during truss erection, in accordance with Stabilizer Installation guide.

REACTIONS All bearings 16-8-0.
 (lb) - Max Horiz 2=-115 (LC 9), 20=-115 (LC 9)
 Max Uplift All uplift 100 (lb) or less at joint(s) 2, 10, 12, 13, 14, 16, 17, 19, 20, 23
 Max Grav All reactions 250 (lb) or less at joint(s) 2, 10, 12, 13, 14, 15, 16, 17, 19, 20, 23

FORCES (lb) - Max. Comp./Max. Ten. - All forces 250 (lb) or less except when shown.

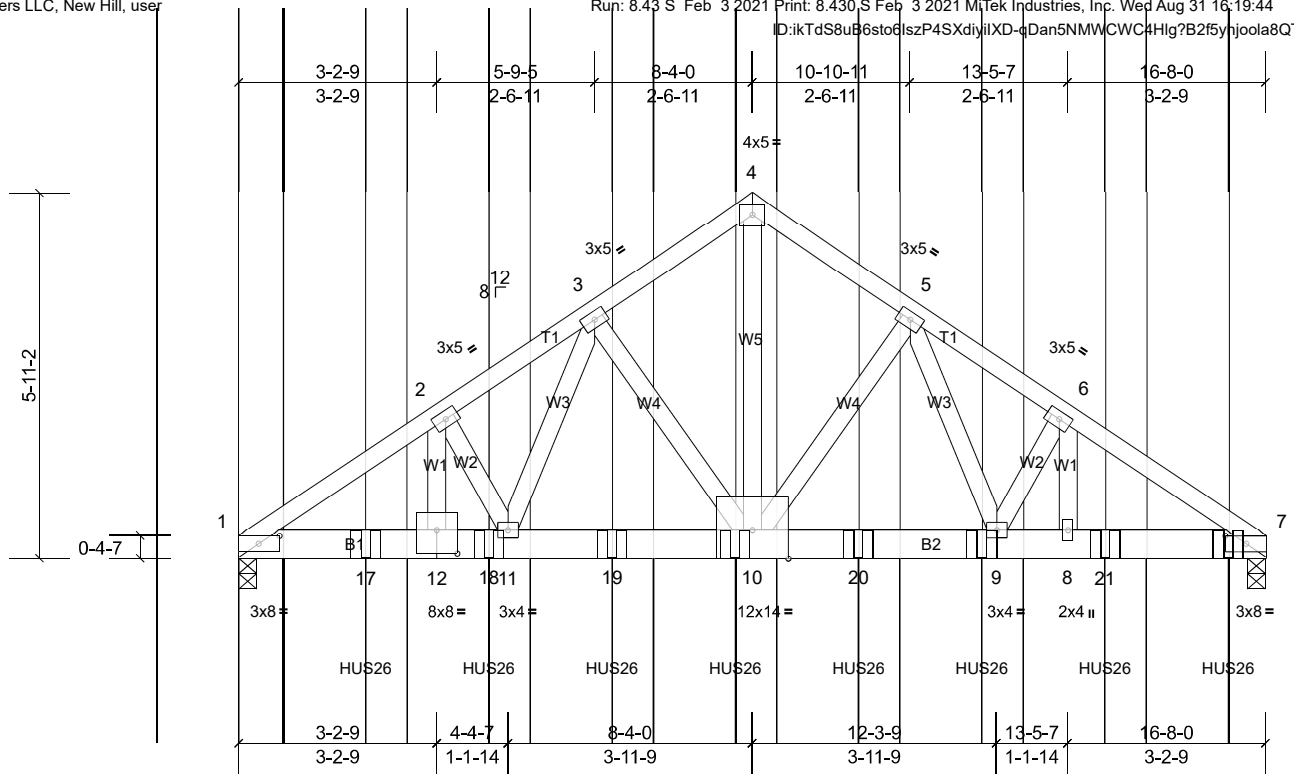
NOTES

- Unbalanced roof live loads have been considered for this design.
- Wind: ASCE 7-10; Vult=120mph (3-second gust) Vasd=95mph; TCDL=6.0psf; BCDL=6.0psf; h=30ft; B=20ft; L=20ft; eave=2ft; Cat. II; Exp B; Enclosed; MWFRS (directional) and C-C Corner (3) -1-4-0 to 1-8-0, Exterior (2) 1-8-0 to 8-4-0, Corner (3) 8-4-0 to 11-4-0, Exterior (2) 11-4-0 to 18-0-0 zone; cantilever left and right exposed; end vertical left and right exposed; C-C for members and forces & MWFRS for reactions shown; Lumber DOL=1.60 plate grip DOL=1.60
- Truss designed for wind loads in the plane of the truss only. For studs exposed to wind (normal to the face), see Standard Industry Gable End Details as applicable, or consult qualified building designer as per ANSI/TPI 1.
- All plates are 2x4 MT20 unless otherwise indicated.
- Gable requires continuous bottom chord bearing.
- Gable studs spaced at 2-0-0 oc.
- * This truss has been designed for a live load of 20.0psf on the bottom chord in all areas where a rectangle 3-06-00 tall by 2-00-00 wide will fit between the bottom chord and any other members.
- Provide mechanical connection (by others) of truss to bearing plate capable of withstanding 100 lb uplift at joint(s) 2, 16, 17, 19, 14, 13, 12, 10, 2, 10.
- This truss is designed in accordance with the 2015 International Residential Code sections R502.11.1 and R802.10.2 and referenced standard ANSI/TPI 1.

LOAD CASE(S) Standard

Job Q-2201750-1	Truss T3GRD	Truss Type Common Girder	Qty 1	Ply 4	Castro House-Castro House
					Job Reference (optional)

Peak Truss Builders LLC, New Hill, user Run: 8.43 S Feb 3 2021 Print: 8.430 S Feb 3 2021 MiTek Industries, Inc. Wed Aug 31 16:19:44 Page: 1
 ID: ikTdS8uB6stodfiszP4SXdijllXD-gDan5NMWCWC#Hlg?B2f5yhjoolaa8QTAhSkDqRyihYt



Scale = 1:37.4

Plate Offsets (X, Y): [1:0-4-1,0-1-8], [7:0-4-1,0-1-8], [12:0-4-0,0-4-8]

Loading	(psf)	Spacing	2-0-0	CSI	DEFL	in (loc)	l/defl	L/d	PLATES	GRIP		
TCLL (roof)	20.0	Plate Grip DOL	1.15	TC	0.23	Vert(LL)	-0.06	9-10	>999	240	MT20	244/190
TCDL	10.0	Lumber DOL	1.15	BC	0.72	Vert(CT)	-0.11	9-10	>999	180		
BCLL	0.0*	Rep Stress Incr	NO	WB	0.84	Horz(CT)	0.04	7	n/a	n/a		
BCDL	10.0	Code	IRC2015/TPI2014	Matrix-MS								Weight: 447 lb FT = 20%

LUMBER

TOP CHORD 2x4 SP No.1
 BOT CHORD 2x6 SP No.2
 WEBS 2x4 SP No.3

BRACING

TOP CHORD Structural wood sheathing directly applied or 6-0-0 oc purlins.
 BOT CHORD Rigid ceiling directly applied or 10-0-0 oc bracing.

REACTIONS (lb/size) 1=6107/0-3-8, (min. 0-2-6), 7=7244/0-3-8, (min. 0-2-14)

Max Horiz 1=100 (LC 6)
 Max Uplift 1=-804 (LC 7), 7=-953 (LC 7)
 Max Grav 1=6128 (LC 12), 7=7283 (LC 13)

FORCES (lb) - Max. Comp./Max. Ten. - All forces 250 (lb) or less except when shown.

TOP CHORD 1-2=-10048/1334, 2-3=-9343/1284, 3-4=-6530/938, 4-5=-6530/938, 5-6=-9566/1313, 6-7=-10380/1381
 BOT CHORD 1-17=-1064/8388, 12-17=-1064/8388, 12-18=-1064/8388, 11-18=-1064/8388, 11-19=-804/6624, 10-19=-804/6624,
 10-20=-816/6669, 9-20=-816/6669, 8-9=-1106/8641, 8-21=-1106/8641, 7-21=-1106/8641
 WEBS 2-12=-154/1251, 2-11=-1224/217, 3-11=-448/3408, 3-10=-2077/336, 4-10=-966/6979, 5-10=-2231/356, 5-9=-484/3686,
 6-9=-1529/256, 6-8=-194/1567

NOTES

- 4-ply truss to be connected together with 10d (0.131"x3") nails as follows:
 Top chords connected as follows: 2x4 - 1 row at 0-9-0 oc.
 Bottom chords connected as follows: 2x6 - 2 rows staggered at 0-4-0 oc.
 Web connected as follows: 2x4 - 1 row at 0-9-0 oc, Except member 4-10 2x4 - 1 row at 0-5-0 oc.
 Attach BC w/ 1/2" diam. bolts (ASTM A-307) in the center of the member w/washers at 4-0-0 oc.
- All loads are considered equally applied to all plies, except if noted as front (F) or back (B) face in the LOAD CASE(S) section. Ply to ply connections have been provided to distribute only loads noted as (F) or (B), unless otherwise indicated.
- Unbalanced roof live loads have been considered for this design.
- Wind: ASCE 7-10; Vult=120mph (3-second gust) Vasd=95mph; TCDL=6.0psf; BCDL=6.0psf; h=30ft; B=20ft; L=20ft; eave=4ft; Cat. II; Exp B; Enclosed; MWFRS (directional); cantilever left and right exposed; end vertical left and right exposed; Lumber DOL=1.60 plate grip DOL=1.60
- * This truss has been designed for a live load of 20.0psf on the bottom chord in all areas where a rectangle 3-06-00 tall by 2-00-00 wide will fit between the bottom chord and any other members.
- Provide mechanical connection (by others) of truss to bearing plate capable of withstanding 804 lb uplift at joint 1 and 953 lb uplift at joint 7.
- This truss is designed in accordance with the 2015 International Residential Code sections R502.11.1 and R802.10.2 and referenced standard ANSI/TPI 1.
- Use USP HUS26 (With 14-16d nails into Girder & 6-16d nails into Truss) or equivalent spaced at 2-0-0 oc max. starting at 2-0-12 from the left end to 16-0-12 to connect truss (es) T1B (1 ply 2x4 SP) to front face of bottom chord.
- Fill all nail holes where hanger is in contact with lumber.

LOAD CASE(S) Standard

- Dead + Roof Live (balanced): Lumber Increase=1.15, Plate Increase=1.15
 Uniform Loads (lb/ft)
 Vert: 1-4=-60, 4-7=-60, 1-7=-20
 Concentrated Loads (lb)
 Vert: 10=-1502 (F), 9=-1502 (F), 16=-1506 (F), 17=-1502 (F), 18=-1502 (F), 19=-1502 (F), 20=-1502 (F), 21=-1502 (F)

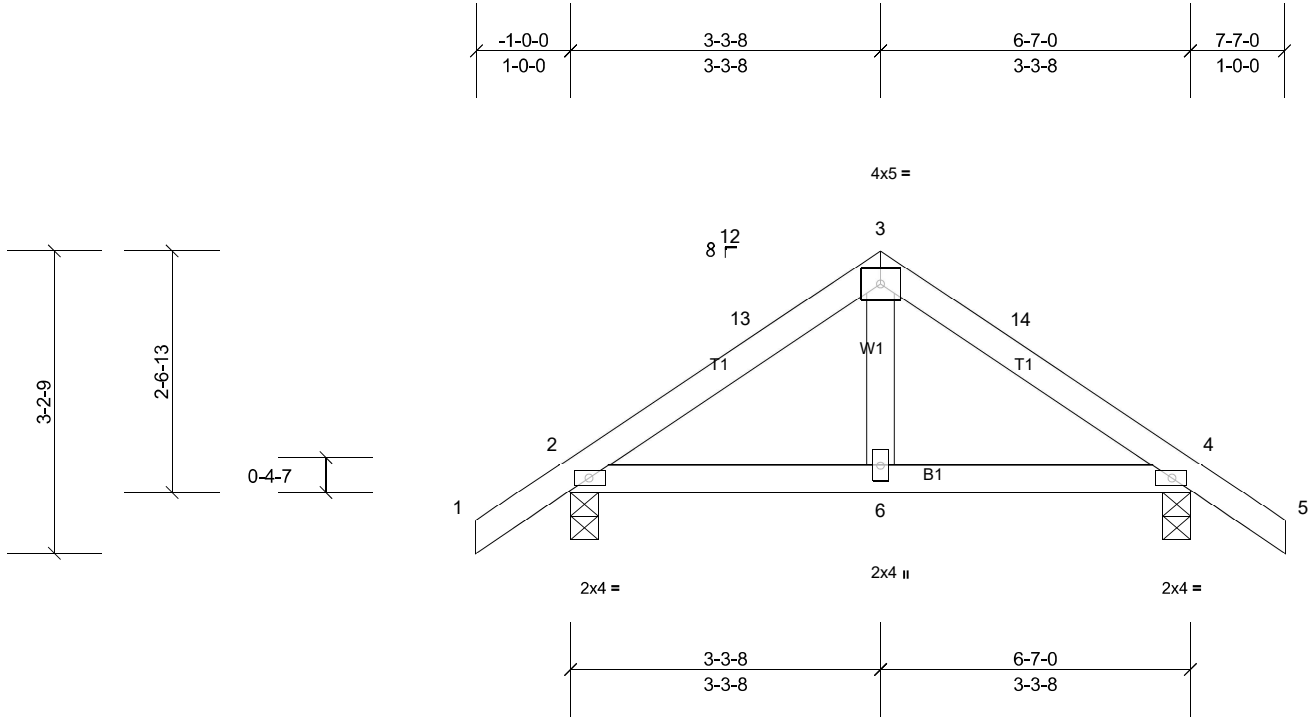
Job Q-2201750-1	Truss T4	Truss Type Common	Qty 5	Ply 1	Castro House-Castro House Job Reference (optional)
--------------------	-------------	----------------------	----------	----------	---

Peak Truss Builders LLC, New Hill, user

Run: 8.43 S Feb 3 2021 Print: 8.430 S Feb 3 2021 MiTek Industries, Inc. Wed Aug 31 16:19:45

Page: 1

ID:WclT80IiUUMlcWrGHlyhNyiIXO-IP89lJM8zqKxvxFBIIAKUuG?n94797pq_6TmNtyiHyS



Scale = 1:24.5

Loading	(psf)	Spacing	2-0-0	CSI	DEFL	in	(loc)	l/defl	L/d	PLATES	GRIP	
TCLL (roof)	20.0	Plate Grip DOL	1.15	TC	0.09	Vert(LL)	0.00	6-12	>999	240	MT20	244/190
TCDL	10.0	Lumber DOL	1.15	BC	0.09	Vert(CT)	-0.01	6-12	>999	180		
BCLL	0.0*	Rep Stress Incr	YES	WB	0.04	Horz(CT)	0.00	4	n/a	n/a		
BCDL	10.0	Code	IRC2015/TPI2014	Matrix-MP							Weight: 29 lb	FT = 20%

LUMBER

TOP CHORD 2x4 SP No.1
 BOT CHORD 2x4 SP No.1
 WEBS 2x4 SP No.3

BRACING

TOP CHORD
 BOT CHORD

Structural wood sheathing directly applied or 6-0-0 oc purlins.
 Rigid ceiling directly applied or 10-0-0 oc bracing.

MiTek recommends that Stabilizers and required cross bracing be installed during truss erection, in accordance with Stabilizer Installation guide.

REACTIONS (lb/size) 2=323/0-3-8, (min. 0-1-8), 4=323/0-3-8, (min. 0-1-8)
 Max Horiz 2=-51 (LC 9)
 Max Uplift 2=-67 (LC 11), 4=-67 (LC 11)

FORCES (lb) - Max. Comp./Max. Ten. - All forces 250 (lb) or less except when shown.
 TOP CHORD 2-13=-289/34, 4-14=-289/34

NOTES

- Unbalanced roof live loads have been considered for this design.
- Wind: ASCE 7-10; Vult=120mph (3-second gust) Vasd=95mph; TC DL=6.0psf; BCDL=6.0psf; h=30ft; B=20ft; L=20ft; eave=4ft; Cat. II; Exp B; Enclosed; MWFRS (directional) and C-C Exterior (2) -1-0-0 to 2-0-0, Interior (1) 2-0-0 to 3-3-8, Exterior (2) 3-3-8 to 6-2-2, Interior (1) 6-2-2 to 7-7-0 zone; cantilever left and right exposed; end vertical left and right exposed; C-C for members and forces & MWFRS for reactions shown; Lumber DOL=1.60 plate grip DOL=1.60
- * This truss has been designed for a live load of 20.0psf on the bottom chord in all areas where a rectangle 3-06-00 tall by 2-00-00 wide will fit between the bottom chord and any other members.
- Provide mechanical connection (by others) of truss to bearing plate capable of withstanding 67 lb uplift at joint 2 and 67 lb uplift at joint 4.
- This truss is designed in accordance with the 2015 International Residential Code sections R502.11.1 and R802.10.2 and referenced standard ANSI/TPI 1.

LOAD CASE(S) Standard

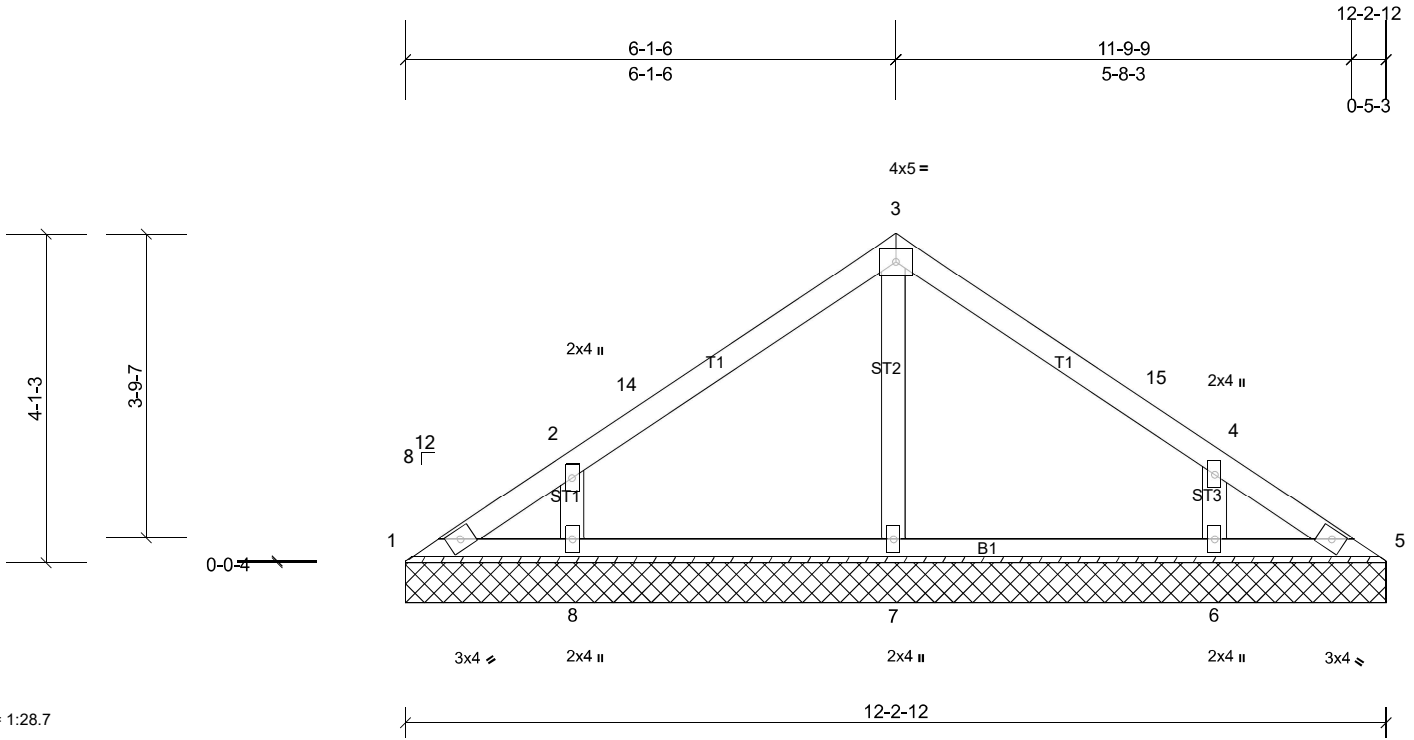
Job Q-2201750-1	Truss V1	Truss Type Valley	Qty 1	Ply 1	Castro House-Castro House Job Reference (optional)
--------------------	-------------	----------------------	----------	----------	---

Peak Truss Builders LLC, New Hill, user

Run: 8.43 S Feb 3 2021 Print: 8.430 S Feb 3 2021 MiTek Industries, Inc. Wed Aug 31 16:19:45

Page: 1

ID: _psrMjmwTocDwm52q_HBDbyilXN-IP89lJM8zqKxvxFBllAKUuG_I95f963q_6TmNtyilHyS



Scale = 1:28.7

Loading	(psf)	Spacing	2-0-0	CSI	DEFL	in	(loc)	l/defl	L/d	PLATES	GRIP	
TCLL (roof)	20.0	Plate Grip DOL	1.15	TC	0.16	Vert(LL)	n/a	-	n/a	999	MT20	244/190
TCDL	10.0	Lumber DOL	1.15	BC	0.06	Vert(TL)	n/a	-	n/a	999		
BCLL	0.0*	Rep Stress Incr	YES	WB	0.09	Horiz(TL)	0.00	5	n/a	n/a		
BCDL	10.0	Code	IRC2015/TPI2014	Matrix-MS							Weight: 46 lb	FT = 20%

LUMBER
 TOP CHORD 2x4 SP No.1
 BOT CHORD 2x4 SP No.1
 OTHERS 2x4 SP No.3

BRACING
 TOP CHORD
 BOT CHORD

Structural wood sheathing directly applied or 6-0-0 oc purlins.
 Rigid ceiling directly applied or 6-0-0 oc bracing.

MiTek recommends that Stabilizers and required cross bracing be installed during truss erection, in accordance with Stabilizer Installation guide.

REACTIONS All bearings 12-2-12.
 (lb) - Max Horiz 1=70 (LC 10)
 Max Uplift All uplift 100 (lb) or less at joint(s) 1, 5, 6, 8, 13
 Max Grav All reactions 250 (lb) or less at joint(s) 1 except 6=312 (LC 21),
 7=376 (LC 1), 8=299 (LC 20)

FORCES (lb) - Max. Comp./Max. Ten. - All forces 250 (lb) or less except when shown.
WEBS 3-7=-294/0

- NOTES**
- Unbalanced roof live loads have been considered for this design.
 - Wind: ASCE 7-10; Vult=120mph (3-second gust) Vasd=95mph; TCDL=6.0psf; BCDL=6.0psf; h=30ft; B=20ft; L=20ft; eave=4ft; Cat. II; Exp B; Enclosed; MWFRS (directional) and C-C Exterior (2) 0-0-6 to 3-0-6, Interior (1) 3-0-6 to 6-1-12, Exterior (2) 6-1-12 to 9-1-12, Interior (1) 9-1-12 to 12-3-2 zone; cantilever left and right exposed; end vertical left and right exposed; C-C for members and forces & MWFRS for reactions shown; Lumber DOL=1.60 plate grip DOL=1.60
 - Gable requires continuous bottom chord bearing.
 - * This truss has been designed for a live load of 20.0psf on the bottom chord in all areas where a rectangle 3-06-00 tall by 2-00-00 wide will fit between the bottom chord and any other members.
 - Provide mechanical connection (by others) of truss to bearing plate capable of withstanding 100 lb uplift at joint(s) 1, 5, 8, 6, 5.
 - This truss is designed in accordance with the 2015 International Residential Code sections R502.11.1 and R802.10.2 and referenced standard ANSI/TPI 1.

LOAD CASE(S) Standard

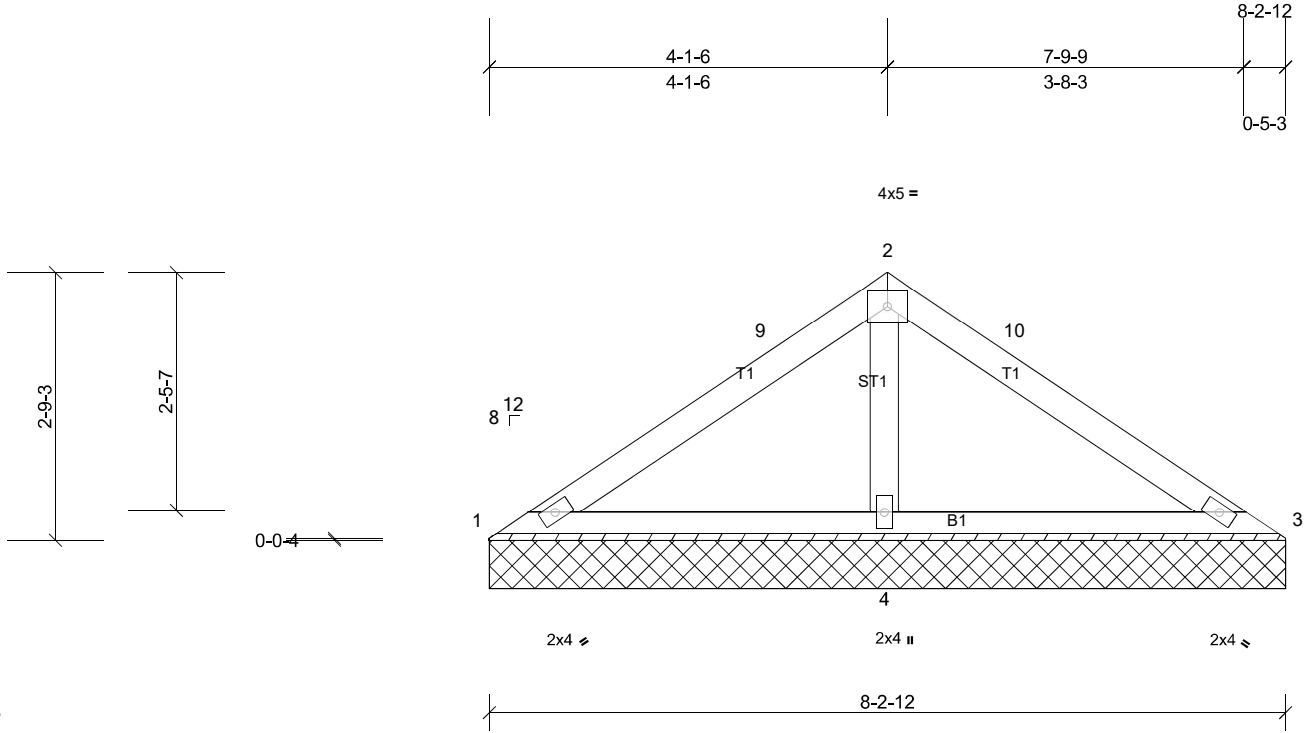
Job Q-2201750-1	Truss V2	Truss Type Valley	Qty 1	Ply 1	Castro House-Castro House Job Reference (optional)
--------------------	-------------	----------------------	----------	----------	---

Peak Truss Builders LLC, New Hill, user

Run: 8.43 S Feb 3 2021 Print: 8.430 S Feb 3 2021 MiTek Industries, Inc. Wed Aug 31 16:19:46

Page: 1

ID:T?QDZ3nYE5k4XwgENhoQmoyilXM-nciXV3NmK8SoX3qQJThZ16o9WYPSuZi_DmDKvKyihYR



Scale = 1:23.8

Loading	(psf)	Spacing	2-0-0	CSI	DEFL	in	(loc)	I/defl	L/d	PLATES	GRIP
TCLL (roof)	20.0	Plate Grip DOL	1.15	TC	0.16	Vert(LL)	n/a	-	n/a	999	244/190
TCDL	10.0	Lumber DOL	1.15	BC	0.15	Vert(TL)	n/a	-	n/a	999	
BCLL	0.0*	Rep Stress Incr	YES	WB	0.09	Horiz(TL)	0.00	3	n/a	n/a	
BCDL	10.0	Code	IRC2015/TPI2014	Matrix-MP							Weight: 29 lb FT = 20%

LUMBER

TOP CHORD 2x4 SP No.1
 BOT CHORD 2x4 SP No.1
 OTHERS 2x4 SP No.3

BRACING

TOP CHORD
 BOT CHORD

Structural wood sheathing directly applied or 8-2-12 oc purlins.
 Rigid ceiling directly applied or 6-0-0 oc bracing.

REACTIONS (lb/size) 1=36/8-2-12, (min. 0-1-8), 3=41/8-2-12, (min. 0-1-8),
 4=581/8-2-12, (min. 0-1-8)
 Max Horiz 1=-46 (LC 9)
 Max Uplift 1=-14 (LC 21), 3=-11 (LC 20), 4=-98 (LC 11)
 Max Grav 1=68 (LC 20), 3=72 (LC 21), 4=581 (LC 1)

FORCES (lb) - Max. Comp./Max. Ten. - All forces 250 (lb) or less except when shown.
 TOP CHORD 2-9=-42/258, 2-10=-40/252
 WEBS 2-4=-419/105

NOTES

- Unbalanced roof live loads have been considered for this design.
- Wind: ASCE 7-10; Vult=120mph (3-second gust) Vasd=95mph; TC DL=6.0psf; BCDL=6.0psf; h=30ft; B=20ft; L=20ft; eave=4ft; Cat. II; Exp B; Enclosed; MWFRS (directional) and C-C Exterior (2) 0-0-6 to 3-0-6, Interior (1) 3-0-6 to 4-1-12, Exterior (2) 4-1-12 to 7-3-15, Interior (1) 7-3-15 to 8-3-2 zone; cantilever left and right exposed; end vertical left and right exposed; C-C for members and forces & MWFRS for reactions shown; Lumber DOL=1.60 plate grip DOL=1.60
- Gable requires continuous bottom chord bearing.
- * This truss has been designed for a live load of 20.0psf on the bottom chord in all areas where a rectangle 3-06-00 tall by 2-00-00 wide will fit between the bottom chord and any other members.
- Provide mechanical connection (by others) of truss to bearing plate capable of withstanding 14 lb uplift at joint 1, 11 lb uplift at joint 3 and 98 lb uplift at joint 4.
- This truss is designed in accordance with the 2015 International Residential Code sections R502.11.1 and R802.10.2 and referenced standard ANSI/TPI 1.

LOAD CASE(S) Standard

MiTek recommends that Stabilizers and required cross bracing be installed during truss erection, in accordance with Stabilizer Installation guide.

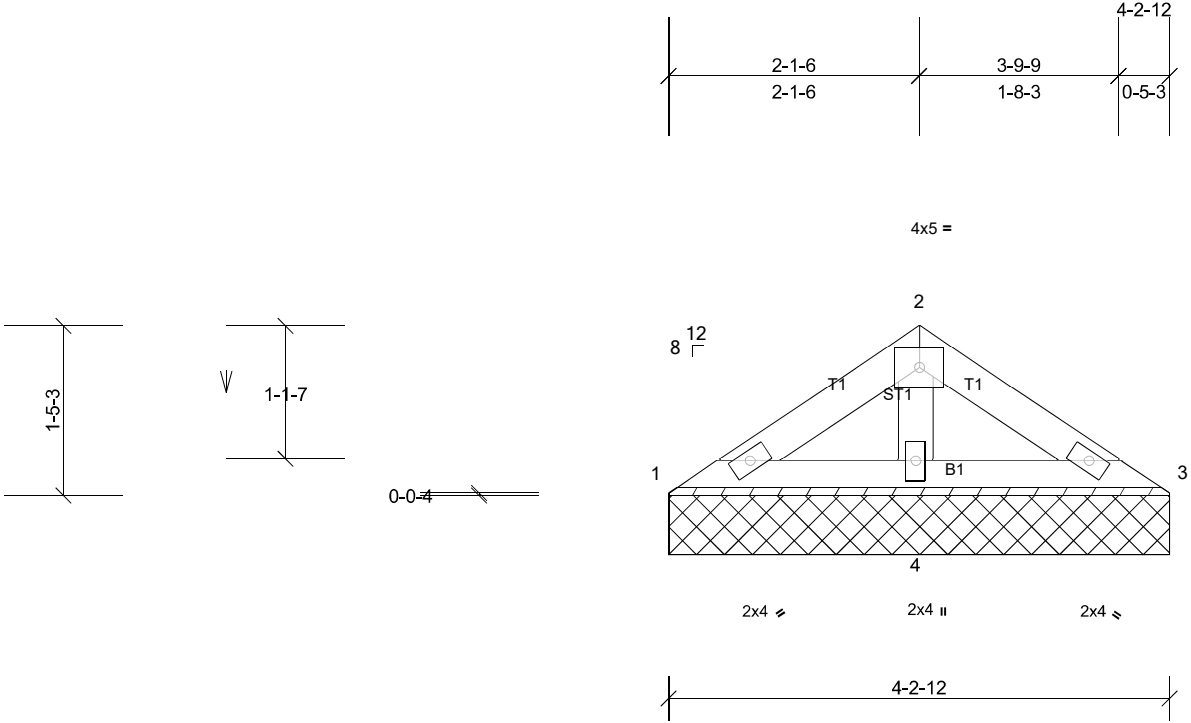
Job Q-2201750-1	Truss V3	Truss Type Valley	Qty 1	Ply 1	Castro House-Castro House Job Reference (optional)
--------------------	-------------	----------------------	----------	----------	---

Peak Truss Builders LLC, New Hill, user

Run: 8.43 S Feb 3 2021 Print: 8.430 S Feb 3 2021 MiTek Industries, Inc. Wed Aug 31 16:19:46

Page: 1

ID:T?QDZ3nYE5k4XwgENhoQmoyilXM-nciXV3Nmk8SoX3qOJThZ16oBWYRBuaK_DmDKvKyIHyr



Scale = 1:19.4

Loading	(psf)	Spacing	2-0-0	CSI	DEFL	in	(loc)	l/defl	L/d	PLATES	GRIP	
TCLL (roof)	20.0	Plate Grip DOL	1.15	TC	0.03	Vert(LL)	n/a	-	n/a	999	MT20	244/190
TCDL	10.0	Lumber DOL	1.15	BC	0.04	Vert(TL)	n/a	-	n/a	999		
BCLL	0.0*	Rep Stress Incr	YES	WB	0.03	Horiz(TL)	0.00	3	n/a	n/a		
BCDL	10.0	Code	IRC2015/TPI2014	Matrix-MP							Weight: 13 lb	FT = 20%

LUMBER

TOP CHORD 2x4 SP No.1
 BOT CHORD 2x4 SP No.1
 OTHERS 2x4 SP No.3

BRACING

TOP CHORD
 BOT CHORD

Structural wood sheathing directly applied or 4-2-12 oc purlins.
 Rigid ceiling directly applied or 6-0-0 oc bracing.

REACTIONS (lb/size) 1=49/4-2-12, (min. 0-1-8), 3=52/4-2-12, (min. 0-1-8),
 4=238/4-2-12, (min. 0-1-8)
 Max Horiz 1=-22 (LC 9)
 Max Uplift 1=-6 (LC 11), 3=-6 (LC 11), 4=-30 (LC 11)
 Max Grav 1=57 (LC 20), 3=60 (LC 21), 4=238 (LC 1)

MiTek recommends that Stabilizers and required cross bracing be installed during truss erection, in accordance with Stabilizer Installation guide.

FORCES (lb) - Max. Comp./Max. Ten. - All forces 250 (lb) or less except when shown.

NOTES

- Unbalanced roof live loads have been considered for this design.
- Wind: ASCE 7-10; Vult=120mph (3-second gust) Vasd=95mph; TCCL=6.0psf; BCDL=6.0psf; h=30ft; B=20ft; L=20ft; eave=4ft; Cat. II; Exp B; Enclosed; MWFRS (directional) and C-C Exterior (2) zone; cantilever left and right exposed; end vertical left and right exposed; C-C for members and forces & MWFRS for reactions shown; Lumber DOL=1.60 plate grip DOL=1.60
- Gable requires continuous bottom chord bearing.
- * This truss has been designed for a live load of 20.0psf on the bottom chord in all areas where a rectangle 3-06-00 tall by 2-00-00 wide will fit between the bottom chord and any other members.
- Provide mechanical connection (by others) of truss to bearing plate capable of withstanding 6 lb uplift at joint 1, 6 lb uplift at joint 3 and 30 lb uplift at joint 4.
- This truss is designed in accordance with the 2015 International Residential Code sections R502.11.1 and R802.10.2 and referenced standard ANSI/TPI 1.

LOAD CASE(S) Standard

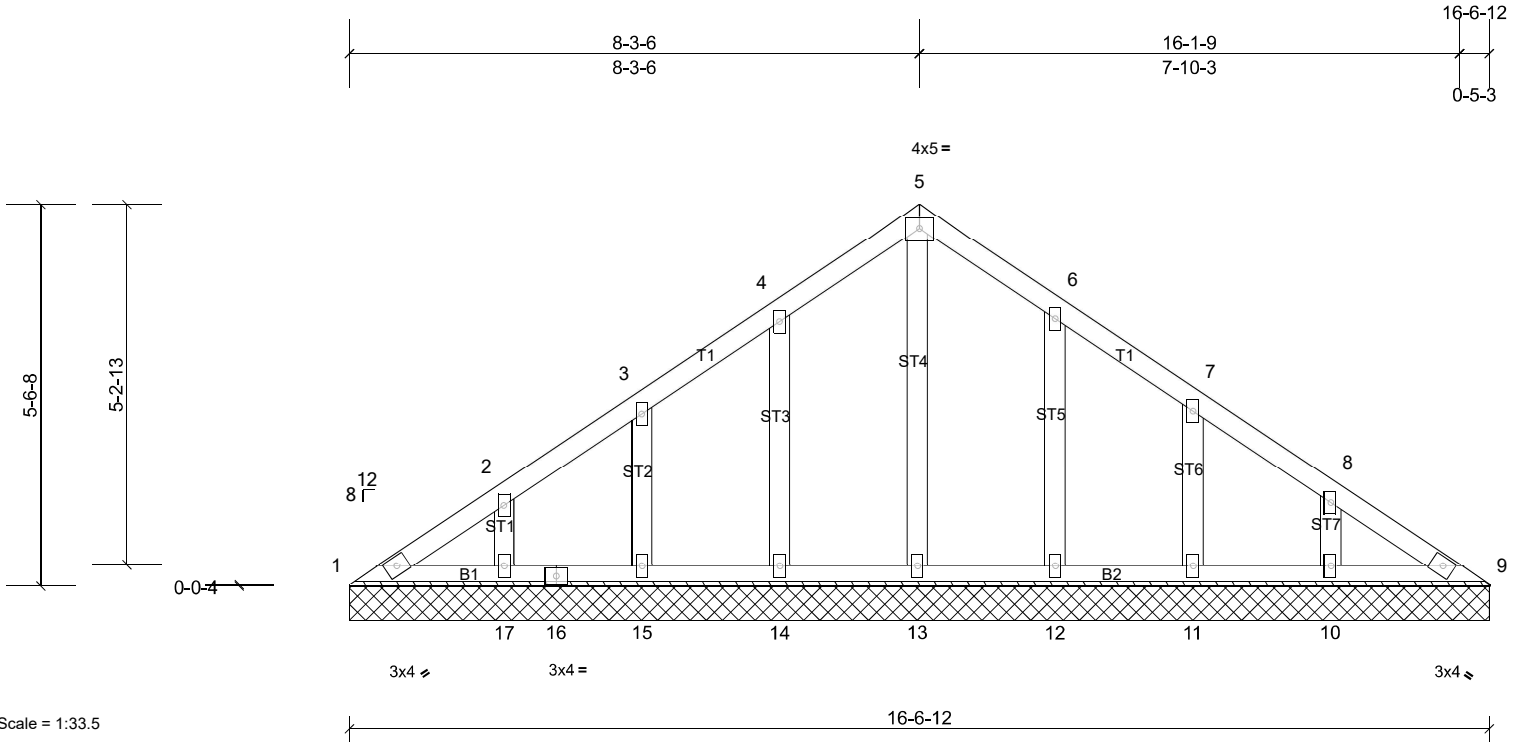
Job Q-2201750-1	Truss V4	Truss Type Valley	Qty 1	Ply 1	Castro House-Castro House Job Reference (optional)
--------------------	-------------	----------------------	----------	----------	---

Peak Truss Builders LLC, New Hill, user

Run: 8.43 S Feb 3 2021 Print: 8.430 S Feb 3 2021 MiTek Industries, Inc. Wed Aug 31 16:19:47

Page: 1

ID:T?QDZ3nYE5k4XwgENhoQmoyilXM-FoGwjPOOVraF8DPasACoaJLM1ynTd157SQyIRmyiHyQ



Scale = 1:33.5

Loading	(psf)	Spacing	2-0-0	CSI	DEFL	in	(loc)	l/defl	L/d	PLATES	GRIP	
TCLL (roof)	20.0	Plate Grip DOL	1.15	TC	0.04	Vert(LL)	n/a	-	n/a	999	MT20	244/190
TCDL	10.0	Lumber DOL	1.15	BC	0.04	Vert(TL)	n/a	-	n/a	999		
BCLL	0.0*	Rep Stress Incr	YES	WB	0.06	Horiz(TL)	0.00	9	n/a	n/a		
BCDL	10.0	Code	IRC2015/TPI2014	Matrix-MS							Weight: 81 lb	FT = 20%

LUMBER

TOP CHORD 2x4 SP No.1
 BOT CHORD 2x4 SP No.1
 OTHERS 2x4 SP No.3

BRACING

TOP CHORD
 BOT CHORD

Structural wood sheathing directly applied or 6-0-0 oc purlins.
 Rigid ceiling directly applied or 6-0-0 oc bracing.

MiTek recommends that Stabilizers and required cross bracing be installed during truss erection, in accordance with Stabilizer Installation guide.

REACTIONS All bearings 16-6-12.

(lb) - Max Horiz 1=-96 (LC 9)
 Max Uplift All uplift 100 (lb) or less at joint(s) 10, 11, 12, 14, 15, 17
 Max Grav All reactions 250 (lb) or less at joint(s) 1, 9, 10, 11, 12, 13, 14, 15, 17

FORCES (lb) - Max. Comp./Max. Ten. - All forces 250 (lb) or less except when shown.

NOTES

- Unbalanced roof live loads have been considered for this design.
- Wind: ASCE 7-10; Vult=120mph (3-second gust) Vasd=95mph; TCCL=6.0psf; BCDL=6.0psf; h=30ft; B=20ft; L=20ft; eave=2ft; Cat. II; Exp B; Enclosed; MWFRS (directional) and C-C Corner (3) 0-0-6 to 3-0-6, Exterior (2) 3-0-6 to 8-3-12, Corner (3) 8-3-12 to 11-3-12, Exterior (2) 11-3-12 to 16-7-2 zone; cantilever left and right exposed; end vertical left and right exposed; C-C for members and forces & MWFRS for reactions shown; Lumber DOL=1.60 plate grip DOL=1.60
- Truss designed for wind loads in the plane of the truss only. For studs exposed to wind (normal to the face), see Standard Industry Gable End Details as applicable, or consult qualified building designer as per ANSI/TPI 1.
- All plates are 2x4 MT20 unless otherwise indicated.
- Gable requires continuous bottom chord bearing.
- Gable studs spaced at 2-0-0 oc.
- * This truss has been designed for a live load of 20.0psf on the bottom chord in all areas where a rectangle 3-06-00 tall by 2-00-00 wide will fit between the bottom chord and any other members.
- Provide mechanical connection (by others) of truss to bearing plate capable of withstanding 100 lb uplift at joint(s) 14, 15, 17, 12, 11, 10.
- This truss is designed in accordance with the 2015 International Residential Code sections R502.11.1 and R802.10.2 and referenced standard ANSI/TPI 1.

LOAD CASE(S) Standard

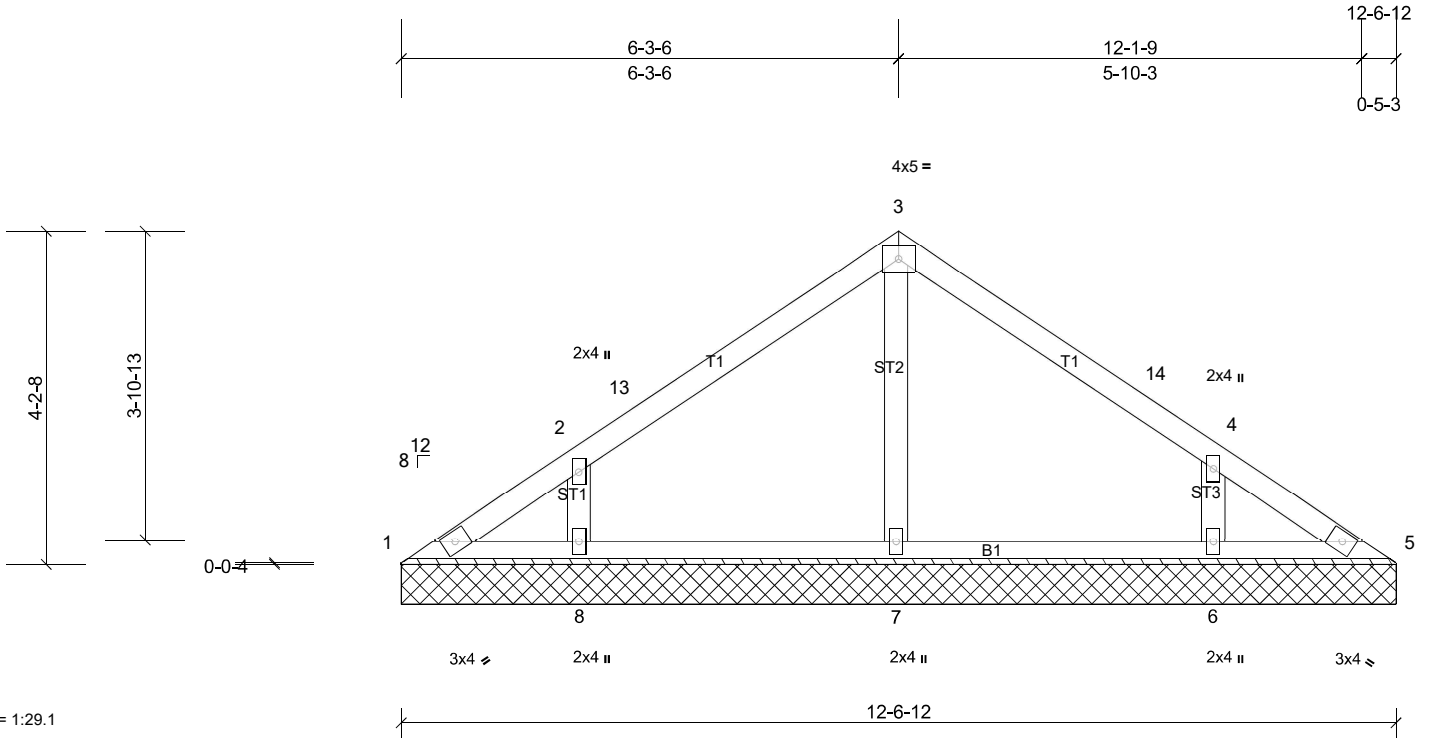
Job Q-2201750-1	Truss V5	Truss Type Valley	Qty 1	Ply 1	Castro House-Castro House Job Reference (optional)
--------------------	-------------	----------------------	----------	----------	---

Peak Truss Builders LLC, New Hill, user

Run: 8.43 S Feb 3 2021 Print: 8.430 S Feb 3 2021 MiTek Industries, Inc. Wed Aug 31 16:19:47

Page: 1

ID:T?QDZ3nYE5k4XwgENhoQmoyilXM-FoGwjPOOVRAF8DPasACoaJLKZyn3d137SQyTRmyiHyQ



Scale = 1:29.1

Loading	(psf)	Spacing	2-0-0	CSI	DEFL	in	(loc)	l/defl	L/d	PLATES	GRIP	
TCLL (roof)	20.0	Plate Grip DOL	1.15	TC	0.14	Vert(LL)	n/a	-	n/a	999	MT20	244/190
TCDL	10.0	Lumber DOL	1.15	BC	0.06	Vert(TL)	n/a	-	n/a	999		
BCLL	0.0*	Rep Stress Incr	YES	WB	0.06	Horiz(TL)	0.00	5	n/a	n/a		
BCDL	10.0	Code	IRC2015/TPI2014	Matrix-MS							Weight: 48 lb	FT = 20%

LUMBER

TOP CHORD 2x4 SP No.1
 BOT CHORD 2x4 SP No.1
 OTHERS 2x4 SP No.3

BRACING

TOP CHORD
 BOT CHORD

Structural wood sheathing directly applied or 6-0-0 oc purlins.
 Rigid ceiling directly applied or 10-0-0 oc bracing.

MiTek recommends that Stabilizers and required cross bracing be installed during truss erection, in accordance with Stabilizer Installation guide.

REACTIONS All bearings 12-6-12.

(lb) - Max Horiz 1=-72 (LC 9)
 Max Uplift All uplift 100 (lb) or less at joint(s) 6, 8
 Max Grav All reactions 250 (lb) or less at joint(s) 1, 5 except 6=309 (LC 21), 7=266 (LC 1), 8=310 (LC 20)

FORCES (lb) - Max. Comp./Max. Ten. - All forces 250 (lb) or less except when shown.

NOTES

- Unbalanced roof live loads have been considered for this design.
- Wind: ASCE 7-10; Vult=120mph (3-second gust) Vasd=95mph; TCCL=6.0psf; BCDL=6.0psf; h=30ft; B=20ft; L=20ft; eave=4ft; Cat. II; Exp B; Enclosed; MWFRS (directional) and C-C Exterior (2) 0-0-6 to 3-0-6, Interior (1) 3-0-6 to 6-3-12, Exterior (2) 6-3-12 to 9-3-12, Interior (1) 9-3-12 to 12-7-2 zone; cantilever left and right exposed; end vertical left and right exposed; C-C for members and forces & MWFRS for reactions shown; Lumber DOL=1.60 plate grip DOL=1.60
- Gable requires continuous bottom chord bearing.
- * This truss has been designed for a live load of 20.0psf on the bottom chord in all areas where a rectangle 3-06-00 tall by 2-00-00 wide will fit between the bottom chord and any other members.
- Provide mechanical connection (by others) of truss to bearing plate capable of withstanding 100 lb uplift at joint(s) 8, 6.
- This truss is designed in accordance with the 2015 International Residential Code sections R502.11.1 and R802.10.2 and referenced standard ANSI/TPI 1.

LOAD CASE(S) Standard

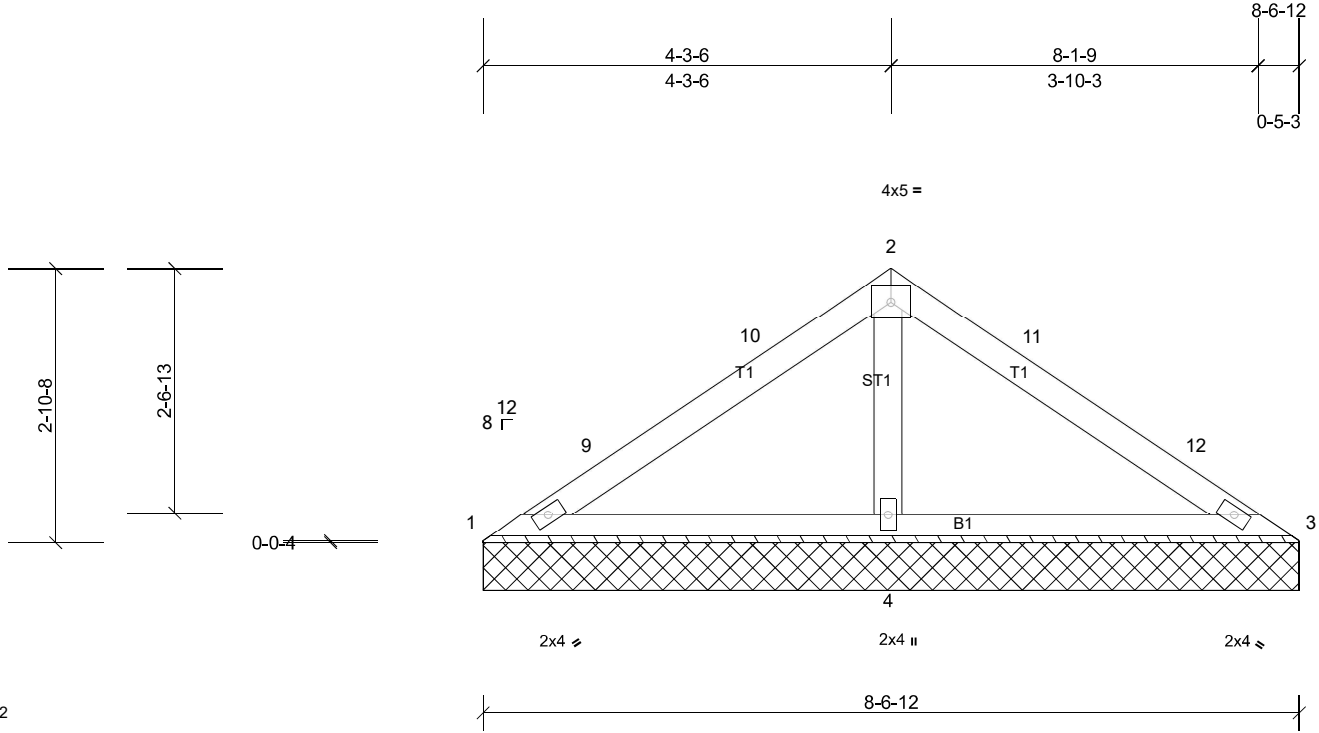
Job Q-2201750-1	Truss V6	Truss Type Valley	Qty 1	Ply 1	Castro House-Castro House Job Reference (optional)
--------------------	-------------	----------------------	----------	----------	---

Peak Truss Builders LLC, New Hill, user

Run: 8.43 S Feb 3 2021 Print: 8.430 S Feb 3 2021 MiTek Industries, Inc. Wed Aug 31 16:19:48

Page: 1

ID:T?QDZ3nYE5k4XwgENhoQmoyilXM-j_qIwIP1GiiWmMzmQuj16XtVmM5kMTgHg4iQzCyIHYP



Scale = 1:24.2

Loading	(psf)	Spacing	2-0-0	CSI		DEFL	in	(loc)	l/defl	L/d	PLATES	GRIP
TCLL (roof)	20.0	Plate Grip DOL	1.15	TC	0.17	Vert(LL)	n/a	-	n/a	999	MT20	244/190
TCDL	10.0	Lumber DOL	1.15	BC	0.16	Vert(TL)	n/a	-	n/a	999		
BCLL	0.0*	Rep Stress Incr	YES	WB	0.10	Horiz(TL)	0.00	3	n/a	n/a		
BCDL	10.0	Code	IRC2015/TPI2014	Matrix-MP							Weight: 30 lb	FT = 20%

LUMBER

TOP CHORD 2x4 SP No.1
 BOT CHORD 2x4 SP No.1
 OTHERS 2x4 SP No.3

BRACING

TOP CHORD
 BOT CHORD

Structural wood sheathing directly applied or 8-6-12 oc purlins.
 Rigid ceiling directly applied or 6-0-0 oc bracing.

MiTek recommends that Stabilizers and required cross bracing be installed during truss erection, in accordance with Stabilizer Installation guide.

REACTIONS (lb/size) 1=33/8-6-12, (min. 0-1-8), 3=37/8-6-12, (min. 0-1-8),
 4=615/8-6-12, (min. 0-1-8)
 Max Horiz 1=-48 (LC 9)
 Max Uplift 1=-18 (LC 21), 3=-15 (LC 20), 4=-105 (LC 11)
 Max Grav 1=67 (LC 20), 3=71 (LC 21), 4=615 (LC 1)

FORCES (lb) - Max. Comp./Max. Ten. - All forces 250 (lb) or less except when shown.
 TOP CHORD 2-10=-46/279, 2-11=-45/272
 WEBS 2-4=-448/114

NOTES

- Unbalanced roof live loads have been considered for this design.
- Wind: ASCE 7-10; Vult=120mph (3-second gust) Vasd=95mph; TCDL=6.0psf; BCDL=6.0psf; h=30ft; B=20ft; L=20ft; eave=4ft; Cat. II; Exp B; Enclosed; MWFRS (directional) and C-C Exterior (2) 0-0-6 to 3-0-6, Interior (1) 3-0-6 to 4-3-12, Exterior (2) 4-3-12 to 7-3-12, Interior (1) 7-3-12 to 8-7-2 zone; cantilever left and right exposed; end vertical left and right exposed; C-C for members and forces & MWFRS for reactions shown; Lumber DOL=1.60 plate grip DOL=1.60
- Gable requires continuous bottom chord bearing.
- * This truss has been designed for a live load of 20.0psf on the bottom chord in all areas where a rectangle 3-06-00 tall by 2-00-00 wide will fit between the bottom chord and any other members.
- Provide mechanical connection (by others) of truss to bearing plate capable of withstanding 18 lb uplift at joint 1, 15 lb uplift at joint 3 and 105 lb uplift at joint 4.
- This truss is designed in accordance with the 2015 International Residential Code sections R502.11.1 and R802.10.2 and referenced standard ANSI/TPI 1.

LOAD CASE(S) Standard

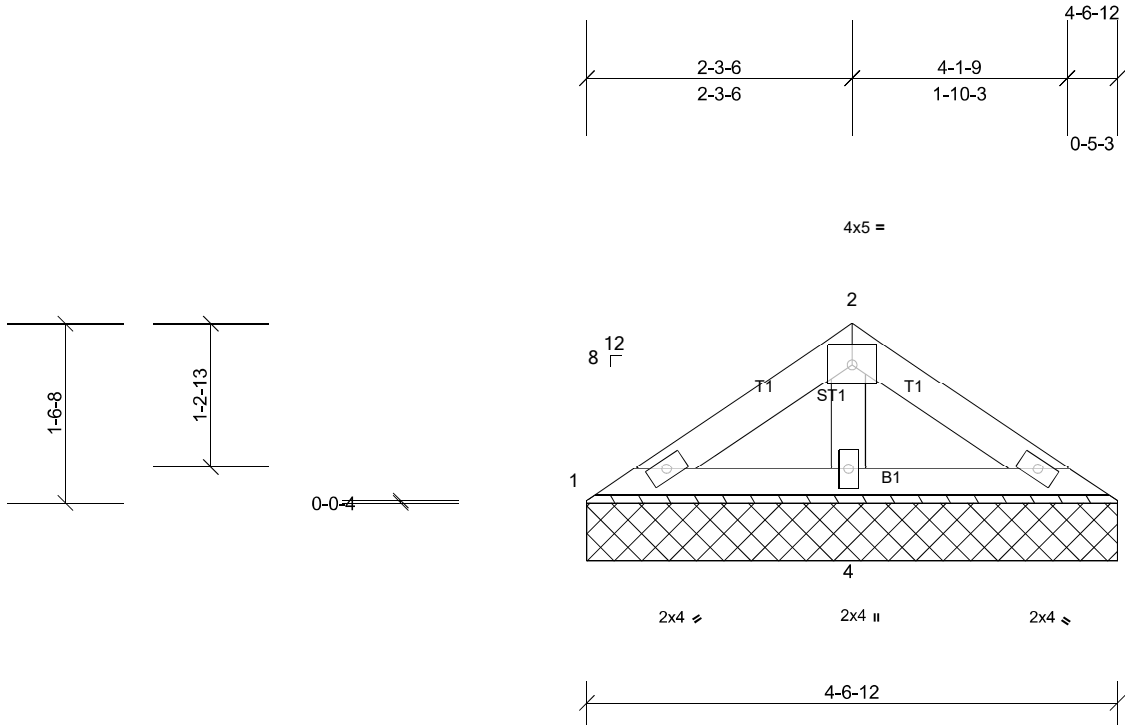
Job Q-2201750-1	Truss V7	Truss Type Valley	Qty 1	Ply 1	Castro House-Castro House Job Reference (optional)
--------------------	-------------	----------------------	----------	----------	---

Peak Truss Builders LLC, New Hill, user

Run: 8.43 S Feb 3 2021 Print: 8.430 S Feb 3 2021 MiTek Industries, Inc. Wed Aug 31 16:19:48

Page: 1

ID:T?QDZ3nYE5k4XwgENhoQmoyilXM-j_qIwIP1GiiWmMzmQuj16XiXvM7YMUmHg4iQzCyiHyp



Scale = 1:19.8

Loading	(psf)	Spacing	2-0-0	CSI	DEFL	in	(loc)	I/defl	L/d	PLATES	GRIP	
TCLL (roof)	20.0	Plate Grip DOL	1.15	TC	0.03	Vert(LL)	n/a	-	n/a	999	MT20	244/190
TCDL	10.0	Lumber DOL	1.15	BC	0.05	Vert(TL)	n/a	-	n/a	999		
BCLL	0.0*	Rep Stress Incr	YES	WB	0.03	Horiz(TL)	0.00	3	n/a	n/a		
BCDL	10.0	Code	IRC2015/TPI2014	Matrix-MP							Weight: 15 lb	FT = 20%

LUMBER

TOP CHORD 2x4 SP No.1
 BOT CHORD 2x4 SP No.1
 OTHERS 2x4 SP No.3

BRACING

TOP CHORD
 BOT CHORD

Structural wood sheathing directly applied or 4-6-12 oc purlins.
 Rigid ceiling directly applied or 6-0-0 oc bracing.

REACTIONS (lb/size) 1=50/4-6-12, (min. 0-1-8), 3=53/4-6-12, (min. 0-1-8),
 4=262/4-6-12, (min. 0-1-8)
 Max Horiz 1=-24 (LC 9)
 Max Uplift 1=-6 (LC 11), 3=-6 (LC 11), 4=-33 (LC 11)
 Max Grav 1=60 (LC 20), 3=63 (LC 21), 4=262 (LC 1)

MiTek recommends that Stabilizers and required cross bracing be installed during truss erection, in accordance with Stabilizer Installation guide.

FORCES (lb) - Max. Comp./Max. Ten. - All forces 250 (lb) or less except when shown.

NOTES

- Unbalanced roof live loads have been considered for this design.
- Wind: ASCE 7-10; Vult=120mph (3-second gust) Vasd=95mph; TC DL=6.0psf; BC DL=6.0psf; h=30ft; B=20ft; L=20ft; eave=4ft; Cat. II; Exp B; Enclosed; MWFRS (directional) and C-C Exterior (2) zone; cantilever left and right exposed; end vertical left and right exposed; C-C for members and forces & MWFRS for reactions shown; Lumber DOL=1.60 plate grip DOL=1.60
- Gable requires continuous bottom chord bearing.
- * This truss has been designed for a live load of 20.0psf on the bottom chord in all areas where a rectangle 3-06-00 tall by 2-00-00 wide will fit between the bottom chord and any other members.
- Provide mechanical connection (by others) of truss to bearing plate capable of withstanding 6 lb uplift at joint 1, 6 lb uplift at joint 3 and 33 lb uplift at joint 4.
- This truss is designed in accordance with the 2015 International Residential Code sections R502.11.1 and R802.10.2 and referenced standard ANSI/TPI 1.

LOAD CASE(S) Standard

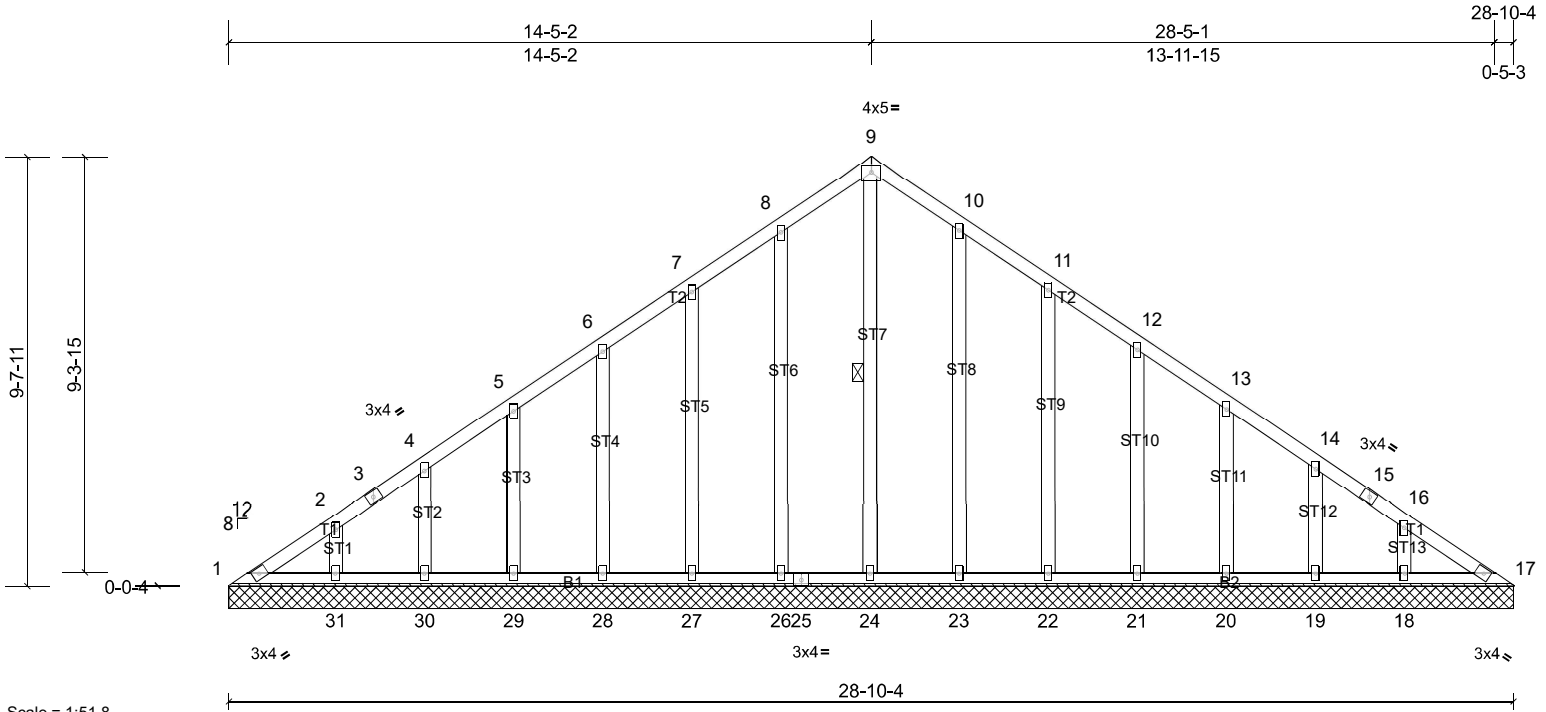
Job Q-2201750-1	Truss V8	Truss Type Valley	Qty 1	Ply 1	Castro House-Castro House Job Reference (optional)
--------------------	-------------	----------------------	----------	----------	---

Peak Truss Builders LLC, New Hill, user

Run: 8.43 S Feb 3 2021 Print: 8.430 S Feb 3 2021 MiTek Industries, Inc. Wed Aug 31 16:19:49

Page: 1

ID:xB_cnPoA?Pxs93FQxPJf0yilXL-BANg84Pf12qNOWYy_bEGfkQiUmTo5v0QvkR_WfyiHyO



Scale = 1:51.8

Loading	(psf)	Spacing	2-0-0	CSI	DEFL	in	(loc)	l/defl	L/d	PLATES	GRIP	
TCLL (roof)	20.0	Plate Grip DOL	1.15	TC	0.05	Vert(LL)	n/a	-	n/a	999	MT20	244/190
TCDL	10.0	Lumber DOL	1.15	BC	0.04	Vert(TL)	n/a	-	n/a	999		
BCLL	0.0*	Rep Stress Incr	YES	WB	0.16	Horiz(TL)	0.01	17	n/a	n/a		
BCDL	10.0	Code	IRC2015/TPI2014	Matrix-MS								Weight: 186 lb FT = 20%

LUMBER

TOP CHORD 2x4 SP No.1
 BOT CHORD 2x4 SP No.1
 OTHERS 2x4 SP No.3

BRACING

TOP CHORD Structural wood sheathing directly applied or 6-0-0 oc purlins.
 BOT CHORD Rigid ceiling directly applied or 10-0-0 oc bracing.
 WEBS 1 Row at midpt 9-24

REACTIONS All bearings 28-10-4.

(lb) - Max Horiz 1=-170 (LC 9)
 Max Uplift All uplift 100 (lb) or less at joint(s) 1, 18, 19, 20, 21, 22, 23, 26, 27, 28, 29, 30, 31
 Max Grav All reactions 250 (lb) or less at joint(s) 1, 17, 18, 19, 20, 21, 22, 23, 24, 26, 27, 28, 29, 30, 31

FORCES

(lb) - Max. Comp./Max. Ten. - All forces 250 (lb) or less except when shown.

NOTES

- Unbalanced roof live loads have been considered for this design.
- Wind: ASCE 7-10; Vult=120mph (3-second gust) Vasd=95mph; TCDL=6.0psf; BCDL=6.0psf; h=30ft; B=20ft; L=29ft; eave=2ft; Cat. II; Exp B; Enclosed; MWFRS (directional) and C-C Corner (3) 0-0-6 to 3-0-6, Exterior (2) 3-0-6 to 14-5-8, Corner (3) 14-5-8 to 17-5-8, Exterior (2) 17-5-8 to 28-10-10 zone; cantilever left and right exposed; end vertical left and right exposed; C-C for members and forces & MWFRS for reactions shown; Lumber DOL=1.60 plate grip DOL=1.60
- Truss designed for wind loads in the plane of the truss only. For studs exposed to wind (normal to the face), see Standard Industry Gable End Details as applicable, or consult qualified building designer as per ANSI/TPI 1.
- All plates are 2x4 MT20 unless otherwise indicated.
- Gable requires continuous bottom chord bearing.
- Gable studs spaced at 2-0-0 oc.
- * This truss has been designed for a live load of 20.0psf on the bottom chord in all areas where a rectangle 3-06-00 tall by 2-00-00 wide will fit between the bottom chord and any other members.
- Provide mechanical connection (by others) of truss to bearing plate capable of withstanding 100 lb uplift at joint(s) 1, 26, 27, 28, 29, 30, 31, 23, 22, 21, 20, 19, 18.
- This truss is designed in accordance with the 2015 International Residential Code sections R502.11.1 and R802.10.2 and referenced standard ANSI/TPI 1.

LOAD CASE(S) Standard

MiTek recommends that Stabilizers and required cross bracing be installed during truss erection, in accordance with Stabilizer Installation guide.

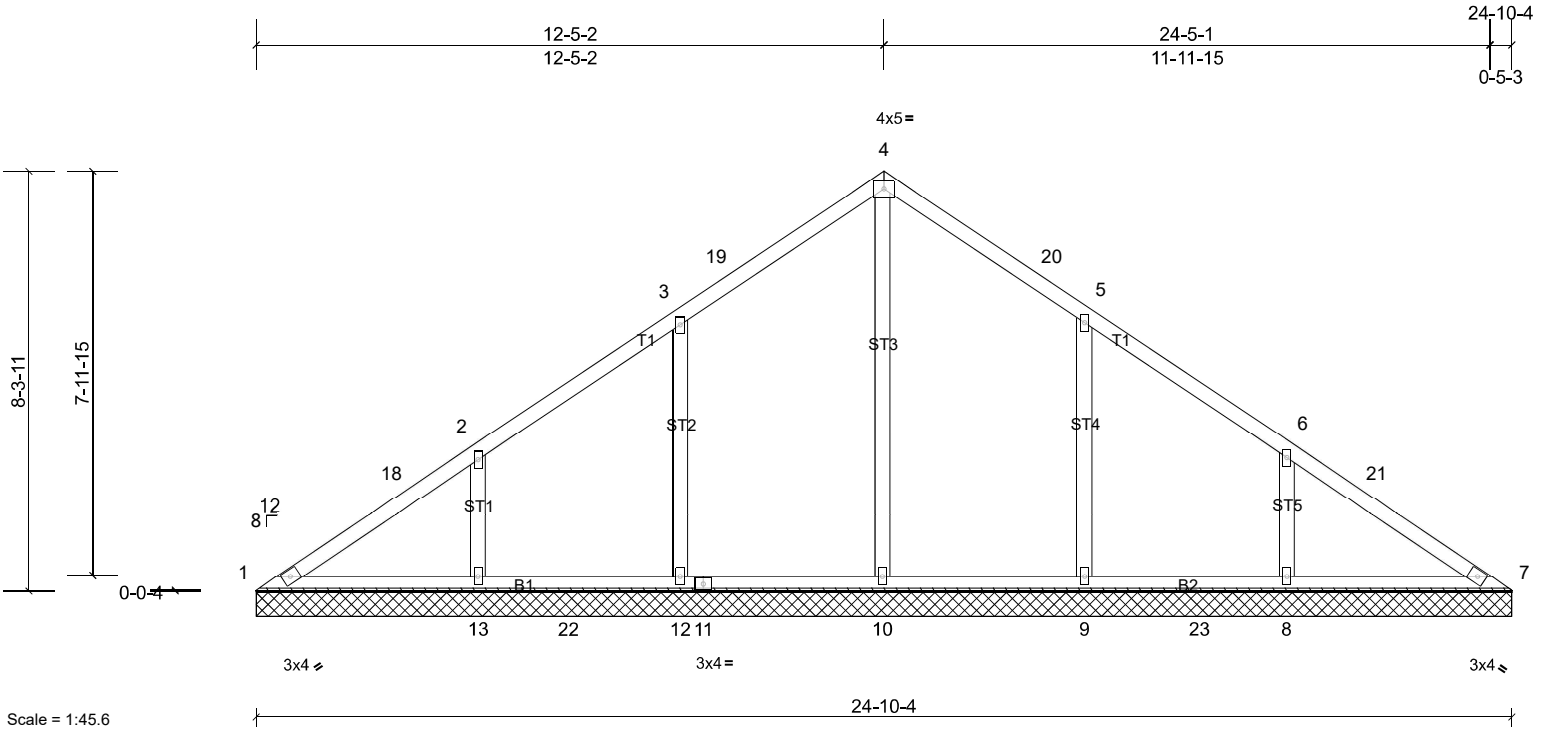
Job Q-2201750-1	Truss V9	Truss Type Valley	Qty 1	Ply 1	Castro House-Castro House Job Reference (optional)
--------------------	-------------	----------------------	----------	----------	---

Peak Truss Builders LLC, New Hill, user

Run: 8.43 S Feb 3 2021 Print: 8.430 S Feb 3 2021 MiTek Industries, Inc. Wed Aug 31 16:19:49

Page: 1

ID:xB_cnPoA?Psx93FQxPJf0yilXL-BANg84Pf12qNOWYy_bEGfkQgcmRO5s4QvkR_WfyiHyO



Loading	(psf)	Spacing	2-0-0	CSI	DEFL	in	(loc)	l/defl	L/d	PLATES	GRIP	
TCLL (roof)	20.0	Plate Grip DOL	1.15	TC	0.17	Vert(LL)	n/a	-	n/a	999	MT20	244/190
TCDL	10.0	Lumber DOL	1.15	BC	0.13	Vert(TL)	n/a	-	n/a	999		
BCLL	0.0*	Rep Stress Incr	YES	WB	0.35	Horiz(TL)	0.00	7	n/a	n/a		
BCDL	10.0	Code	IRC2015/TPI2014	Matrix-MS								Weight: 114 lb FT = 20%

LUMBER
 TOP CHORD 2x4 SP No.1
 BOT CHORD 2x4 SP No.1
 OTHERS 2x4 SP No.3

BRACING
 TOP CHORD
 BOT CHORD

Structural wood sheathing directly applied or 6-0-0 oc purlins.
 Rigid ceiling directly applied or 6-0-0 oc bracing.

MiTek recommends that Stabilizers and required cross bracing be installed during truss erection, in accordance with Stabilizer Installation guide.

REACTIONS All bearings 24-10-4.
 (lb) - Max Horiz 1=-146 (LC 9)
 Max Uplift All uplift 100 (lb) or less at joint(s) except 8=-107 (LC 11),
 9=-104 (LC 11), 12=-106 (LC 11), 13=-105 (LC 11)
 Max Grav All reactions 250 (lb) or less at joint(s) 1, 7 except 8=390 (LC 17),
 9=434 (LC 17), 10=467 (LC 16), 12=437 (LC 16), 13=387 (LC 16)

FORCES (lb) - Max. Comp./Max. Ten. - All forces 250 (lb) or less except when shown.
WEBS 4-10=-283/0, 3-12=-255/156, 2-13=-258/144, 5-9=-252/154, 6-8=-261/145

- NOTES**
- Unbalanced roof live loads have been considered for this design.
 - Wind: ASCE 7-10; Vult=120mph (3-second gust) Vasd=95mph; TC DL=6.0psf; BCDL=6.0psf; h=30ft; B=20ft; L=25ft; eave=4ft; Cat. II; Exp B; Enclosed; MWFRS (directional) and C-C Exterior (2) 0-0-6 to 3-0-6, Interior (1) 3-0-6 to 12-5-8, Exterior (2) 12-5-8 to 15-5-8, Interior (1) 15-5-8 to 24-10-10 zone; cantilever left and right exposed; end vertical left and right exposed; C-C for members and forces & MWFRS for reactions shown; Lumber DOL=1.60 plate grip DOL=1.60
 - All plates are 2x4 MT20 unless otherwise indicated.
 - Gable requires continuous bottom chord bearing.
 - * This truss has been designed for a live load of 20.0psf on the bottom chord in all areas where a rectangle 3-06-00 tall by 2-00-00 wide will fit between the bottom chord and any other members, with BCDL = 10.0psf.
 - Provide mechanical connection (by others) of truss to bearing plate capable of withstanding 106 lb uplift at joint 12, 105 lb uplift at joint 13, 104 lb uplift at joint 9 and 107 lb uplift at joint 8.
 - This truss is designed in accordance with the 2015 International Residential Code sections R502.11.1 and R802.10.2 and referenced standard ANSI/TPI 1.

LOAD CASE(S) Standard

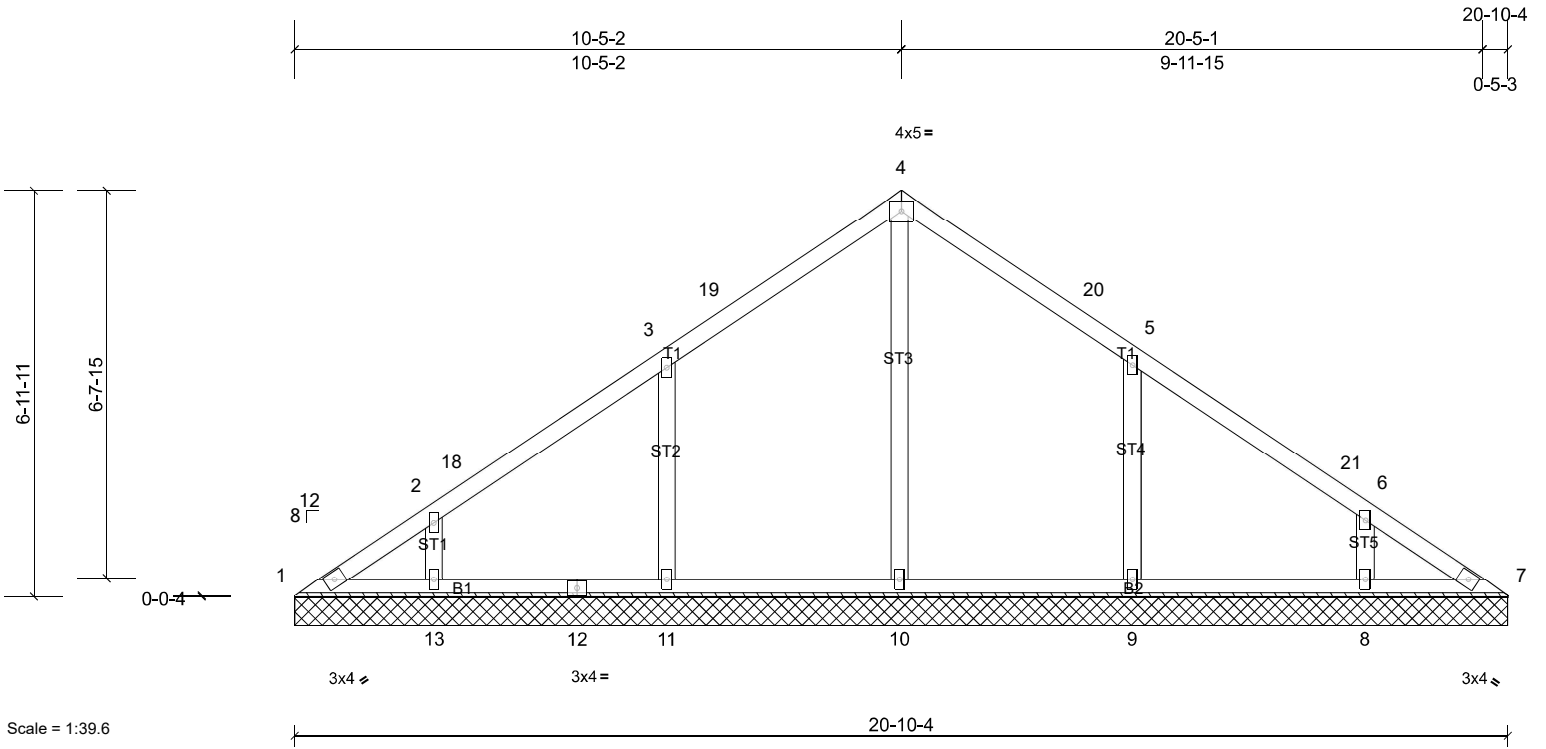
Job Q-2201750-1	Truss V10	Truss Type Valley	Qty 1	Ply 1	Castro House-Castro House Job Reference (optional)
--------------------	--------------	----------------------	----------	----------	---

Peak Truss Builders LLC, New Hill, user

Run: 8.43 S Feb 3 2021 Print: 8.430 S Feb 3 2021 MiTek Industries, Inc. Wed Aug 31 16:19:50

Page: 1

ID: _psrMjmwTocDwm52q_HBDbyiIXN-fNx2LQQHoMyE?g79YJIVByzrcAnaqMMa8OBX25yiHyN



Loading	(psf)	Spacing	2-0-0	CSI	DEFL	in	(loc)	l/defl	L/d	PLATES	GRIP	
TCLL (roof)	20.0	Plate Grip DOL	1.15	TC	0.15	Vert(LL)	n/a	-	n/a	999	MT20	244/190
TCDL	10.0	Lumber DOL	1.15	BC	0.14	Vert(TL)	n/a	-	n/a	999		
BCLL	0.0*	Rep Stress Incr	YES	WB	0.15	Horiz(TL)	0.00	7	n/a	n/a		
BCDL	10.0	Code	IRC2015/TPI2014	Matrix-MS							Weight: 91 lb	FT = 20%

LUMBER
TOP CHORD 2x4 SP No.1
BOT CHORD 2x4 SP No.1
OTHERS 2x4 SP No.3

BRACING
TOP CHORD
BOT CHORD

Structural wood sheathing directly applied or 6-0-0 oc purlins.
Rigid ceiling directly applied or 10-0-0 oc bracing.

MiTek recommends that Stabilizers and required cross bracing be installed during truss erection, in accordance with Stabilizer Installation guide.

REACTIONS All bearings 20-10-4.
(lb) - Max Horiz 1=-122 (LC 9)
Max Uplift All uplift 100 (lb) or less at joint(s) 1, 8, 13 except 9=-111 (LC 11), 11=-113 (LC 11)
Max Grav All reactions 250 (lb) or less at joint(s) 1, 7 except 8=288 (LC 1), 9=403 (LC 17), 10=385 (LC 16), 11=406 (LC 16), 13=285 (LC 1)

FORCES (lb) - Max. Comp./Max. Ten. - All forces 250 (lb) or less except when shown.
WEBS 3-11=-268/162, 5-9=-266/160

- NOTES**
- Unbalanced roof live loads have been considered for this design.
 - Wind: ASCE 7-10; Vult=120mph (3-second gust) Vasd=95mph; TCDL=6.0psf; BCDL=6.0psf; h=30ft; B=20ft; L=21ft; eave=4ft; Cat. II; Exp B; Enclosed; MWFRS (directional) and C-C Exterior (2) 0-0-6 to 3-0-6, Interior (1) 3-0-6 to 10-5-8, Exterior (2) 10-5-8 to 13-5-8, Interior (1) 13-5-8 to 20-10-10 zone; cantilever left and right exposed; end vertical left and right exposed; C-C for members and forces & MWFRS for reactions shown; Lumber DOL=1.60 plate grip DOL=1.60
 - All plates are 2x4 MT20 unless otherwise indicated.
 - Gable requires continuous bottom chord bearing.
 - * This truss has been designed for a live load of 20.0psf on the bottom chord in all areas where a rectangle 3-06-00 tall by 2-00-00 wide will fit between the bottom chord and any other members, with BCDL = 10.0psf.
 - Provide mechanical connection (by others) of truss to bearing plate capable of withstanding 100 lb uplift at joint(s) 1, 13, 8 except (jt=lb) 11=113, 9=111.
 - This truss is designed in accordance with the 2015 International Residential Code sections R502.11.1 and R802.10.2 and referenced standard ANSI/TPI 1.

LOAD CASE(S) Standard

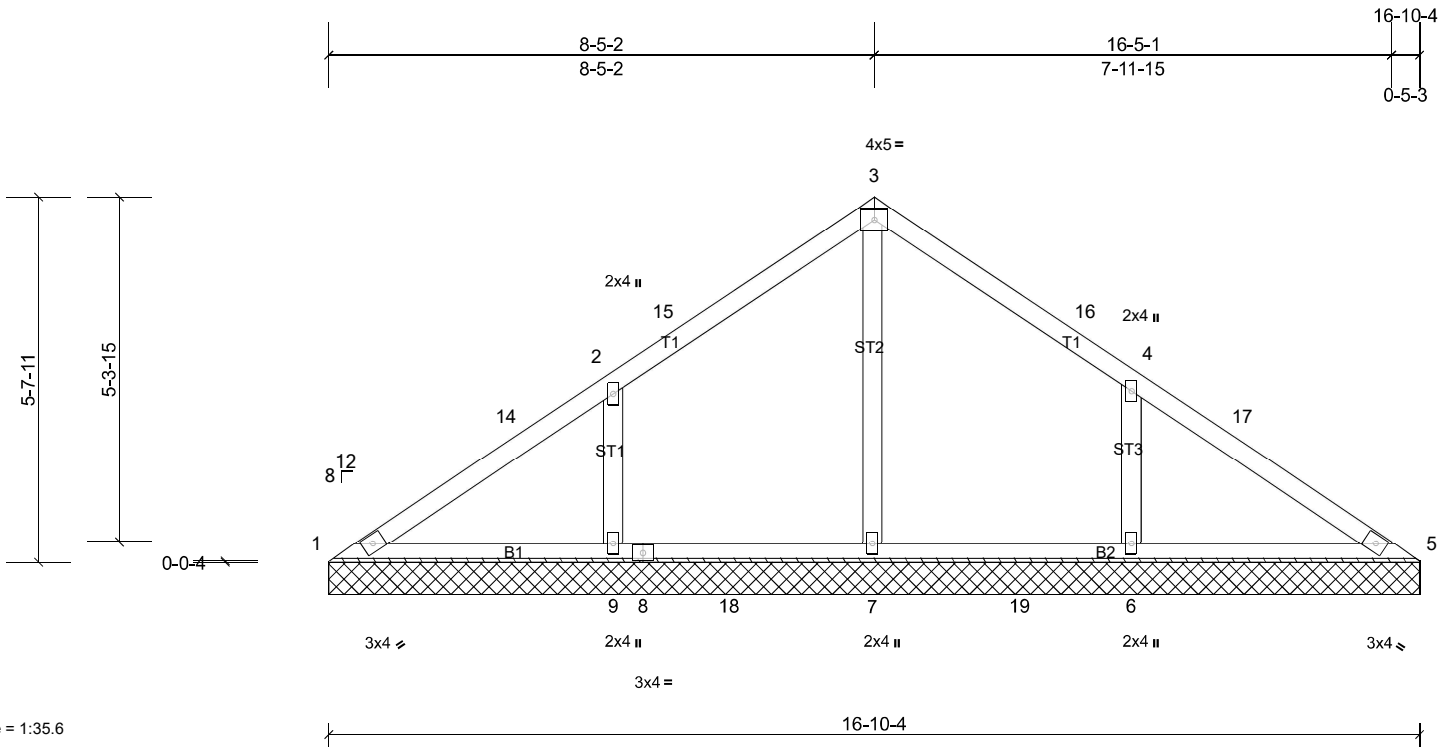
Job Q-2201750-1	Truss V11	Truss Type Valley	Qty 1	Ply 1	Castro House-Castro House Job Reference (optional)
--------------------	--------------	----------------------	----------	----------	---

Peak Truss Builders LLC, New Hill, user

Run: 8.43 S Feb 3 2021 Print: 8.430 S Feb 3 2021 MiTek Industries, Inc. Wed Aug 31 16:19:50

Page: 1

ID: _psrMjmwTocDwm52q_HBDbyilXN-fNx2LQQHoMyE?g79YJIVByrzAotqM3a8OBX25yiHyN



Scale = 1:35.6

Loading	(psf)	Spacing	2-0-0	CSI	DEFL	in	(loc)	l/defl	L/d	PLATES	GRIP	
TCLL (roof)	20.0	Plate Grip DOL	1.15	TC	0.19	Vert(LL)	n/a	-	n/a	999	MT20	244/190
TCDL	10.0	Lumber DOL	1.15	BC	0.12	Vert(TL)	n/a	-	n/a	999		
BCLL	0.0*	Rep Stress Incr	YES	WB	0.17	Horiz(TL)	0.00	5	n/a	n/a		
BCDL	10.0	Code	IRC2015/TPI2014	Matrix-MS							Weight: 68 lb	FT = 20%

LUMBER

TOP CHORD 2x4 SP No.1
 BOT CHORD 2x4 SP No.1
 OTHERS 2x4 SP No.3

BRACING

TOP CHORD
 BOT CHORD

Structural wood sheathing directly applied or 10-0-0 oc purlins.
 Rigid ceiling directly applied or 6-0-0 oc bracing.

MiTek recommends that Stabilizers and required cross bracing be installed during truss erection, in accordance with Stabilizer Installation guide.

REACTIONS All bearings 16-10-4.

(lb) - Max Horiz 1=98 (LC 10)
 Max Uplift All uplift 100 (lb) or less at joint(s) except 6=120 (LC 11),
 9=120 (LC 11)
 Max Grav All reactions 250 (lb) or less at joint(s) 1, 5 except 6=410 (LC
 17), 7=449 (LC 16), 9=409 (LC 16)

FORCES (lb) - Max. Comp./Max. Ten. - All forces 250 (lb) or less except when shown.

WEBS 3-7=-309/1, 2-9=-284/157, 4-6=-283/156

NOTES

- Unbalanced roof live loads have been considered for this design.
- Wind: ASCE 7-10; Vult=120mph (3-second gust) Vasd=95mph; TCDL=6.0psf; BCDL=6.0psf; h=30ft; B=20ft; L=20ft; eave=4ft; Cat. II; Exp B; Enclosed; MWFRS (directional) and C-C Exterior (2) 0-0-6 to 3-0-6, Interior (1) 3-0-6 to 8-5-8, Exterior (2) 8-5-8 to 11-5-8, Interior (1) 11-5-8 to 16-10-10 zone; cantilever left and right exposed ; end vertical left and right exposed; C-C for members and forces & MWFRS for reactions shown; Lumber DOL=1.60 plate grip DOL=1.60
- Gable requires continuous bottom chord bearing.
- * This truss has been designed for a live load of 20.0psf on the bottom chord in all areas where a rectangle 3-06-00 tall by 2-00-00 wide will fit between the bottom chord and any other members, with BCDL = 10.0psf.
- Provide mechanical connection (by others) of truss to bearing plate capable of withstanding 120 lb uplift at joint 9 and 119 lb uplift at joint 6.
- This truss is designed in accordance with the 2015 International Residential Code sections R502.11.1 and R802.10.2 and referenced standard ANSI/TPI 1.

LOAD CASE(S) Standard

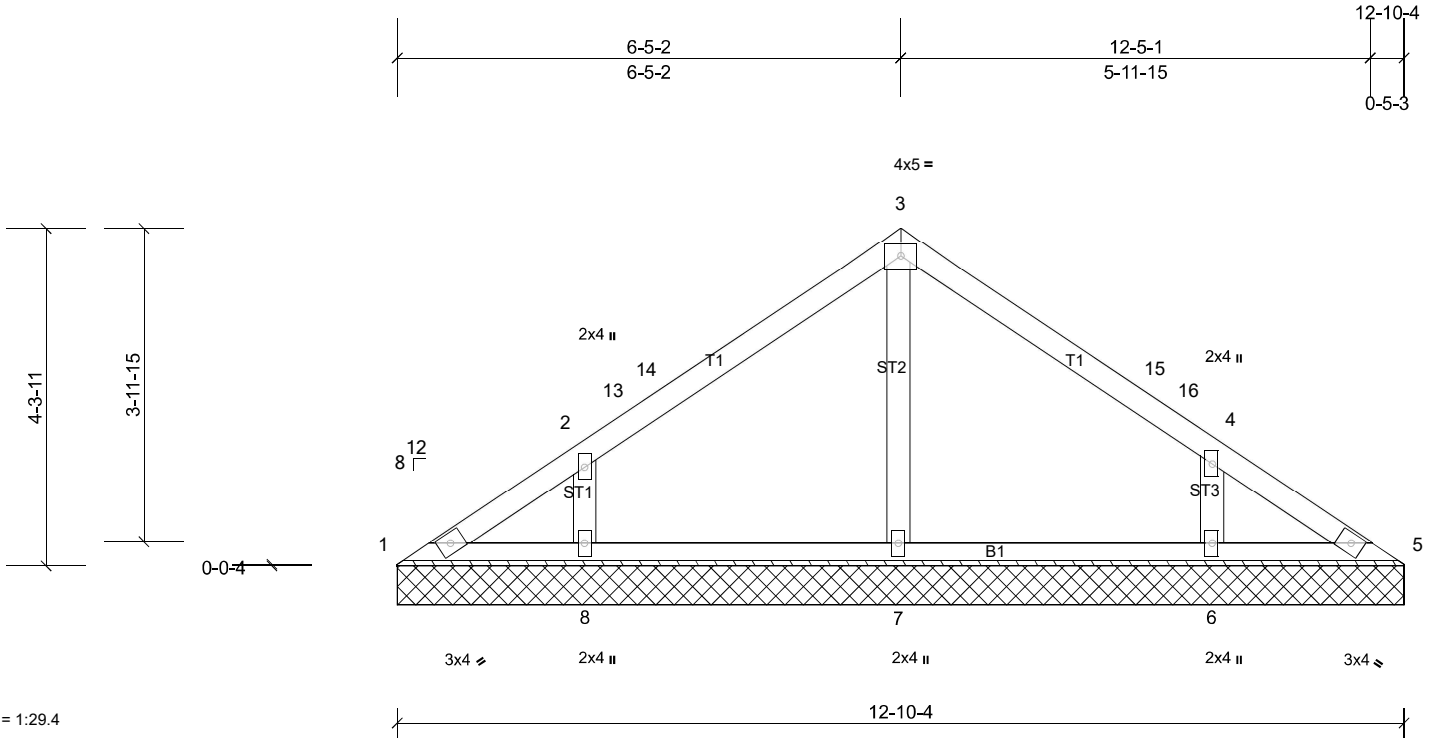
Job Q-2201750-1	Truss V12	Truss Type Valley	Qty 1	Ply 1	Castro House-Castro House Job Reference (optional)
--------------------	--------------	----------------------	----------	----------	---

Peak Truss Builders LLC, New Hill, user

Run: 8.43 S Feb 3 2021 Print: 8.430 S Feb 3 2021 MiTek Industries, Inc. Wed Aug 31 16:19:51

Page: 1

ID: _psrMjmwTocDwm52q_HBDbyilXN-7ZVQZmRvZg45dqIL50Hkk9V0WZ8?Zr?JM2w4aXyihYm



Scale = 1:29.4

Loading	(psf)	Spacing	2-0-0	CSI	DEFL	in	(loc)	l/defl	L/d	PLATES	GRIP	
TCLL (roof)	20.0	Plate Grip DOL	1.15	TC	0.14	Vert(LL)	n/a	-	n/a	999	MT20	244/190
TCDL	10.0	Lumber DOL	1.15	BC	0.06	Vert(TL)	n/a	-	n/a	999		
BCLL	0.0*	Rep Stress Incr	YES	WB	0.06	Horiz(TL)	0.00	5	n/a	n/a		
BCDL	10.0	Code	IRC2015/TPI2014	Matrix-MS							Weight: 49 lb	FT = 20%

LUMBER

TOP CHORD 2x4 SP No.1
 BOT CHORD 2x4 SP No.1
 OTHERS 2x4 SP No.3

BRACING

TOP CHORD
 BOT CHORD

Structural wood sheathing directly applied or 6-0-0 oc purlins.
 Rigid ceiling directly applied or 10-0-0 oc bracing.

MiTek recommends that Stabilizers and required cross bracing be installed during truss erection, in accordance with Stabilizer Installation guide.

REACTIONS All bearings 12-10-4.

- (lb) - Max Horiz 1=-74 (LC 9)
- Max Uplift All uplift 100 (lb) or less at joint(s) 6, 8
- Max Grav All reactions 250 (lb) or less at joint(s) 1, 5 except 6=312 (LC 21), 7=271 (LC 1), 8=314 (LC 20)

FORCES (lb) - Max. Comp./Max. Ten. - All forces 250 (lb) or less except when shown.

NOTES

- Unbalanced roof live loads have been considered for this design.
- Wind: ASCE 7-10; Vult=120mph (3-second gust) Vasd=95mph; TCCL=6.0psf; BCDL=6.0psf; h=30ft; B=20ft; L=20ft; eave=4ft; Cat. II; Exp B; Enclosed; MWFRS (directional) and C-C Exterior (2) 0-0-6 to 3-0-6, Interior (1) 3-0-6 to 6-5-8, Exterior (2) 6-5-8 to 9-5-8, Interior (1) 9-5-8 to 12-10-10 zone; cantilever left and right exposed; end vertical left and right exposed; C-C for members and forces & MWFRS for reactions shown; Lumber DOL=1.60 plate grip DOL=1.60
- Gable requires continuous bottom chord bearing.
- * This truss has been designed for a live load of 20.0psf on the bottom chord in all areas where a rectangle 3-06-00 tall by 2-00-00 wide will fit between the bottom chord and any other members.
- Provide mechanical connection (by others) of truss to bearing plate capable of withstanding 100 lb uplift at joint(s) 8, 6.
- This truss is designed in accordance with the 2015 International Residential Code sections R502.11.1 and R802.10.2 and referenced standard ANSI/TPI 1.

LOAD CASE(S) Standard

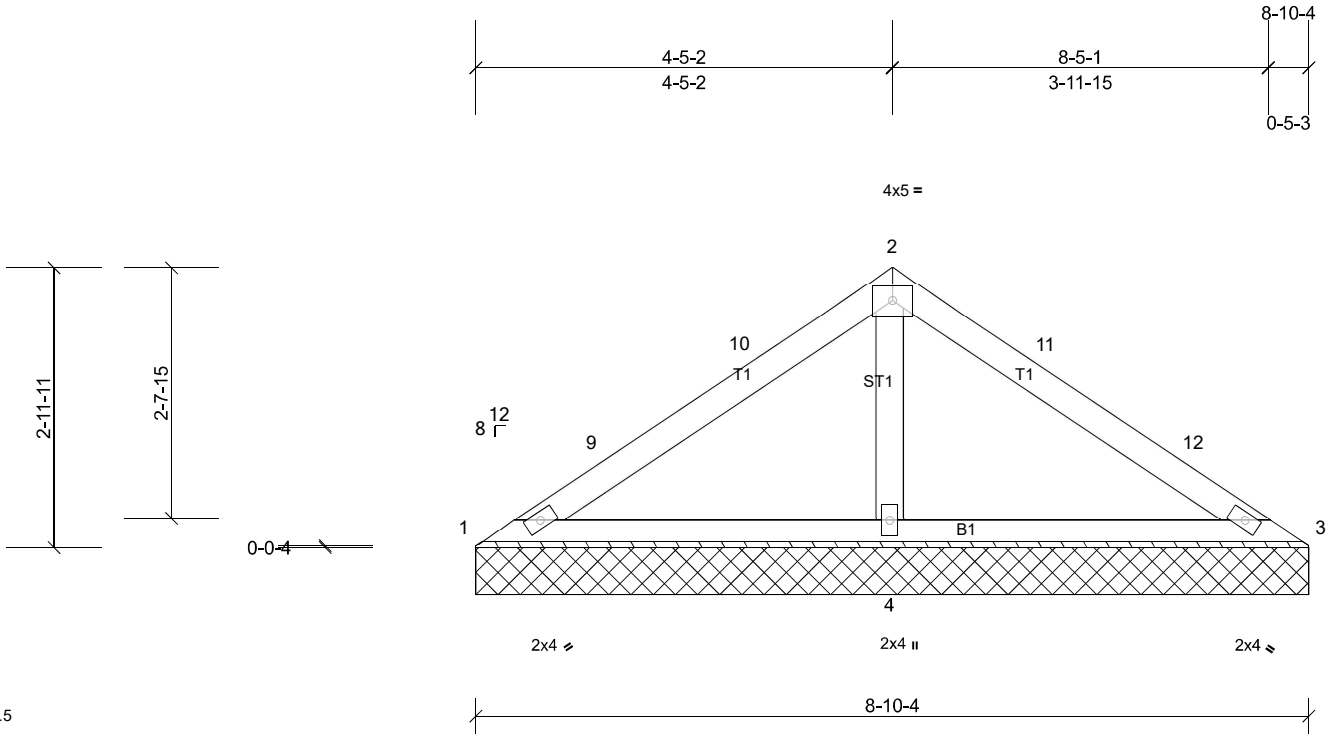
Job Q-2201750-1	Truss V13	Truss Type Valley	Qty 1	Ply 1	Castro House-Castro House Job Reference (optional)
--------------------	--------------	----------------------	----------	----------	---

Peak Truss Builders LLC, New Hill, user

Run: 8.43 S Feb 3 2021 Print: 8.430 S Feb 3 2021 MiTek Industries, Inc. Wed Aug 31 16:19:51

Page: 1

ID: _psrMjmwTocDwm52q_HBDbyilXN-7ZVQZmRvZg45dqL50Hkk9V0oZ6GZqljM2w4aXyihyM



Scale = 1:24.5

Loading	(psf)	Spacing	2-0-0	CSI	DEFL	in	(loc)	l/defl	L/d	PLATES	GRIP	
TCLL (roof)	20.0	Plate Grip DOL	1.15	TC	0.19	Vert(LL)	n/a	-	n/a	999	MT20	244/190
TCDL	10.0	Lumber DOL	1.15	BC	0.17	Vert(TL)	n/a	-	n/a	999		
BCLL	0.0*	Rep Stress Incr	YES	WB	0.11	Horiz(TL)	0.00	3	n/a	n/a		
BCDL	10.0	Code	IRC2015/TPI2014	Matrix-MP							Weight: 31 lb	FT = 20%

LUMBER

TOP CHORD 2x4 SP No.1
 BOT CHORD 2x4 SP No.1
 OTHERS 2x4 SP No.3

BRACING

TOP CHORD
 BOT CHORD

Structural wood sheathing directly applied or 8-10-4 oc purlins.
 Rigid ceiling directly applied or 6-0-0 oc bracing.

REACTIONS (lb/size) 1=29/8-10-4, (min. 0-1-8), 3=34/8-10-4, (min. 0-1-8),
 4=646/8-10-4, (min. 0-1-8)
 Max Horiz 1=-50 (LC 9)
 Max Uplift 1=-22 (LC 21), 3=-19 (LC 20), 4=-112 (LC 11)
 Max Grav 1=66 (LC 20), 3=70 (LC 21), 4=646 (LC 1)

FORCES (lb) - Max. Comp./Max. Ten. - All forces 250 (lb) or less except when shown.
 TOP CHORD 9-10=-52/255, 2-10=-52/297, 2-11=-50/291
 WEBS 2-4=-474/123

NOTES

- 1) Unbalanced roof live loads have been considered for this design.
- 2) Wind: ASCE 7-10; Vult=120mph (3-second gust) Vasd=95mph; TC DL=6.0psf; BC DL=6.0psf; h=30ft; B=20ft; L=20ft; eave=4ft; Cat. II; Exp B; Enclosed; MWFRS (directional) and C-C Exterior (2) 0-0-6 to 3-0-6, Interior (1) 3-0-6 to 4-5-8, Exterior (2) 4-5-8 to 7-5-8, Interior (1) 7-5-8 to 8-10-10 zone; cantilever left and right exposed; end vertical left and right exposed; C-C for members and forces & MWFRS for reactions shown; Lumber DOL=1.60 plate grip DOL=1.60
- 3) Gable requires continuous bottom chord bearing.
- 4) * This truss has been designed for a live load of 20.0psf on the bottom chord in all areas where a rectangle 3-06-00 tall by 2-00-00 wide will fit between the bottom chord and any other members.
- 5) Provide mechanical connection (by others) of truss to bearing plate capable of withstanding 22 lb uplift at joint 1, 19 lb uplift at joint 3 and 112 lb uplift at joint 4.
- 6) This truss is designed in accordance with the 2015 International Residential Code sections R502.11.1 and R802.10.2 and referenced standard ANSI/TPI 1.

LOAD CASE(S) Standard

MiTek recommends that Stabilizers and required cross bracing be installed during truss erection, in accordance with Stabilizer Installation guide.

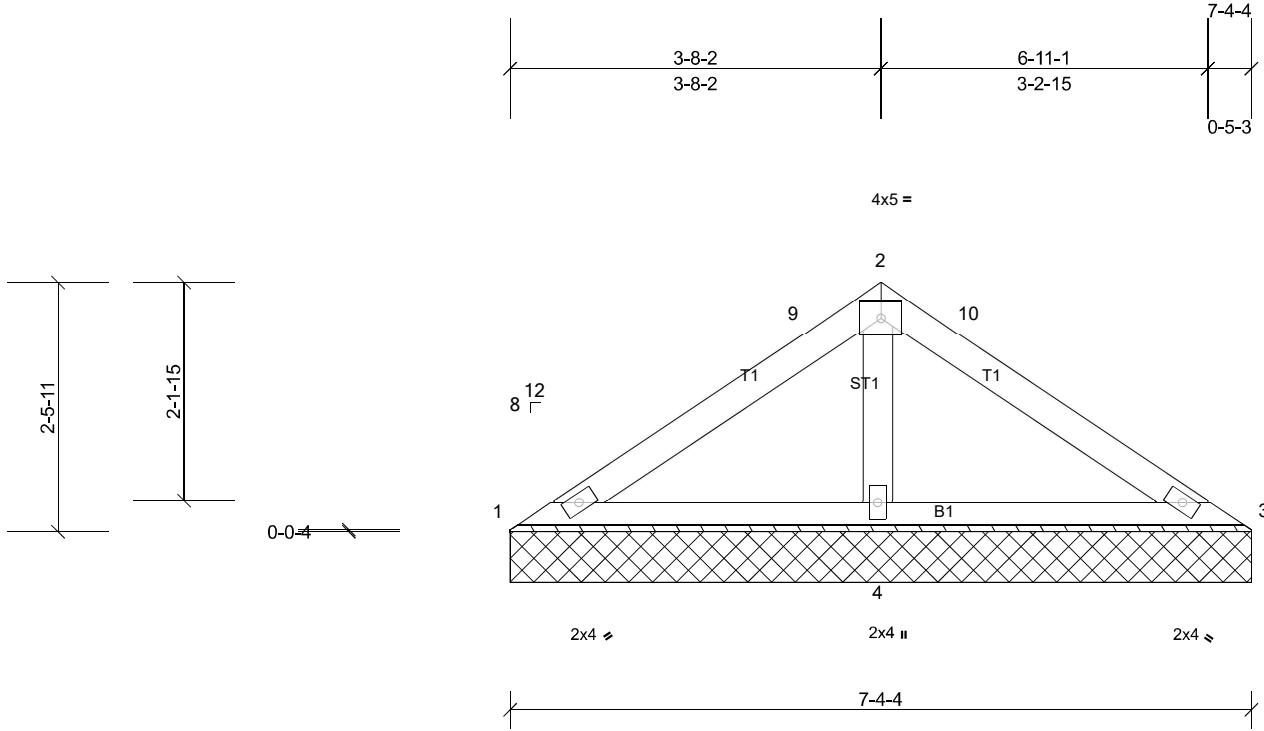
Job Q-2201750-1	Truss V14	Truss Type Valley	Qty 1	Ply 1	Castro House-Castro House Job Reference (optional)
--------------------	--------------	----------------------	----------	----------	---

Peak Truss Builders LLC, New Hill, user

Run: 8.43 S Feb 3 2021 Print: 8.430 S Feb 3 2021 MiTek Industries, Inc. Wed Aug 31 16:19:52

Page: 1

ID:T?QDZ3nYE5k4XwgENhoQmoyilXM-bl3pm6SXKzCyF_HXfkozHN2CazTIIH4sbige6_yiHyL



Scale = 1:22.9

Loading	(psf)	Spacing	2-0-0	CSI	DEFL	in	(loc)	l/defl	L/d	PLATES	GRIP	
TCLL (roof)	20.0	Plate Grip DOL	1.15	TC	0.12	Vert(LL)	n/a	-	n/a	999	MT20	244/190
TCDL	10.0	Lumber DOL	1.15	BC	0.12	Vert(TL)	n/a	-	n/a	999		
BCLL	0.0*	Rep Stress Incr	YES	WB	0.07	Horiz(TL)	0.00	3	n/a	n/a		
BCDL	10.0	Code	IRC2015/TPI2014	Matrix-MP							Weight: 25 lb	FT = 20%

LUMBER

TOP CHORD 2x4 SP No.1
 BOT CHORD 2x4 SP No.1
 OTHERS 2x4 SP No.3

BRACING

TOP CHORD
 BOT CHORD

Structural wood sheathing directly applied or 7-4-4 oc purlins.
 Rigid ceiling directly applied or 6-0-0 oc bracing.

MiTek recommends that Stabilizers and required cross bracing be installed during truss erection, in accordance with Stabilizer Installation guide.

REACTIONS (lb/size) 1=44/7-4-4, (min. 0-1-8), 3=49/7-4-4, (min. 0-1-8), 4=495/7-4-4, (min. 0-1-8)

Max Horiz 1=-41 (LC 9)
 Max Uplift 1=-3 (LC 21), 3=-1 (LC 20), 4=-79 (LC 11)
 Max Grav 1=70 (LC 20), 3=73 (LC 21), 4=495 (LC 1)

FORCES (lb) - Max. Comp./Max. Ten. - All forces 250 (lb) or less except when shown.

WEBS 2-4=-346/85

NOTES

- Unbalanced roof live loads have been considered for this design.
- Wind: ASCE 7-10; Vult=120mph (3-second gust) Vasd=95mph; TCCL=6.0psf; BCCL=6.0psf; h=30ft; B=20ft; L=20ft; eave=4ft; Cat. II; Exp B; Enclosed; MWFRS (directional) and C-C Exterior (2) 0-0-6 to 3-0-6, Interior (1) 3-0-6 to 3-8-8, Exterior (2) 3-8-8 to 6-5-7, Interior (1) 6-5-7 to 7-4-10 zone; cantilever left and right exposed; end vertical left and right exposed; C-C for members and forces & MWFRS for reactions shown; Lumber DOL=1.60 plate grip DOL=1.60
- Gable requires continuous bottom chord bearing.
- * This truss has been designed for a live load of 20.0psf on the bottom chord in all areas where a rectangle 3-06-00 tall by 2-00-00 wide will fit between the bottom chord and any other members.
- Provide mechanical connection (by others) of truss to bearing plate capable of withstanding 3 lb uplift at joint 1, 1 lb uplift at joint 3 and 79 lb uplift at joint 4.
- This truss is designed in accordance with the 2015 International Residential Code sections R502.11.1 and R802.10.2 and referenced standard ANSI/TPI 1.

LOAD CASE(S) Standard