

TABLE 1
BOW/RAFTER FRAME, END POST, GROUND ANCHOR AND PANEL FASTENER SPACING SPECIFICATIONS

| WIND EXPOSURE CATEGORY | ULTIMATE WIND SPEED (MPH) | NOMINAL WIND SPEED (MPH) | MAXIMUM GROUND SNOW LOAD (PSF) | MAXIMUM POST/RAFTER SPACING (FEET) | AVERAGE FASTENER SPACING ON-CENTERS ALONG RAFTERS OR PURLINS, AND POSTS OR GIRTS (INCHES) | |
|------------------------|---------------------------|--------------------------|--------------------------------|------------------------------------|---|---------|
| | | | | | METAL PANELS | SPACING |
| B OR C | 105 TO 140 | 82 TO 108 | 35 | 5.0 | 29 Gauge | 8 |
| | | | 65 | 4.0 | | |

NOTES: 1. Specifications applicable to 29 gauge metal panels fastened directly to 12 or 14 gauge steel tube bow frames.
2. Fasteners consist of #12 x 3/4" self-drilling screws without control seal washers.
3. Specifications applicable only for mean roof height of 24 feet or less and roof slopes of 7 to 27 degrees (1.5:12 to 6:12 pitch). Spacing requirements for other roof heights and/or slopes may vary.

TABLE 1 (HIGH WIND REGION)
BOW/RAFTER FRAME, END POST, GROUND ANCHOR AND PANEL FASTENER SPACING SPECIFICATIONS

| WIND EXPOSURE CATEGORY | ULTIMATE WIND SPEED (MPH) | NOMINAL WIND SPEED (MPH) | MAXIMUM GROUND SNOW LOAD (PSF) | MAXIMUM POST/RAFTER SPACING (FEET) | AVERAGE FASTENER SPACING ON-CENTERS ALONG RAFTERS OR PURLINS, AND POSTS OR GIRTS (INCHES) | |
|------------------------|---------------------------|--------------------------|--------------------------------|------------------------------------|---|---------|
| | | | | | METAL PANELS | SPACING |
| B OR C | 141 TO 150 | 109 TO 116 | 30 | 5.0 | 29 Gauge | 8 |
| B, C OR D | 151 TO 170 | 117 TO 132 | 20 | 4.0 | 26 Gauge | 6 |

NOTES: 1. Specifications applicable to 29 gauge and 26 gauge metal panels fastened directly to 12 or 14 gauge steel tube bow frames.
2. Fasteners consist of #12 x 3/4" self-drilling screws without control seal washer.
3. Specifications applicable only for mean roof height of 24 feet or less and roof slopes of 7 to 27 degrees (1.5:12 to 6:12 pitch). Spacing requirements for other roof heights and/or slopes may vary.

GENERAL NOTES:

THESE PLANS PERTAIN ONLY TO THE STRUCTURE, INCLUDING MAIN WIND FORCE RESISTING SYSTEM (MWFRS), COMPONENTS AND CLADDING, AND BASE RAIL ANCHORAGE. OTHER DESIGN ISSUES, INCLUDING, BUT NOT LIMITED TO, PLUMBING, ELECTRICAL, INGRESS/EGRESS, PROPERTY SET-BACKS, OR OTHER LOCAL ZONING REQUIREMENTS ARE THE RESPONSIBILITY OF OTHERS.

THESE STRUCTURES ARE DESIGNED AS UTILITY/STORAGE BUILDINGS CAPABLE OF SUPPORTING THE DEAD LOAD OF THE STRUCTURE AND APPLICABLE LIVE AND WIND LOADS. IMPROVEMENTS NOT SPECIFICALLY ADDRESSED HEREIN, WHICH EXERT ADDITIONAL LOADS ON THE STRUCTURE SHALL BE AT THE OWNER'S RISK. CAROLINA CARPORTS SHALL NOT BE RESPONSIBLE FOR STRUCTURAL DAMAGE OR FAILURE DUE TO THE APPLICATION OF ADDITIONAL LOADS.

THE SPACING INDICATED IN THE ABOVE TABLE IS THE MAXIMUM SPACING FOR THE MAIN WIND FORCE RESISTING SYSTEM. A CLOSER SPACING MAY BE NEEDED TO MEET LOCAL BUILDING CODE AND/OR SITE SPECIFIC REQUIREMENTS.

ALL STEEL TUBING SHALL BE 55 KSI STEEL OR BETTER. ALL METAL PANELS SHALL BE 80 KSI STEEL OR BETTER.

FASTEN METAL ROOF AND WALL PANELS TO FRAMING WITH #12" x 3/8" SELF DRILLING FASTENERS WITH CONTROL SEAL WASHERS AT AN AVERAGE SPACING OF 8" FOR 29 GAUGE PANELS AND 6" FOR 26 GAUGE PANELS.

ALL FIELD CONNECTIONS SHALL BE #12 x 3/8" SELF DRILLING FASTENERS (SDF) UNLESS NOTED OTHERWISE.

ALL WELDED CONNECTIONS SHALL BE SHOP WELDED UNLESS NOTED OTHERWISE.

GROUND ANCHOR REQUIREMENTS: INSTALL HELICAL ANCHORS WITHIN 6" OF EACH CORNER POST AND AT A MAXIMUM SPACING OF 25' ALONG THE BASE RAIL. INSTALL GROUND RODS (#4 THREADED REBAR) BETWEEN THE HELICAL ANCHORS AT A MAXIMUM SPACING OF 5' AND A MINIMUM SPACING OF 4' ALONG THE BASE RAIL. HELICAL ANCHORS AND GROUND RODS ARE NOT REQUIRED FOR CONCRETE FOOTING AND/OR CONCRETE SLAB CONSTRUCTION.

CONCRETE EXPANSION ANCHORS SHALL BE ITW RAMSET/REDHEAD TRUBOLT WEDGE ANCHOR, WEJ-IT ANKR-TITE MODEL AT1252, SLEEVE ANCHOR MODEL HSA 1260, ITW REDHEAD TAPCON+ OR APPROVED EQUAL.

POST/RAFTER BRACING: BRACE ON EVERY POST/RAFTER CONNECTION, EXCEPT FOR END WALLS AND HEADERS.

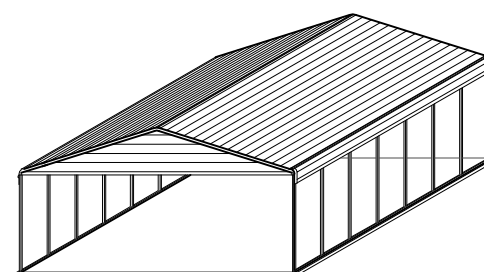
GALVANIZATION: METAL ACCESSORIES FOR USE IN EXTERIOR WALL CONSTRUCTION AND NOT DIRECTLY EXPOSED TO THE WEATHER SHALL BE GALVANIZED IN ACCORDANCE WITH ASTM A 153, CLASS B-2. METAL PLATE CONNECTORS, SCREWS, BOLTS AND NAILS EXPOSED DIRECTLY TO THE WEATHER SHALL BE STAINLESS STEEL OR HOT DIPPED GALVANIZED.

STANDARD CARPORT DETAILS

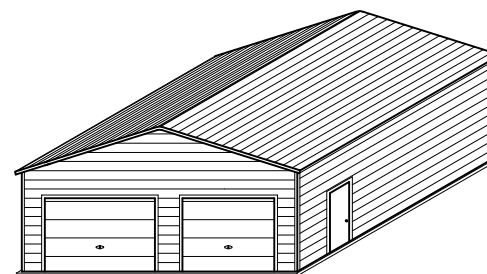
12 ft to 24 ft SPAN

LIGHT FRAME CONSTRUCTION

NOTE: USE $\text{O} 2\frac{1}{2}" \times 2\frac{1}{2}"$ 14 Ga.
 $\text{O} 2\frac{1}{4}" \times 2\frac{1}{4}"$ 12 Ga.
STEEL TUBE FOR ALL FRAME AND BASE RAIL MEMBERS UNLESS OTHERWISE SHOWN.



ISOMETRIC



ISOMETRIC

CONCRETE FOUNDATION DESIGN RECOMMENDATIONS:

CONCRETE INFORMATION AND DETAILS SHOWN IN THESE PLANS ARE FOR INFORMATION ONLY. THE CONCRETE SLAB AND FOUNDATION ARE BY OTHERS. THE OWNER IS RESPONSIBLE FOR PROVIDING A SUITABLE FOUNDATION FOR THE PROPOSED STRUCTURE AND COORDINATING CONCRETE STRENGTH AND FOUNDATION DEPTH REQUIREMENTS WITH THE LOCAL BUILDING CODE OFFICIALS.

CONCRETE SHALL HAVE A MINIMUM SPECIFIED COMPRESSIVE STRENGTH OF 3000 PSI AT 28 DAYS OR AS REQUIRED BY LOCAL BUILDING CODE. THE USE OF HIGHER STRENGTH CONCRETE IS ACCEPTABLE.

COVER OVER REINFORCING STEEL: MINIMUM CONCRETE OVER REINFORCING BARS SHALL BE 3 INCHES WHERE CONCRETE IS CAST AGAINST AND PERMANENTLY IN CONTACT WITH THE EARTH OR EXPOSED TO THE EARTH OR WEATHER AND 1 1/2" ELSEWHERE.

REINFORCING STEEL: THE REINFORCING STEEL SHALL BE MINIMUM GRADE 40. THE USE OF FIBER REINFORCED CONCRETE (FRC) OR WELDED WIRE FABRIC (WWF) IS ACCEPTABLE.



CAROLINA CARPORTS INC.
P.O. BOX 1263
DOBSON, NC 27017
TOLL FREE 1-800-670-4262
LOCAL 336-367-6400
FAX 336-367-6410

This document is the property of Carolina Carports, Inc. Use of these plans without the permission of Carolina Carports is prohibited.

METAL CARPORT INSTALLATION PLANS AND DETAILS AND FRAMING AND FASTENER SPECIFICATIONS

CAROLINA CARPORTS, INC.

187 Cardinal Ridge Trail
DOBSON, NORTH CAROLINA 27017

THE OWNER IS RESPONSIBLE FOR OBTAINING A BUILDING PERMIT, IF NEEDED, AND FOR COMPLYING WITH ALL LOCAL BUILDING CODE REQUIREMENTS.

THIS IS TO CERTIFY THAT THE CALCULATIONS AND SPECIFICATIONS HEREIN HAVE BEEN PREPARED BY THE UNDERSIGNED PROFESSIONAL ENGINEER, AND ARE IN ACCORDANCE WITH THE REQUIREMENTS OF THE 2018 INTERNATIONAL BUILDING CODES AND THE 2018 NORTH CAROLINA BUILDING CODE.

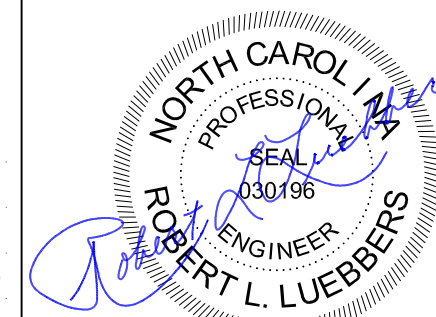
| BUILDING CODE INFORMATION | |
|---------------------------|---------|
| OCCUPANCY CATEGORY | I II |
| USE GROUP | U or S |
| CONSTRUCTION TYPE | 2B |
| IMPORTANCE FACTORS | |
| WIND Iw | 1.0 |
| SNOW Is | 0.8 1.0 |
| EARTHQUAKE Ie | 1.0 |

| DESIGN LOADS | |
|------------------------------|-------------|
| MIN. DEAD LOAD | 5 PSF |
| MIN. FLOOR LIVE LOAD | 125 PSF |
| MIN. ROOF LIVE LOAD | 20 PSF |
| MIN. GROUND SNOW LOAD | SEE TABLE 1 |
| MAX. GROUND SNOW LOAD | |
| MIN. ULTIMATE WIND SPEED | SEE TABLE 1 |
| MAX. ULTIMATE WIND SPEED | |
| EXPOSURE CATEGORY | 0.500 |
| SEISMIC RESPONSE COEFFICIENT | |

These plans have been provided for the purpose of obtaining a building permit for the construction of the building for:

Name: James M Skillen Sr
Address: 211 Burton Ave
City: Dunn State: NC
Zip: 28334

Use of these plans by anyone else or for any other purpose is prohibited.



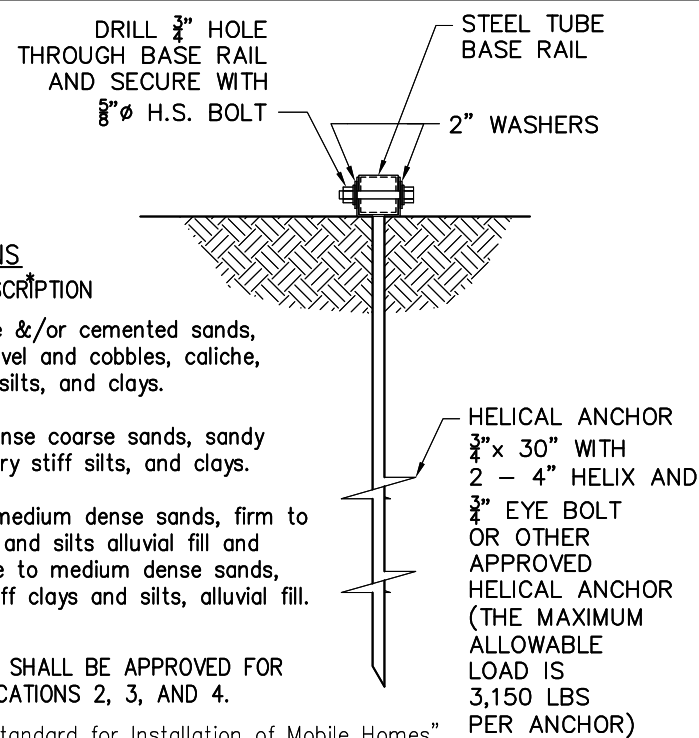
10/14/2021

SOIL CLASSIFICATIONS

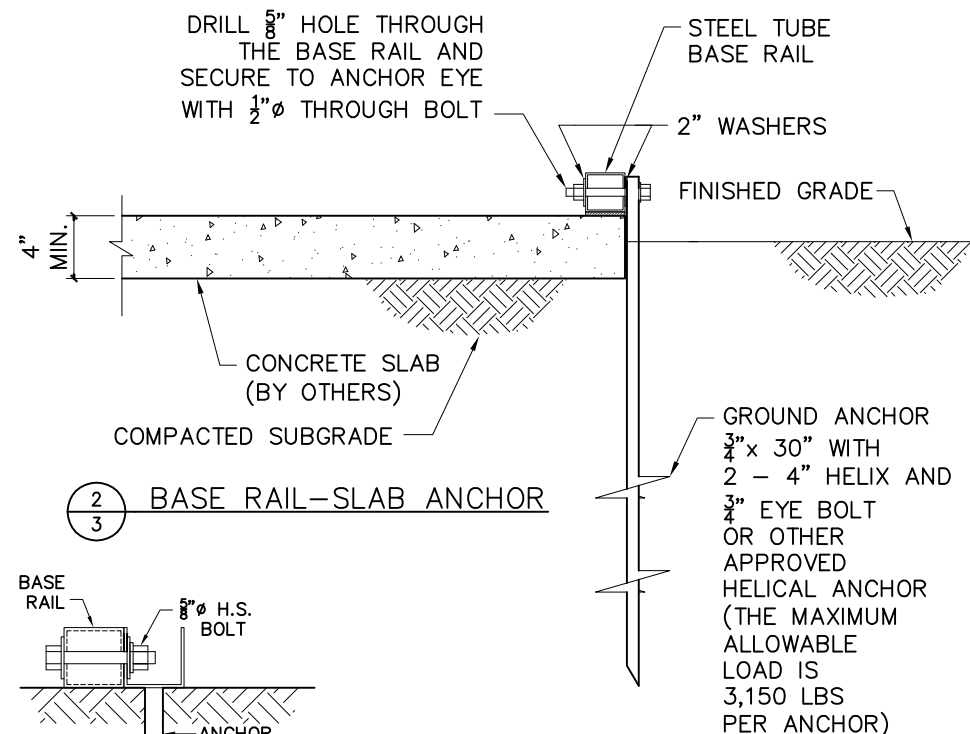
| SOIL CLASS | SOIL DESCRIPTION |
|------------|--|
| 2 | Very dense &/or cemented sands, coarse gravel and cobbles, caliche, preloaded silts, and clays. |
| 3 | Medium dense coarse sands, sandy gravels, very stiff silts, and clays. |
| 4 | Loose to medium dense sands, firm to stiff clays and silts alluvial fill and VERY loose to medium dense sands, firm to stiff clays and silts, alluvial fill. |

THE HELICAL ANCHOR SHALL BE APPROVED FOR USE IN SOIL CLASSIFICATIONS 2, 3, AND 4.

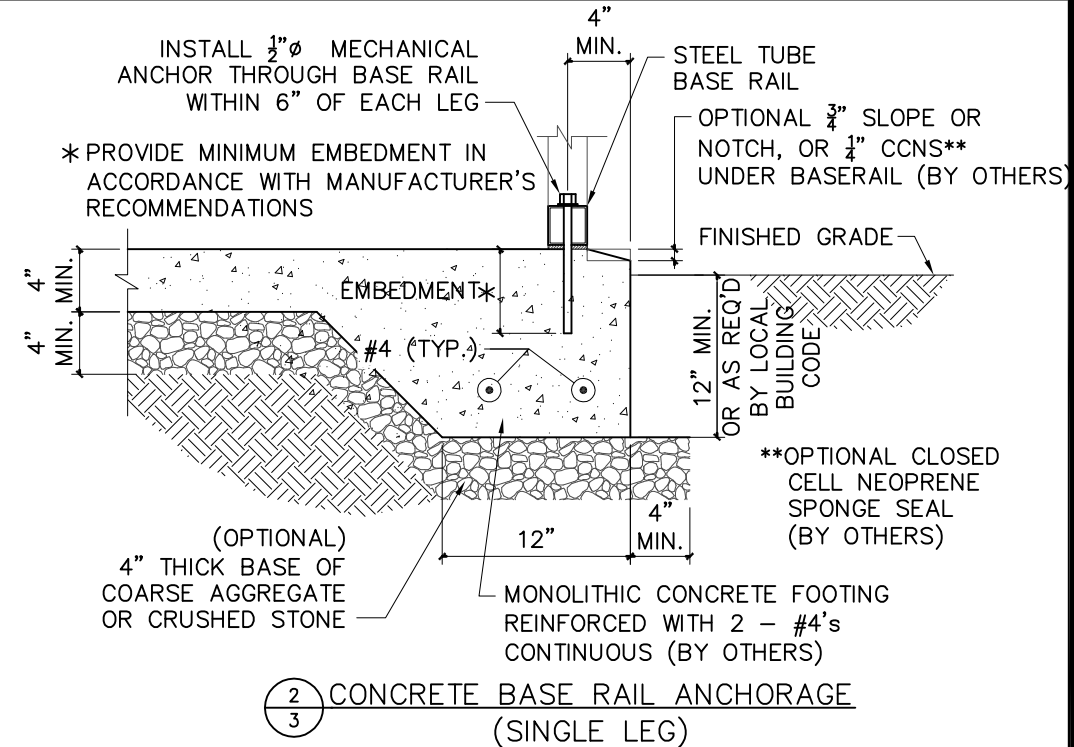
* Taken from HUD "Standard for Installation of Mobile Homes"



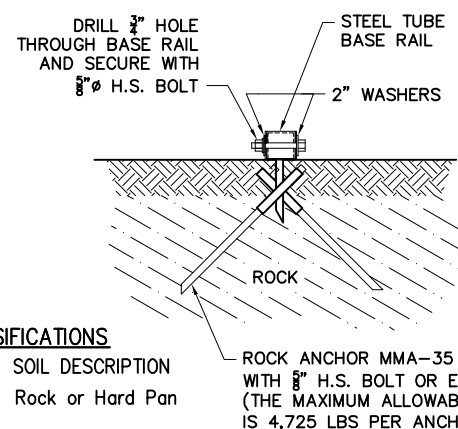
1/3 SOIL BASE RAIL ANCHOR DETAIL



2/3 BASE RAIL-SLAB ANCHOR



2/3 CONCRETE BASE RAIL ANCHORAGE (SINGLE LEG)

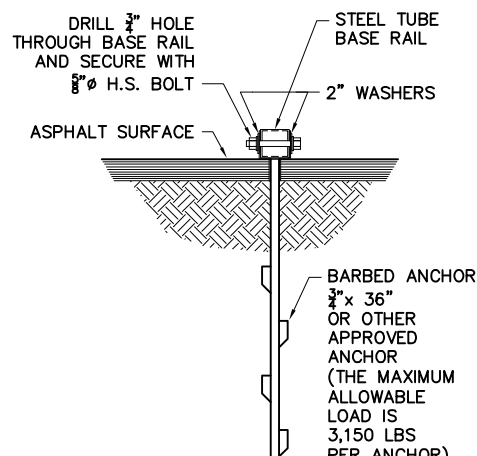


SOIL CLASSIFICATIONS

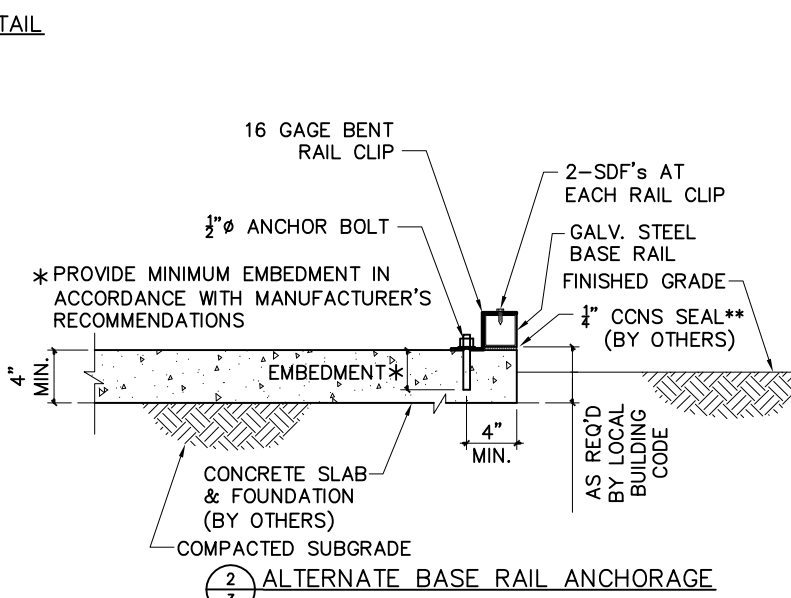
| SOIL CLASS | SOIL DESCRIPTION |
|------------|------------------|
| 1 | Rock or Hard Pan |

ROCK ANCHOR MMA-35 36 XDH WITH 5/8" H.S. BOLT OR EQUIVALENT (THE MAXIMUM ALLOWABLE LOAD IS 4,725 LBS PER ANCHOR)

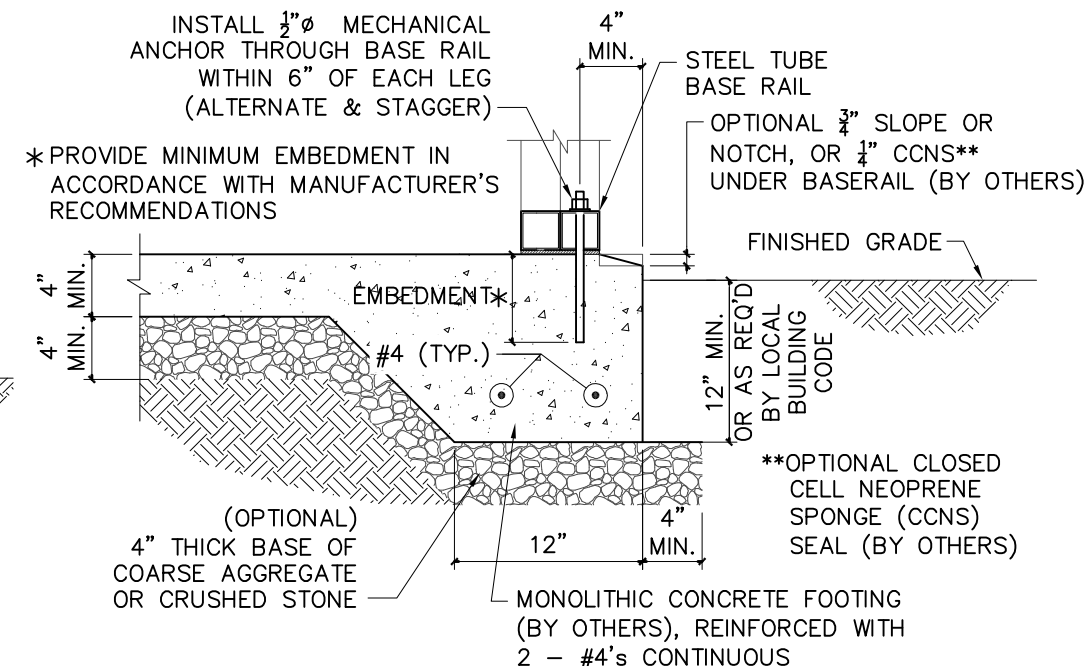
ROCK BASE RAIL ANCHOR DETAIL



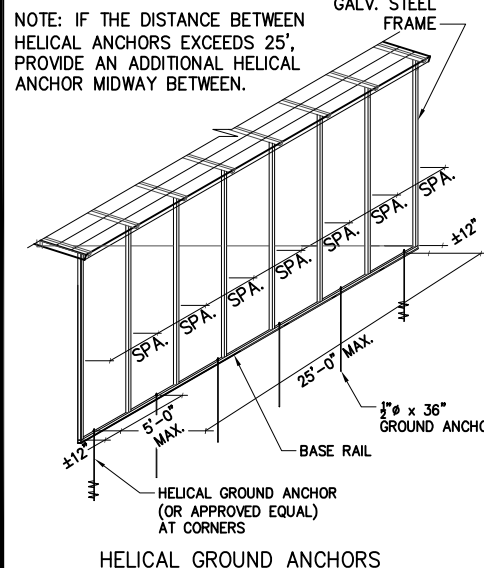
ASPHALT ANCHOR DETAIL



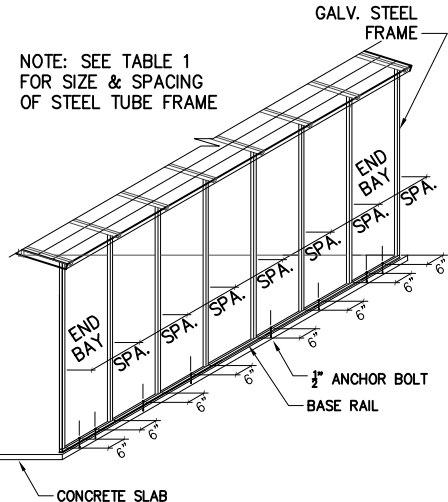
2/3 ALTERNATE BASE RAIL ANCHORAGE



2/3 CONCRETE BASE RAIL ANCHORAGE (DOUBLE LEG)

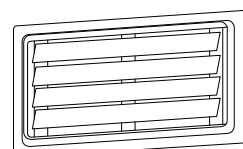


HELICAL GROUND ANCHORS



ANCHOR BOLTS

BREAKAWAY



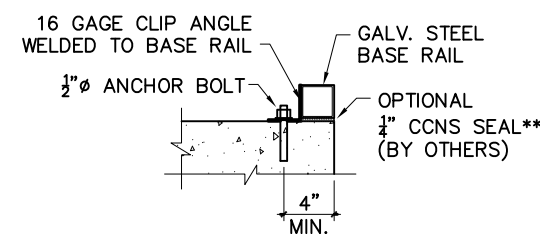
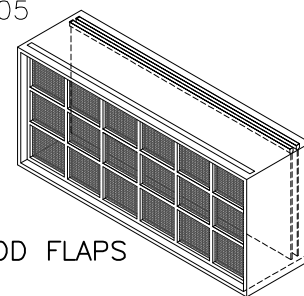
CRAWL SPACE DOOR SYSTEMS, INC.
5741 Bayside Road, #105
Virginia Beach, VA 23455
Engineered Flood Vent
Model CSBA816

OR Approved Equal

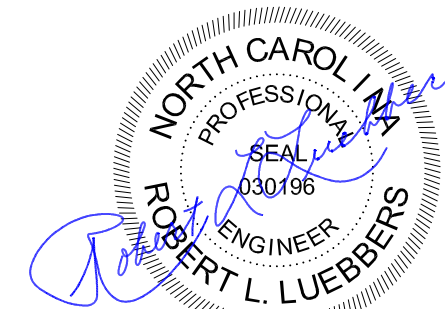
FLOOD FLAPS, LLC
2707 Waterpointe Circle
Mt. Pleasant, SC 29466
8x16x5 Flood Vent
Model FFWF05

FLOOD FLAPS

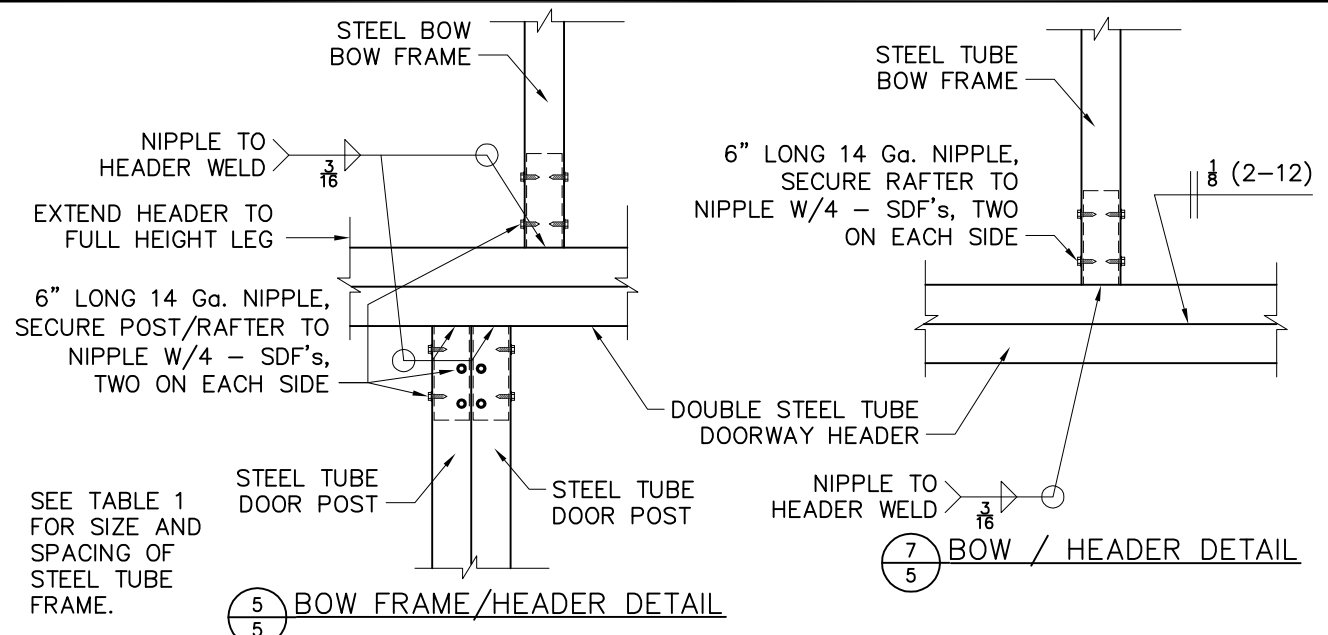
FLOOD VENTS



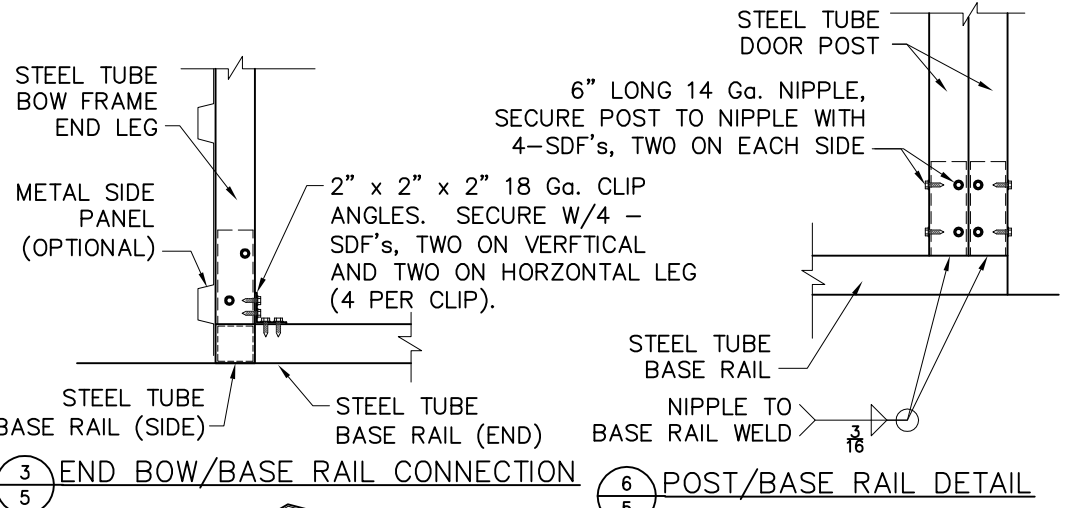
ALTERNATE BASE RAIL CLIP



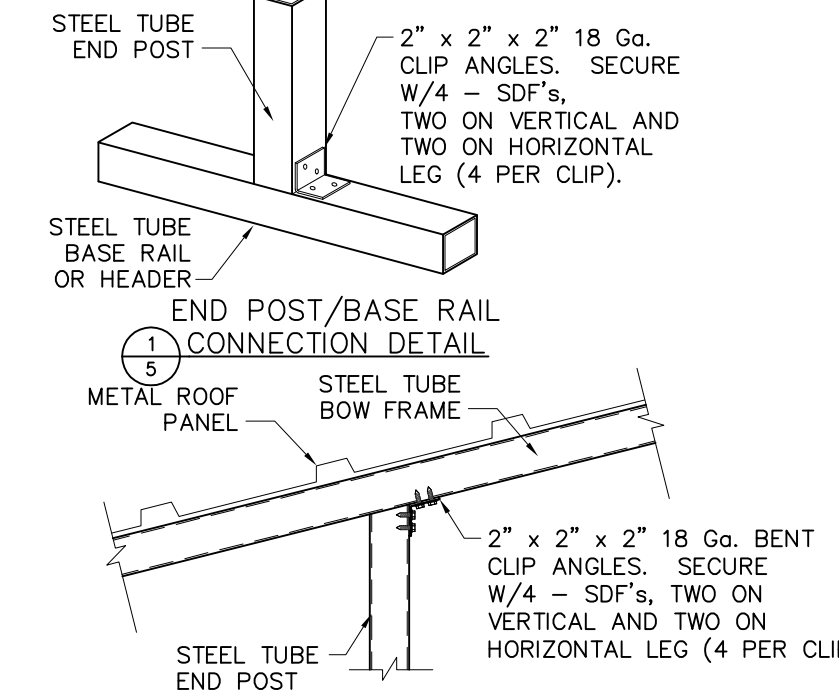
10/14/2021



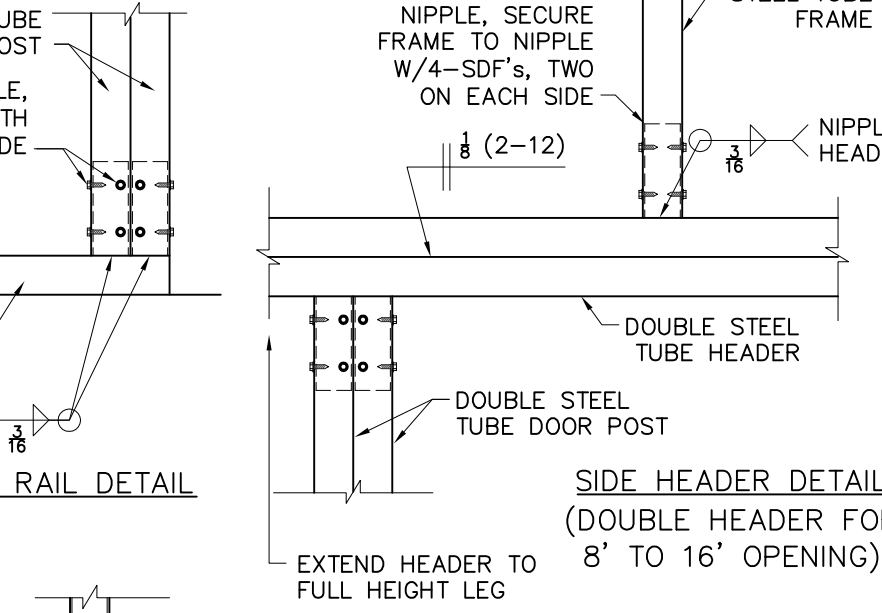
5 BOW FRAME/HEADER DETAIL



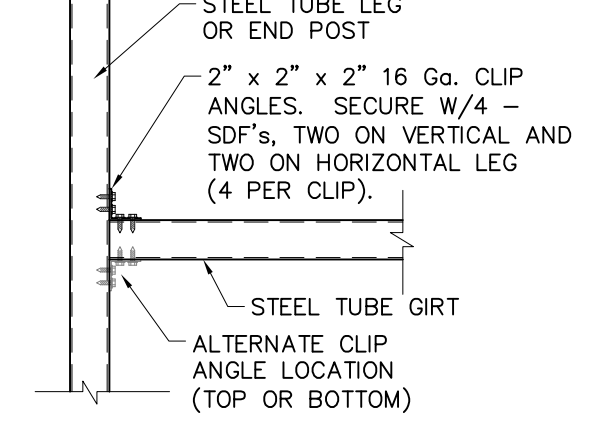
3 END BOW/BASE RAIL CONNECTION



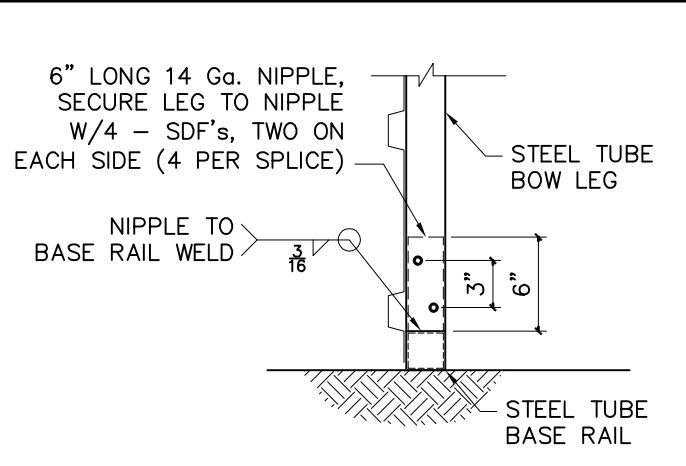
2 END POST TO BOW FRAME CONNECTION



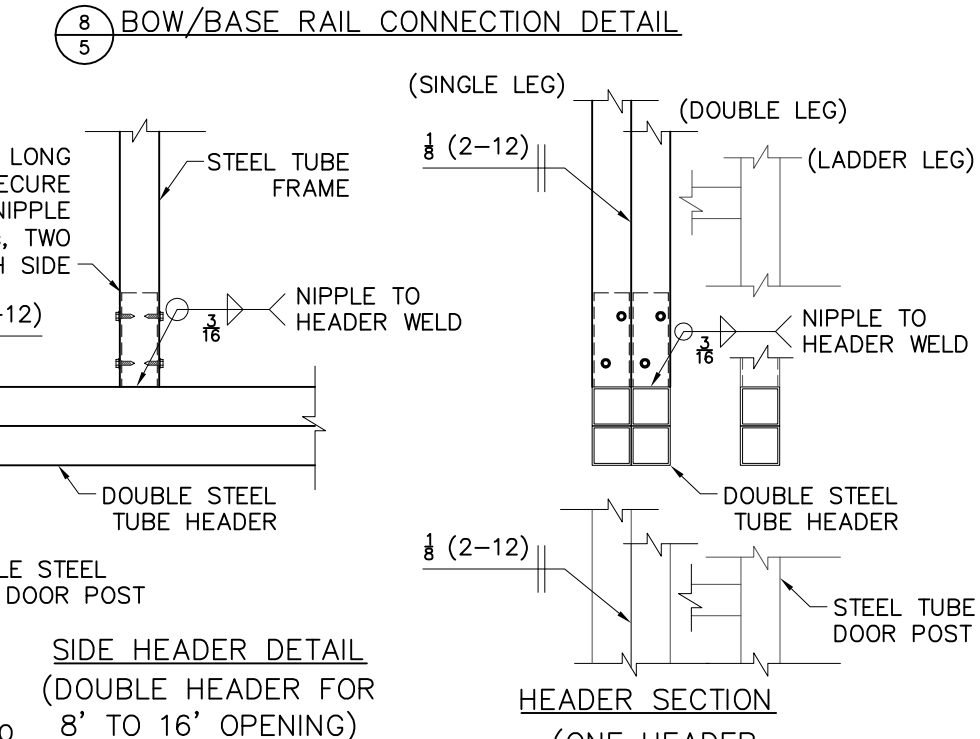
6 POST/BASE RAIL DETAIL



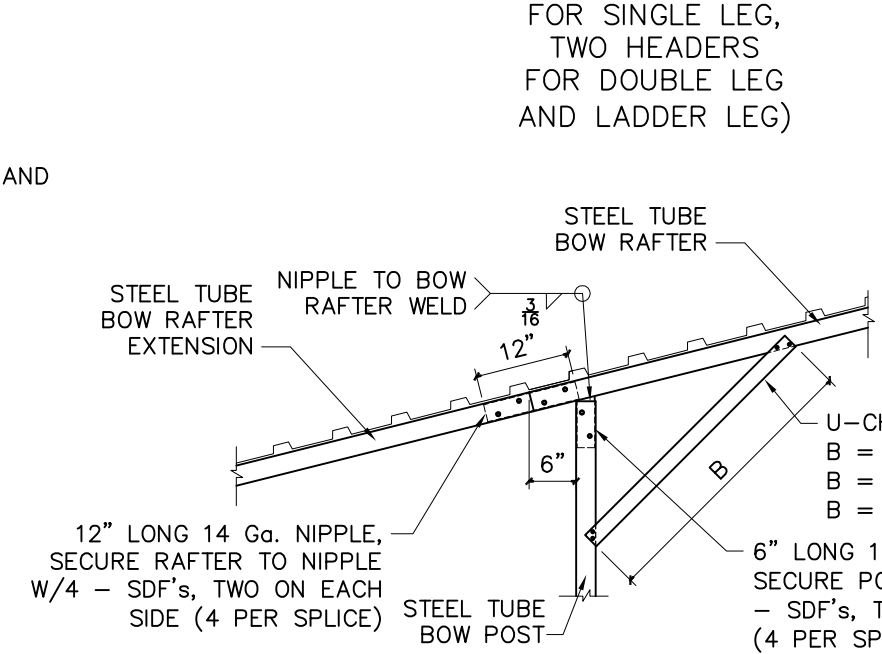
4 ENDWALL TO HEADER OR GIRT TO POST CONNECTION



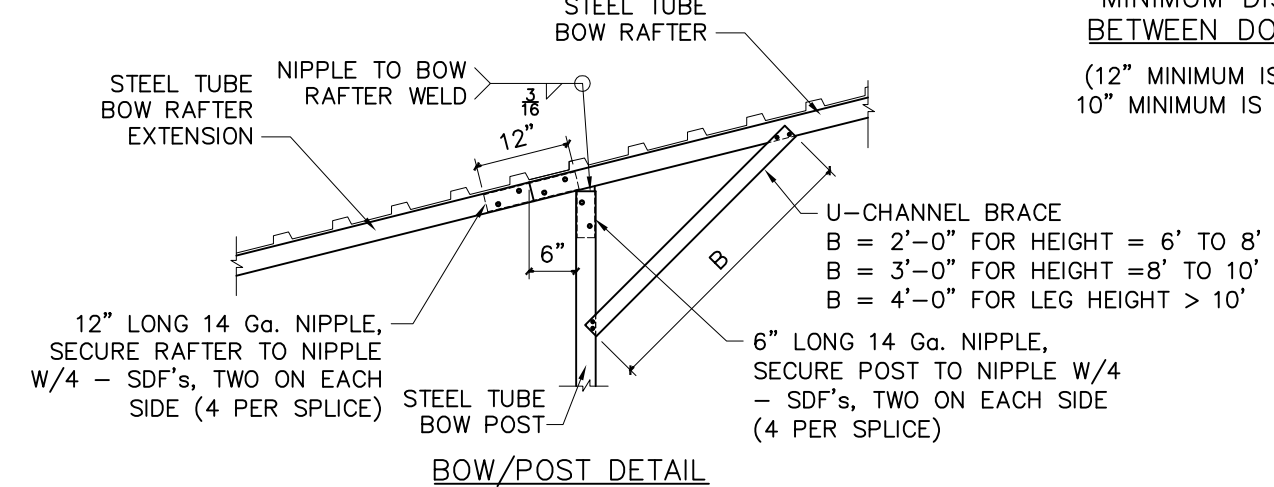
8 BOW/BASE RAIL CONNECTION DETAIL



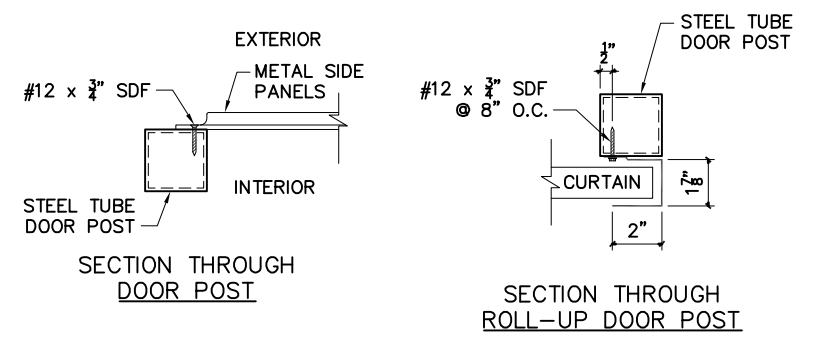
7 BOW / HEADER DETAIL



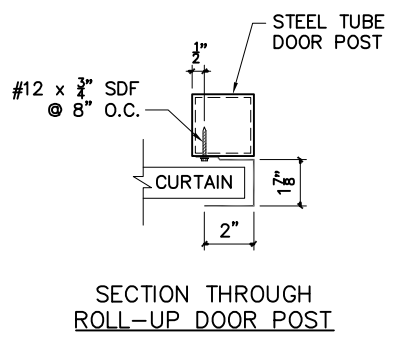
1 END POST/BASE RAIL CONNECTION DETAIL



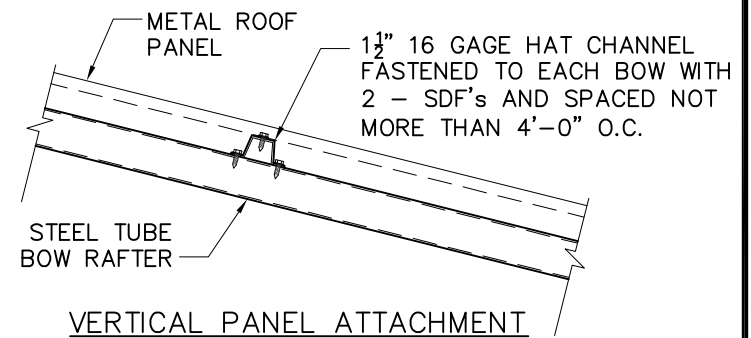
1 BOW/POST DETAIL



SECTION THROUGH DOOR POST

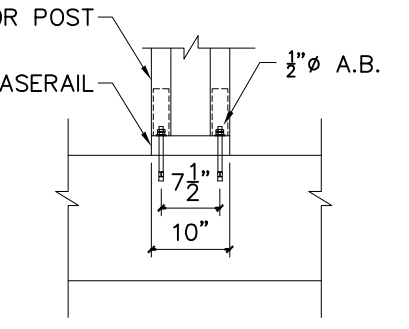


SECTION THROUGH ROLL-UP DOOR POST

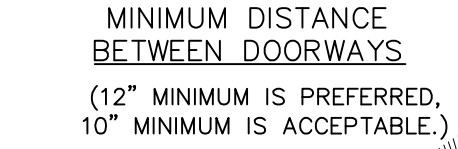


VERTICAL PANEL ATTACHMENT

| MAX. PURLIN SPACING | GROUND PURLIN | |
|---------------------|---------------|----------------|
| | SNOW LOAD PSF | PANEL SPAN FT. |
| 4\"/> | | |

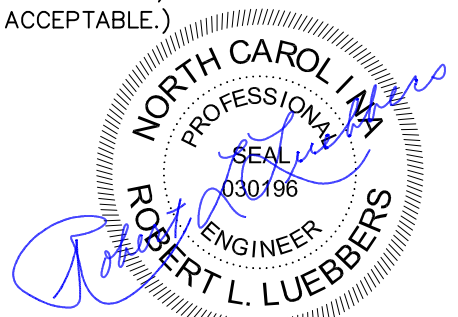


PLAN



MINIMUM DISTANCE BETWEEN DOORWAYS

(12\"/>



10/14/2021