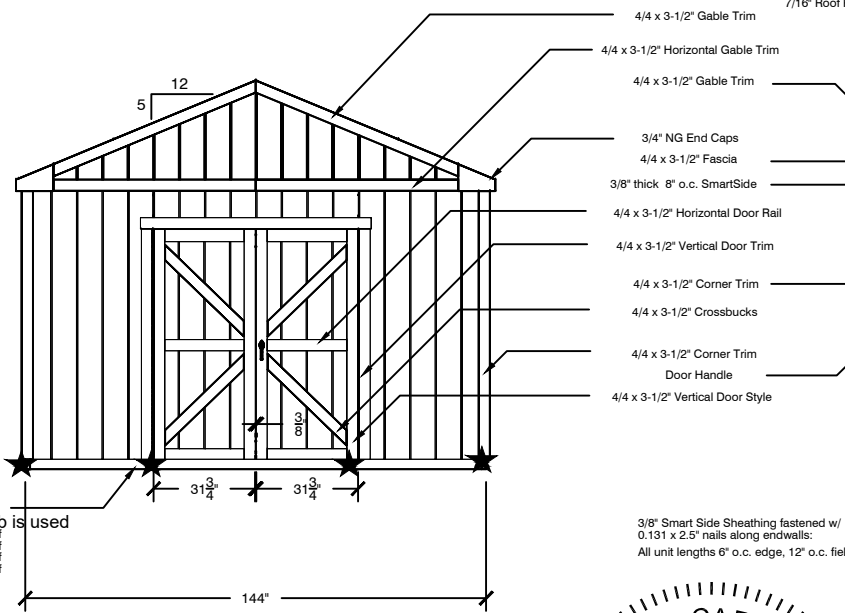
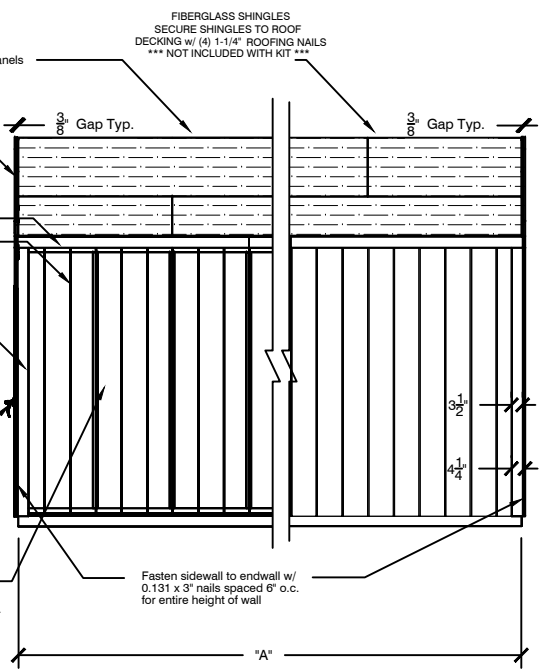


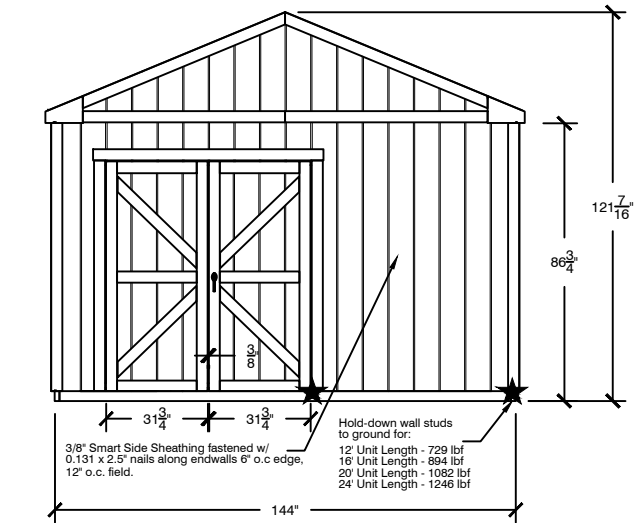
(A) GABLE ELEV. w/ TRIM OPTION #1
SCALE: 3/16" = 1'-0"



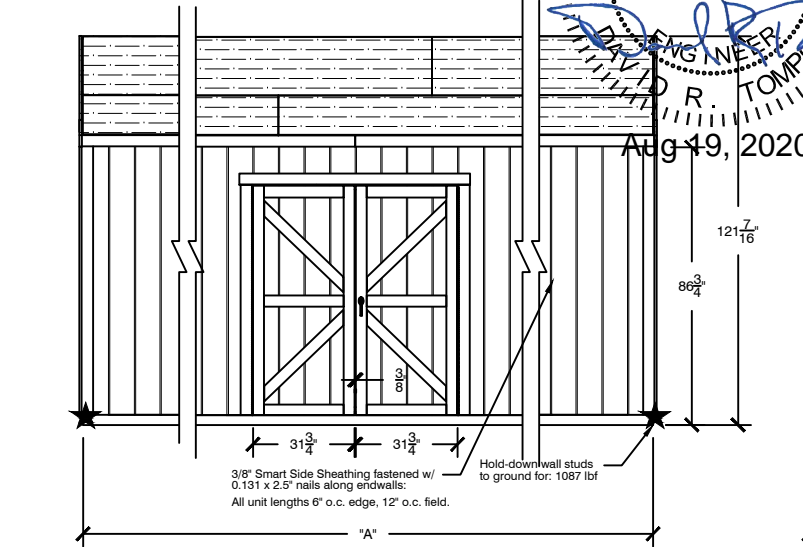
(B) GABLE ELEV. w/ TRIM OPTION #2
SCALE: 3/16" = 1'-0"



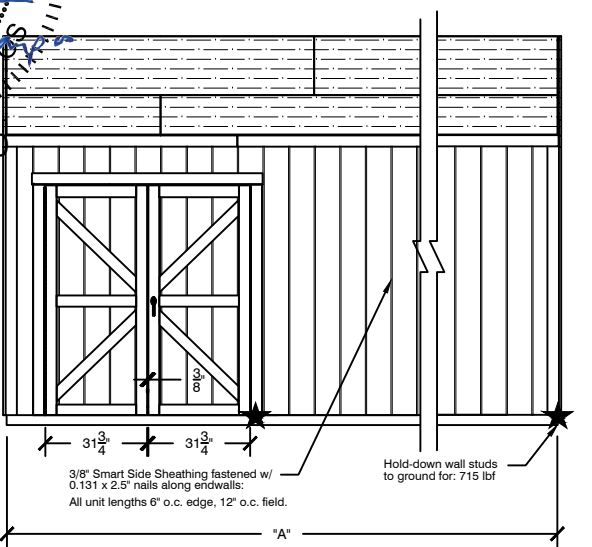
(C) EAVE ELEVATION w/o DOOR
SCALE: 3/16" = 1'-0"



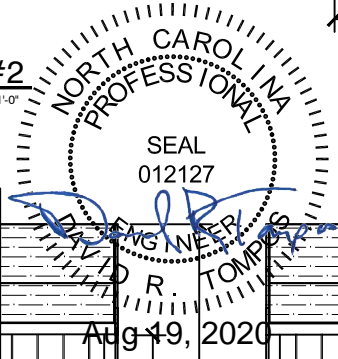
(D) GABLE ELEVATION with DOOR OFFSET
SCALE: 3/16" = 1'-0"



(E) EAVE ELEVATION with DOOR CENTERED
SCALE: 3/16" = 1'-0"



(F) EAVE ELEVATION with DOOR OFFSET
SCALE: 3/16" = 1'-0"



DESIGN CRITERIA: 2018 NORTH CAROLINA BUILDING CODE

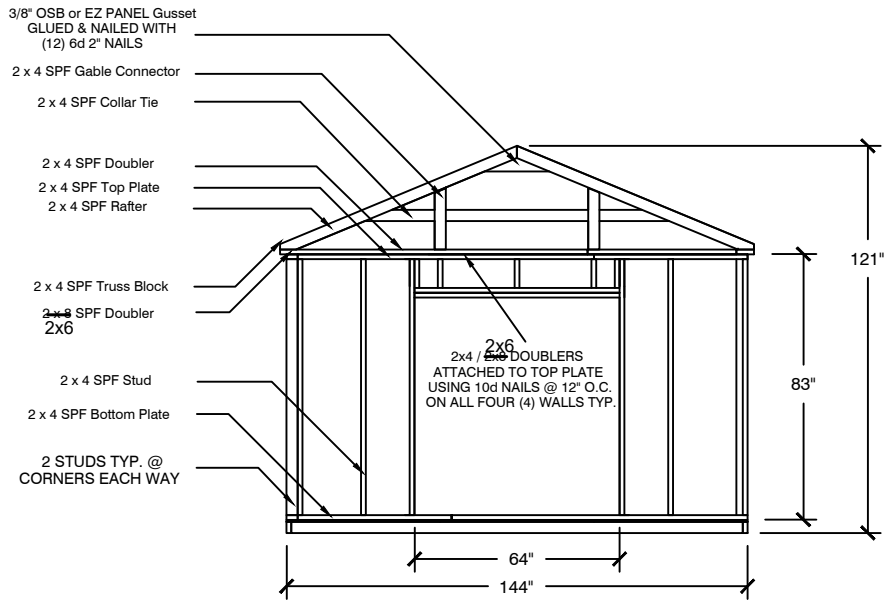
Ultimate Design Wind Speed (mph)	130	Roof Live Load (psf)	20
Wind Exposure	C	Roof Dead Load (psf)	10
Seismic Design Category	D	Floor Dead Load (psf)	10
Ground Snow Load (psf)	30	Floor Live Load (psf)	50



12'-0" GABLE STYLE ELEVATIONS

DEPTH DIM. "A"	12'-0" Base	16'-0"	20'-0"	24'-0"
Gable Style	12'-0" wide by:			
SCALE	As Noted	(800) 437-0784	SHEET	1 of 6

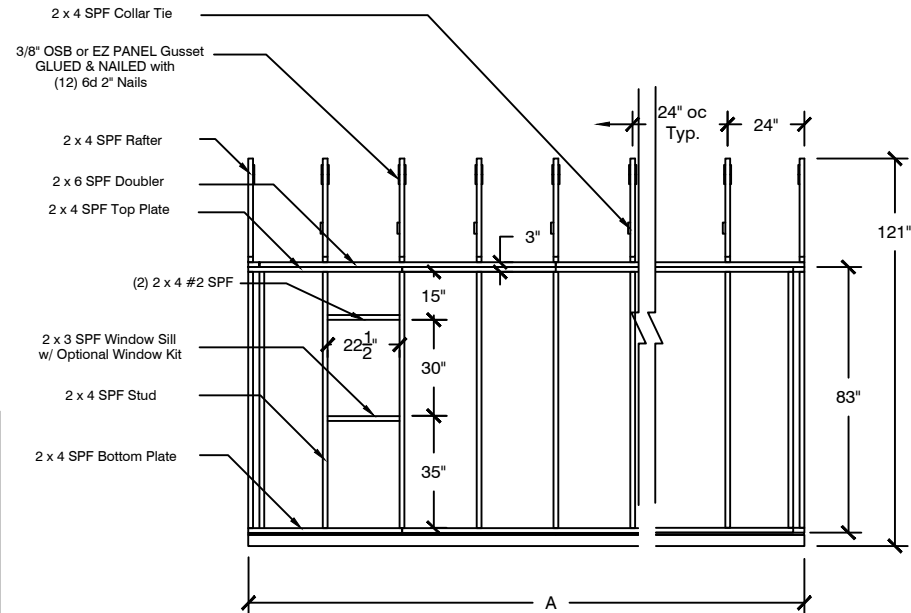
ADDRESS: 6400 E. 11 Mile Road, Warren, MI 48091-4101
 DWS BY: Scott Breitfeld
 DATE: August 03, 2020



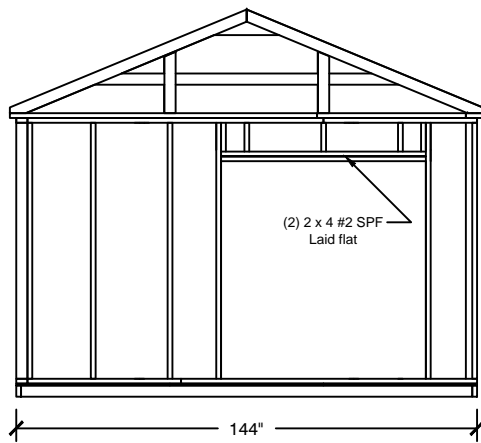
A
2 **GABLE FRAMING with DOOR CENTERED**
SCALE: 3/16" = 1'-0"

*Fasten all headers to studs w/ (6) 0.131 x 3" nails each end, (3) per ply

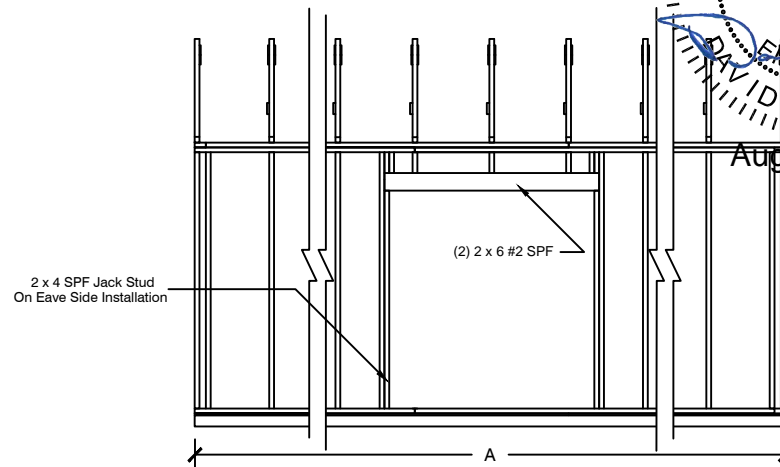
NOTE
"ALL" WINDOWS ARE DESIGNED TO BE INSTALLED BETWEEN 24" O.C. STUDS WHICH REQUIRES NO ADDITIONAL STRUCTURAL FRAMING
NAIL SIDING WITH 2" NAILS EVERY 6" AROUND THE WINDOW CUT OUT



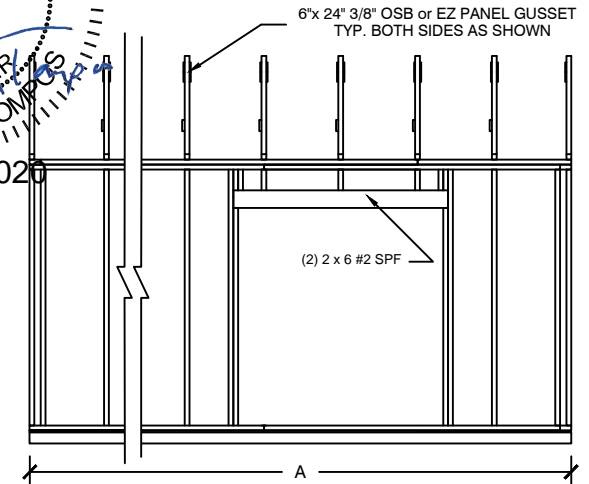
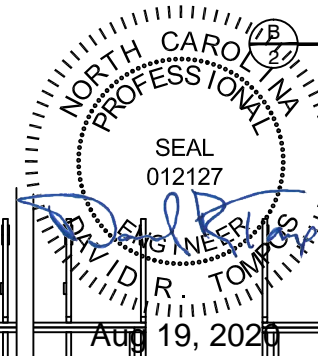
B
2 **EAVE FRAMING w/o DOOR**
SCALE: 3/16" = 1'-0"



C
2 **GABLE FRAMING with DOOR OFFSET**
SCALE: 3/16" = 1'-0"



D
2 **EAVE SIDE FRAMING w/ DOOR CENTERED**
SCALE: 3/16" = 1'-0"



E
2 **EAVE SIDE FRAMING w/ DOOR OFFSET**
SCALE: 3/16" = 1'-0"

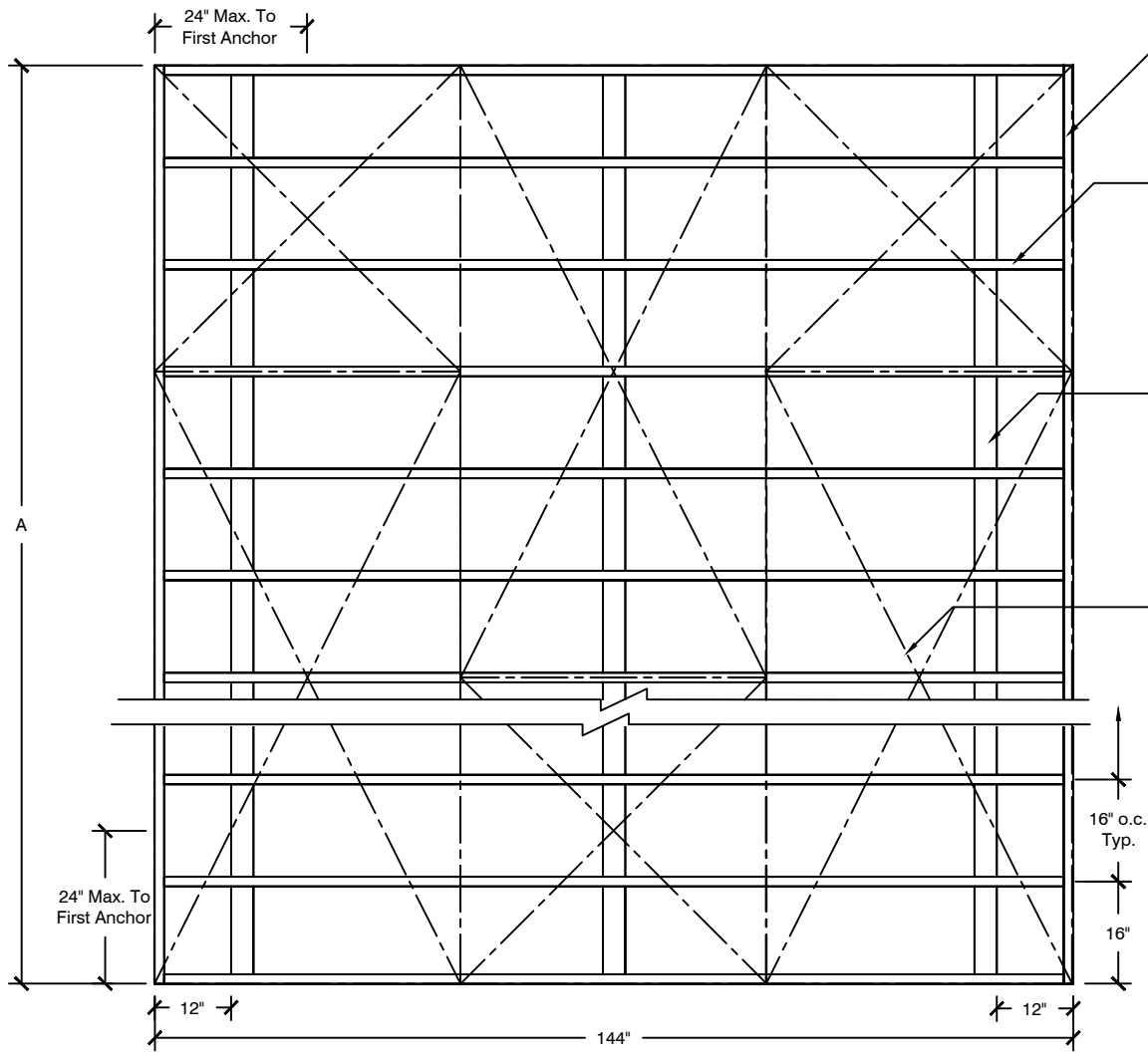
Depth Dim. "A "	12'-0" Base	16'-0"	20'-0"	24'-0"		
	Gable Style					
Gable Style 12'-0" wide by:						

12'-0" GABLE STYLE WALL FRAMING

SIZE: ADDRESS: 6400 E. 11 Mile Road Warren, MI 48091-4101 DWG BY: Scott Breifeld Last Revision: August 03, 2006

SCALE: As Noted (800) 437-0784 SHEET 2 of 6

6'-0" MAX SPAN BETWEEN EARTH ANCHORS



2x6
2x8 P.T. BOND BOARD (TYP)...
SECURE BOND @ CORNERS
W/3-10d NAILS

2x6
2x8 P.T. JOISTS @ 16" O.C. (TYP)...
SECURE JOIST TO BOX SILL
W/2-10d NAILS @ EACH JOIST

4X4 P.T. RUNNERS (TYP)...
TOE NAIL FLOOR JOIST TO RUNNERS
W/2-10d NAILS @ EACH JOIST/RUNNER
INTERSECTION

5/8" OSB STANDARD OR 3/4" CDX TREATED PLYWOOD
(Optional 3/4" CDX Treated Plywood)

Fasten roof panels w/ 8d common nails
spaced 6" at roof boundaries, 6" o.c.
at edges, 12" o.c. field.



Aug 19, 2020

NOTES:

1. WHEN CONCRETE SLAB IS USED, THIS FLOOR FRAMING IS NOT REQUIRED
2. ALL MATERIALS AND LABOR SHALL MEET OR EXCEED APPLICABLE LOCAL CODES.
3. ALL LUMBER TO BE NO. 2 GRADE SPRUCE PINE FIR OR EQUIVALENT.
4. THIS FLOOR FRAMING PLAN IS FOR THE MARCO WOOD PRODUCTS, INC. 12' WIDE GABLE STYLE BUILDING
5. IN THE EVENT OF A DIMENSIONAL OR MATERIAL DISCREPANCY, NOTIFY MARCO WOOD PRODUCTS, INC.

NOTES:

1. Min. 30" single Helix Earth Anchor Model MTE-30 (min. working load 2,250lbs) as MFD. by Tie Down Engineering, Atlanta, GA with in 24" +/- of corners and 72" +/- O.C. or required by local code
2. 4"x8"x16" solid concrete block @ 48" O.C. (TYP.) @ each runner
3. Pressure treated shims and/or shingles used for shims as needed (TYP.)

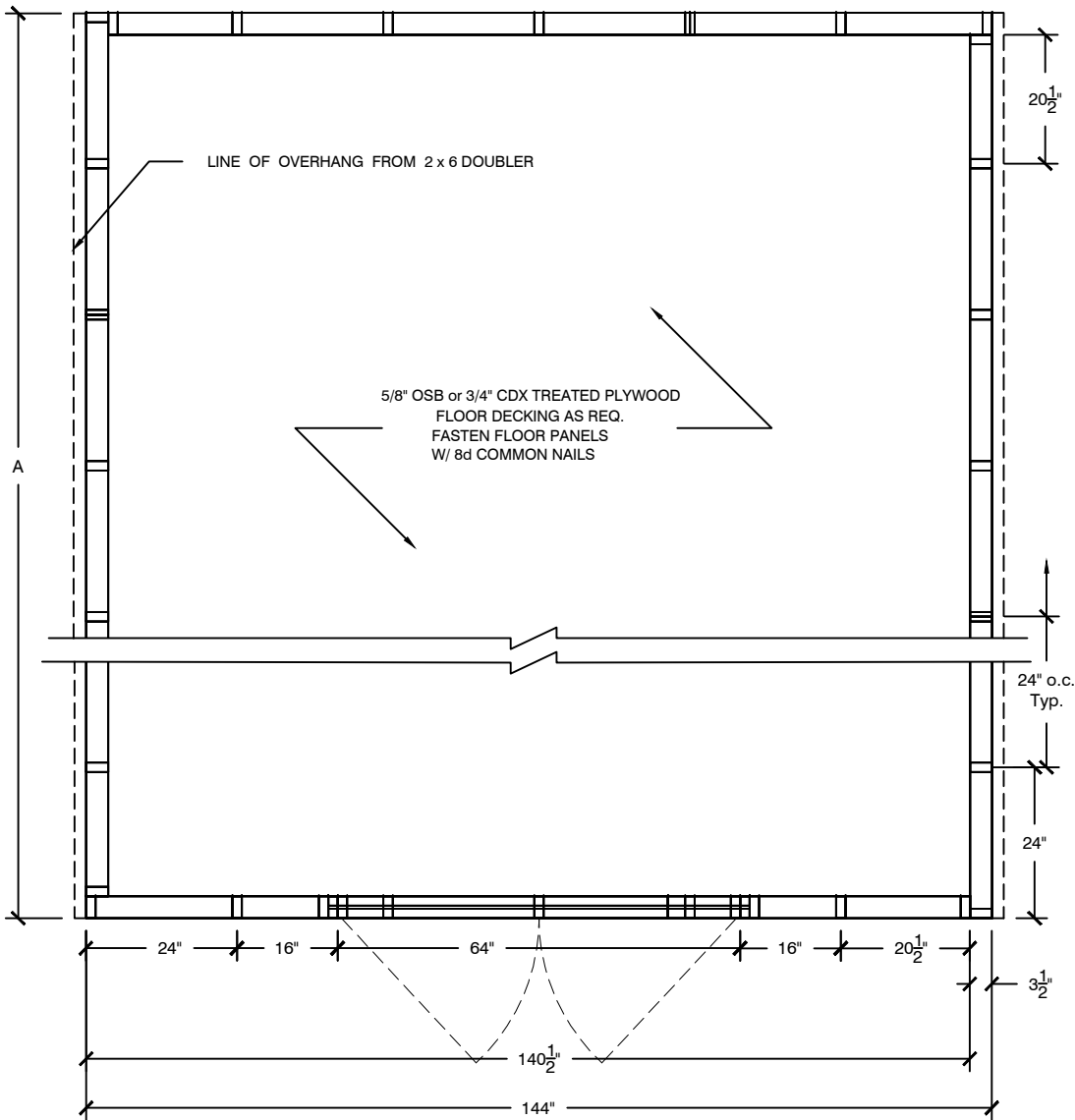
FLOOR FRAMING
SCALE: 3/8" = 1'-0"

Depth Dim. "A"	12'-0"	16'-0"	20'-0"	24'-0"		
Gable Style						
12'-0" wide by:						



12'-0" GABLE STYLE FLOOR FRAMING

SIZE: D	ADDRESS: 6400 E. 11 Mile Road Warren, MI 48091-4101	DWG BY: Scott Breitfeld	Last Revision: August 03, 2006
SCALE: As Noted	(800) 437-0784	SHEET: 3 of 6	



A
4
TYP. WALL FRAMING PLAN
SCALE: 3/8" = 1'-0"

NOTE:

1. THIS WALL PLAN IS GOOD FOR THE 12' WIDE GABLE ONLY. ALL MATERIAL AND LABOR SHALL MEET OR EXCEED APPLICABLE LOCAL CODES.

FASTEN ROOF PANELS
W/ 8d COMMON NAILS

2x4
1x4 COLLAR TIE
(6) 10d NAILS EACH END
OF COLLAR TIE TO RAFTER

TRUSS TO WALL W/ (4) #8 X #4 TOE
SCREWS OR (1) SIMPSON H2.5 OR H3.

FIBERGLASS SHINGLES SECURED
TO ROOF DECKING W/1 1/4" ROOF NAILS

1-LAYER 15# FELT

7/16" OSB ROOF DECKING
SEE ROOF FRAMING DETAIL

2 x 4 SPF RAFTER

1X4 FASCIA BOARD (opt.)
SECURE TRIM W/2-6d FINISH
NAILS @ EACH RAFTER

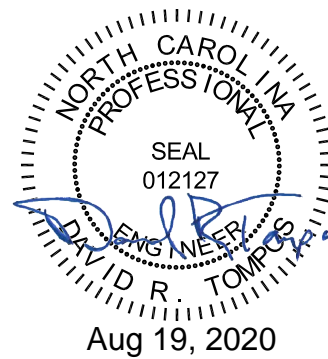
2x4 / 2x6
2x6 SPF DOUBLER

2 x 4 SPF TOP PLATE

SHEATHING GRADE 3/8"
SMARTSIDE PANEL
0.131" x 2.5" NAILS SPACED
PER SHEARWALL REQUIREMENTS

2 x 4 SPF STUD 24" O.C. TYP.

2 x 4 SPF BOTTOM PLATE



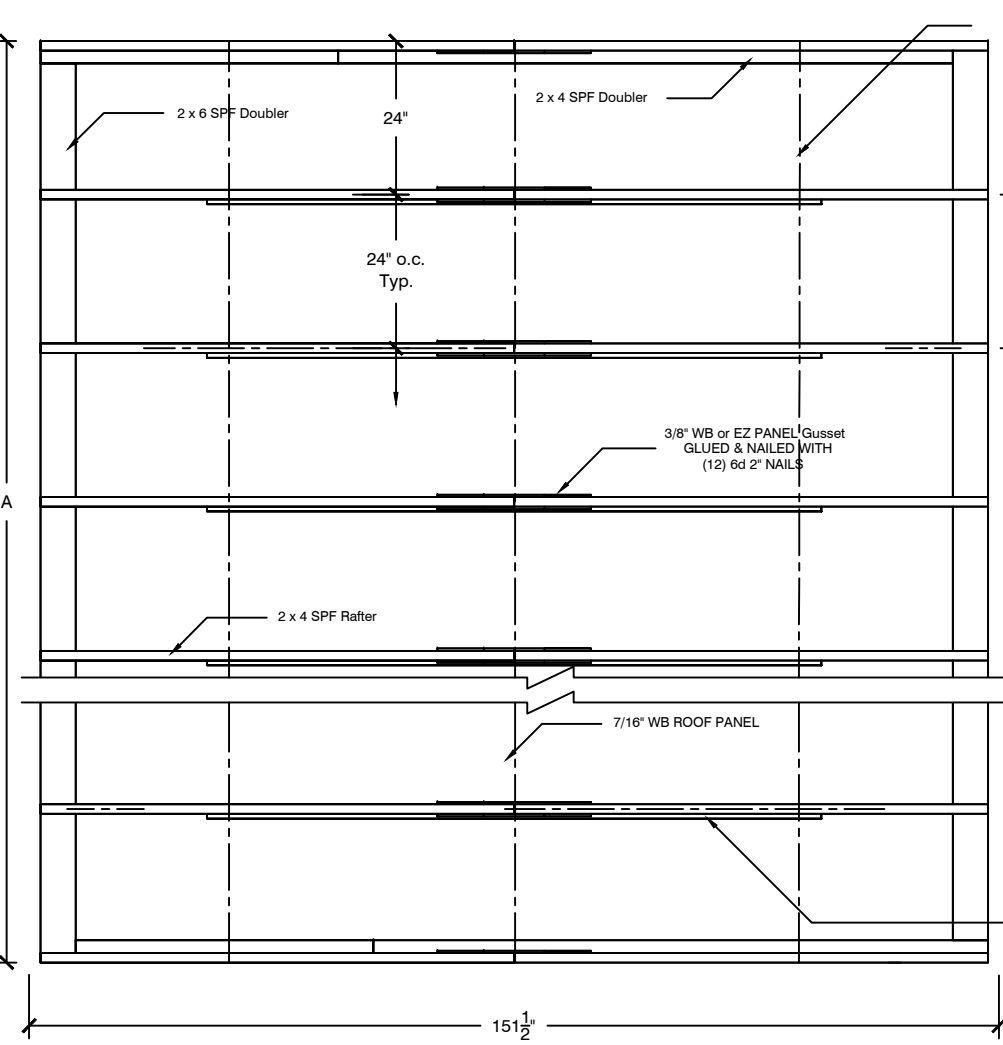
B
4
WALL SECTION
SCALE: 3/8" = 1'-0"

Depth Dim. "A "	12'-0" Base	16'-0"	20'-0"	24'-0"		
Gable Style						
12'-0" wide by:						



12'-0" GABLE STYLE WALL DETAILS

SIZE: D	ADDRESS: 6400 E. 11 Mile Road Warren, MI 48091-4101	DWG BY: Scott Breitfeld	Last Revision: August 03, 2006
SCALE: As Noted	(800) 437-0784	SHEET: 4 of 6	

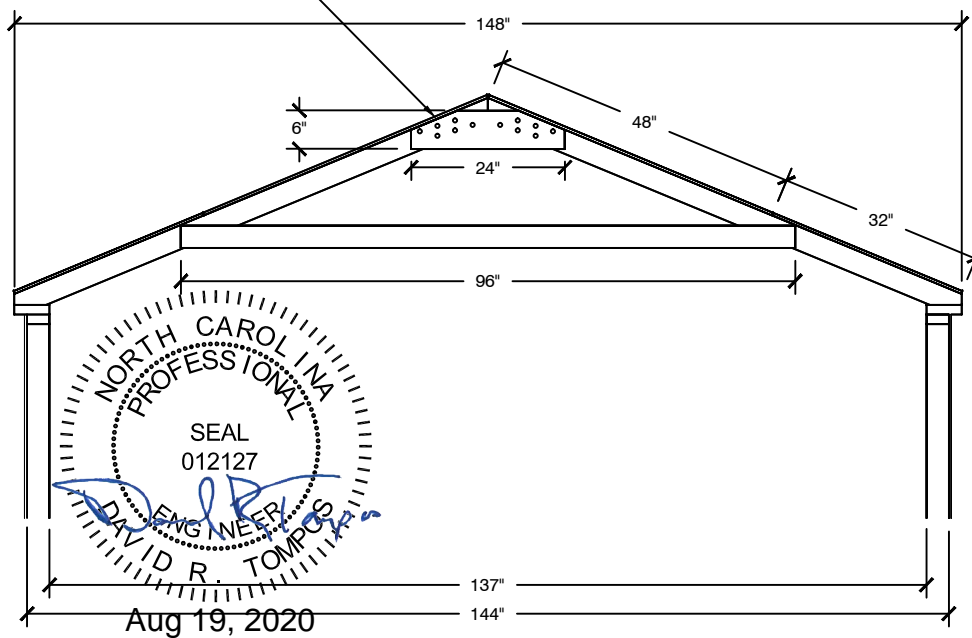


(A) ROOF FRAMING PLAN
SCALE: 3/8" = 1'-0"

NOTE:

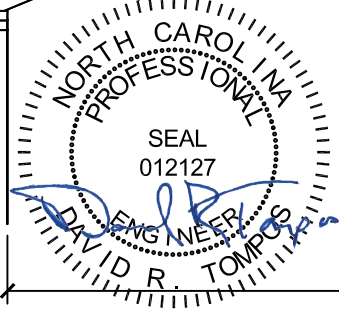
1. THIS WALL PLAN IS GOOD FOR THE 12' WIDE GABLE ONLY. ALL MATERIAL AND LABOR SHALL MEET OR EXCEED APPLICABLE LOCAL CODES.

FASTEN ROOF PANEL W/
8d COMMON NAILS



(B) RAFTER SECTION
SCALE: 3/8" = 1'-0"

2x4
COLLAR TIE
(6) 10d NAILS EACH END OF
COLLAR TIE TO RAFTER



Aug 19, 2020

NOTES:

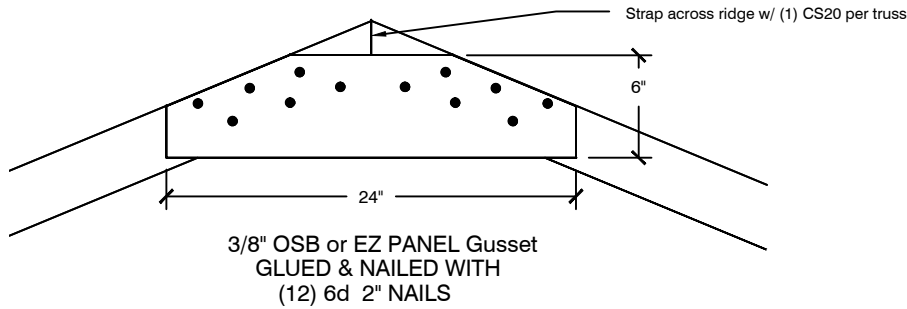
1. Approved Shingles installed per manufacturers instructions with 4 nails per shingle
2. Drip edge must overlap 2" and nailed every 12" max.

Depth Dim. "A "	12'-0" Base	16'-0"	20'-0"	24'-0"		
Gable Style 12'-0" wide by:						

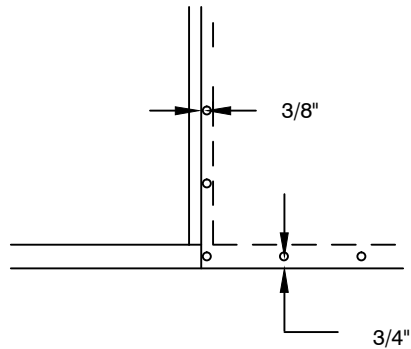


**12'-0" GABLE STYLE
ROOF DETAILS**

SIZE D	ADDRESS 6400 E. 11 Mile Road Warren, MI 48091-4101	DWG BY Scott Breitfeld	Last Revision August 03, 2006
SCALE As Noted	(800) 437-0784	SHEET 5 of 6	



A
6 **ROOF GUSSET CONNECTION DETAIL**
SCALE: 1" = 1'-0"



E
6 **SINGLE EDGE NAILING**

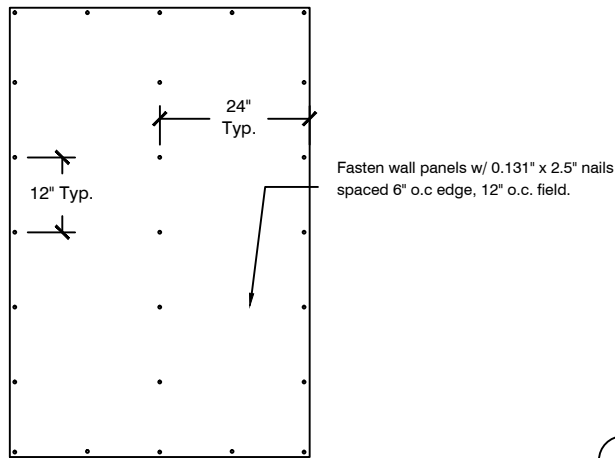


NOTES:

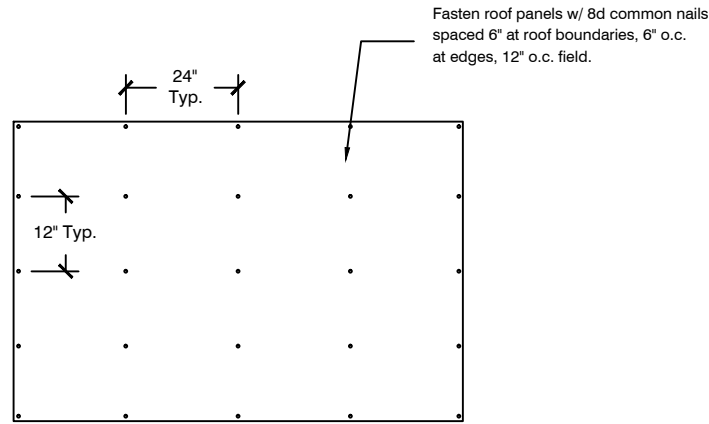
1. THESE STRUCTURAL DRAWINGS SHALL BE USED FOR THE CONSTRUCTION OF THE SHOWN STORAGE BUILDING. IN THE EVENT OF DIMENSIONAL DISCREPANCY, NOTIFY THE ENGINEER FOR RESOLUTION OF CONFLICT. ANY DEVIATION FROM THESE DRAWINGS MUST BE APPROVED BY THE ENGINEER
2. MATERIALS
 - * ALL LUMBER TO BE NUMBER 2 GRADE SPRUCE PINE FIR OR EQUIVALENT.
 - * ALL PLYWOOD SHALL CONFORM TO THE LATEST EDITION OF APA SPECIFICATIONS.
 - * ALL CONNECTORS/FASTENERS AND ITS SPACING SHALL MEET THE APPLICABLE CODES.
 - * ALL MATERIALS AND LABOR PER APPLICABLE LOCAL CODES
 - * SmartSide Panel: 3/8" APA RATED (PRP-108) AS MANUFACTURED BY LOUISIANA-PACIFIC COMPANY, PORTLAND, OR. NER 124 CODE RECOGNITION.
 - * O.S.B DECKING: 7/16" APA RATED ORIENTED STAND BOARD AS MANUFACTURED BY LOUISIANA-PACIFIC COMPANY, PORTLAND, OR.
3. THESE STRUCTURES ARE TO BE USED AS STORAGE ONLY AND NOT FOR HABITATION

ENGINEERING CALCULATIONS

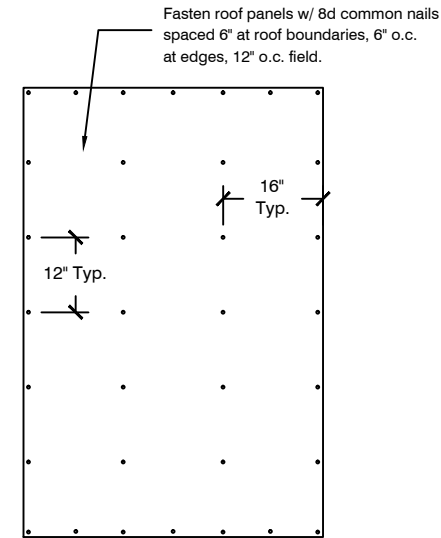
DESIGN CRITERIA:	
Design Code:	2018 North Carolina Building Code
Wind Speed:	130 mph
Exposure:	Exp. C
Roof Dead Load	10 PSF
Floor Dead Load - Wood	10 PSF
Roof Live Load	20 PSF
Floor Live Load - Wood	50 PSF
Seismic Design Category:	D
Ground Snow Load:	30 PSF
MATERIALS:	
Roof Sheathing:	7/16" Rated 24/0
Wall Sheathing:	3/8" Siding Rated 24/0



B
6 **WALL PANEL TYP. NAIL PATTERN**



C
6 **ROOF PANEL TYP. NAIL PATTERN**



D
6 **FLOOR PANEL TYP. NAIL PATTERN**

Depth Dim. "A "	12'-0" Base	16'-0"	20'-0"	24'-0"		
Gable Style						
12'-0" wide by:						



12'-0" GABLE STYLE NOTES			
SIZE	ADDRESS	DWG BY:	Last Revision
D	6400 E. 11 Mile Road Warren, MI 48091-4101	Scott Breitfeld	August 03, 2006
SCALE	As Noted	(800) 437-0784	SHEET 6 of 6