

ABBREVIATIONS

ACC.	= ACCESS
BWL.	= BRACED WALL LINE
BWP.	= BRACED WALL PANEL
C.O.	= CASED OPENING
C.J.	= CEILING JOIST
CLOS.	= CLOSET
COL.	= COLUMN
COMP.	= COMPOSITION
CONC.	= CONCRETE
CONT.	= CONTINUOUS
C.M.A.	= CARBON MONOXIDE ALARM
C.M.U.	= CONCRETE MASONRY UNIT
D.H.	= DOUBLE HUNG
DIA.	= DIAMETER
D.J.	= DOUBLE JOIST
DN.	= DOWN
E.H.	= EXHAUST
EXT.	= EXTERIOR
F.L.J.	= FLOOR JOIST
FTG.	= FOOTING
G.F.I.	= GROUND FAULT INTERRUPTER
H.B.	= HOSE BIB
LVL.	= LAMINATED VENEER LUMBER
M.O.	= MASONRY OPENING
M.S.	= MASONRY
MAX.	= MAXIMUM
M.C.	= MEDICINE CABINET
MTL.	= METAL
MIN.	= MINIMUM
O.C.	= ON CENTER
OSB	= ORIENTED STRAND BOARD
PERF.	= PERFORATED
REC.	= RECESSED
REINF.	= REINFORCED
SCR.	= SCREENED
S.D.	= SMOKE DETECTOR
SEC.	= SECOND
SHWR.	= SHOWER
S.Y.P.	= SOUTHERN YELLOW PINE
S.P.F.	= SPRUCE/PINE/FIR
SUSP.	= SUSPENDED
TP.	= TYPICAL
U.O.N.	= UNLESS OTHERWISE NOTED
WASH.	= WASHER
W.H.	= WATER HEATER
W.P.	= WEATHER PROOF
W.W.M.	= WELDED WIRE MESH
WIDW. HT.	= WINDOW HEIGHT
WD.	= WOOD

SYMBOLS

—O—	= HOSE BIB
S	= SWITCH
S ₃	= 3-WAY SWITCH
⊙	= LIGHT FIXTURE
⊞	= EXHAUST FAN & LIGHT
⊞	= SMOKE DETECTOR
▶	= SHOWER HEAD
⊞	= TELEPHONE JACK
⊞	= CONVENIENCE OUTLET
⊞	= 220 VOLT OUTLET
⊞	= GROUND FAULT INTERRUPTER
⊞	= CEILING FAN
⊞	= CARBON MONOXIDE ALARM

GENERAL NOTES AND SPECIFICATIONS

COPYRIGHT

THIS PLAN IS PROTECTED UNDER THE FEDERAL COPYRIGHT ACT. REPRODUCTION IN WHOLE OR IN PART, INCLUDING DIRECT COPYING AND/OR PREPARATION OF DERIVATIVE WORKS, FOR ANY REASON WITHOUT THE PRIOR WRITTEN CONSENT FROM STANDARD HOMES PLAN SERVICE, INC. IS STRICTLY PROHIBITED.

ORIGINAL PURCHASE AGREEMENT

SEE ATTACHED CONSTRUCTION LICENSE FOR INVOICE NUMBER 12962.

BUILDING CODE INFORMATION

THIS PLAN HAS BEEN DRAWN TO CONFORM TO THE NORTH CAROLINA RESIDENTIAL CODE, 2018 EDITION, (2015 INTERNATIONAL RESIDENTIAL CODE FOR ONE- AND TWO-FAMILY DWELLINGS, CURRENT EDITION) WITH AMENDMENTS UNLESS OTHERWISE NOTED. (SEE ATTACHMENTS)

PRIOR TO CONSTRUCTION

THE CONTRACTOR SHALL REVIEW THE PLAN(S) FOR THIS PARTICULAR BUILDING PROJECT TO ENSURE COMPLIANCE WITH ALL NATIONAL, STATE AND LOCAL CODES, CLIMATIC GEOGRAPHIC DESIGN CRITERIA, AND ANY OTHER PROVISIONS THAT MAY BE REQUIRED BY VA/THA/RD.

THE CONTRACTOR SHALL VERIFY PLAN DIMENSIONS, STRUCTURAL COMPONENTS, AND GENERAL SPECIFICATIONS CONTAINED IN THIS SET OF PLANS AND REPORT ANY DISCREPANCIES TO STANDARD HOMES PLAN SERVICE, INC. FOR JUSTIFICATION OR CORRECTION BEFORE PROCEEDING WITH WORK ON HOUSE.

THE CONTRACTOR SHALL DETERMINE ROUGH OPENING SIZES FOR ALL BUILT-IN EQUIPMENT AND/OR FACILITIES AND ADJUST PLAN DIMENSIONS AS REQUIRED.

DO NOT SCALE FROM BLUEPRINTS. REFER TO THE LABELED DIMENSIONS FOR ACTUAL MEASUREMENTS.

IT SHALL BE THE RESPONSIBILITY OF THE OWNER/BUILDER TO PROVIDE FOR THE SERVICES OF A PROFESSIONAL ENGINEER IF REQUIRED BY THE BUILDING CODE OFFICIAL.

SHIPPING DATE : 05/25/2022

STAMP MUST APPEAR IN RED. PLANS FOR WHICH A BUILDING PERMIT HAS NOT BEEN OBTAINED ONE YEAR FROM THE ABOVE DATE IS SUBJECT TO REVIEW BY STANDARD HOMES PLAN SERVICE, INC. A FEE MAY BE CHARGED FOR THIS SERVICE.

EXCAVATION

EXCAVATE TO UNDISTURBED SOIL. BOTTOM OF FOOTING SHALL EXTEND BELOW LOCAL FROST LINE AND TO A MINIMUM DEPTH OF 12" BELOW ADJACENT GRADE. (PRESUMED 2000 PSF SOIL BEARING CAPACITY).

EXPANSIVE, COMPRESSIVE OR SHIFTING SOILS SHALL BE REMOVED TO A DEPTH AND WIDTH SUFFICIENT TO ASSUME A STABLE MOISTURE CONTENT IN EACH ACTIVE ZONE.

FOUNDATION

PROVIDE 1/2" DIA. STEEL ANCHOR BOLTS 6"-0" O.C., 1'-0" MAX. FROM CORNERS AND 1'-0" MAX. FROM ENDS OF EACH PLATE SECTION, WITH 7" MIN. EMBEDMENT.

PROVIDE FOUNDATION WATERPROOFING AND DRAIN WITH POSITIVE SLOPE TO OUTLET AS REQUIRED BY SITE CONDITIONS.

SLOPE GRADE AWAY FROM FOUNDATION WALLS 6" MINIMUM WITHIN THE FIRST 10 FEET.

PROVIDE PRESSURE TREATED LUMBER FOR SILLS, PLATES, BANDS AND ANY LUMBER IN CONTACT WITH MASONRY.

PROVIDE APPROVED AND BONDED CHEMICAL SOIL TREATMENT AGAINST FUNGUS, TERMITES AND OTHER HARMFUL INSECTS.

CRAWL SPACE

ALL GIRDER JOINTS AND ENDS OF GIRDERS SHALL REST ON SOLID BEARINGS. FILL CORES OF HOLLOW MASONRY TO FOOTING WITH CONCRETE. FILL TOP COURSE CORES OF EXTERIOR FOUNDATION WALL WITH CONCRETE.

FOOTINGS SHALL EXTEND 6" AND SHALL BE 12" THICK UNDER GIRDER PIERS.

CHIMNEY FOOTING SHALL EXTEND 12" MINIMUM BEYOND EACH SIDE AND SHALL BE AT LEAST 12" THICK.

BASEMENT

ALL GIRDER JOINTS SHALL BREAK ON COLUMN CENTER LINES (STAGGERED) AND ENDS OF GIRDERS SHALL REST ON SOLID MASONRY.

DOUBLE SILL AND USE LEDGER OVER ALL BASEMENT OPENINGS.

ALL BASE. SASH SHALL BE 18/20 2-LT. 3'-3 7/8" X 1'-11 15/16" 3420 HB.

FRAMING

ALL FLOOR JOISTS, CEILING JOISTS, RAFTERS, GIRDERS, HEADERS, SILLS AND BEAMS SHALL BE NO. 2 SPRUCE/PINE/FIR (S.P.F.) UNLESS OTHERWISE INDICATED.

ALL LOAD BEARING WALLS SHALL BE STUD GRADE SPRUCE/PINE/FIR (S.P.F.) UNLESS OTHERWISE INDICATED.

DESIGN SPECIFICATIONS FOR LAMINATED VENEER LUMBER (LVL) BEAMS AND HEADERS :

GRADE : 2950FD-2.0E
BENDING Fb : 2950
MOE : 2.0 X 10⁶
SHEAR Fv : 290

SUPPORT FOR HEADERS:

HEADERS SHALL BE SUPPORTED ON EACH END WITH ONE OR MORE JACK STUDS OR WITH APPROVED FRAMING ANCHORS IN ACCORDANCE WITH BUILDING CODE (SEE PLAN). THE FULL-HEIGHT STUD ADJACENT TO EACH END OF THE HEADER SHALL BE END NAILED TO EACH END OF THE HEADER WITH FOUR-16D NAILS. SEE TABLE BELOW.

MINIMUM NUMBER OF FULL HEIGHT STUDS AT EACH END OF HEADERS IN EXTERIOR WALLS:

HEADER SPAN (FEET)	MAXIMUM STUD SPACING (INCHES)
3 FEET OR LESS	24
4 FT.	1
8 FT.	2
12 FT.	3
16 FT.	4

CLIMATIC AND GEOGRAPHICAL DESIGN CRITERIA

ROOF LIVE LOAD (POUNDS PER SQUARE FOOT) : 20 PSF
ULTIMATE DESIGN WIND SPEED (MILES PER HOUR) : 120 MPH
NOMINAL DESIGN WIND SPEED : 93 MPH

EXPOSURE CATEGORY "B" UNLESS OTHERWISE NOTED
WINDOW DESIGN PRESSURE RATING : DP 25
COMPONENT AND CLADDING LOADS FOR A BUILDING WITH A MEAN ROOF HEIGHT OF 30 FEET OR LESS:

PRESSURE ZONE	ULTIMATE DESIGN WIND SPEED (MPH)			
	115	120	130	140
ZONE 1	13.1, -14.0	14.2, -15.0	16.7, -18.0	19.4, -21.0
ZONE 2	13.1, -16.0	14.2, -18.0	16.7, -21.0	19.4, -24.0
ZONE 3	13.1, -16.0	14.2, -18.0	16.7, -21.0	19.4, -24.0
ZONE 4	14.3, -15.0	15.5, -16.0	18.2, -19.0	21.2, -22.0
ZONE 5	14.3, -19.0	15.5, -20.0	18.2, -24.0	21.2, -28.0

ASSUMED MEAN ROOF HEIGHT: 25'-4"

SEISMIC CONDITION BY ZONE : ZONES A AND B
SUBJECT TO DAMAGE FROM WEATHERING : MODERATE

CLIMATE ZONES (UNLESS OTHERWISE NOTED): ZONES 3 AND 4
MINIMUM VALUES FOR ENERGY COMPLIANCE:
CEILING R-38; EXTERIOR WALLS R-15; FLOORS R-19
WINDOW U-FACTOR ≤ 0.35; RECOMMENDED SHGC ≤ 0.30

MISCELLANEOUS

LOCATE ALL CONVENIENCE OUTLETS ABOVE KITCHEN BASE CABINETS 42" ABOVE FINISHED FLOOR.

EMERGENCY EGRESS REQUIREMENTS

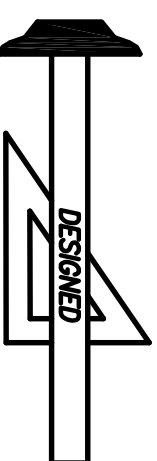
IT SHALL BE THE RESPONSIBILITY OF THE OWNER/BUILDER TO VERIFY CONFORMITY WITH EGRESS REQUIREMENTS BASED ON SPECIFICATIONS PROVIDED BY WINDOW MANUFACTURER.

2018 NORTH CAROLINA RESIDENTIAL CODE

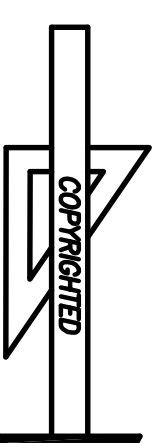
THE REQUIRED EGRESS WINDOW FROM EVERY SLEEPING ROOM SHALL HAVE A SILL HEIGHT OF NOT MORE THAN 44 INCHES ABOVE FINISHED FLOOR. THE NET CLEAR OPENING SHALL NOT BE LESS THAN 4.0 SQUARE FEET WHERE THE NET CLEAR OPENING HEIGHT SHALL BE AT LEAST 22 INCHES AND THE NET CLEAR OPENING WIDTH SHALL BE AT LEAST 20 INCHES. IN ADDITION THE MINIMUM TOTAL GLASS AREA SHALL NOT BE LESS THAN 5.0 SQUARE FEET IN THE CASE OF A GROUND STORY WINDOW AND NOT LESS THAN 5.7 SQUARE FEET IN THE CASE OF A SECOND STORY WINDOW.

2015 INTERNATIONAL RESIDENTIAL CODE

THE REQUIRED EGRESS WINDOW FROM EVERY SLEEPING ROOM SHALL HAVE A SILL HEIGHT OF NOT MORE THAN 44 INCHES ABOVE FINISHED FLOOR. ALL EMERGENCY ESCAPE AND RESCUE OPENINGS SHALL HAVE A MINIMUM NET CLEAR OPENING OF 5.7 SQUARE FEET EXCEPT GRADE FLOOR OPENINGS SHALL HAVE A MINIMUM NET OPENING OF 5 SQUARE FEET. THE MINIMUM NET CLEAR OPENING HEIGHT SHALL BE 24 INCHES. THE MINIMUM NET CLEAR OPENING WIDTH SHALL BE 20 INCHES

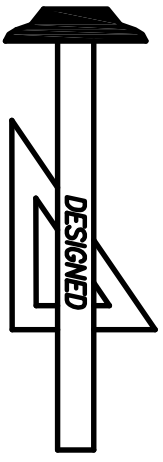


Standard Homes Plan Service, Inc.
7200 SUNSET LAKE ROAD FUQUAY-VARINA, NC 27526
(919)552-5677

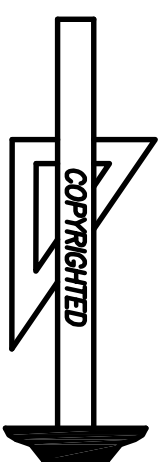


DESIGNED FOR	PLAN	NO.	MAT'L	SHOWN	SHEET
MATT TAYLOR	HORIZON	2	SID.		1 OF 9

REVISED: 05-23-22



Standard Homes Plan Service, Inc.
 7200 SUNSET LAKE ROAD FUQUAY-VARINA, NC 27526 (919)552-5677
 SEE HOME DESIGN PREVIEWS ONLINE AT WWW.STANDARDHOMES.COM



DESIGNED FOR
 MATT TAYLOR

PLAN
 HORIZON

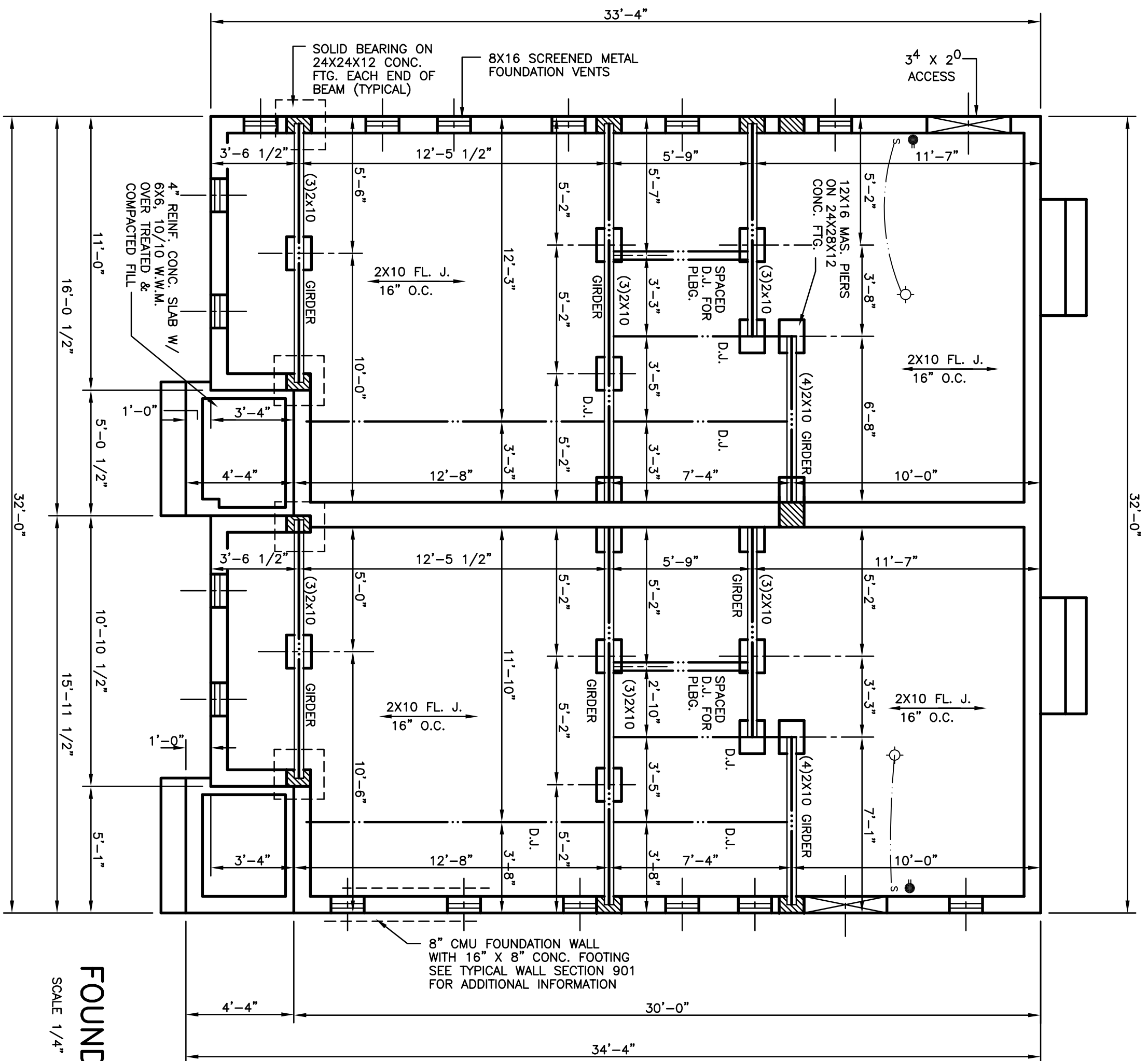
NO.
 2

MAT'L
 SHOWN

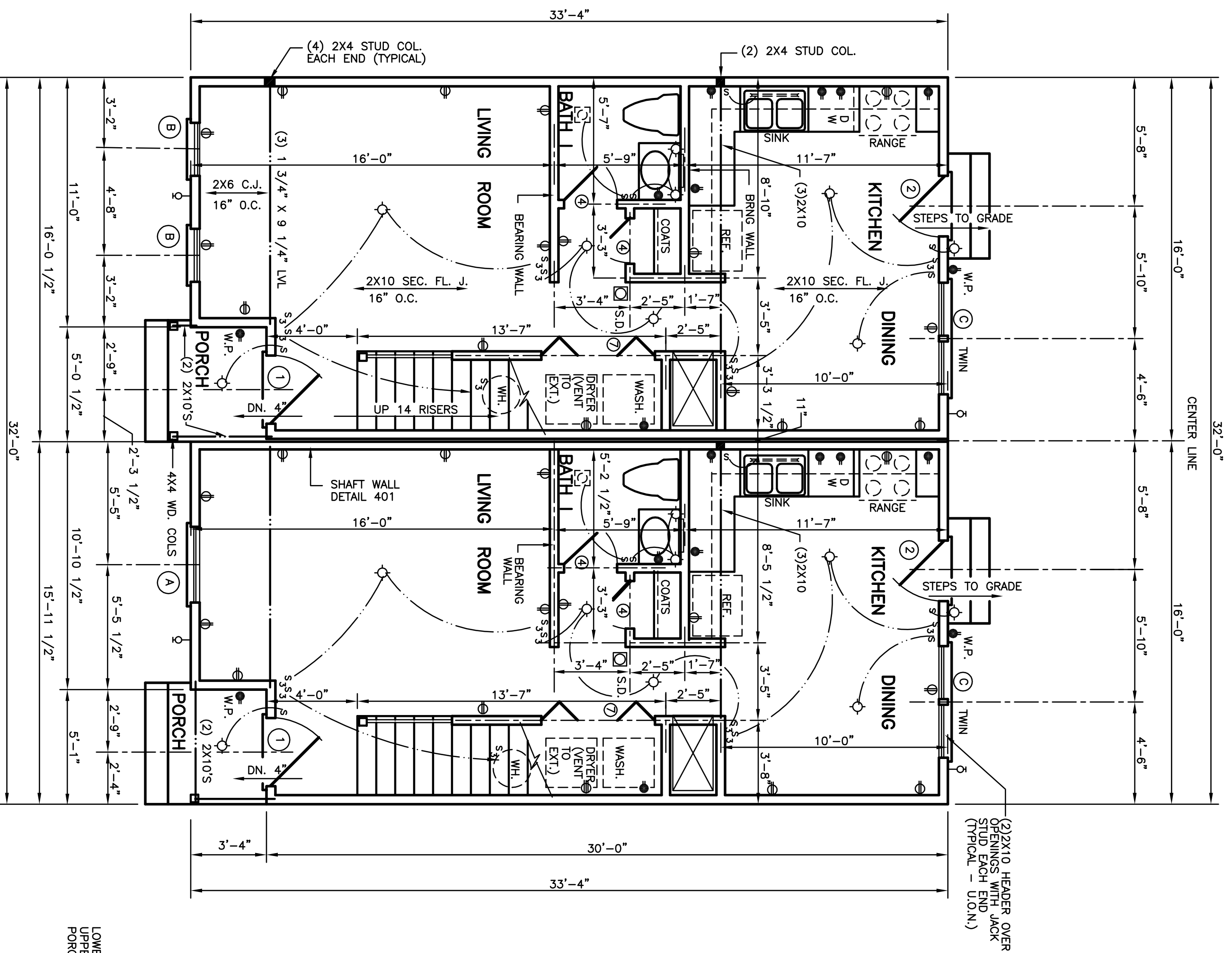
SHEET
 2 OF 9

REVISED 05-23-22

FOUNDATION VENTILATION REQUIREMENTS :
 1034 SQ. FT. +/- 150 = 6.89 SQ. FT. NET
 FREE AREA REQ'D.
 PROVIDE 16 VENTS WITH A MINIMUM OF 64
 SQUARE INCHES NET FREE AREA PER VENT.

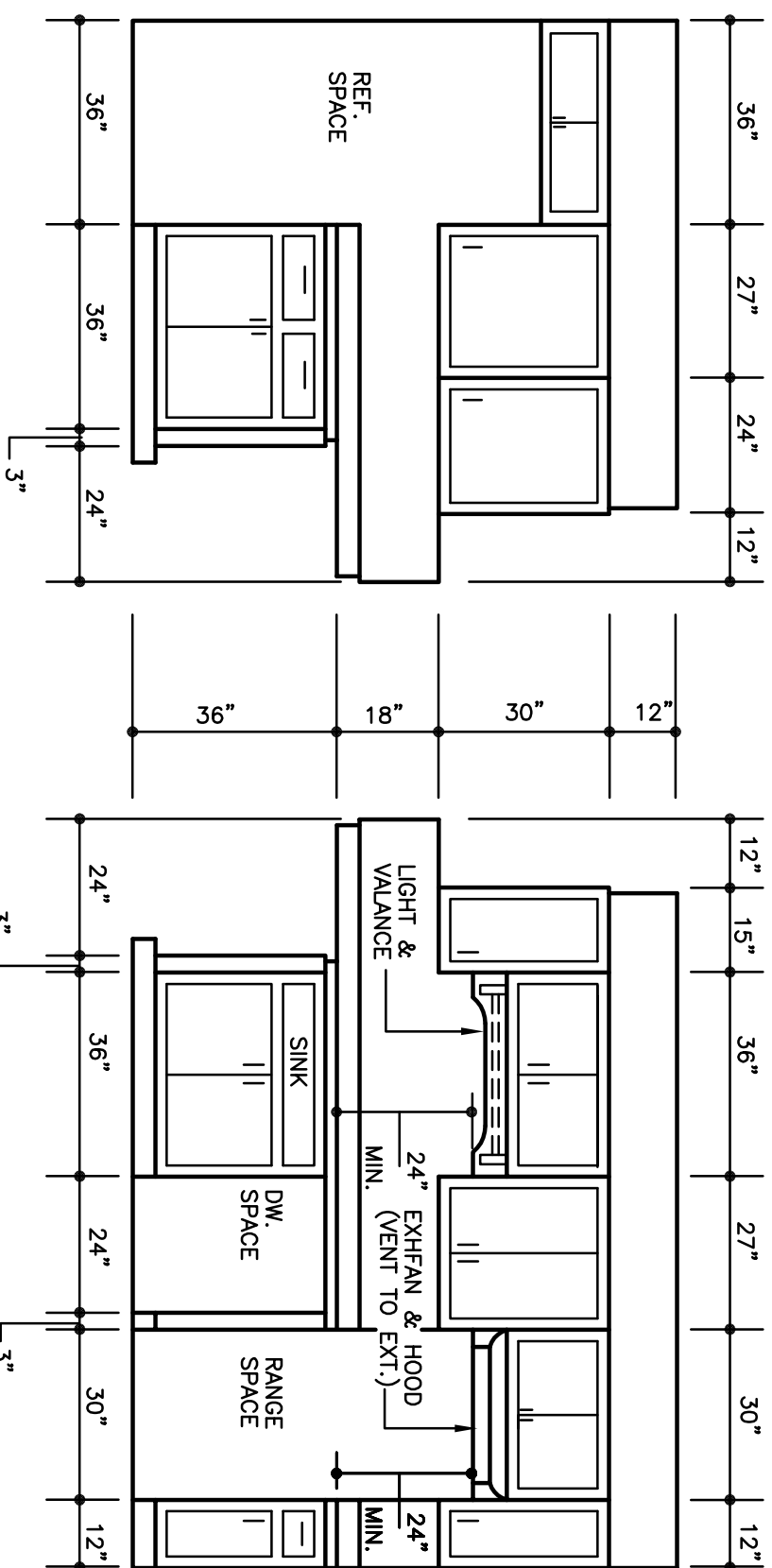


FOUNDATION PLAN
 SCALE 1/4" = 1'-0"



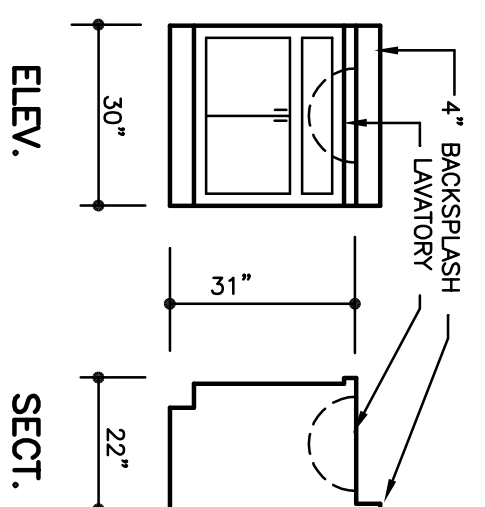
LOWER LEVEL HEATED AREA: 517 SQ. FT. PER UNIT
 UPPER LEVEL HEATED AREA: 480 SQ. FT. PER UNIT
 PORCH: 22 SQ. FT. PER UNIT

FIRST FLOOR PLAN
 SCALE 1/4" = 1'-0"



KITCHEN CABINET ELEVATIONS
 SCALE 3/8" = 1'-0"
 FOR SECTION THRU CABINETS, SEE DETAIL ON COVER SHEET.

VANITY DETAILS
 SCALE 3/8" = 1'-0"



WINDOW SCHEDULE				DOOR SCHEDULE				Standard Homes Plan Service, Inc.	
A	3'-0" X 5'-2" WD.D.H.	D	3'-0" X 4'-6" WD.D.H.	G	3'-0" X 6'-8" X 1 3/8"	7	5'-0" X 6'-8" X 1 3/8"	7200 SUNSET LAKE ROAD FLOUQUAY-VARINA, N.C. 27526 (919)562-5677	
B	2'-4" X 5'-2" WD.D.H.	E		H	2'-8" X 6'-8" X 1 3/4"	8	4'-0" X 6'-8" X 1 3/8"	DESIGNED FOR MATT TAYLOR	
C	2'-4" X 4'-6" WD.D.H.	F		K	2'-6" X 6'-8" X 1 3/8"	9	2'-0" X 6'-8" X 1 3/8"	PLAN NO. 2 MATERIAL 3 OF 9 SHEET	
				L				HORIZON	
				M				NO. 2 SID	
				N				REVISIONS	

REVISED 05-23-22

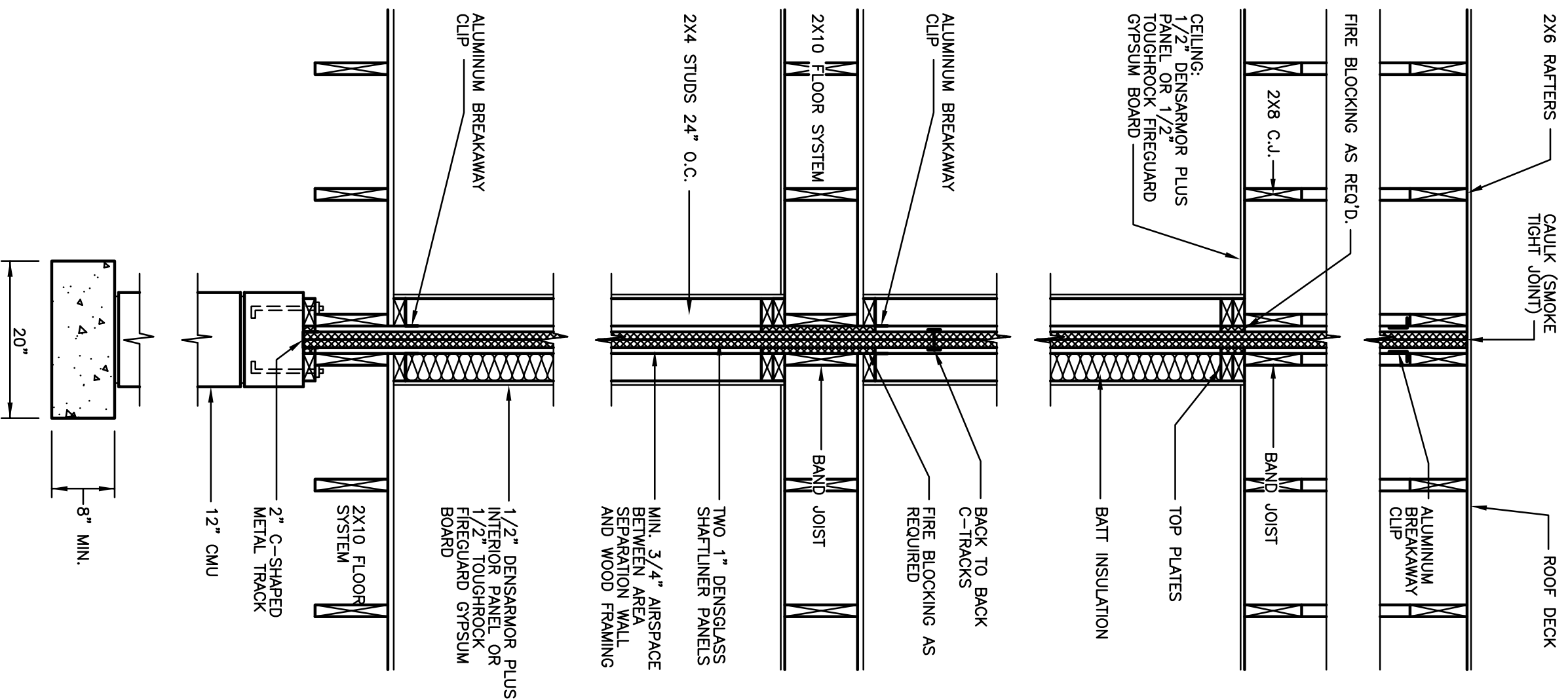
DENSGLASS SHAFTLINER AREA SEPARATION WALL
 BY GEORIGIA-PACIFIC GYPSUM

FIRE TEST : UL DESIGN U373 OR U375

2 HOUR 65 TO 69 STC

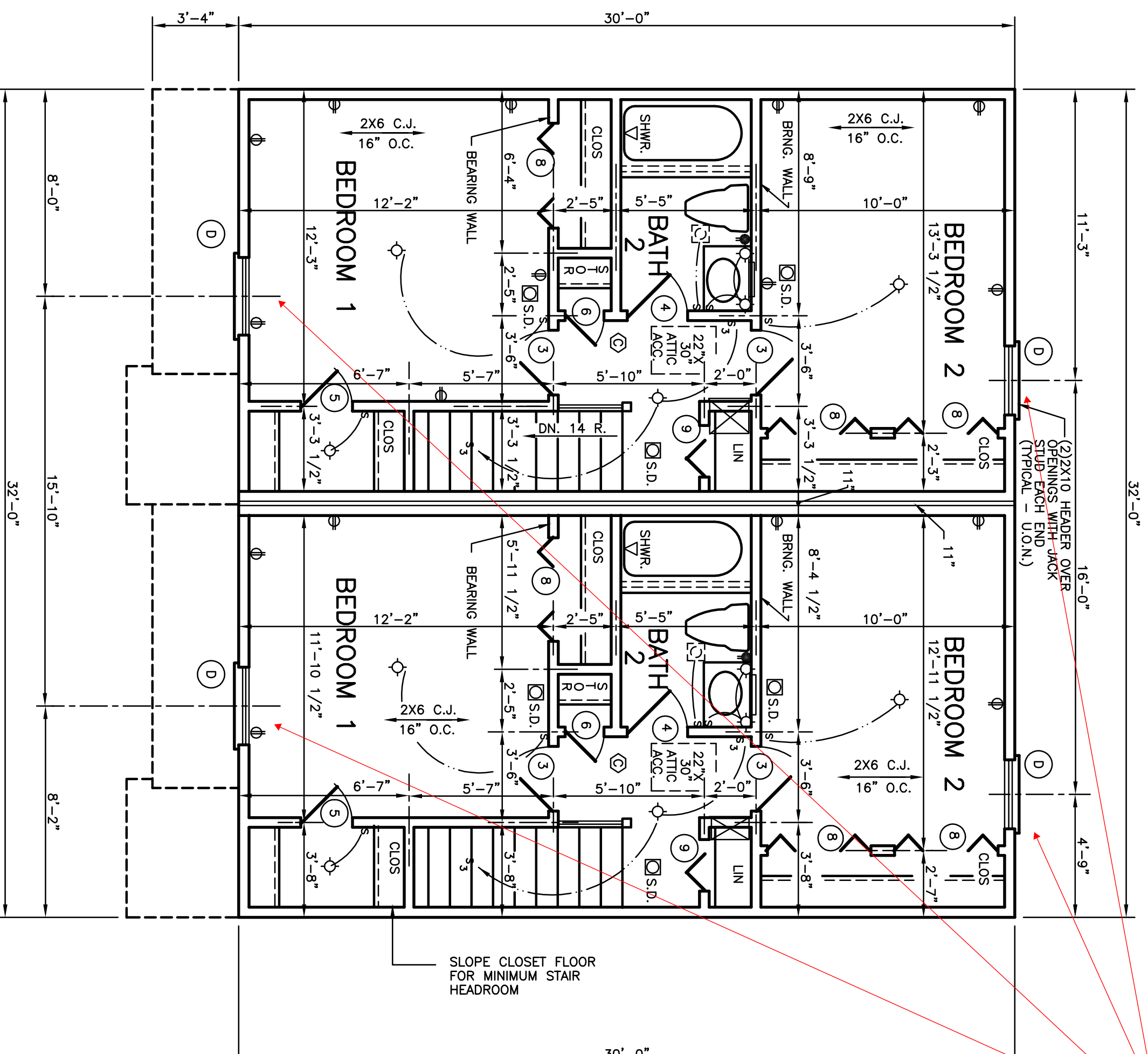
FIRE SOUND

TWO LAYERS 1" DENSGLASS SHAFTLINER INSERTED IN H-STUDS 24" O.C. MINIMUM 3/4" AIRSPACE ON BOTH SIDES MUST BE MAINTAINED BETWEEN LINER PANELS AND ADJACENT FRAMING.



XXX TWO-STORY SHAFT WALL DETAIL

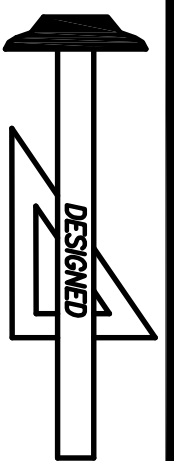
SCALE : 3/4" = 1'-0"



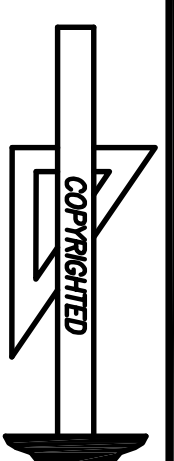
SECOND FLOOR PLAN

SCALE 1/4" = 1'-0"

Double hung windows this size may not meet egress requirements for opening height. Field verify.

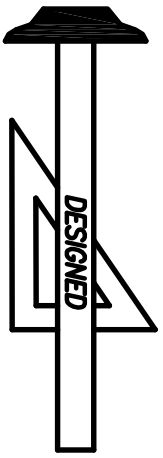


Standard Homes Plan Service, Inc.
 7200 SUNSET LAKE ROAD FUQUAY-VARINA, NC 27526
 (919)552-5677



DESIGNED FOR	PLAN	NO.	MAT'L	SHOWN	SHEET
	HORIZON	2	SID.		4 OF 9

REVISED 05-23-22

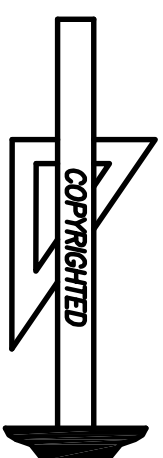


Standard Homes Plan Service, Inc.

7200 SUNSET LAKE ROAD FUQUAY-VARINA, NC 27526

(919)552-5677

SEE HOME DESIGN PREVIEWS ONLINE AT WWW.STANDARDHOMES.COM



DESIGNED FOR

MATT TAYLOR

PLAN

HORIZON

NO.

2

MAT'L

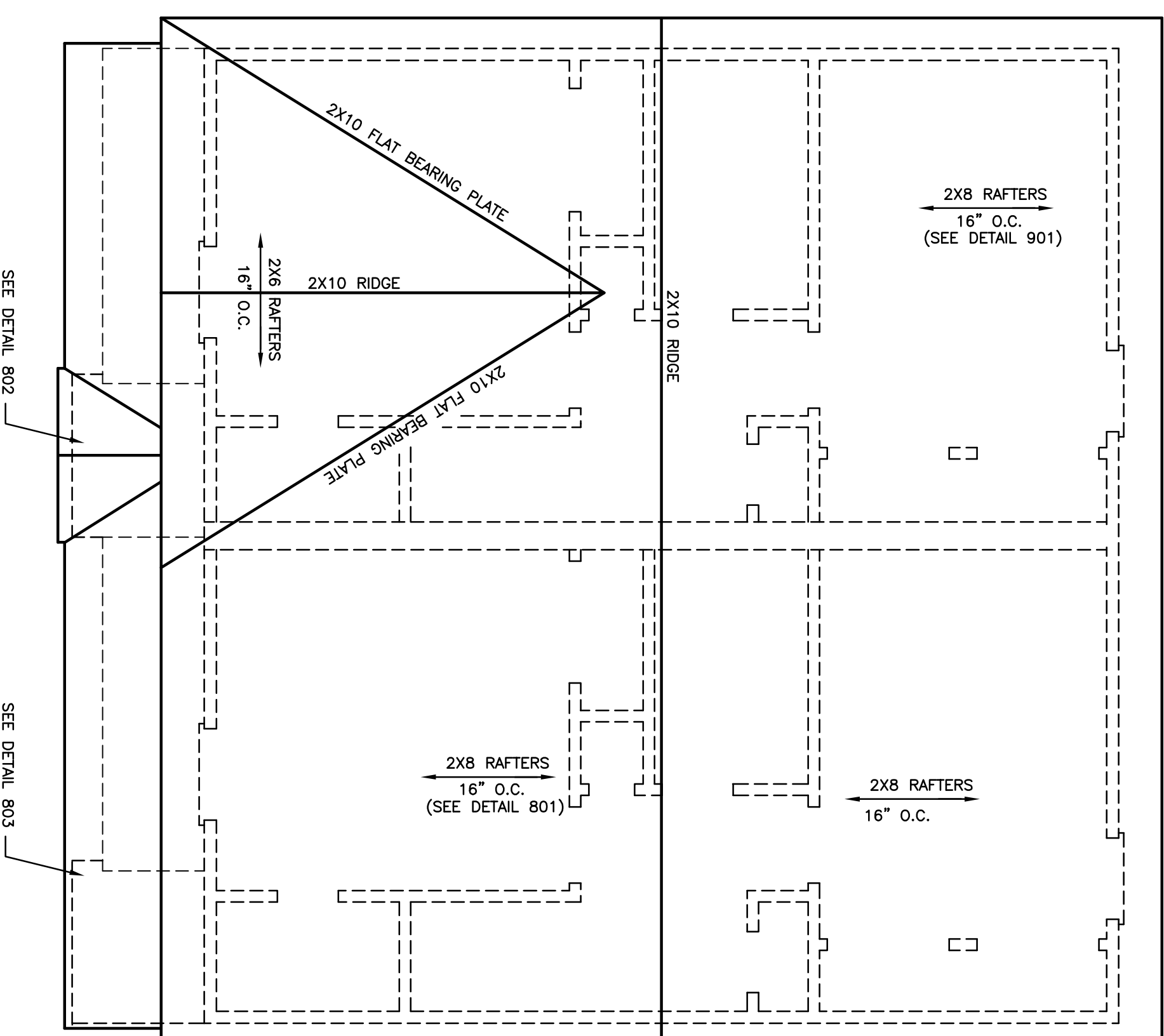
SID.

SHOWN

SHEET

5 OF 9

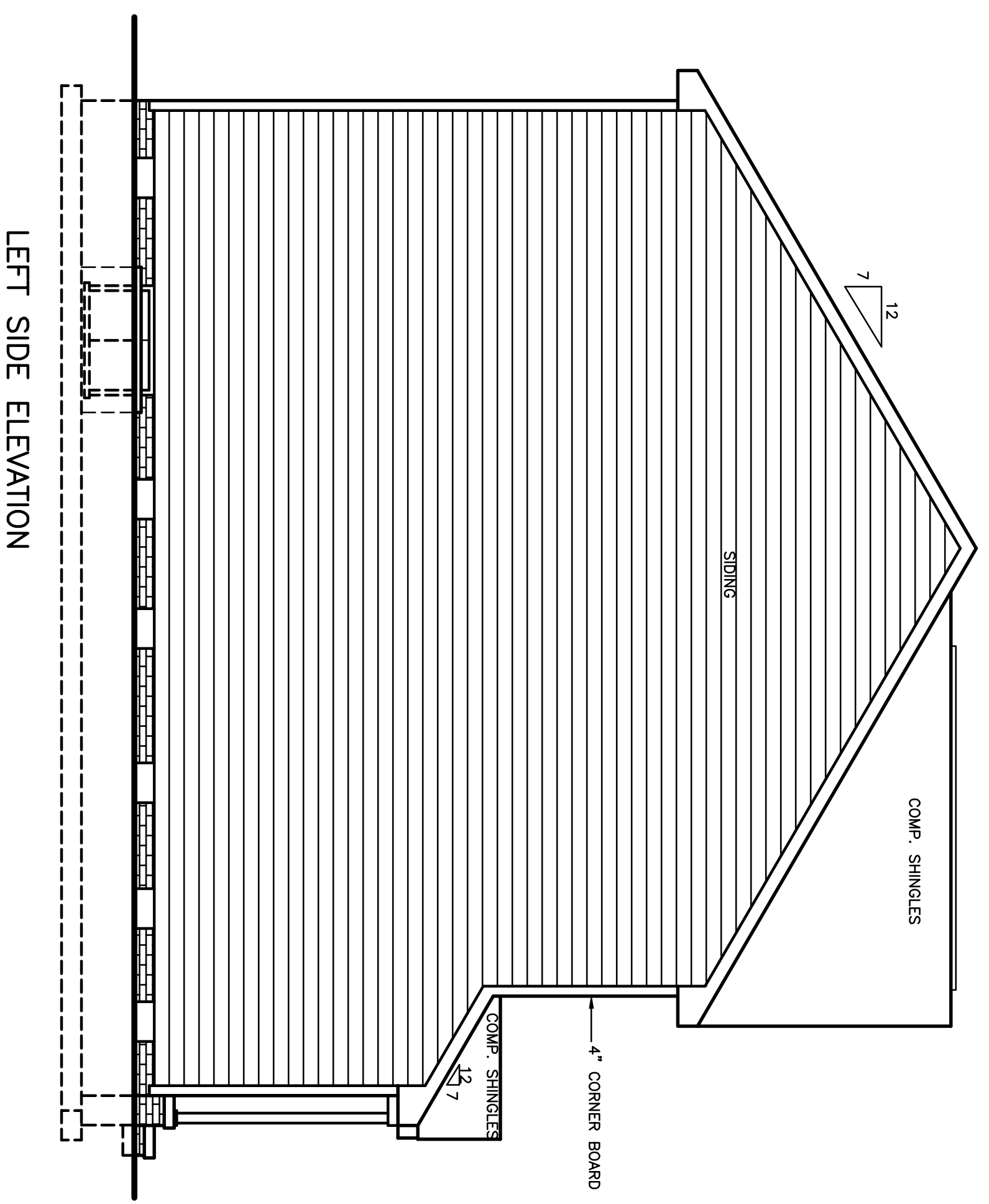
REVISED 05-23-22



ROOF PLAN

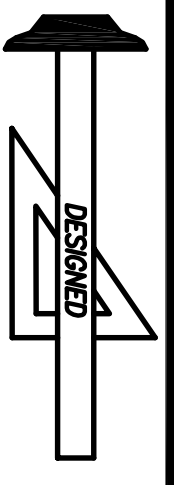
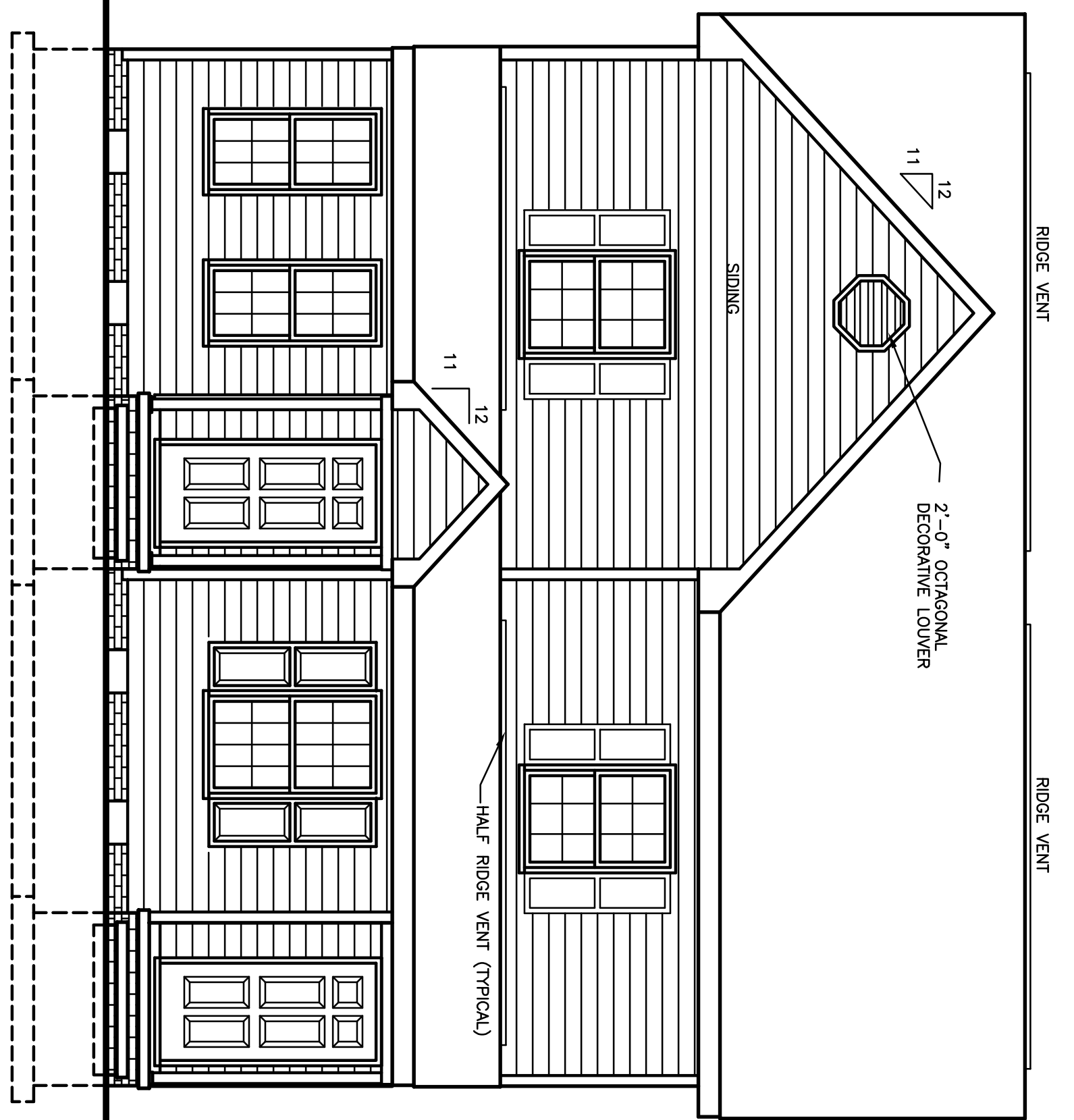
SCALE 1/4" = 1'-0"

ATTIC VENTILATION REQUIREMENTS :
1077 SQ. FT. +/- 150 = 718 SQ. FT. NET
FREE AREA REQUIRED

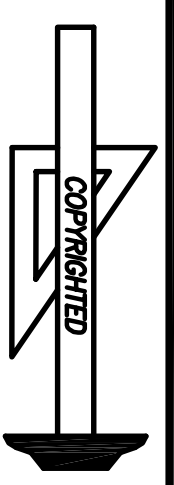


PROVIDE GUTTERS, DOWNSPOUTS AND SPLASHPADS ACCORDING TO LOCAL CODE AND RAINFALL CONDITIONS. ALL SPLASHPADS SHALL CARRY WATER 60" FROM BUILDING.

FRONT ELEVATION
SCALE 1/4" = 1'-0"

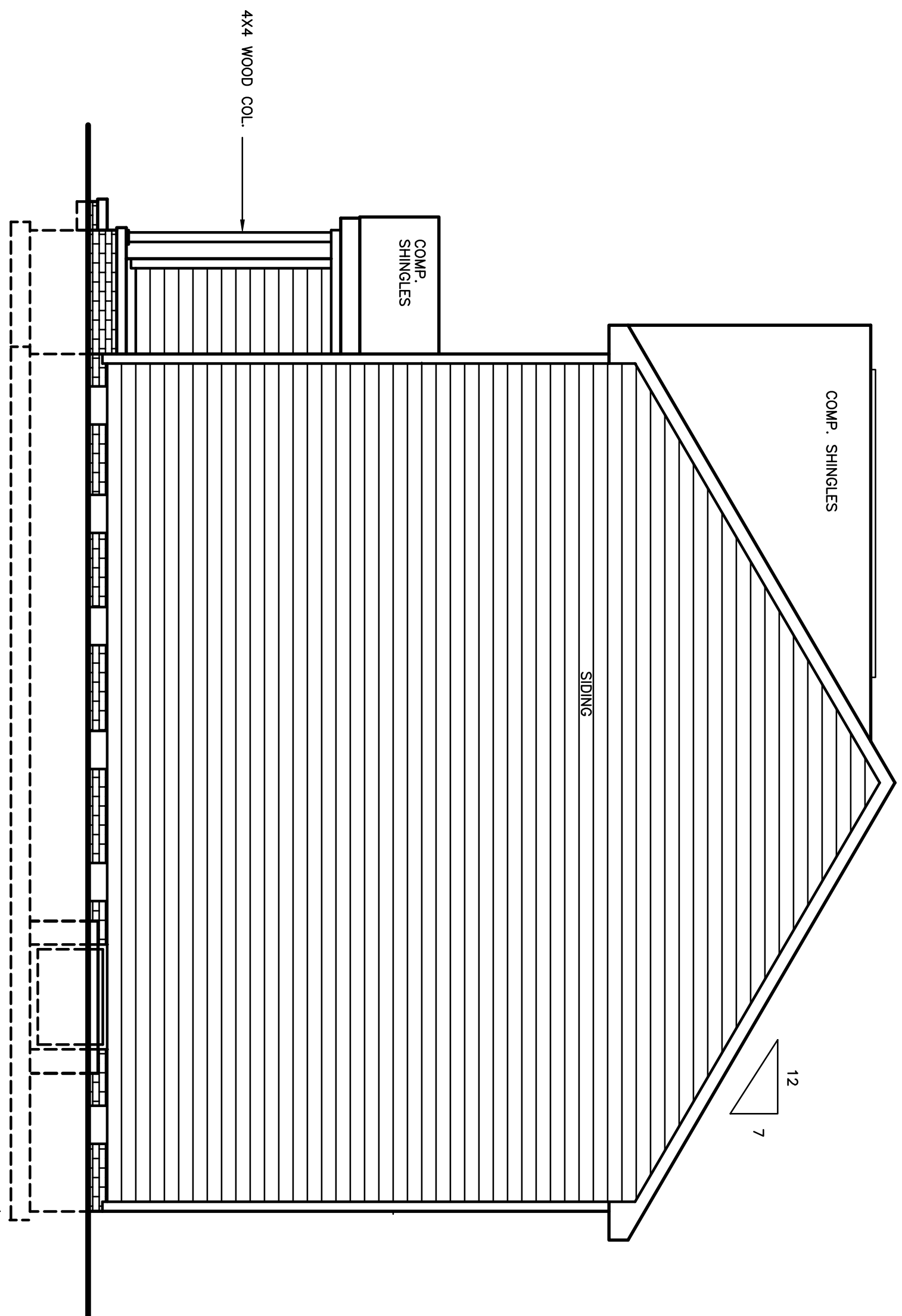


Standard Homes Plan Service, Inc.
7200 SUNSET LAKE ROAD FUQUAY-VARINA, NC 27526 (919)552-5677

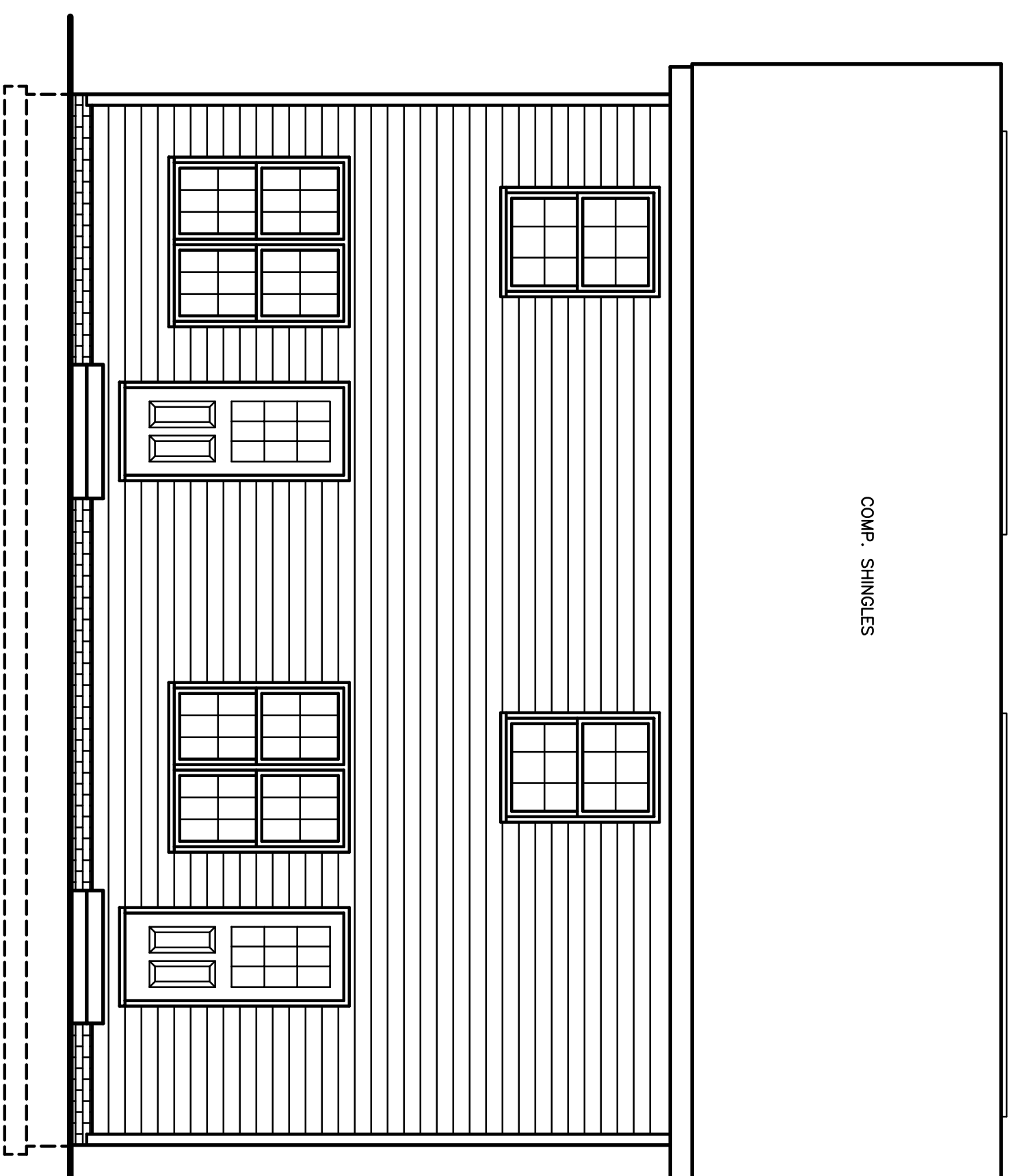


DESIGNED FOR	PLAN	NO.	MAT'L	SHOWN	SHEET
MATT TAYLOR	HORIZON	2	SID		6 OF 9

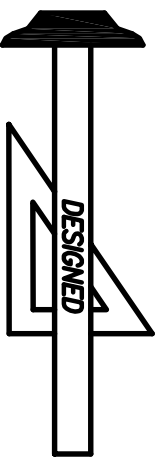
REVISED 05-23-22



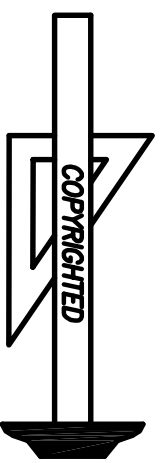
RIGHT SIDE ELEVATION



REAR ELEVATION
SCALE 1/4" = 1'-0"

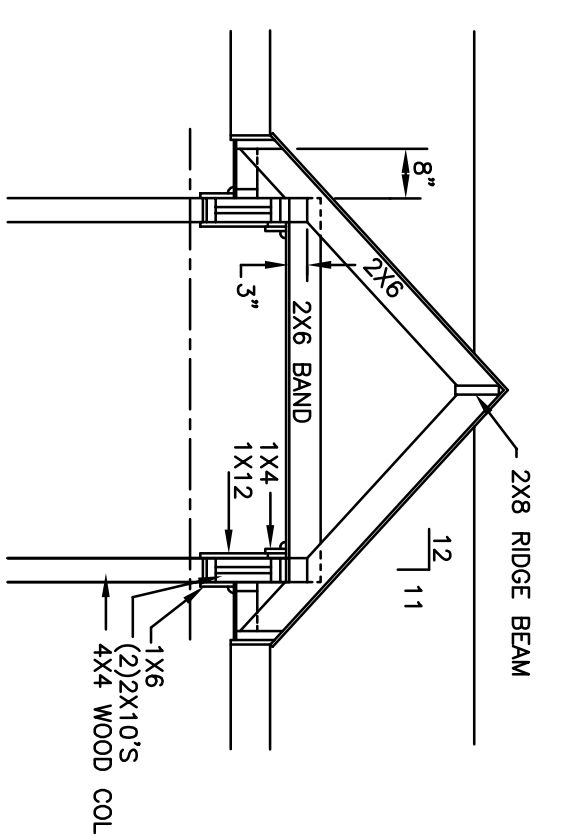


Standard Homes Plan Service, Inc.
7200 SUNSET LAKE ROAD FUQUAY-VARINA, NC 27526 (919)552-5677

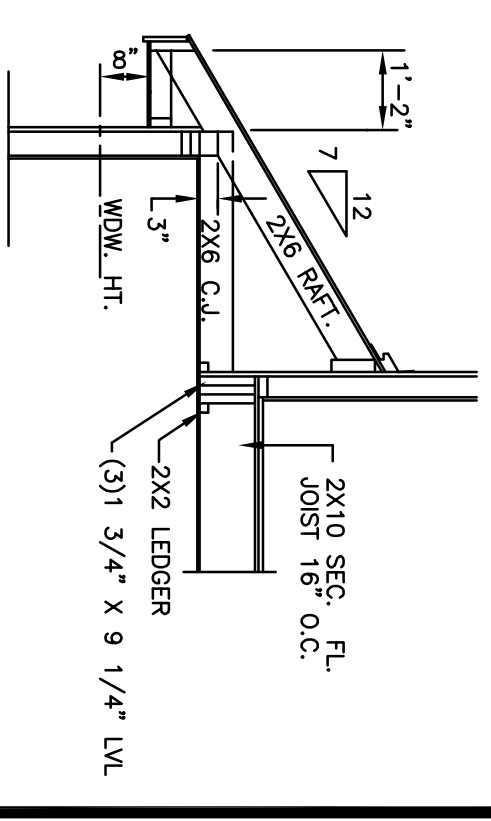


DESIGNED FOR	PLAN	NO.	MAT'L	SHOWN	SHEET
MATT TAYLOR	HORIZON	2	SID		7 OF 9

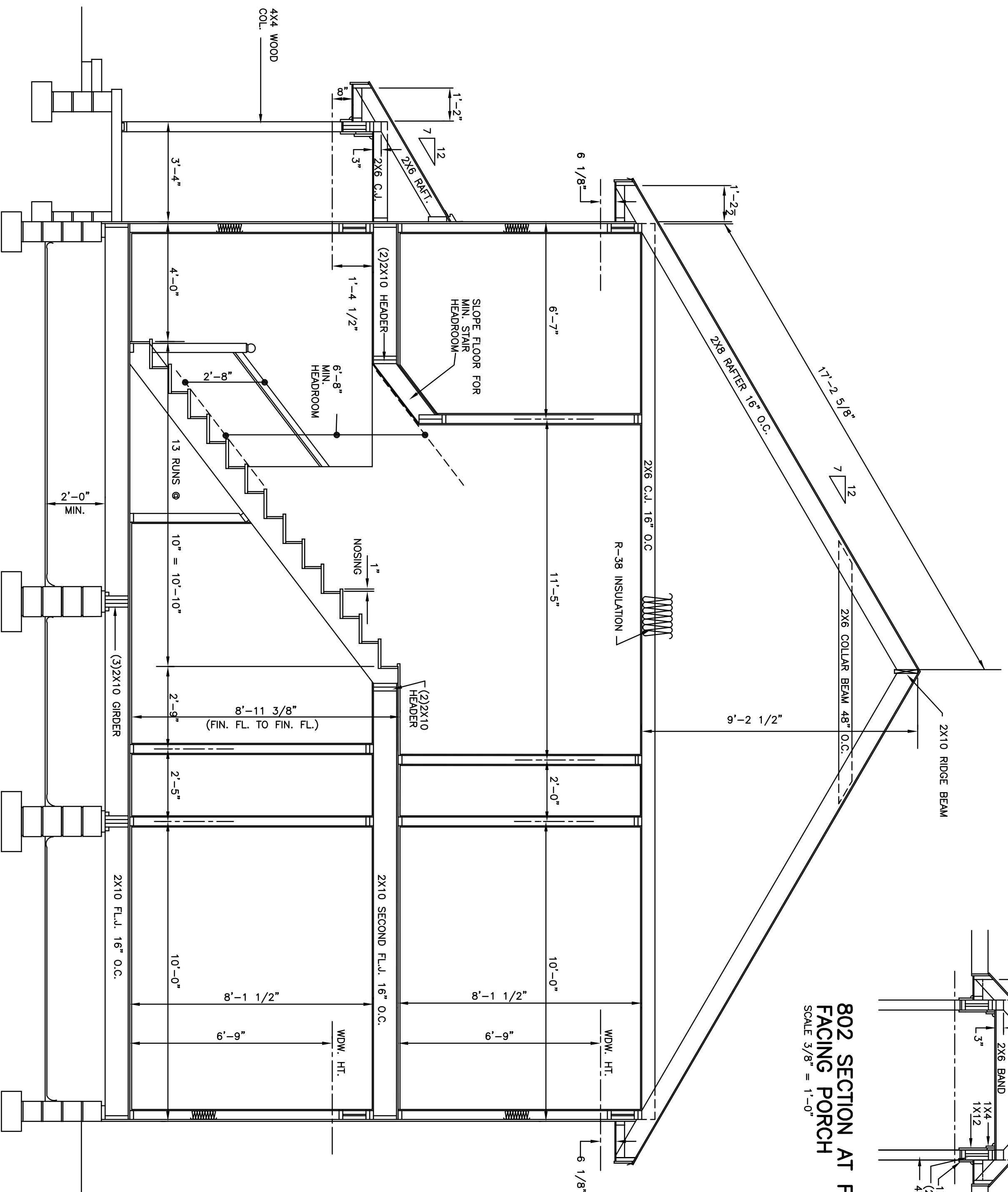
REVISED 05-23-22



802 SECTION AT FRONT FACING PORCH
SCALE 3/8" = 1'-0"



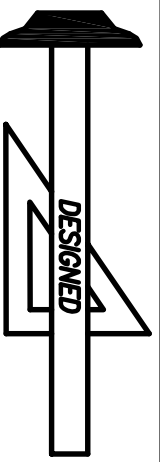
803 SECTION THRU FRONT SHED ROOF
SCALE 3/8" = 1'-0"



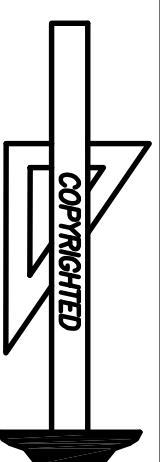
801 TRANSVERSE SECTION

SCALE 3/8" = 1'-0"

FOR MORE INFORMATION SEE SHEET 9 OF 9.



Standard Homes Plan Service, Inc.
7200 SUNSET LAKE ROAD FUQUAY-VARINA, NC 27526 (919)552-5677



DESIGNED FOR
MATT TAYLOR

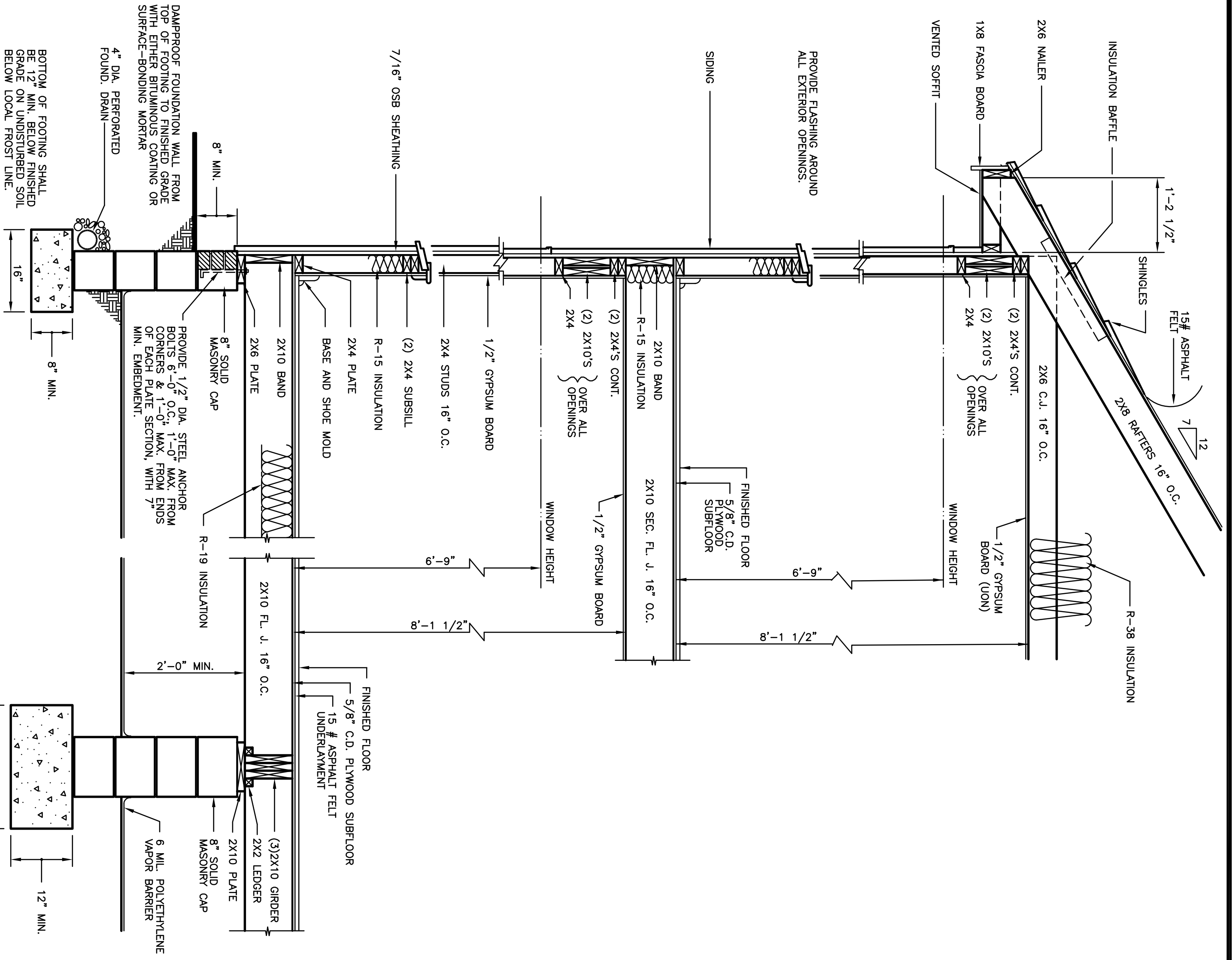
PLAN
HORIZON

NO.
2

MAT'L SHOWN
SID

SHEET
8 OF 9

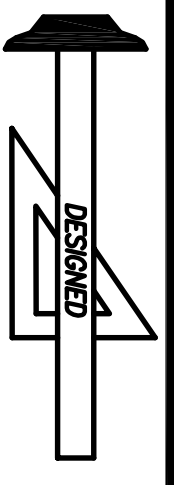
REVISED 05-23-22



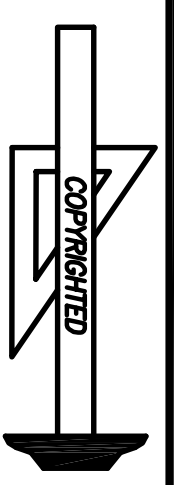
901 TYPICAL WALL SECTION

SCALE 3/4"=1'-0"

SECTION THRU GIRDER



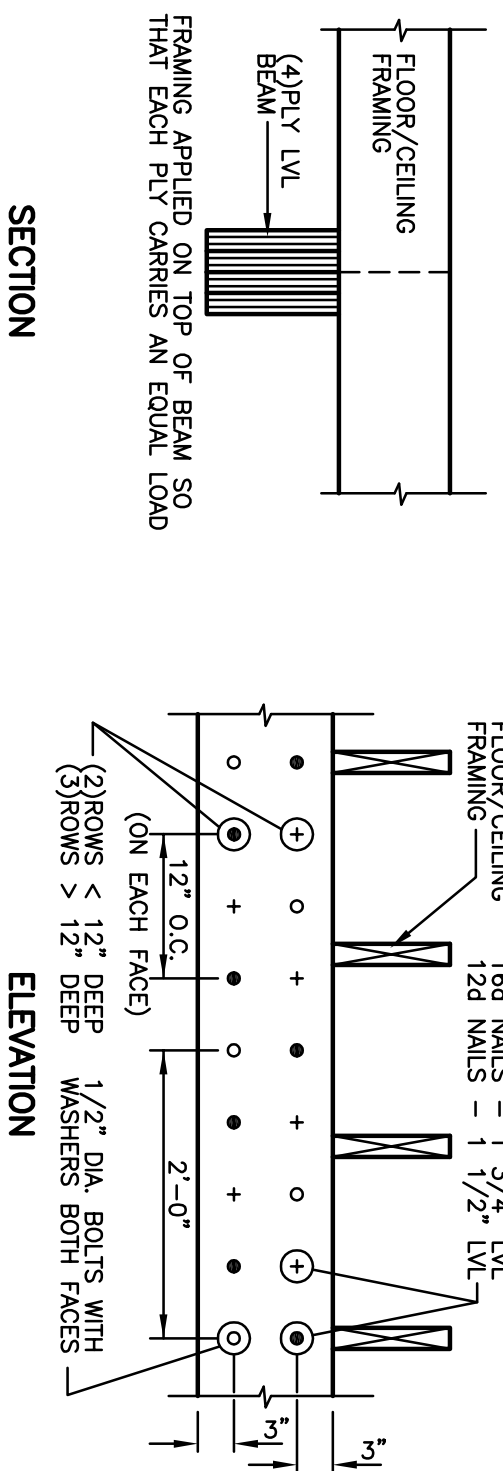
Standard Homes Plan Service, Inc.
 7200 SUNSET LAKE ROAD FUQUAY-VARINA, NC 27526 (919)552-5677



DESIGNED FOR	PLAN	NO.	MAT'L SHOWN	SHEET
MATT TAYLOR	HORIZON	2	SID	9 OF 9

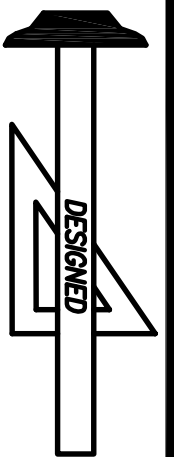
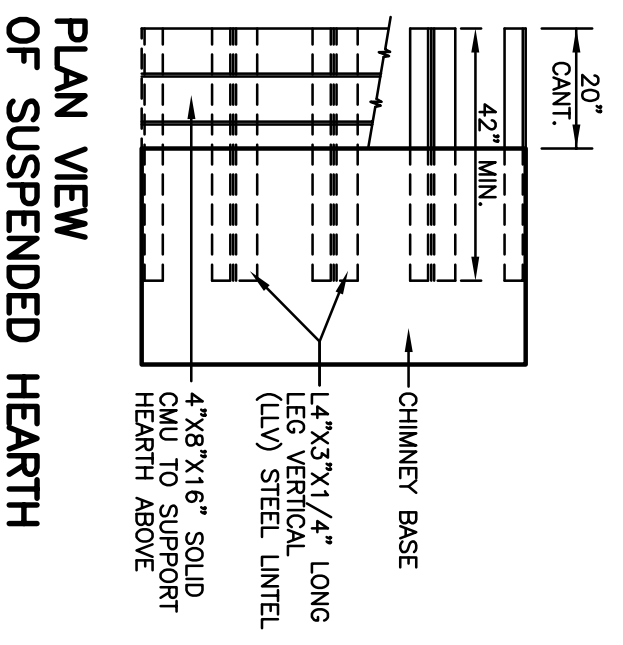
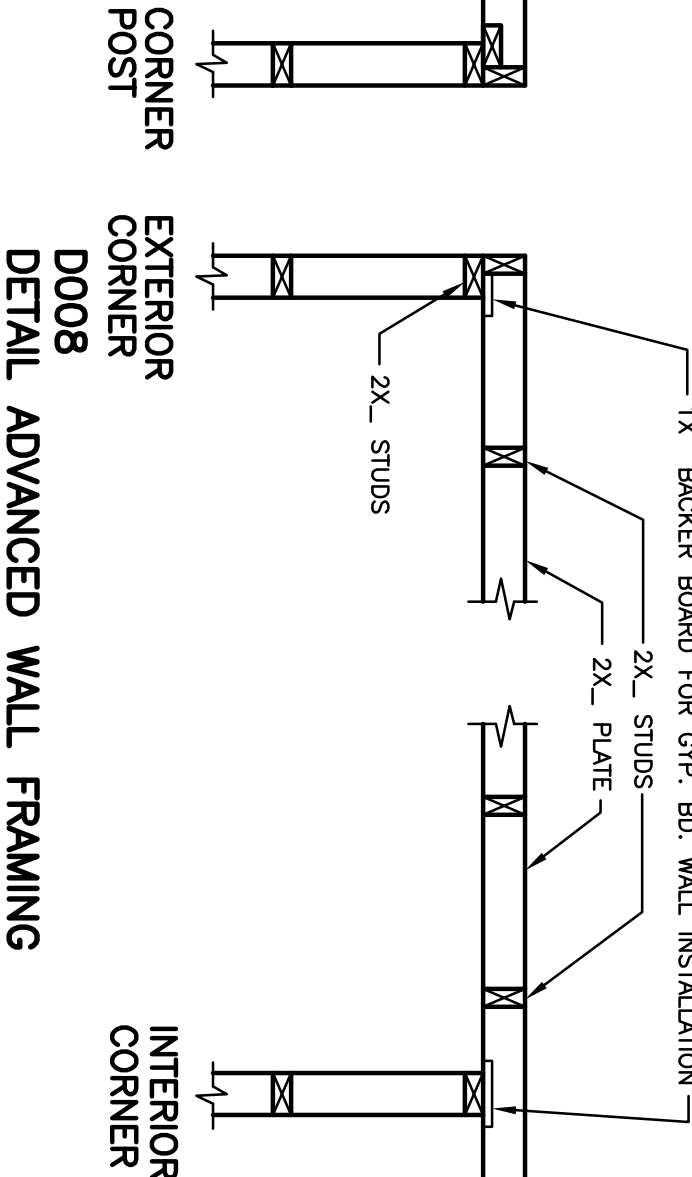
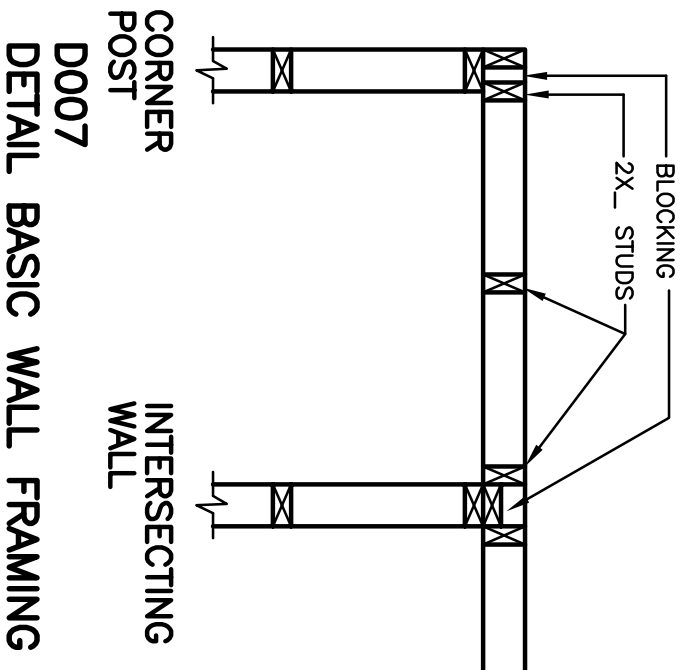
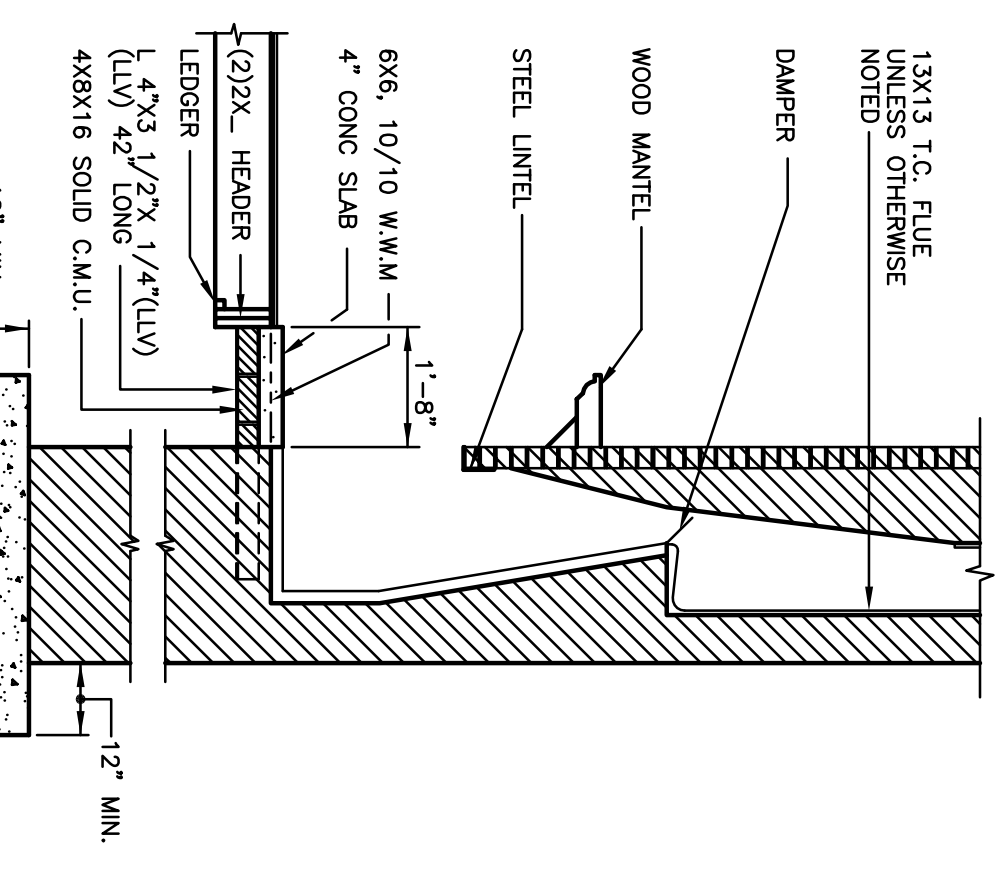
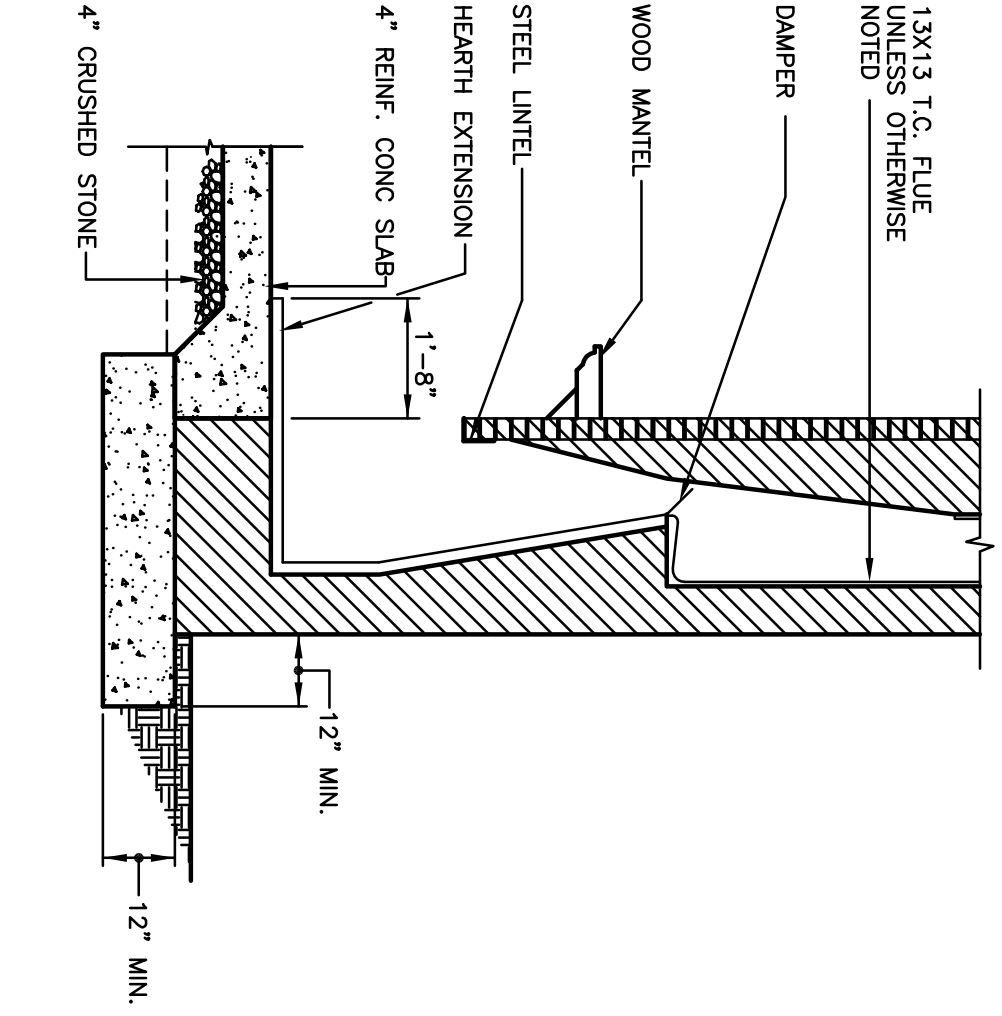
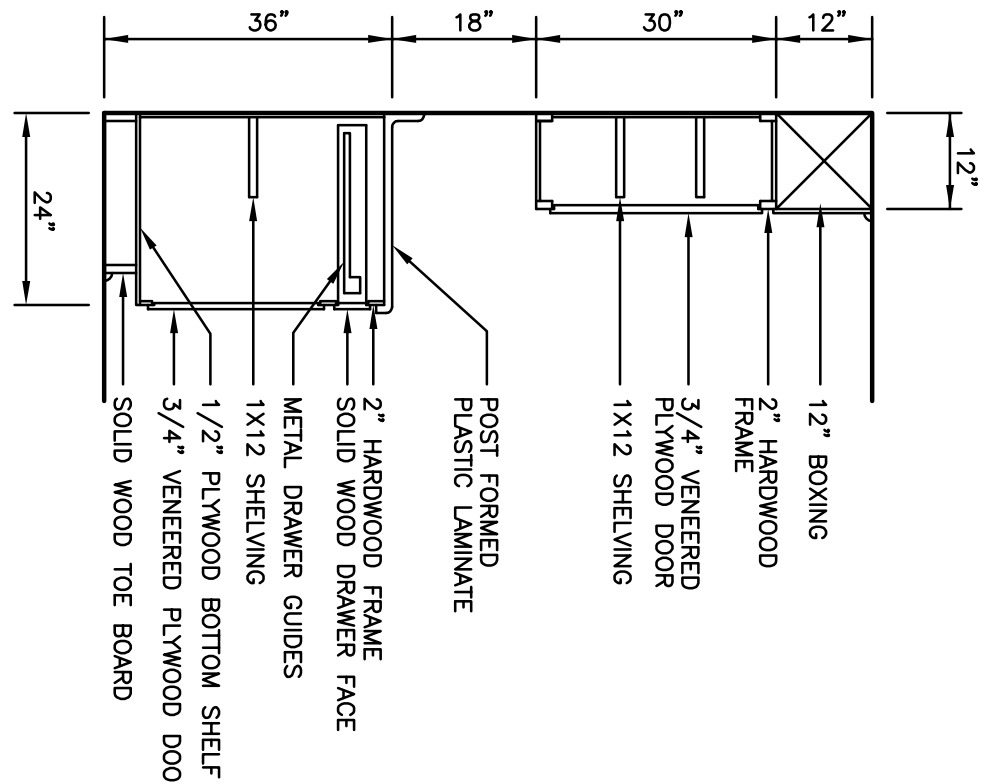
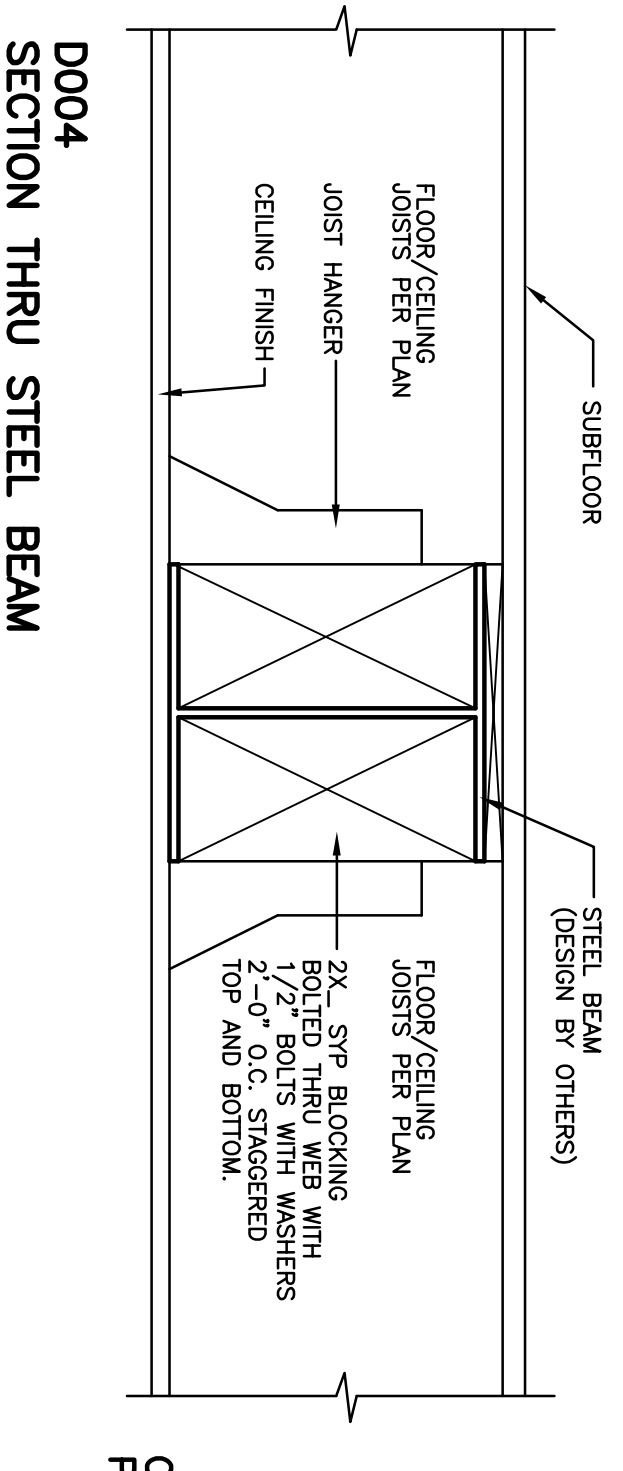
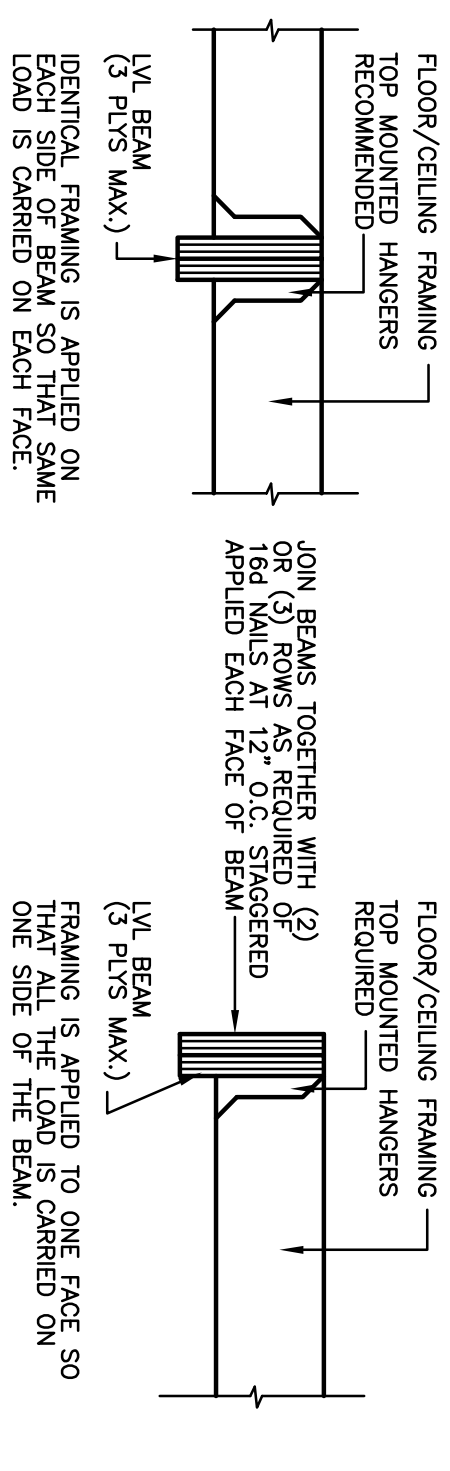
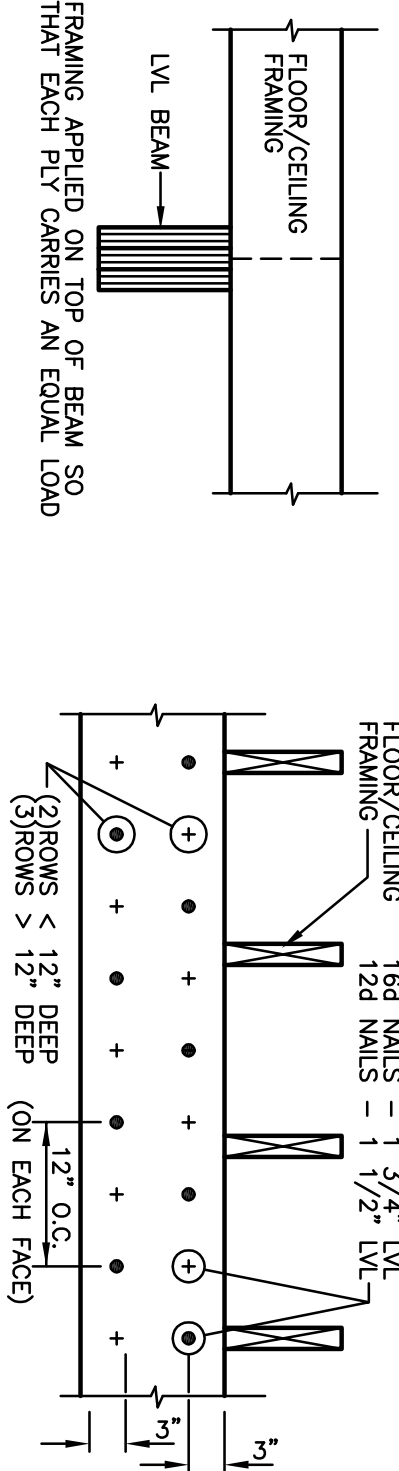
REVISED 05-23-22

CONNECTION OF MULTIPLE PLY BEAMS
(INSTALLATION & CONNECTION OF BEAMS SHALL BE ACCORDING TO MANUFACTURERS SPECIFICATIONS)

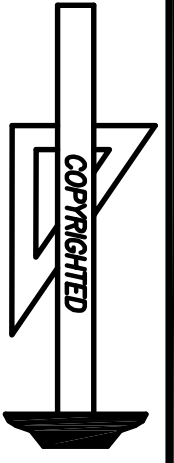


MINIMUM UNIFORMLY DISTRIBUTED LIVE LOADS (PSF)	
USE	LIVE LOAD
UNINHABITABLE ATTICS WITHOUT STORAGE	10
UNINHABITABLE ATTICS WITH LIMITED STORAGE	20
HABITABLE ATTICS AND ATTICS SERVED WITH FIXED STAIRS	30
BALCONIES AND DECKS	40
ROOMS OTHER THAN SLEEPING ROOMS	40
SLEEPING ROOMS	30
STAIRS	40

ALLOWABLE DEFLECTION OF STRUCTURAL MEMBERS	
(NOTE : L = SPAN LENGTH)	
STRUCTURAL MEMBER	ALLOWABLE DEFLECTION
RAFTERS HAVING SLOPES GREATER THAN 3:12 WITH FINISHED CEILING NOT ATTACHED TO RAFTERS	L/180
FLOORS	L/360
CEILING WITH BRITTLE FINISHES (INCLUDING PLASTER AND STUCCO)	L/360
CEILING WITH FLEXIBLE FINISHES (INCLUDING GYPSUM BOARD)	L/240
ALL OTHER STRUCTURAL MEMBERS	L/240
LINTELS SUPPORTING MASONRY VENEER WALLS	L/600



Standard Homes Plan Service, Inc.
7200 SUNSET LAKE ROAD FLOUAY-VARINA, NC 27526
SEE HOME DESIGN PREVIEWER ONLINE AT WWW.STANDARDHOMES.COM



STANDARD CONSTRUCTION DETAILS

