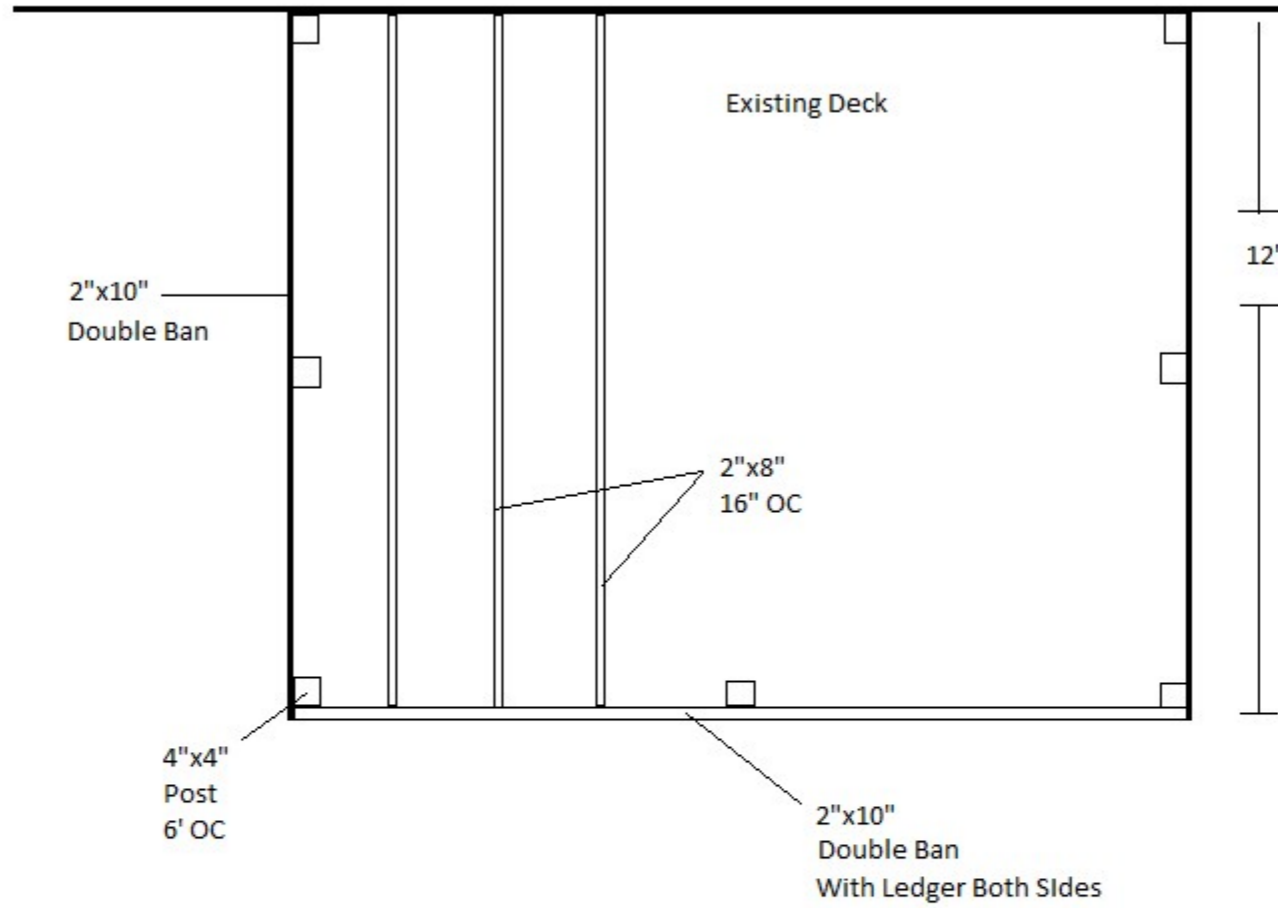
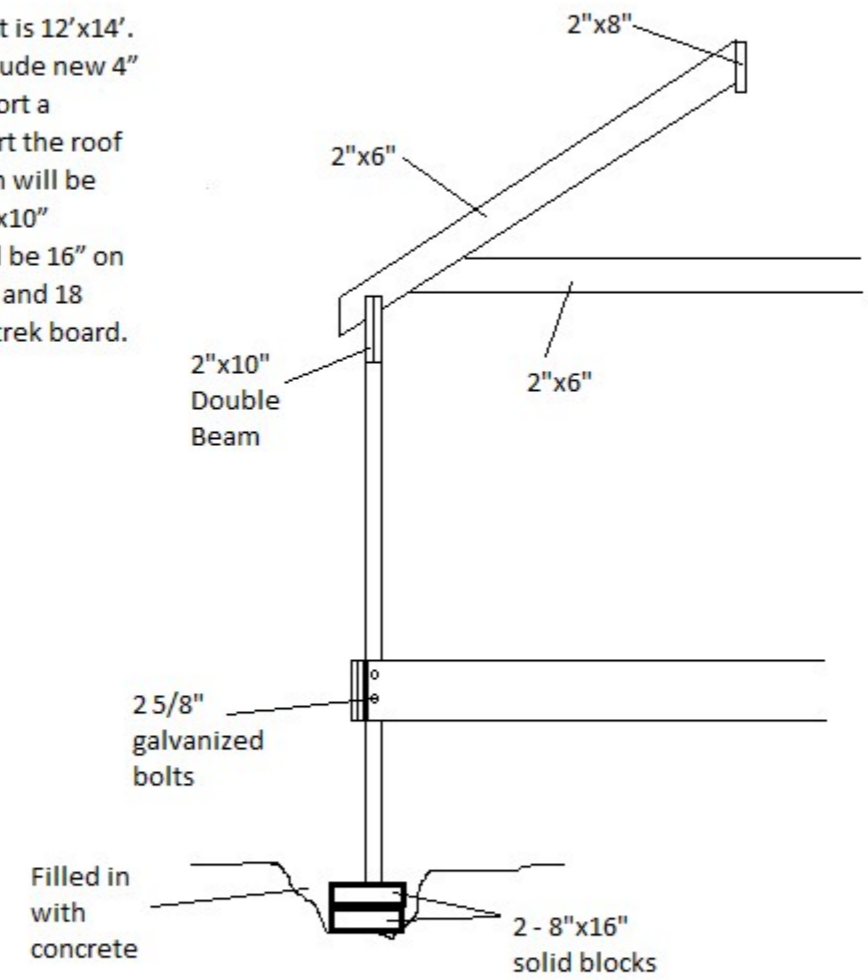


Existing Structure



General Notes

There is an existing deck structure that is 12'x14'. The porch covering (addition) will include new 4" x4" post placed 6' on center that support a double 2"x10" beam which will support the roof structure. All post along the outer ban will be run from their footing to the upper 2"x10" double beam. All joist and rafters will be 16" on center. Footings will be 12"x16" wide and 18 inches deep. The subflooring will be trek board.



Deck Section