

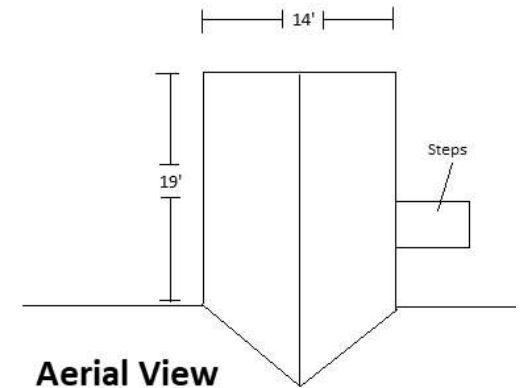
Left Elevation

General Notes

Roof structure will be 3" - 12" pitch constructed from 2"x6" rafters and joists 16" OC that are tied to a 2"x8" ridge beam. 7/16" OSB board will be used for roof sheeting.

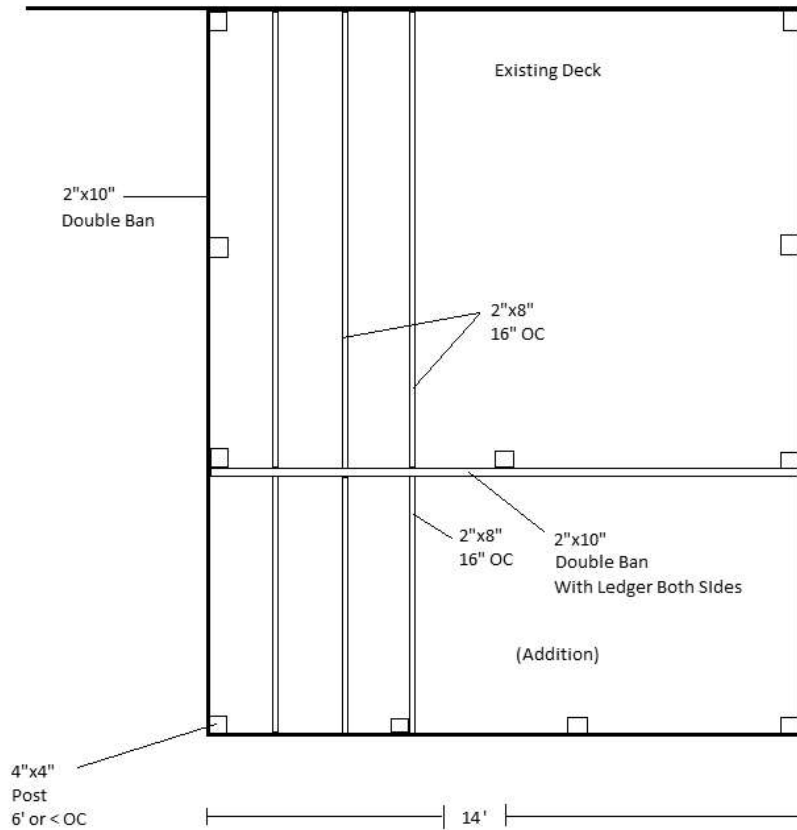
36" half wall as rail around the perimeter of the deck.

Right elevation no door or steps.



Aerial View

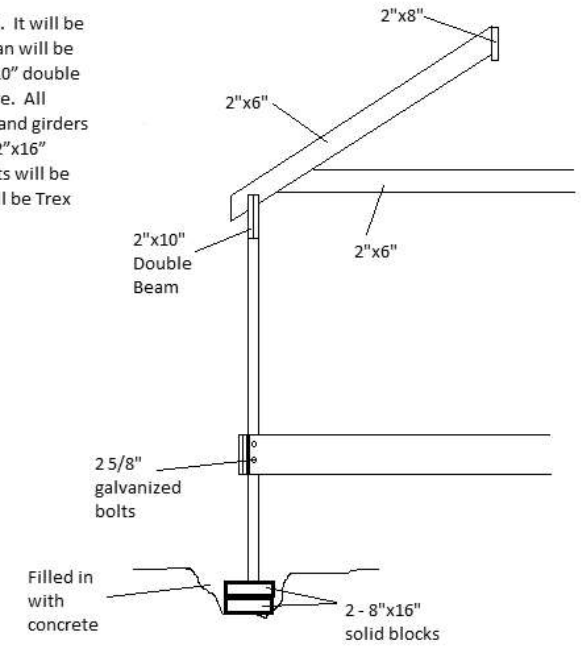
Existing Structure



General Notes

There is an existing deck that is 12' x 14'. It will be extended 6'. All post along the outer ban will be run from their footing to the upper 2"x10" double beam that will support the roof structure. All joists will be 16" on center and all bans and girders will be 2"x10" doubled. Footings will 12"x16" wide and 18 inches deep. All outer posts will be 6' on center or less. The subflooring will be Trex board.

16x16 min. per Appendix M



Deck Section

