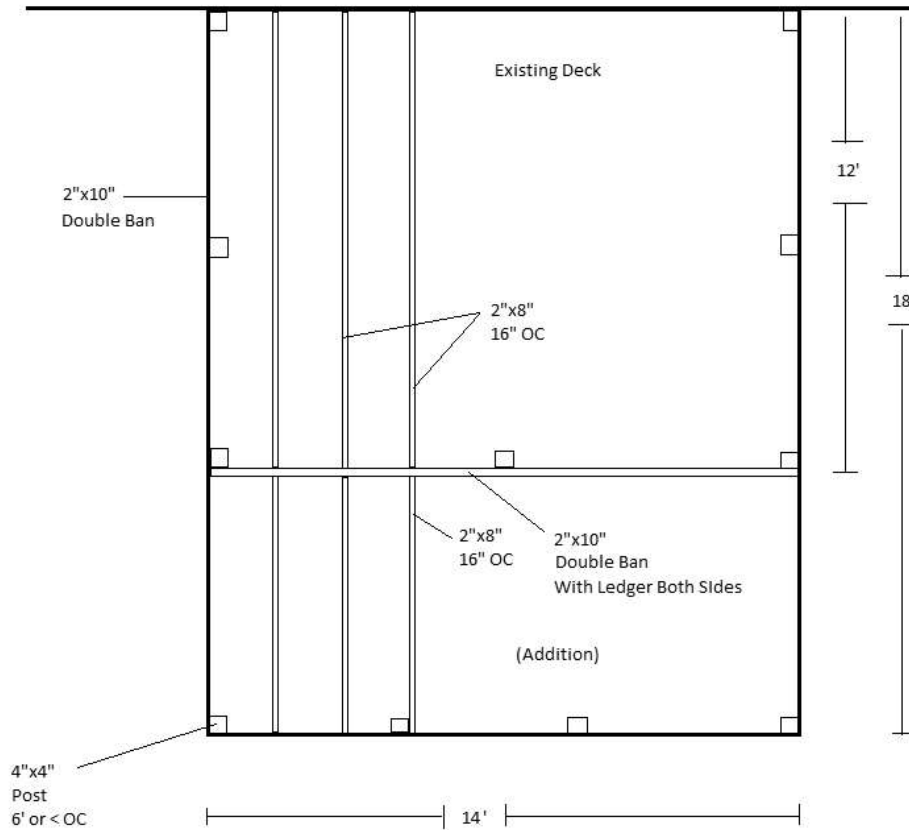
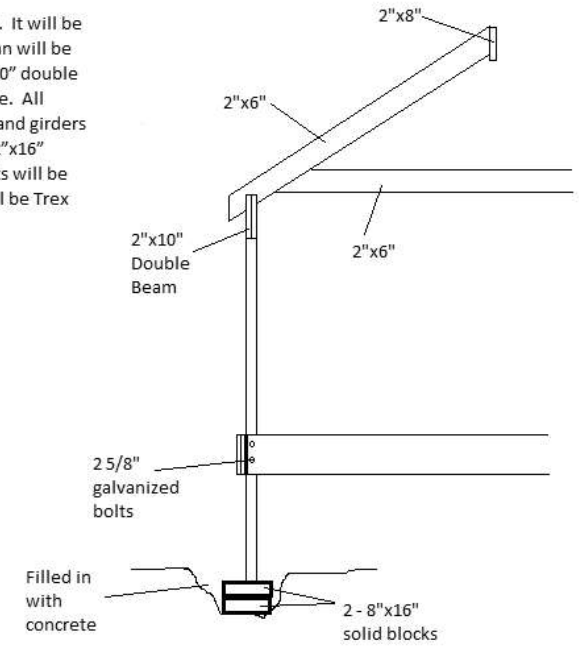


Existing Structure



General Notes

There is an existing deck that is 12' x 14'. It will be extended 6'. All post along the outer ban will be run from their footing to the upper 2"x10" double beam that will support the roof structure. All joists will be 16" on center and all bans and girders will be 2"x10" doubled. Footings will 12"x16" wide and 18 inches deep. All outer posts will be 6' on center or less. The subflooring will be Trex board.



Deck Section

